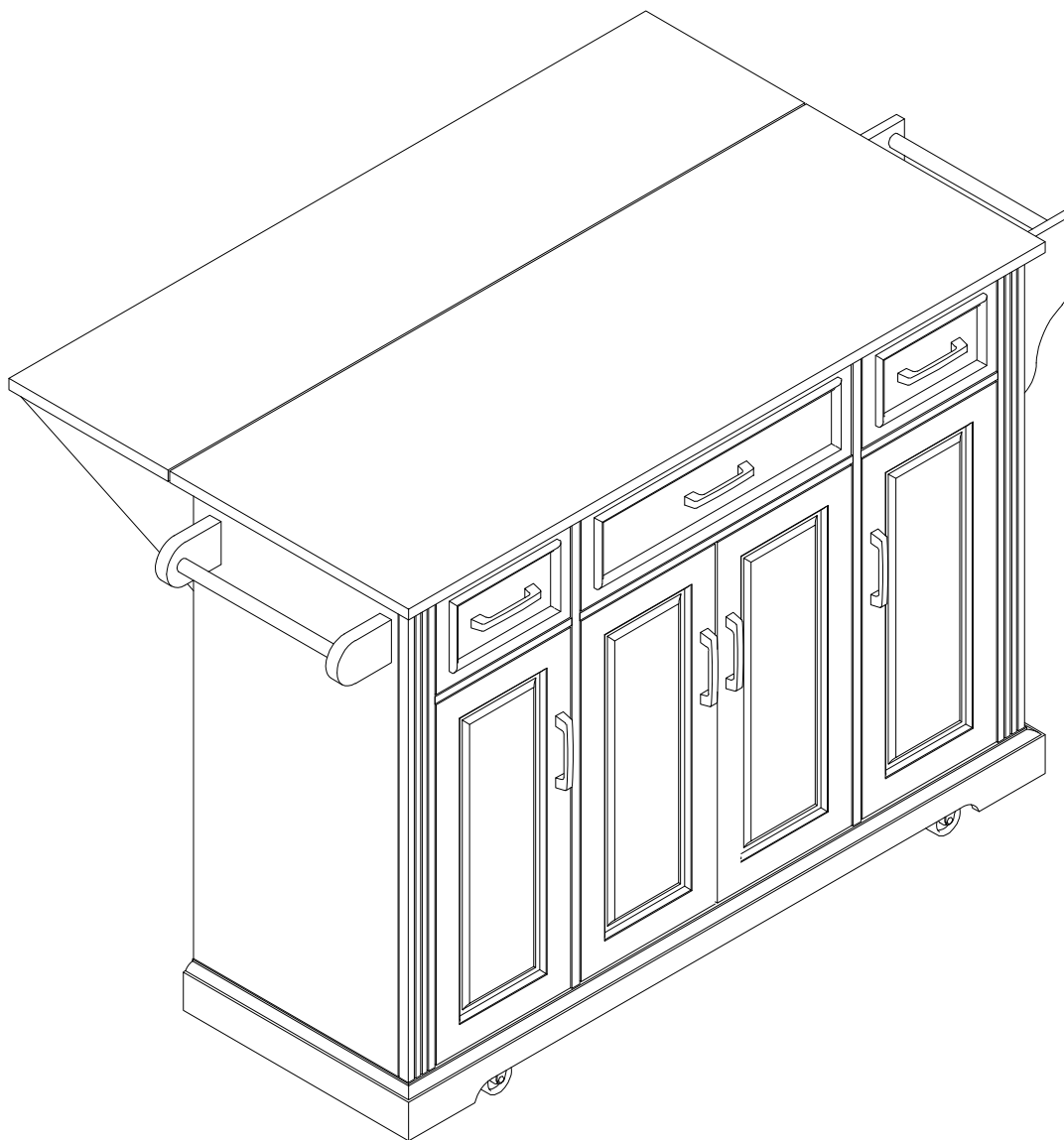


# Kitchen Island Cart

Assembly Instructions - Please keep for future reference



Important - Please read these instructions fully before starting assembly



# Safety and Care Advice

**Important – Please read these instructions fully before starting assembly**

- Check you have all the components and tools listed on the following pages.
- Remove all fittings from the plastic bags and separate them into their groups.
- Keep children and animals away from the work area, small parts could choke if swallowed.
- Make sure you have enough space to layout the parts before starting.

- During assembly do not stand or put weight on the product, this could cause damage.
- Assemble the item as close to its final position (in the same room) as possible.
- Assemble on a soft level surface to avoid damaging the unit or your floor.
- Parts of the assembly will be easier with 2 people.



power drill is set on a low torque setting.

- To reduce the likelihood of damaging your product please ensure that your

## Care and maintenance

- Only clean using a damp cloth and mild detergent, do not use bleach or abrasive cleaners.
- From time to time check that there are no loose screws on this unit.
- This product should not be discarded with household waste. Take to your local authority waste disposal centre.

## Handy Hints

- Assemble all parts and bolts loosely during assembly, only once the product is complete should you fully tighten the bolts
- Regularly check and ensure That all bolts and fittings are tightened properly.

**WARNING**  
**In order to help prevent overturning – please follow these instructions**

To help prevent product toppling over please follow the below steps:-


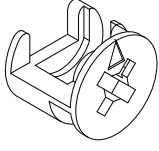
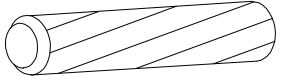
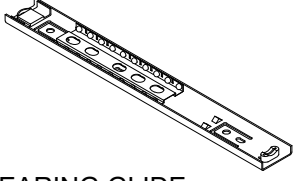
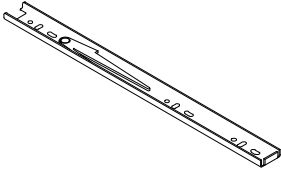
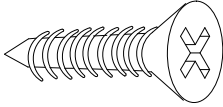
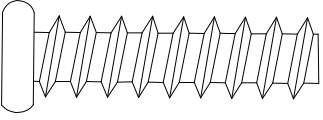
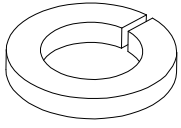
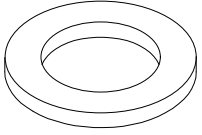
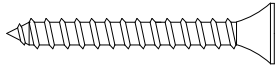
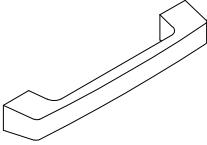
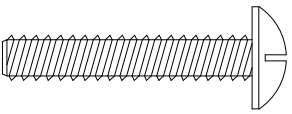
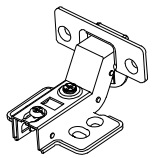
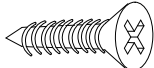
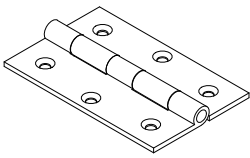
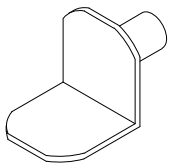
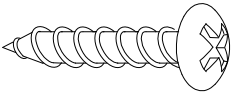
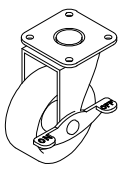
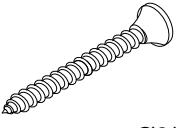
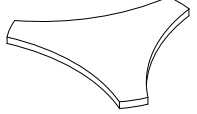

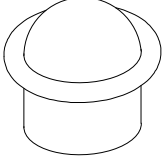
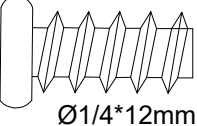
- Use the anti tip stap or wall fixing method provided (if applicable)
- Do not allow children to climb or hang on the furniture
- Do not open more than one drawer at a time
- Do not place heavy items in the top drawers
- Do not place heavy items on top of the furniture, unless the furniture has been designed for this purpose

# Components - Fittings

Please check you have all the panels listed below

Note: The quantities below are the correct amount to complete the assembly. In some cases, more fittings may be supplied than required.

HARDWARE BOX INSIDE BOX 2

<p>1 QTY: 36</p>  <p>CAM BOLT</p>	<p>2 QTY: 36</p>  <p>CAM LOCK</p>	<p>3 QTY: 28</p>  <p>WOOD DOWEL <math>\text{\O}6*25\text{mm}</math></p>	
<p>4 QTY: 6</p>  <p>BALL BEARING GLIDE</p>	<p>5 QTY: 6</p>  <p>BALL BEARING GLIDE</p>	<p>6 QTY: 36</p>  <p>FLAT HEAD SCREW <math>\text{\O}6*12\text{mm}</math></p>	
<p>7 QTY: 6</p>  <p>BOLT <math>1/4"*32\text{mm}</math></p>	<p>8 QTY: 6</p>  <p>SPRING WASHER</p>	<p>9 QTY: 6</p>  <p>FLAT WASHER</p>	
<p>10 QTY: 12</p>  <p>FLAT HEAD SCREW <math>\text{\O}6*25\text{mm}</math></p>	<p>11 QTY: 7</p>  <p>HANDLE</p>	<p>12 QTY: 14</p>  <p>BOLT <math>\text{\O}8*12\text{mm}</math></p>	
<p>13 QTY: 8</p>  <p>HINGES</p>	<p>14 QTY: 90</p>  <p>FLAT HEAD SCREW <math>\text{\O}7*15\text{mm}</math></p>	<p>15 QTY: 7</p>  <p>HINGES</p>	<p>16 QTY: 12</p>  <p>SHELF PIN</p>
<p>17 QTY: 8</p>  <p>ROUND HEAD SCREW <math>\text{\O}7*15\text{mm}</math></p>	<p>18 QTY: 4</p>  <p>CASTER</p>	<p>19 QTY: 6</p>  <p>FLAT HEAD SCREW <math>\text{\O}8*25\text{mm}</math></p>	<p>20 QTY: 1</p>  <p>CAMTOOL</p>
<p>21 QTY: 1</p>  <p>ALLEN KEY</p>	<p>22 QTY: 2</p>  <p>SPING BALL LATCH</p>	<p>23 QTY: 16</p>  <p>BOLT <math>\text{\O}1/4*12\text{mm}</math></p>	<p>3</p>

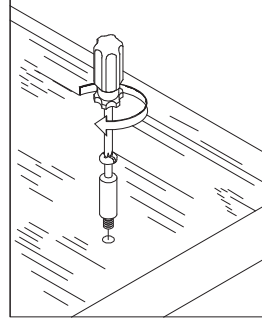
# Using Camlocks

## Step 1

Connect the male camlock as directed in the assembly instructions using a screwdriver.

1

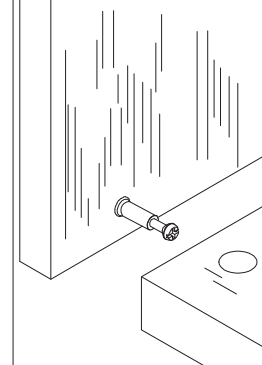
DO NOT OVER TIGHTEN.  
NE PAS SERRER EXCESSIVEMENT.



## Step 2

Push the male camlock into the entry hole.

2

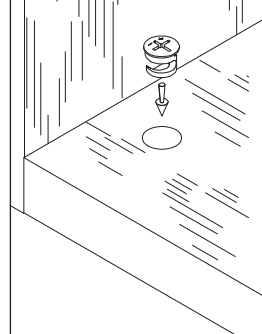


## Step 3

Insert the female camlock as shown in the instruction.

Note: ensure that the arrow on the top of the camlock points towards the entry hole for the male camlock.

3



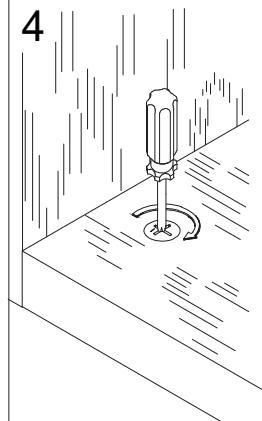
## Step 4

Turn the female camlock clockwise with a screwdriver.

You should feel a click when the camlock is locked in place.

The joint is now secure.

4



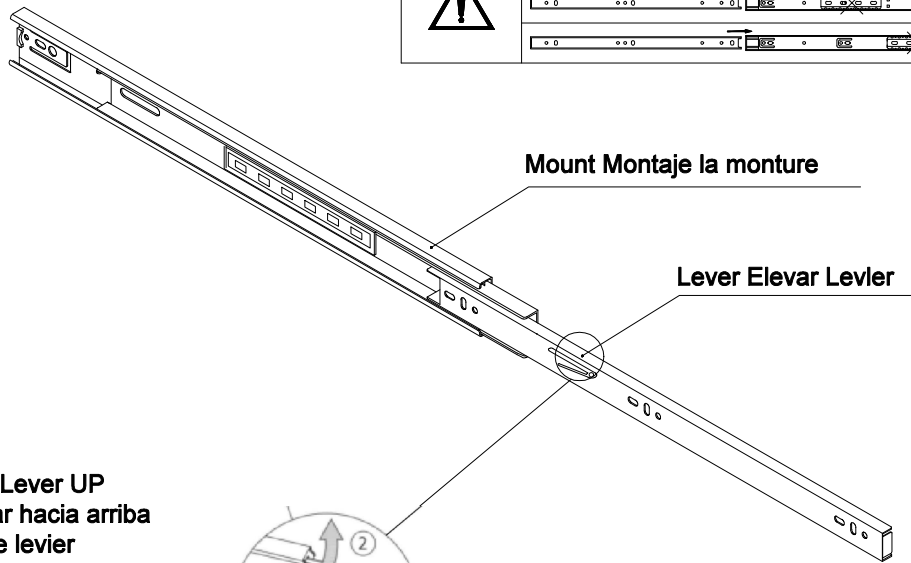
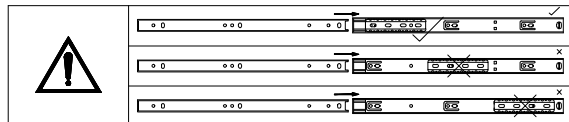
**Slides Must Be Separated Before Assembly.  
After Separated, Set Aside Until Needed for Assembly.**

Las diapositivas deben separarse antes del montaje.  
Después de la separación, déjelo a un lado hasta que sea necesario.

Les glissières doivent être séparées avant l'assemblage.  
Après la séparation, mettez de côté jusqu'au moment de l'assemblage.

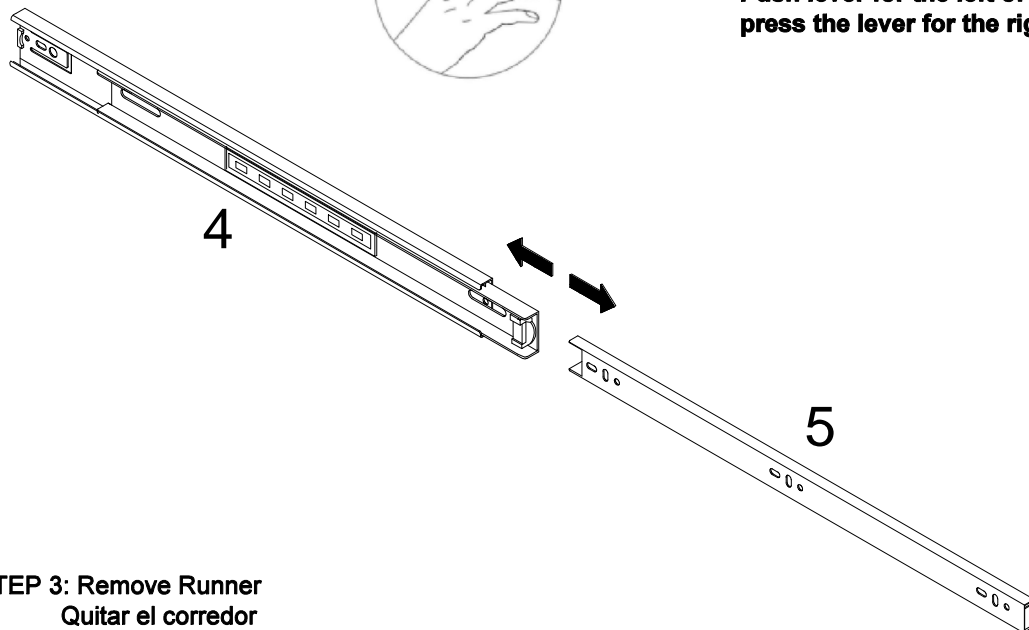
**Pay attention when connecting !  
The sliding module must be at the front end.**

**STEP 1 : Extend Slide  
Extender la diapositiva**



**STEP 2: Push Lever UP  
Empujar hacia arriba  
Lever le levier**

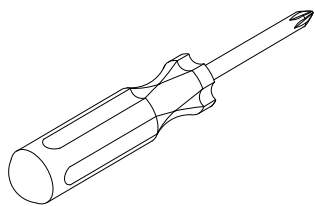
**Push lever for the left of drawer ,  
press the lever for the right of drawer.**



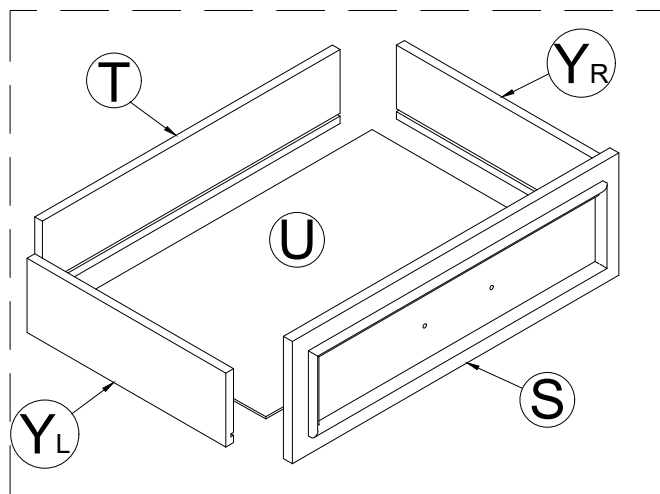
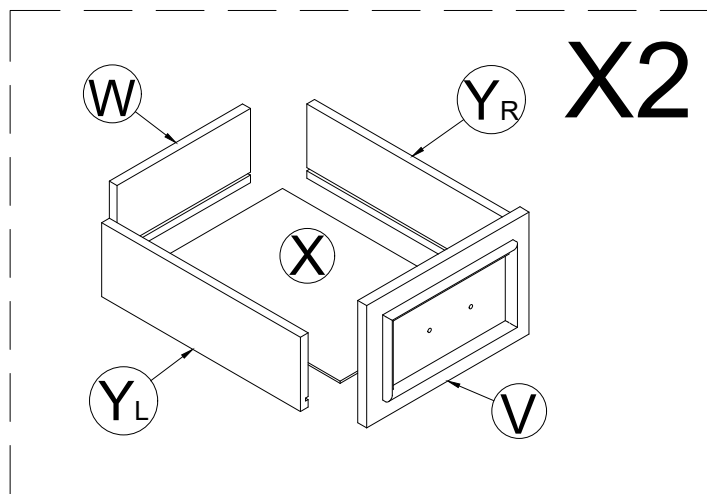
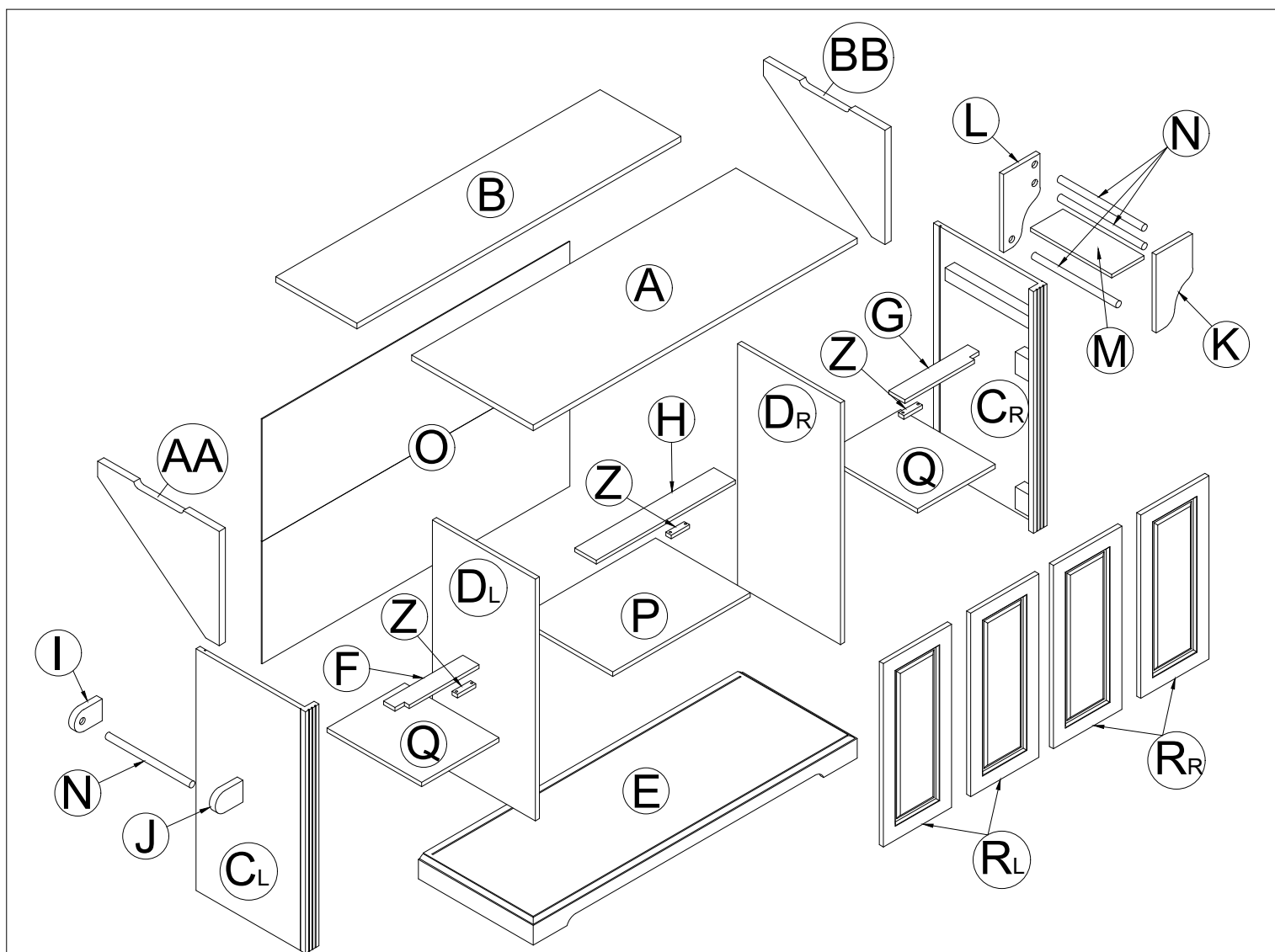
**STEP 3: Remove Runner  
Quitar el corredor  
Enlever le coureur**

# Assembly Instructions

## Tool required

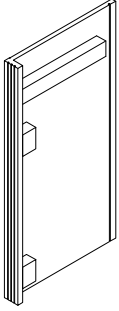
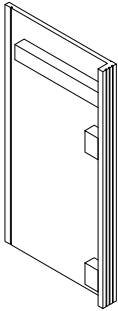
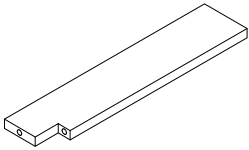
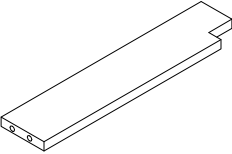
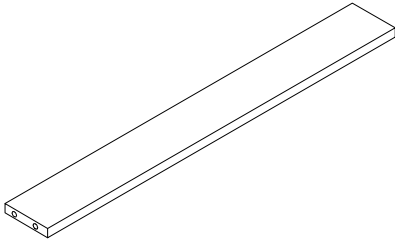
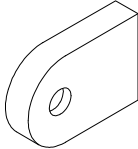
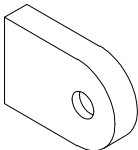
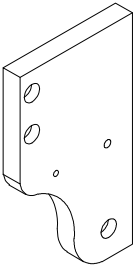
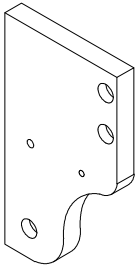
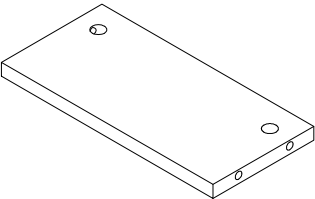
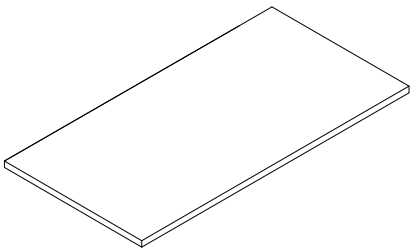
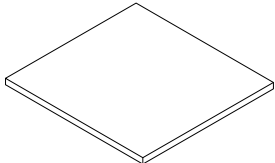
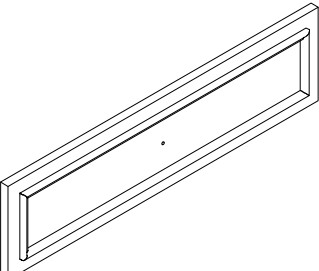
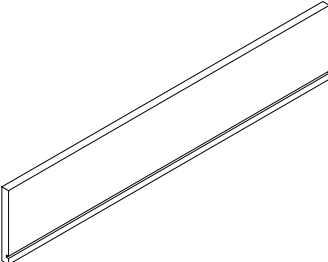
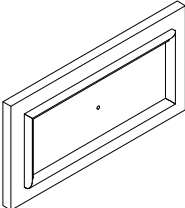


Phillips screw driver  
(medium & large)



# Assembly Instructions

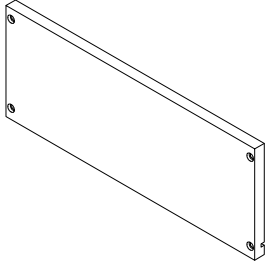
BOX 1

<p><b>CL</b></p> 	<p><b>CR</b></p> 	<p><b>F</b></p> 
<p>LEFT FRAME QTY: 1</p>	<p>RIGHT FRAME QTY: 1</p>	<p>FRONT PANEL - LEFT QTY: 1</p>
<p><b>G</b></p> 	<p><b>H</b></p> 	<p><b>I</b></p> 
<p>FRONT PANEL - RIGHT QTY: 1</p>	<p>FRONT PANEL - MIDDLE QTY: 1</p>	<p>BRACKET - LEFT QTY: 1</p>
<p><b>J</b></p> 	<p><b>K</b></p> 	<p><b>L</b></p> 
<p>BRACKET - RIGHT QTY: 1</p>	<p>BRACKET - LEFT QTY: 1</p>	<p>BRACKET - RIGHT QTY: 1</p>
<p><b>M</b></p> 	<p><b>P</b></p> 	<p><b>Q</b></p> 
<p>BRACKET BOTTOM QTY: 1</p>	<p>MIDDLE SHELF QTY: 1</p>	<p>LEFT/RIGHT SHELF QTY: 2</p>
<p><b>S</b></p> 	<p><b>T</b></p> 	<p><b>V</b></p> 
<p>DRAWER FRONT QTY: 1</p>	<p>DRAWER BACK QTY: 1</p>	<p>DRAWER FRONT QTY: 2</p>

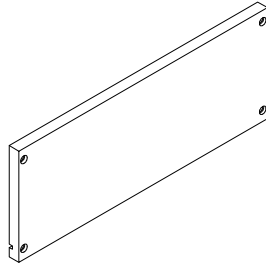
# Assembly Instructions

BOX 1

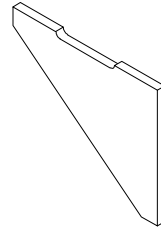
Y<sub>L</sub>



Y<sub>R</sub>



AA



DRAWER LEFT

QTY: 3

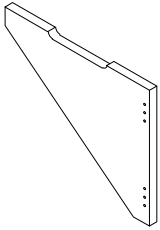
DRAWER RIGHT

QTY: 3

EXTENDED SUPPORT

QTY: 1

BB

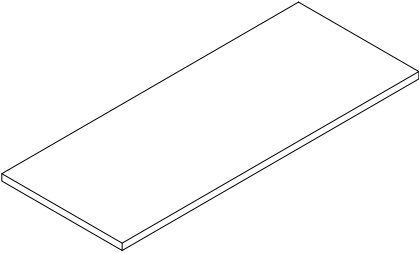
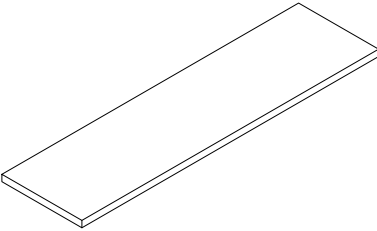
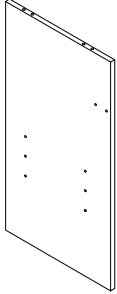
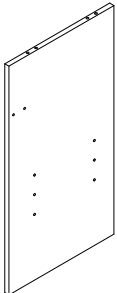
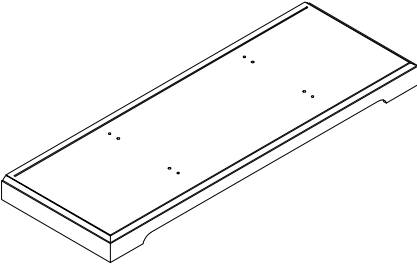
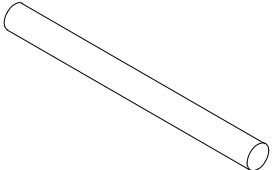
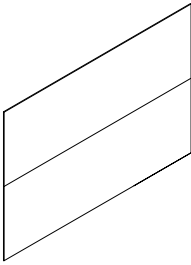
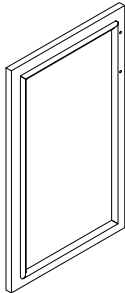
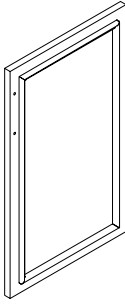
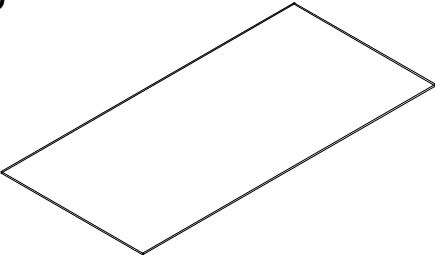
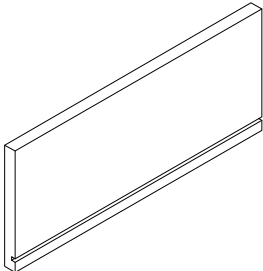
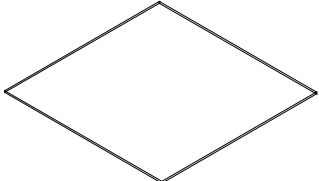
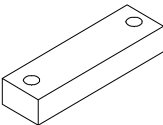


EXTENDED SUPPORT

QTY: 1

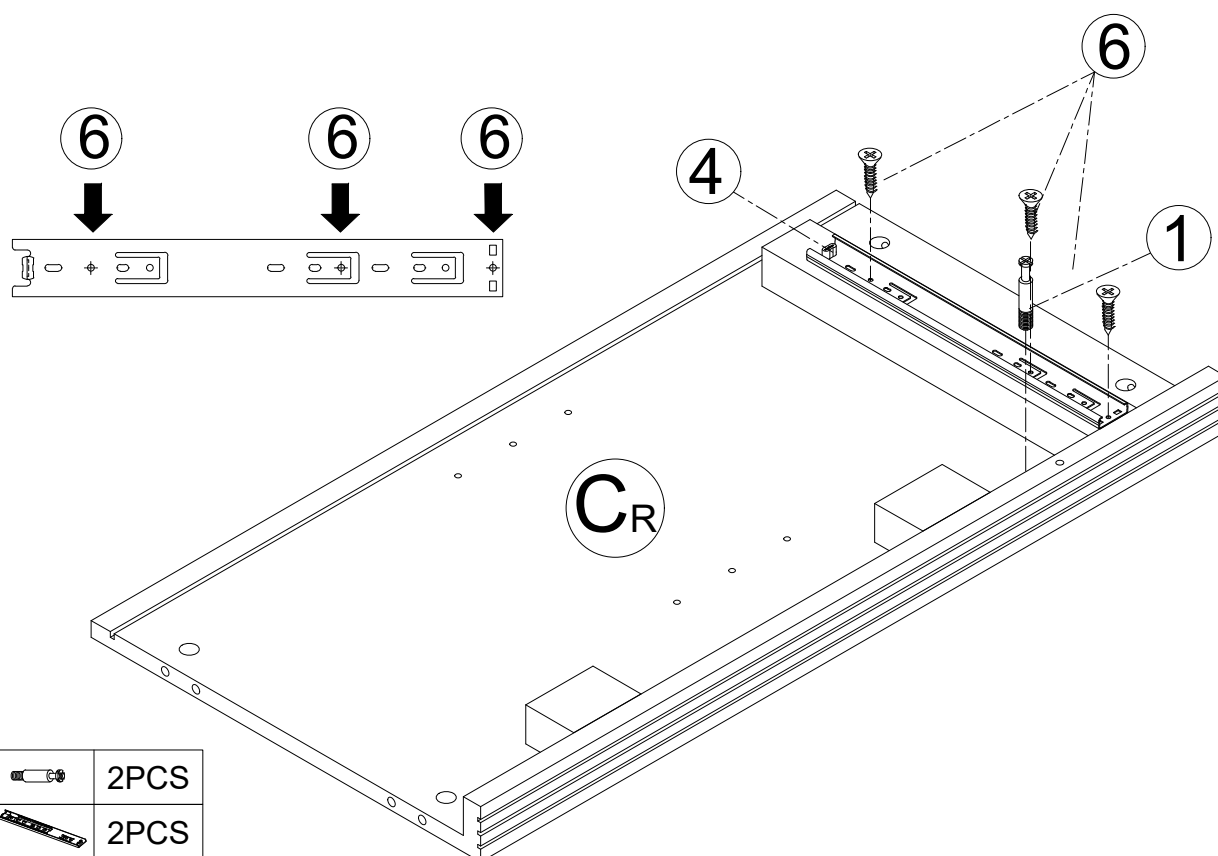
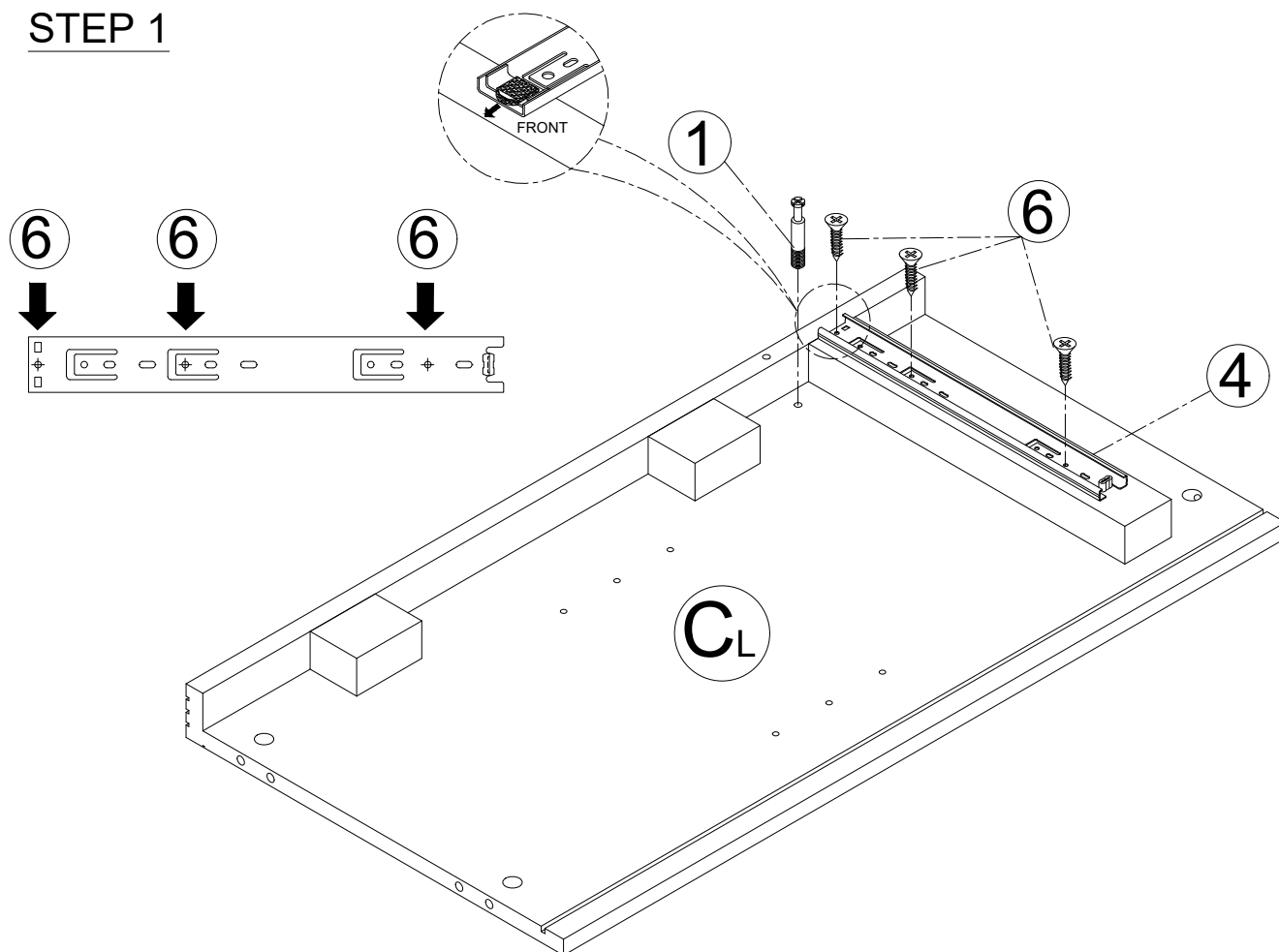
# Assembly Instructions

BOX 2

<p><b>A</b></p> 	<p><b>B</b></p> 	<p><b>DL</b></p> 
<p>TOP PANEL QTY: 1</p>	<p>EXTENDED TOP PANEL QTY: 1</p>	<p>CENTER PANEL - LEFT QTY: 1</p>
<p><b>DR</b></p> 	<p><b>E</b></p> 	<p><b>N</b></p> 
<p>CENTER PANEL - RIGHT QTY: 1</p>	<p>BOTTOM PANEL QTY: 1</p>	<p>PULL BAR QTY: 4</p>
<p><b>O</b></p> 	<p><b>RL</b></p> 	<p><b>RR</b></p> 
<p>BACK PANEL QTY: 1</p>	<p>LEFT DOOR QTY: 2</p>	<p>RIGHT DOOR QTY: 2</p>
<p><b>U</b></p> 	<p><b>W</b></p> 	<p><b>X</b></p> 
<p>DRAWER BOTTOM QTY: 1</p>	<p>DRAWER BACK QTY: 2</p>	<p>DRAWER BOTTOM QTY: 2</p>
<p><b>Z</b></p> 		
<p>DOOR STOP QTY: 3</p>		

# Assembly Instructions

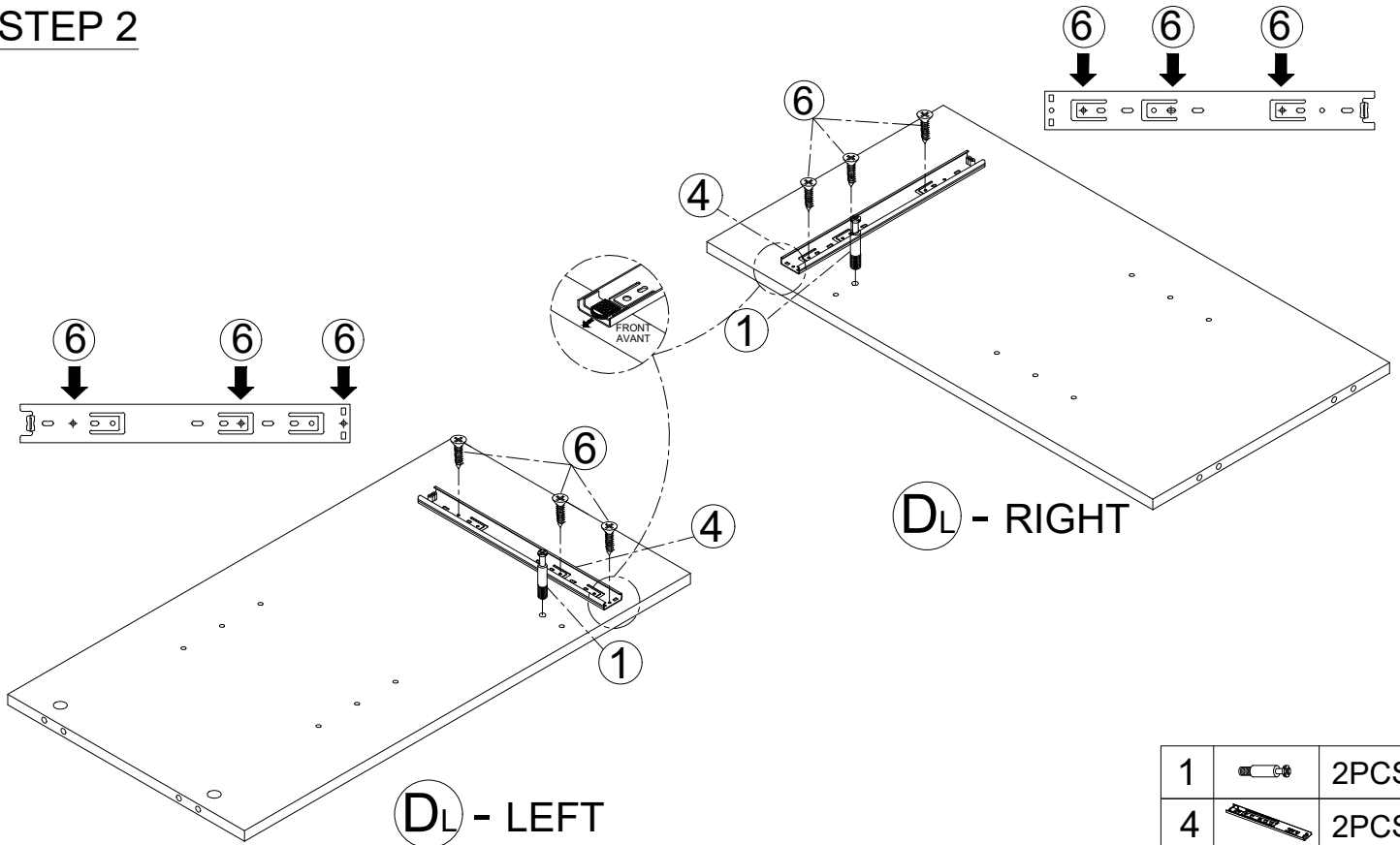
## STEP 1



1		2PCS
4		2PCS
6		6PCS

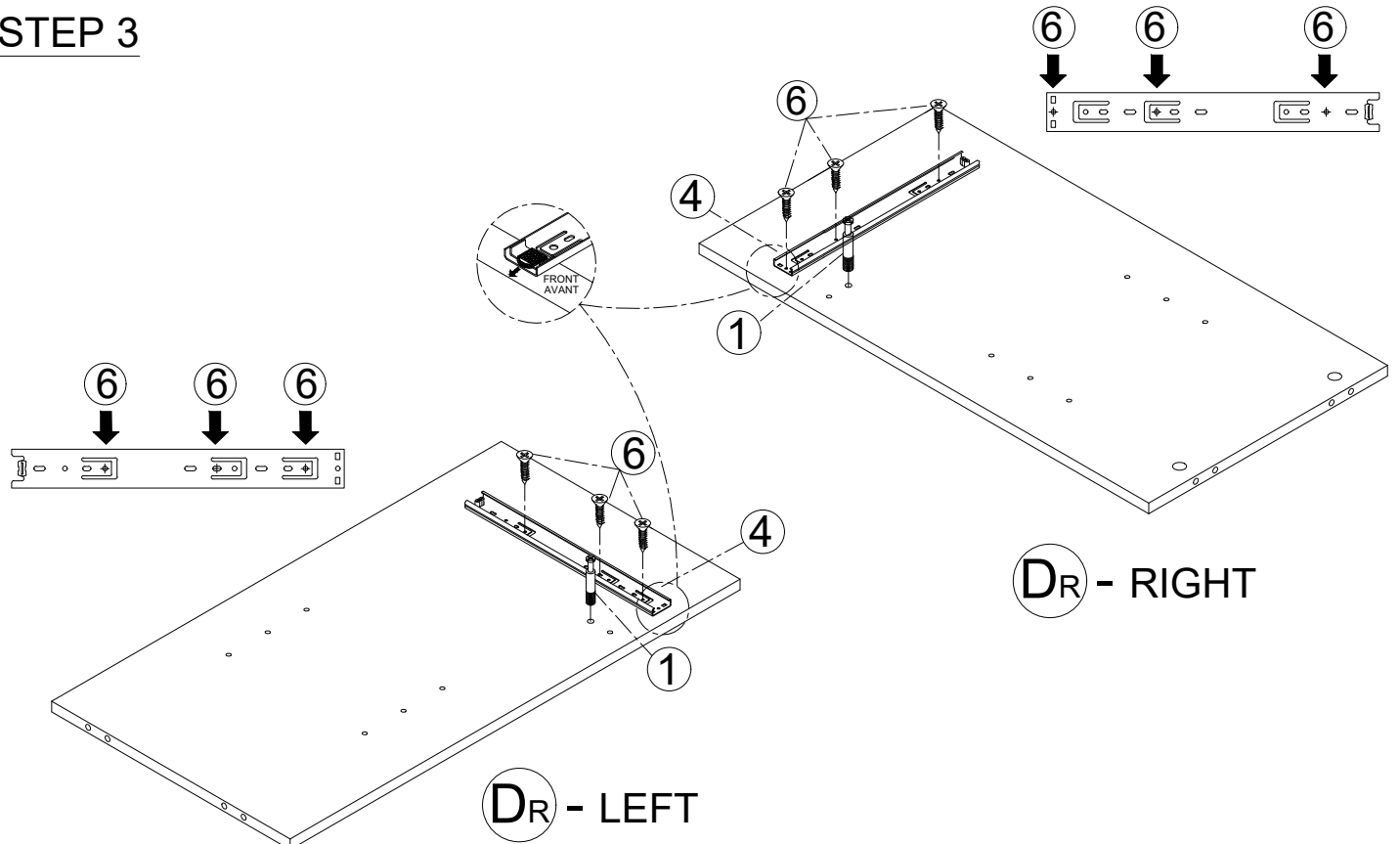
# Assembly Instructions

## STEP 2



1		2PCS
4		2PCS
6		6PCS

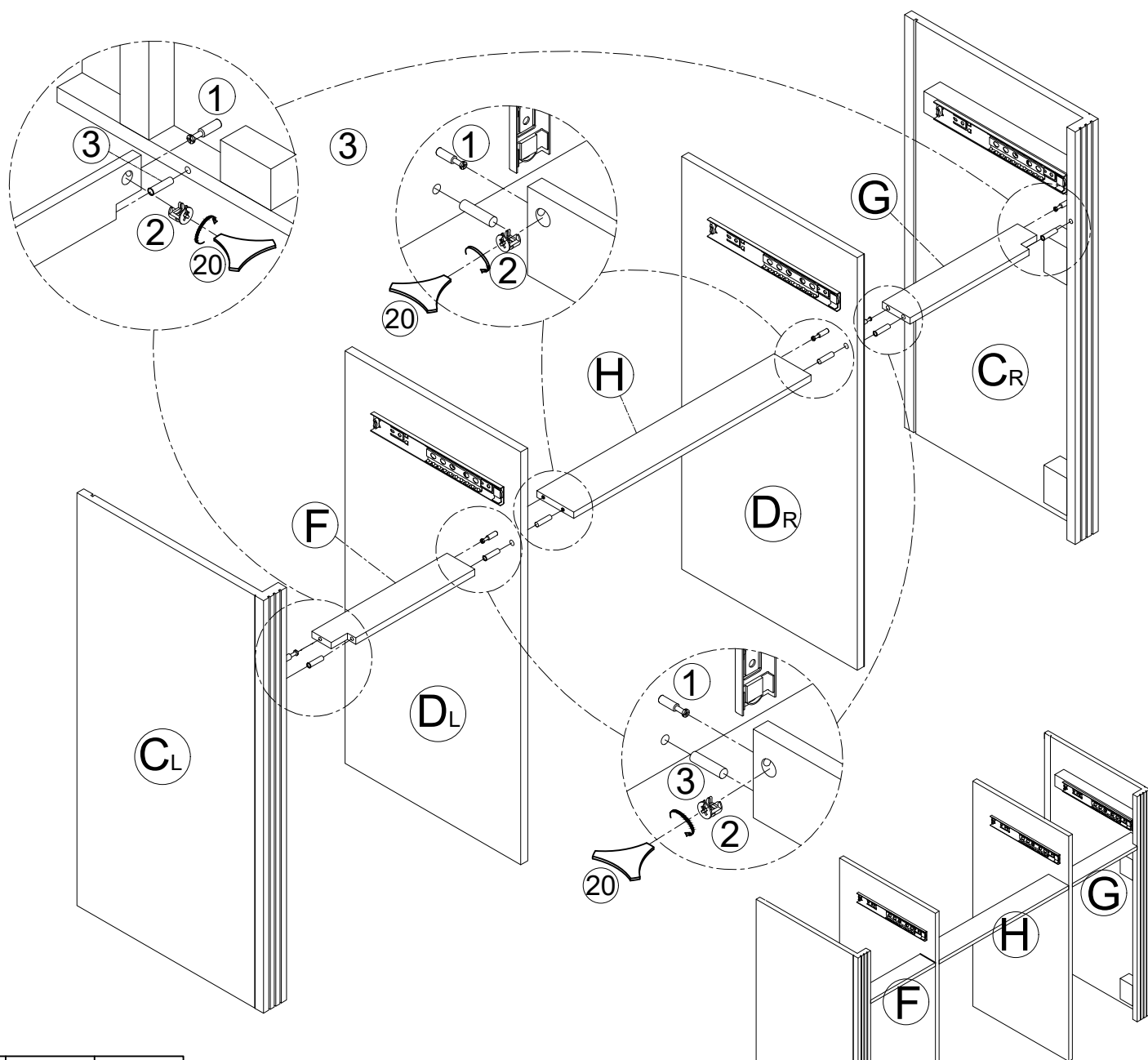
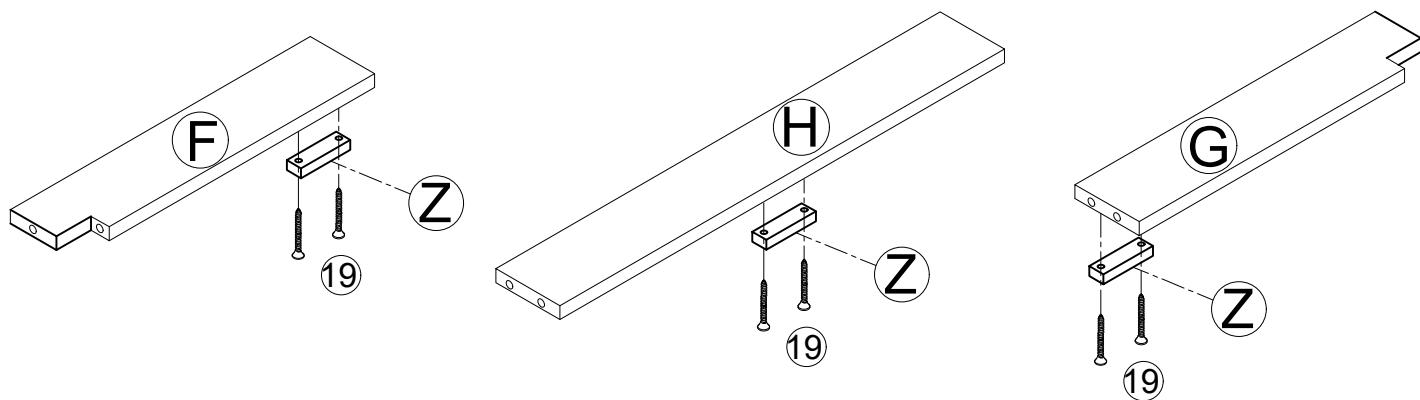
## STEP 3



1		2PCS
4		2PCS
6		6PCS

# Assembly Instructions

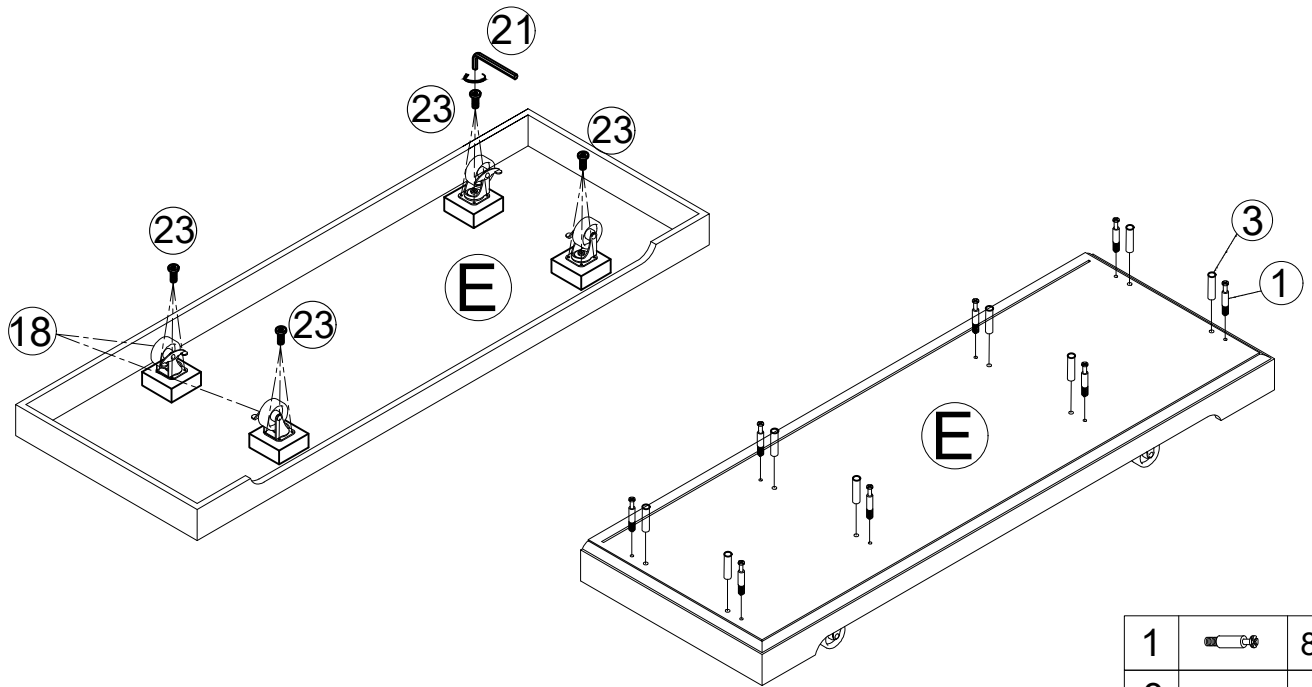
## STEP 4



2		6PCS
3		6PCS
19		6PCS
20		1PC

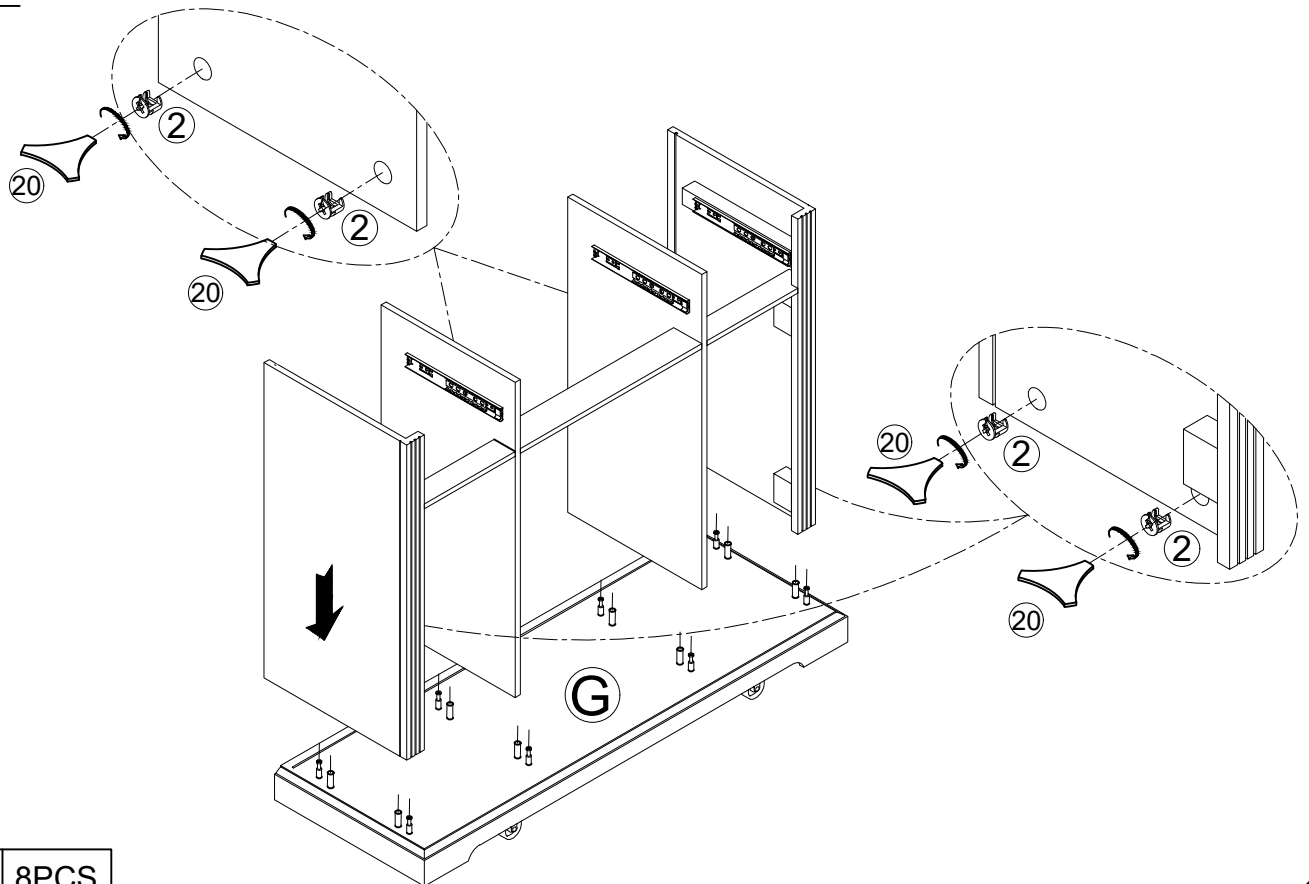
# Assembly Instructions

## STEP 5



1		8PCS
3		8PCS
18		4PCS
21		1PC
23		16PCS

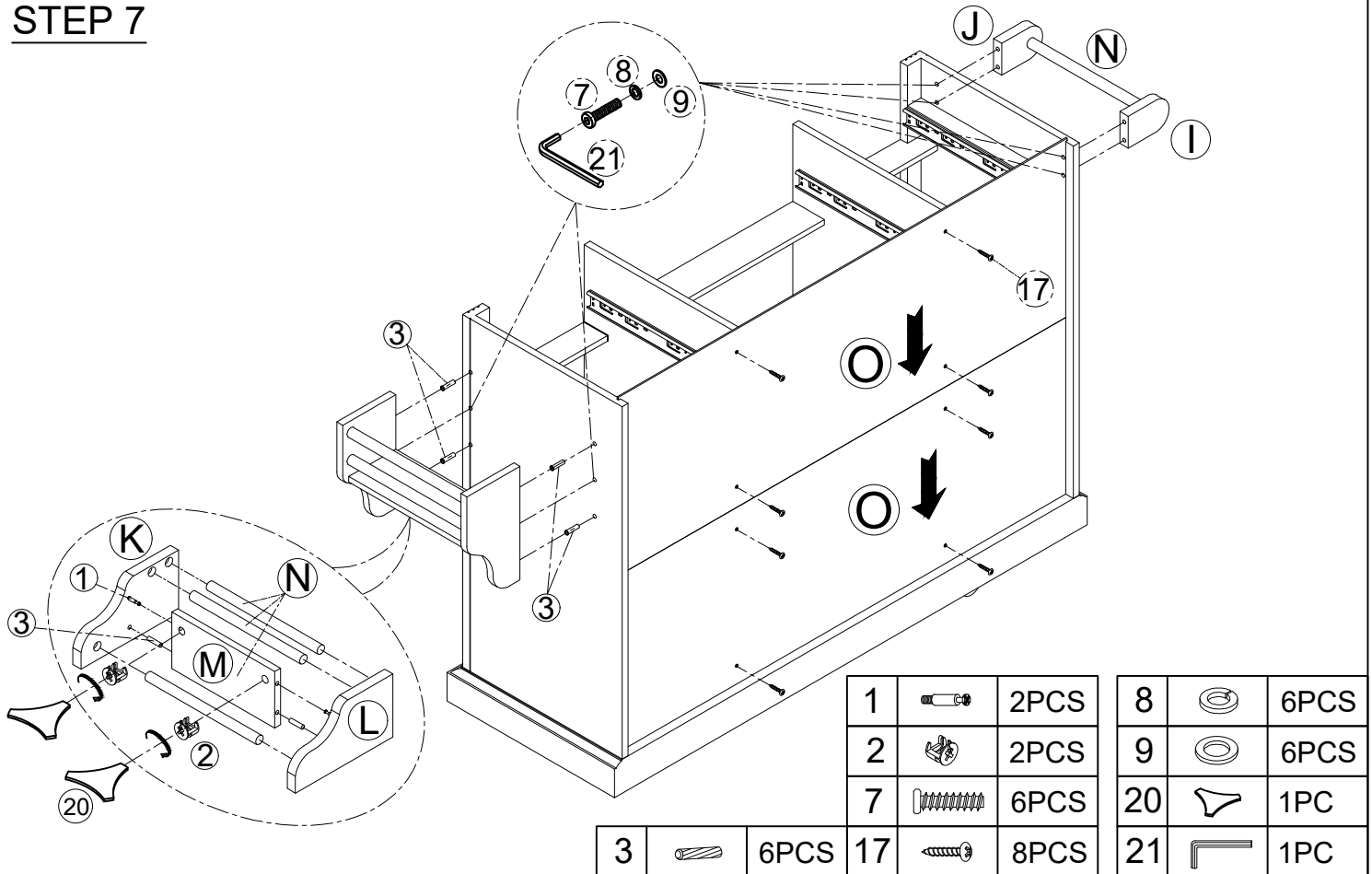
## STEP 6



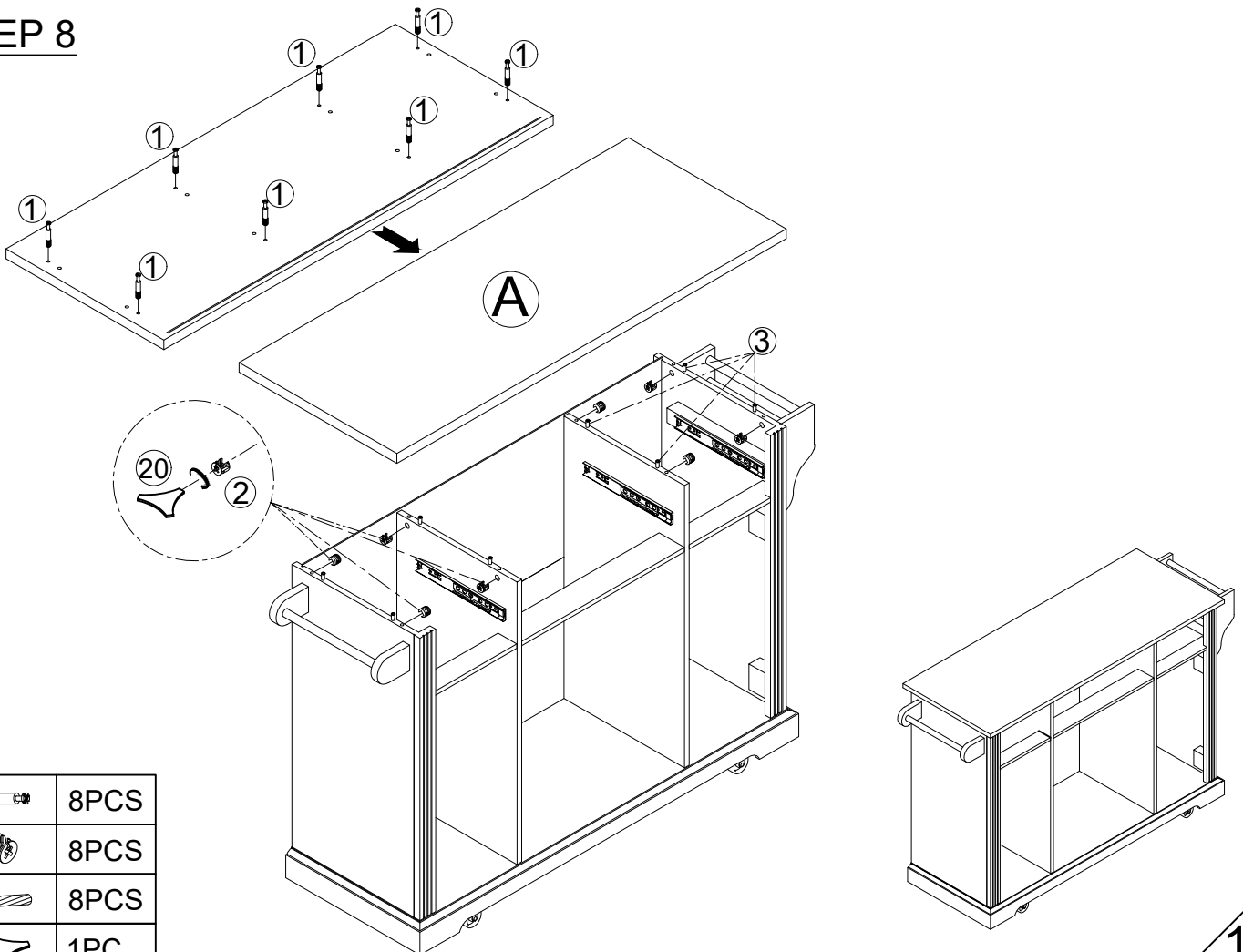
2		8PCS
20		1PC

# Assembly Instructions

## STEP 7

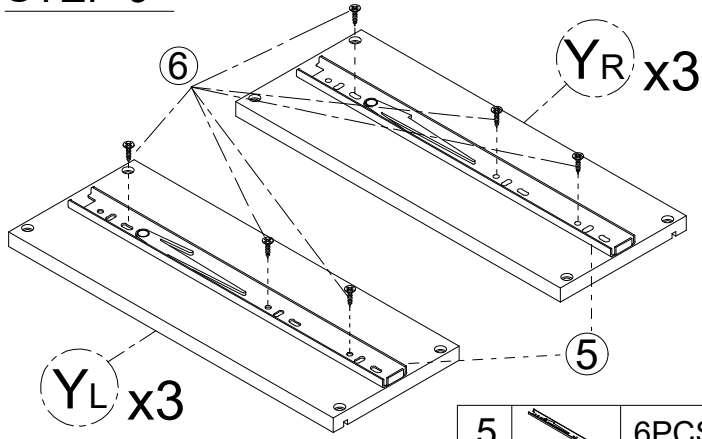


## STEP 8



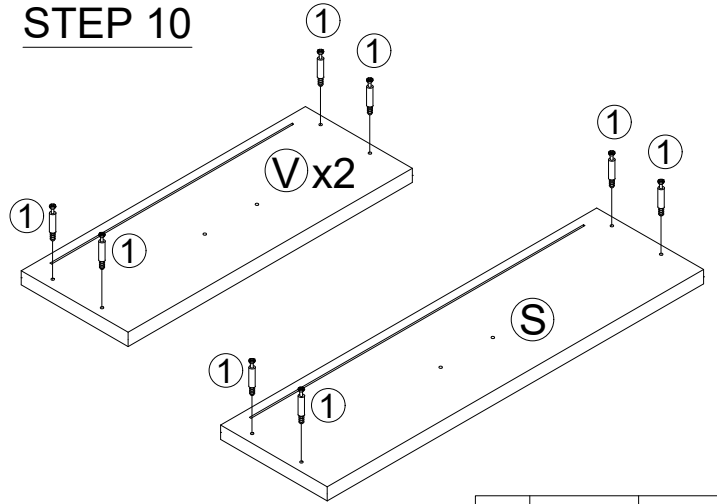
# Assembly Instructions

## STEP 9



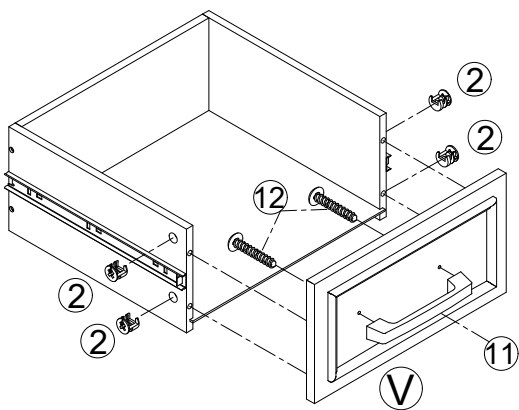
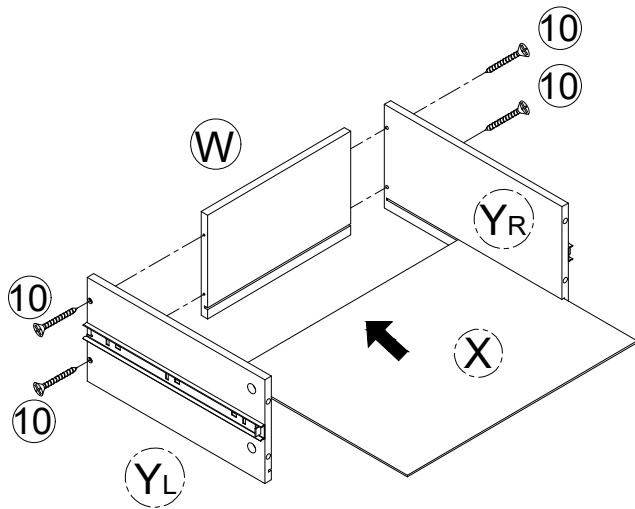
5		6PCS
6		18PCS

## STEP 10



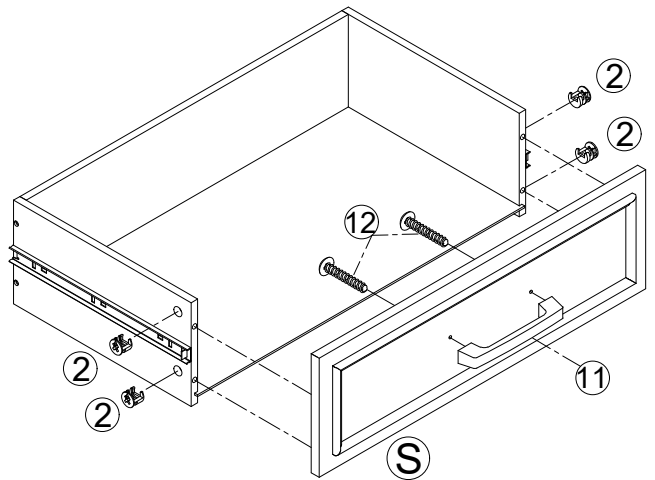
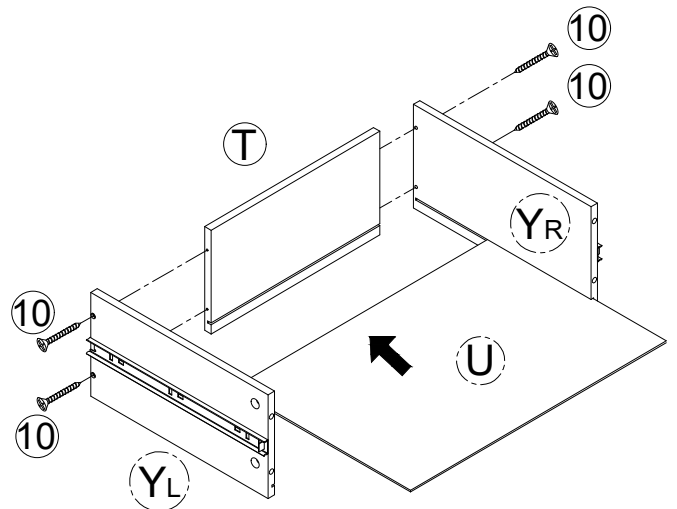
1		12PCS
---	--	-------

## STEP 11



2		8PCS
10		8PCS
11		2PCS
12		4PCS

## STEP 12

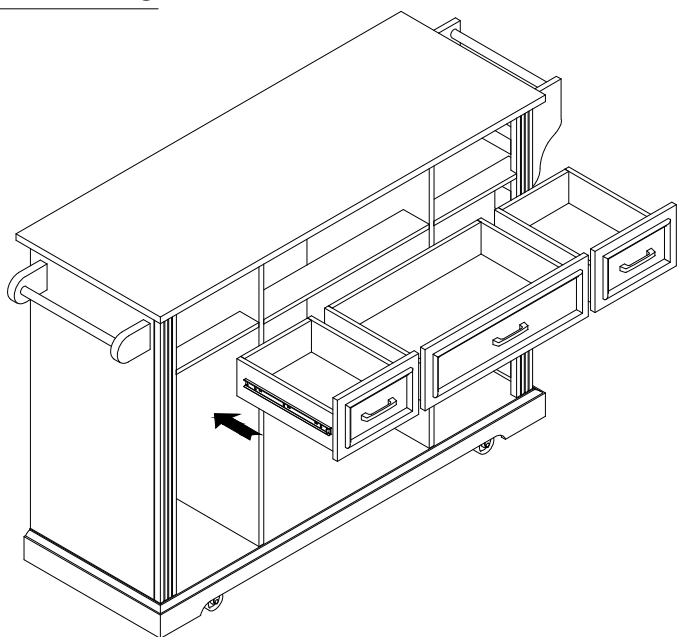


2		4PCS
10		4PCS
11		1PCS
12		2PCS

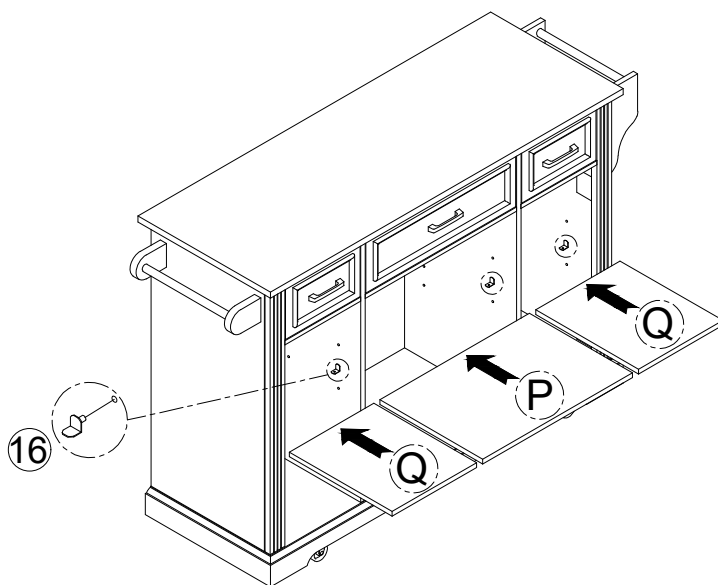
**X2**

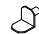
# Assembly Instructions

## STEP 13

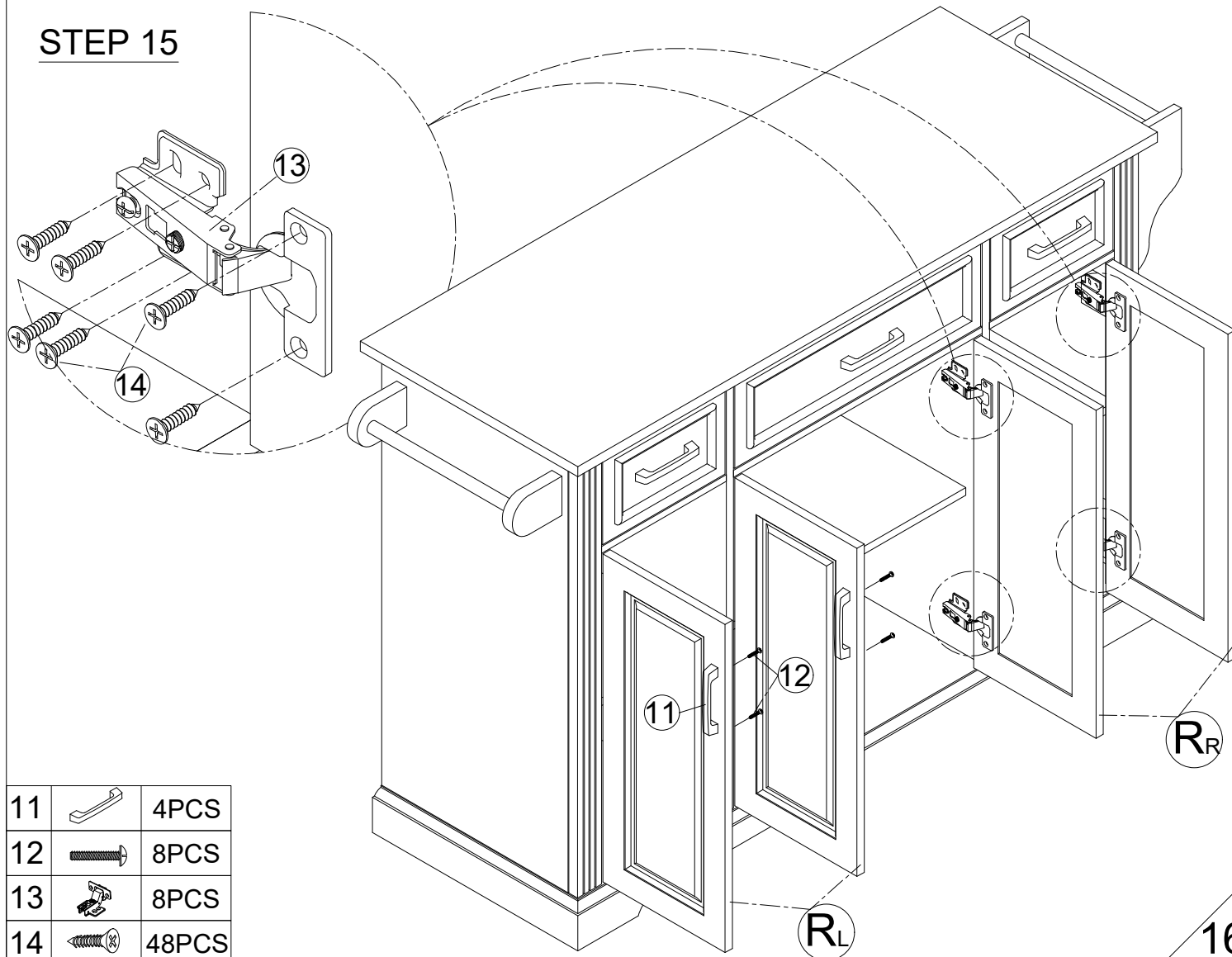






## STEP 14



16  12PCS

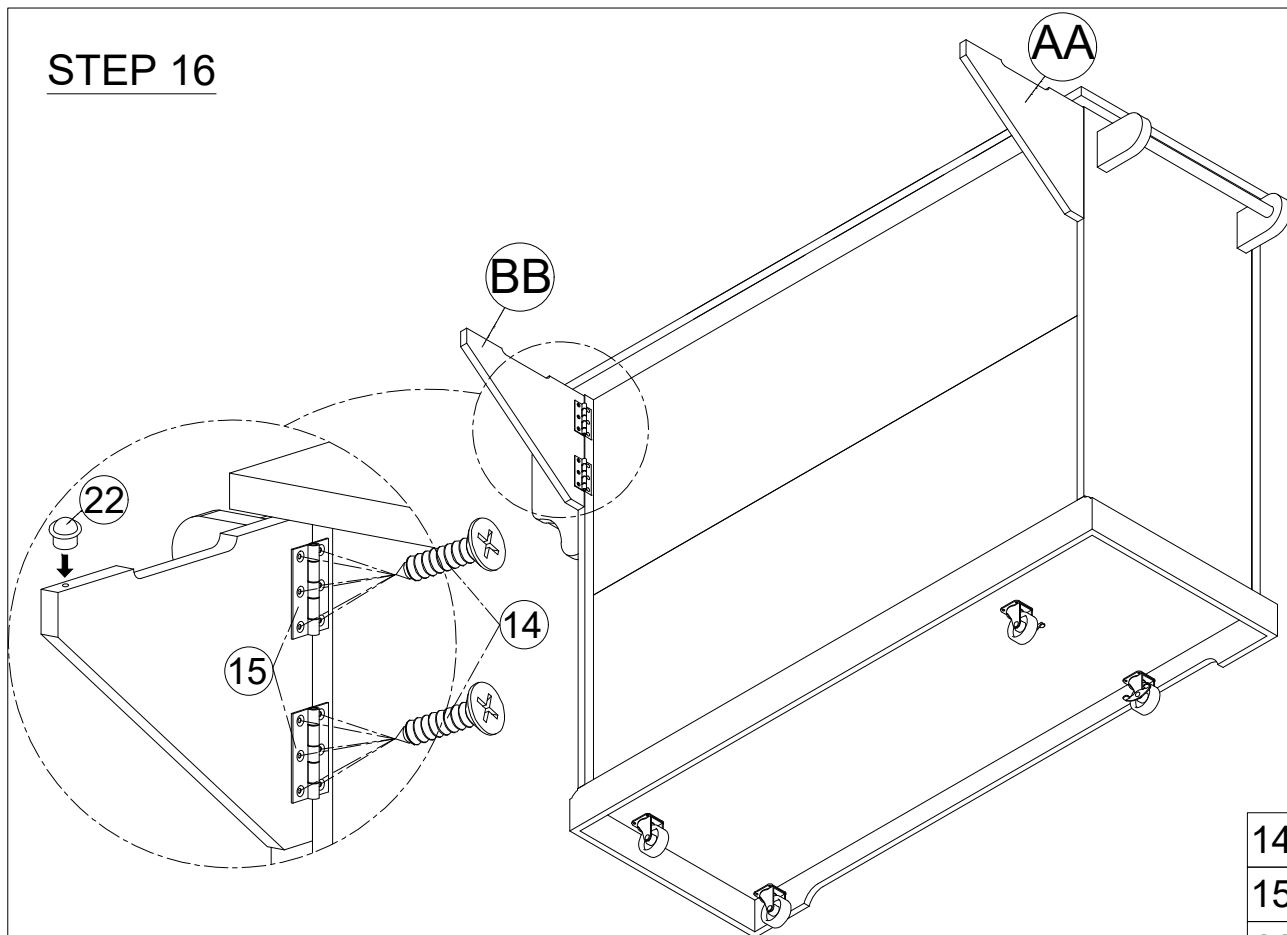
## STEP 15




11		4PCS
12		8PCS
13		8PCS
14		48PCS

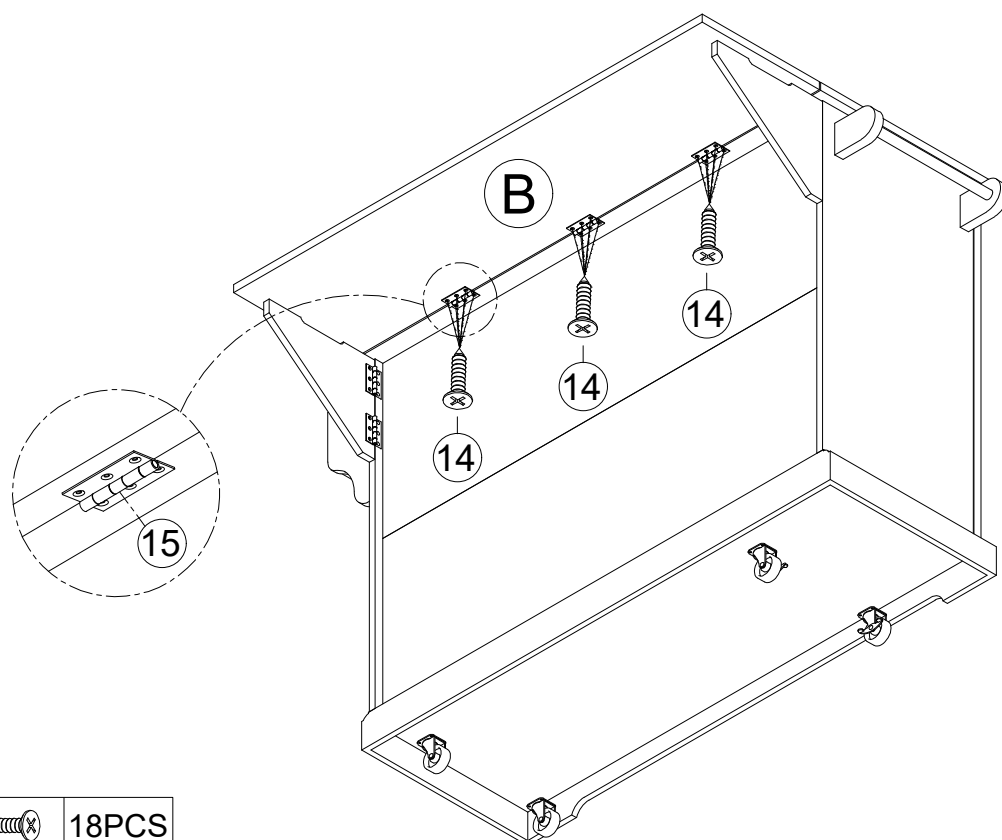
# Assembly Instructions



## STEP 16



14		24PCS
15		4PCS
22		2PCS

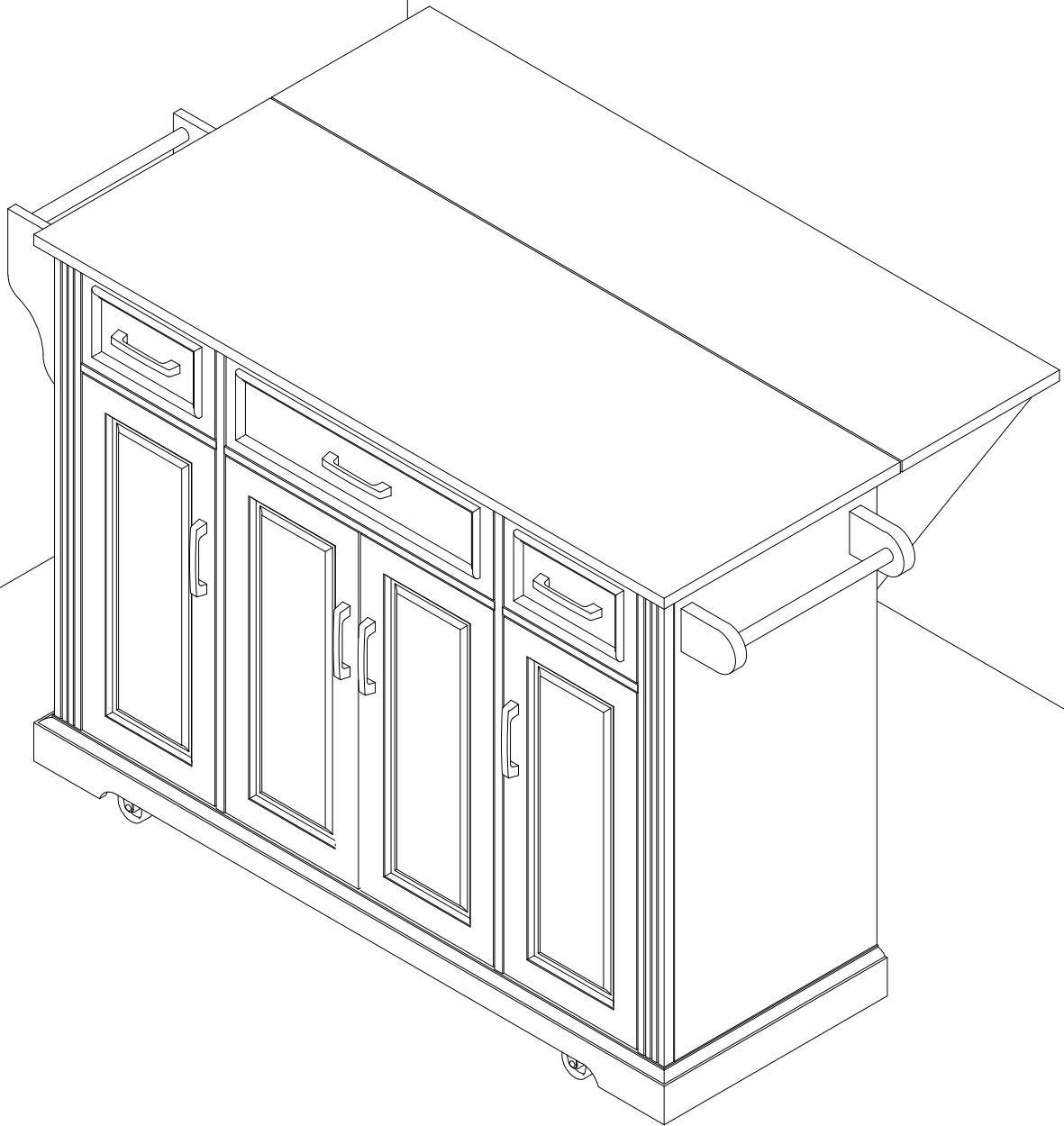
## STEP 17



14		18PCS
15		3PCS

# Assembly Instructions

Finish!

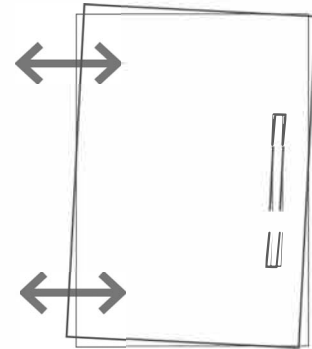


# HINGE ADJUSTMENTS



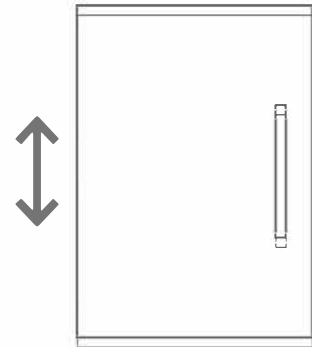
## 1 Sideways / Tilt adjustment

Turn the screw  
**clockwise** to move the door further away from  
the side of the cabinet  
**anticlockwise** to move the door closer to the  
side of the cabinet



## 2 4 Height adjustment

While supporting the weight of the door, turn the  
screws  
**clockwise** to move the door up  
**anticlockwise** to move the door down



## 3 Forward and back adjustment

If the gap between the back of the door and the  
cabinet is too small, and the door may not close  
fully. Turn the screw  
**clockwise** to decrease the gap between the  
door and the cabinet  
**anticlockwise** to increase the gap between the  
door and the cabinet

