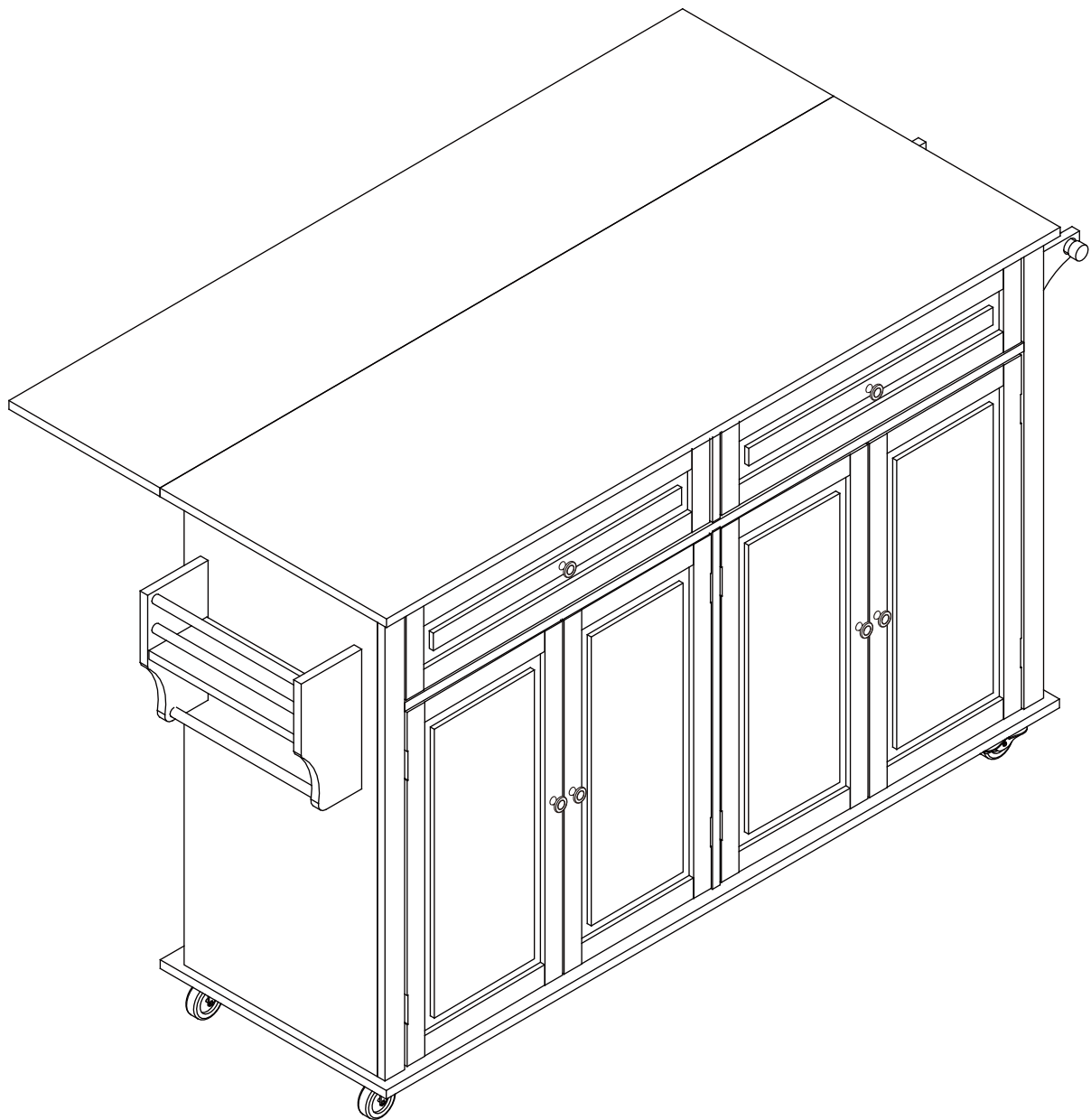
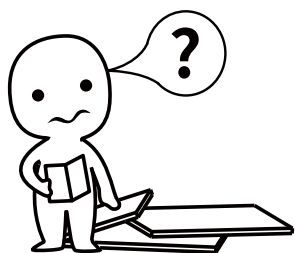


# ASSEMBLY INSTRUCTION

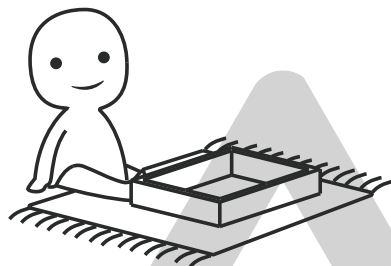
130CM





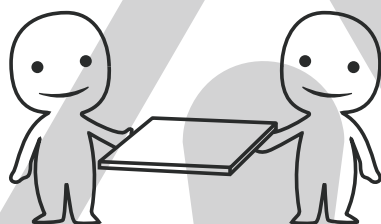
### **IMPORTANT INFORMATION!**

please read the entire manual before starting to assemble and/or using this product. follow the manual thoroughly and keep it for further reference.



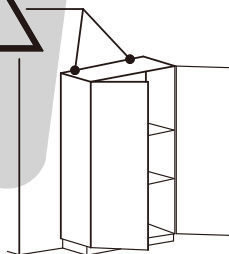
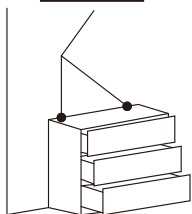
### **AVOID SCRATCHES!**

In order to avoid scratching this furniture should be assembled on a soft layer- could be a rug.



### **IMPROVE EFFICIENCY !**

Try to find a partner to install with you, which can speed up the installation efficiency and shorten the time.



### **ANTI-TOPPLE WARNING !**

Overtured furniture can cause serious or fatal crush injuries. To prevent tipping over, be sure to use the wall attachment, if not included with this product. Please purchase the wall attachment that fit your wall. If unsure, seek professional advice. Please read and follow each step of the instructions carefully.

### **IMPORTANT !**

It is important that any product which is assembled using any kind of screw is re-tightened 2 weeks after assembly, and once every 3 months - in order to assure stability through-out the lifespan of the product.

For regular maintenance and cleaning of the product, for the frame, please use a rag dipped in neutral detergent to fully wipe it, and then dry it with a clean rag. For glass materials, wipe with a rag dampened with water glass cleaner, and then dry with a dry rag.

Do not use an electric screwdriver, and do not use too much force when installing, because the board is easy to break.

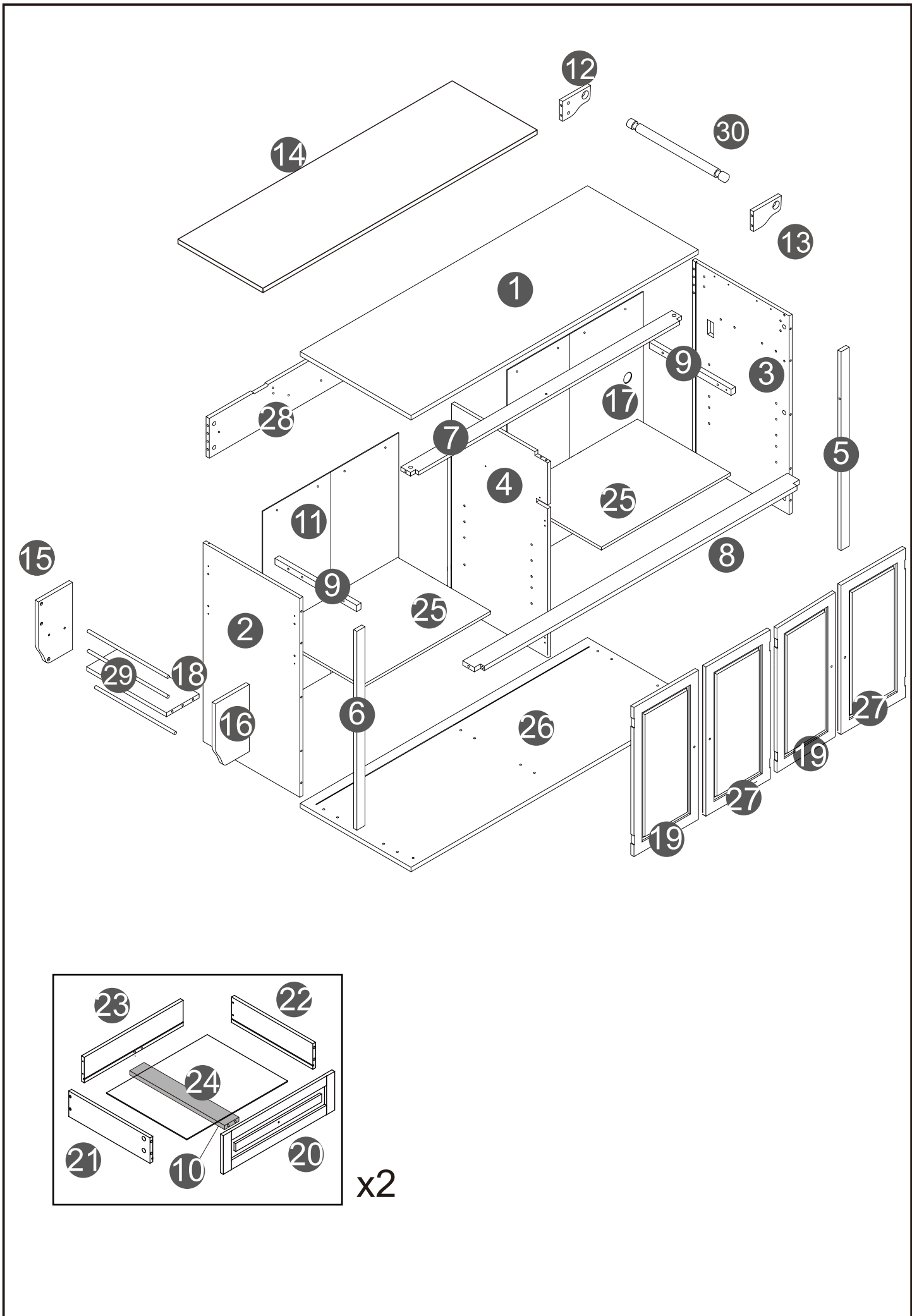
### **'SAFETY TIPS:**

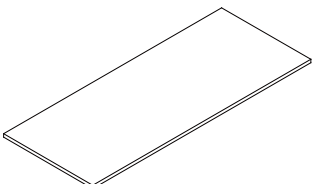
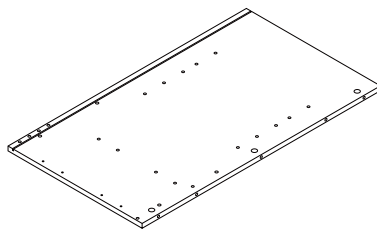
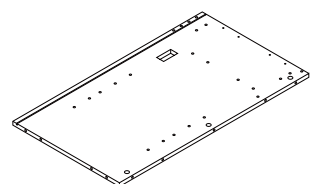
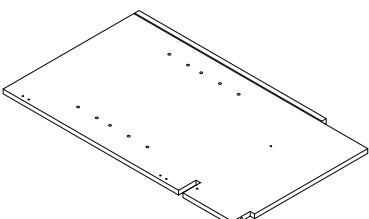
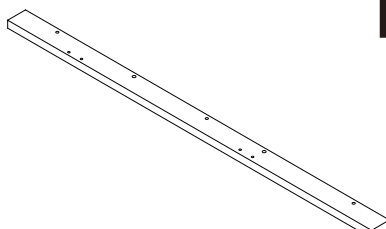
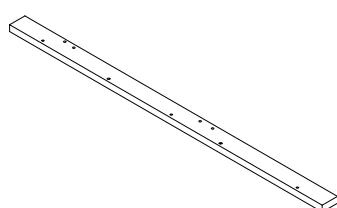
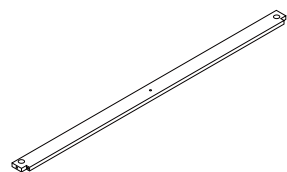
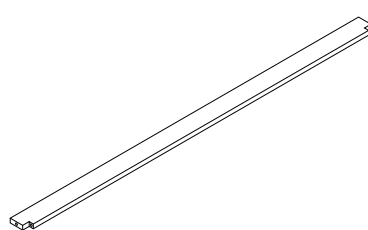
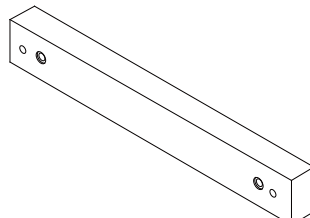
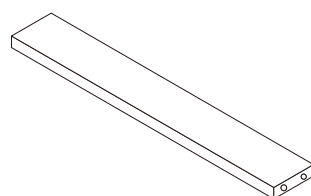
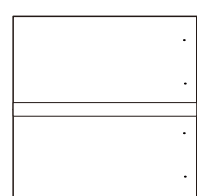
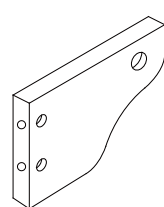
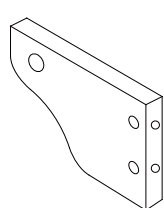
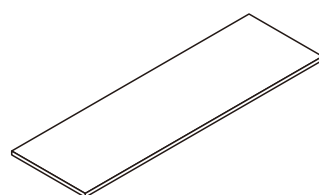
Static charge may cause dust on foam- clean with a dry or damp cloth.

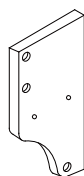
Styrofoam strands may be present - handle gently and dispose of properly.

Do not burn or incinerate.

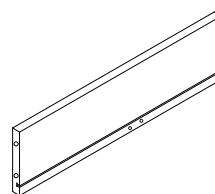
Check local recycling guidelines.



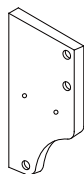
	<p><b>1 x 1</b></p>		<p><b>2 x 1</b></p>		<p><b>3 x 1</b></p>		<p><b>4 x 1</b></p>		<p><b>5 x 1</b></p>		<p><b>6 x 1</b></p>		<p><b>7 x 1</b></p>		<p><b>8 x 1</b></p>		<p><b>9 x 2</b></p>		<p><b>10 x 2</b></p>		<p><b>11 x 1</b></p>		<p><b>12 x 1</b></p>		<p><b>13 x 1</b></p>		<p><b>14 x 1</b></p>
---	---------------------	---	---------------------	---	---------------------	---	---------------------	---	---------------------	---	---------------------	---	---------------------	--	---------------------	--	---------------------	--	----------------------	---	----------------------	---	----------------------	---	----------------------	--	----------------------



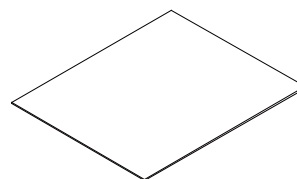
**15 x 1**



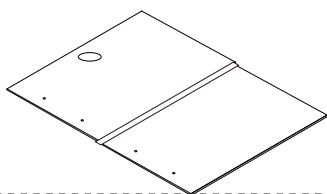
**23 x 2**



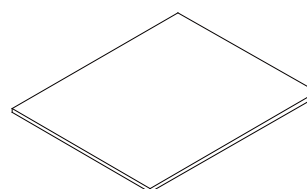
**16 x 1**



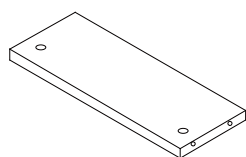
**24 x 2**



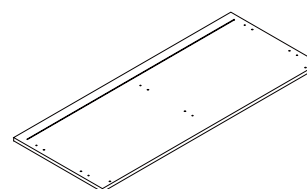
**17 x 1**



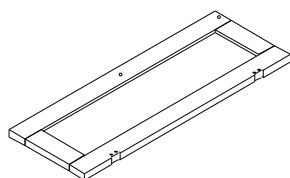
**25 x 2**



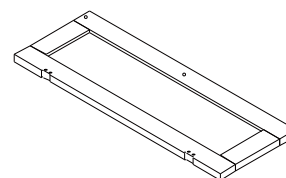
**18 x 1**



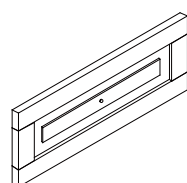
**26 x 1**



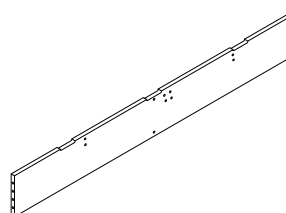
**19 x 2**



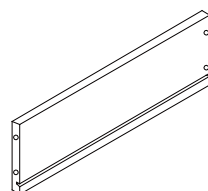
**27 x 2**



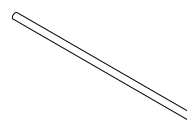
**20 x 2**



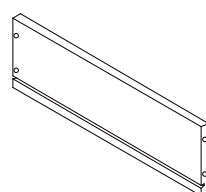
**28 x 1**



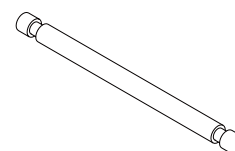
**21 x 2**



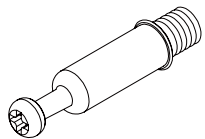
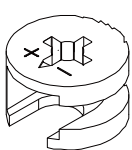
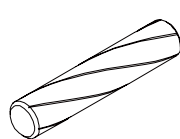
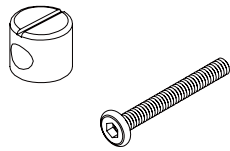
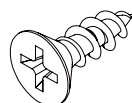

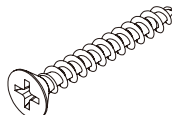

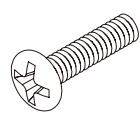
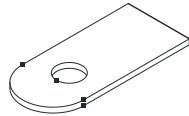
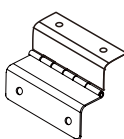
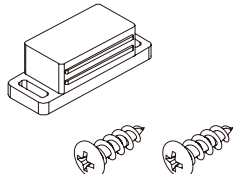
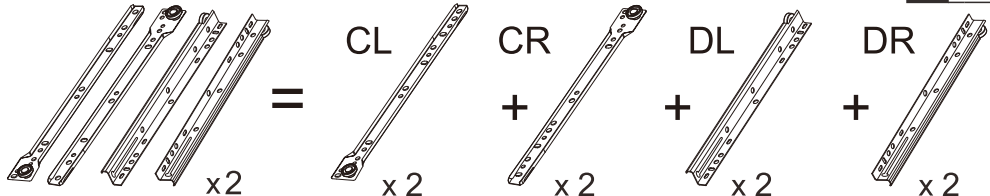
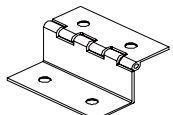
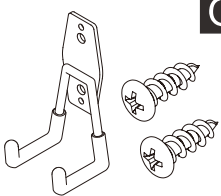
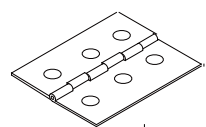
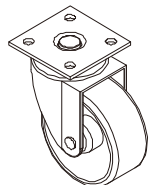
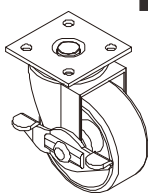

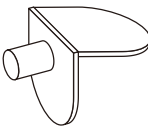
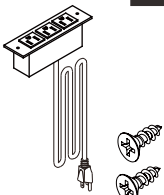
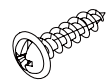
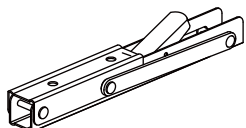
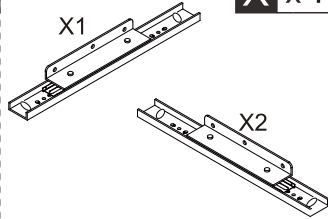

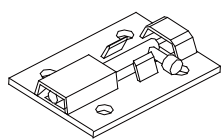
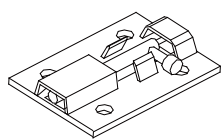
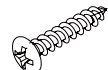
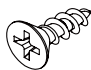

**29 x 3**



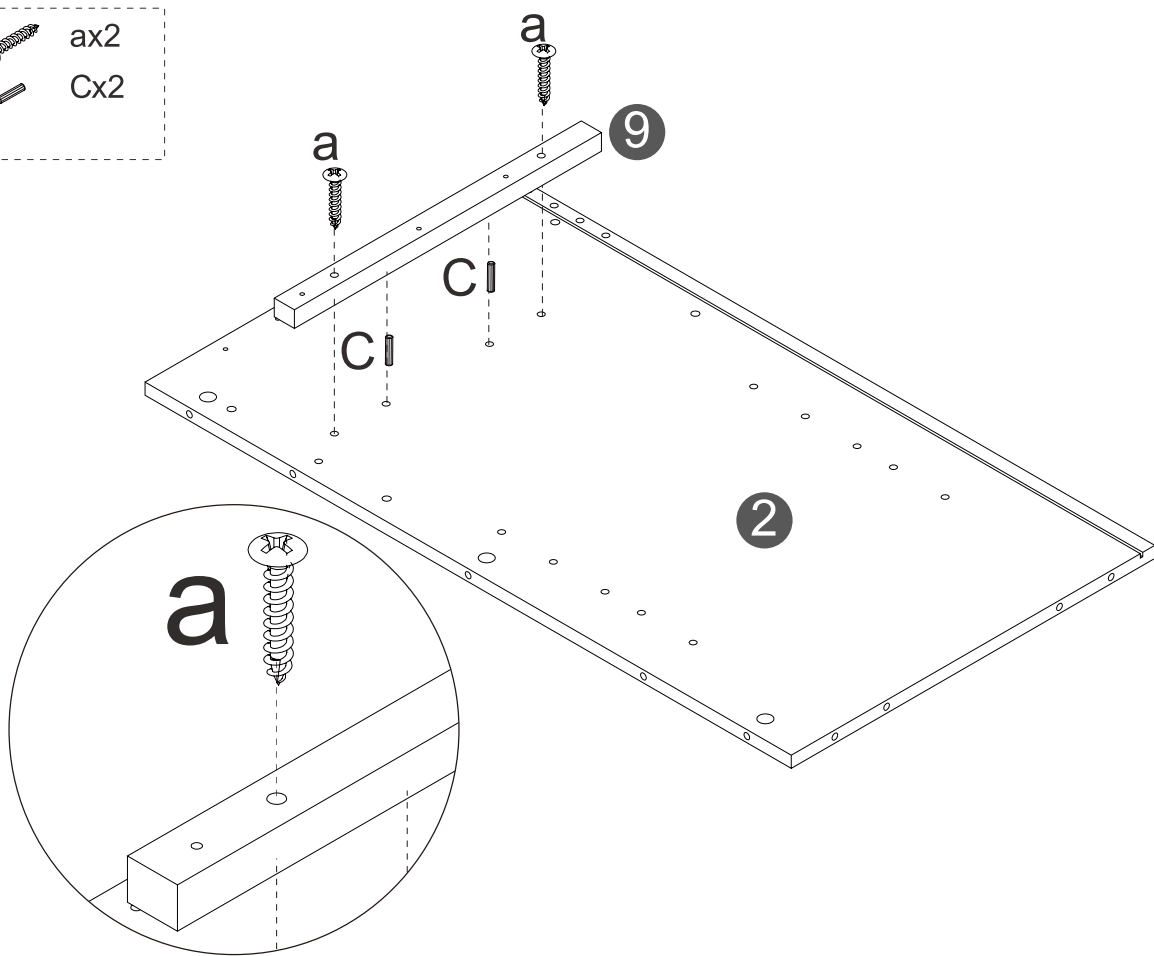
**22 x 2**








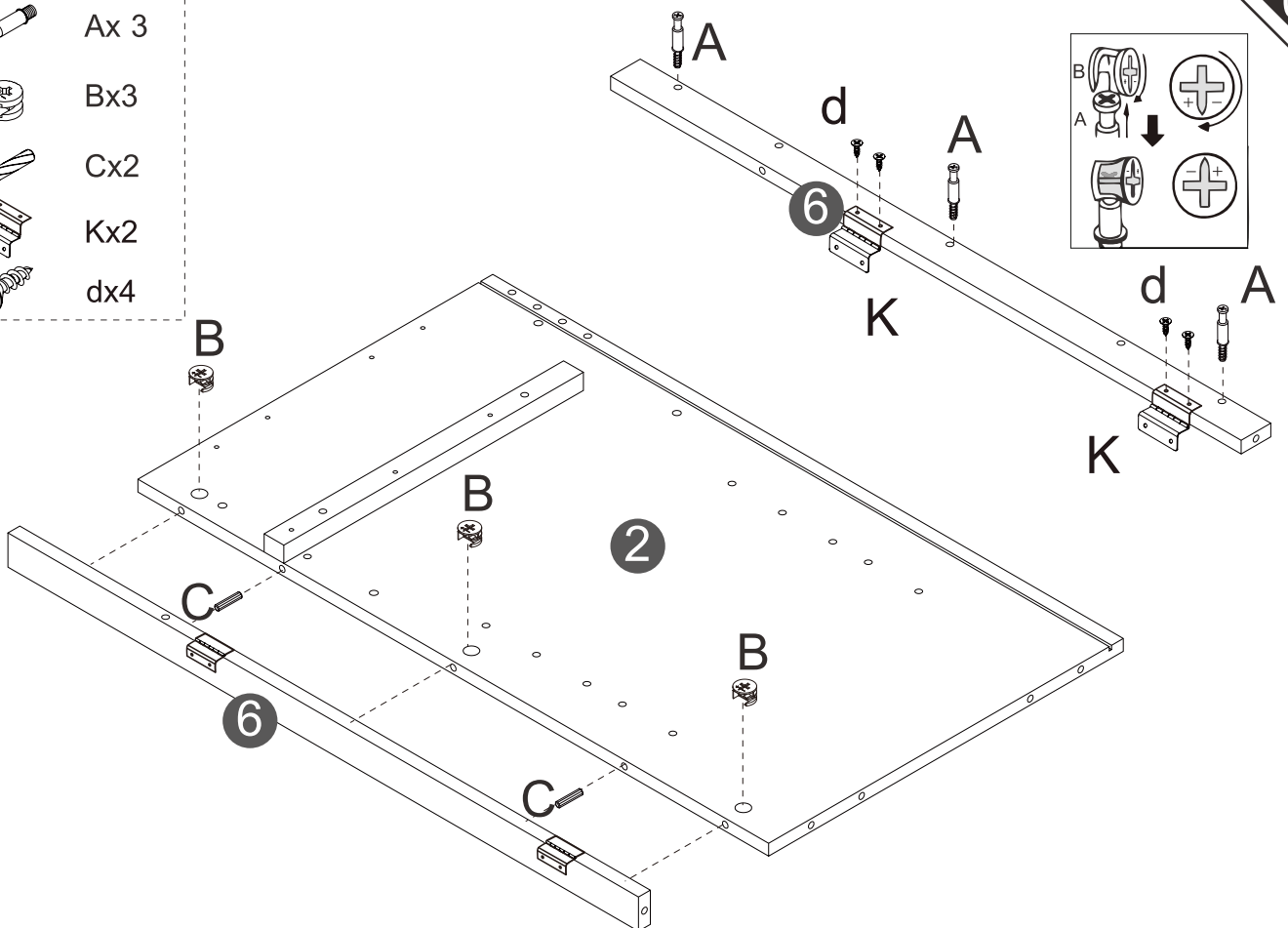
**30 x 1**

<p><b>A x24</b></p>  <p>6x40mm</p>	<p><b>B x24</b></p> 	<p><b>C x29</b></p> 	<p><b>D x4</b></p>  <p>6x45mm</p>
<p><b>E x56</b></p>  <p>3.5x12mm</p>	<p><b>F x24</b></p>  <p>6x12mm</p>	<p><b>G x12</b></p>  <p>4x35mm</p>	<p><b>H x14</b></p> 
<p><b>I x6</b></p>  <p>4x12mm</p>	<p><b>J x4</b></p> 	<p><b>K x4</b></p> 	<p><b>L x2</b></p> 
<p><b>M x2</b></p>  <p>CL x2 + CR x2 + DL x2 + DR x2</p>			<p><b>N x4</b></p> 
<p><b>O x1</b></p> 	<p><b>P x3</b></p> 	<p><b>Q x3</b></p> 	<p><b>R x2</b></p> 
<p><b>S x6</b></p> 	<p><b>T x8</b></p> 	<p><b>U x1</b></p> 	<p><b>V x8</b></p>  <p>3x14mm</p>
<p><b>W x2</b></p> 	<p><b>X x1</b></p>  <p>x1 x2</p>	<p><b>Y x1</b></p> 	<p><b>Z x1</b></p> 
<p><b>a x17</b></p>  <p>4x35mm</p>	<p><b>b x8</b></p> 	<p><b>d x40</b></p>  <p>3x12mm</p>	<p><b>SPARE BAG</b></p>  <p>Please put the hardware of +2 in this self sealing bag</p>

-  ax2
-  Cx2

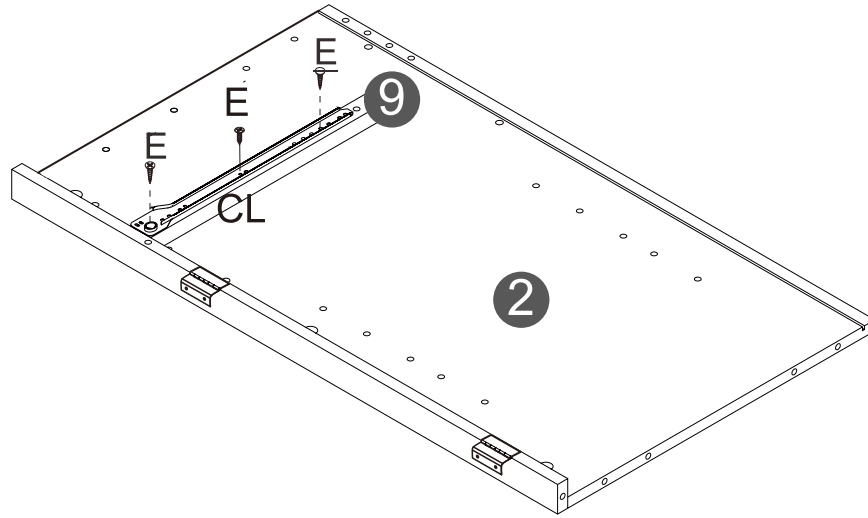


-  Ax 3
-  Bx3
-  Cx2
-  Kx2
-  dx4

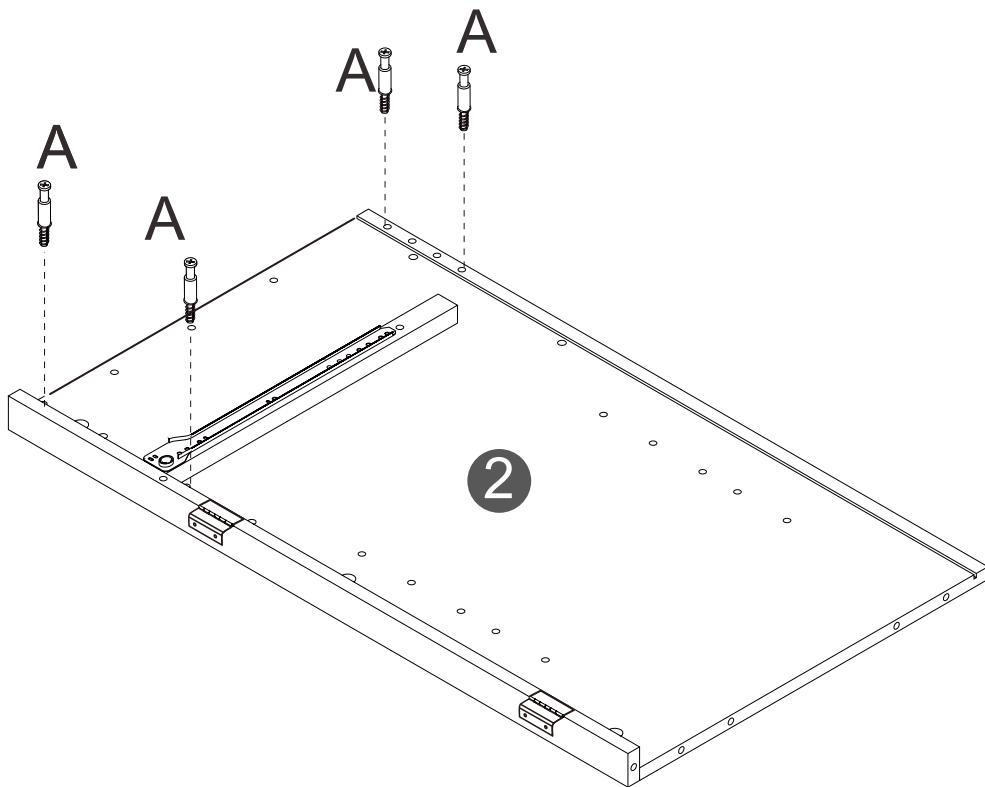




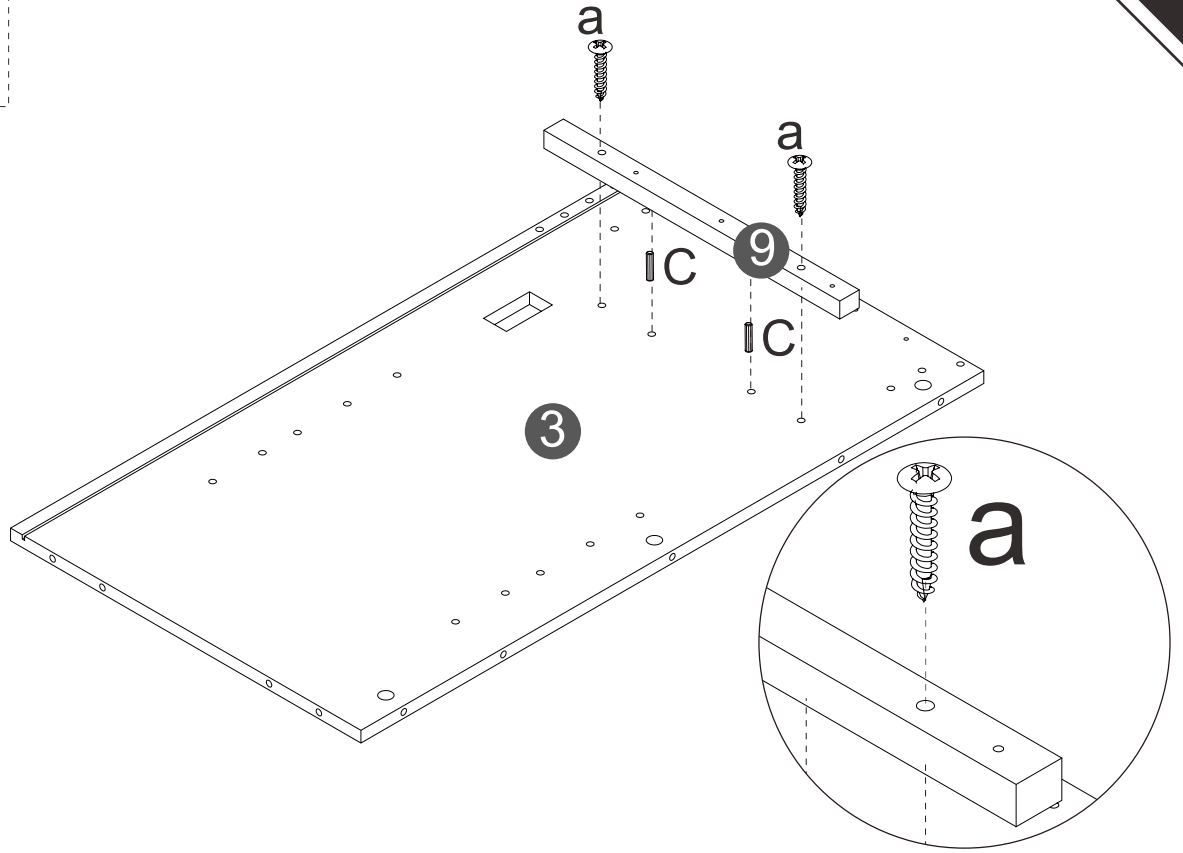
Ex3  
CLx1




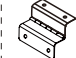



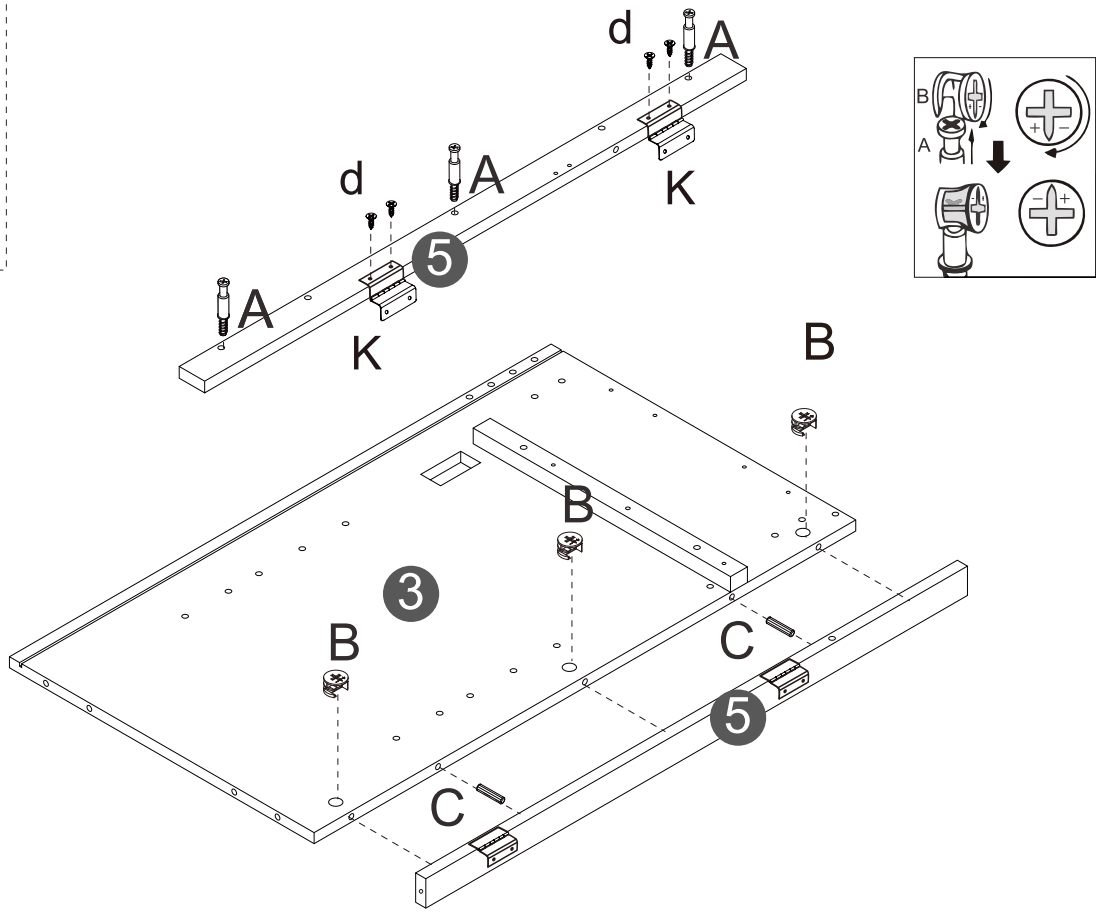
Ax 4



-  ax2
-  Cx2



-  Ax 3
-  Bx3
-  Cx2
-  Kx2
-  dx4

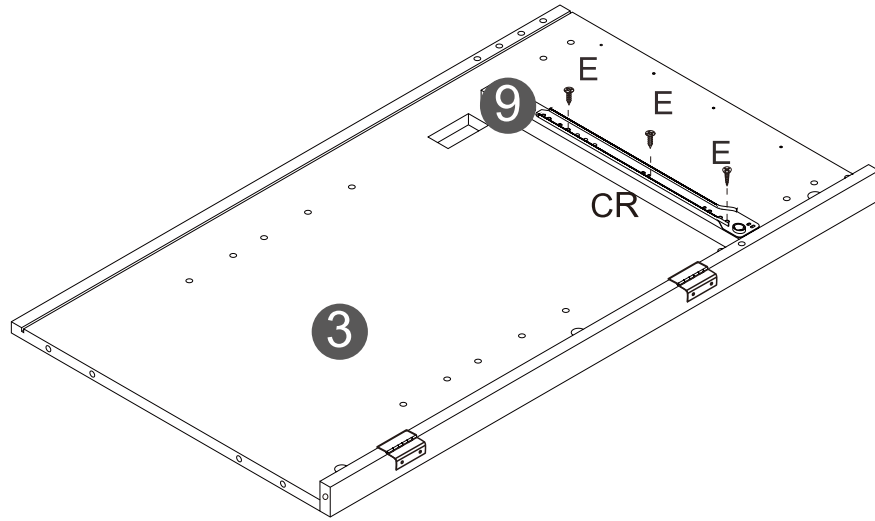
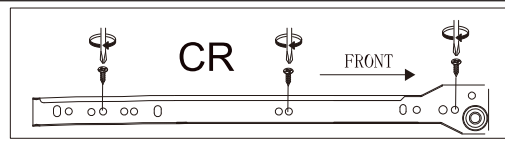




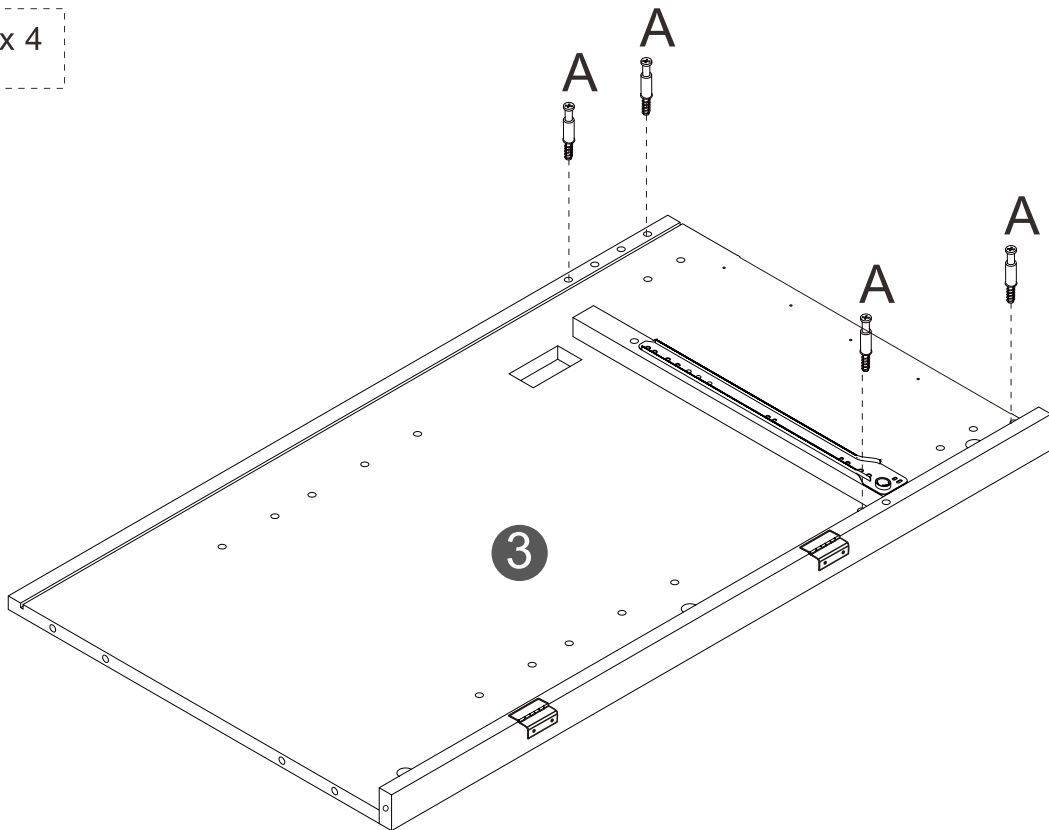
Ex3



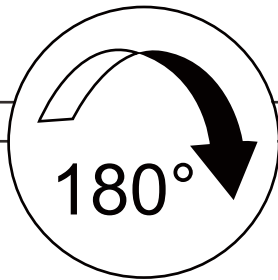
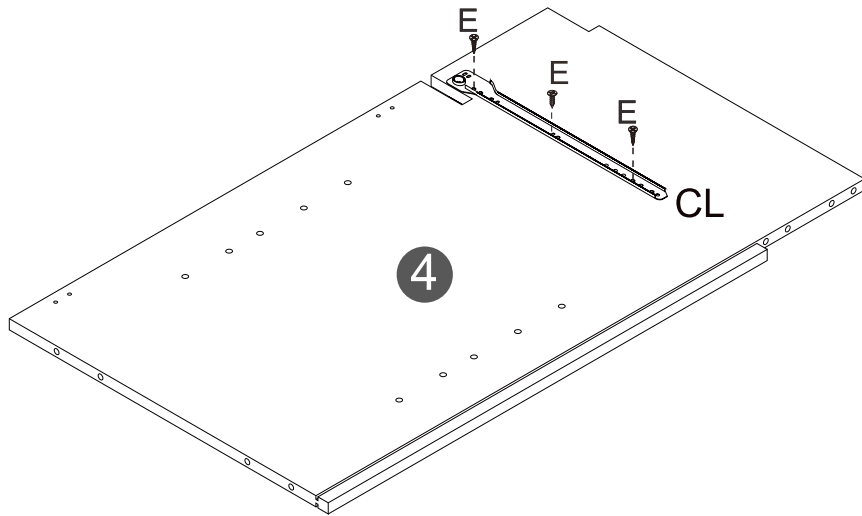
CRx1



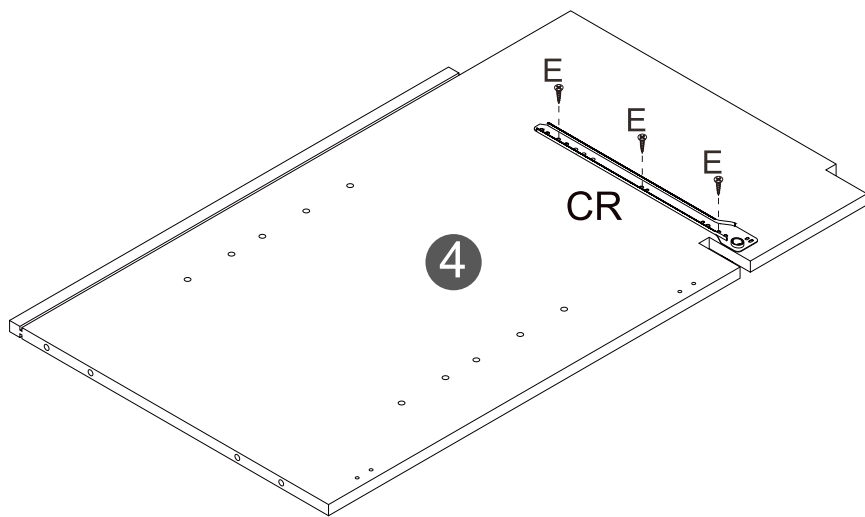
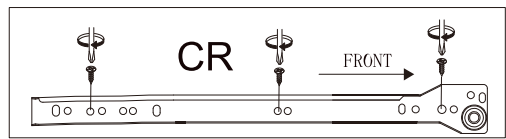
Ax 4





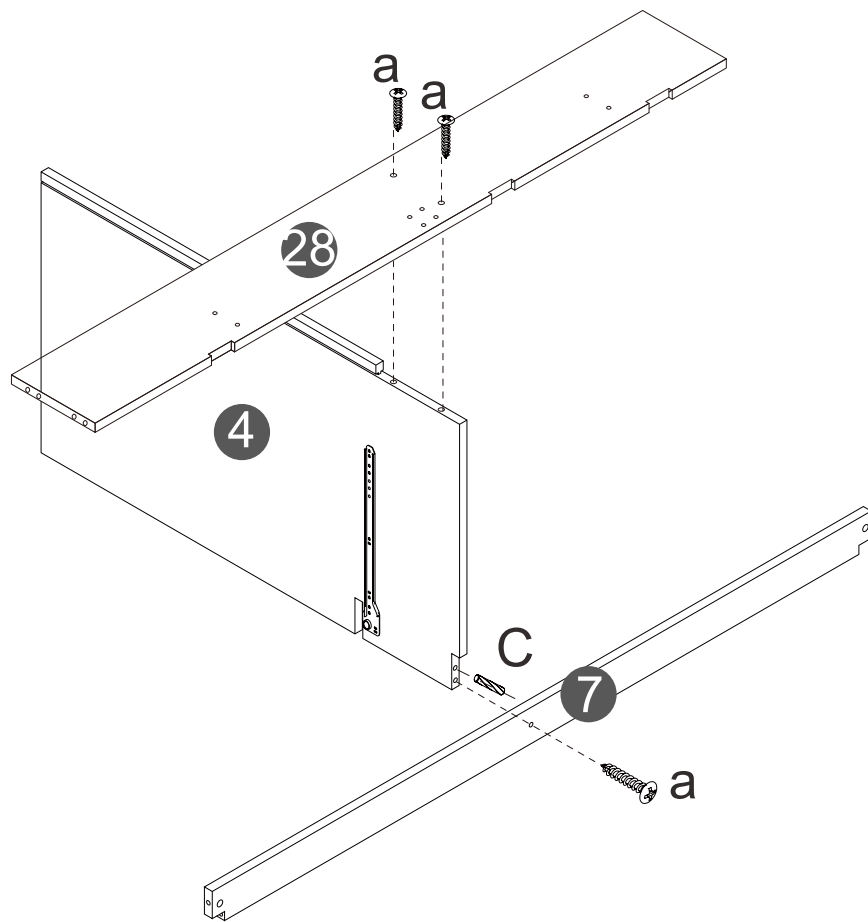
- Ex3
- CLx1





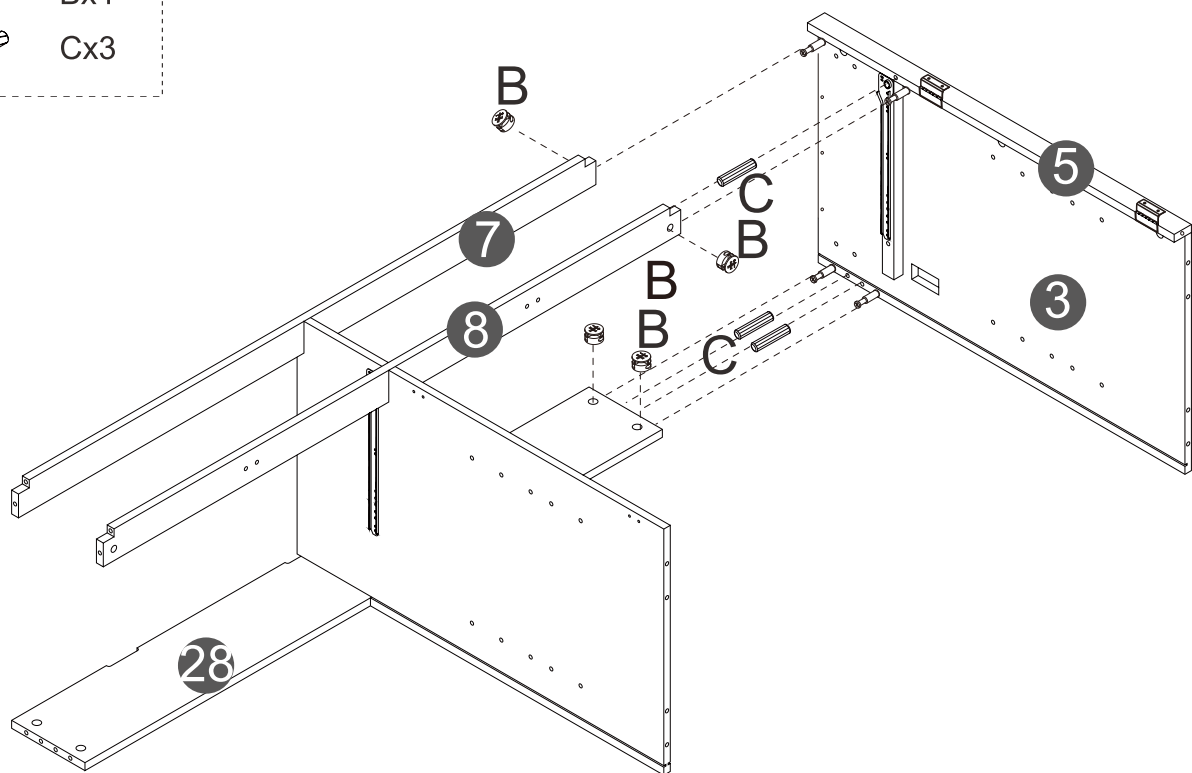
- Ex3
- CRx1





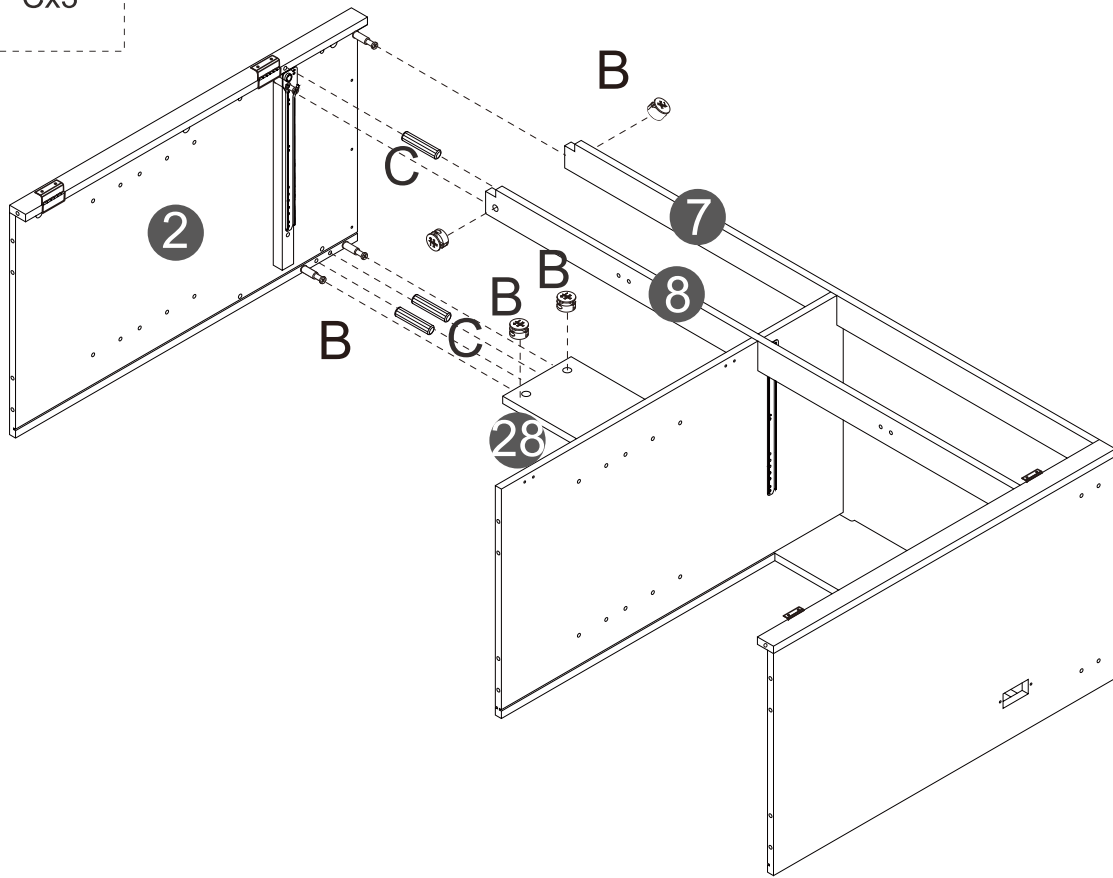
-  ax3
-  Cx1





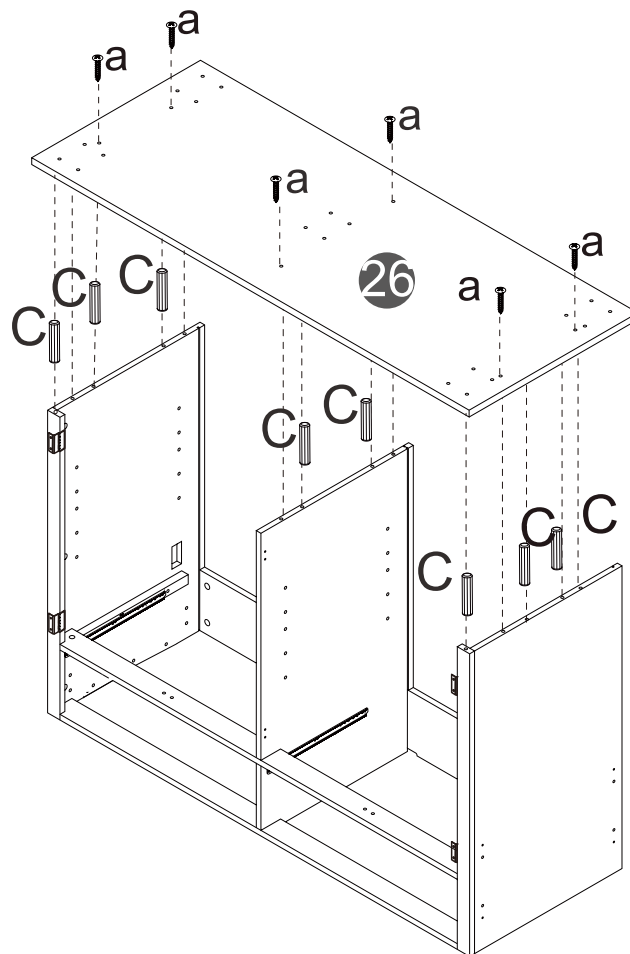
-  Bx4
-  Cx3

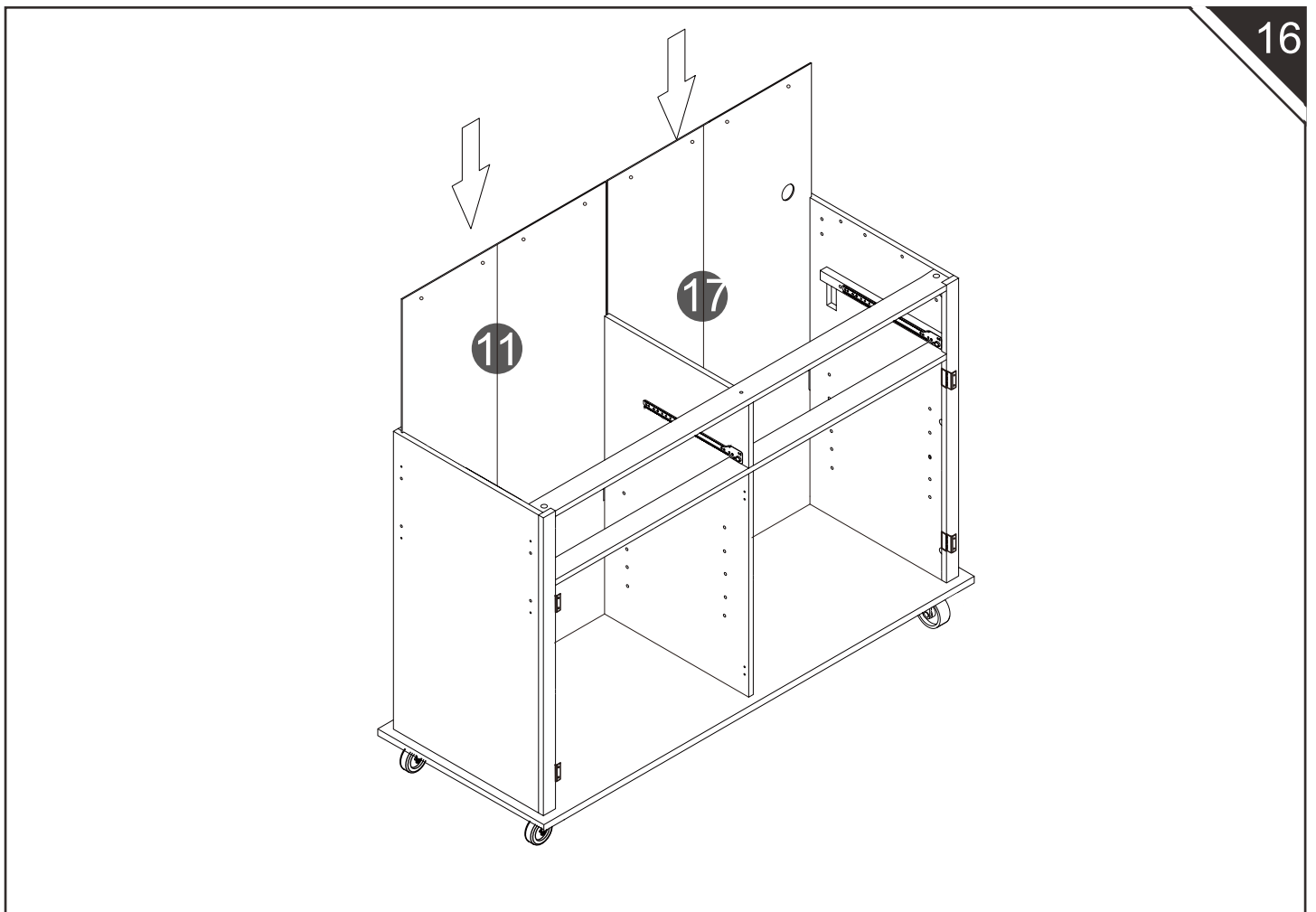
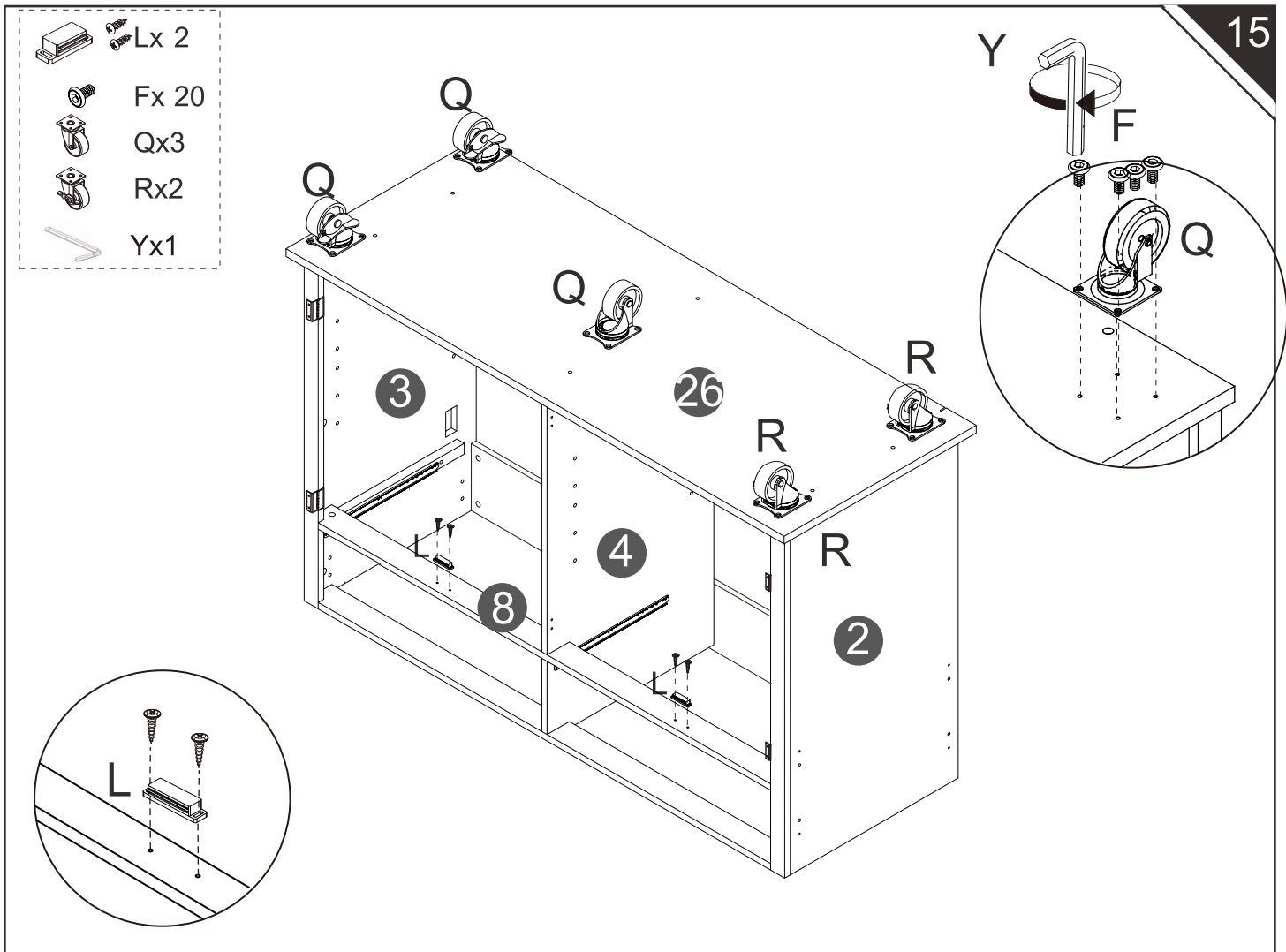


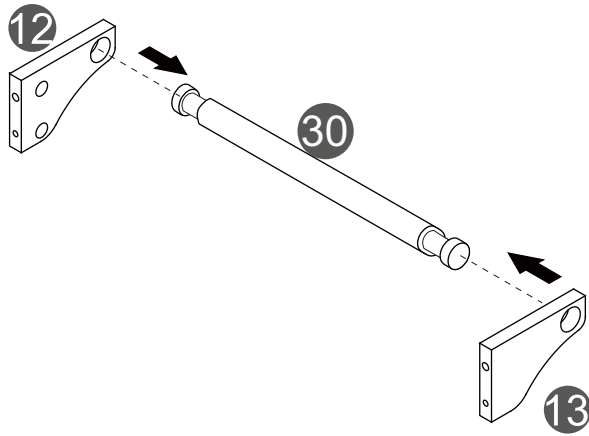
-  Bx4
-  Cx3



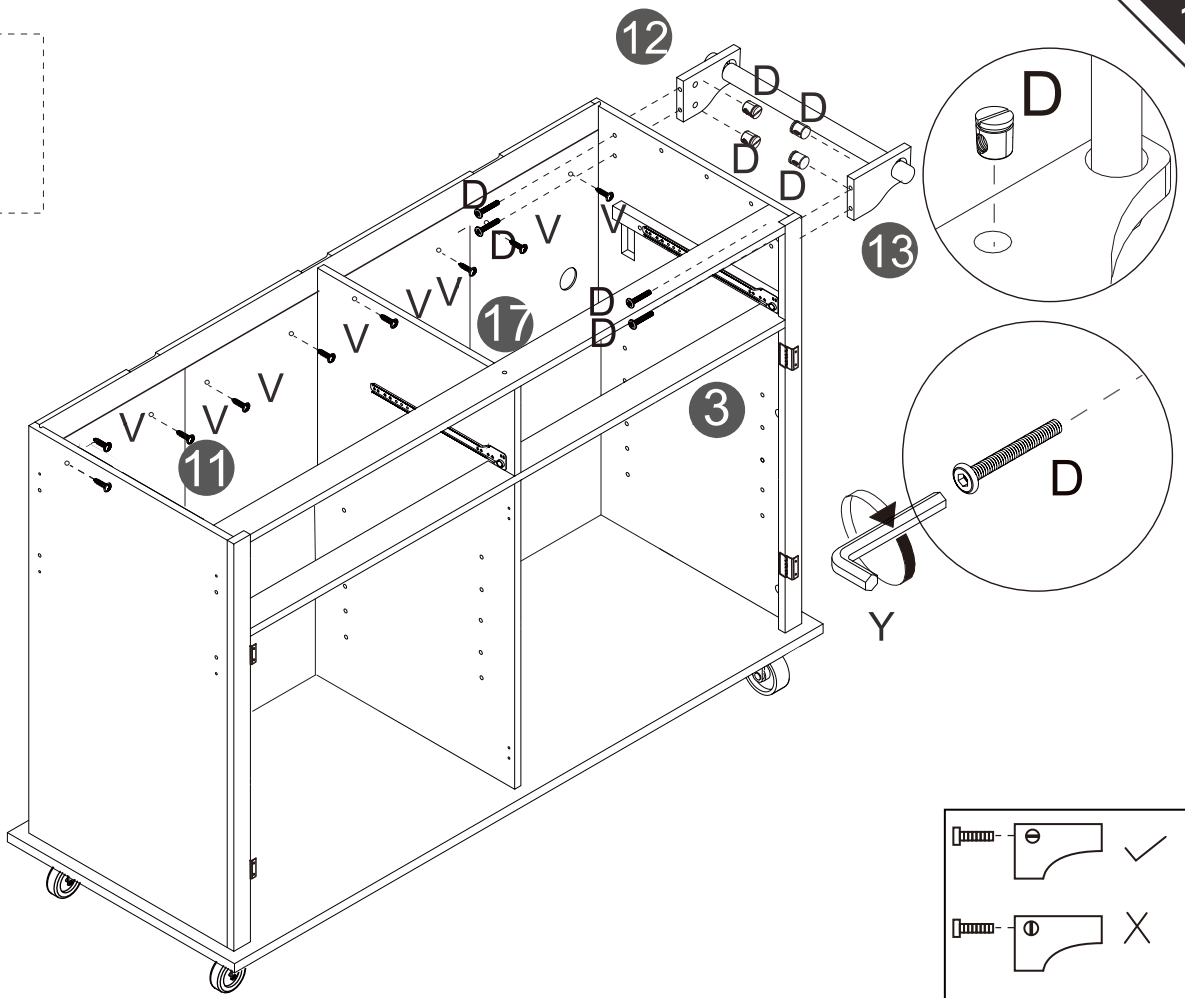
-  ax6
-  Cx8






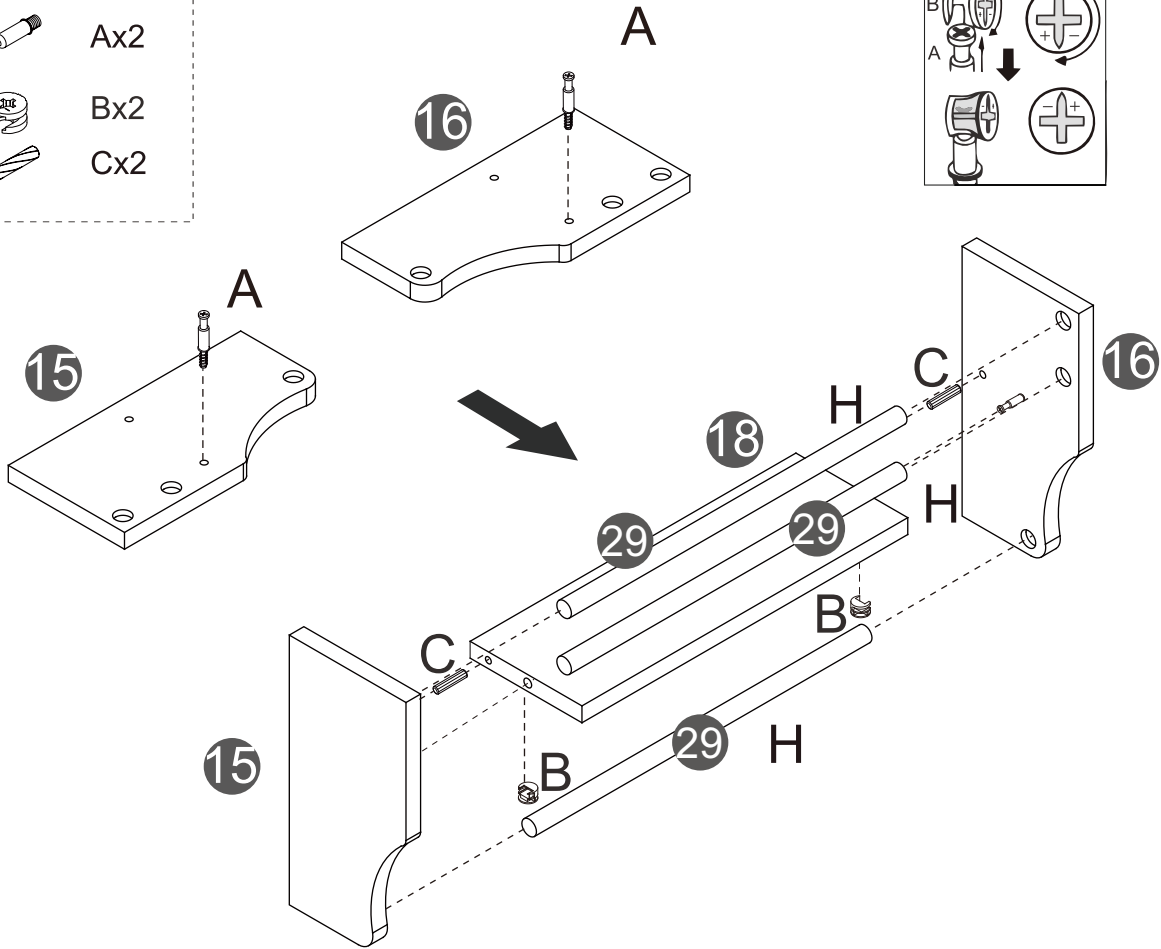
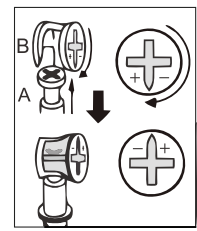






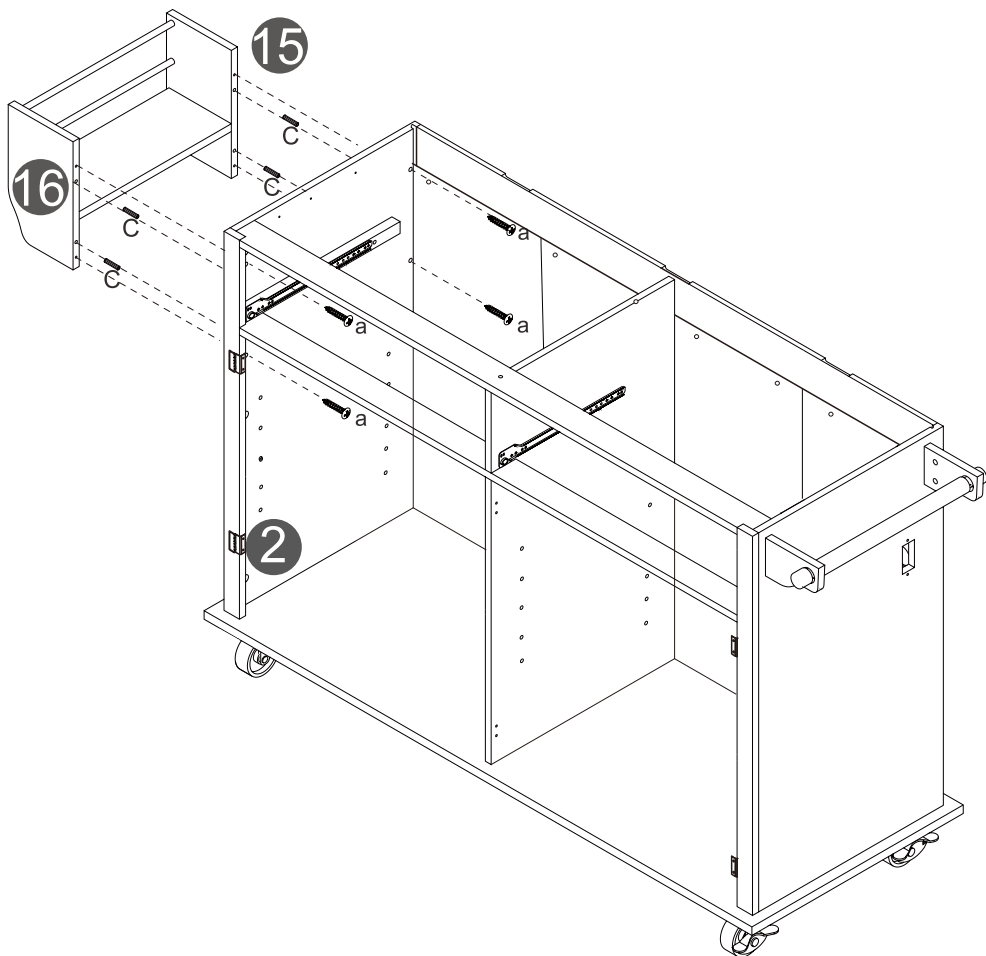
- Vx8
- Dx4
- Yx1





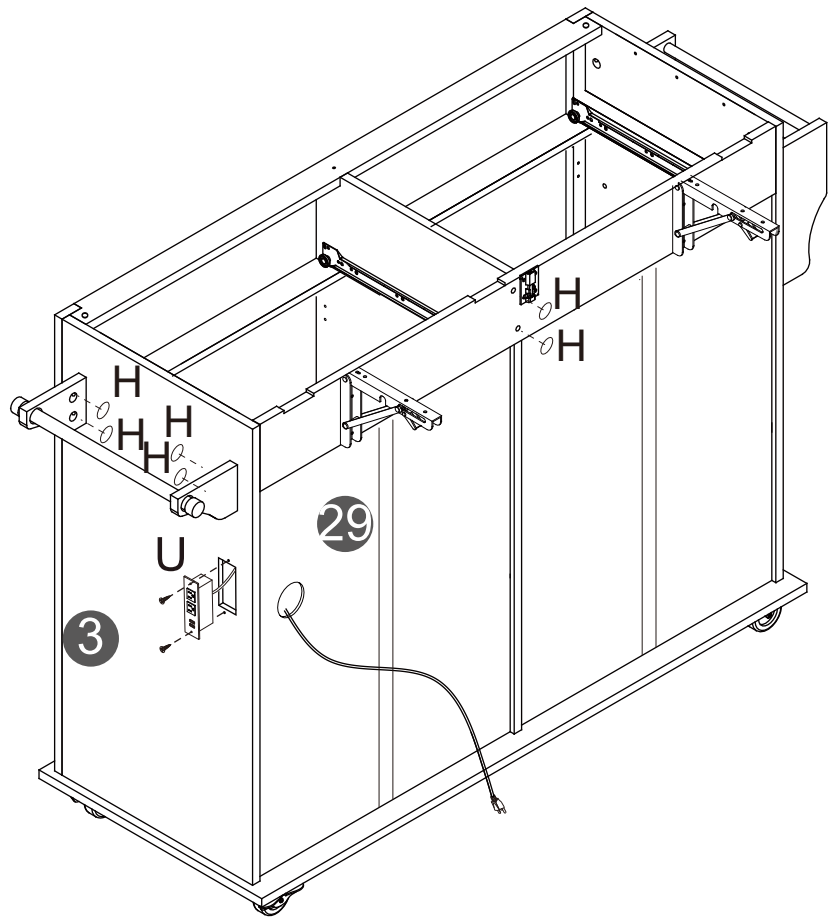
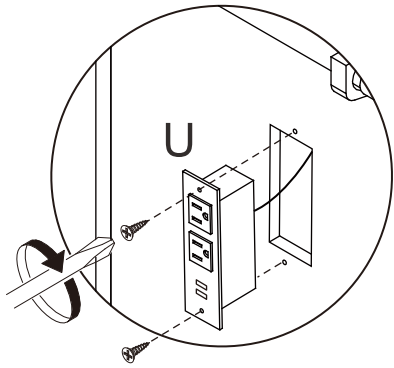
-  Ax2
-  Bx2
-  Cx2









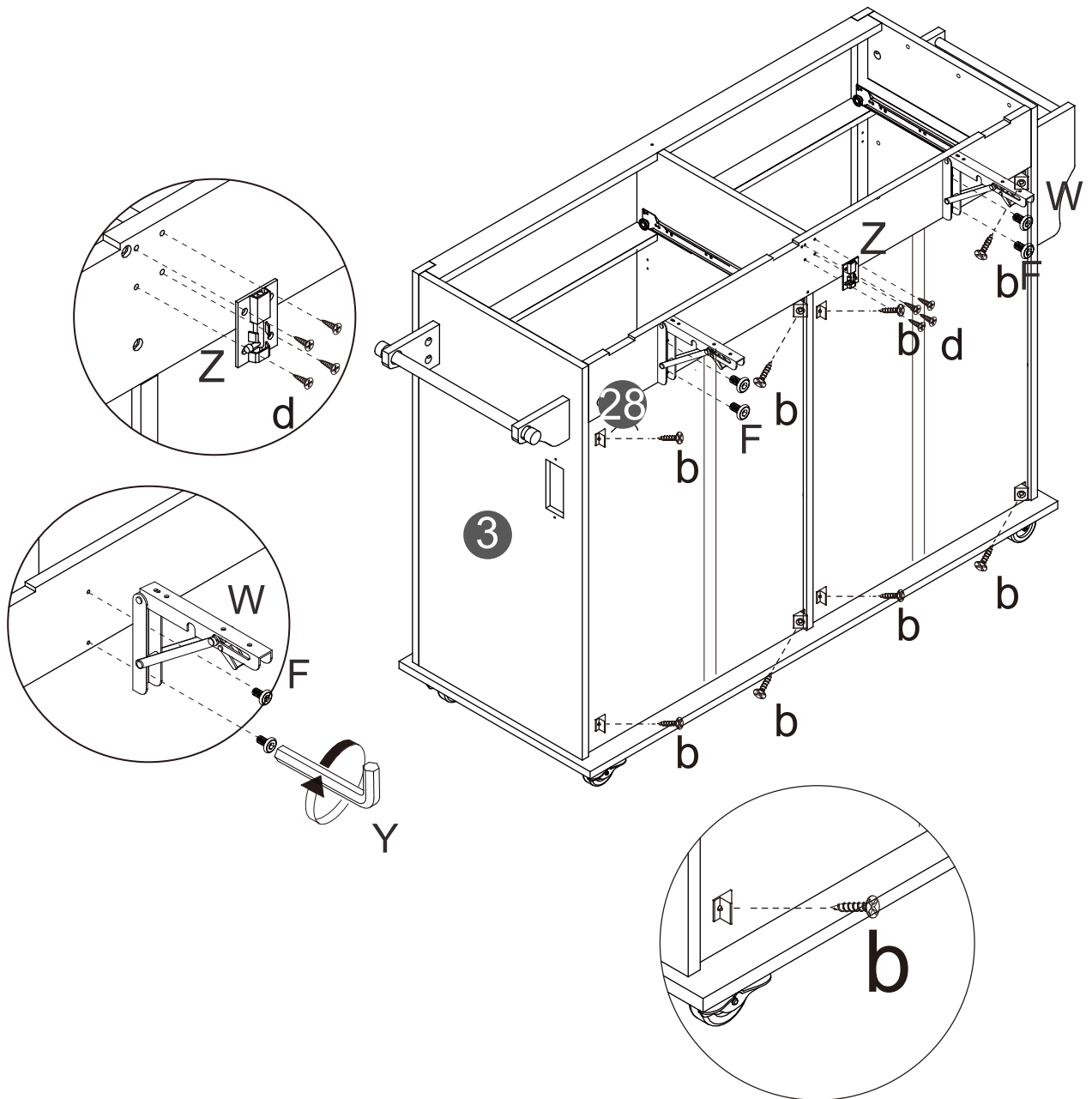
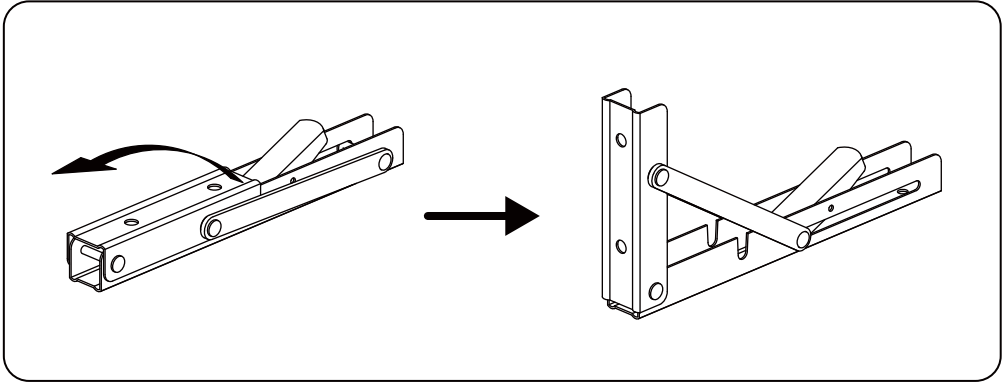
-  ax4
-  Cx4







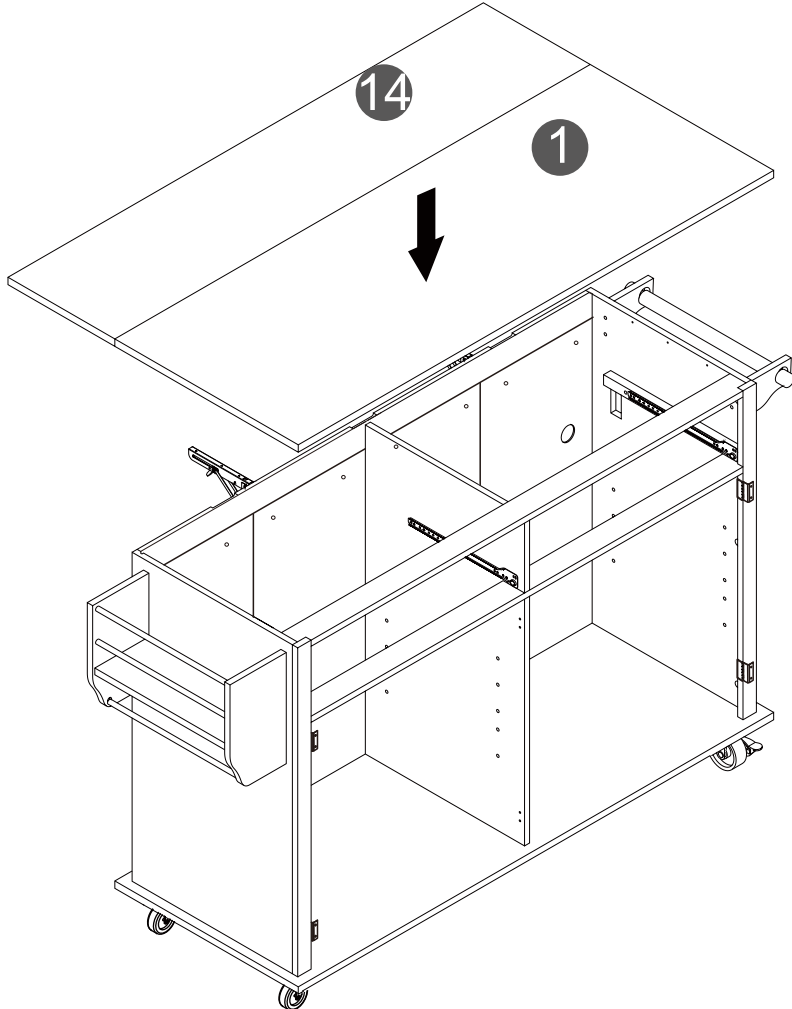
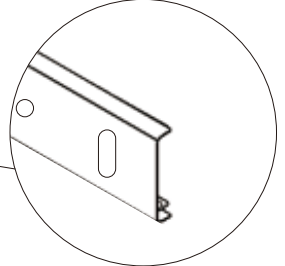
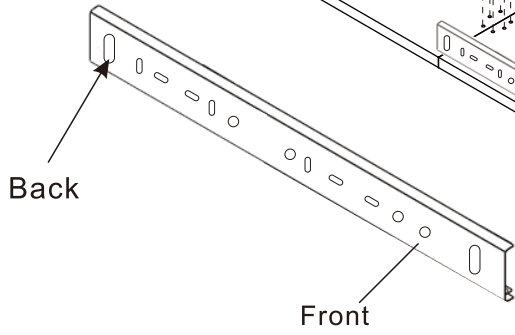
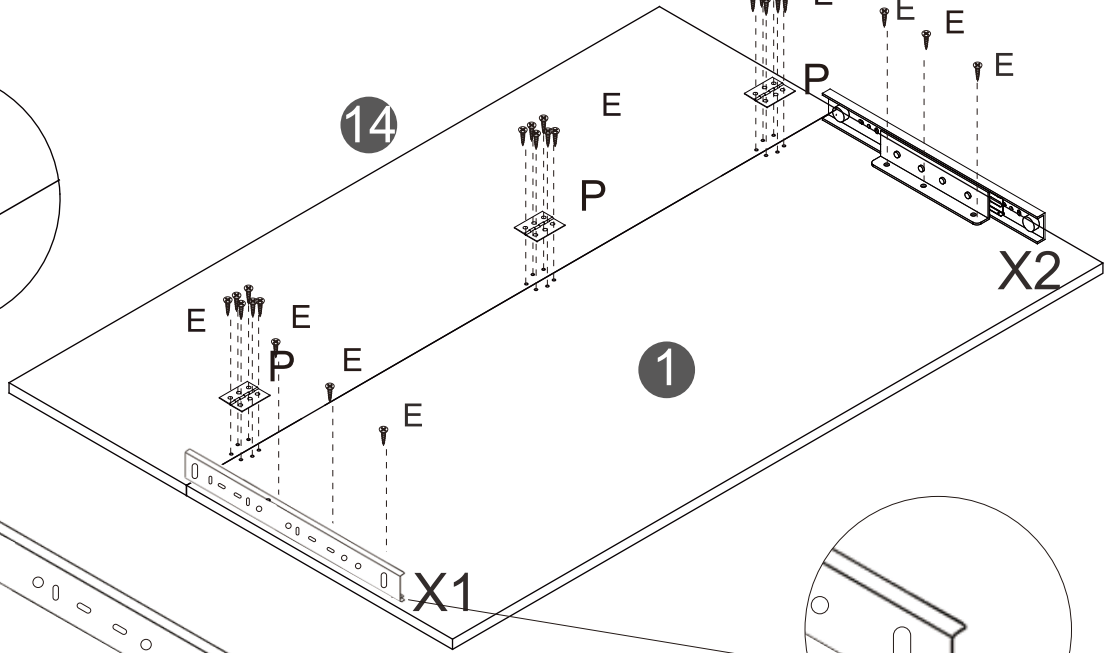
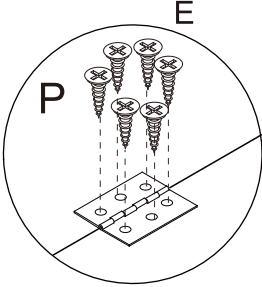
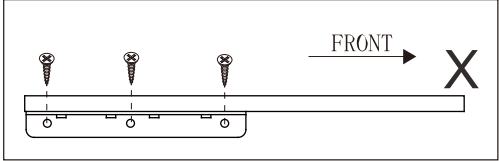
-  U x1
-  H x6



-  Zx 1
-  Wx2
-  Y x1
-  dx4
-  Fx4
-  bx8



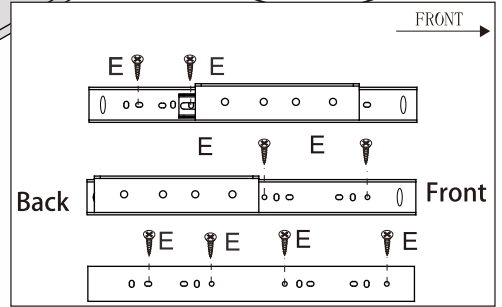
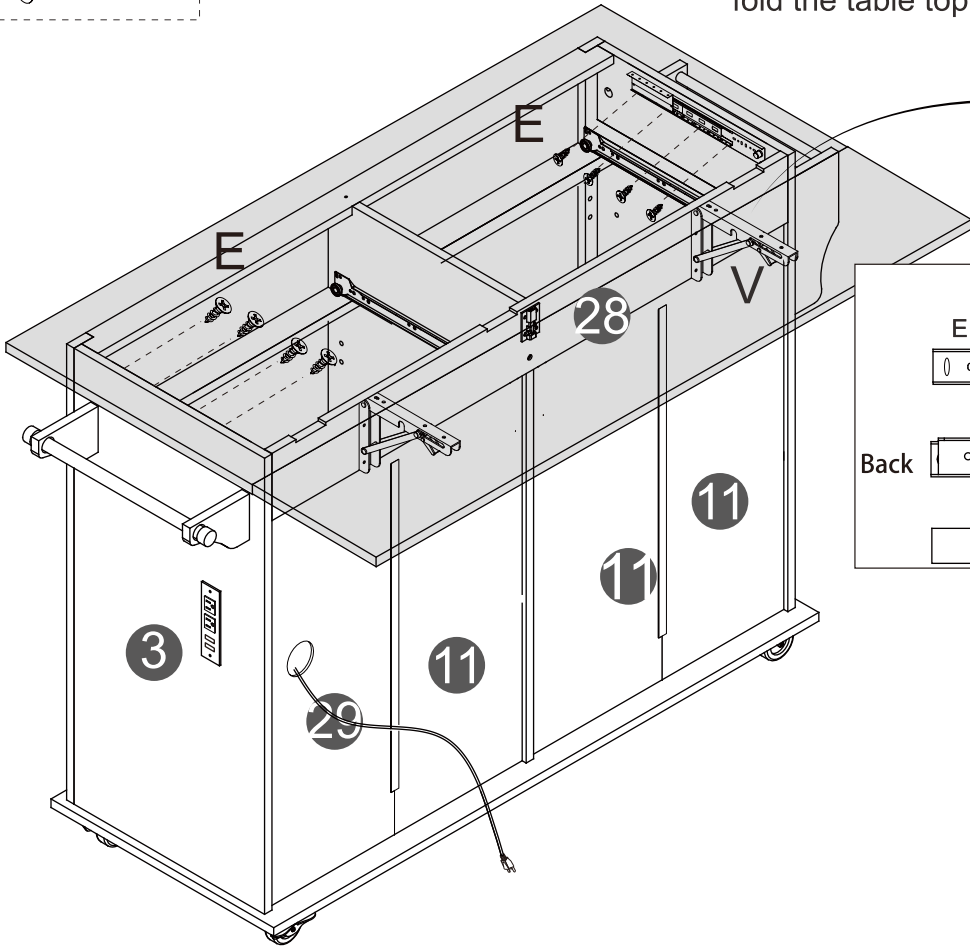
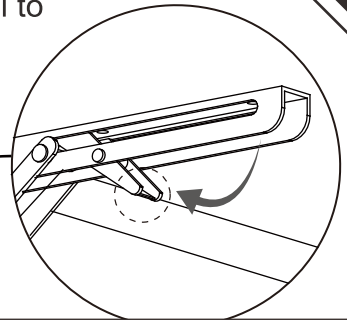
-  Px3
-  E x24
-  X1
-  X2



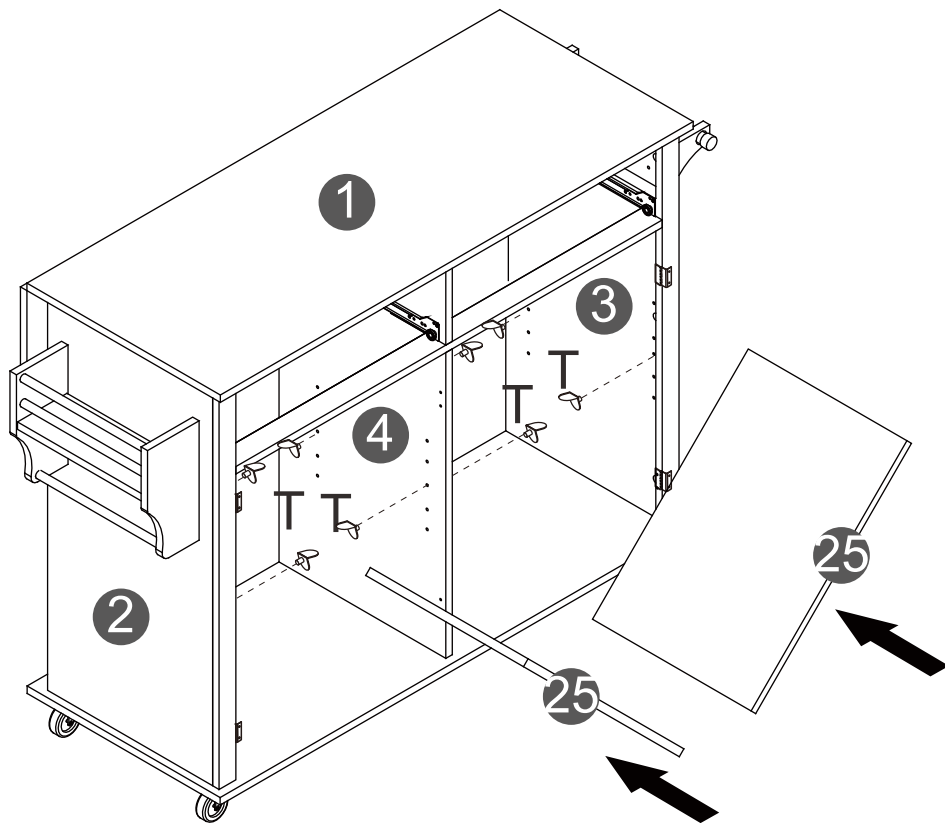



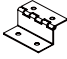

E x8

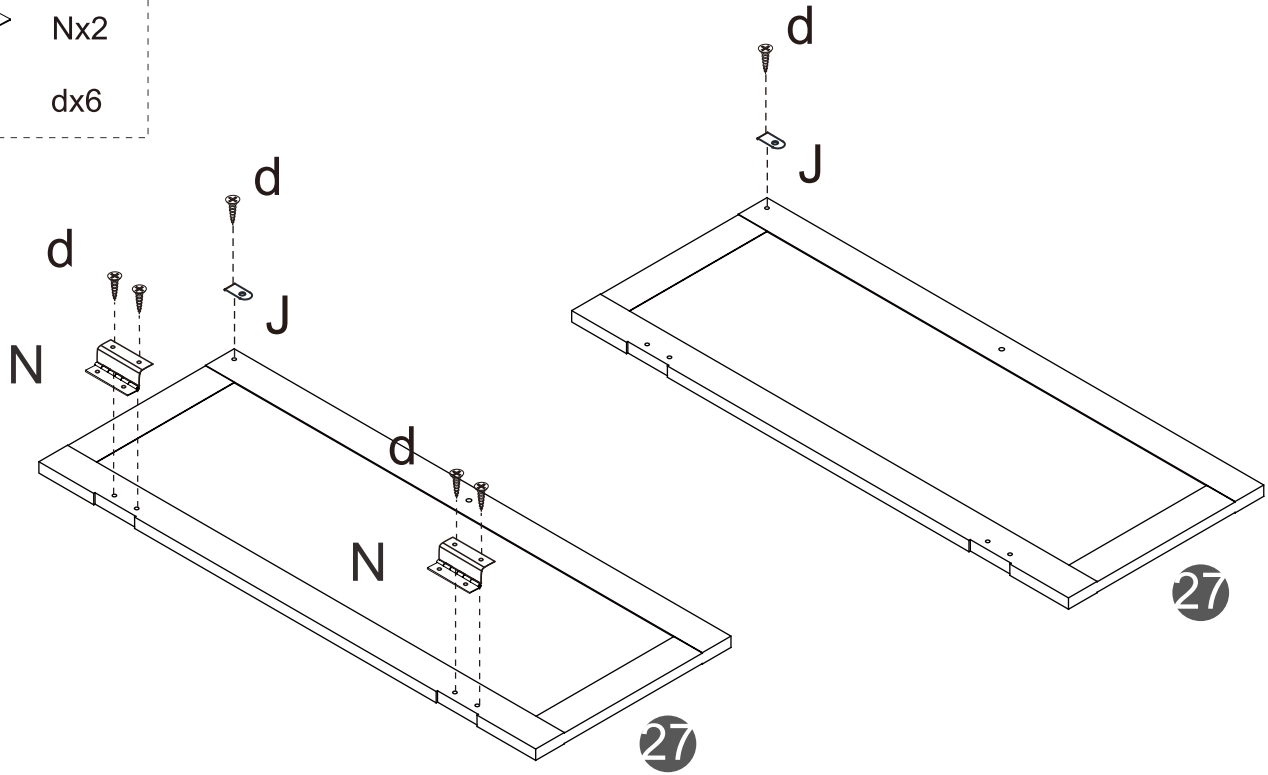
Press the handrail to fold the table top






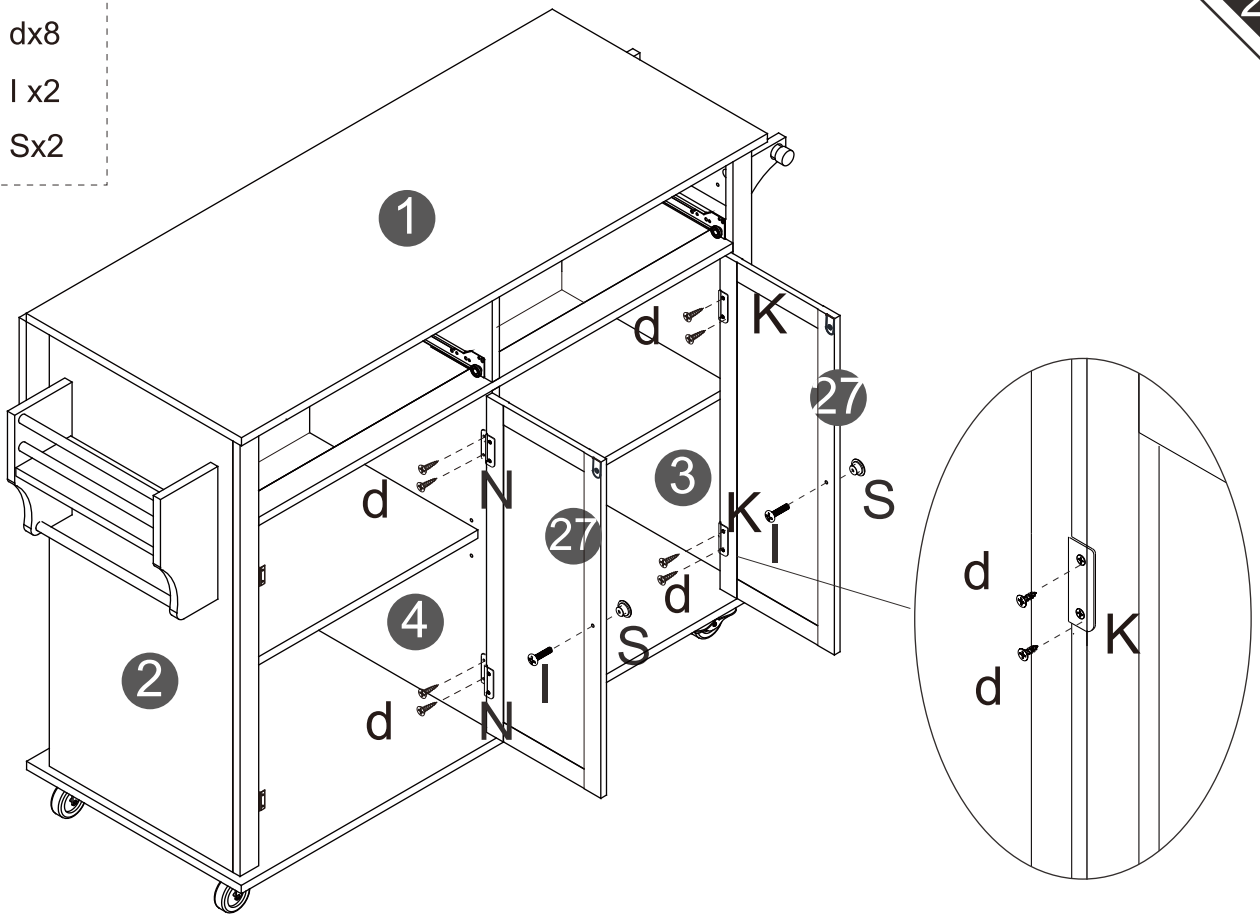
Tx 8



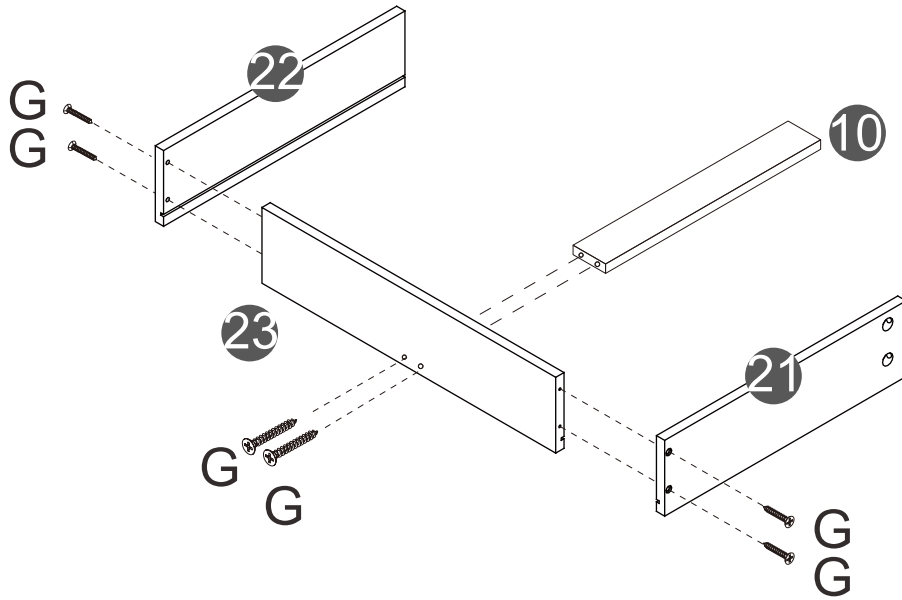
-  J x2
-  N x2
-  dx6



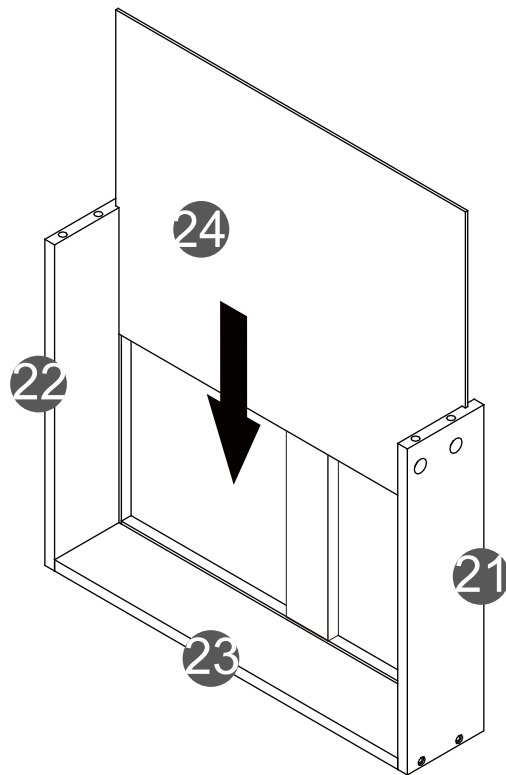
-  dx8
-  l x2
-  S x2








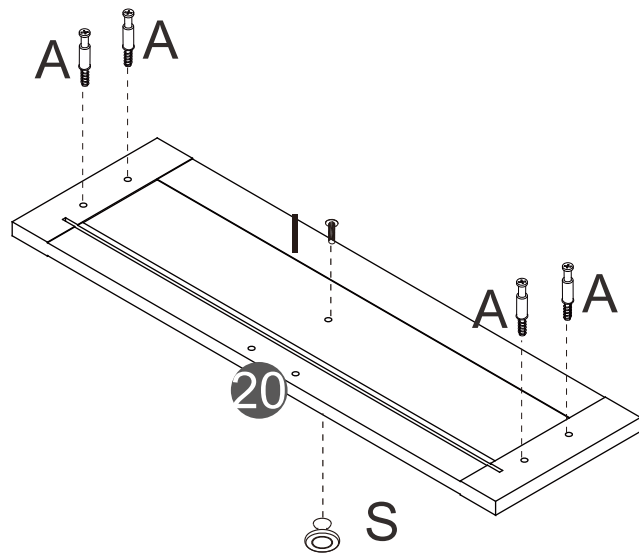


x2





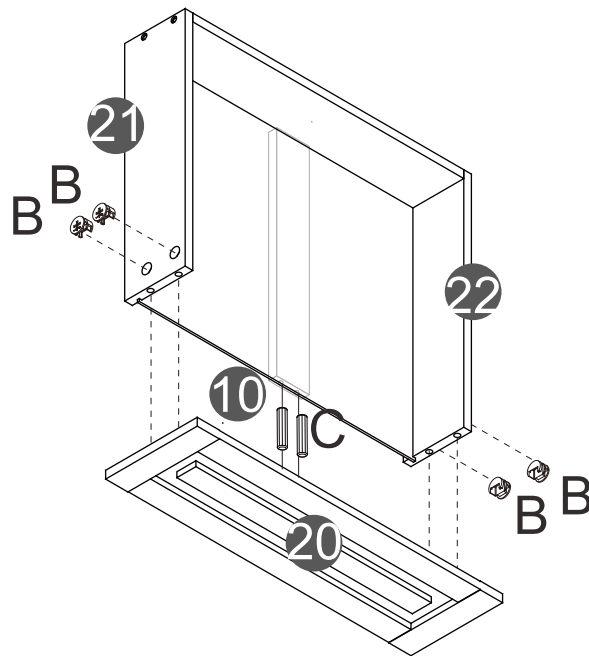
x2

-  Ax 8
-  Ix2
-  Sx2







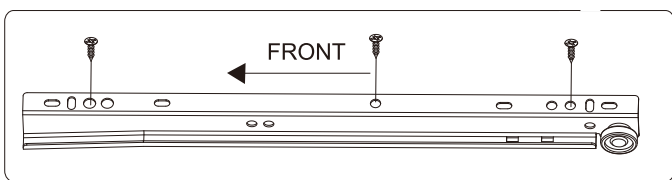
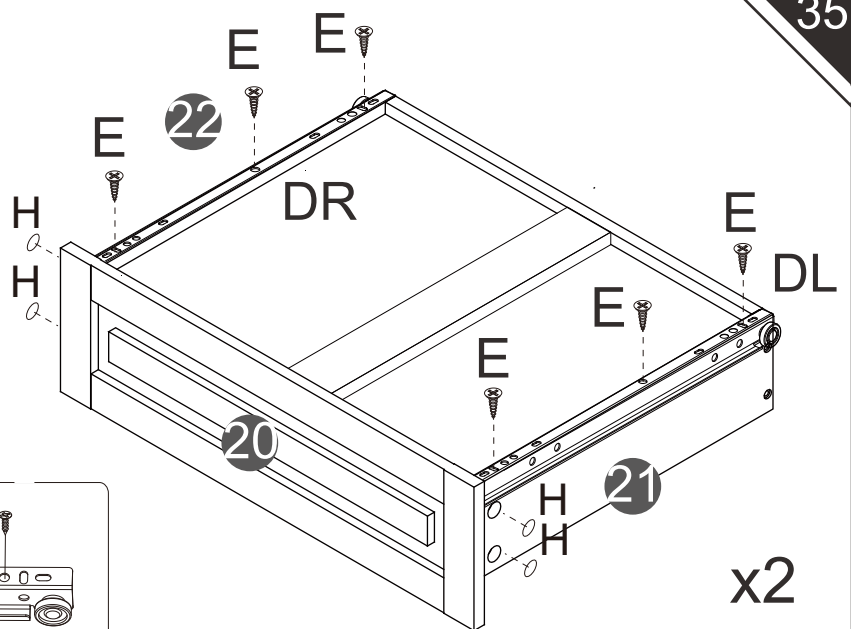
x2

-  Bx 8
-  Cx4

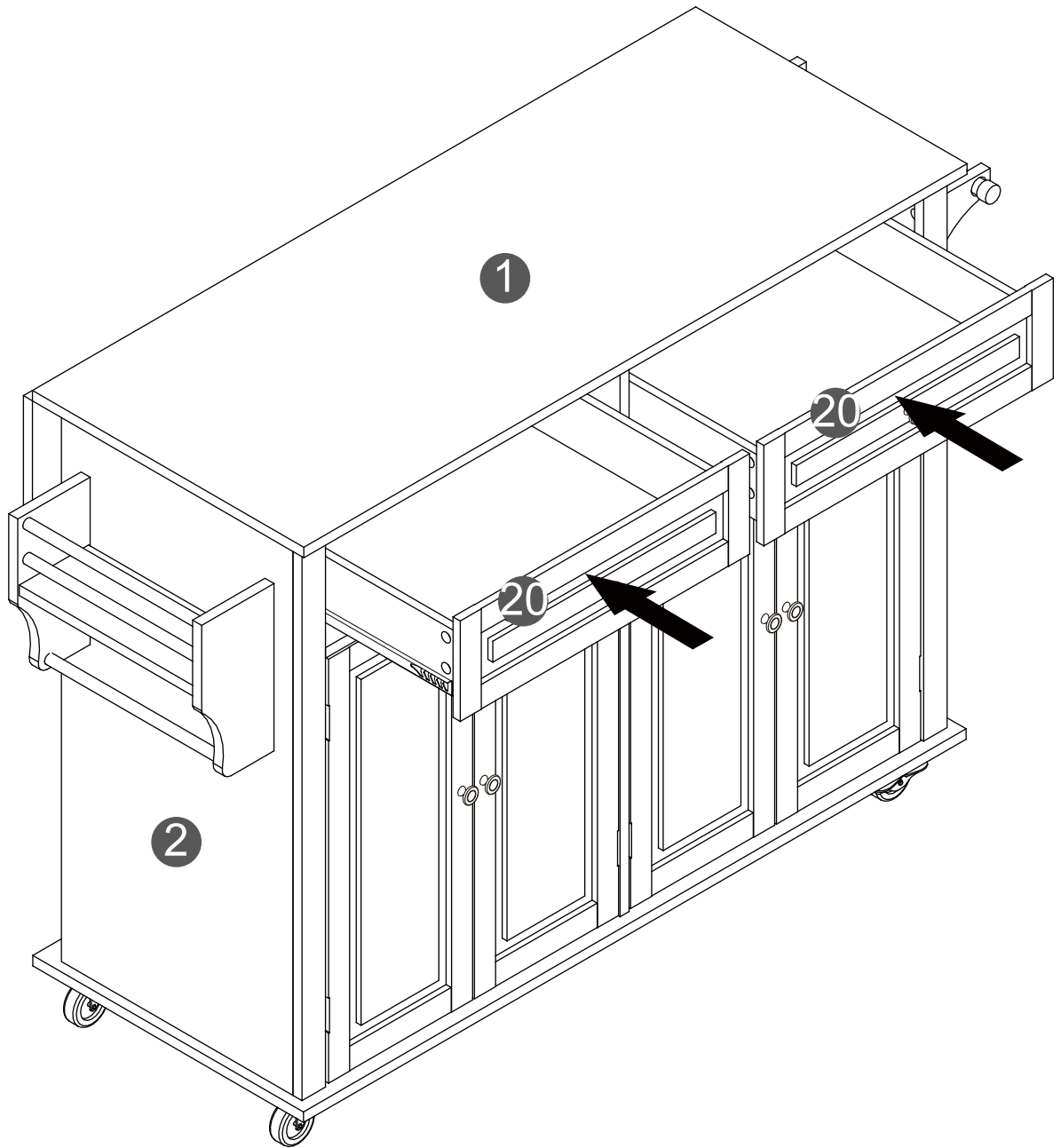


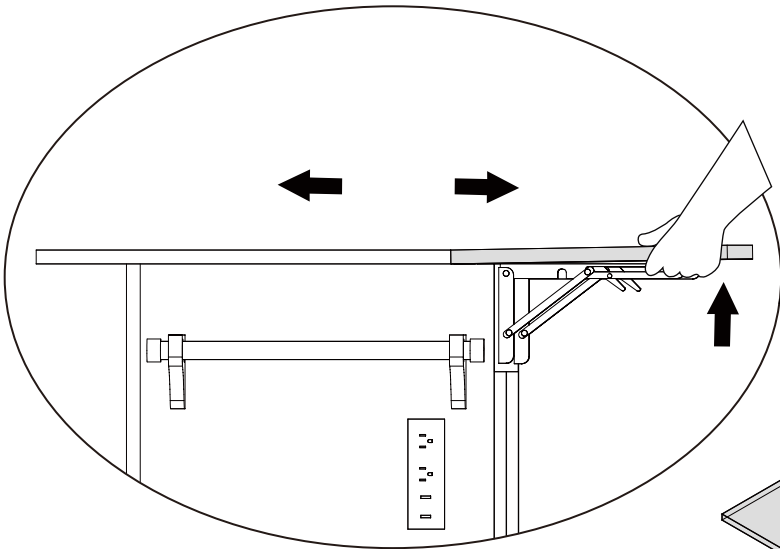
x2

-  Ex12
-  DLx2
-  DRx2
-  H x8

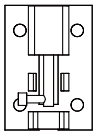
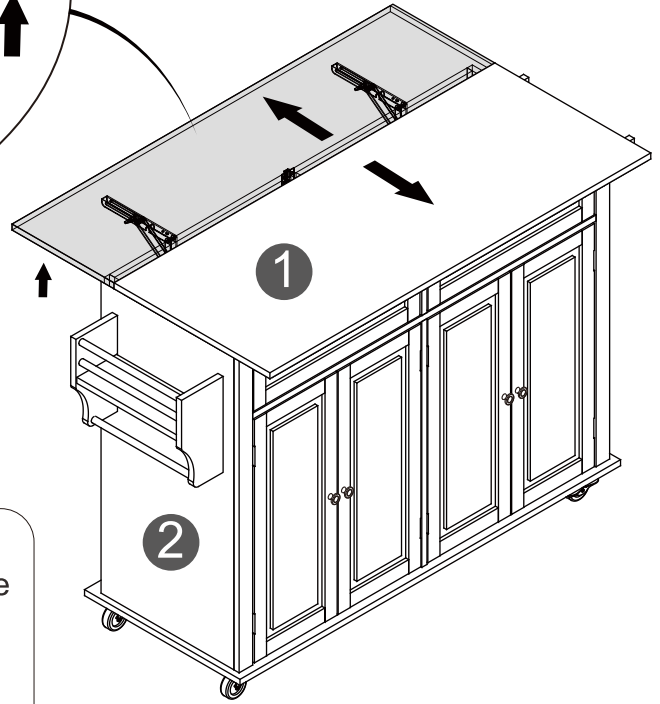


x2

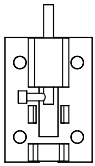




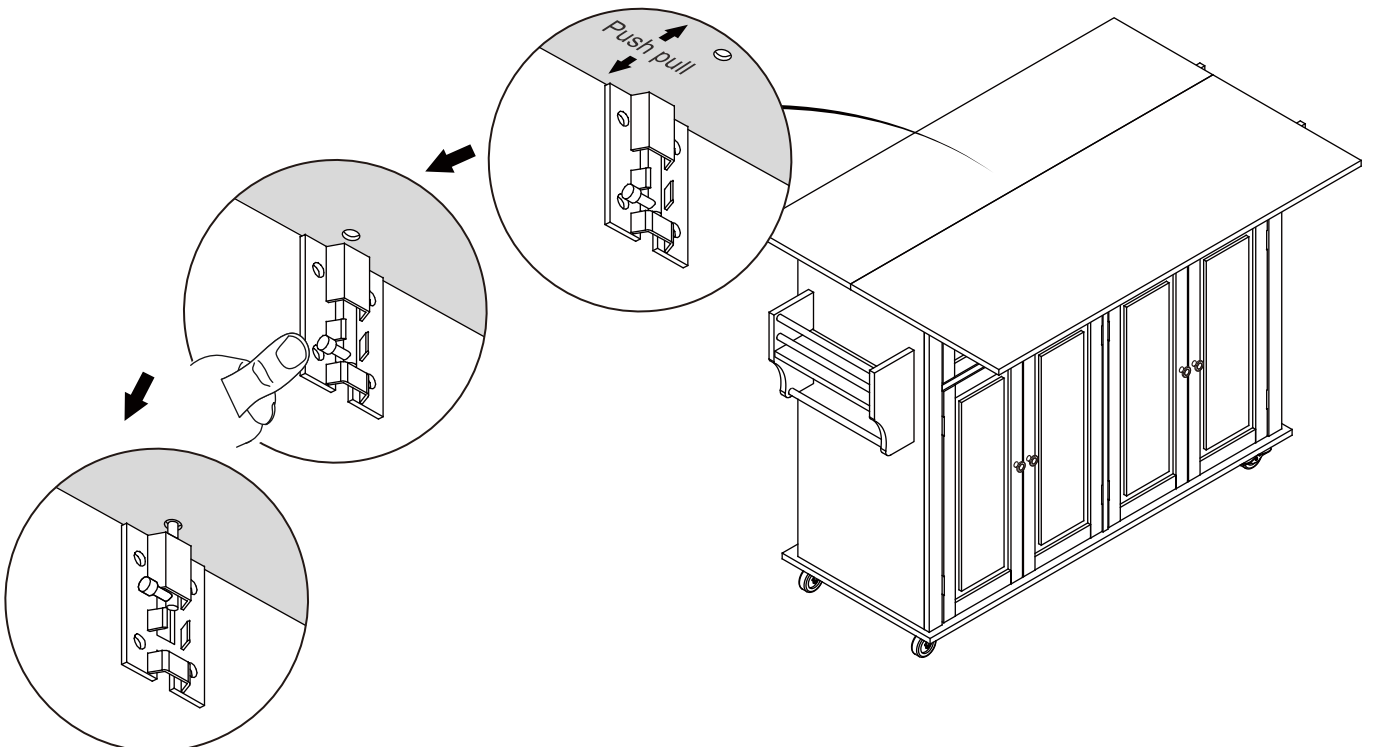
Gently lift the small panel and push panel 1.



The current position of this latch handle can push and pull the table panel



The position of this latch handle will secure the panel.



Push the latch into the panel hole to secure the panel.