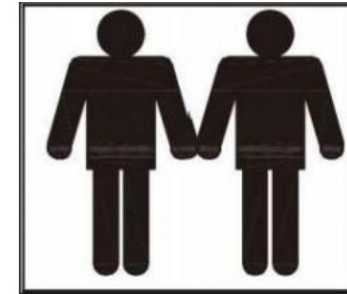
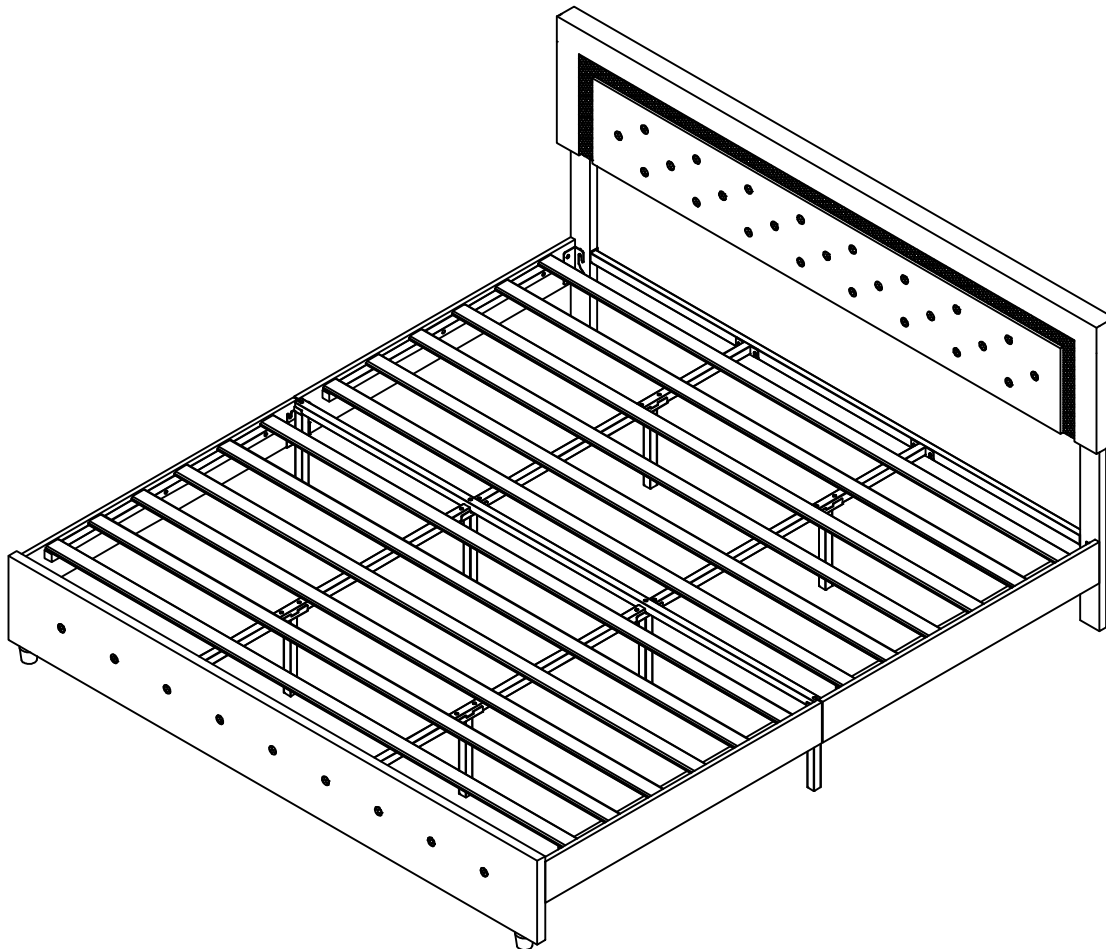


Assembly Instruction

Note:

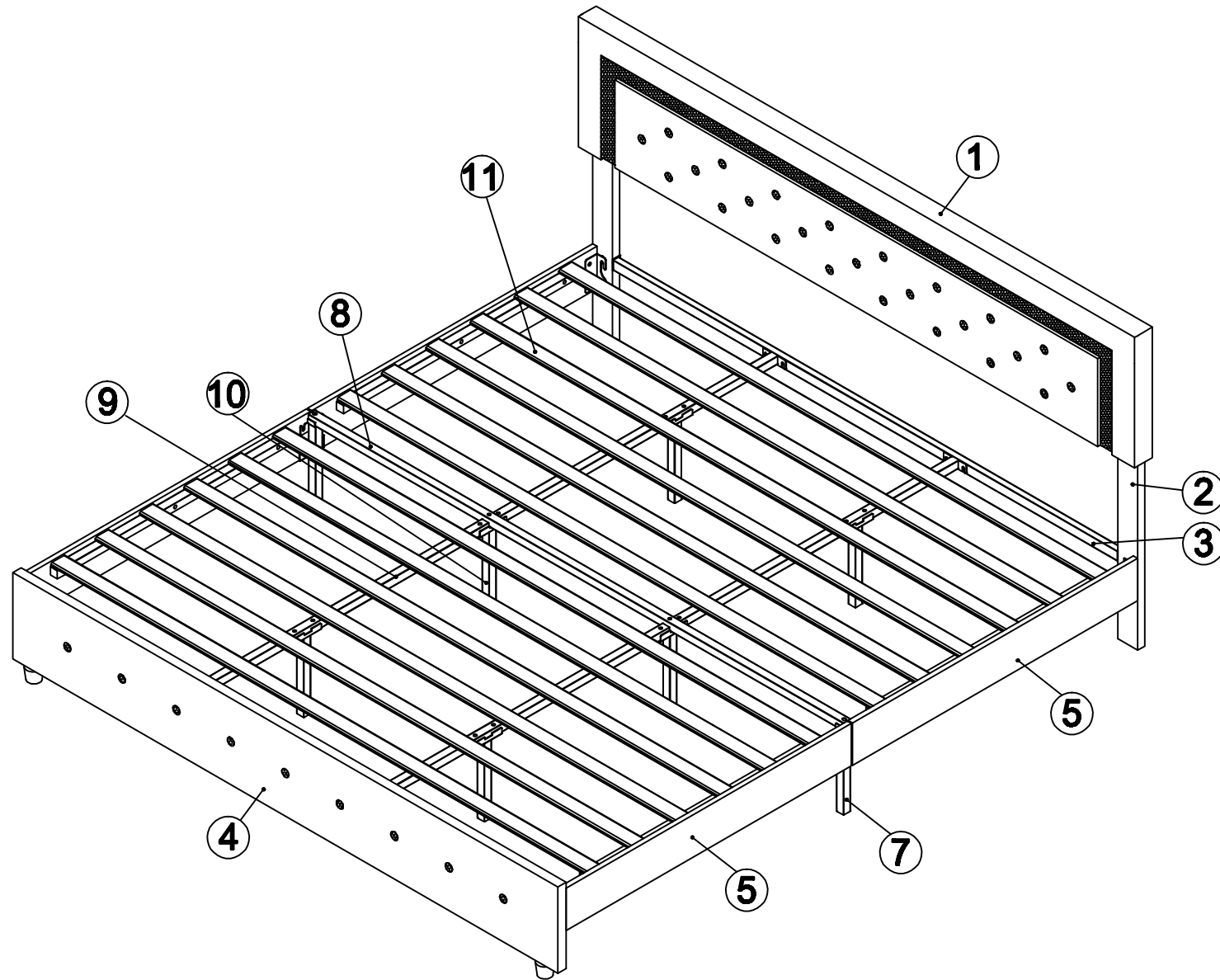
- 1. Should be assembled on flat ground to keep balance.**
- 2. Before completing the installation, do not tighten the screws.**



It needs at least two people to install.



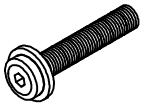
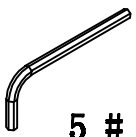


Before starting the assembly, you must read the whole manual and follow the instructions.

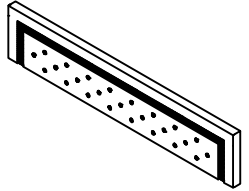

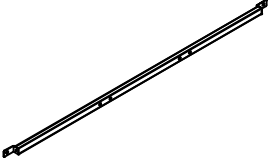
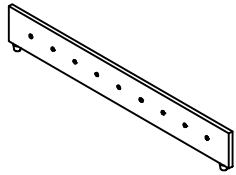
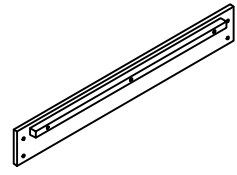

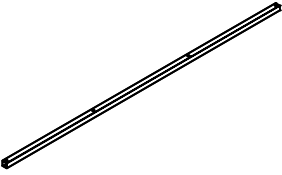
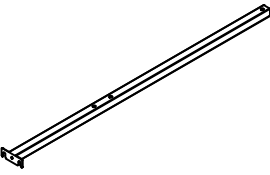
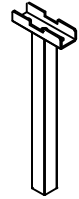
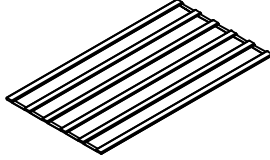

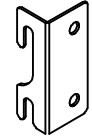


Assembly Instruction



Hardware arts

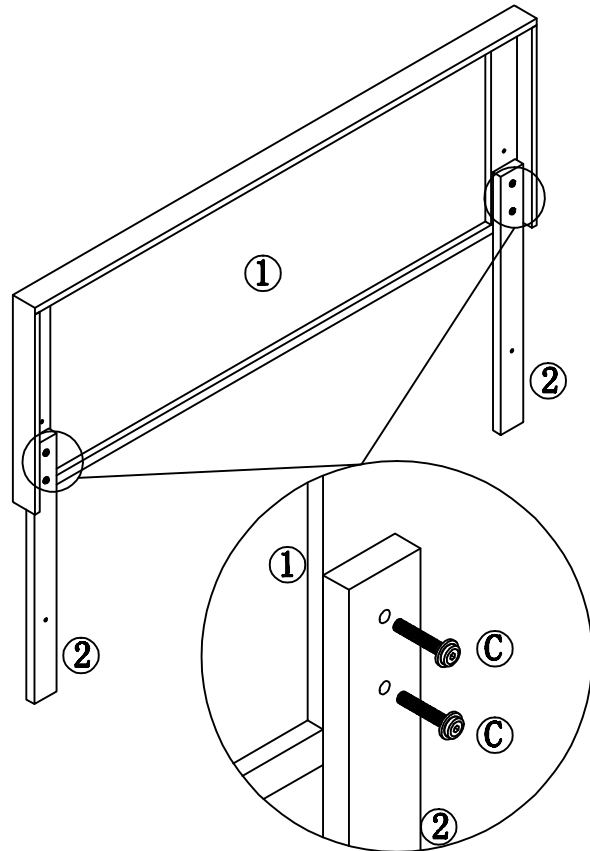
 <p>Ⓐ M8x15 34pc</p>	 <p>Ⓑ M8x35 14pc</p>	 <p>Ⓒ M8x45 6pc</p>	 <p>5 # Ⓓ 1pc</p>		
---	---	--	--	--	--

Part list

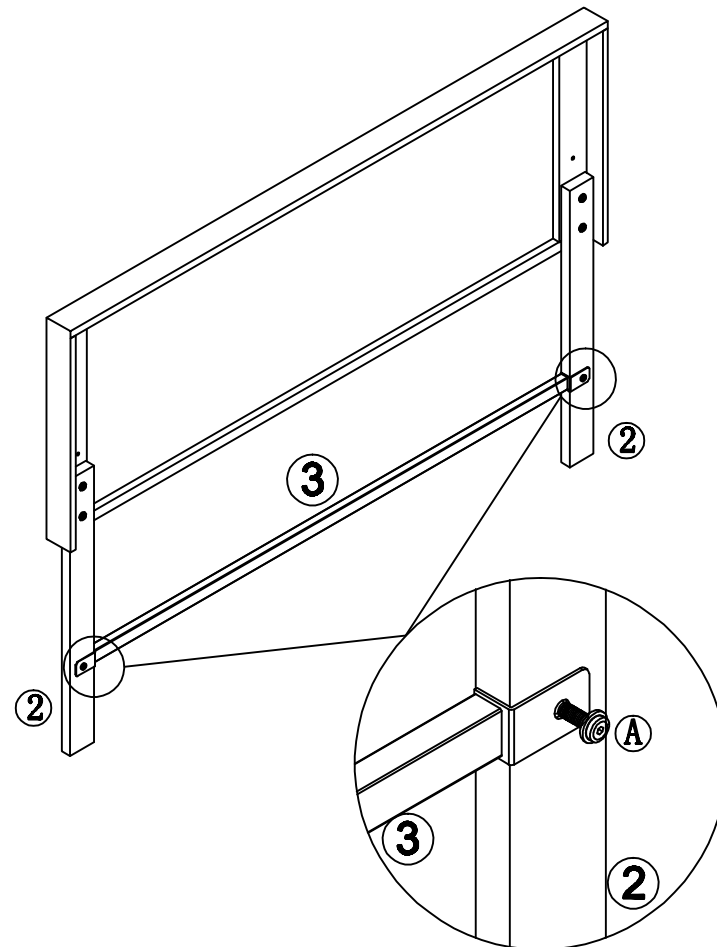
 <p>Ⓛ 1 PC</p>	 <p>Ⓜ 2 PCS</p>	 <p>Ⓨ 1 PC</p>	 <p>Ⓩ 1 PC</p>	 <p>Ⓟ 4 PCS</p>	 <p>Ⓡ 2 PCS</p>
 <p>Ⓢ 1 PC</p>	 <p>Ⓣ 4 PCS</p>	 <p>Ⓤ 6 PCS</p>	 <p>Ⓥ 2 PCS</p>	 <p>Ⓦ 2 PCS</p>	 <p>Ⓧ 2 PCS</p>
					<p>Page 3/8</p>

Assembly Instruction



C		M8x45	4pcs
D		5 #	1pc

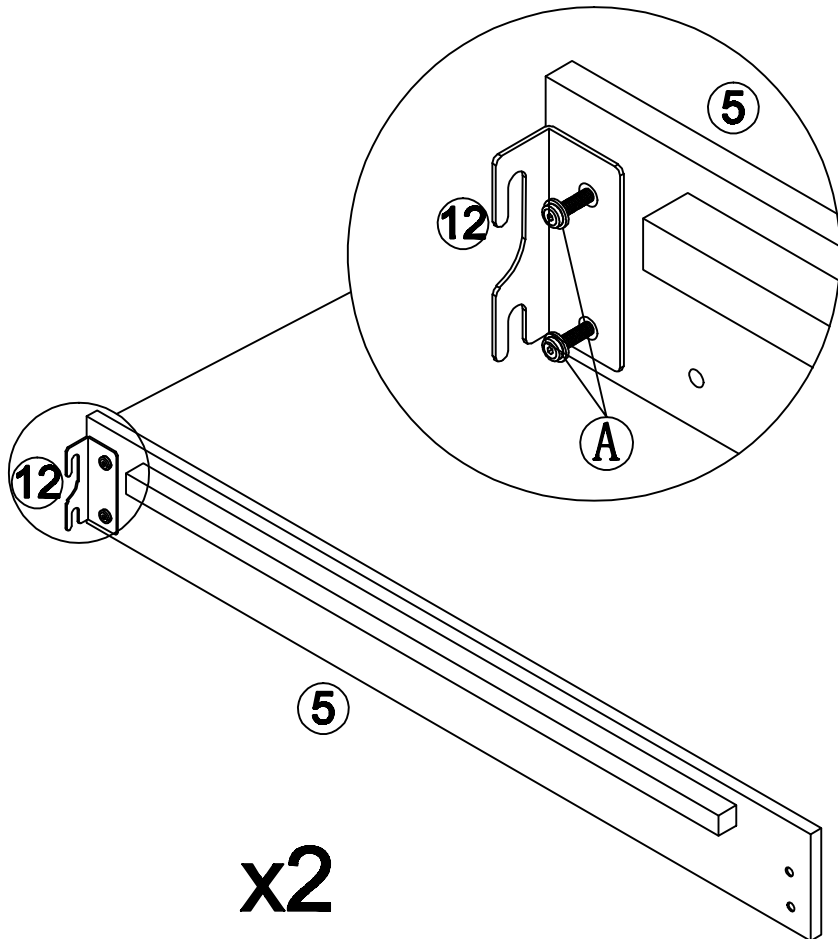




A		M8x15	2pcs
D		5 #	1pc

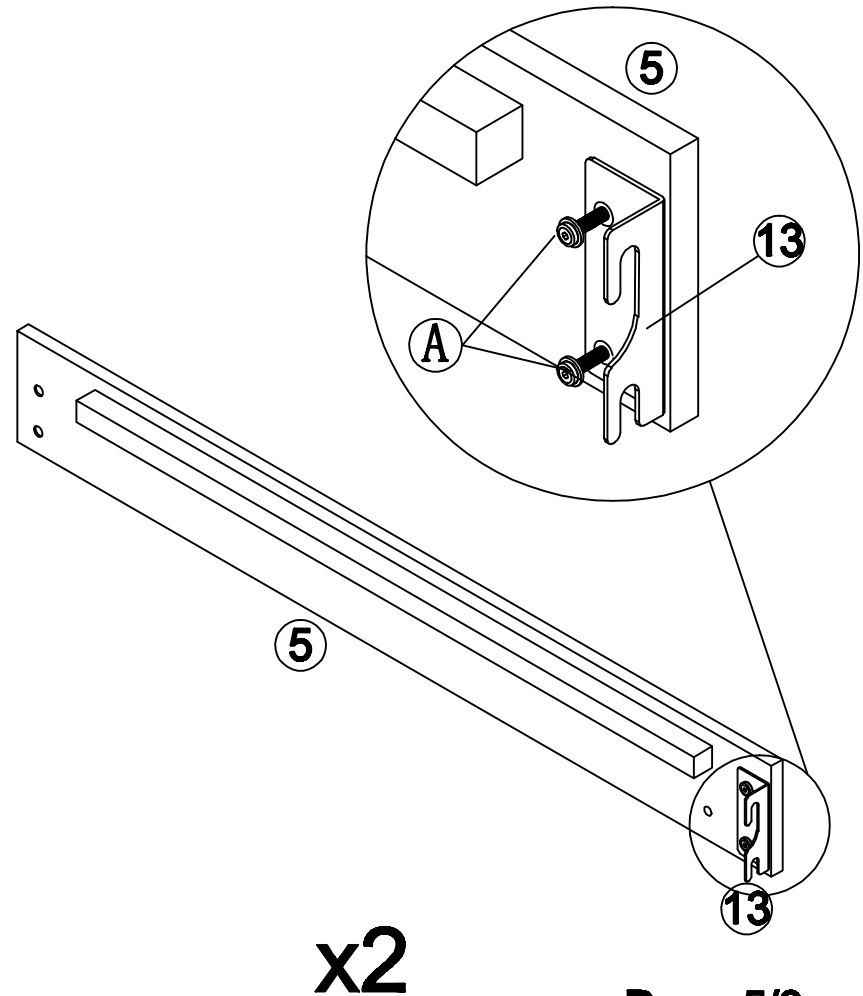


Assembly Instruction



A	 M8x15	4pcs
D	 5#	1pc





A	 M8x15	4pcs
D	 5#	1pc

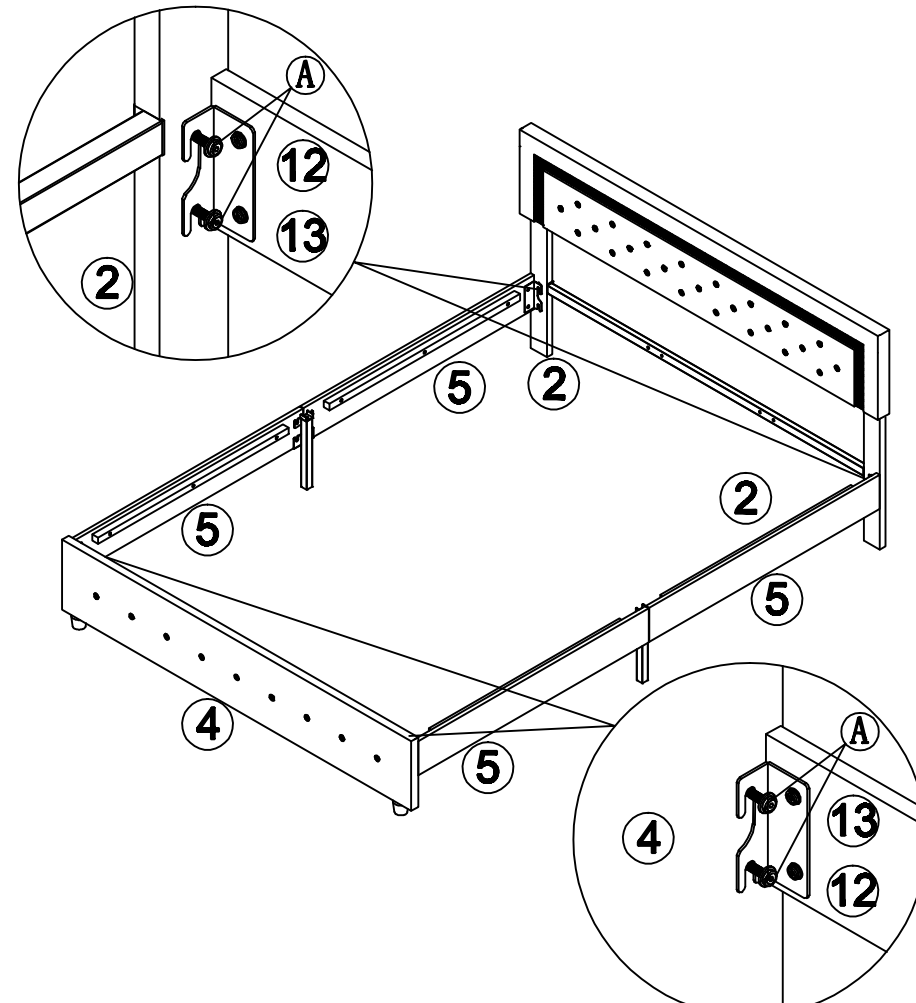
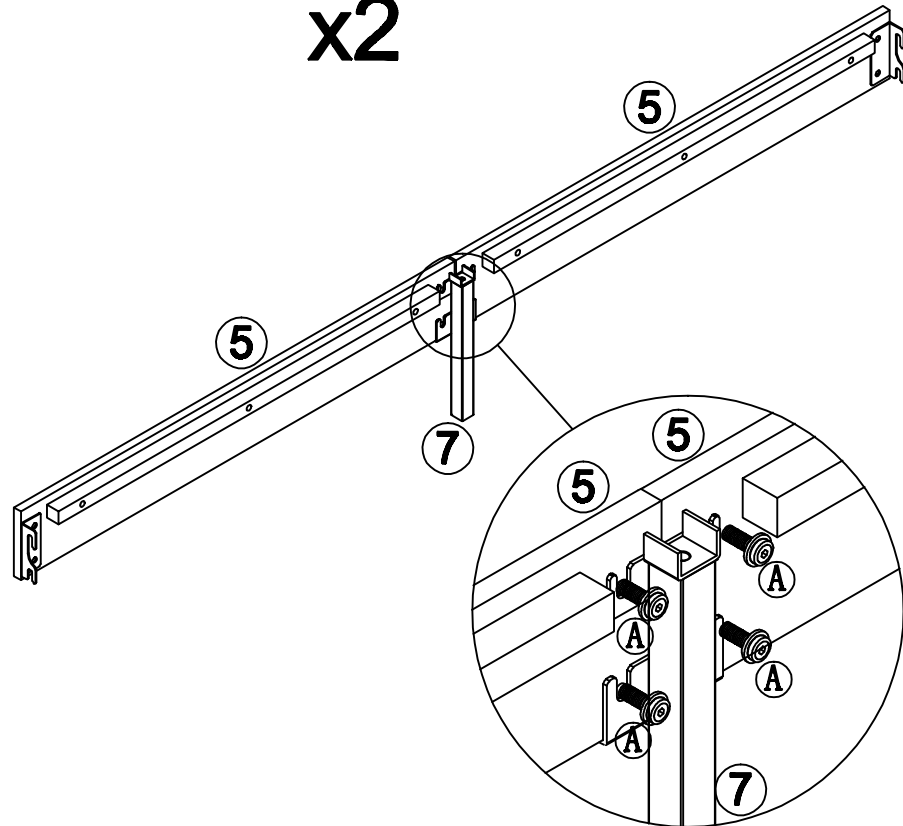


Assembly Instruction




A		M8x15	8pcs
D		5#	1pc

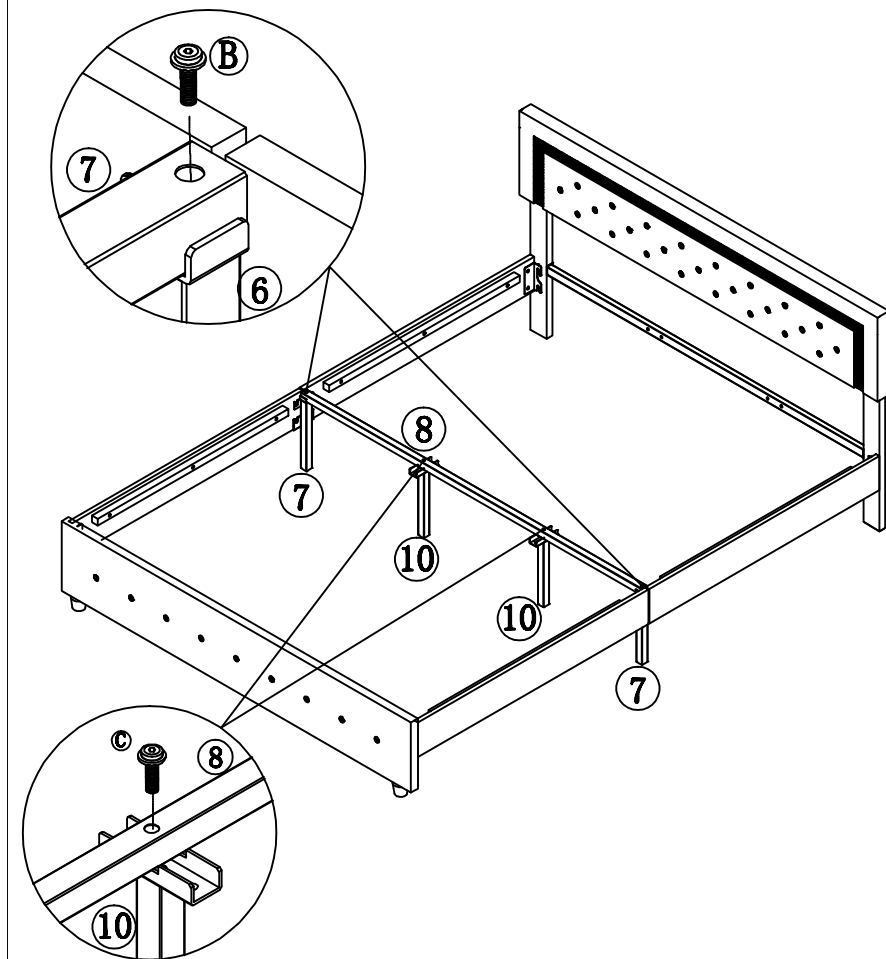
A		M8x15	8pcs
D		5#	1pc




x2

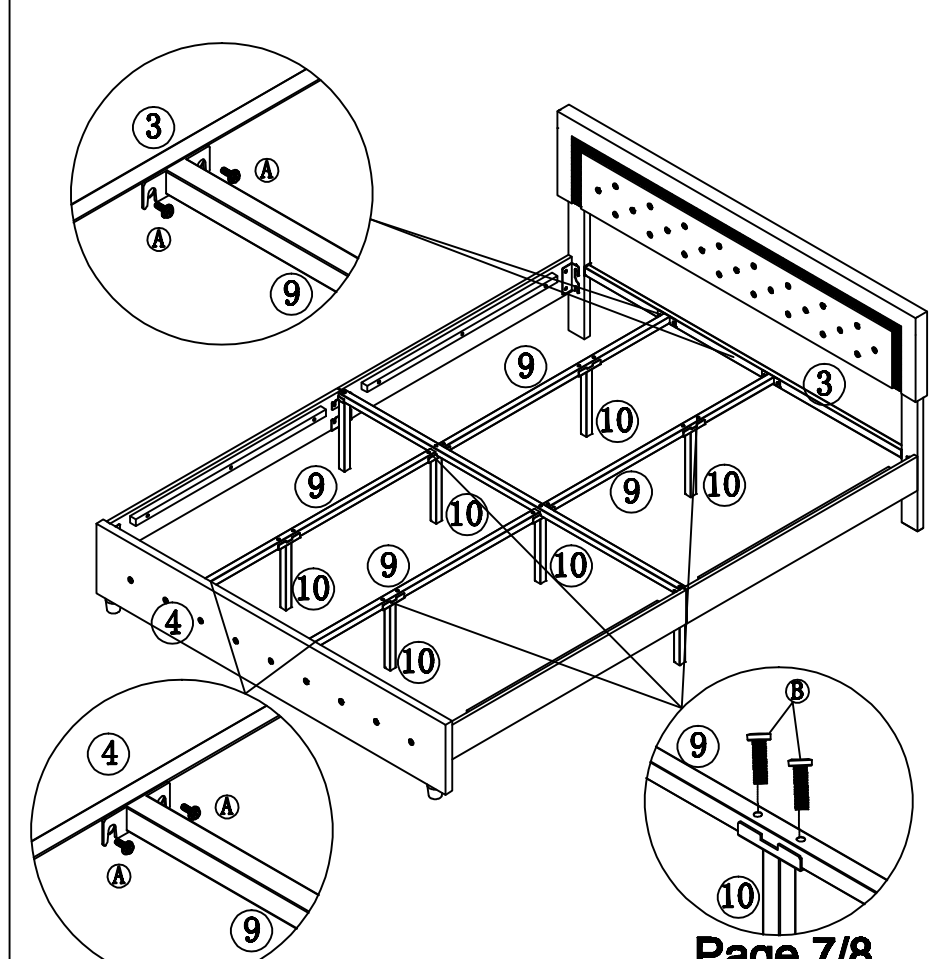


Assembly Instruction

B		M8x35	2pcs
C		M8x45	2pcs
D		5 #	1pc



A		M8x15	8pcs
B		M8x35	12pcs
D		5 #	1pc



Assembly Instruction

