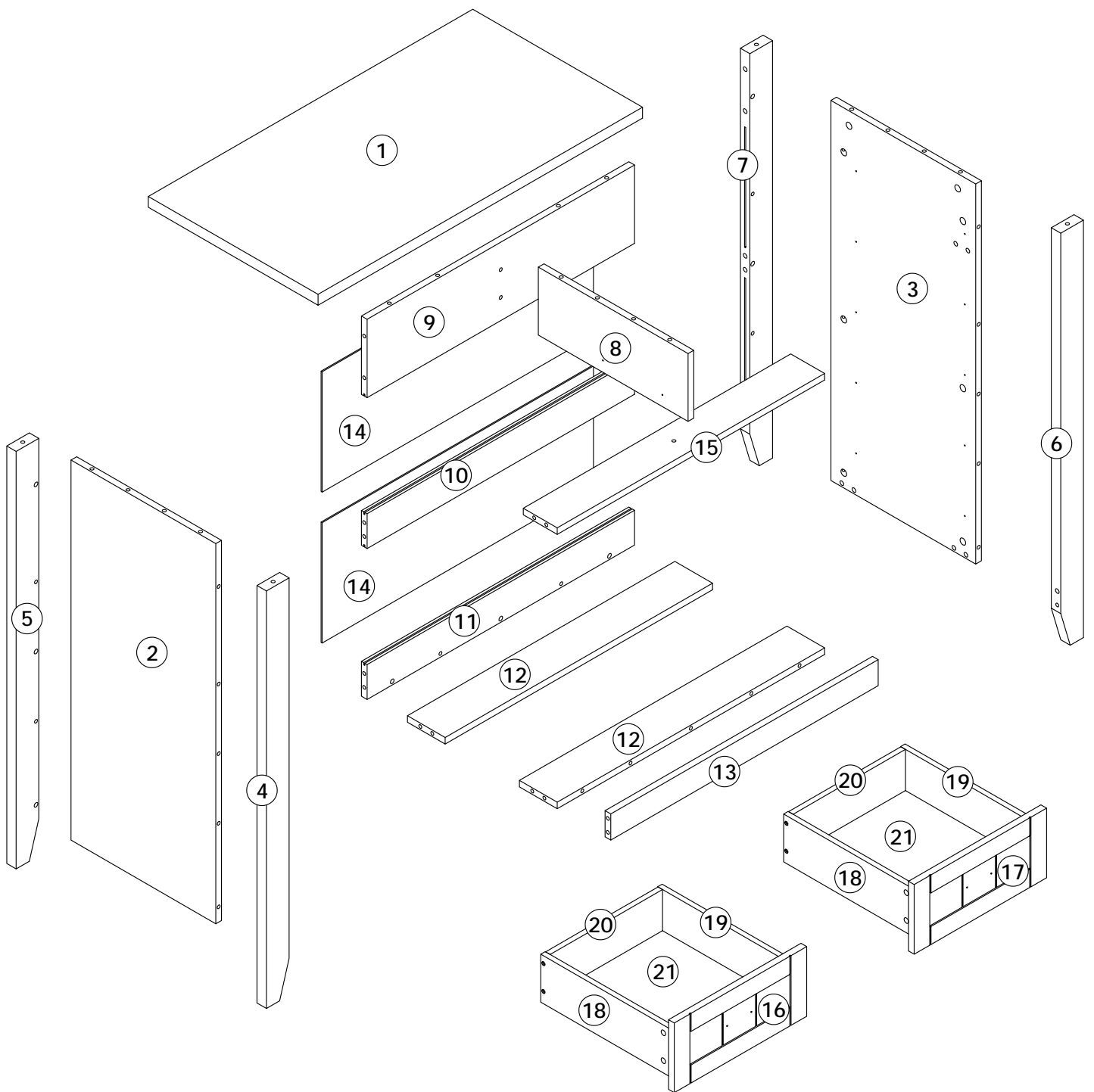
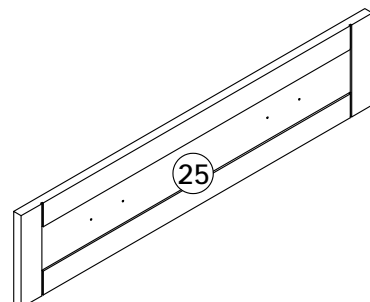
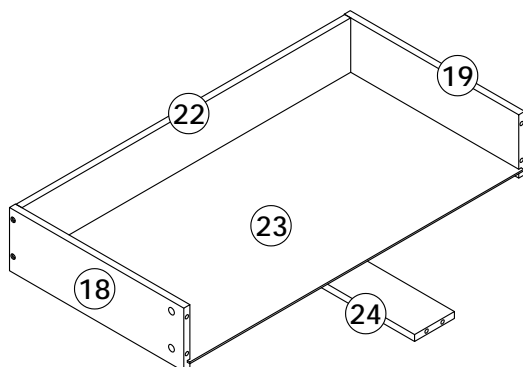


# Parts List

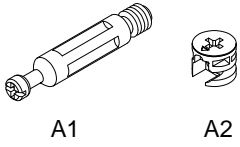


x 4

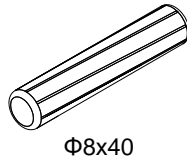


# Hardware

A x 52sets



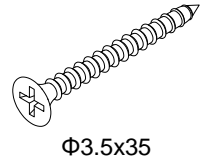
B x 26pcs



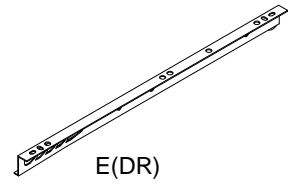
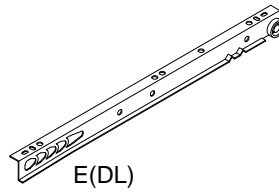
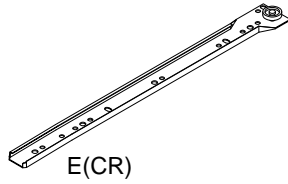
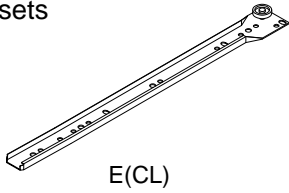
C x 60pcs



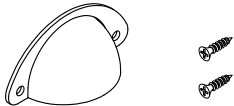
D x 32pcs



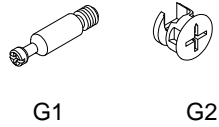
E x 6sets



F x 10pcs



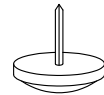
G x 32sets



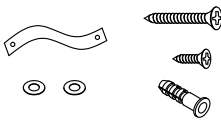
H x 12pcs



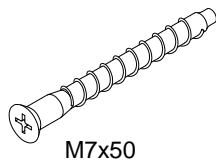
J x 4pcs



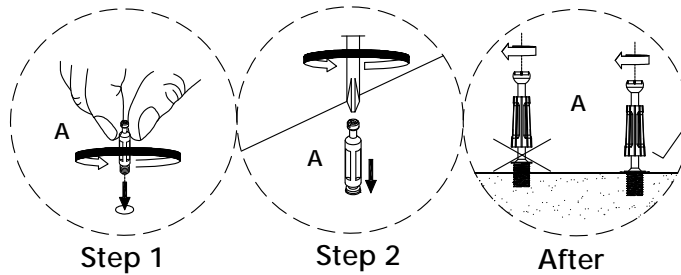
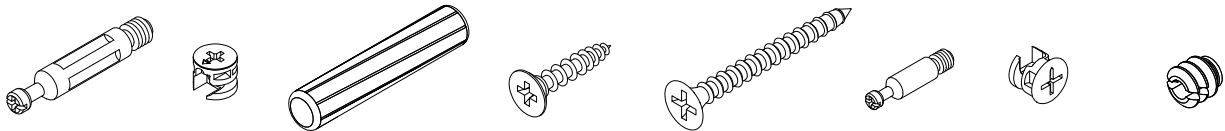
K x 2sets



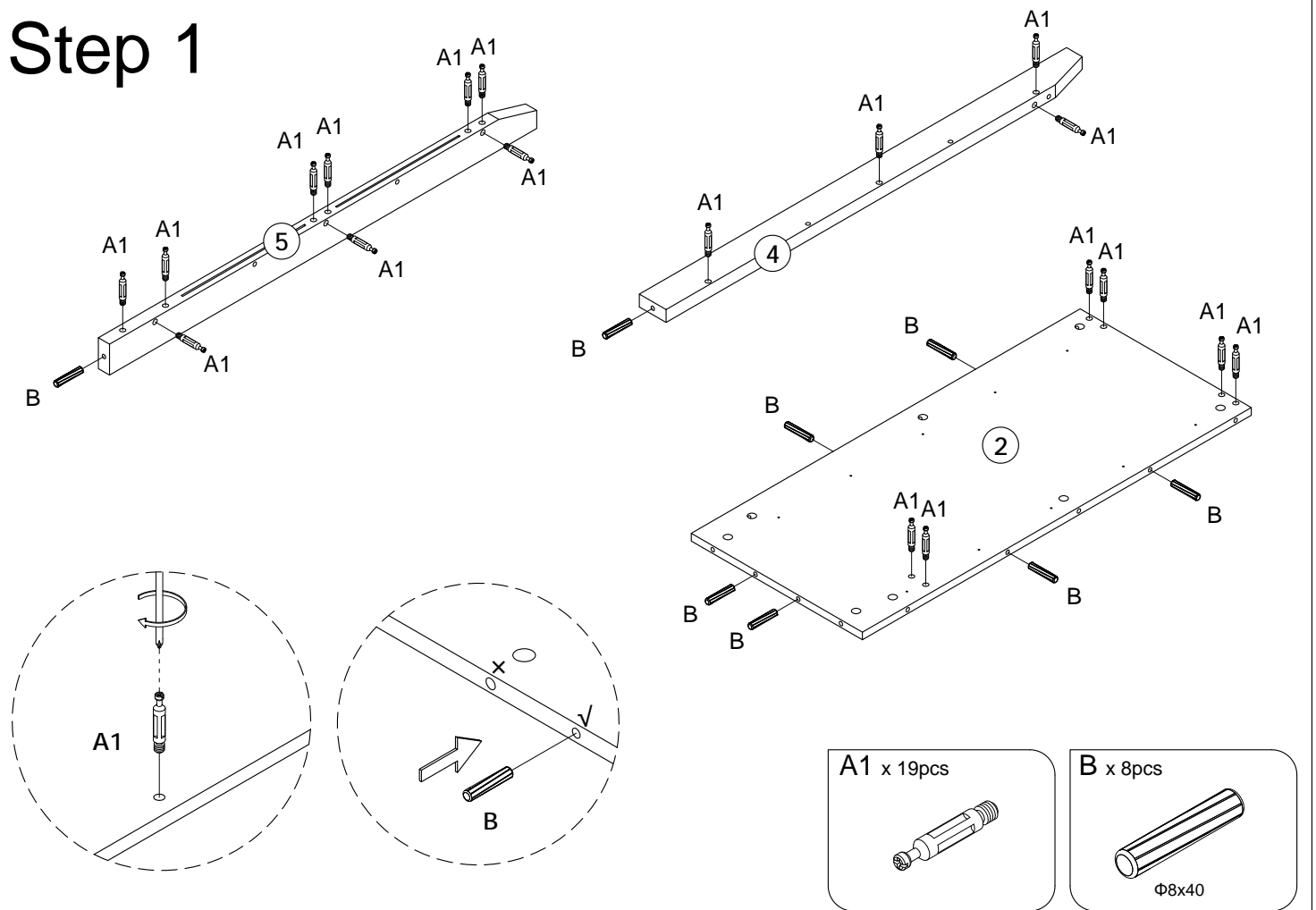
L x 3pcs



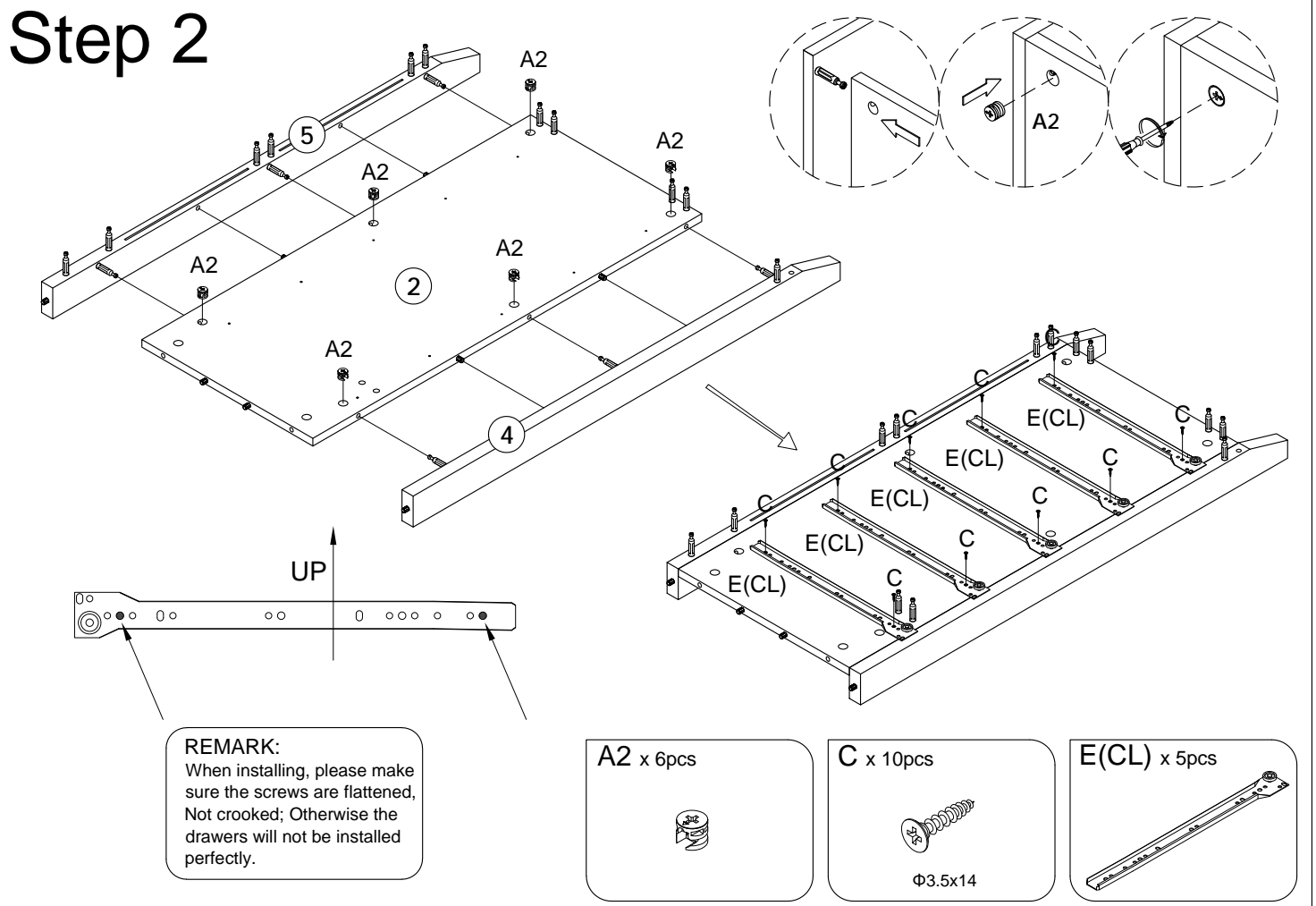
R



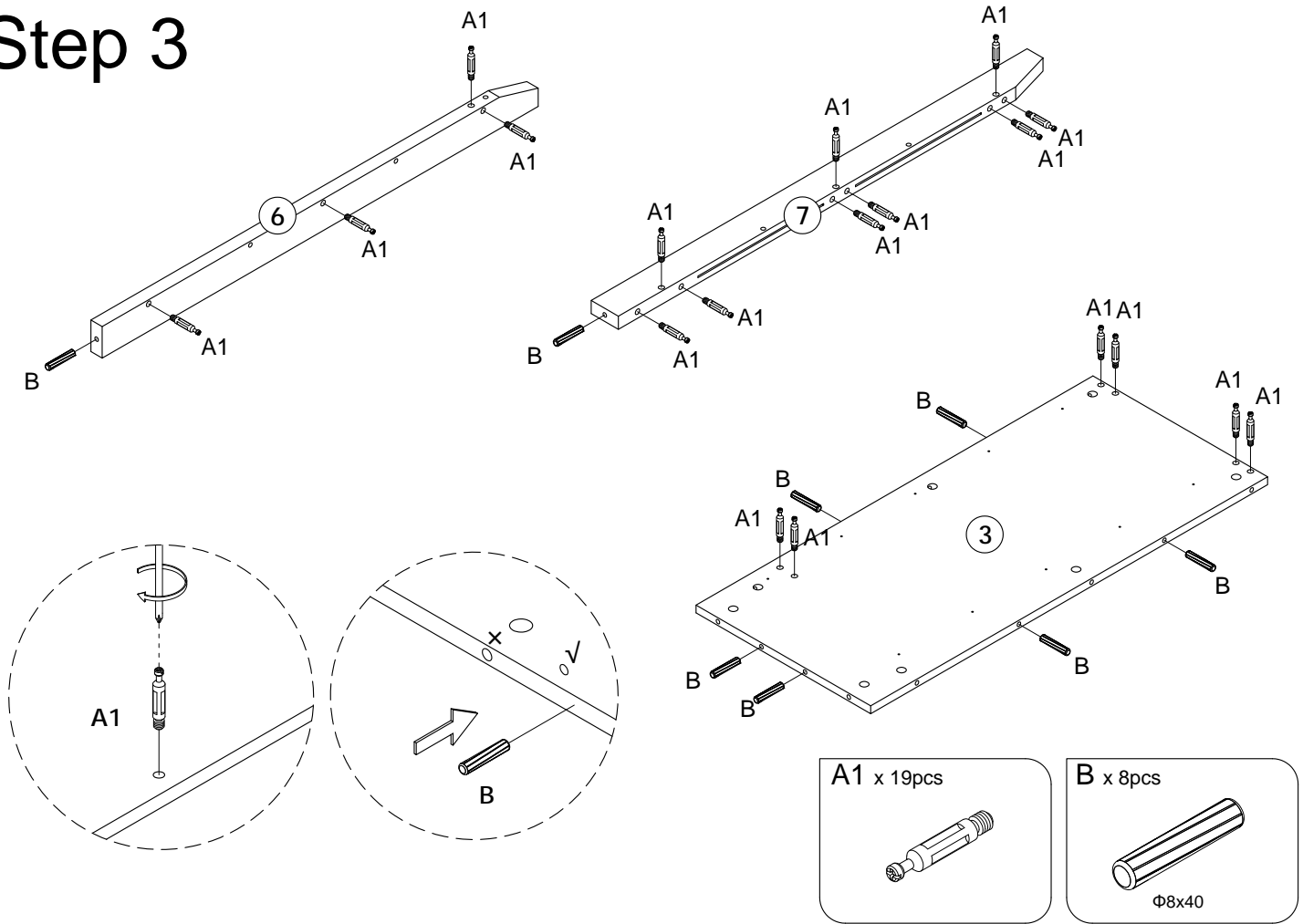
# Step 1



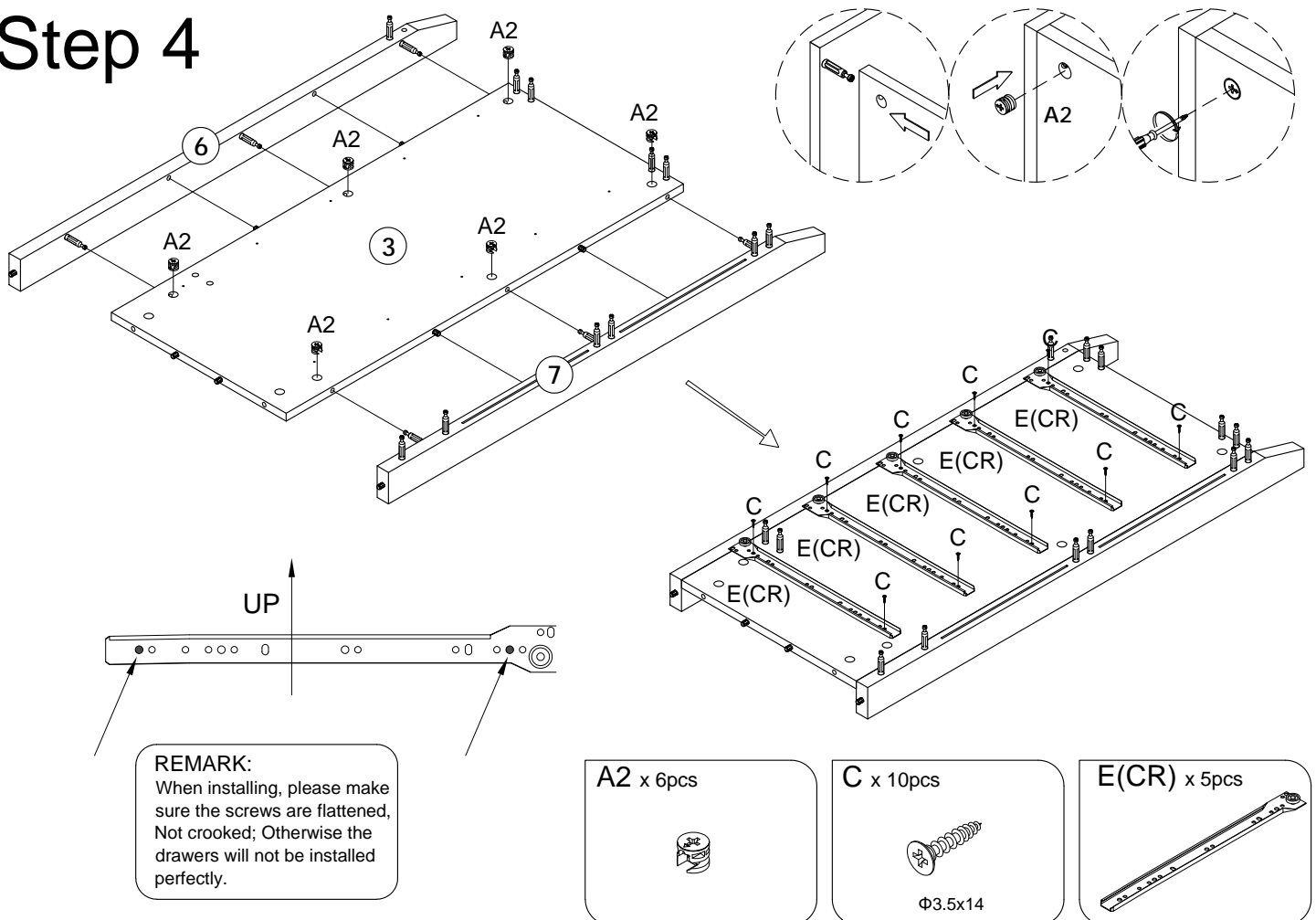
# Step 2



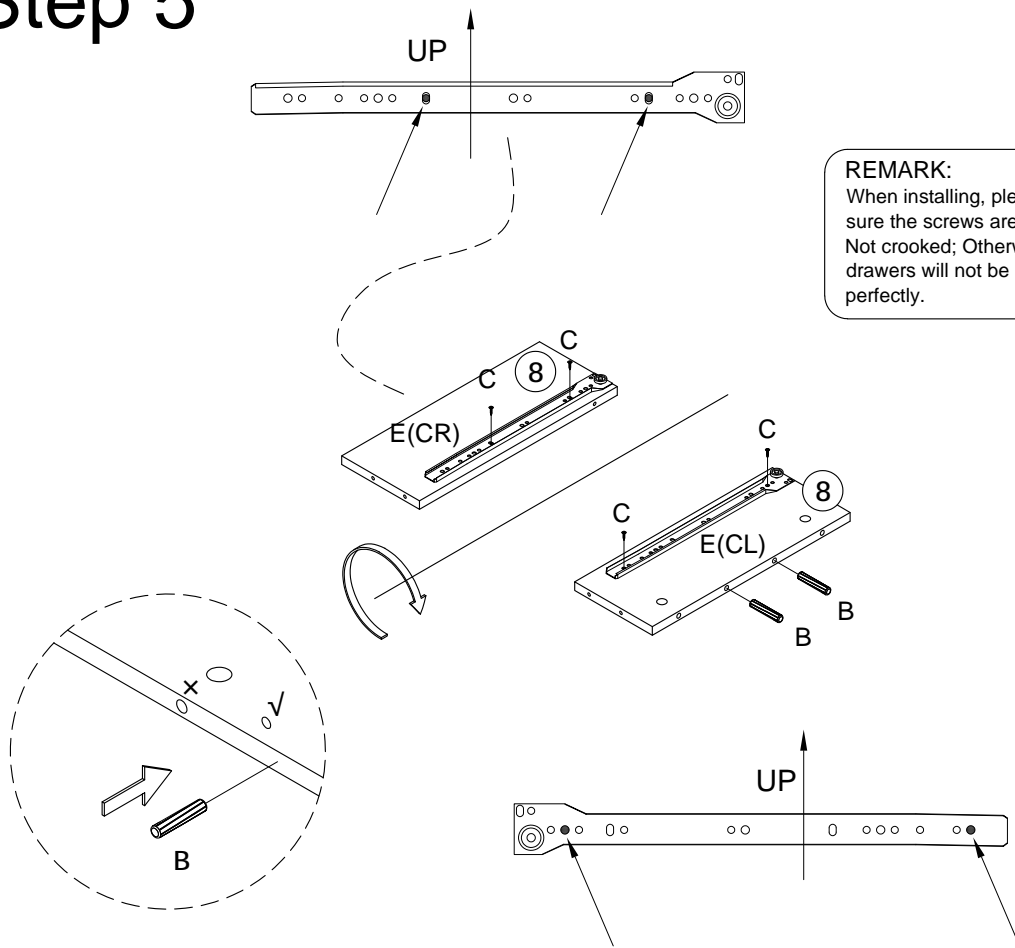
# Step 3



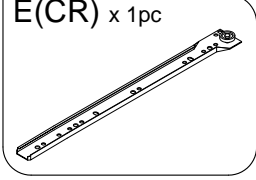
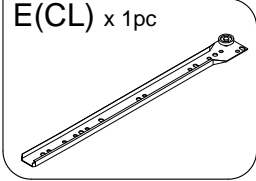
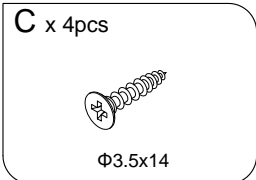
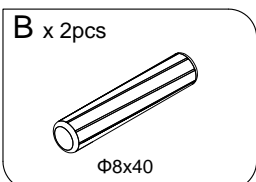
# Step 4



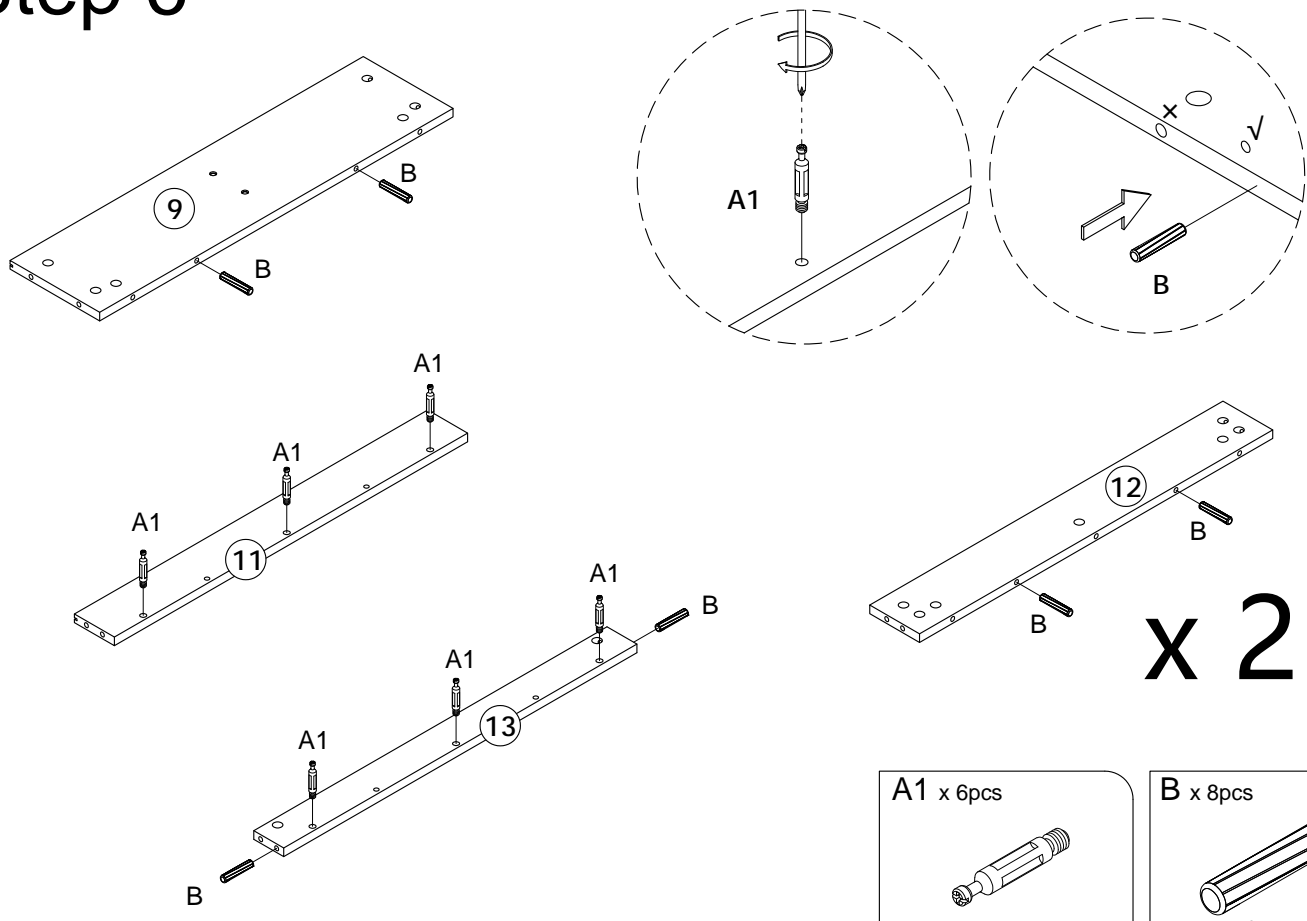
# Step 5



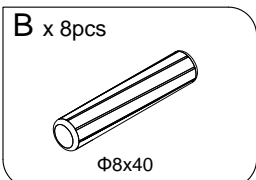
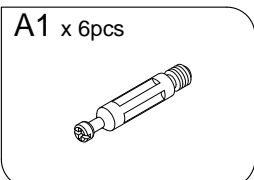
**REMARK:**  
When installing, please make sure the screws are flattened, Not crooked; Otherwise the drawers will not be installed perfectly.



# Step 6

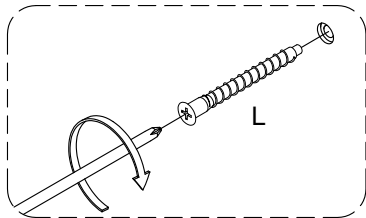
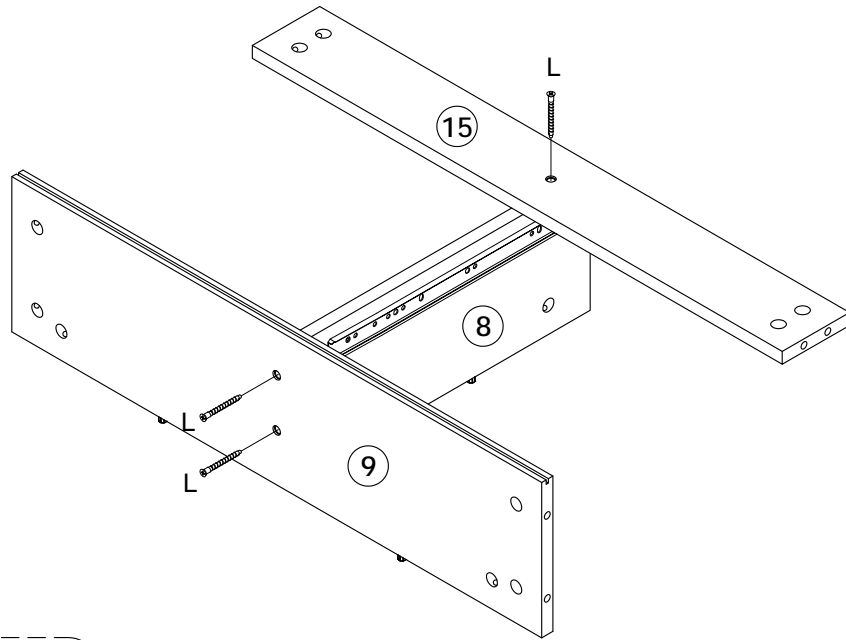


**REMARK:**  
When installing, please make sure the screws are flattened, Not crooked; Otherwise the drawers will not be installed perfectly.

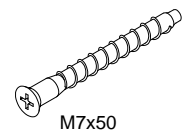


**x 2**

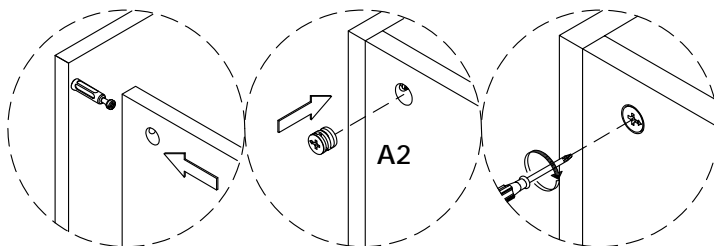
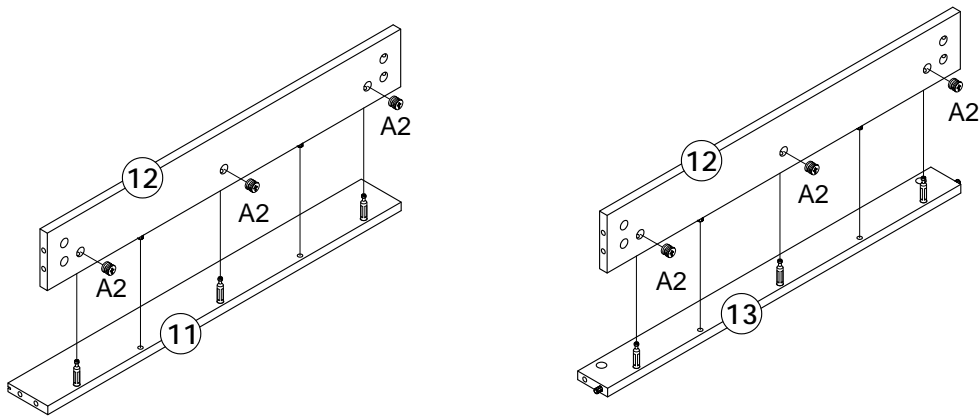
# Step 7



L x 3pcs



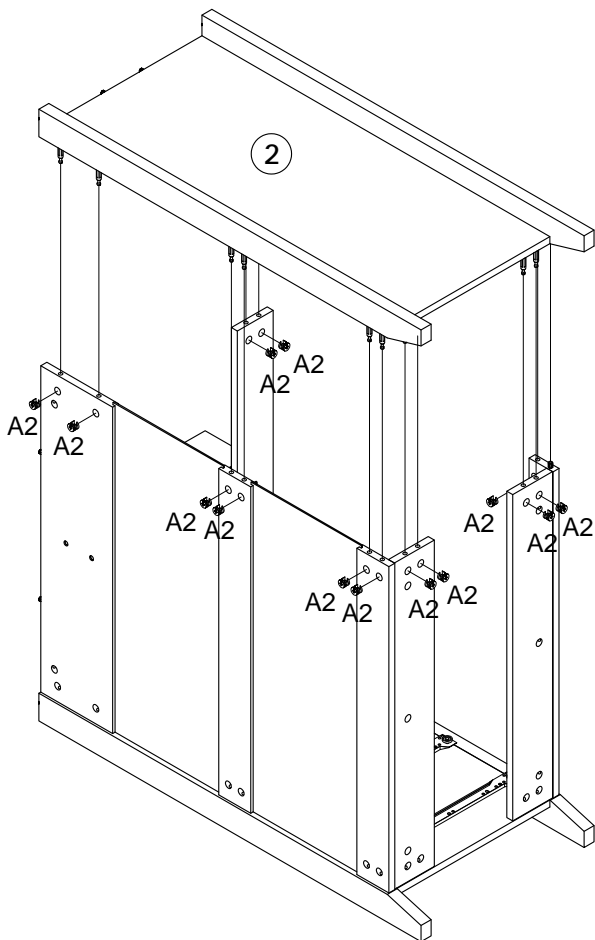
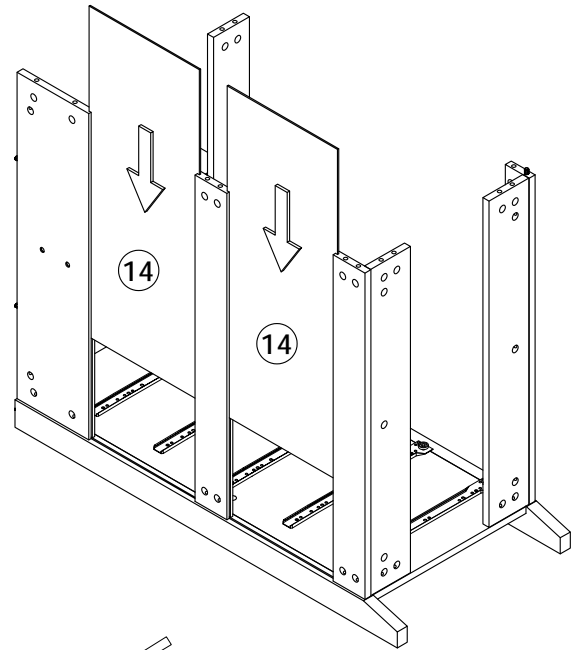
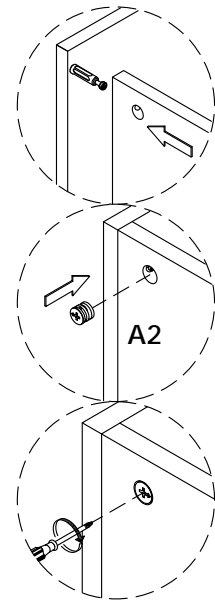
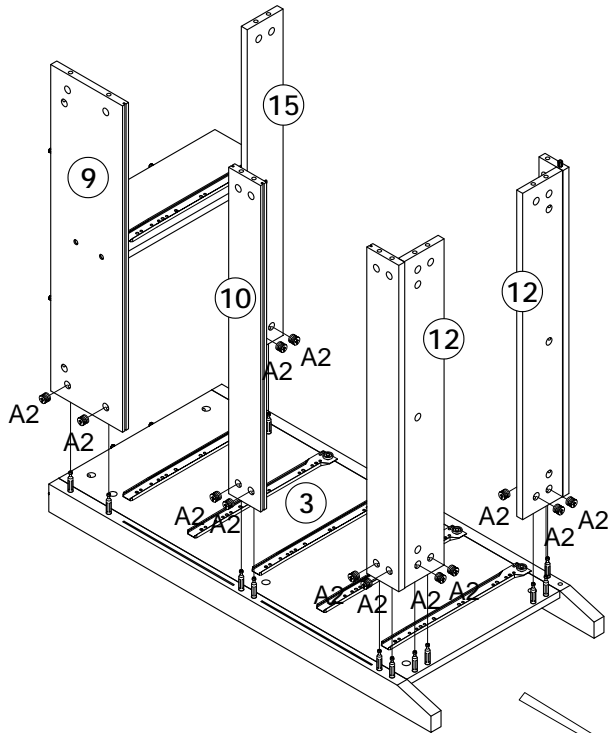
# Step 8



A2 x 6pcs



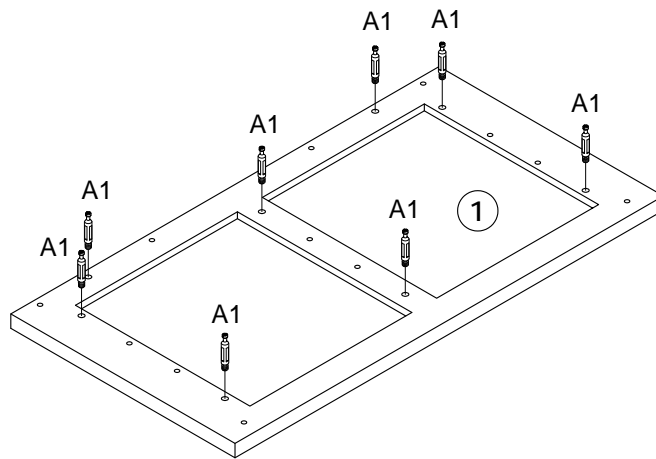
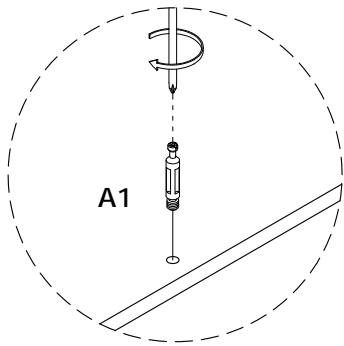
# Step 9



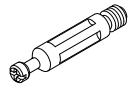
A2 x 26pcs



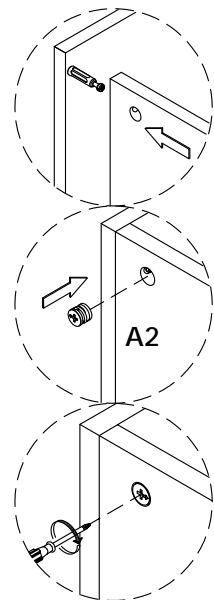
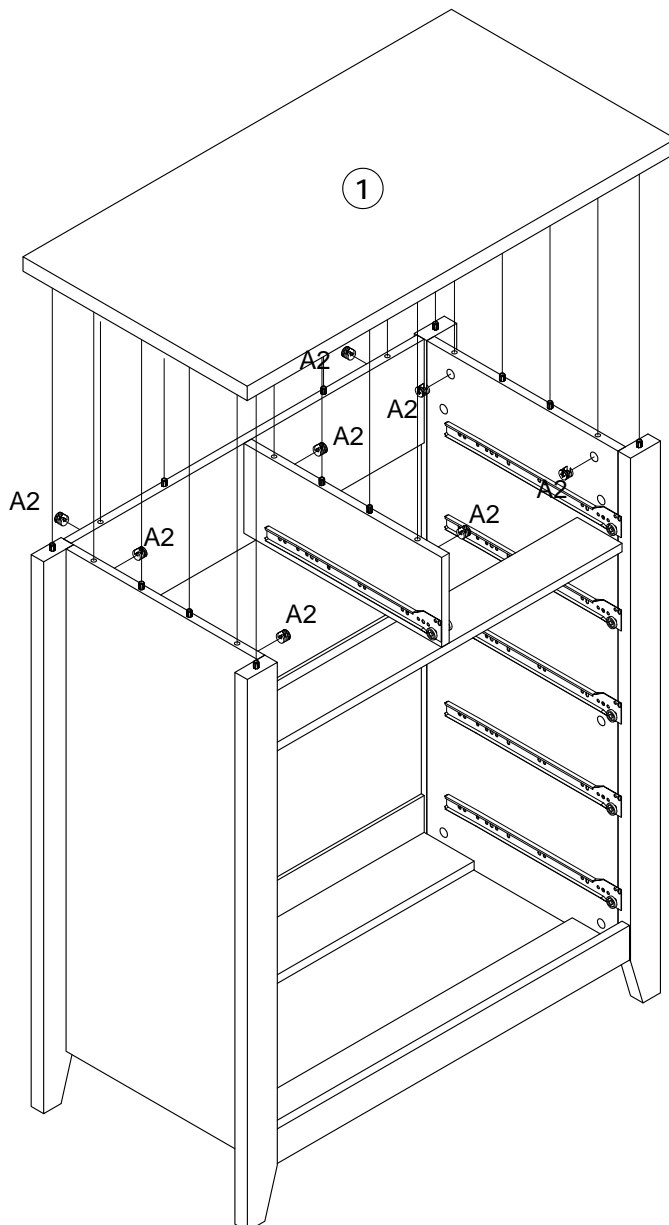
# Step 10



A1 x 8pcs



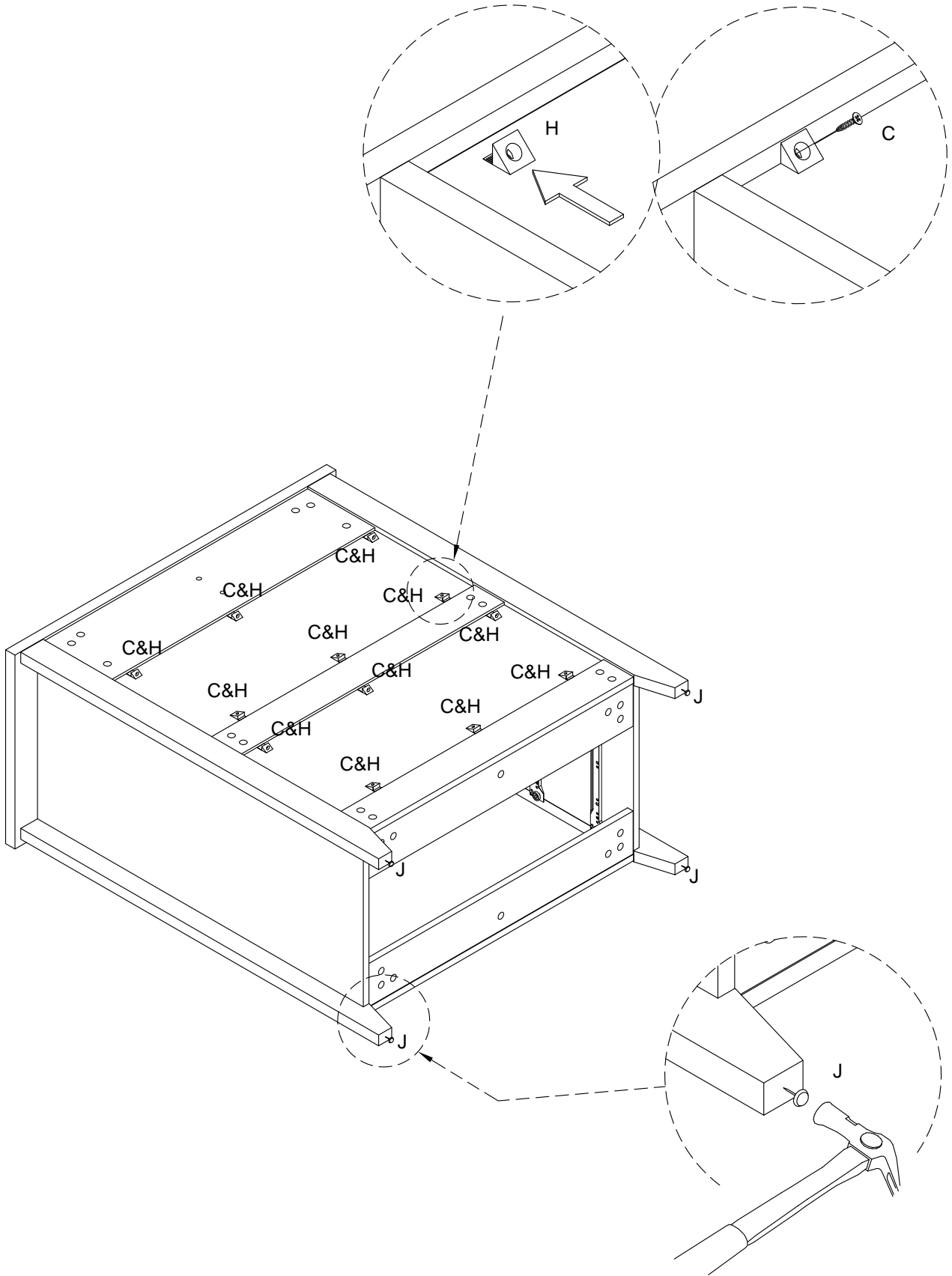
# Step 11




A2 x 8pcs



# Step 12

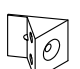


**C** x 12pcs

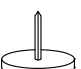


Φ3.5x14

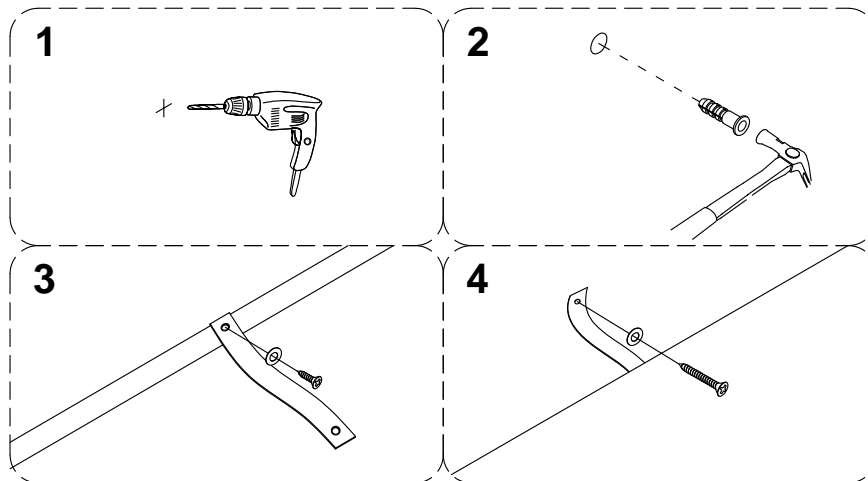
**H** x 12pcs



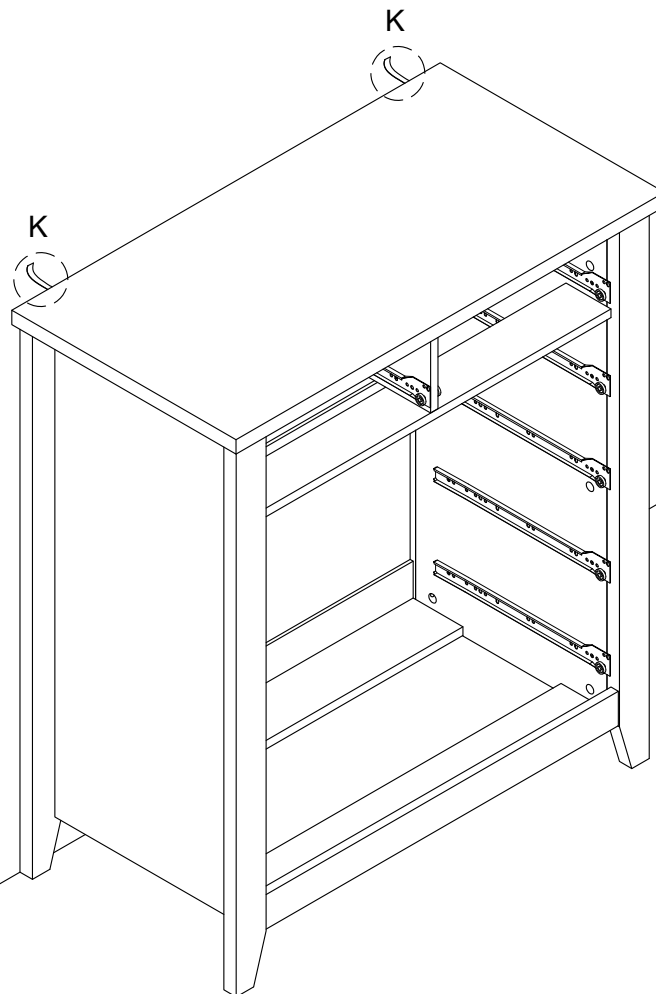
**J** x 4pcs



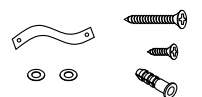
# Step 13



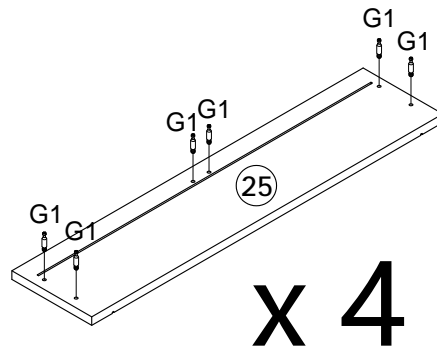
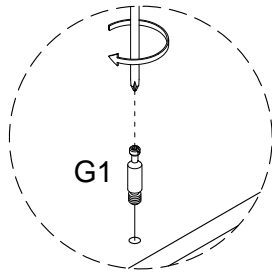
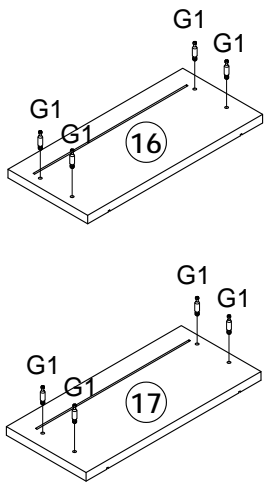
WALL



K x 2sets



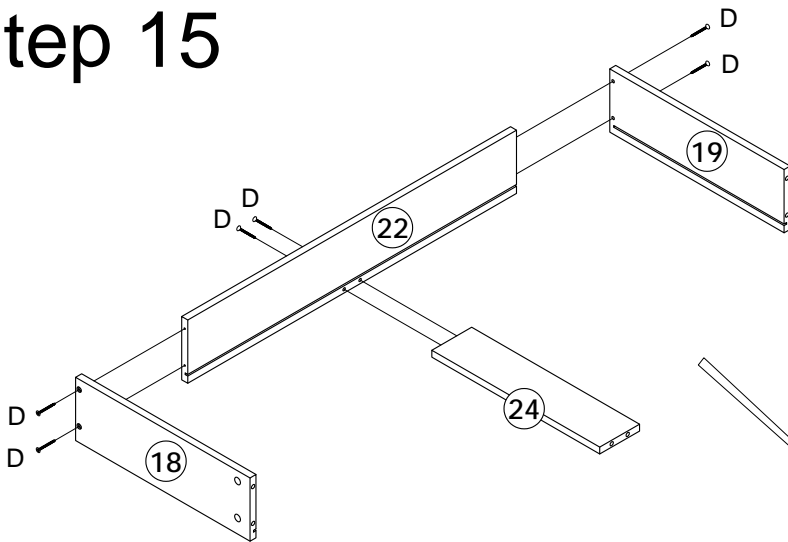
# Step 14



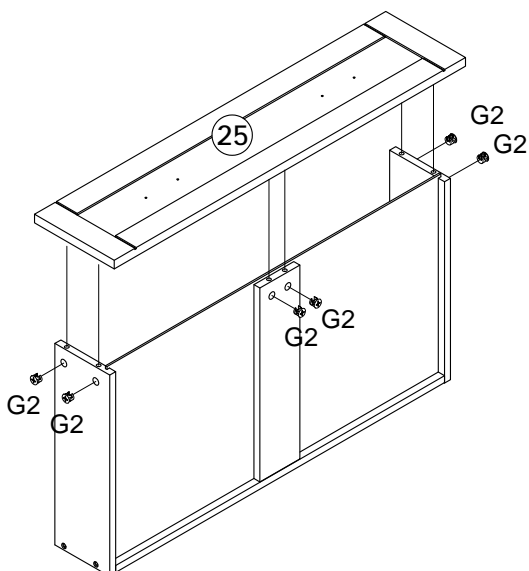
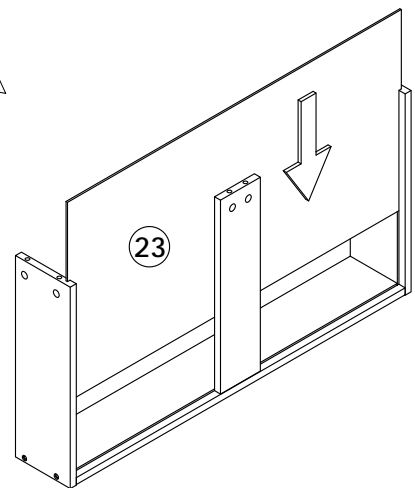
G1 x 32pcs



# Step 15



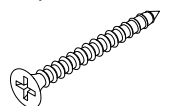
x 4



G2 x 24pcs



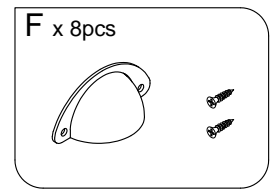
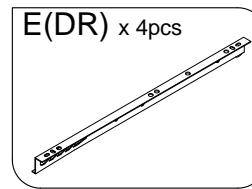
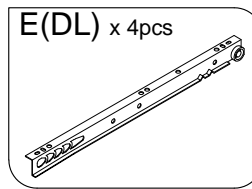
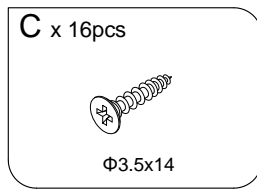
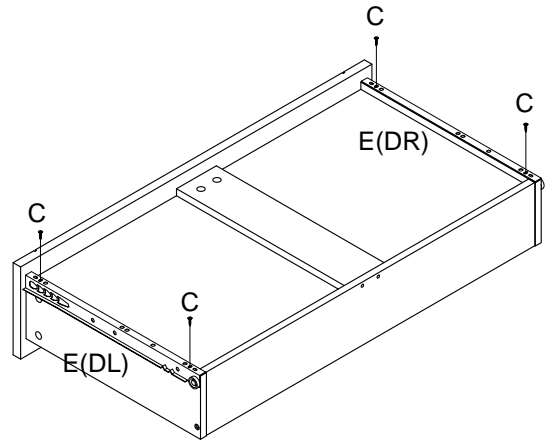
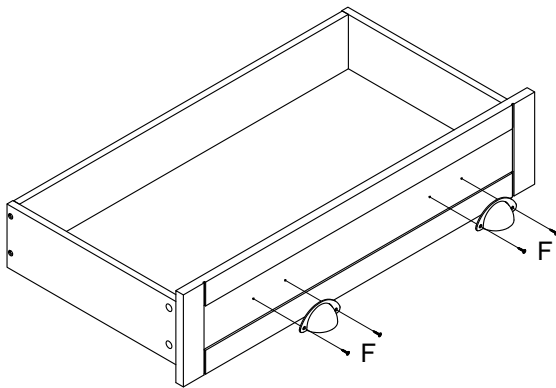
D x 24pcs



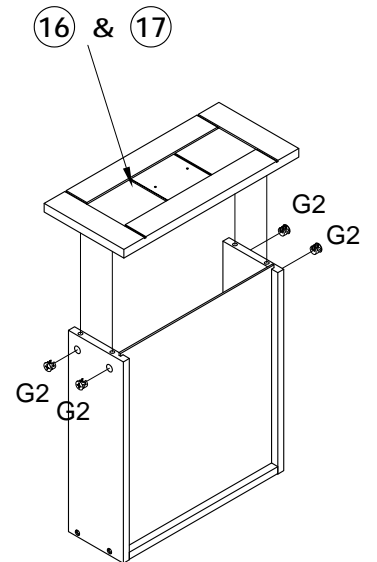
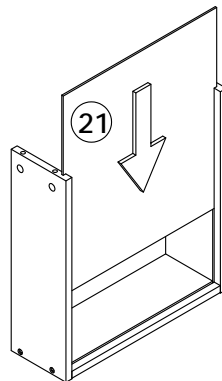
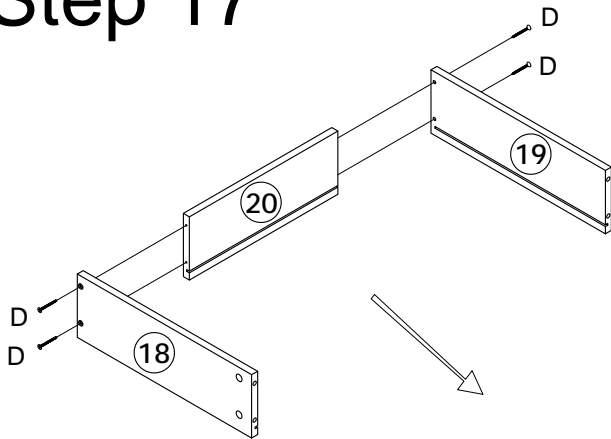
Φ3.5x35

# Step 16

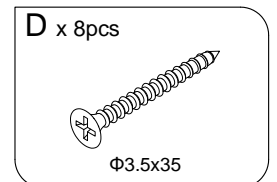
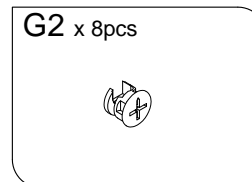
# x 4



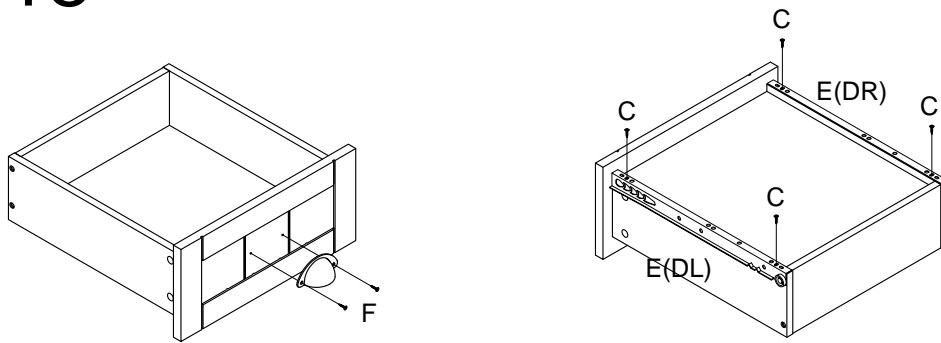
# Step 17



# x 2



# Step 18



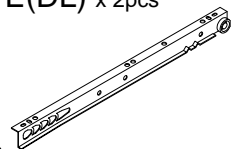
x 2

C x 8pcs

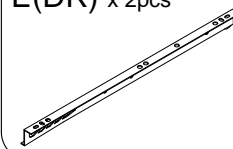


Φ3.5x14

E(DL) x 2pcs



E(DR) x 2pcs



F x 2pcs



# Step 19

