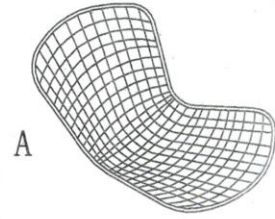
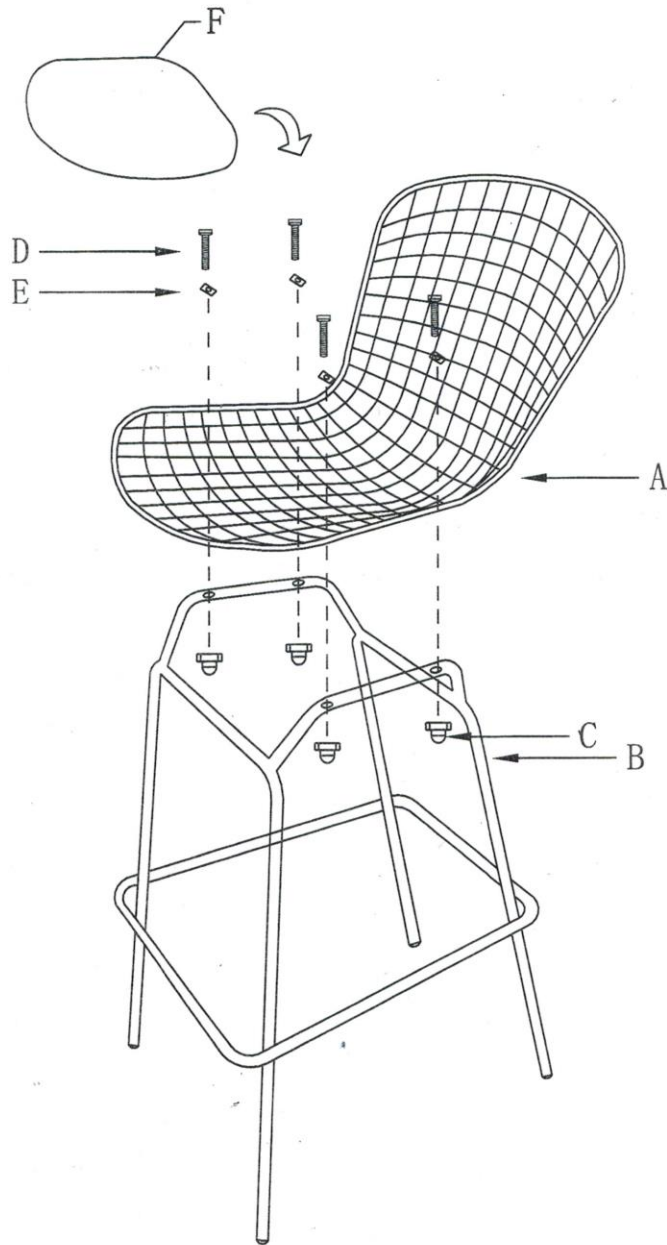
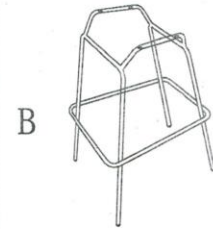


Assembly Instruction



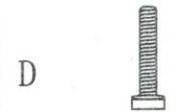
A
1PC



B
1PC



C
4PCS



D
4PCS



E
4PCS



F
1PC



G
1PC