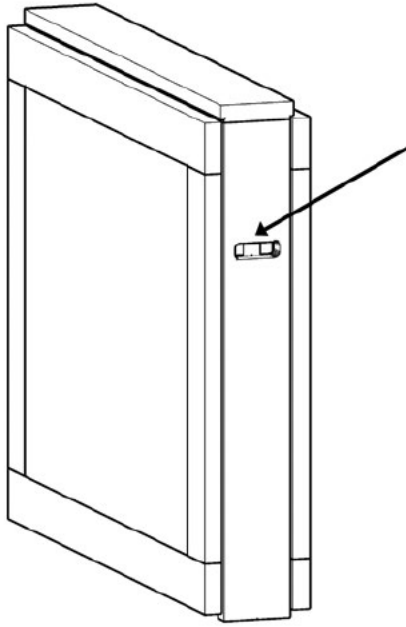


FOLDING INSTRUCTIONS

Note: **NO HARDWARE NEEDED**

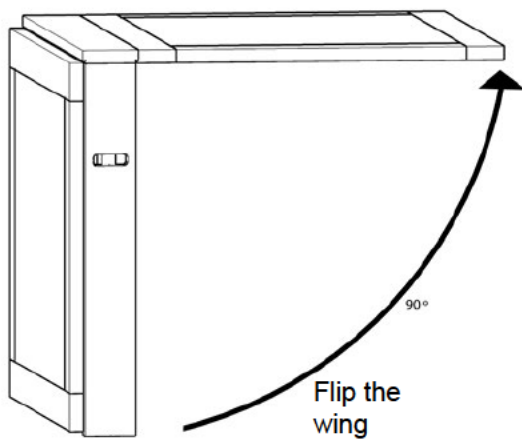
Step- 1



HANDLE

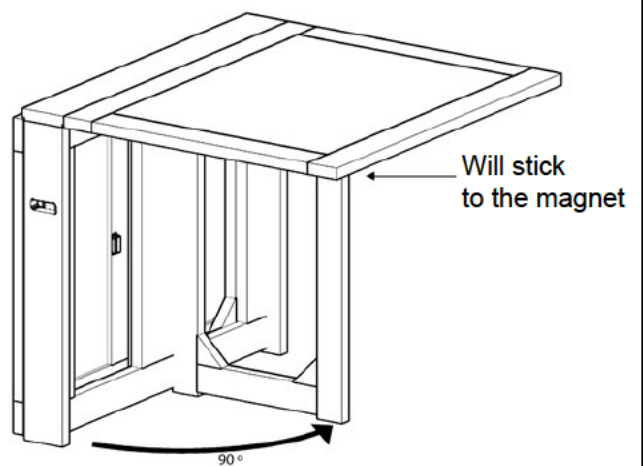
Place table so
that handles are
on the top

Step- 2



Flip the
wing

Step- 3

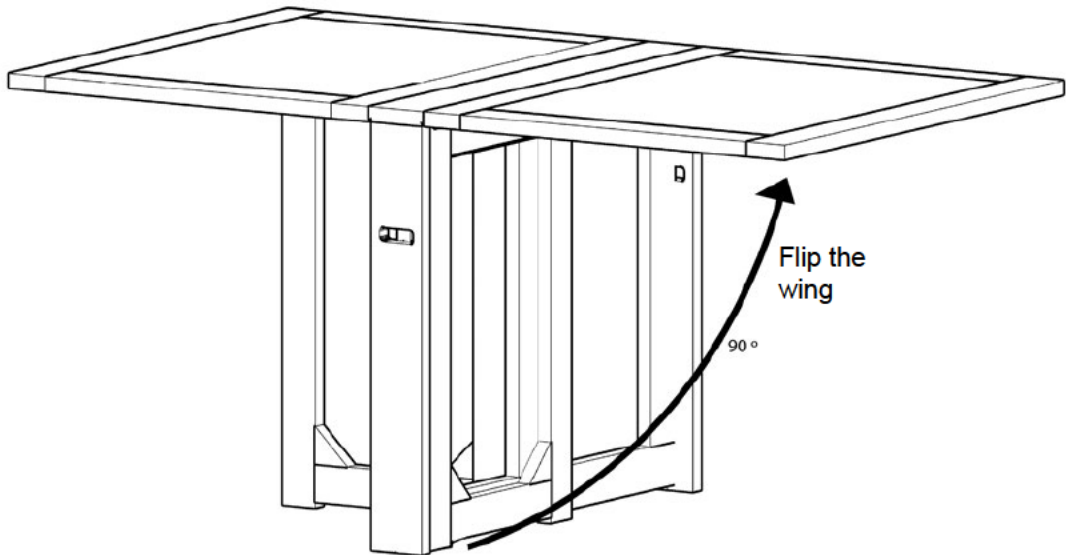


Shift
the leg

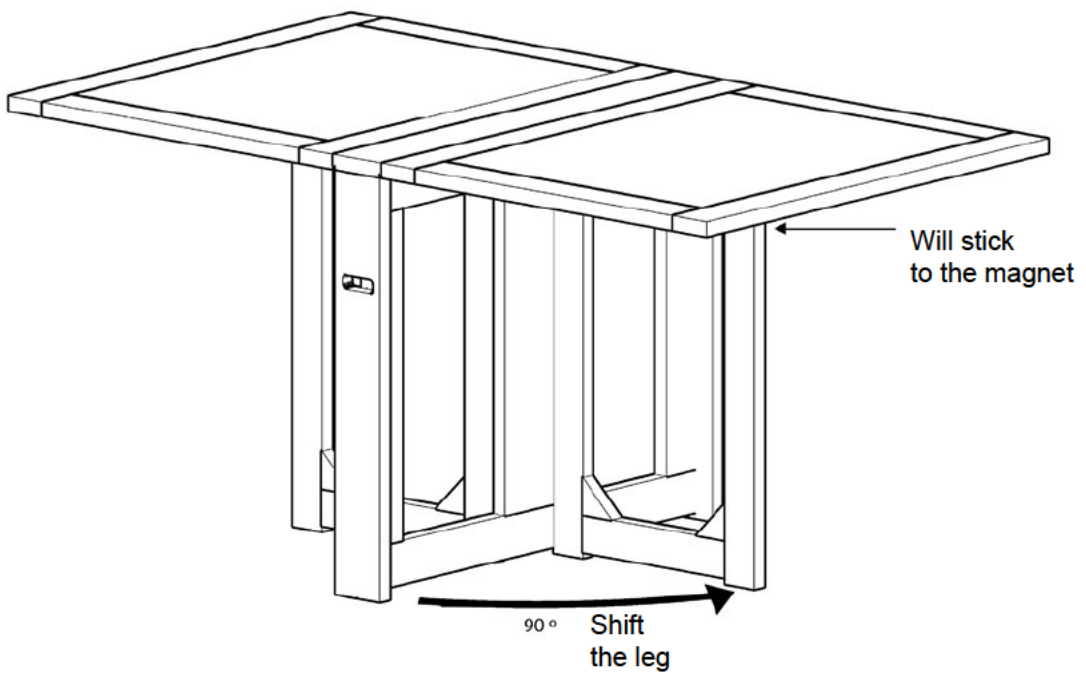
Will stick
to the magnet

FOLDING INSTRUCTIONS

Step- 4



Step- 5



Product is ready to use.