

## WGIBE/WGIBE4 WIRE GUARD INSTALLATION

1. Extend the wireguard so it passes the mounting tabs of the endplate and slide it onto the fixture. See Figure 1
2. Install the 4 clips on the wire guard at the 4 bend tab locations. See Figure 2
3. Align the clips with holes located on the top side of the led channel. See Figure 3
4. Install and torque screws until flushed to clips. See Figure 3-Detail B
5. Repeat steps 1-4 for WGIBE4 option but there will be 6 screws and clips.

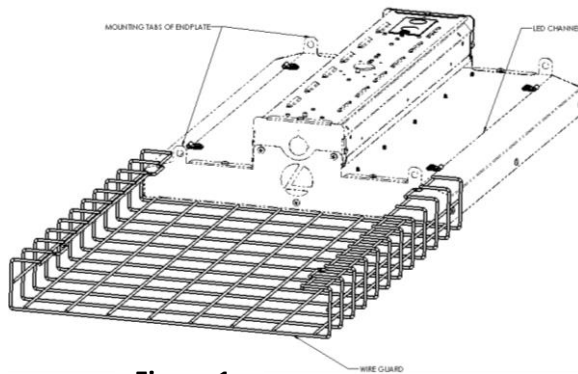


Figure 1

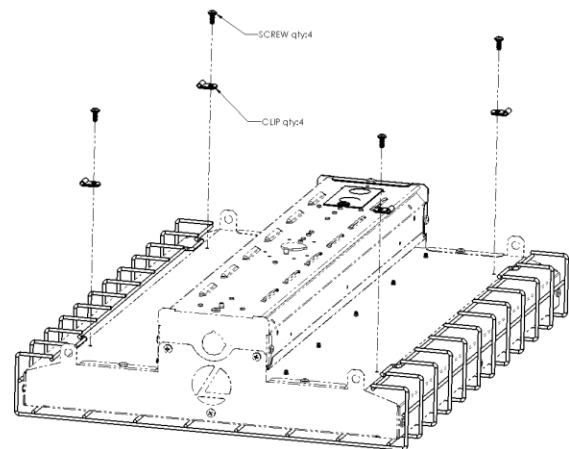


Figure 2

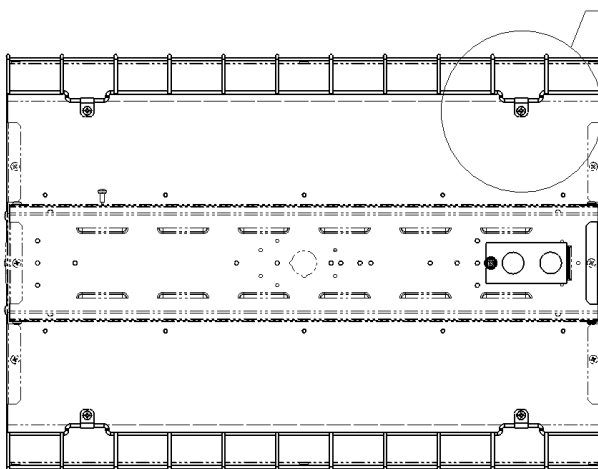
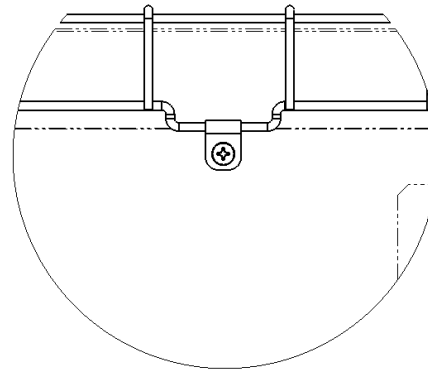


Figure 3



DETAIL B  
SCALE 1:1