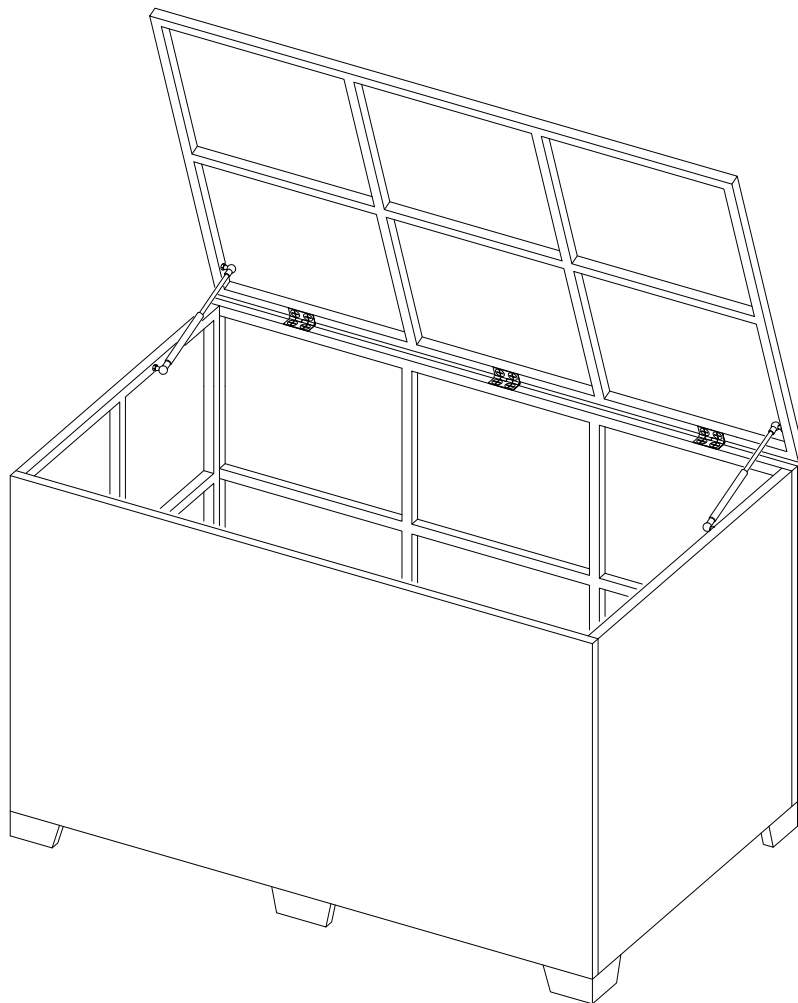
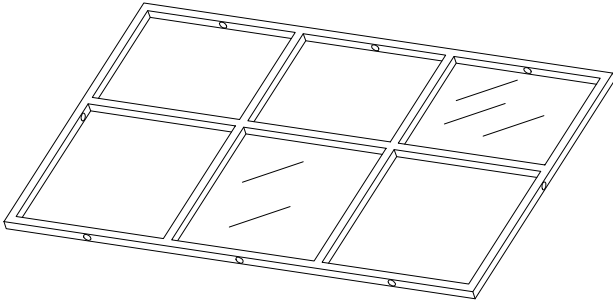


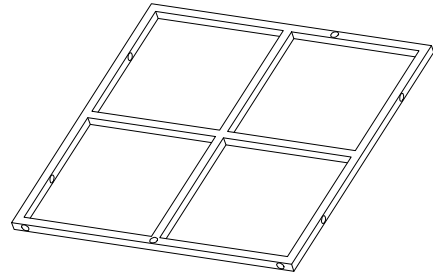
Storage Box



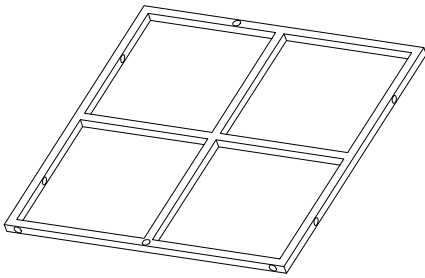
- a. Opening, please check the parts. Any defect or missing, contact us in time.
- b. Advisable to assemble on the mat to avoid wear and tear. Avoid all sharp objects touching the product surface. Do not allow the children to play around.
- c. Do not tighten all screws entirely until assemble is completed. Power tools are available, don't over-tighten for strip threads. Any problems assembling, contact us in time!
- d. **The screws fixed storage box bottom located outside, Step 1 and Step 2-1 involved.**



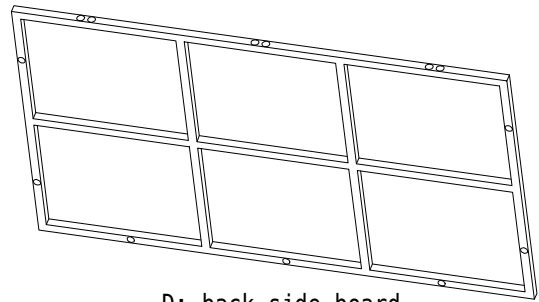
A: storage box bottom(outside)
1 pc



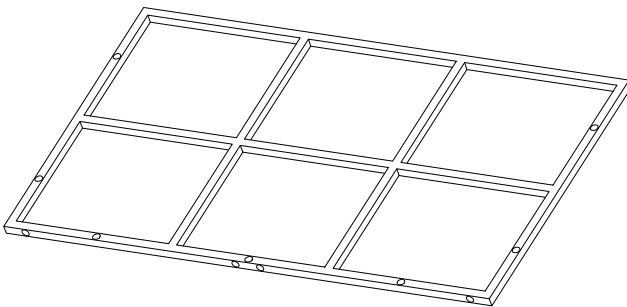
B: right side board
1 pc



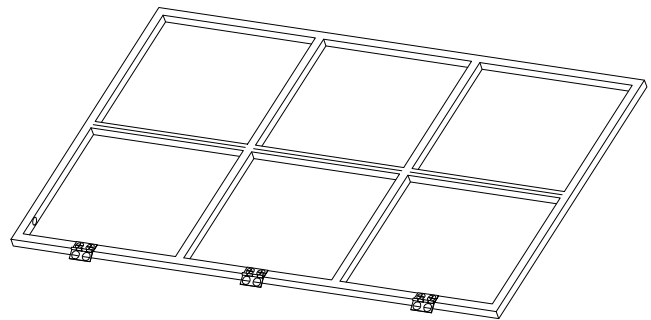
C: left side board
1 pc



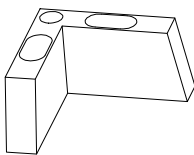
D: back side board
1 pc



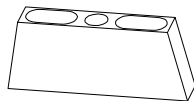
E: front side board
1 pc



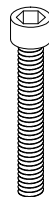
F: storage box cover
1 pc



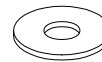
P: sofa foot
4 pcs



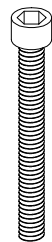
Q: sofa foot
2 pcs



R: screw M6*35mm
16 pcs



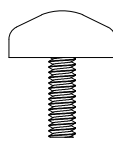
S: shim $\varnothing 16 \times 6.4 \times 1$
16 pcs



X: screw M6*45mm
12 pcs



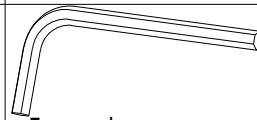
Y: shim $\varnothing 11 \times 6.2 \times 1$
12 pcs



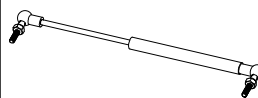
Z: adjustable screw
6 pcs



screw M5*10mm
6 pcs



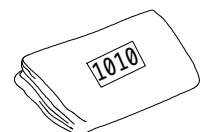
Inner hexagon
spanner 1 pcs



expansion link
2 pcs



Inner hexagon spanner
with cross 1 pcs



lining bag
1 pcs

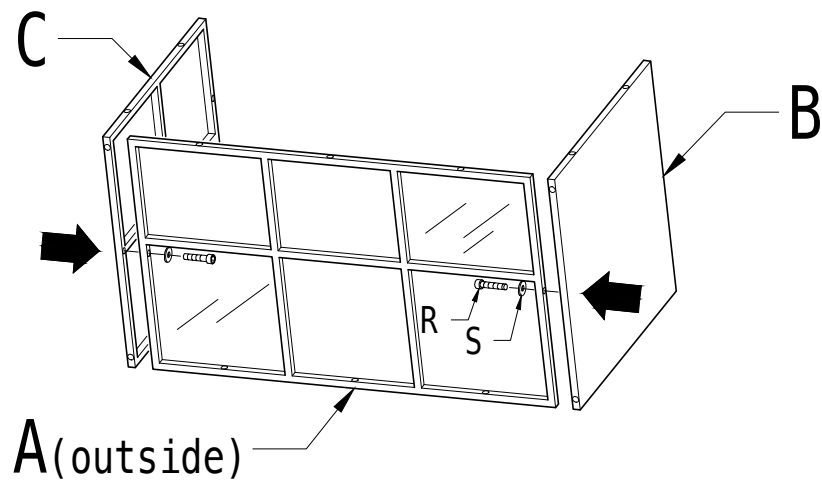
Step 1

A x 1, B x 1, C x 1



R: screw M6*35mm
2 pcs

S: shim
ø16*6.4*1 2 pcs



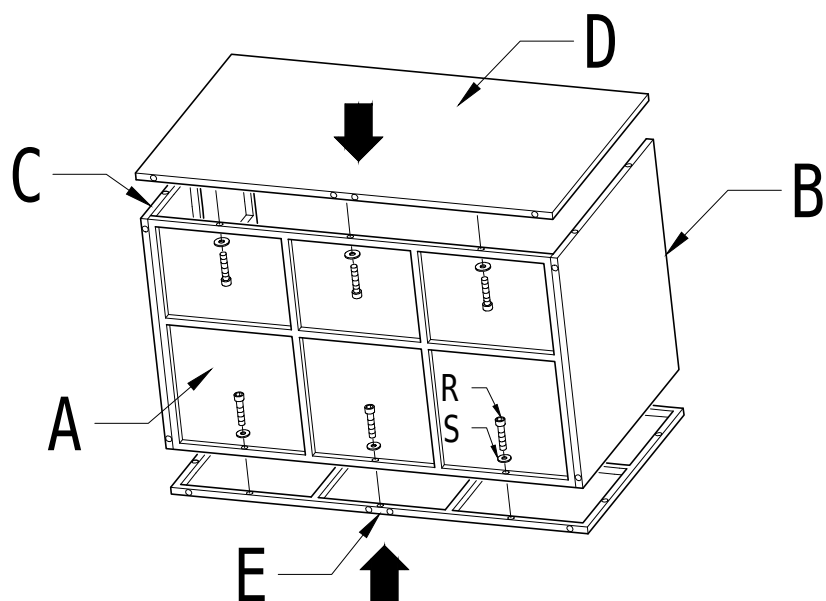
Step 2-1

D x 1, E x 1



R: screw M6*35mm
6 pcs

S: shim
ø16*6.4*1 6 pcs

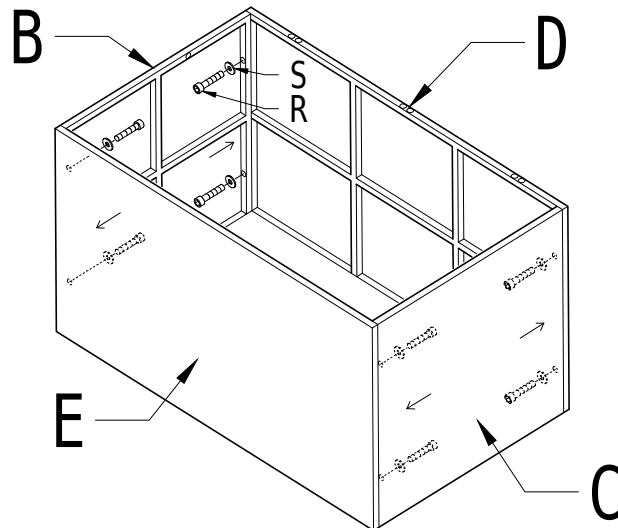


Step 2-2



R: screw M6*35mm
8 pcs

S: shim
ø16*6.4*1 8 pcs

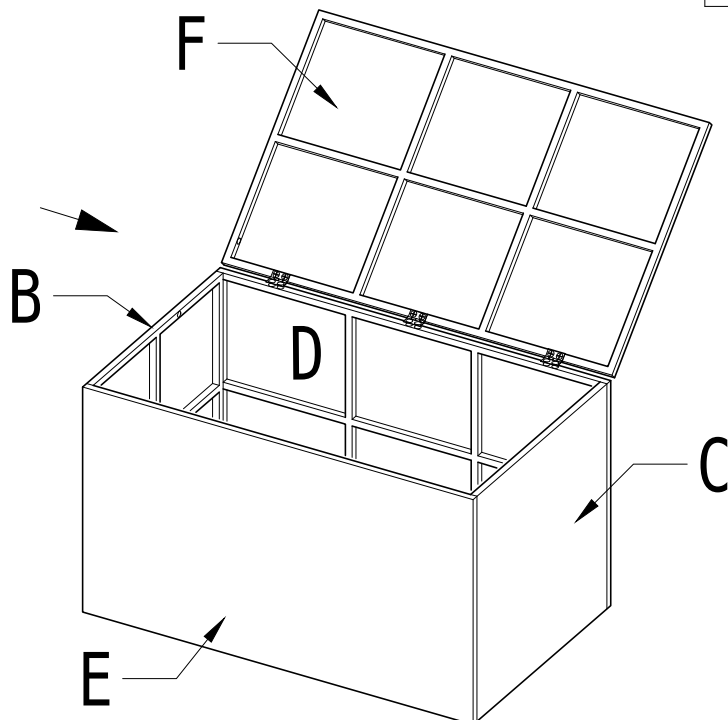
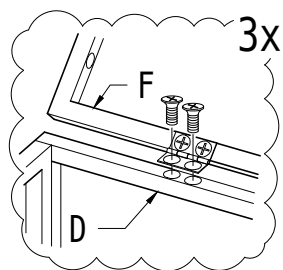


Step 3

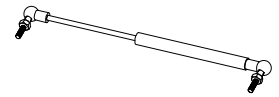
F x 1



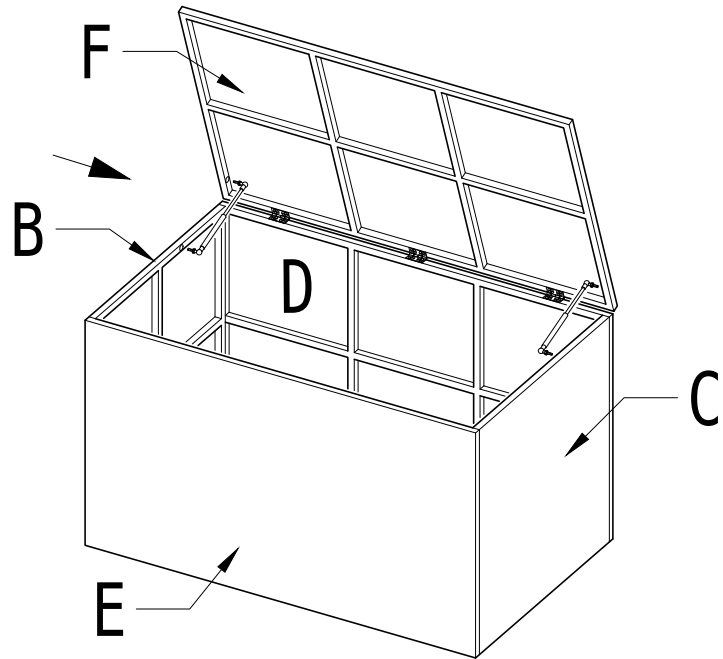
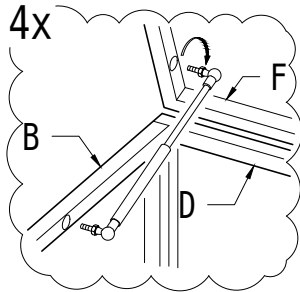
screw M5*10mm
6 pcs



Step 4



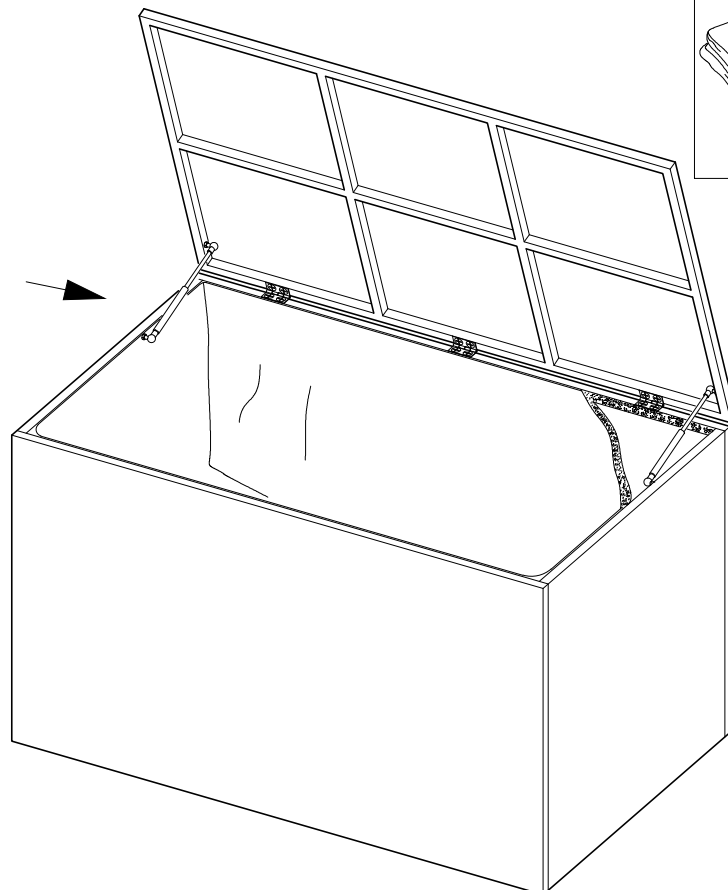
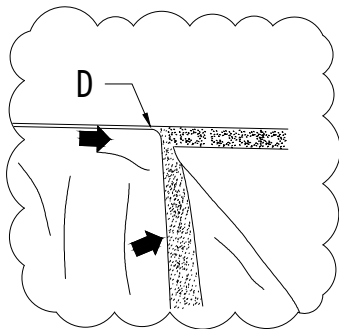
expansion link
2 pcs



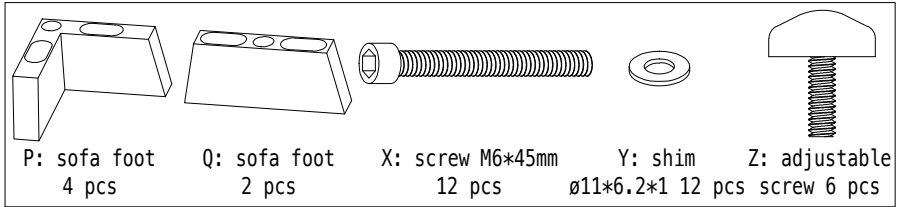
Step 5



lining bag
1 pcs



Step 6



P: sofa foot 4 pcs Q: sofa foot 2 pcs X: screw M6×45mm 12 pcs Y: shim ø11×6.2×1 12 pcs Z: adjustable screw 6 pcs

