

# ASSEMBLY INSTRUCTIONS



THIS INSTRUCTIONS CONTAINS IMPORTANT SAFETY INFORMATION.  
PLEASE READ BEFORE ASSEMBLY AND KEEP FOR FUTURE REFERENCE.

*Need Parts or Assistance? Email us at [cs@nbrehome.com](mailto:cs@nbrehome.com)*

# IMPORTANT NOTICE

- This product contains small components, please ensure that they are kept away from small children.
- THIS INSTRUCTIONS CONTAINS IMPORTANT SAFETY INFORMATION. PLEASE READ BEFORE ASSEMBLY AND KEEP FOR FUTURE REFERENCE.
- Read each step carefully. It is very important that each step of instruction is performed in the correct order. If these steps are not followed in sequence, assembly difficulties will occur.
- Make sure all parts are included. Most parts are labelled or stamped on the raw edge.
- Work in spacious area, preferably on a carpet, near the place the unit will be used.
- Do not use power tools to assemble your furniture. Power tools may strip or damage the parts.
- Move your new furniture carefully, with two people lift and carry the unit to it's new location.
- Never push, drag or pull your furniture (especially on carpet)





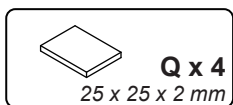
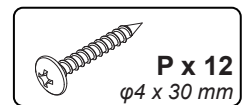
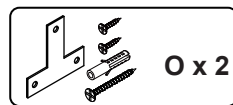
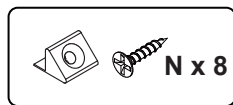
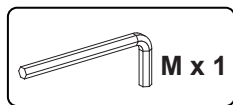
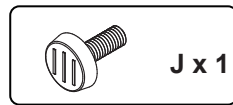
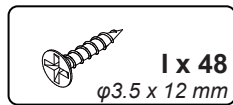
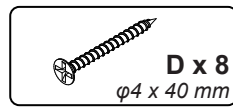
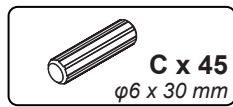
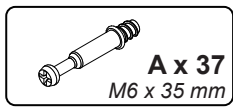
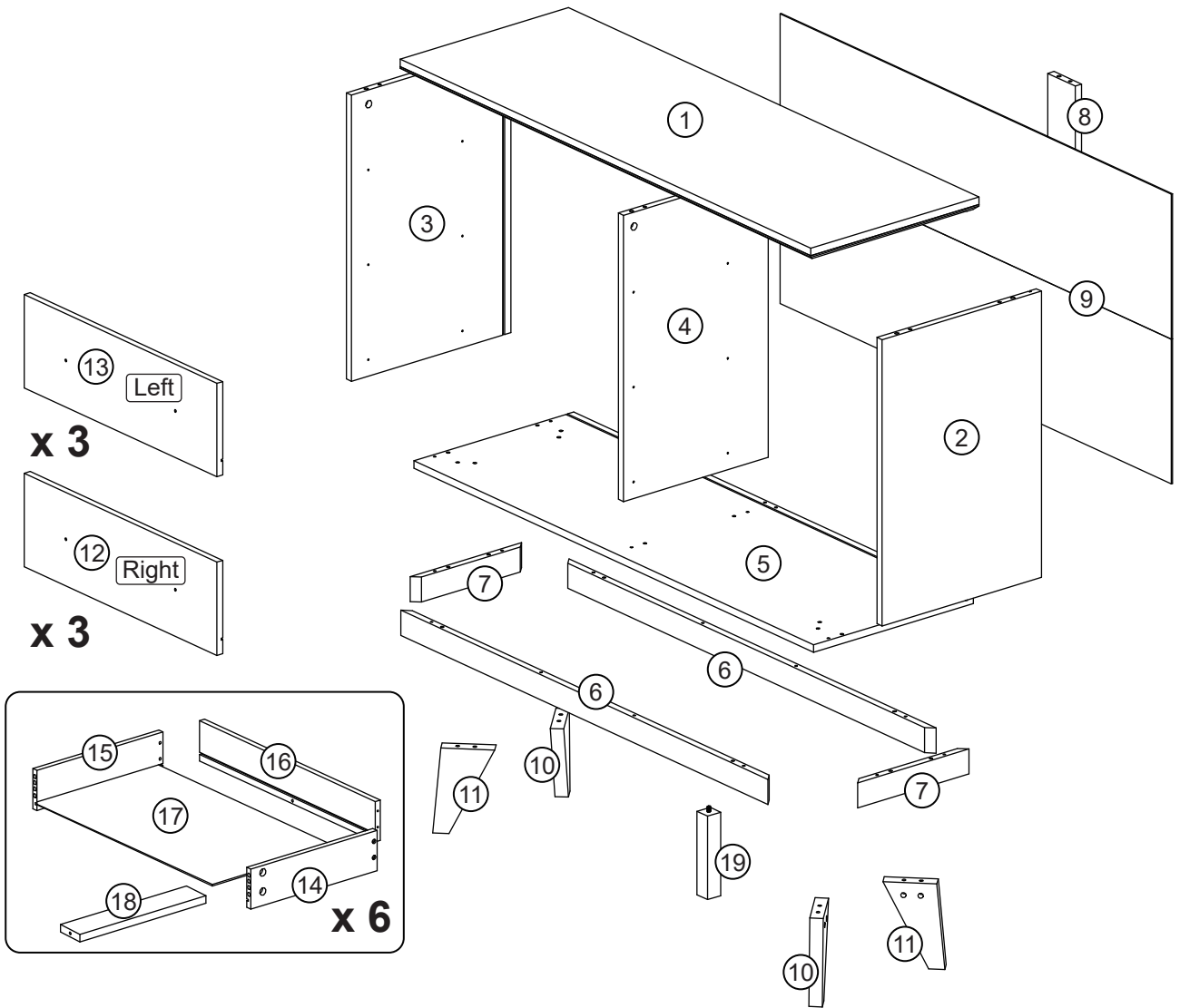
## PLEASE DO NOT RETURN PRODUCT TO US IMMEDIATELY

If a part is missing or damaged, email our customer service. We will gladly ship your replacement parts FREE of charge.

Need Parts or Assistance? Email us at [cs@nbrehome.com](mailto:cs@nbrehome.com)

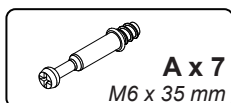
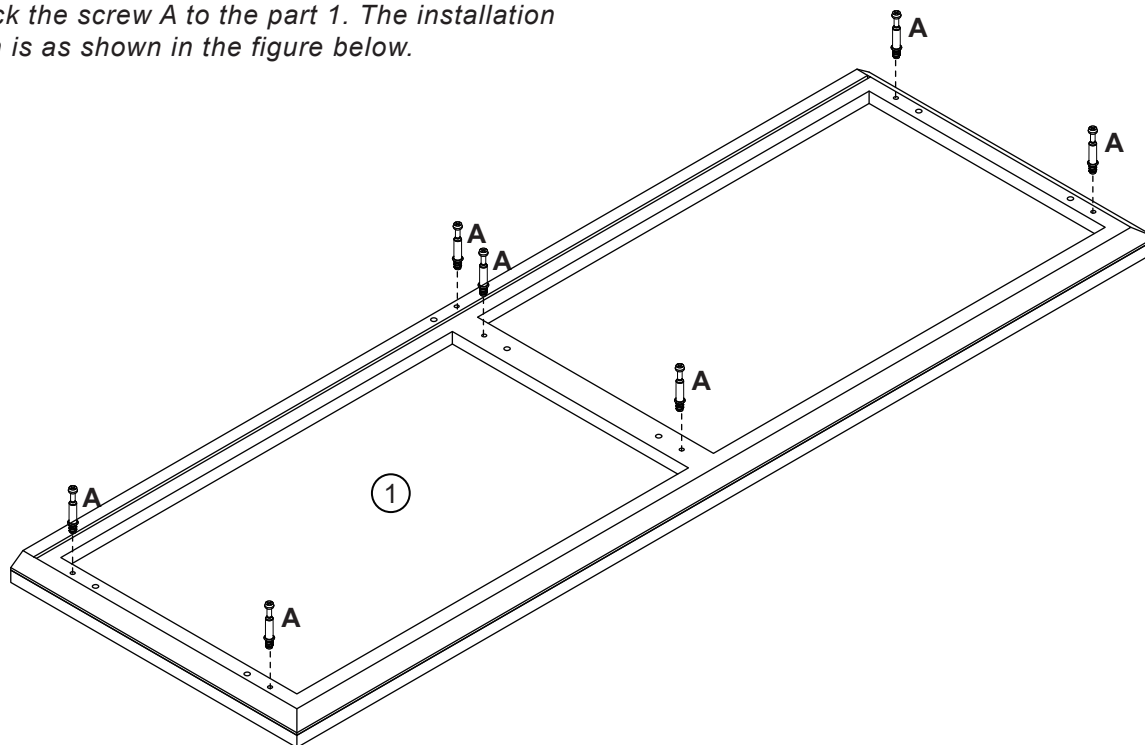
For Prompt, reliable service, please have your assemble instruction ready.

 <b>WARNING</b>	
	<p><b>Children have died from furniture tipover. To reduce the risk of furniture tipover:</b></p> <ul style="list-style-type: none"><li>• ALWAYS install tipover restraint provided.</li><li>• NEVER put a TV on this product.</li><li>• NEVER allow children to stand, climb or hang on drawers, doors, or shelves.</li><li>• NEVER open more than one drawer at a time.</li><li>• Place heaviest items in the lowest drawers.</li></ul>
	



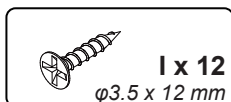
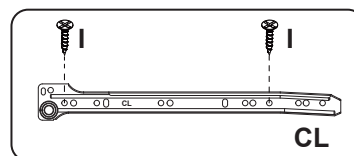
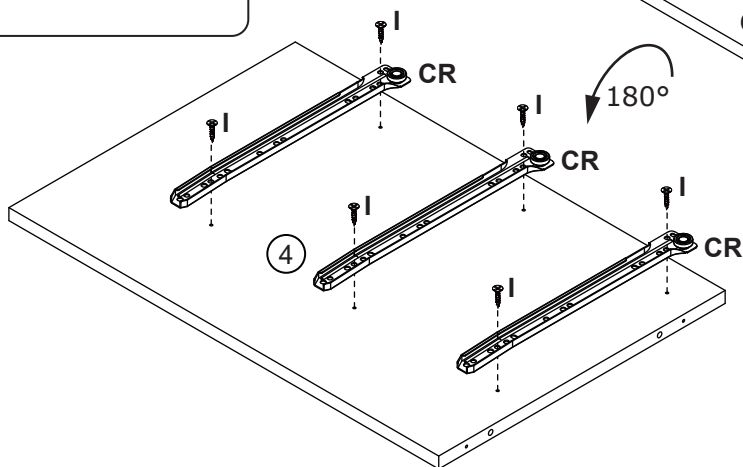
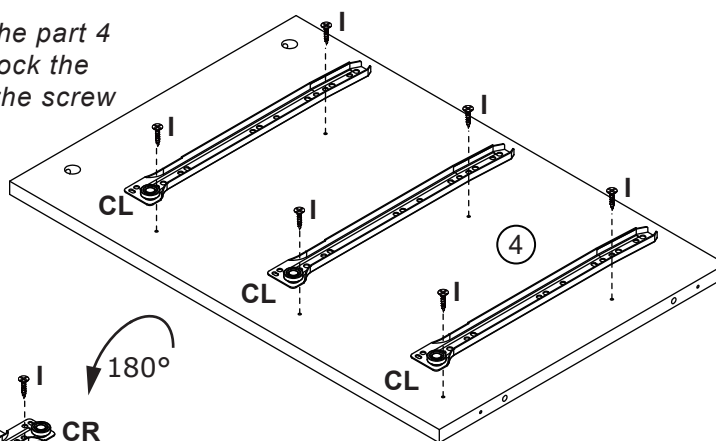
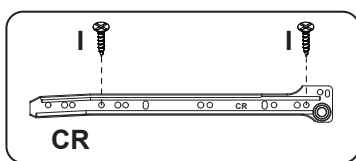
# Step 1

First lock the screw A to the part 1. The installation position is as shown in the figure below.



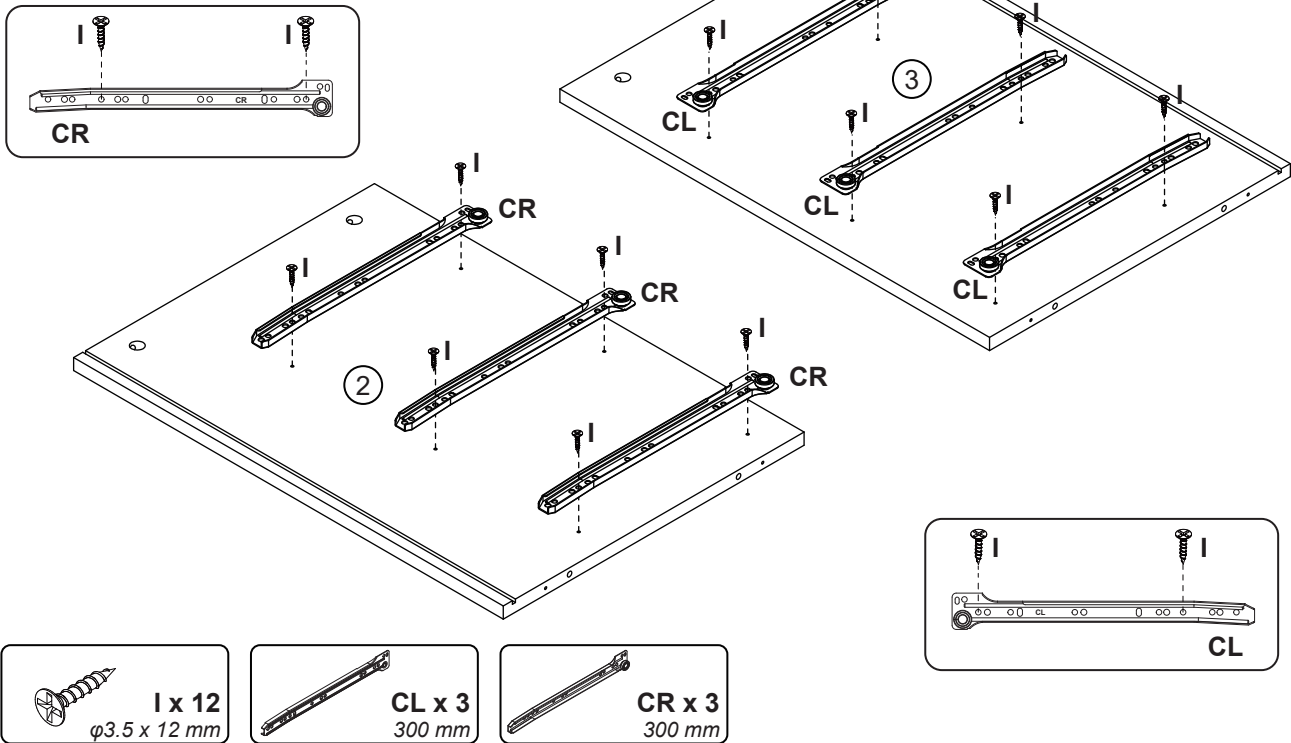
# Step 2

First lock the guide rail CL to the right side of the part 4 with the screw I, then turn it 180 degrees and lock the guide rail CR to the left side of the part 4 with the screw I, the installation position is as shown below.



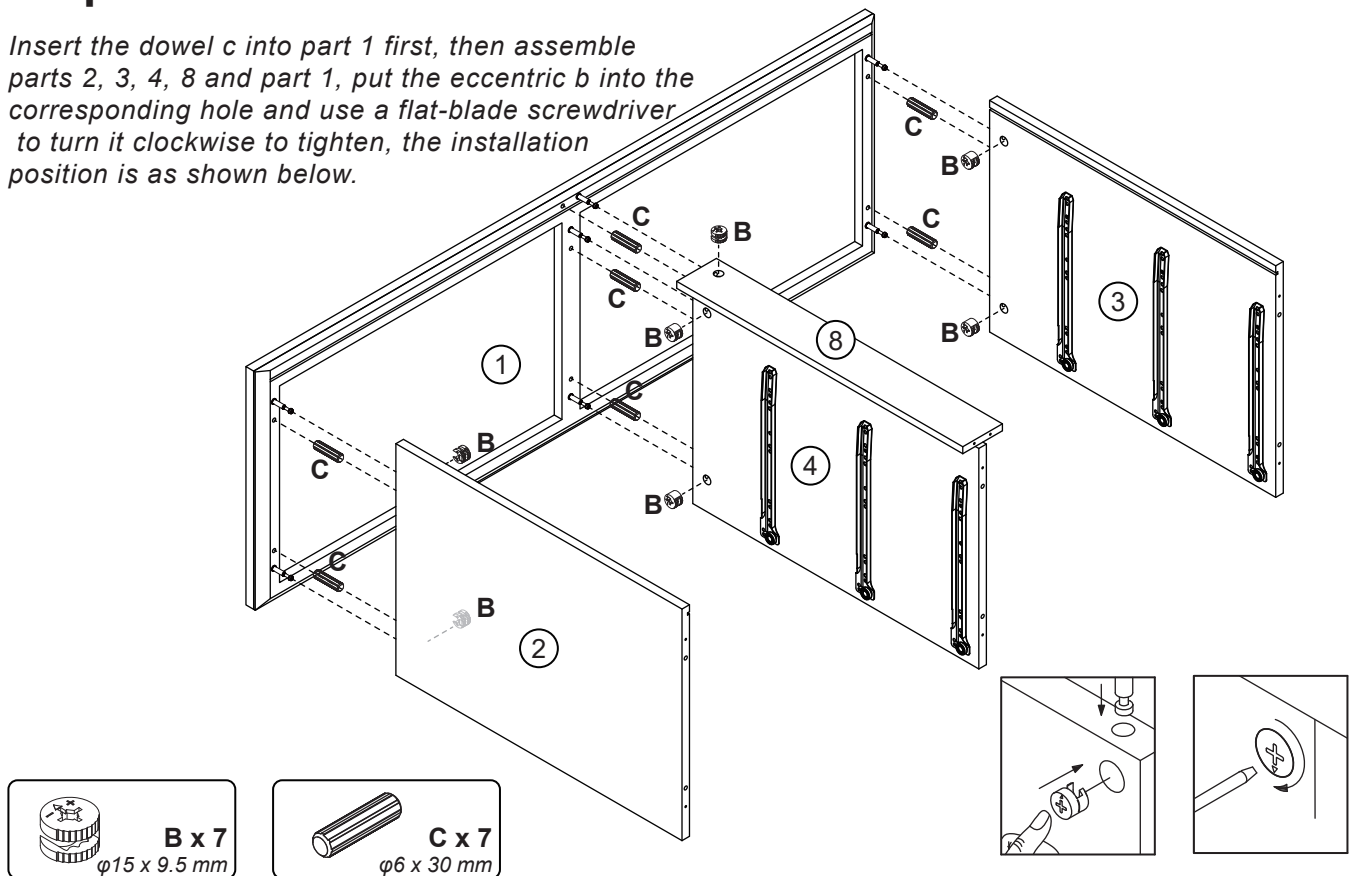
## Step 3

First lock the guide rail CL to the part 3 with the screw I, then lock the guide rail CR to the part 2 with the screw I. The installation position is as shown in the figure below.



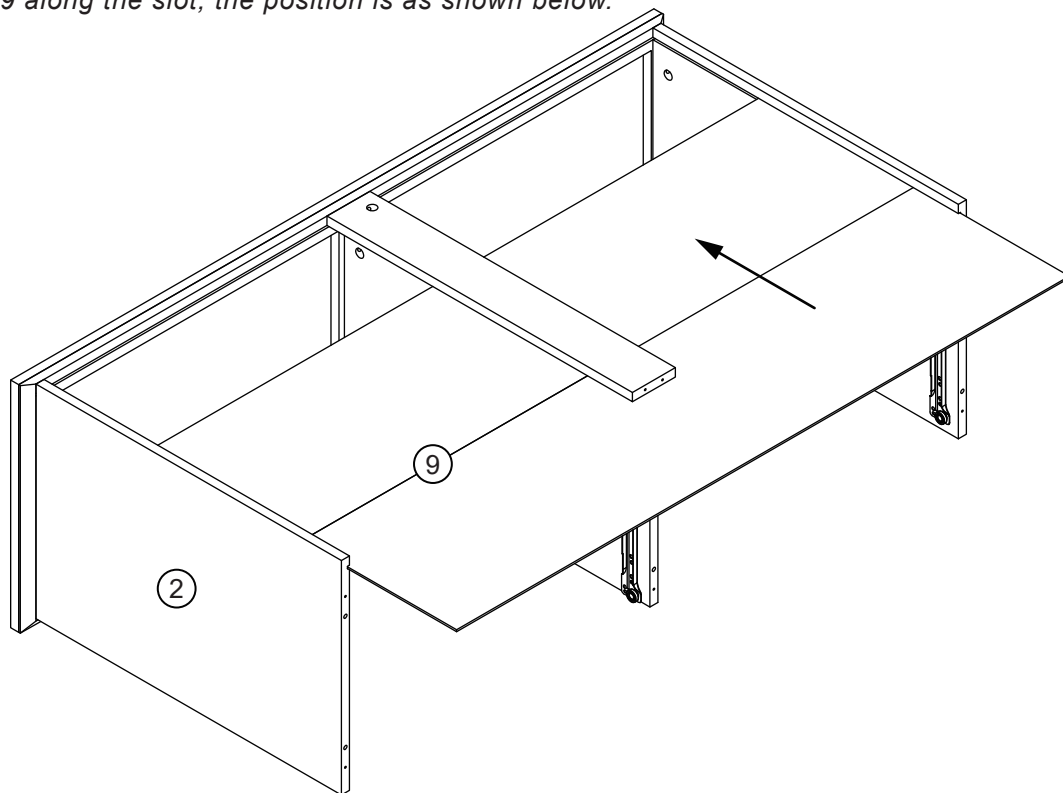
## Step 4

Insert the dowel c into part 1 first, then assemble parts 2, 3, 4, 8 and part 1, put the eccentric b into the corresponding hole and use a flat-blade screwdriver to turn it clockwise to tighten, the installation position is as shown below.



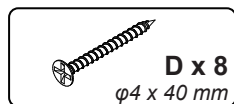
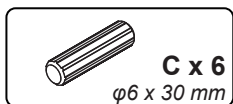
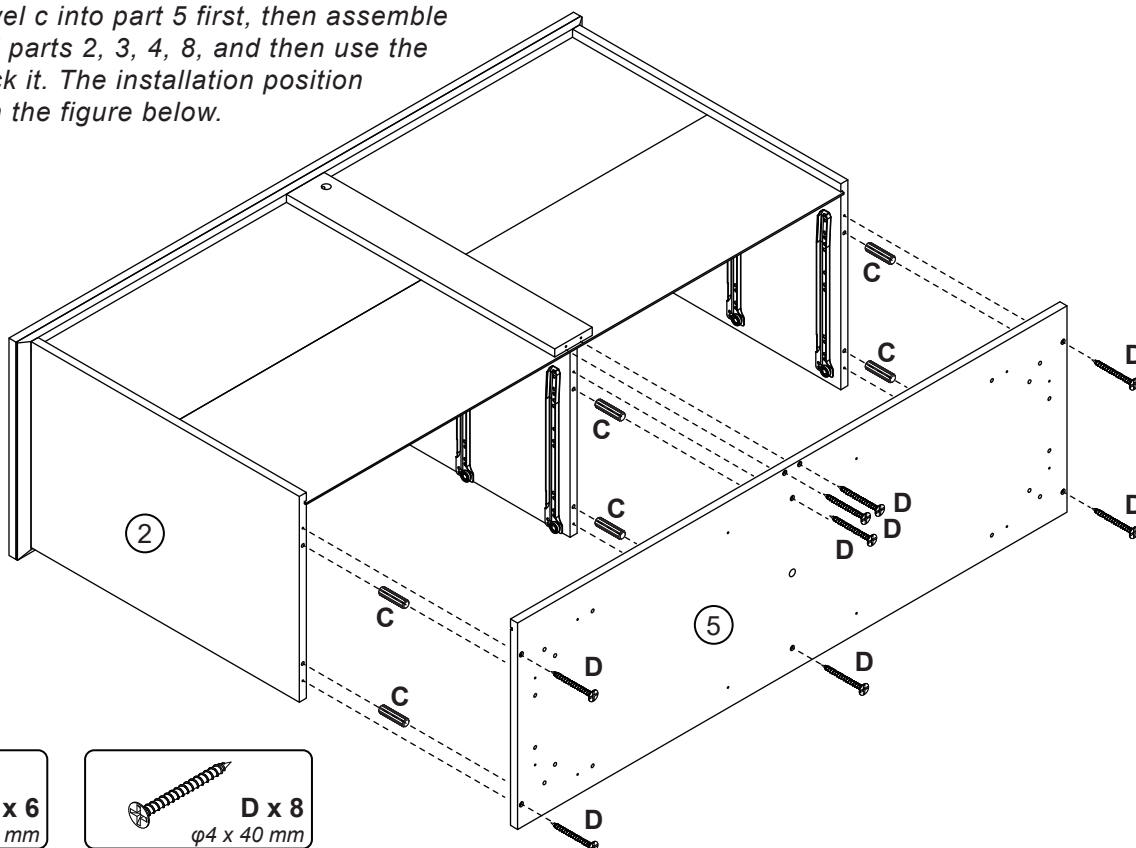
## Step 5

Insert part 9 along the slot, the position is as shown below.



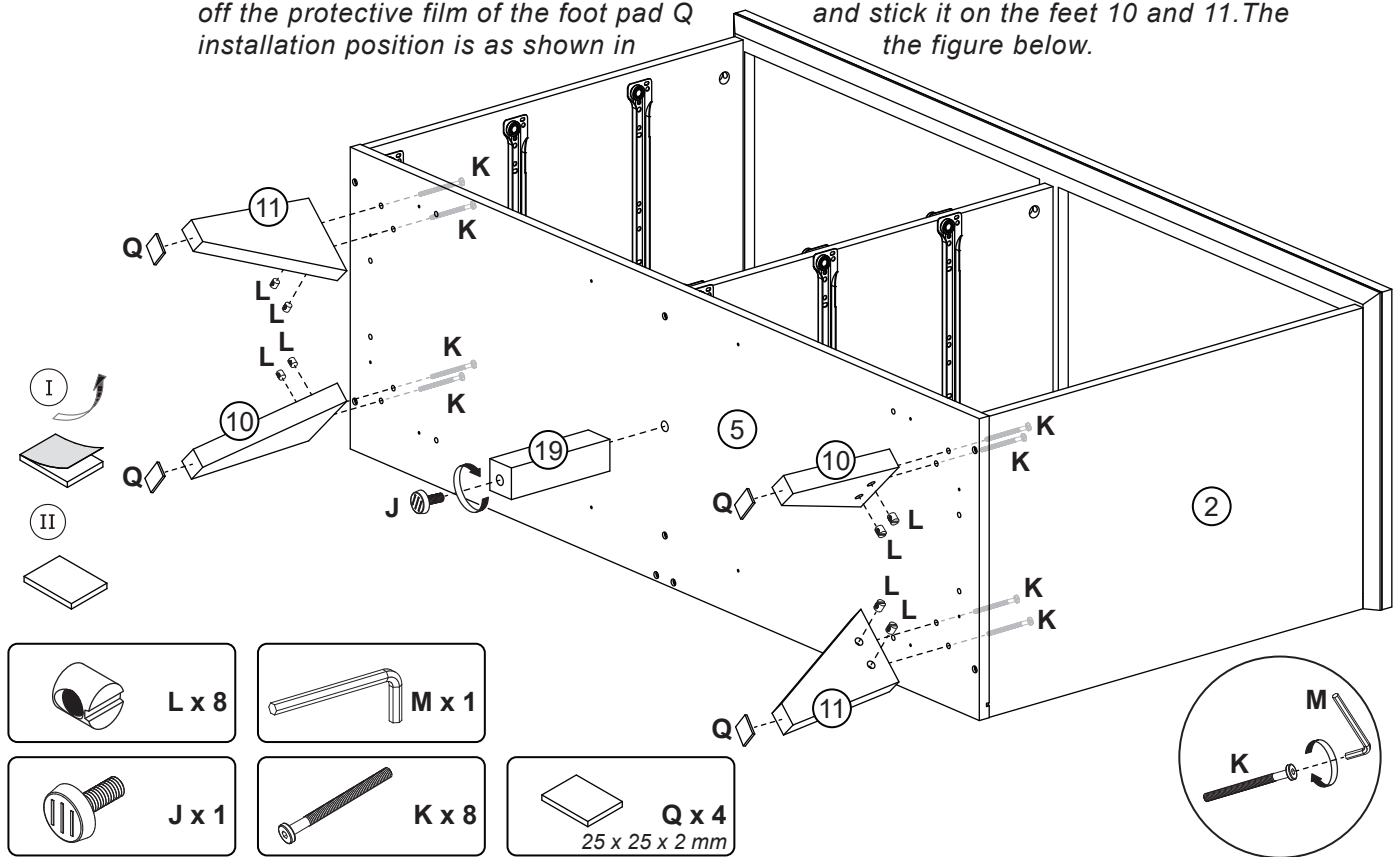
## Step 6

Insert the dowel c into part 5 first, then assemble the part 6 and parts 2, 3, 4, 8, and then use the screw D to lock it. The installation position is as shown in the figure below.



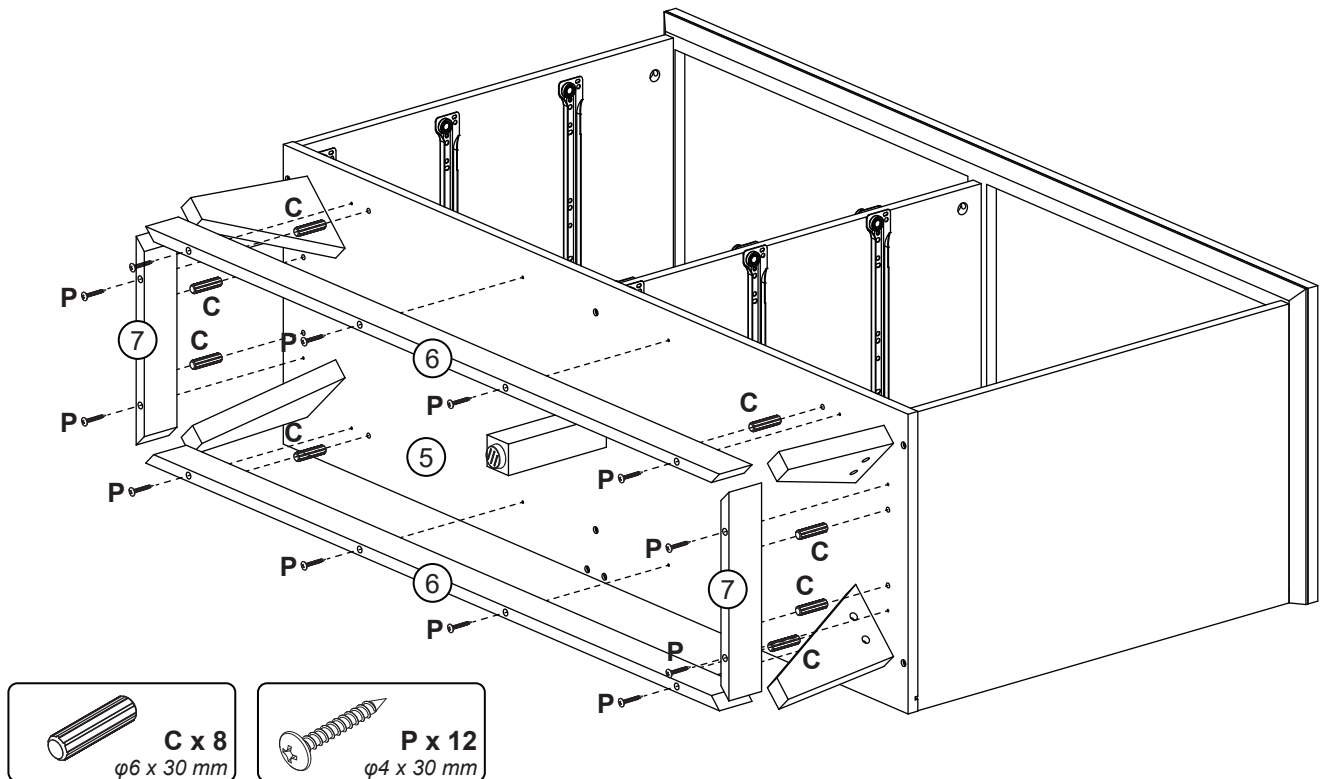
## Step 7

First use the screw K and the vertical nut L to assemble the feet 10, 11 and the bottom plate 5, and then align one end of the screw of the foot 19 with the corresponding hole of the bottom plate 5 and tighten. After installing the adjusting foot J on the foot 19, finally tear off the protective film of the foot pad Q and stick it on the feet 10 and 11. The installation position is as shown in the figure below.



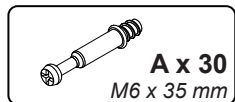
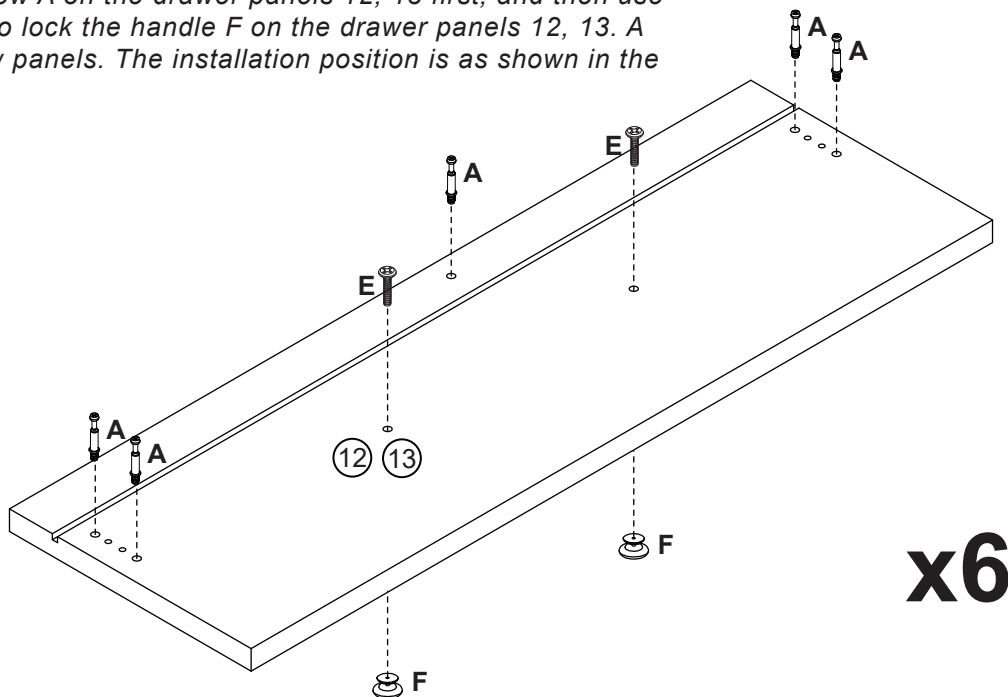
## Step 8

Insert the dowel C into the corresponding hole of the bottom plate 5, and then use the screw P to assemble the parts 6, 7 and the bottom plate 5. The installation position is as shown in the figure below.



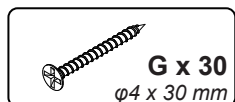
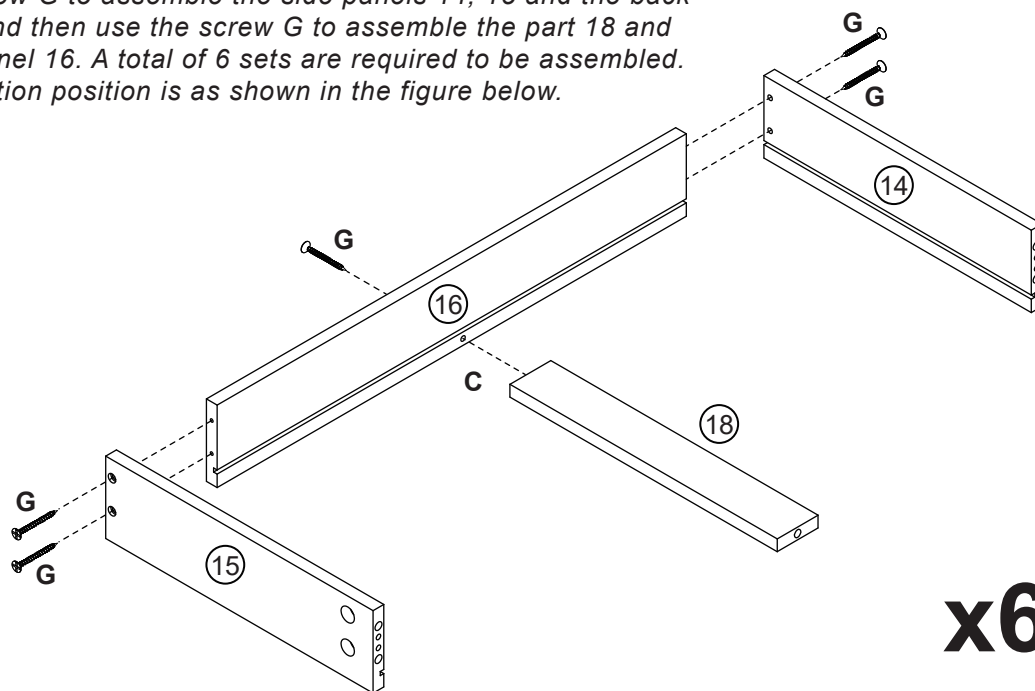
## Step 9

Install the screw A on the drawer panels 12, 13 first, and then use the screw E to lock the handle F on the drawer panels 12, 13. A total of 6 drawer panels. The installation position is as shown in the figure below.



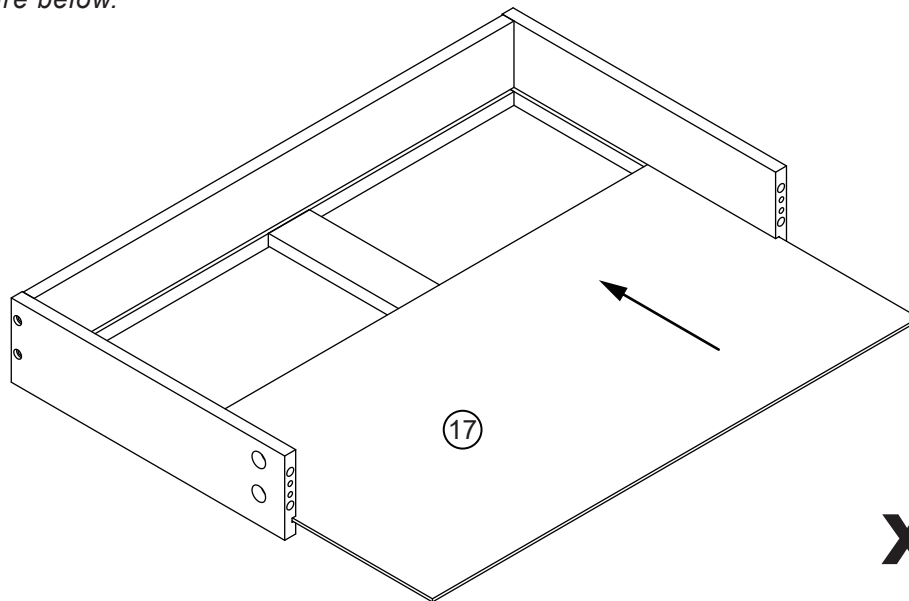
## Step 10

Use the screw G to assemble the side panels 14, 15 and the back panel 16, and then use the screw G to assemble the part 18 and the back panel 16. A total of 6 sets are required to be assembled. The installation position is as shown in the figure below.



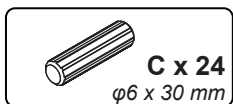
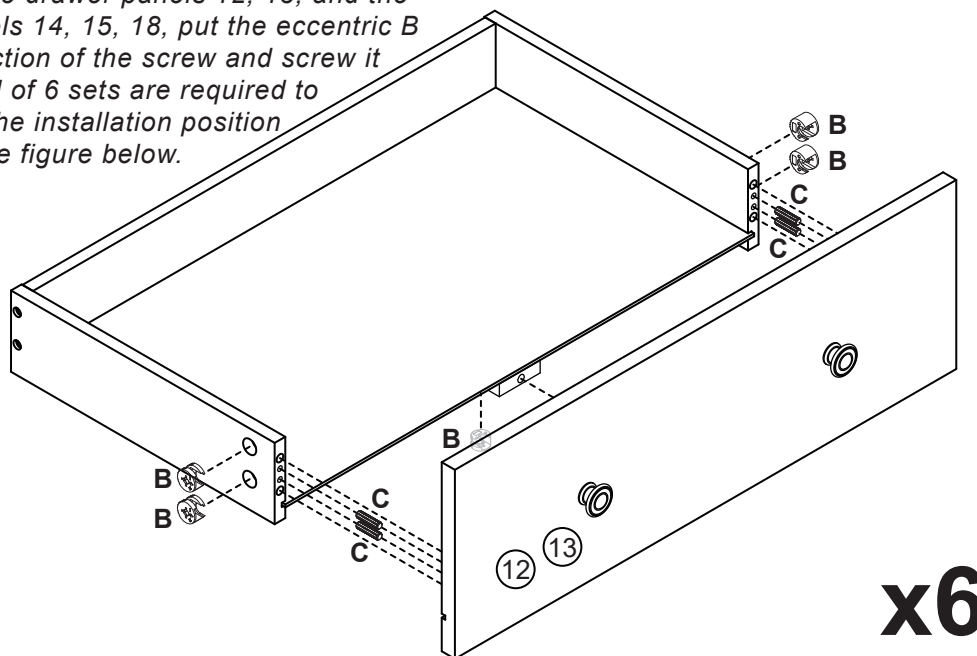
## Step 11

Insert the bottom plate 17 according to the card slot of the side plate. A total of 6 sets are required to be assembled. The installation position is as shown in the figure below.



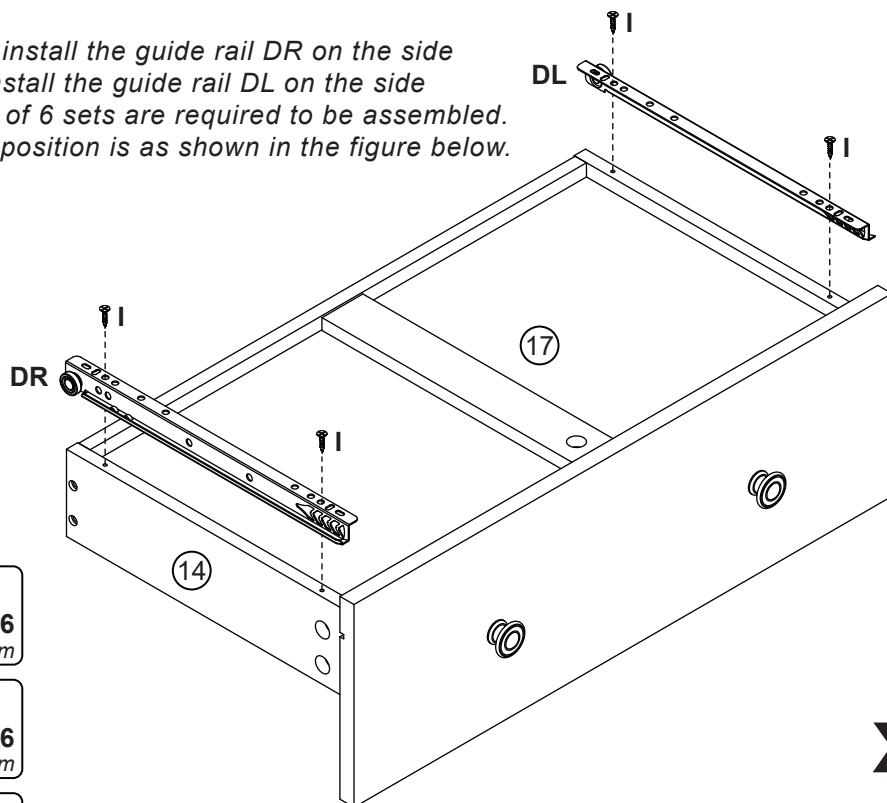
## Step 12

Insert the wooden tenon C into the component 14, 15 first, then assemble the drawer panels 12, 13, and the drawer side panels 14, 15, 18, put the eccentric B arrow in the direction of the screw and screw it clockwise. A total of 6 sets are required to be assembled. The installation position is as shown in the figure below.



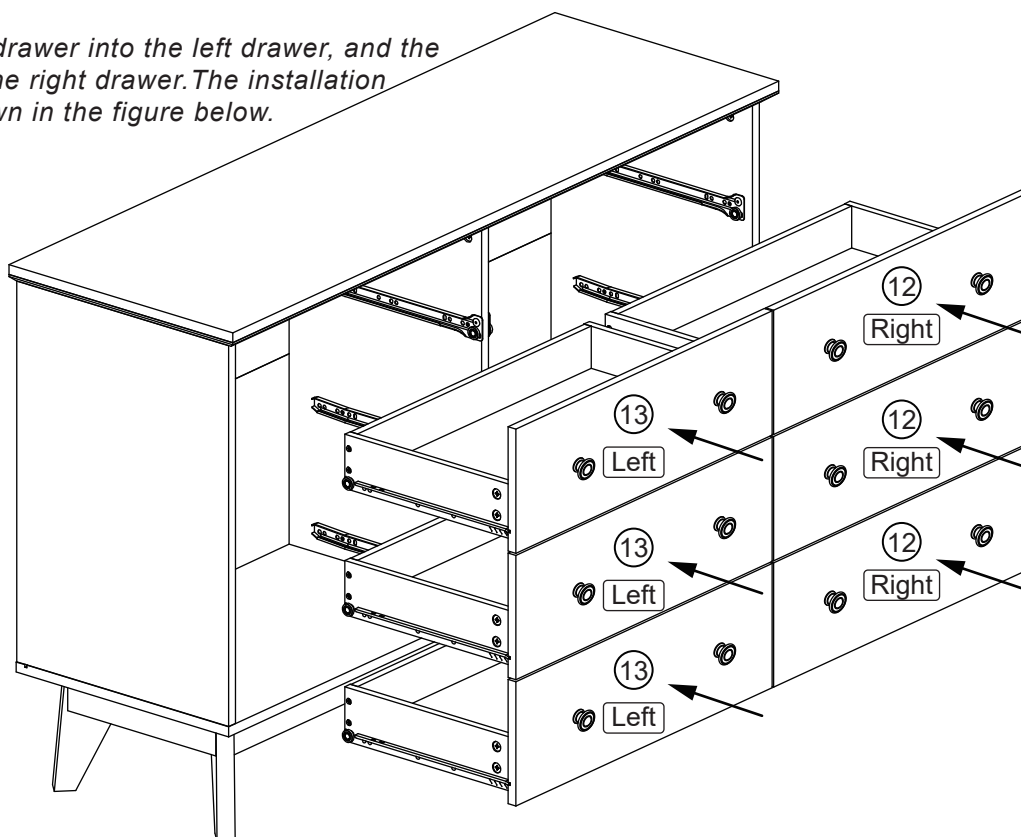
## Step 13

Use screws I to install the guide rail DR on the side panel 14, and install the guide rail DL on the side panel 15. A total of 6 sets are required to be assembled. The installation position is as shown in the figure below.



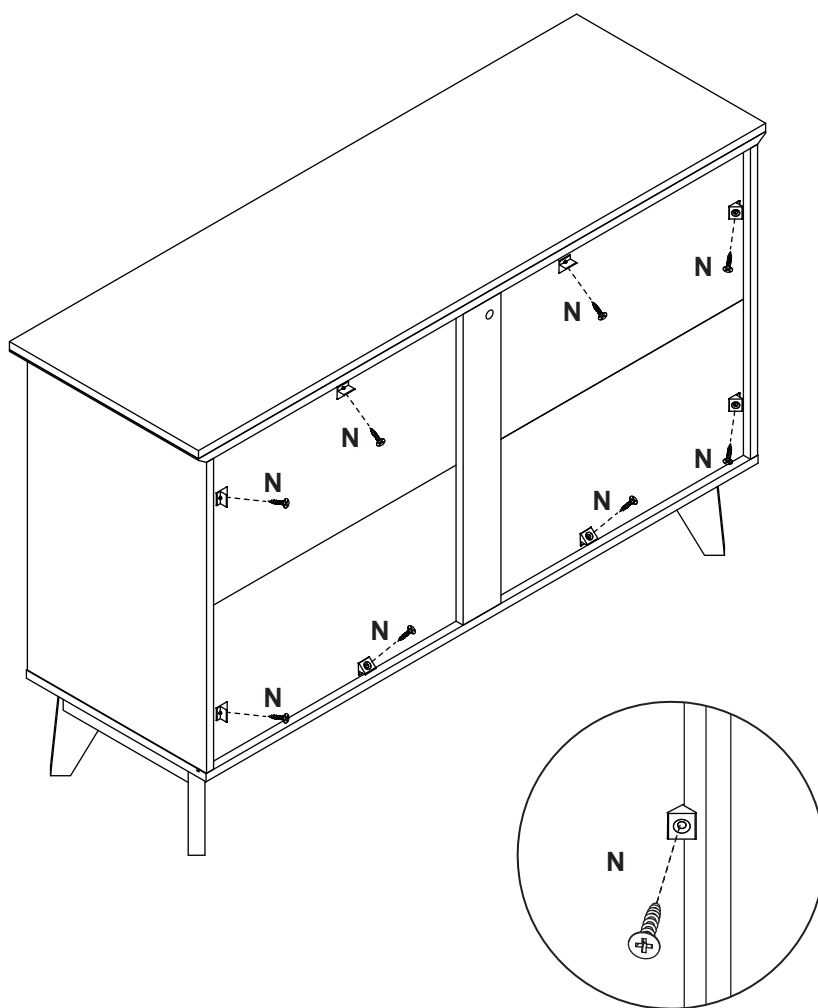
## Step 14

Install the No. 13 drawer into the left drawer, and the 12th drawer into the right drawer. The installation position is as shown in the figure below.



## Step 15

Use the screws in component N to fasten the back plate buckle.  
The installation position is as shown in the figure below.



## Step 16

Use the short screws in the O component to fix the T-shaped iron plate first, and then put it back on the back of the cabinet against the wall, drill holes in the wall where it is placed, and use the long and expansion screws Fasten the T-piece to the wall. The installation location is shown in the figure below.

