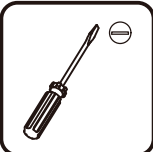
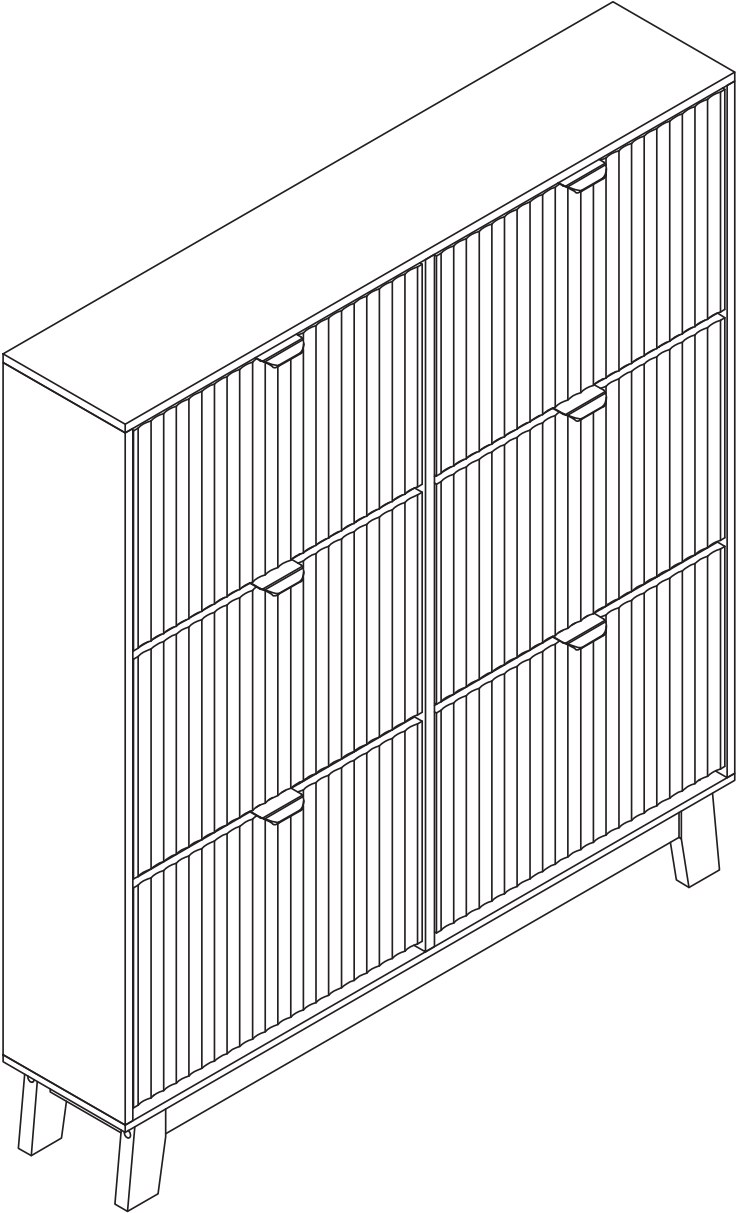


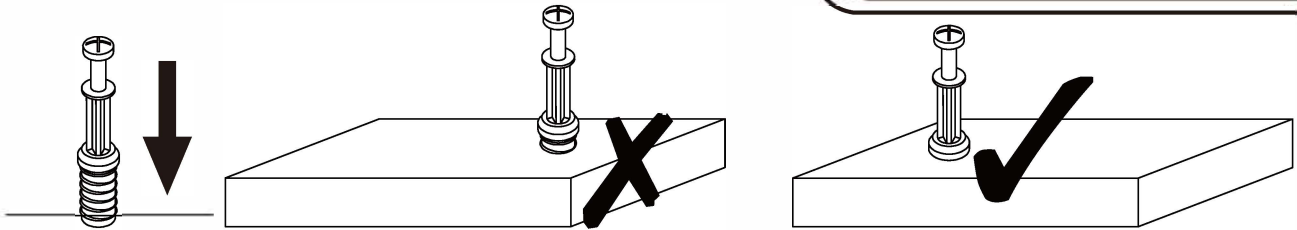
Installation & Assembly

Version:1.0

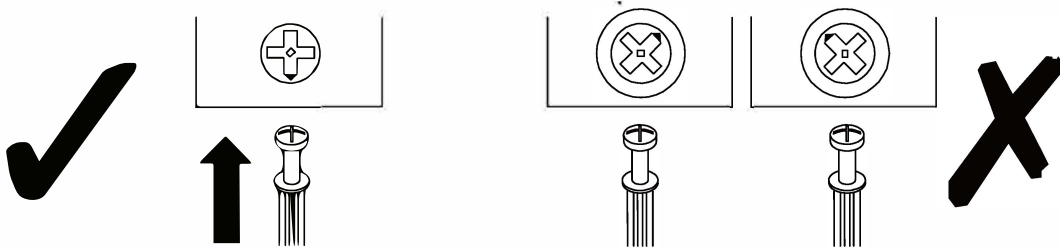


EN_IMPORTANT, RETAIN FOR FUTURE REFERENCE: READ CAREFULLY.

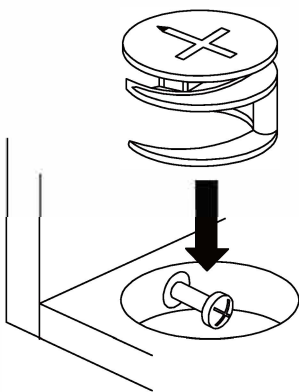
USING CAM LOCK AND QUICKFIT



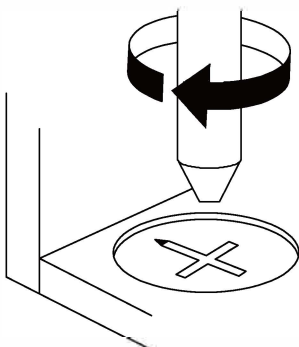
EN_QUICKFIT: Tighten quickfit until shoulder is flush with panel. Do not overtighten or undertighten.



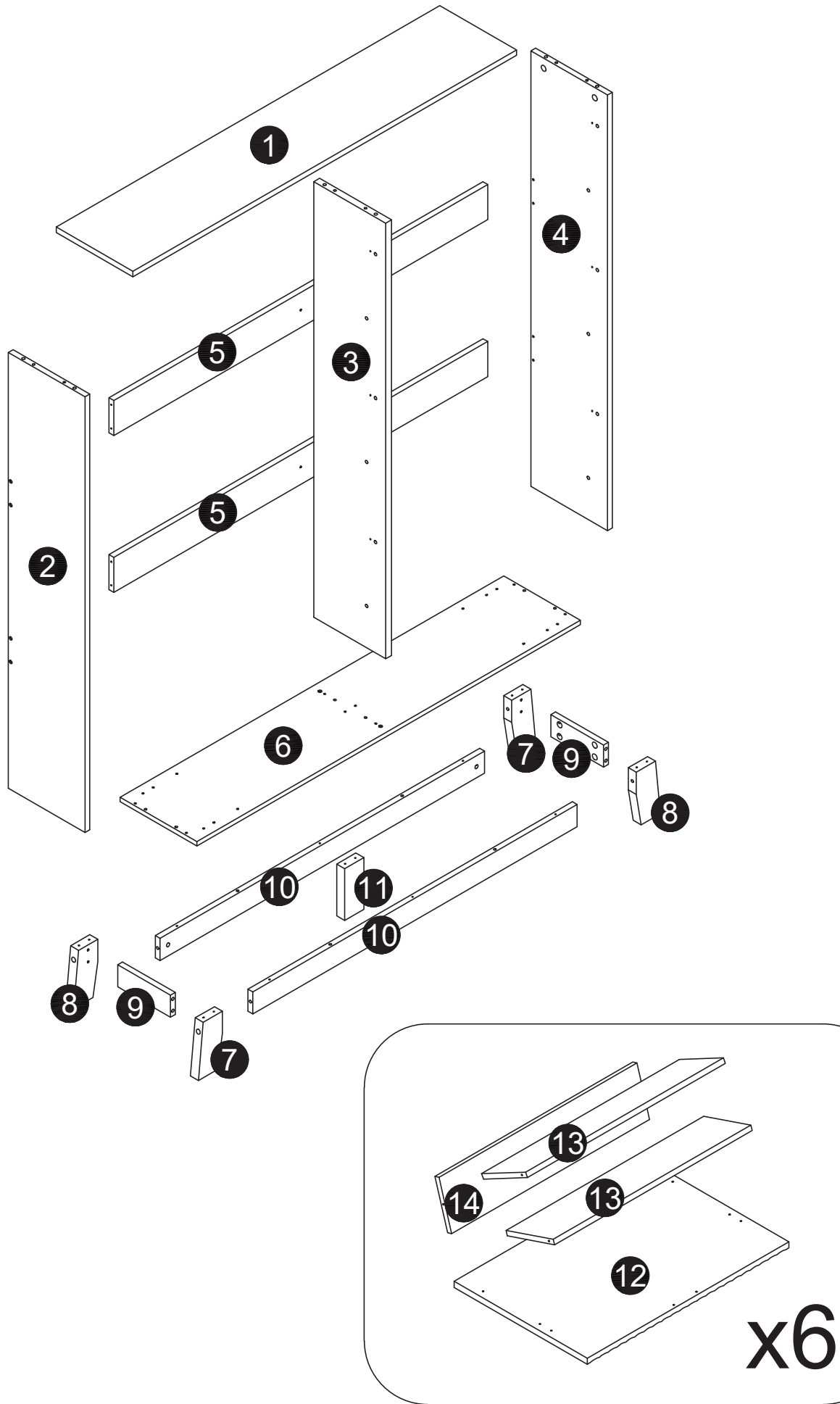
EN_CAM LOCK: When fitting cam lock, ensure starting position is correct before you insert connecting quickfit.



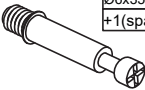

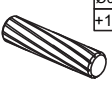
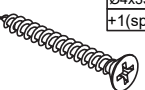

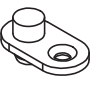




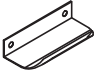



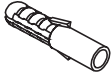

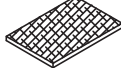
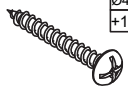

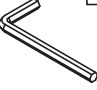

EN_Quickfit head should be in the centre of the cam lock when the two panels are joined.
Cam lock should be inserted before quickfit.



EN_Turn cam lock clockwise to tighten.

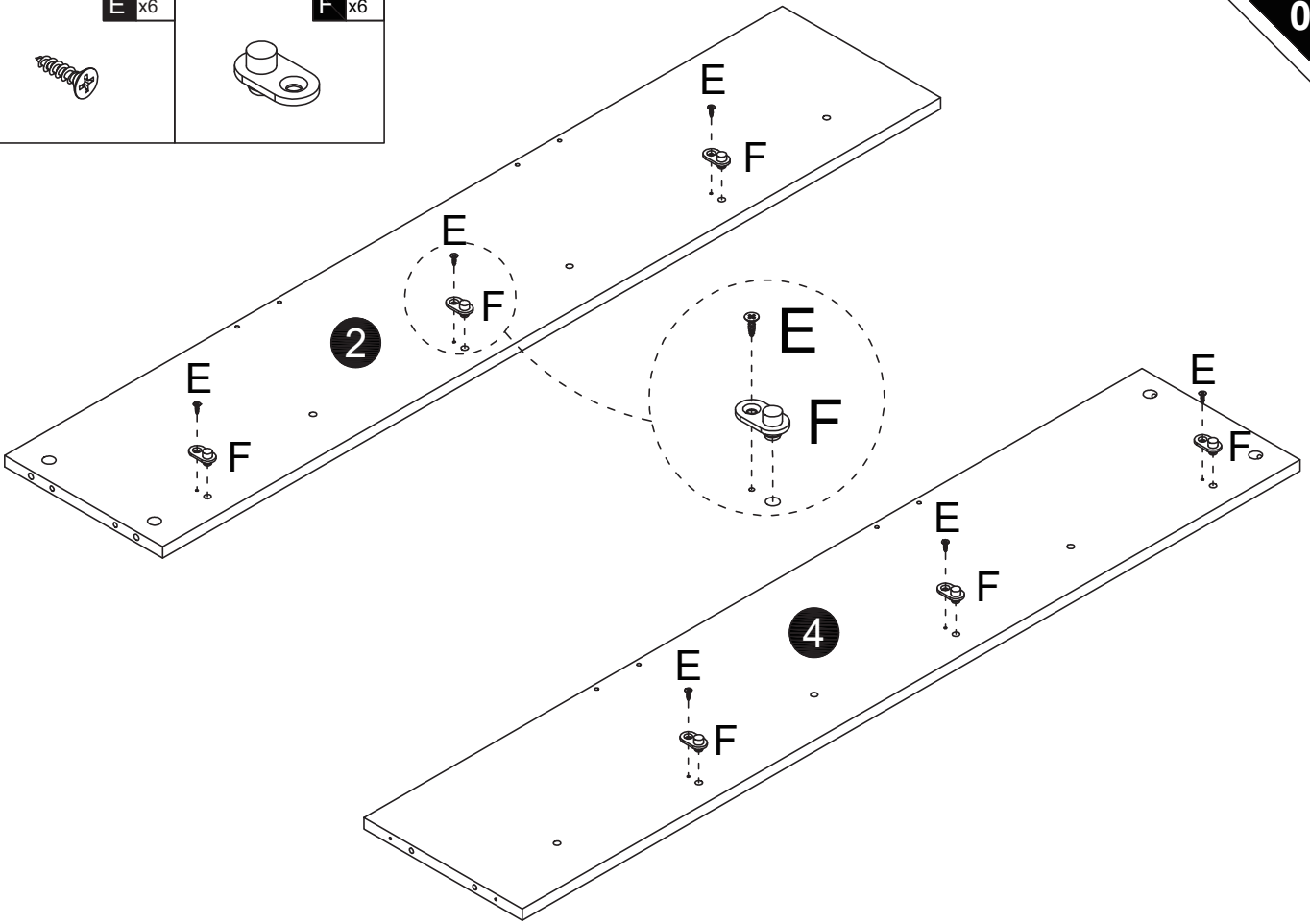


HARDWARE

 <p>A x14 Ø6x35mm +1(spare)</p>	 <p>B x14 Ø15x10mm +1(spare)</p>	 <p>C x16 Ø6x30mm +1(spare)</p>	 <p>D x18 Ø4x35mm +1(spare)</p>	 <p>E x96 Ø3.5x12mm +5(spare)</p>	 <p>F x12</p>
 <p>G x12</p>	 <p>H x12</p>	 <p>I x4</p>	 <p>J x4</p>	 <p>K x6</p>	 <p>L x6</p>
  <p>M x2 Ø4x14mm</p> <p>M-1 M-2</p>	 <p>N x2 Ø6x30mm</p>	 <p>O x12 15mm +2(spare)</p>	 <p>P x4</p>	 <p>Q x16 Ø4x30mm +1(spare)</p>	 <p>R x6</p>
 <p>S x1 M5</p>	 <p>T x1</p>				

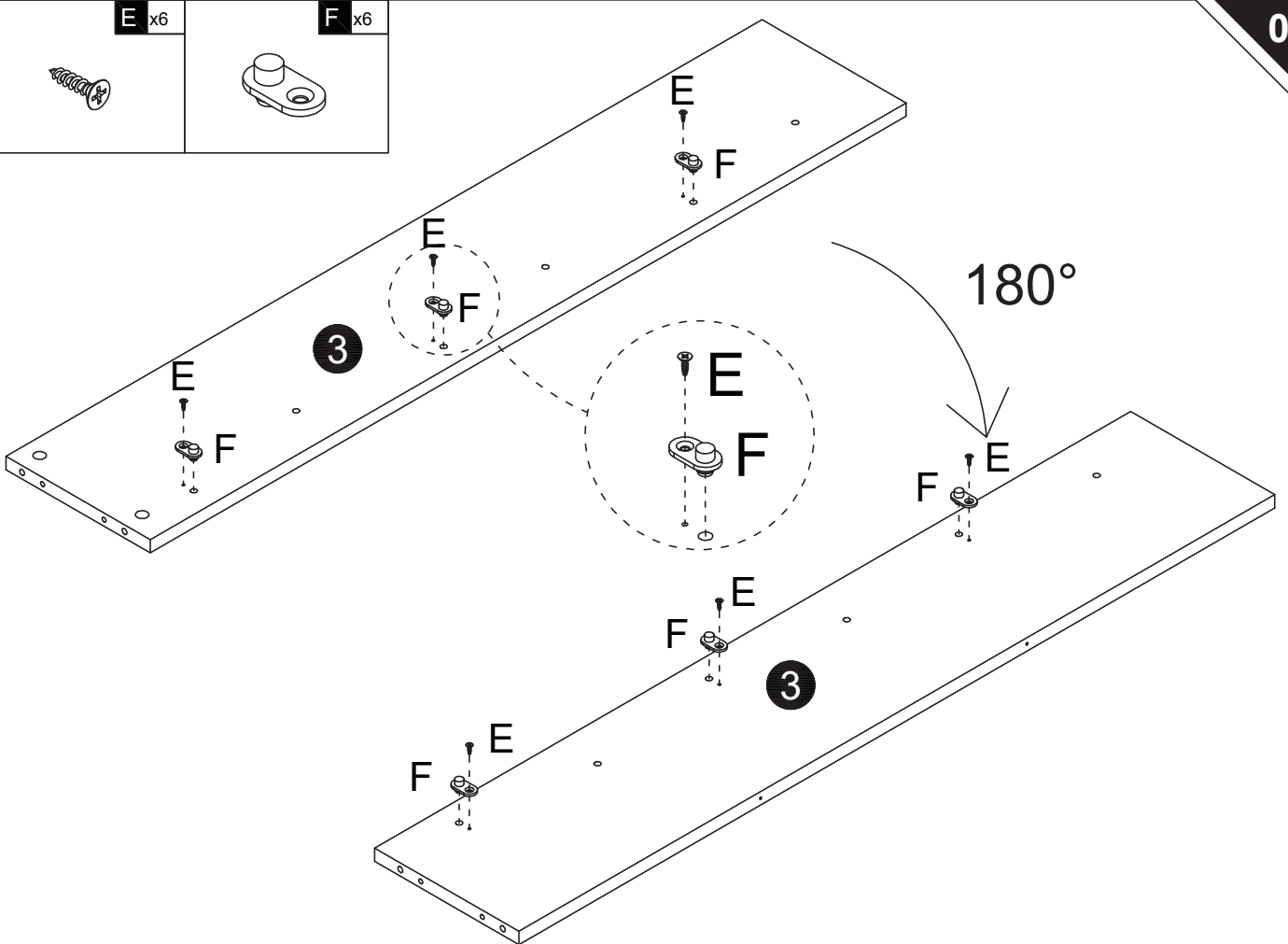
E x6

F x6

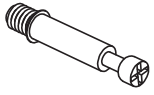


E x6

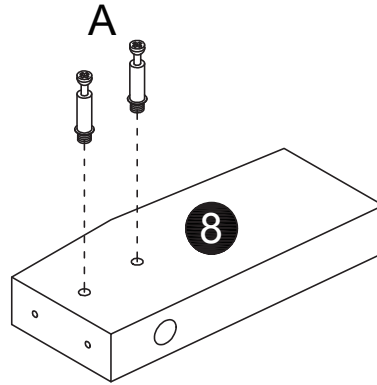
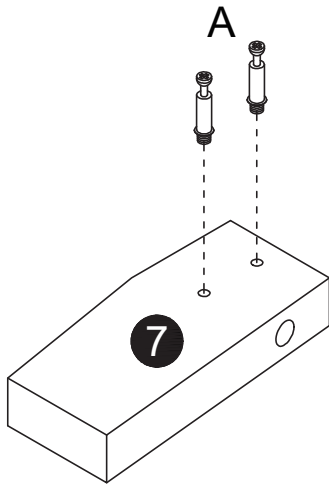
F x6



A x8



03

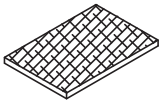


x2

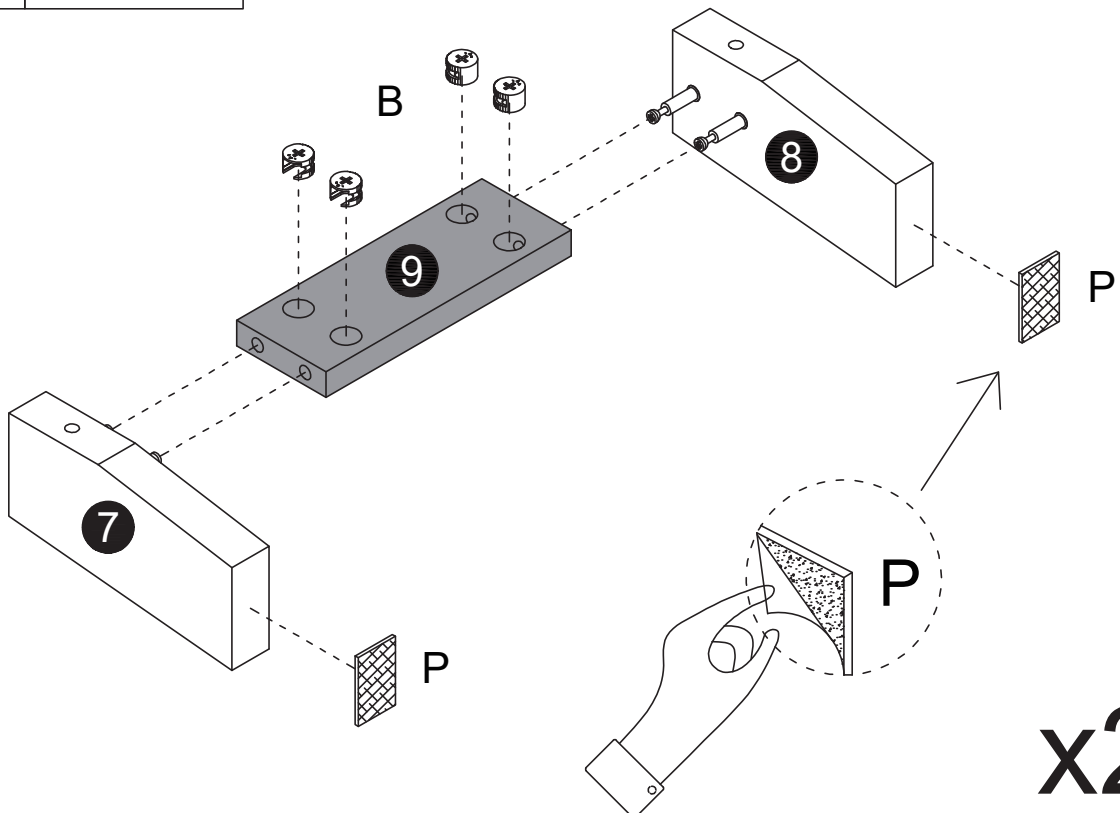
B x8



P x4



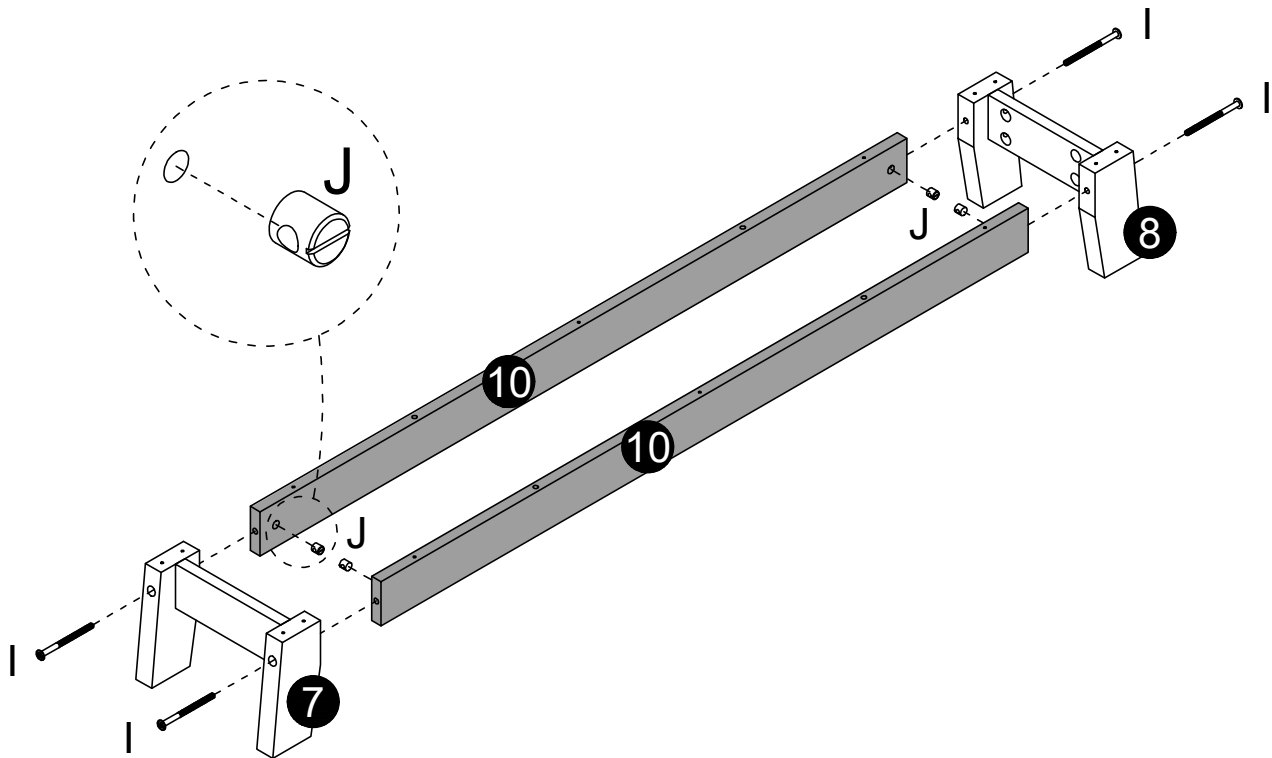
04



x2

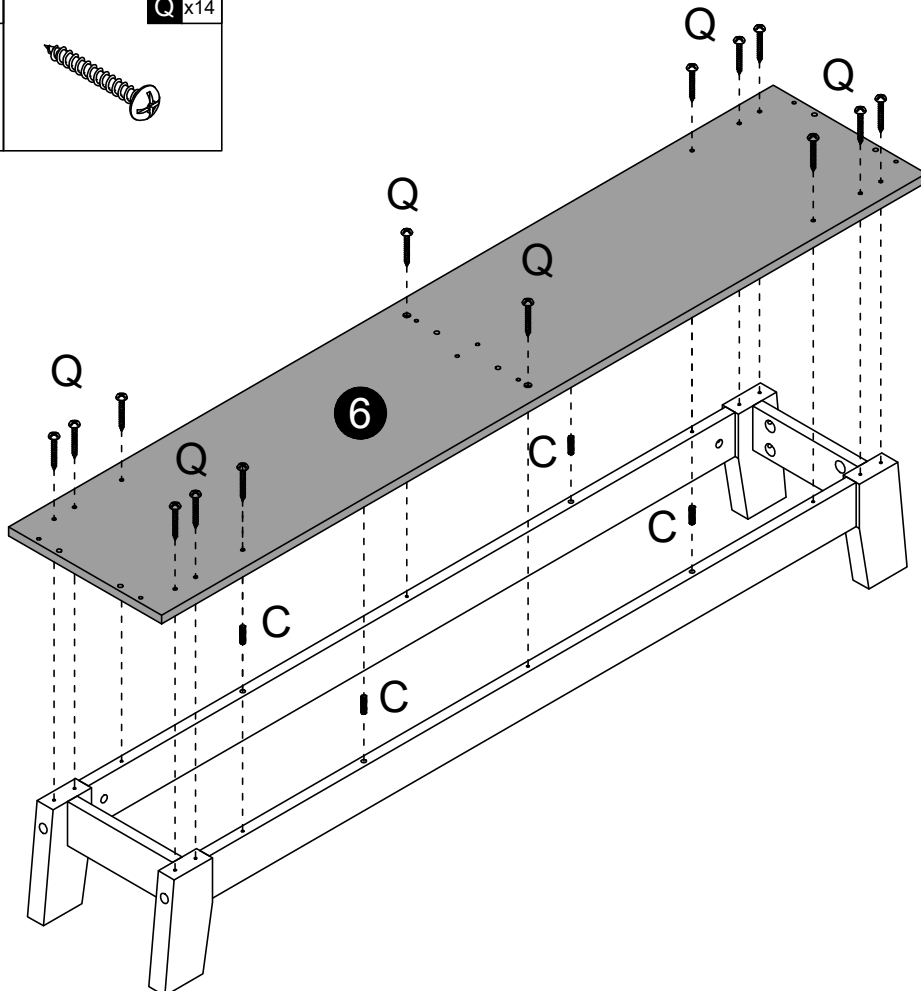
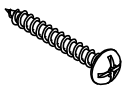
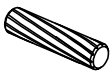
I x4

J x4



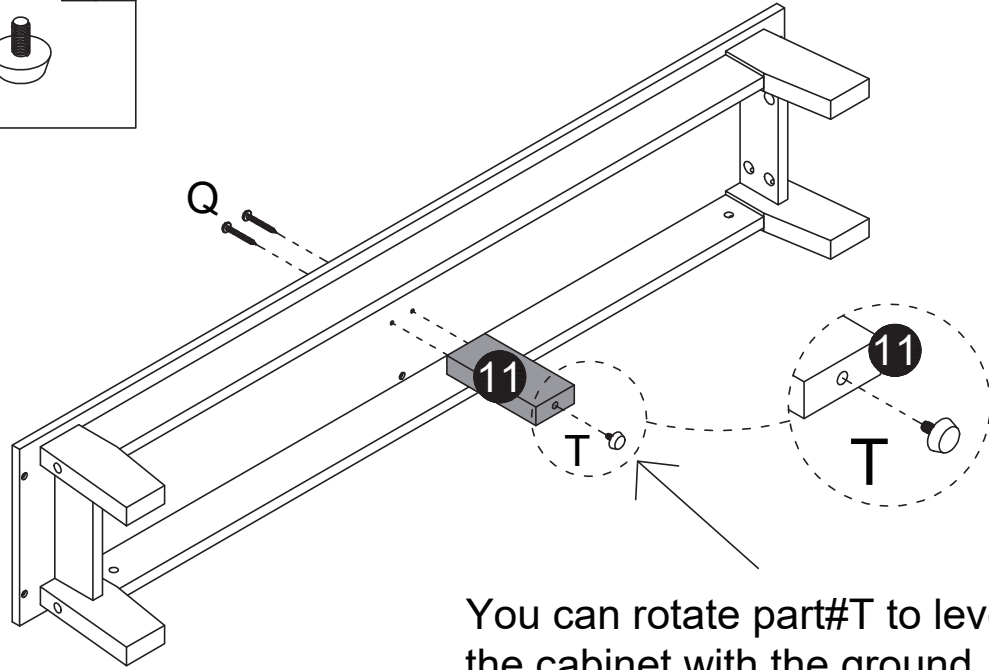
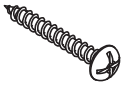
C x4

Q x14



Q x2

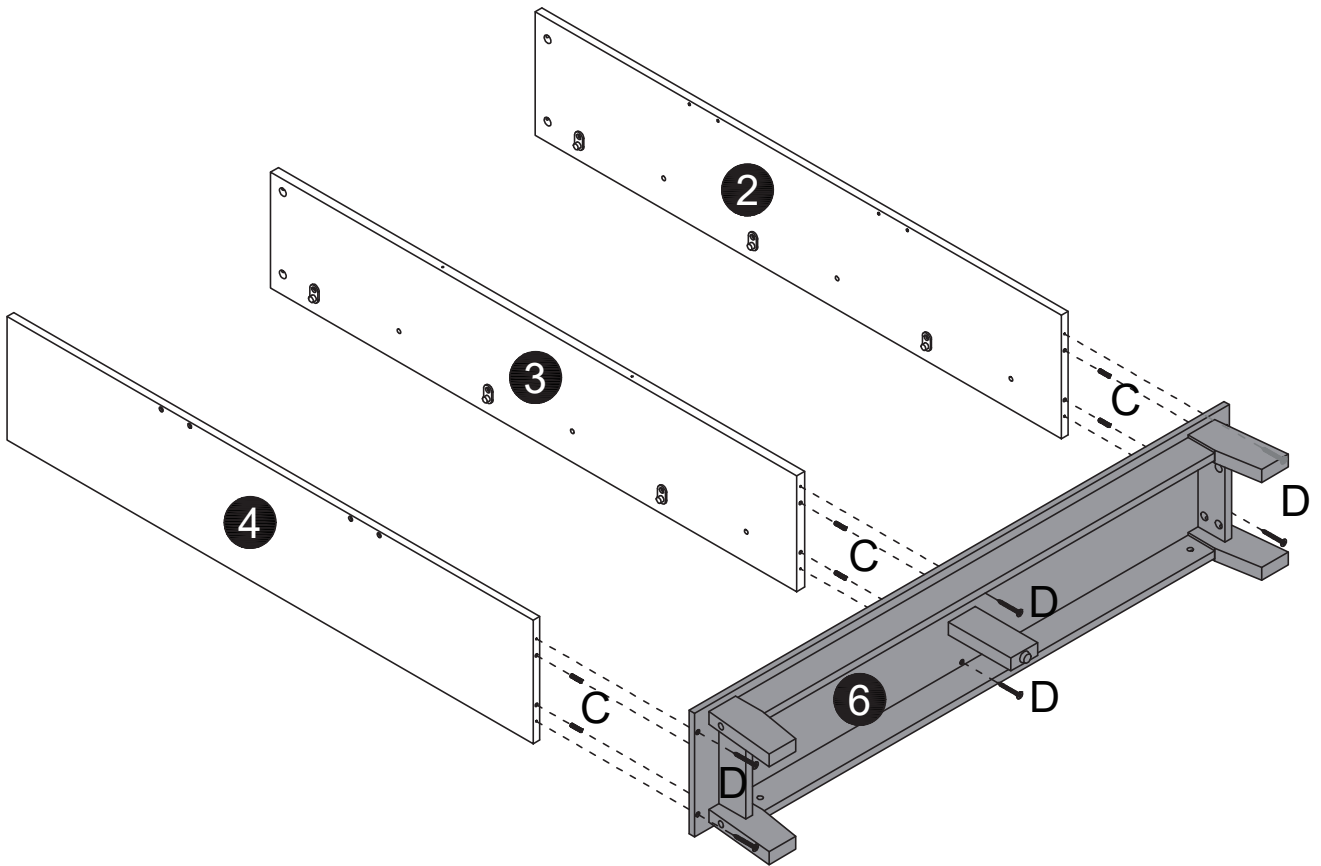
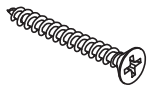
T x1



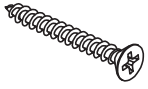
You can rotate part#T to level the cabinet with the ground.

C x6

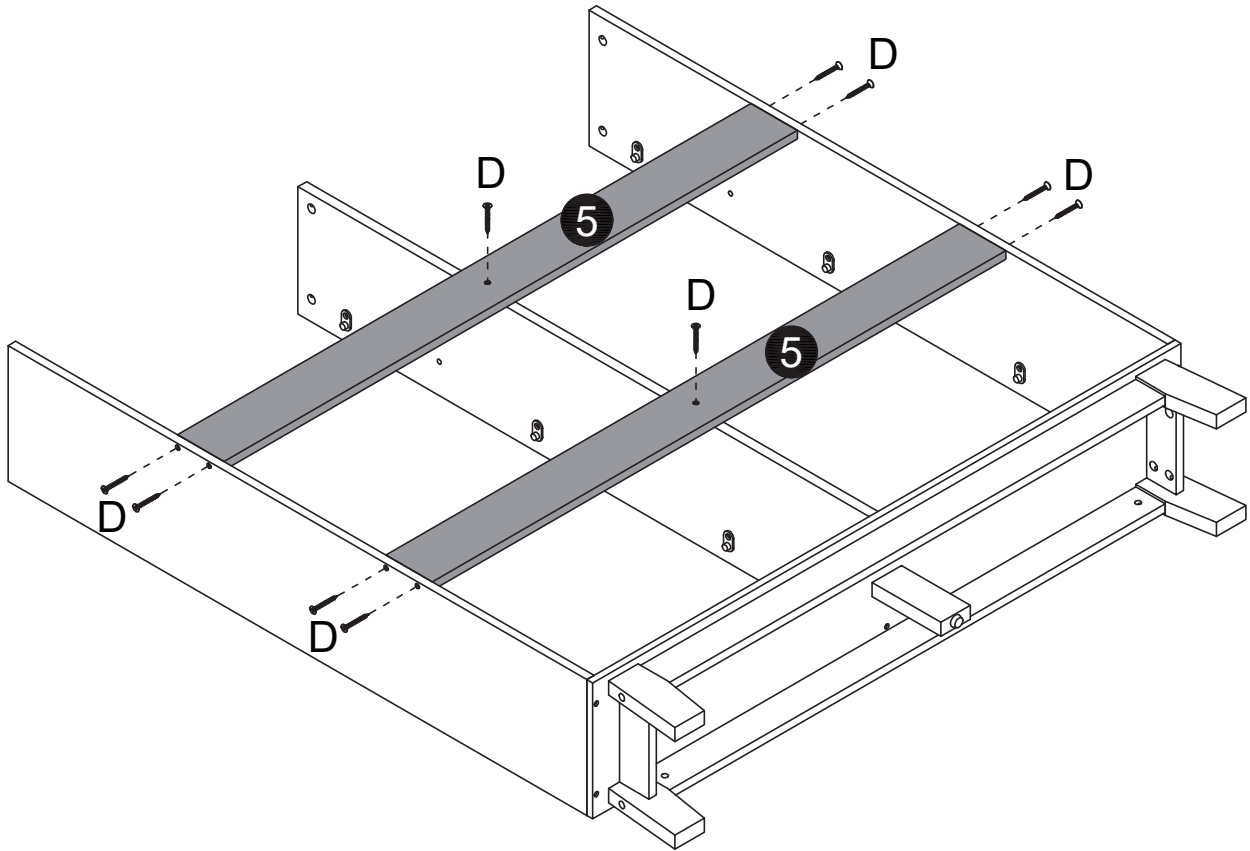
D x6



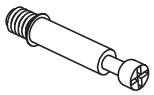
D x10



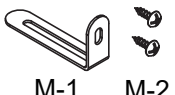
09



A x6



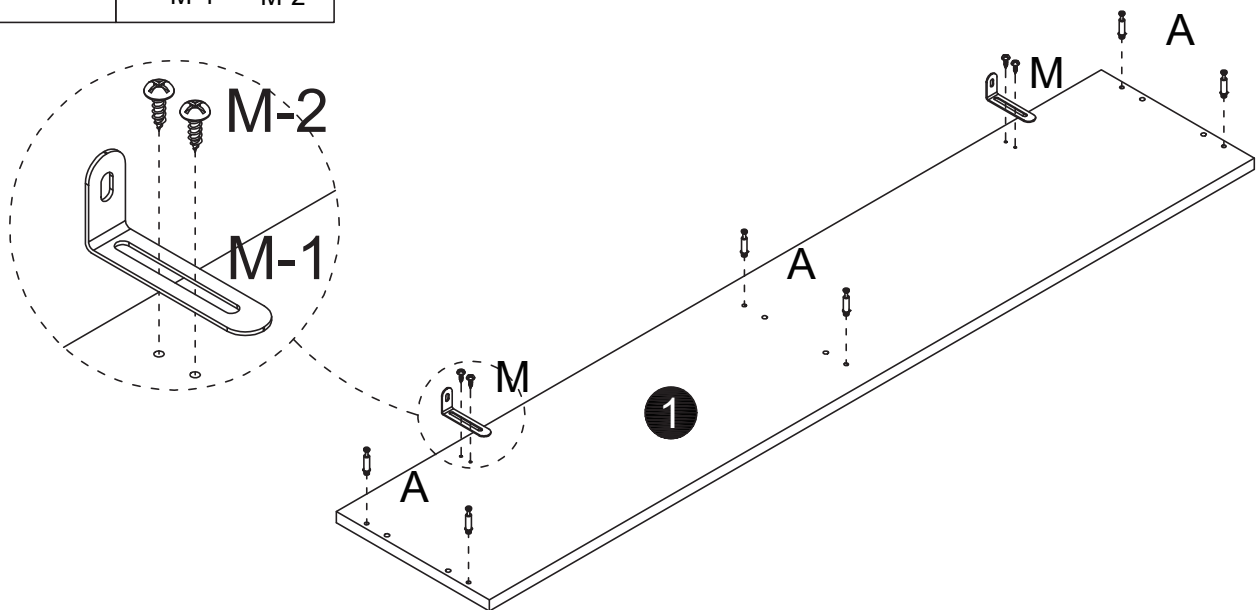
M x2



M-1

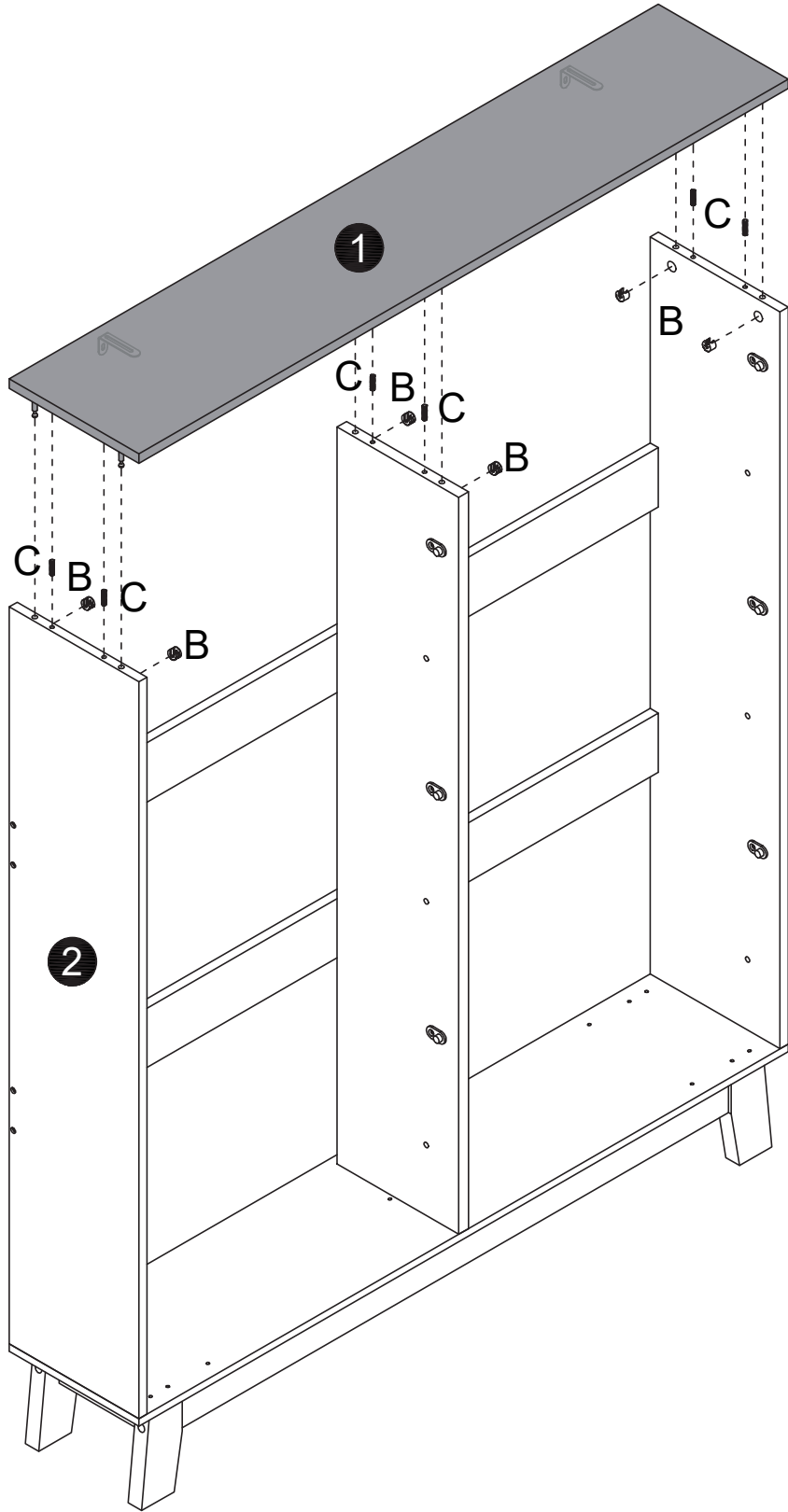
M-2

10



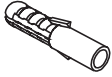
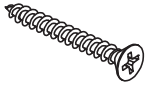
B x6

C x6

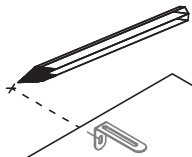


D x2

N x2



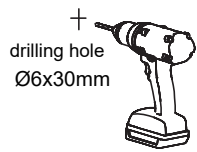
WALL



(1)x2

First, use a ruler to measure the approximate height of the product on the wall, and then mark it with a pen.

WALL

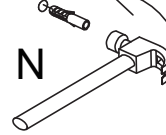


drilling hole
Ø6x30mm

(2)x2

Then use a tape drill to make holes in the wall that are suitable for the product screws.

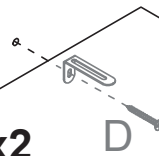
WALL



(3)x2

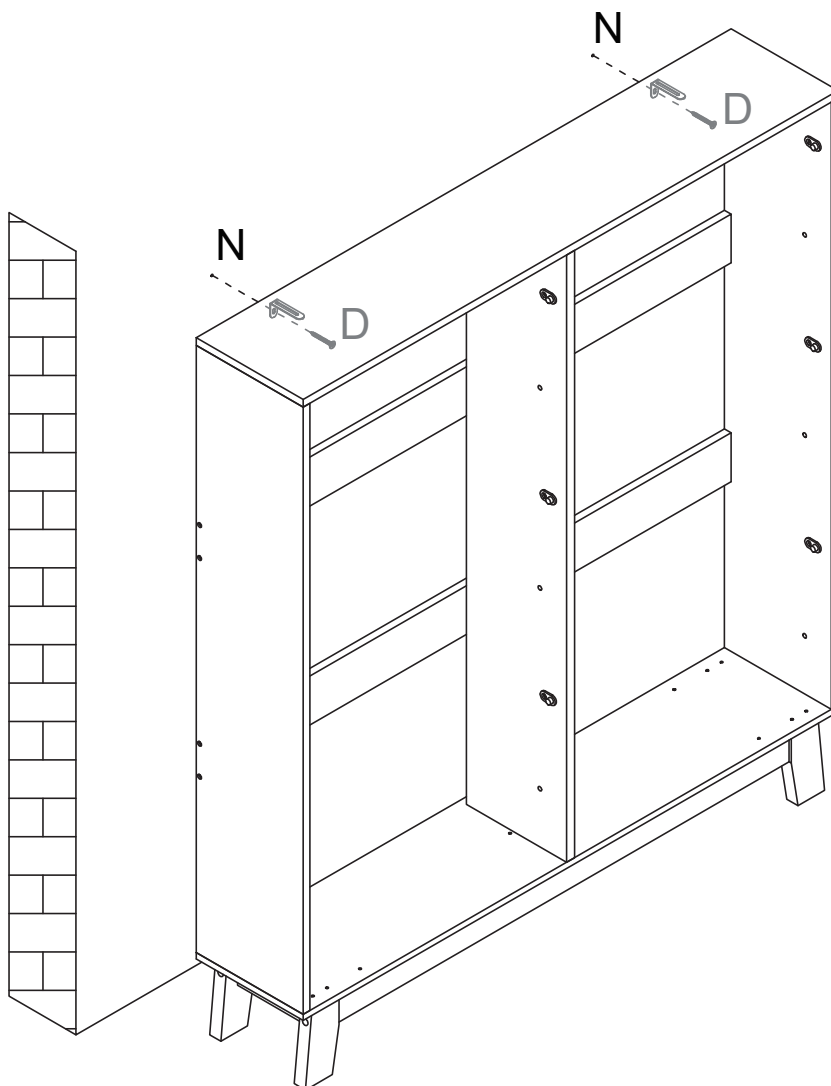
Then, put the expansion bolt into the hole

WALL



(4)x2

Finally, pass the matching screws through the "anti-rewind" and tighten them to fix them on the wall.

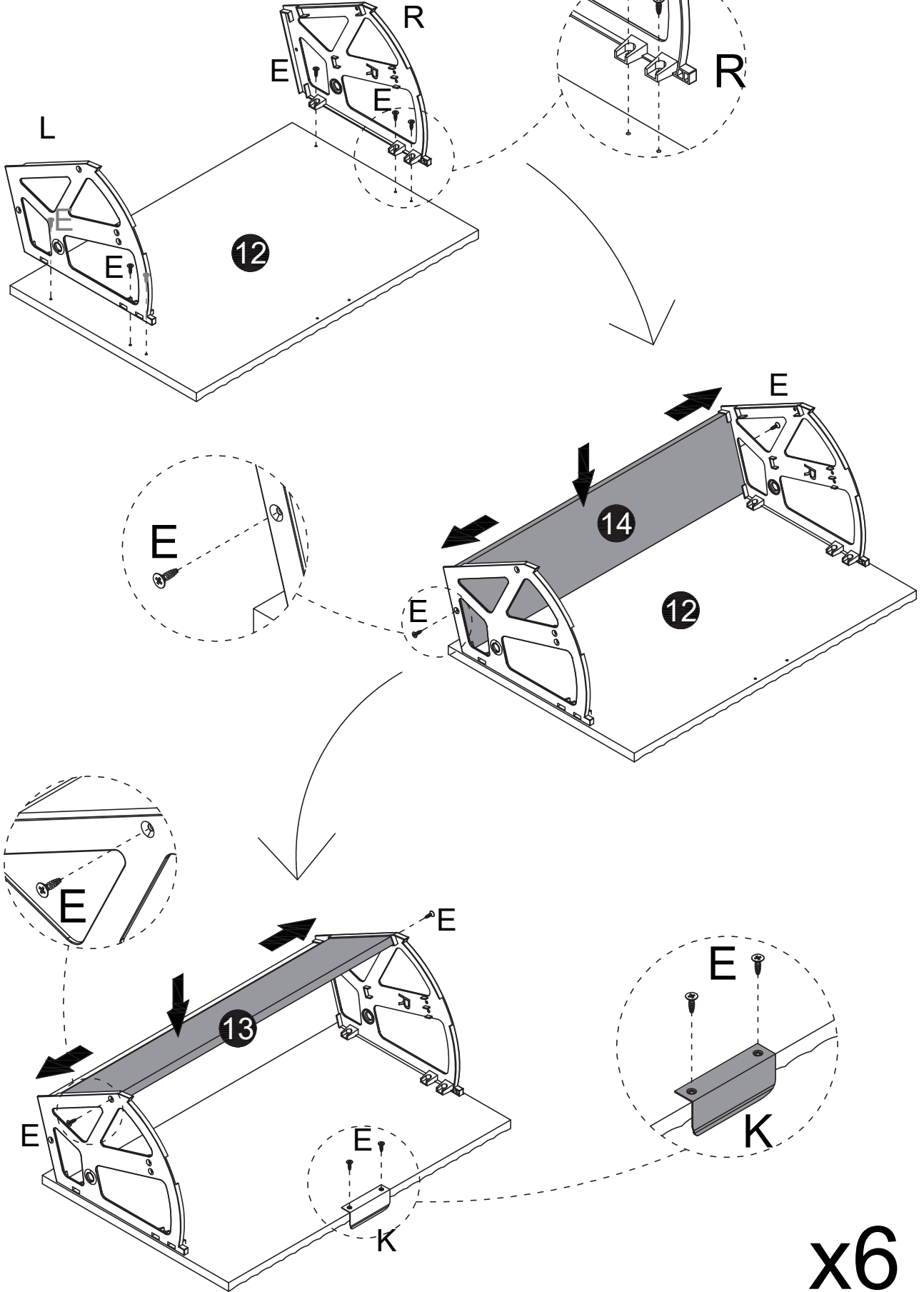


E x72

K x6

L x6

R x6

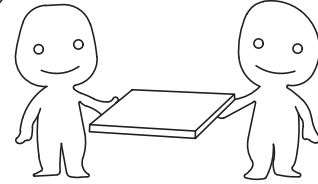
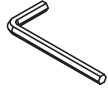


x6

G x12

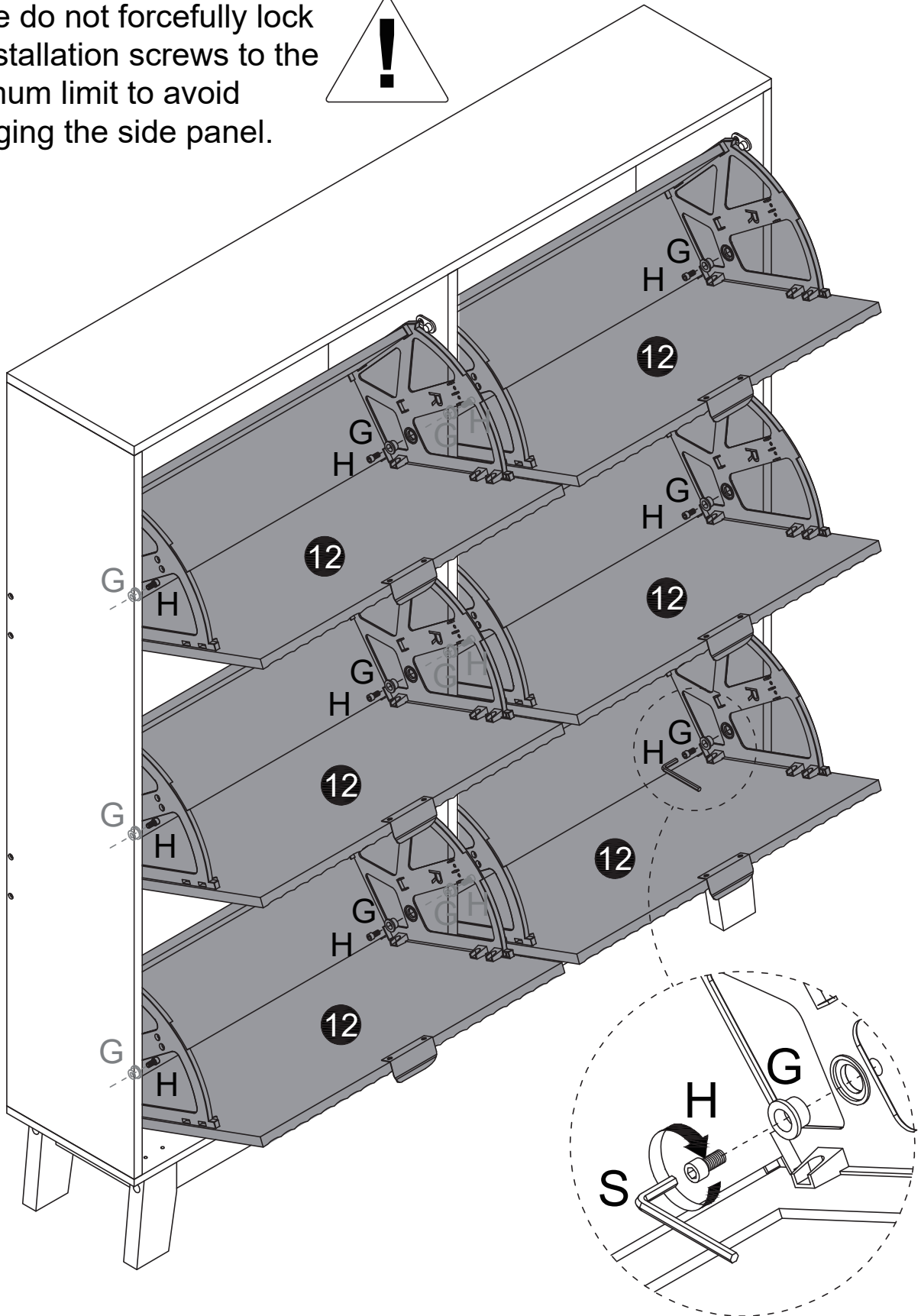
H x12

S x1

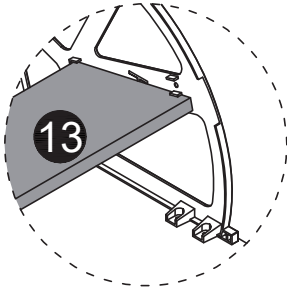


**Need Two or More
People To Complete**

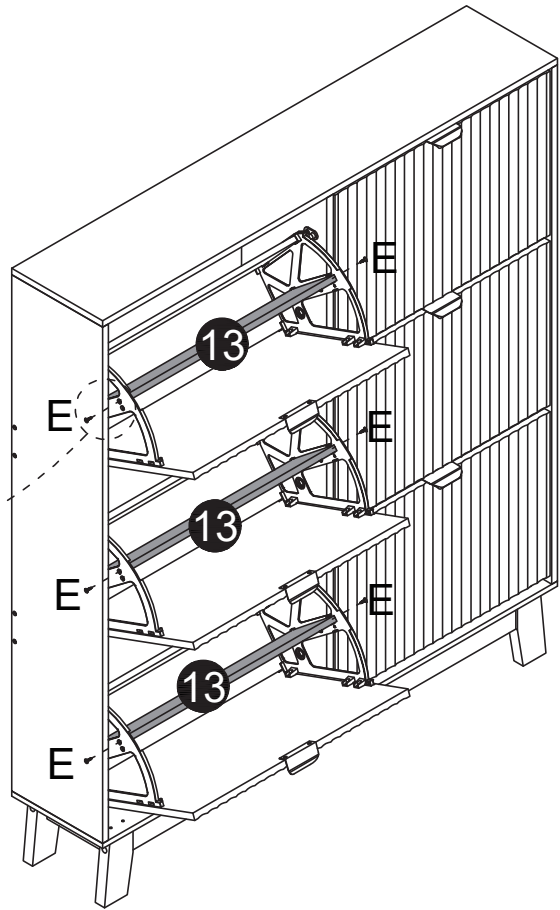
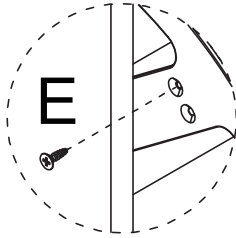
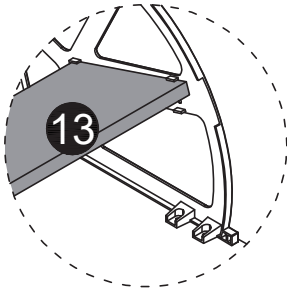
Please do not forcefully lock
the installation screws to the
maximum limit to avoid
damaging the side panel.



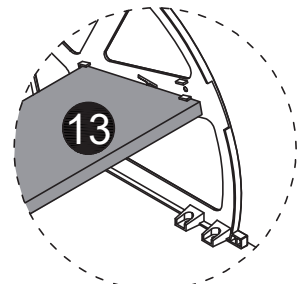
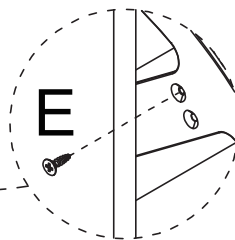
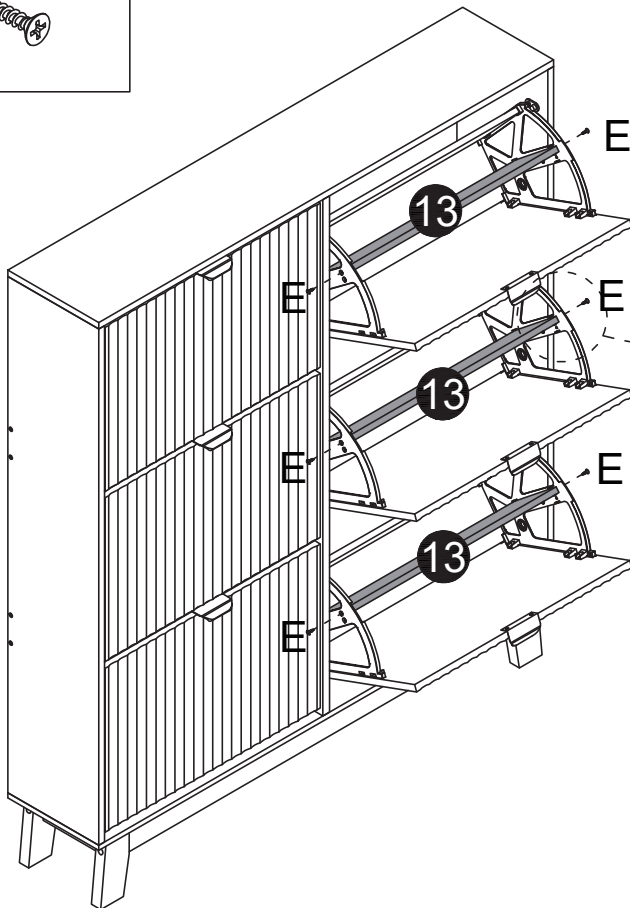
E x6



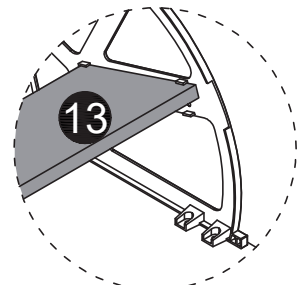
OR



E x6

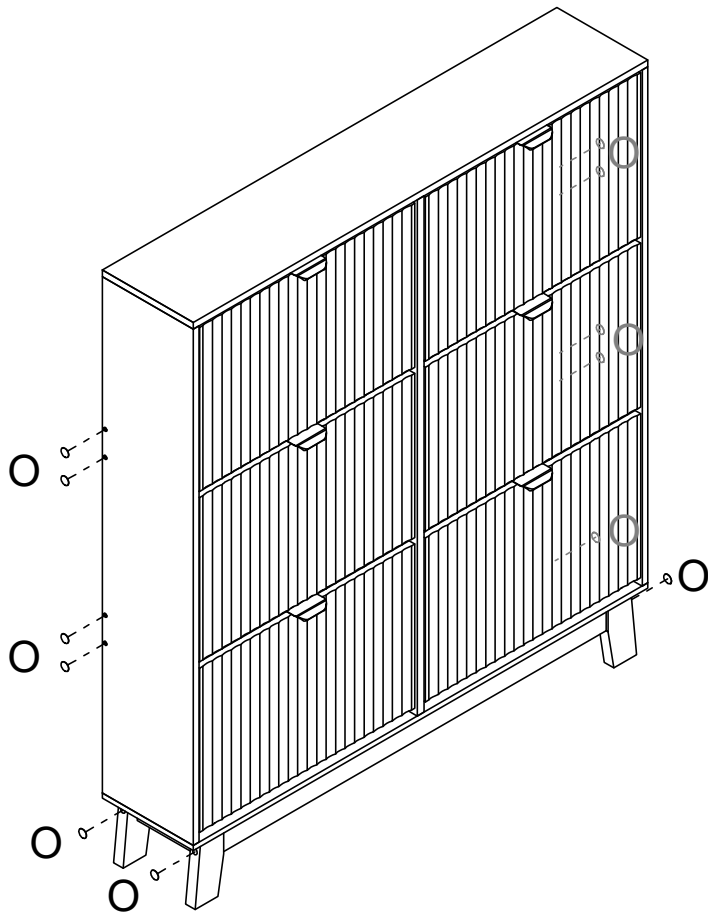


OR



○ x12

17



Done

