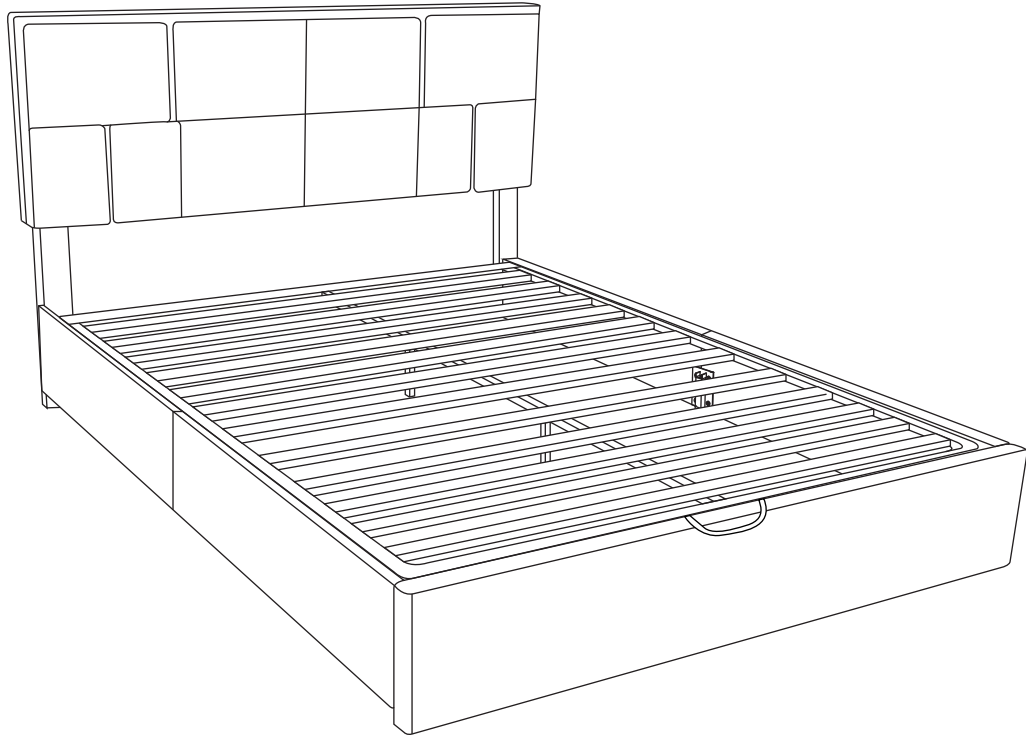


ASSEMBLY INSTRUCTIONS

INSTRUCTIONS DE MONTAGE



IMPORTANT NOTE

IMPORTANT NOTICE

**PLACE ALL PARTS ON A CLEAN AND SMOOTH SURFACE SUCH AS A RUG OR CARPET TO AVOID THE PARTS FROM BEING SCRATCHED

**BEFORE YOU BEGIN, KINDY FOLLOW THE ASSEMBLY INSTRUCTIONS STEP BY STEP

**DO NOT TIGHTEN ALL SCREWS AND BOLTS UNTIL THE BED IS FULLY SET-UP

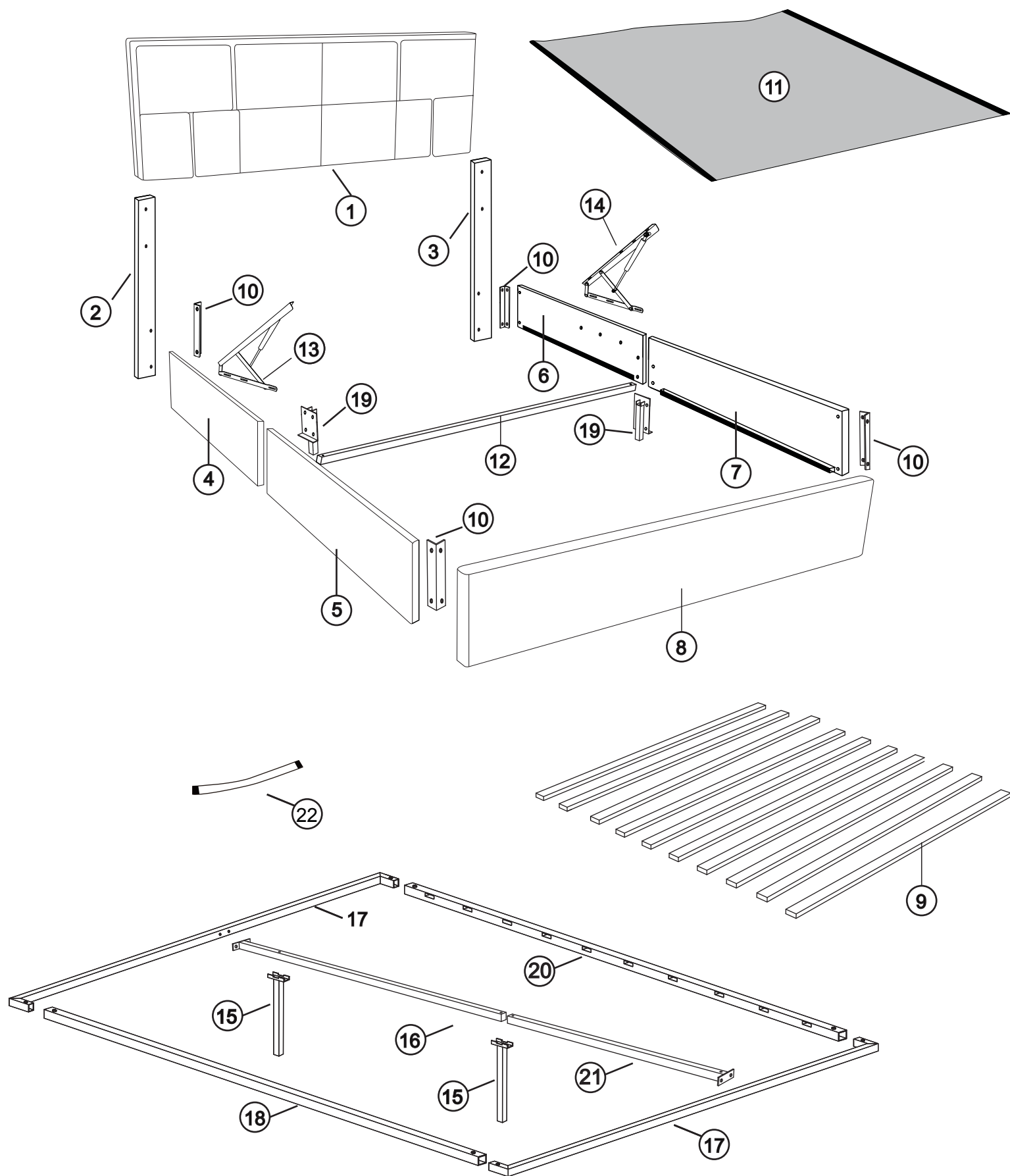
**PLACER TOUTES LES PIÈCES SUR UNE SURFACE PROPRE ET LISSE, TELLE QU'UN TAPIS OU UNE MOQUETTE, AFIN D'ÉVITER QU'ELLES NE SOIENT RAYÉES

**AVANT DE COMMENCER, VEUILLEZ SUIVRE LES INSTRUCTIONS D'ASSEMBLAGE ÉTAPE PAR ÉTAPE.

**NE SERREZ PAS TOUTES LES VIS ET TOUS LES BOULONS TANT QUE LE LIT N'EST PAS COMPLÈTEMENT INSTALLÉ.

ASSEMBLY INSTRUCTIONS

INSTRUCTIONS DE MONTAGE




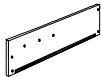

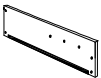


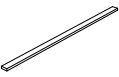


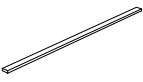












ASSEMBLY INSTRUCTIONS




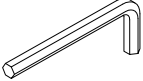
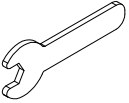
INSTRUCTIONS DE MONTAGE

PARTS IDENTIFICATION

IDENTIFICATION DES PIÈCES

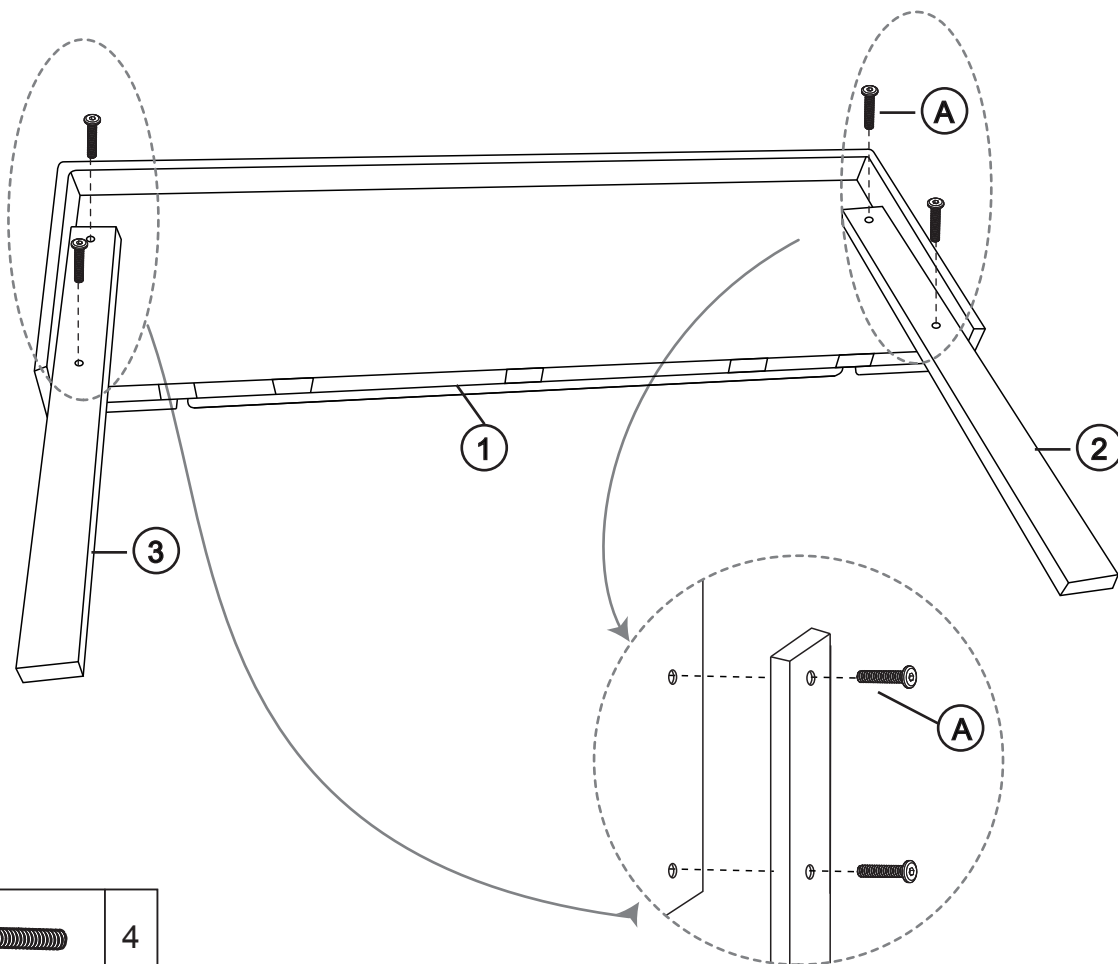
| | | | | | | | |
|----|---------------------------------|---|-------|----|-----------------------------------|---|------|
| 1 | Headboard Tête de lit |  | 1pc | 2 | Post Poste |  | 1pc |
| 3 | Post Poste |  | 1pc | 4 | Side Panel Panneau latéral |  | 1pc |
| 5 | Side Panel Panneau latéral |  | 1pc | 6 | Side Panel Panneau latéral |  | 1pc |
| 7 | Side Panel Panneau latéral |  | 1pc | 8 | Footboard Pied de lit |  | 1pc |
| 9 | SLAT SLAT |  | 10pcs | 10 | Bracket Support |  | 4pcs |
| 11 | Base cloth Tissu de Base |  | 1pc | 12 | Center rail Rail central |  | 1pc |
| 13 | Tripod Trépied |  | 1pc | 14 | Tripod Trépied |  | 1pc |
| 15 | Support Leg Jambe de support |  | 2pcs | 16 | Center rail Rail central |  | 1pc |
| 17 | Center rail Rail central |  | 2pcs | 18 | Center rail Rail central |  | 1pc |
| 19 | Support Leg Jambe de support |  | 2pcs | 20 | Center rail Rail central |  | 1pc |
| 21 | Center rail Rail central |  | 1pc | 22 | Pull the strap Tirez la sangle |  | 1pc |


HARDWARE

| | | | | | | | |
|---|---------------------------|---|-------|---|-----------------------------------|---|-------|
| A | Bolt Boulon (Ø10mm) |  | 19pcs | B | Bolt Boulon (Ø8X20mm) |  | 34pcs |
| C | Bolt Boulon (M8) |  | 4pcs | D | Allen Wrench Clé Allen (M8) |  | 1pc |
| E | Allen Wrench Clé Allen |  | 1pc | | | | |

ASSEMBLY INSTRUCTIONS INSTRUCTIONS DE MONTAGE

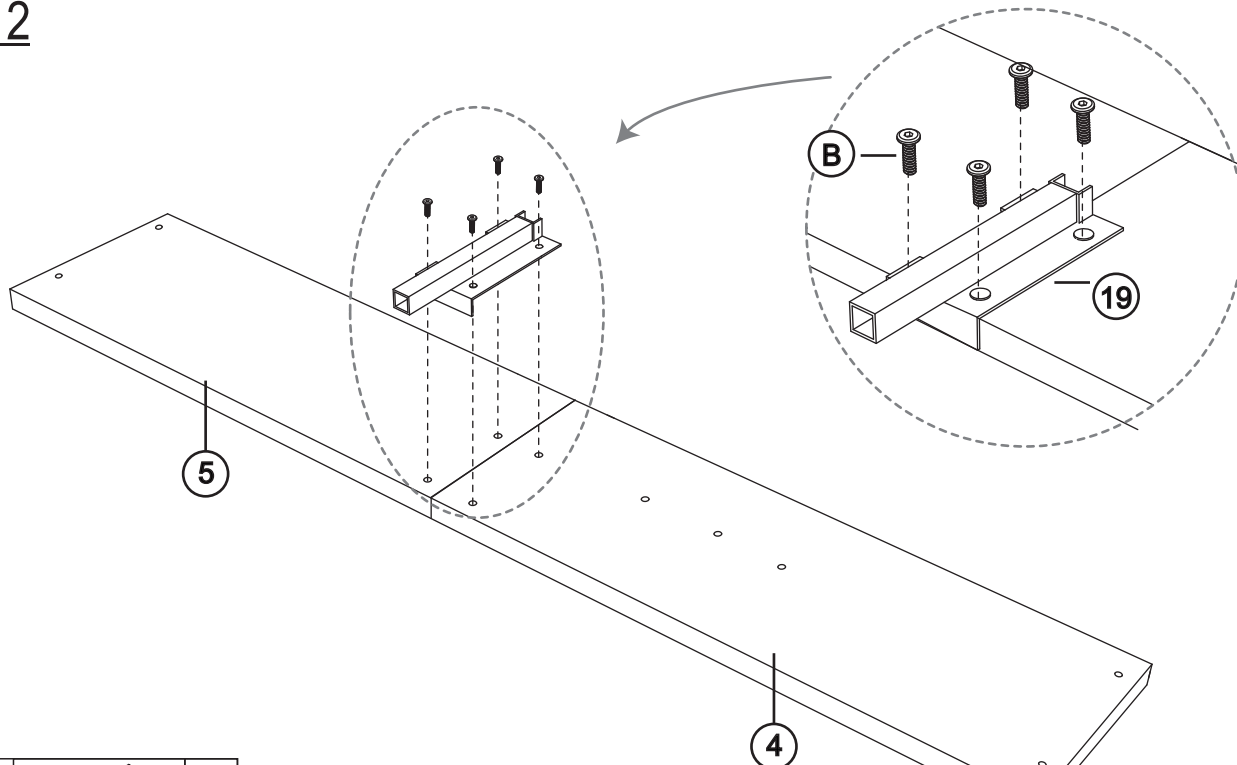
STEP 1 ÉTAPE 1

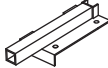



| | | | |
|---|------------------------------|---|---|
| A | Bolt Boulon (Ø 8X40mm) |  | 4 |
|---|------------------------------|---|---|

STEP 2 ÉTAPE 2

Left

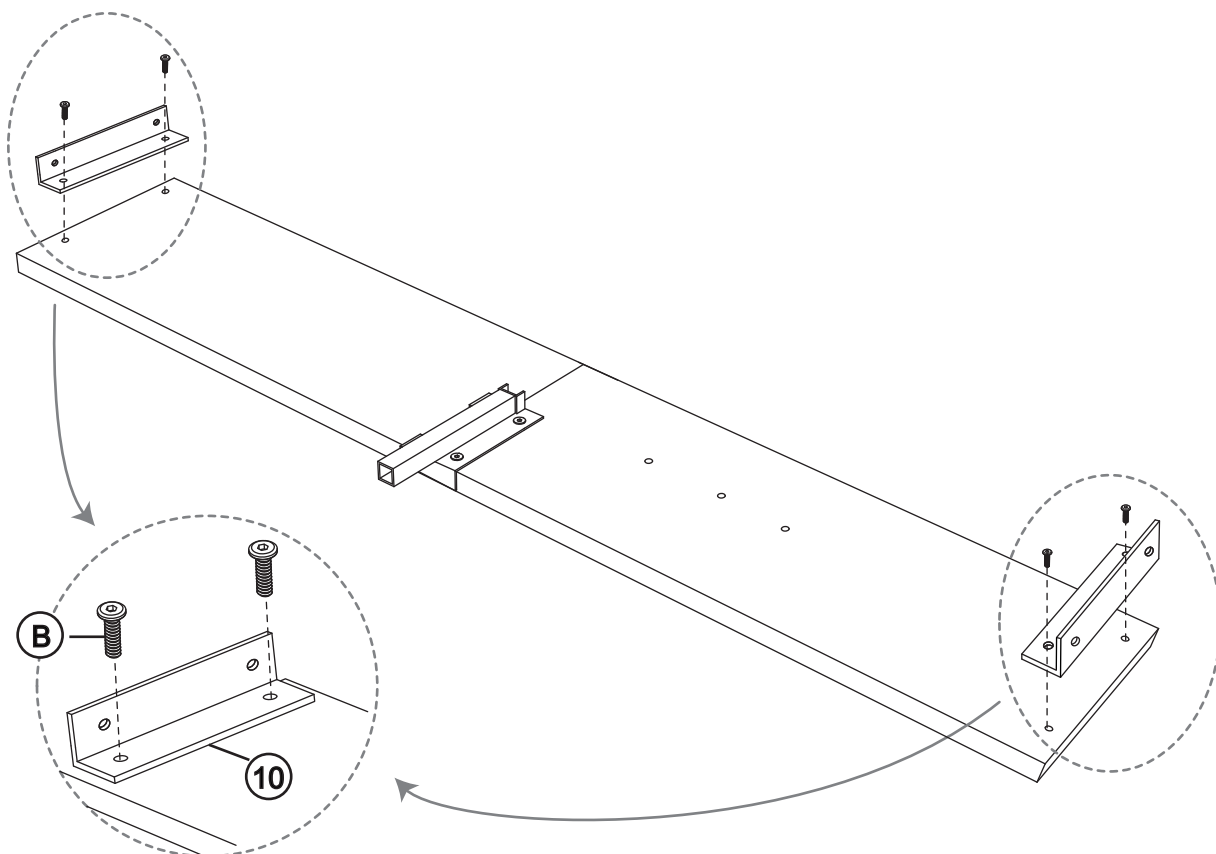


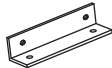

| | | | |
|----|------------------------------|---|---|
| 19 | Bracket Support |  | 1 |
| B | Bolt Boulon (Ø 8X20mm) |  | 4 |

ASSEMBLY INSTRUCTIONS INSTRUCTIONS DE MONTAGE

STEP 3 ÉTAPE 3

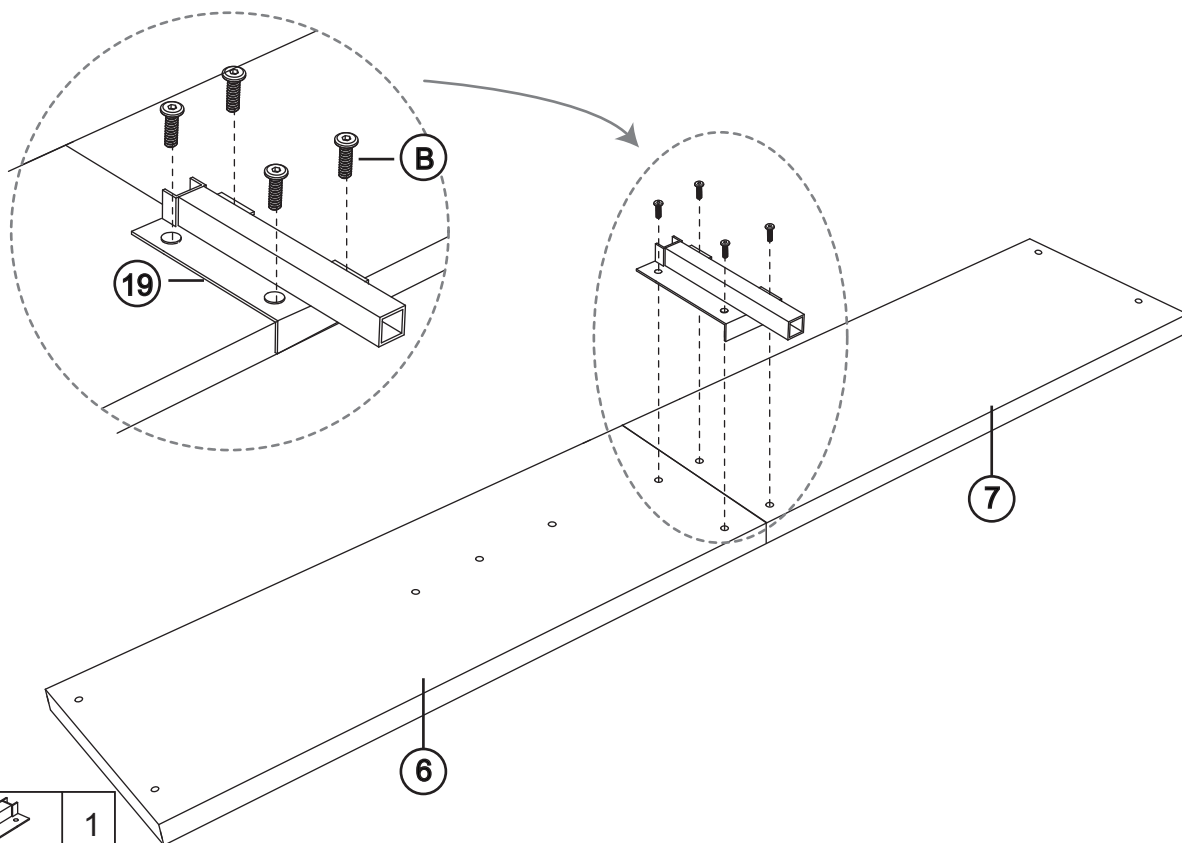
Left





| | | | | | | | |
|----|-----------------|---|---|---|------------------------|---|---|
| 10 | Bracket Support |  | 2 | B | Bolt Boulon (Ø 8X20mm) |  | 4 |
|----|-----------------|---|---|---|------------------------|---|---|

STEP 4 ÉTAPE 4

Right

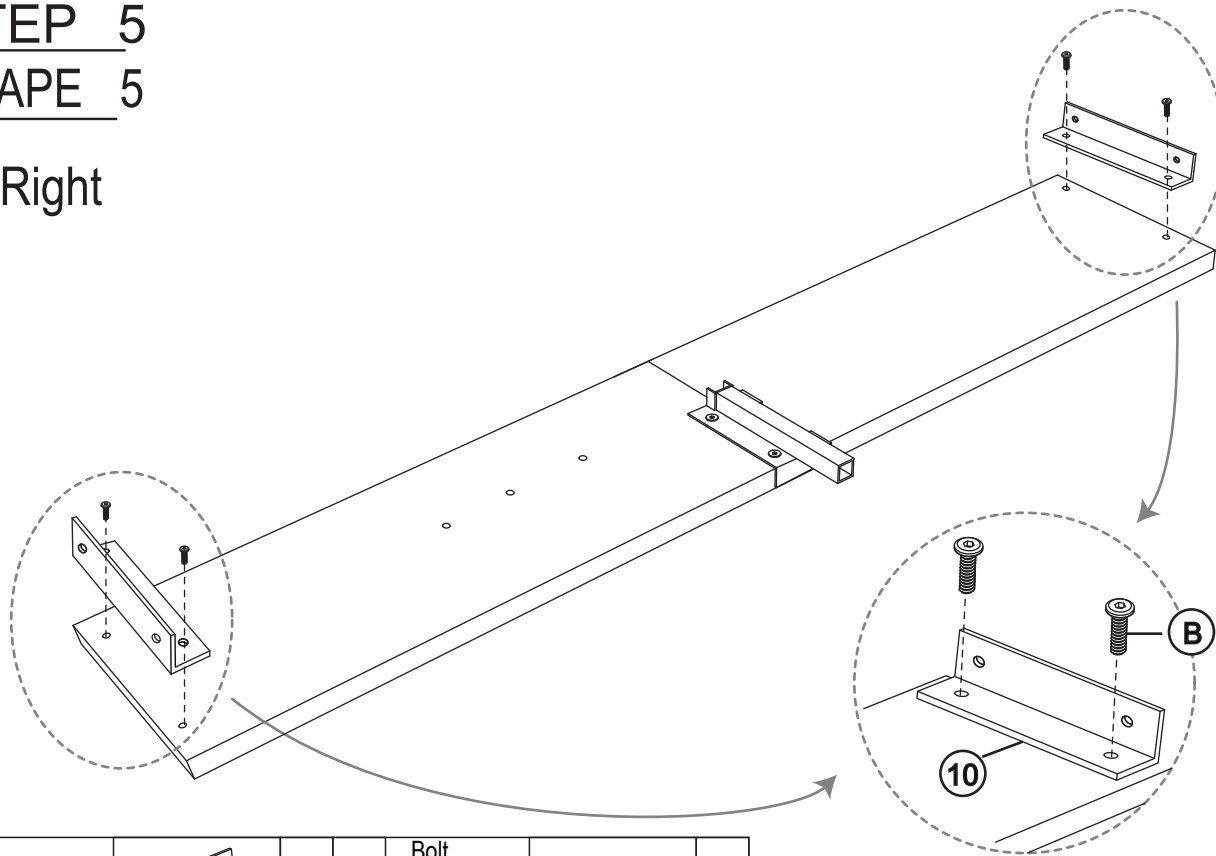


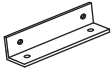

| | | | |
|----|------------------------|---|---|
| 19 | Bracket Support |  | 1 |
| B | Bolt Boulon (Ø 8X20mm) |  | 4 |

ASSEMBLY INSTRUCTIONS INSTRUCTIONS DE MONTAGE

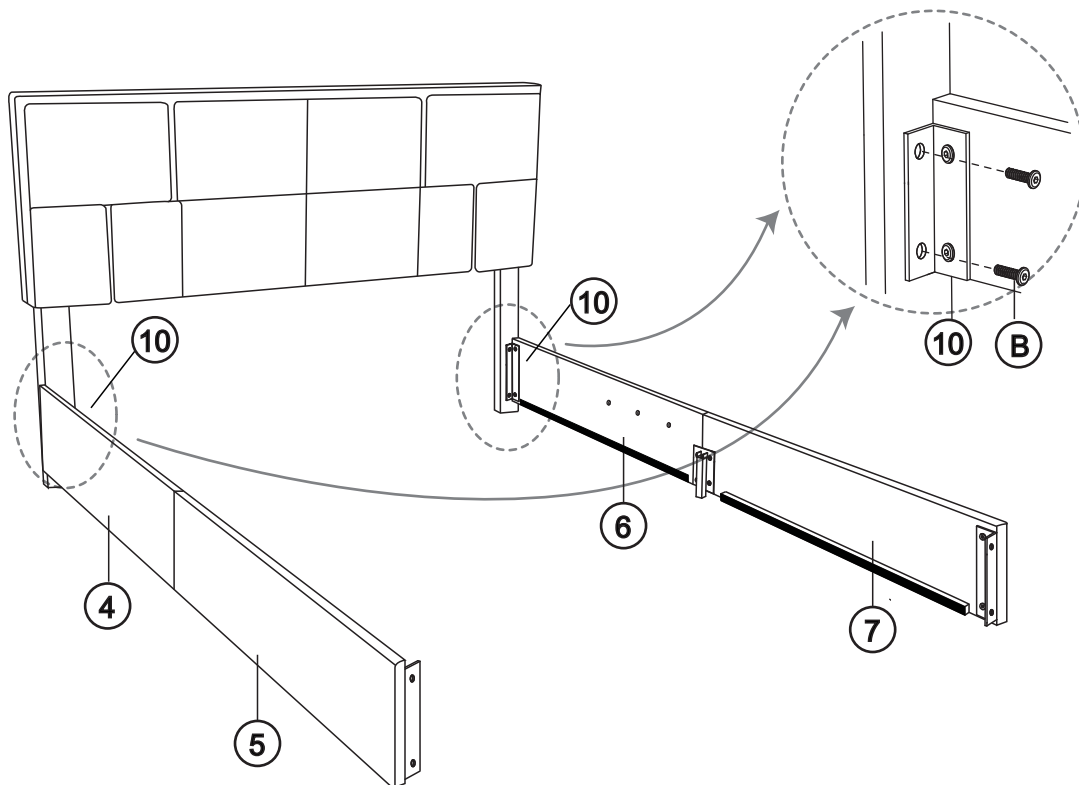
STEP 5 ÉTAPE 5


Right



| | | | | | | | |
|----|-----------------|---|---|---|------------------------------|---|---|
| 10 | Bracket Support |  | 2 | B | Bolt Boulon (Ø 8X20mm) |  | 4 |
|----|-----------------|---|---|---|------------------------------|---|---|

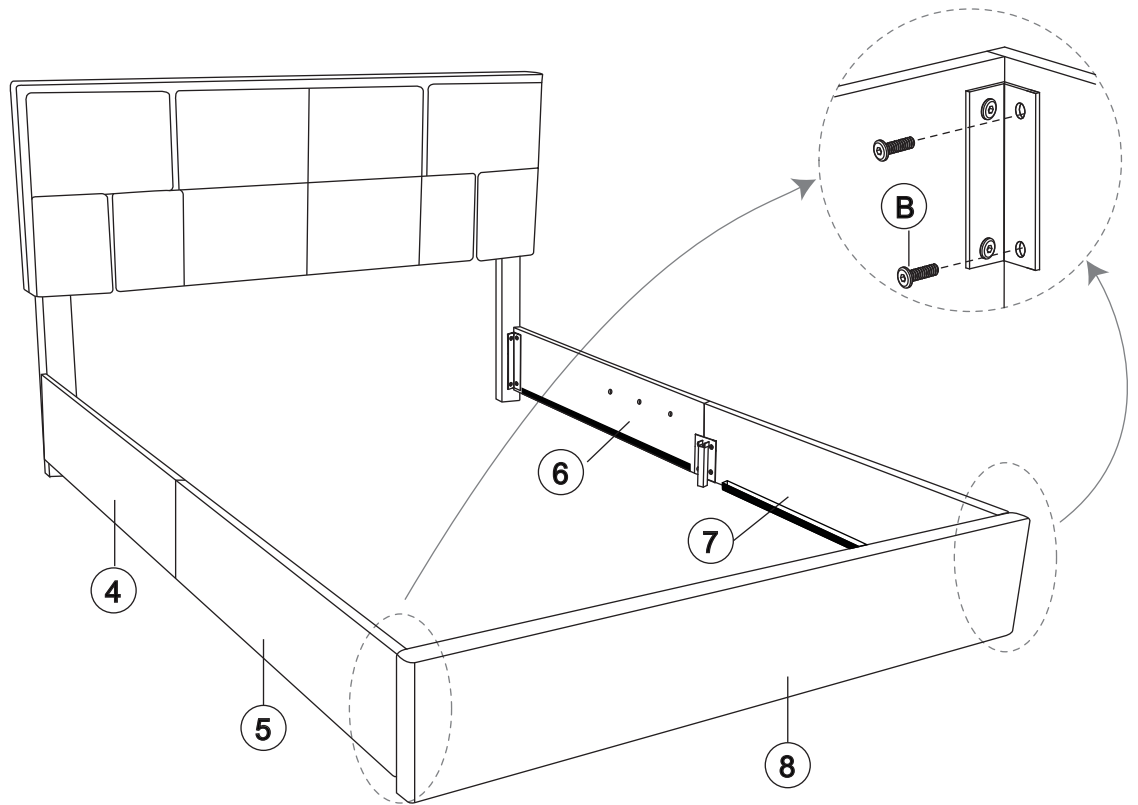
STEP 6 ÉTAPE 6



| | | | |
|---|------------------------------|---|---|
| B | Bolt Boulon (Ø 8X20mm) |  | 4 |
|---|------------------------------|---|---|

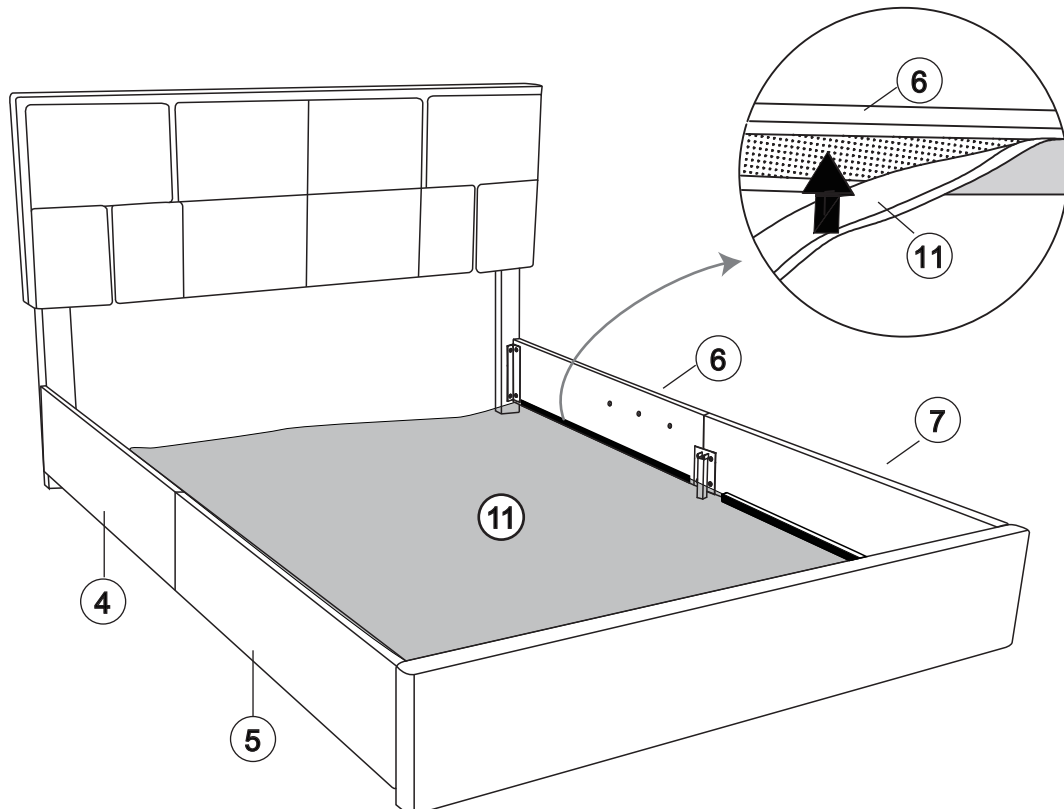
ASSEMBLY INSTRUCTIONS INSTRUCTIONS DE MONTAGE

STEP 7 ÉTAPE 7



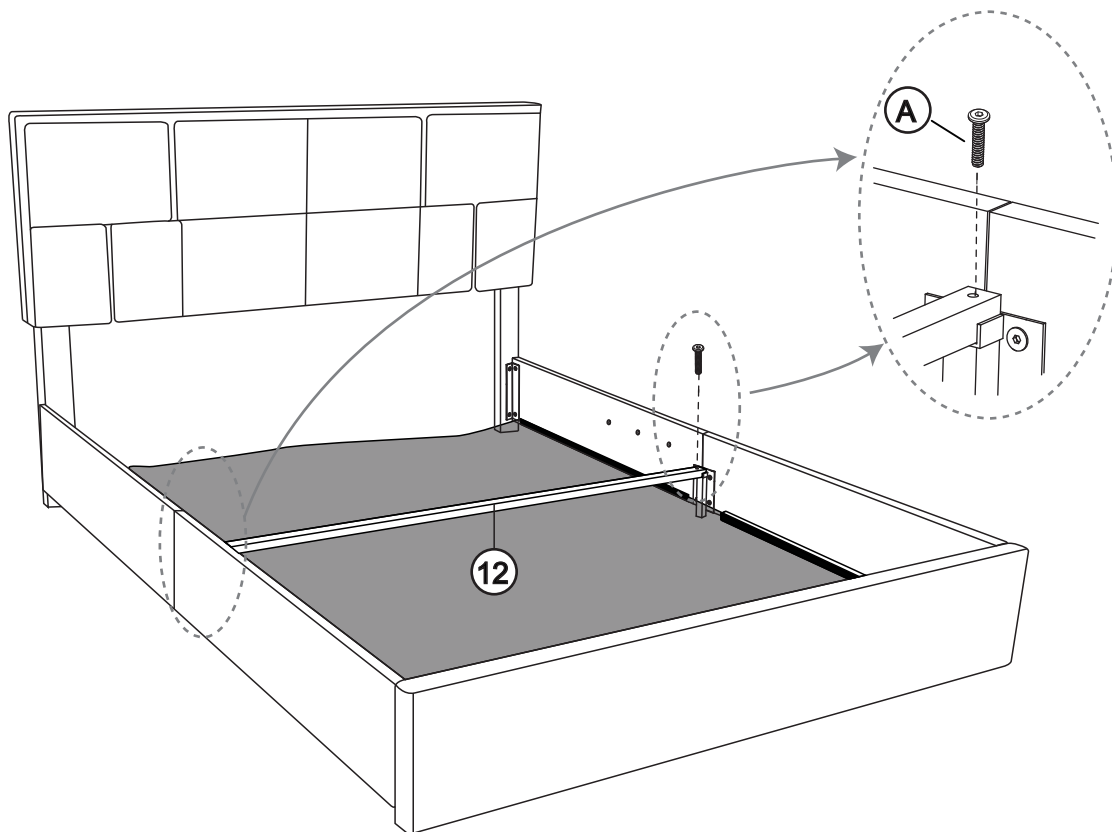
| | | | |
|---|------------------------------|---|---|
| B | Bolt Boulon (Ø 8X20mm) |  | 4 |
|---|------------------------------|---|---|

STEP 8 ÉTAPE 8



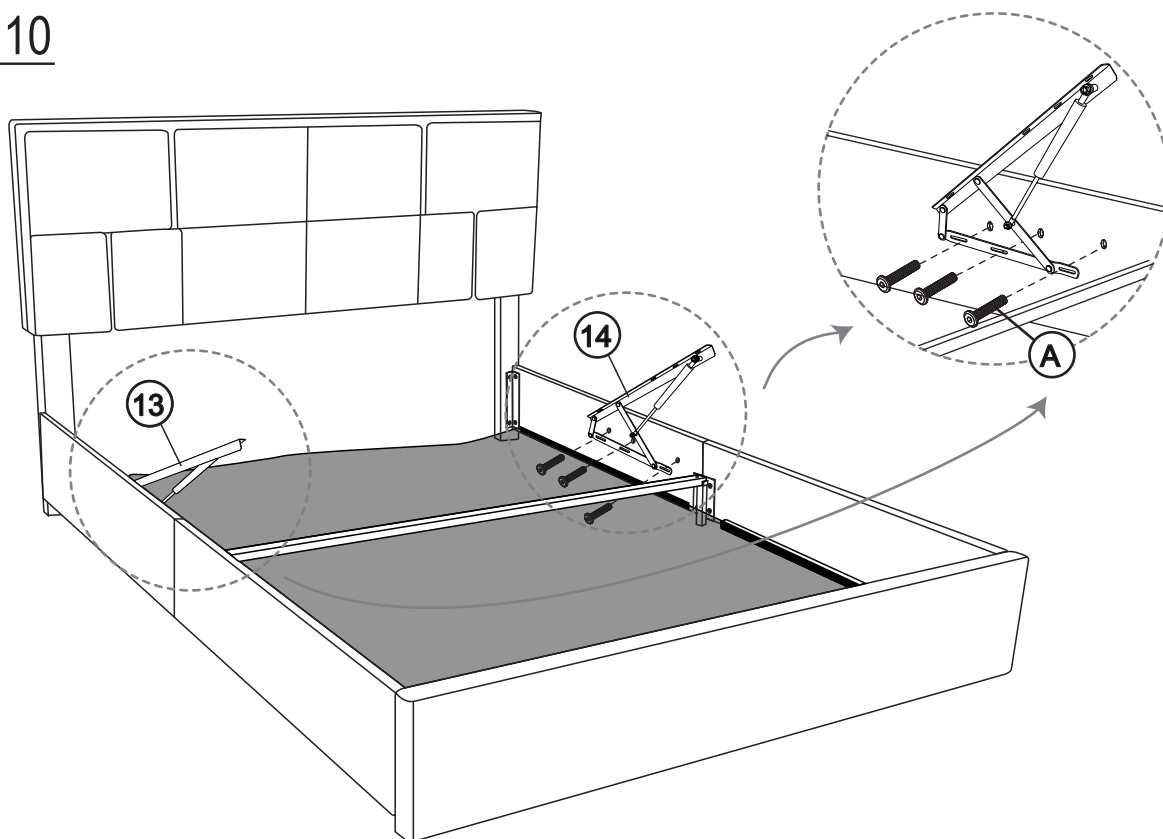
ASSEMBLY INSTRUCTIONS INSTRUCTIONS DE MONTAGE


STEP 9 ÉTAPE 9



| | | | |
|---|---|---|---|
| A | Bolt Boulon ($\varnothing 8 \times 40 \text{mm}$) |  | 2 |
|---|---|---|---|

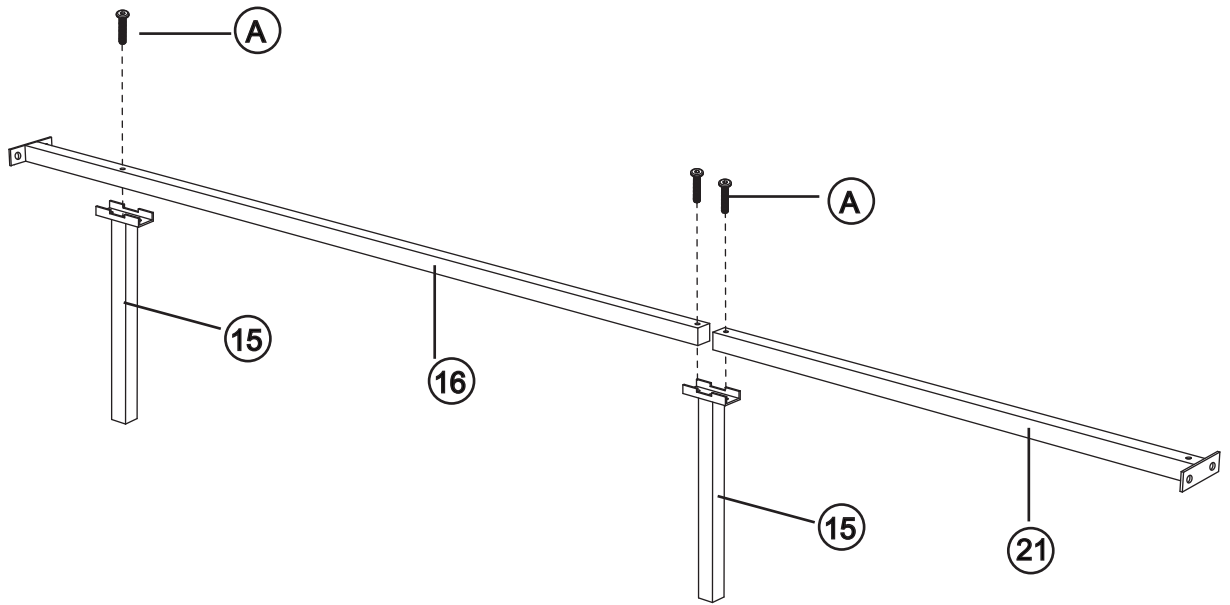
STEP 10 ÉTAPE 10




| | | | |
|---|---|---|---|
| A | Bolt Boulon ($\varnothing 8 \times 40 \text{mm}$) |  | 6 |
|---|---|---|---|

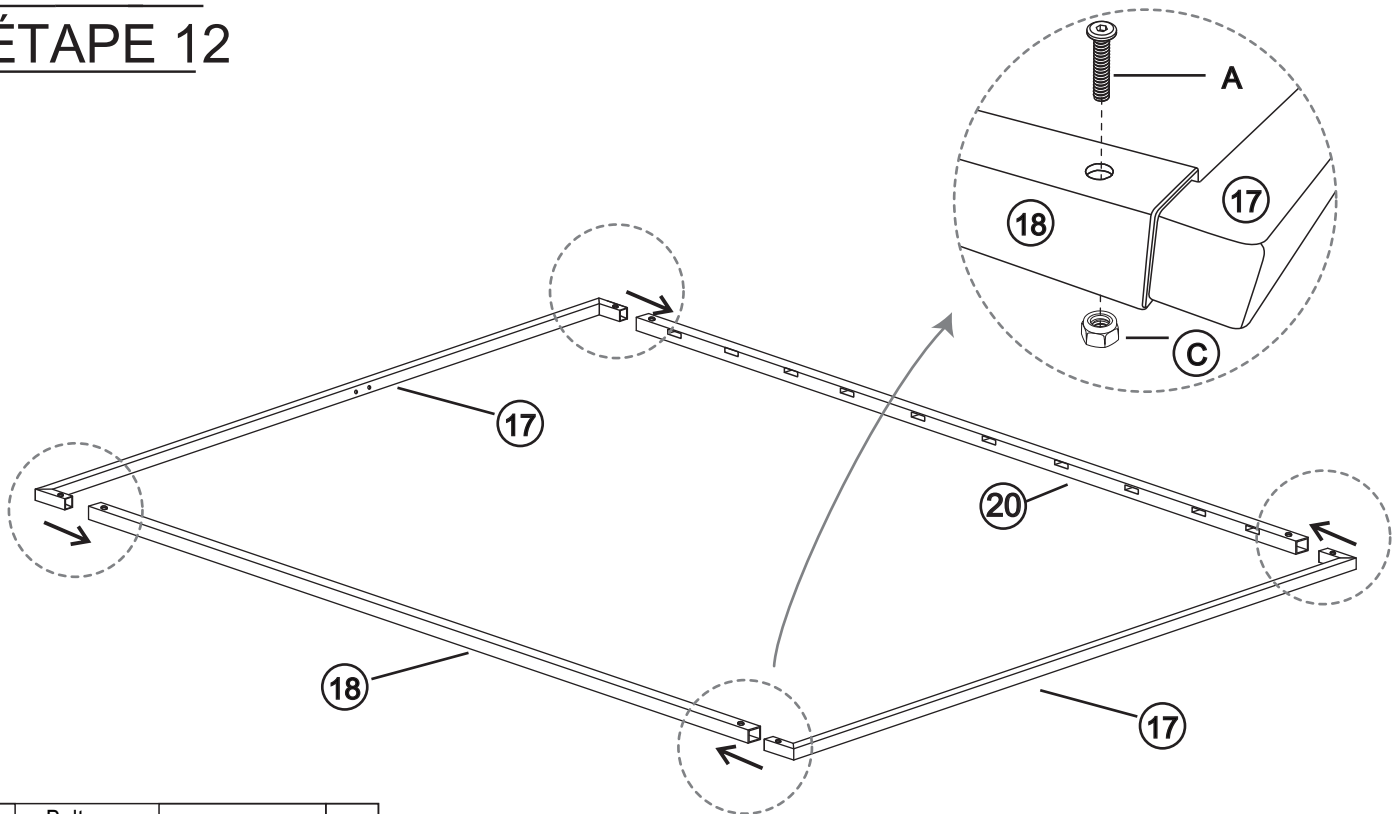
ASSEMBLY INSTRUCTIONS INSTRUCTIONS DE MONTAGE



STEP 11 ÉTAPE 11



| | | | |
|---|---|---|---|
| A | Bolt Boulon ($\varnothing 8 \times 40 \text{mm}$) |  | 3 |
|---|---|---|---|

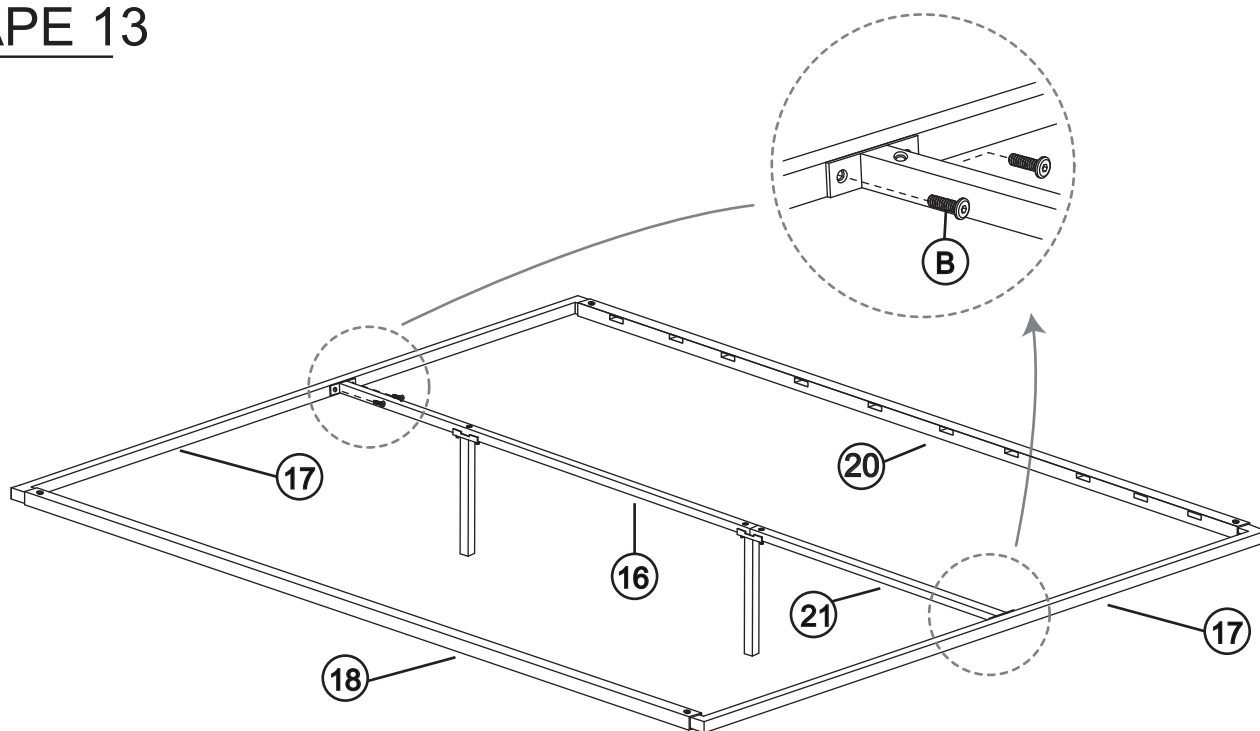
STEP 12 ÉTAPE 12




| | | | |
|---|---|---|---|
| A | Bolt Boulon ($\varnothing 8 \times 40 \text{mm}$) |  | 4 |
| C | Bolt Boulon (M8) |  | 4 |

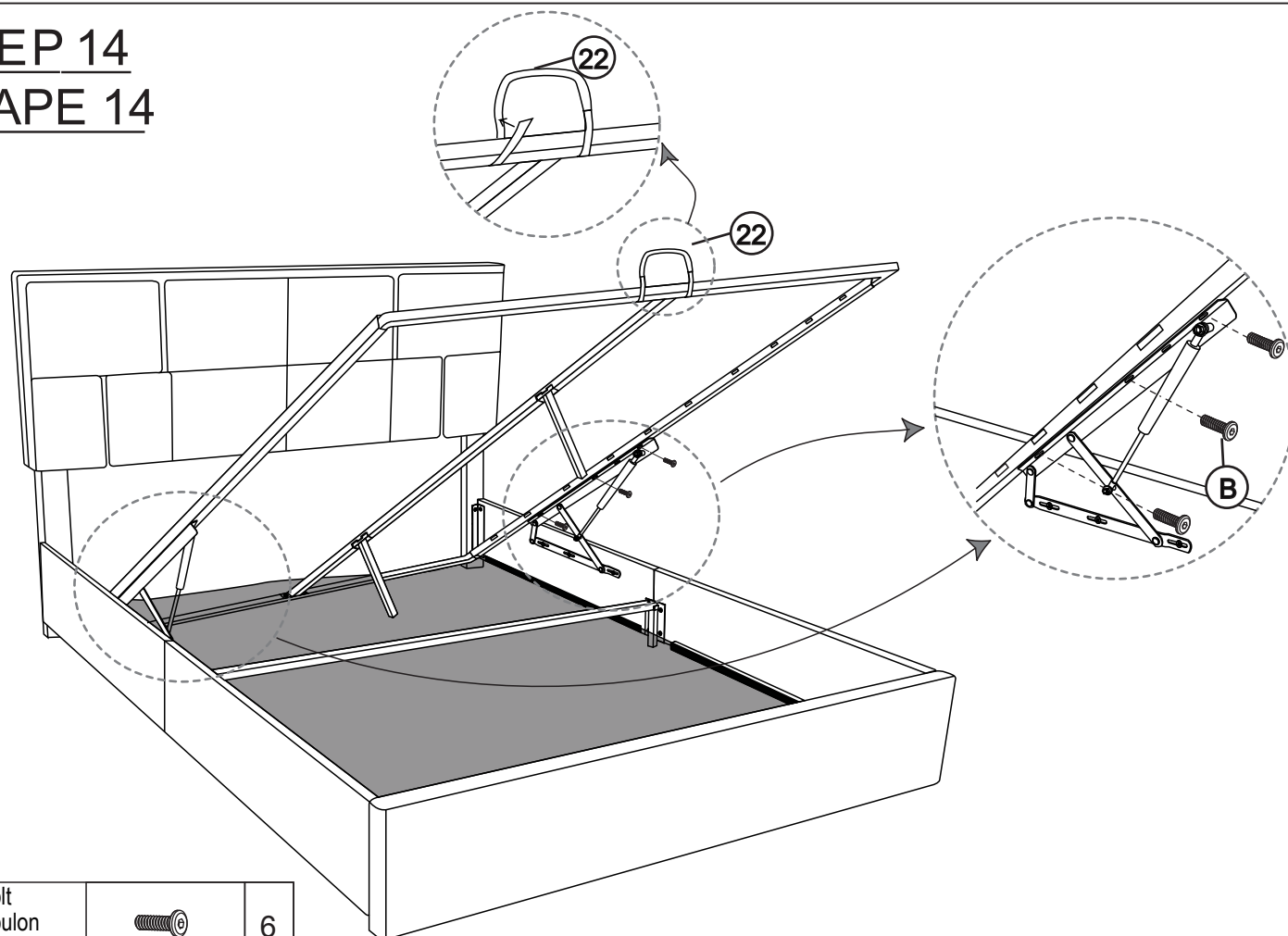
ASSEMBLY INSTRUCTIONS INSTRUCTIONS DE MONTAGE


STEP 13 ÉTAPE 13



| | | | |
|---|------------------------------|---|---|
| B | Bolt Boulon (Ø 8X20mm) |  | 4 |
|---|------------------------------|---|---|

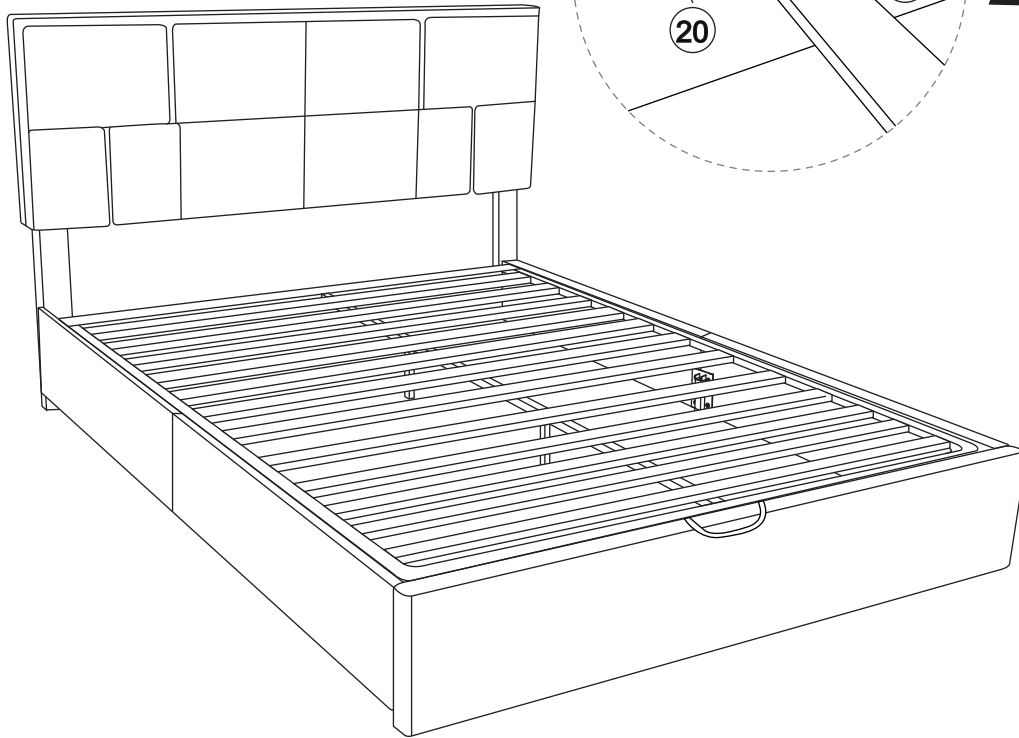
STEP 14 ÉTAPE 14



| | | | |
|---|------------------------------|---|---|
| B | Bolt Boulon (Ø 8X20mm) |  | 6 |
|---|------------------------------|---|---|

ASSEMBLY INSTRUCTIONS INSTRUCTIONS DE MONTAGE

STEP 15 ÉTAPE 15



STEP 16 ÉTAPE 16

