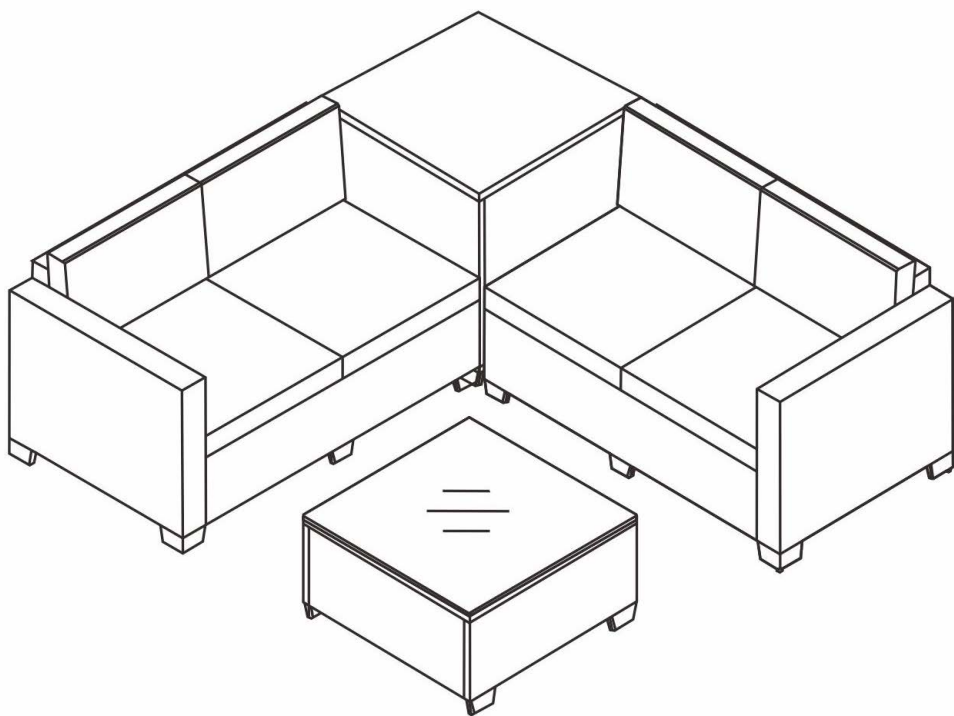


Furniture Set 4-piece with Storage Box



NOTICE

Please adhere to the following guidelines to ensure the safe use and longevity of this item:

- Avoid exceeding the weight limitations specified for this product.
- Do not use any part of this item as a step ladder or for climbing.
- Ensure all bolts, screws, and knobs are securely fastened before use.
- Check and tighten all bolts, screws, and knobs every 90 days.
- Keep this item away from open flames and flammable or combustible chemicals.
- Handle with care as some parts may be heavy or have sharp edges.
- Stop using immediately if any parts are missing, broken, damaged, or worn. Replace with factory parts or make necessary repairs before resuming use.
- Follow the manufacturer's instructions strictly to avoid voiding the product warranty.

TOOLS REQUIRED

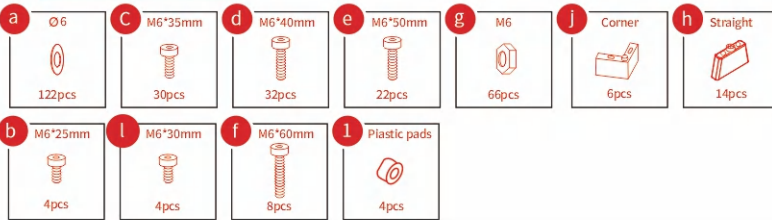


Patio Furniture Set
400LBS
CAPACITY

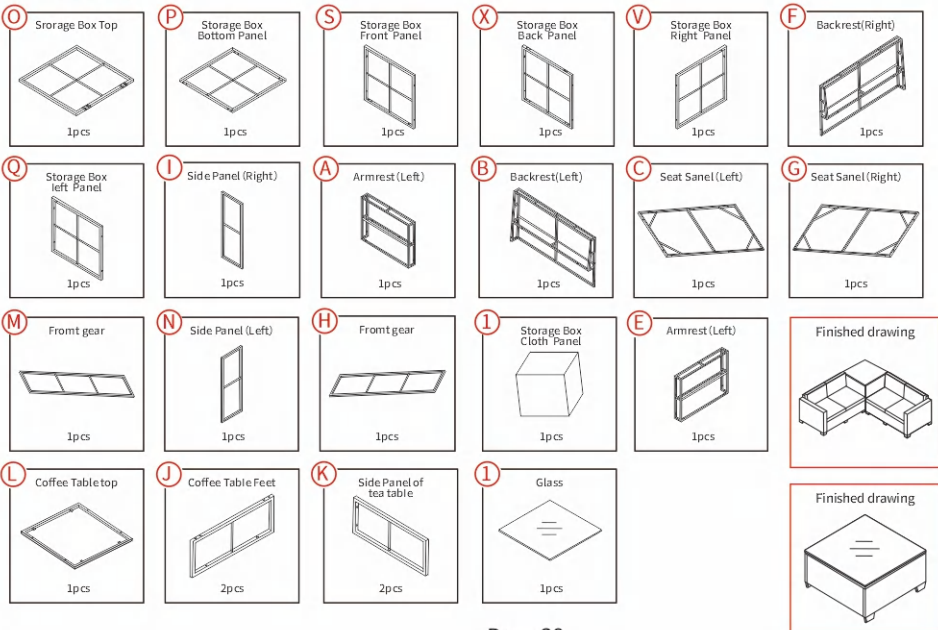


UP TO 90 MIN.
ASSEMBLY

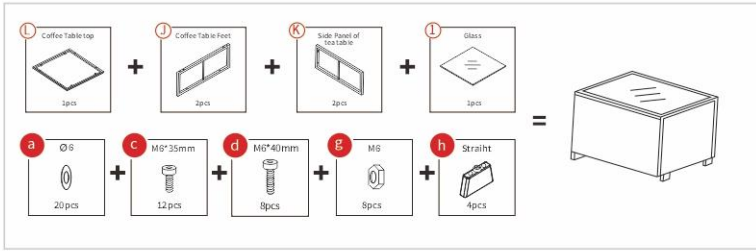
HARDWARE



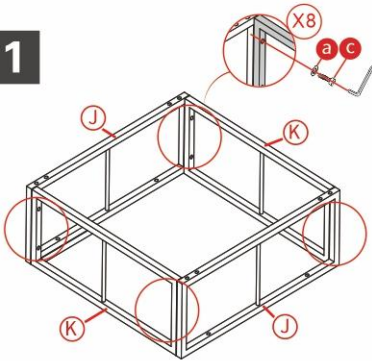
PARTS



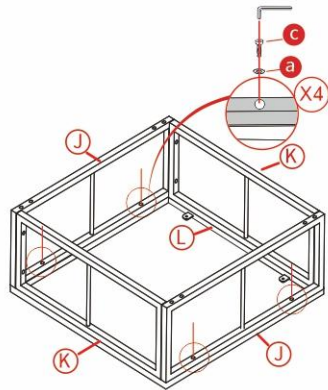
Coffee Table



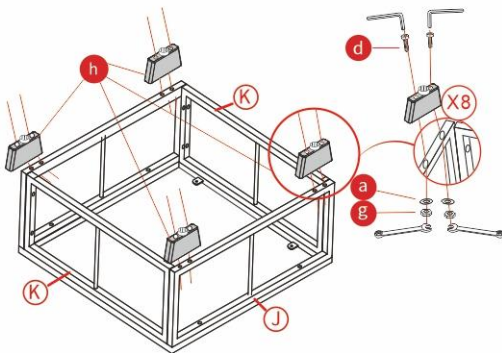
1



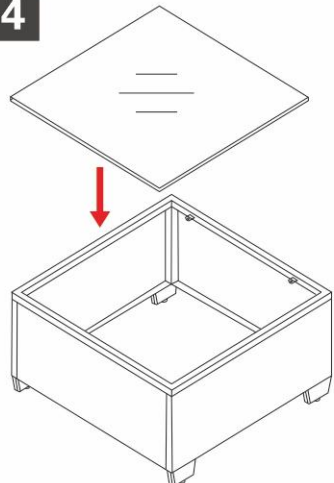
2



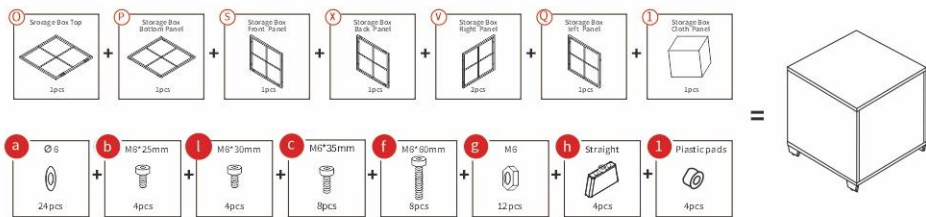
3



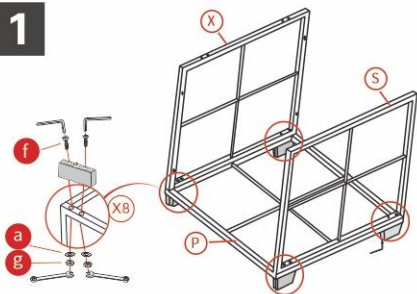
4



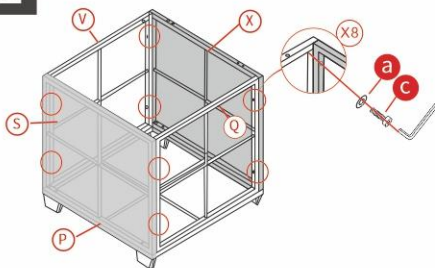
Storage Box



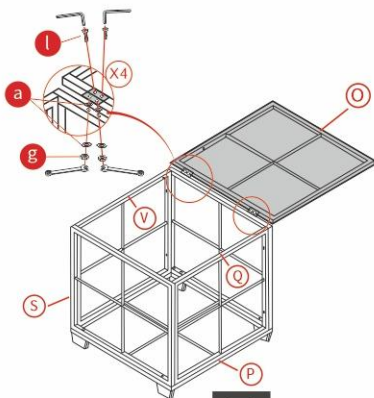
1



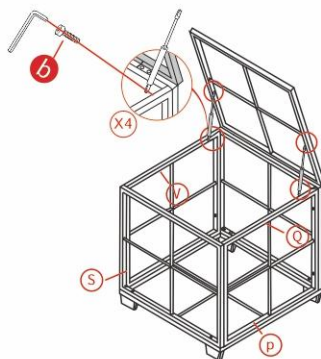
2



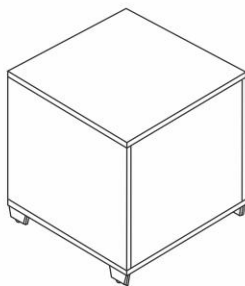
3



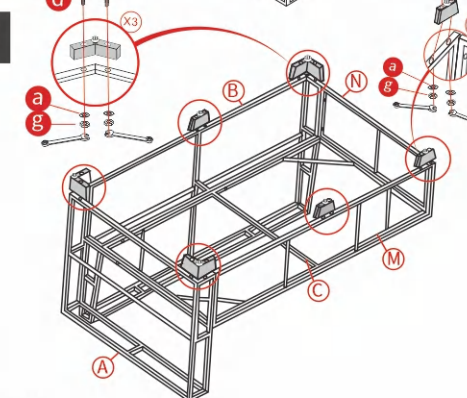
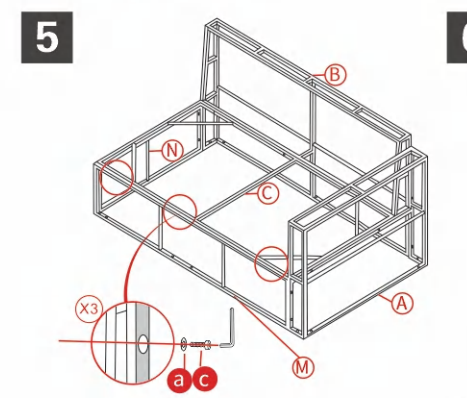
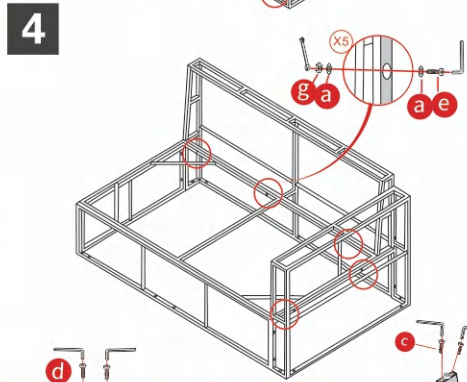
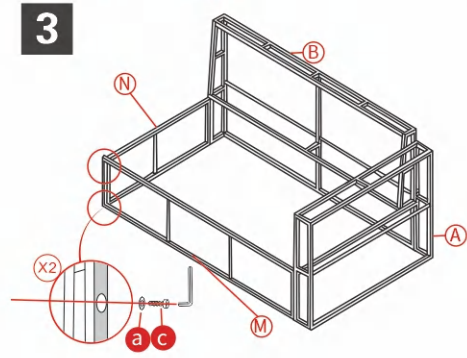
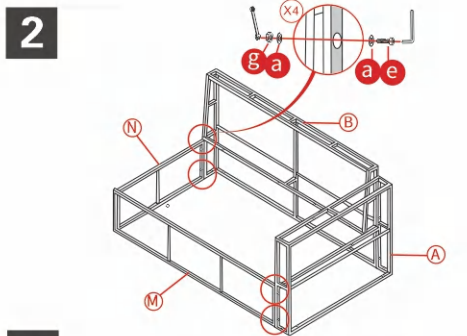
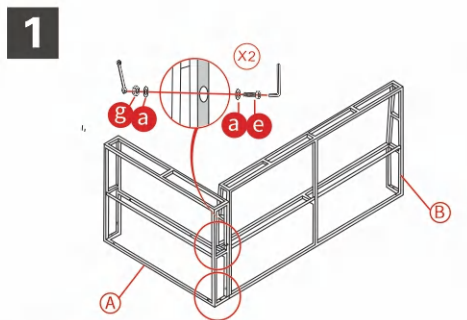
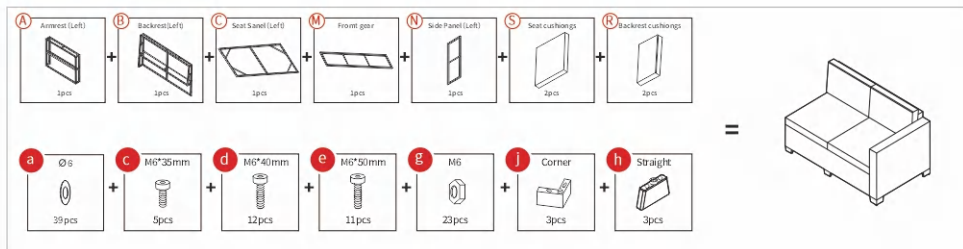
4



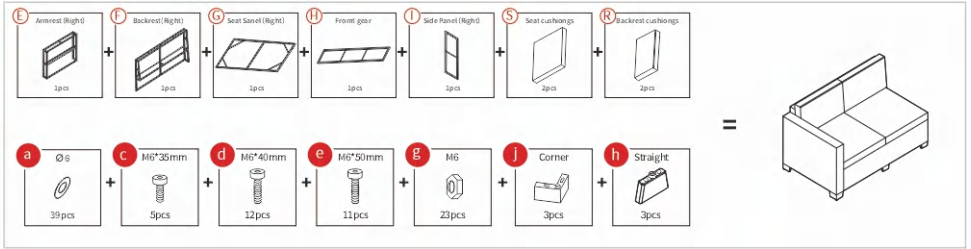
5



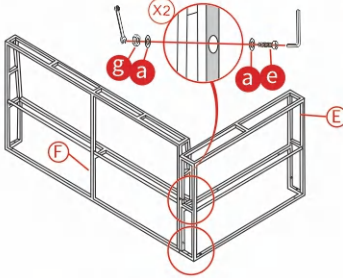
Left-hand Chair



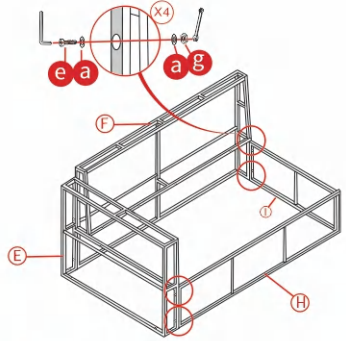
Right-hand Chair



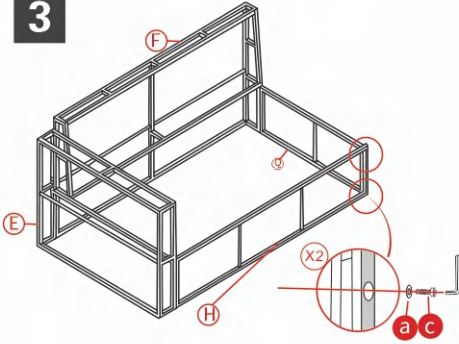
1



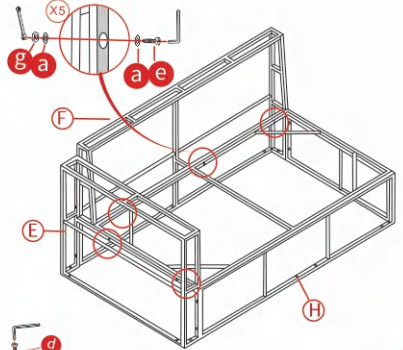
2



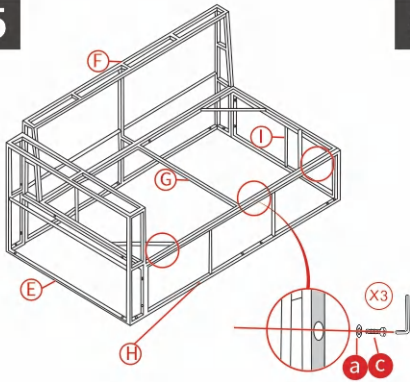
3



4



5



6

