

ASSEMBLY INSTRUCTION

Thank you for purchasing this quality product. Be sure to check all packing material carefully for small parts which may have come loose inside the carton during shipment. Separate, identify and count all parts and hardware. Compare with the parts list to be sure all parts are present.

IMPORTANT : PLEASE READ INSTRUCTION BEFORE STARTING THE ASSEMBLY.

"DO NOT TIGHTEN SCREWS UNTIL COMPLETELY ASSEMBLED"

"DO NOT OVERTIGHT ANY HARDWARE"

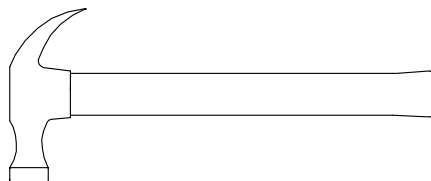
WARNING : SMALL PARTS AND HARDWARE NOT FOR CHILDREN UNDER 3 YEARS. ADULT ASSEMBLY REQUIRED.

TABLE OF CONTENTS

HARDWARES LIST	PAGE 2
PARTS LIST	PAGE 2 - 3
PARTS' LOCATION	PAGE 4
ASSEMBLY STEPS	PAGE 5 - 13
ASSEMBLY COMPLETED	PAGE 13
ANTI-TIPPING INSTALLMENT INSTRUCTIONS	PAGE 14




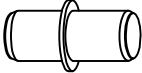
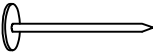
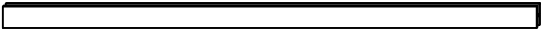
ASSEMBLY TOOLS REQUIRED

1. Hammer (not provide)

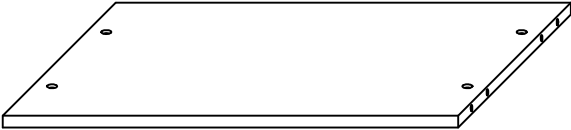
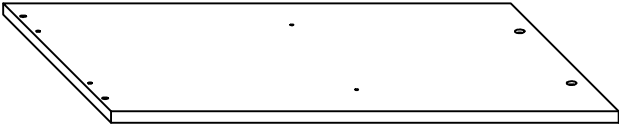


ASSEMBLY INSTRUCTION

HARDWARES LIST

ITEM	DESCRIPTION	DRAWING	QTY
A	MINIFIX CAM LOCK		18 PCS
B	MINIFIX CAM BOLT		18 PCS
C	WOOD DOWEL (M8 x 25MM)		19 PCS
D	SHELF SUPPORT (M5 x 16mm)		12 PCS
E	6/8" NAIL		34 PCS
F	PLASTIC STRIP (H SHAPE)		1 PC

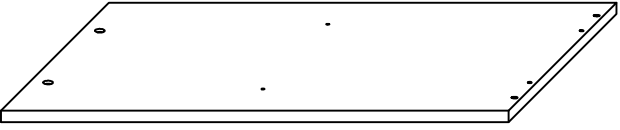

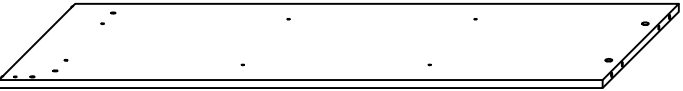
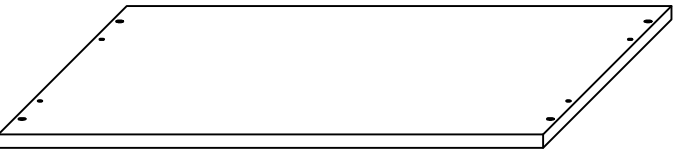
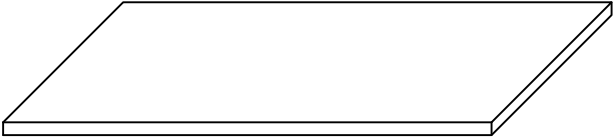
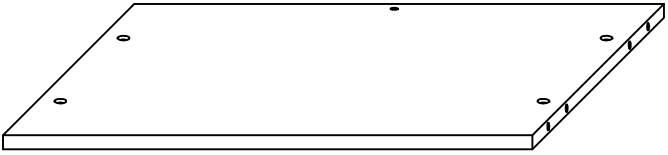

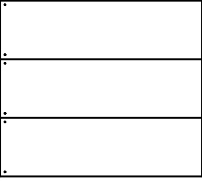
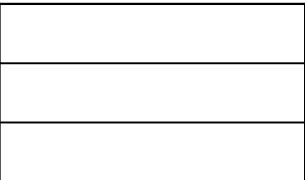
PARTS LIST

ITEM	DESCRIPTION	DRAWING	QTY
1	TOP PANEL		1 PC
2	UPPER LEFT PANEL		1 PC

MORE PARTS DETAIL IN NEXT PAGE...

ASSEMBLY INSTRUCTION

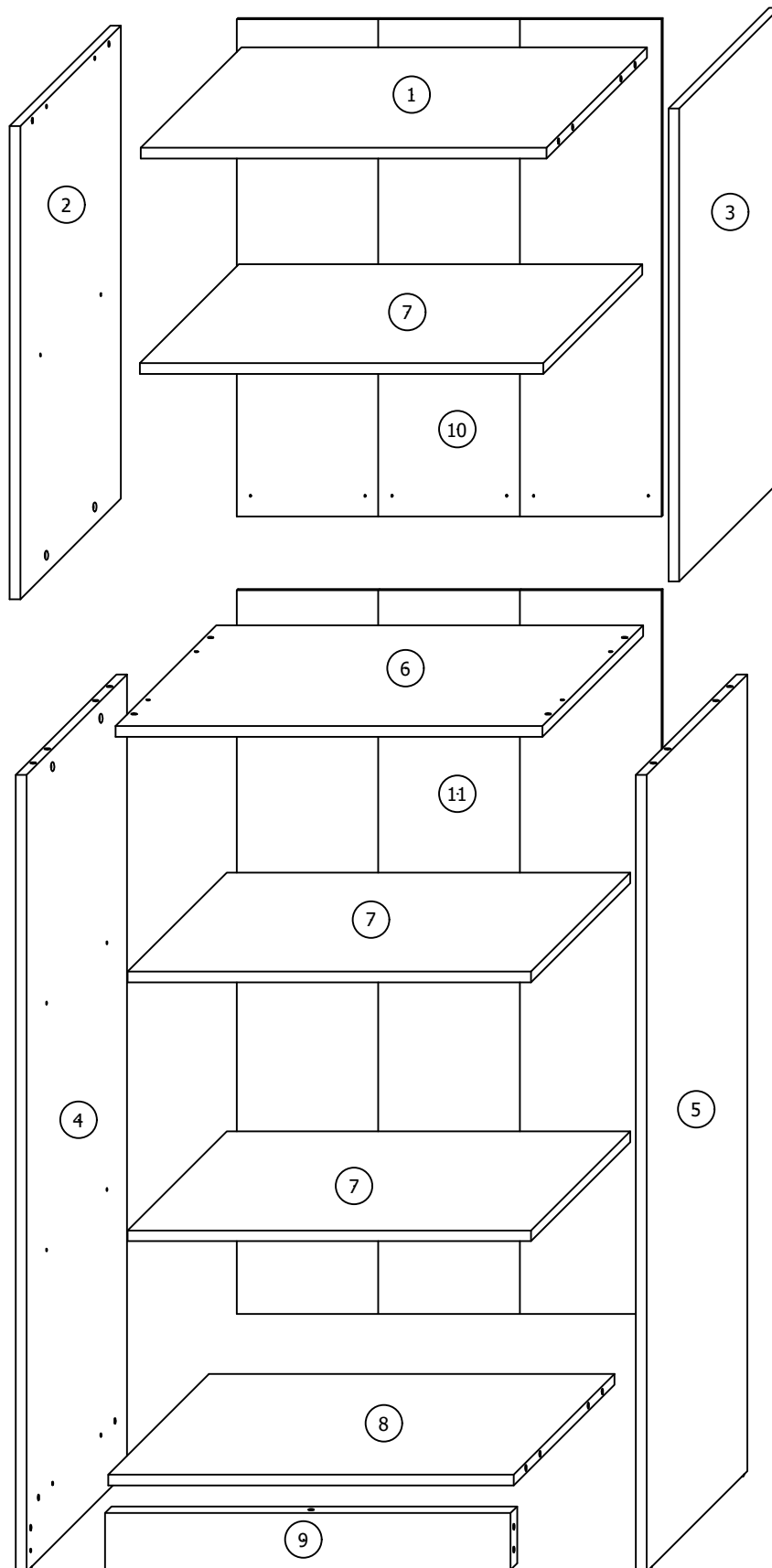
PARTS LIST

ITEM	DESCRIPTION	DRAWING	QTY
3	UPPER RIGHT PANEL		1 PC
4	LOWER LEFT PANEL		1 PC
5	LOWER RIGHT PANEL		1 PC
6	CENTRE PANEL		1 PC
7	COMPARTMENT PANEL		3 PCS
8	BOTTOM PANEL		1 PC
9	BOTTOM SUPPORT RAIL		1 PC
10	UPPER BACK PANEL		1 PC
11	LOWER BACK PANEL		1 PC

ASSEMBLY INSTRUCTION

PARTS ' LOCATION

BOOKCASE x 1 PC

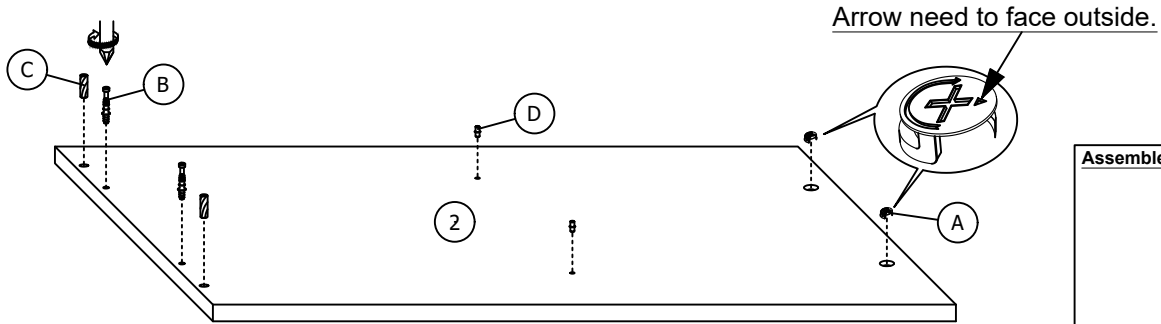


ASSEMBLY INSTRUCTION

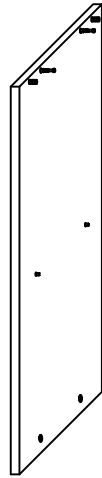
ASSEMBLY STEPS

STEP 1

Insert 2 pieces (A),(B),(C) and (D) to the (2) as shown.



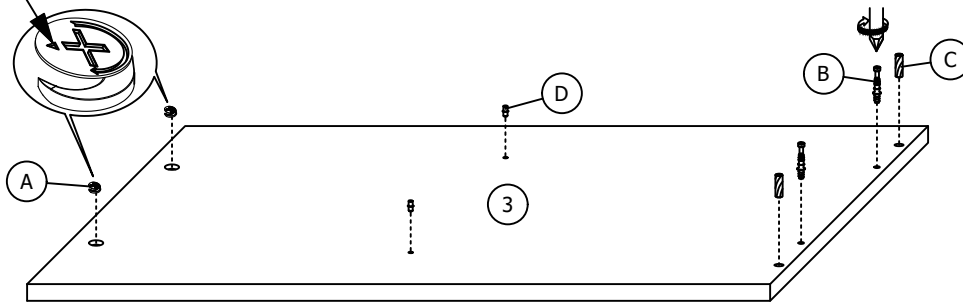
Assembled looks



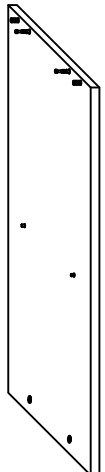
STEP 2

Insert 2 pieces (A),(B),(C) and (D) to the (3) as shown.

Arrow need to face outside.



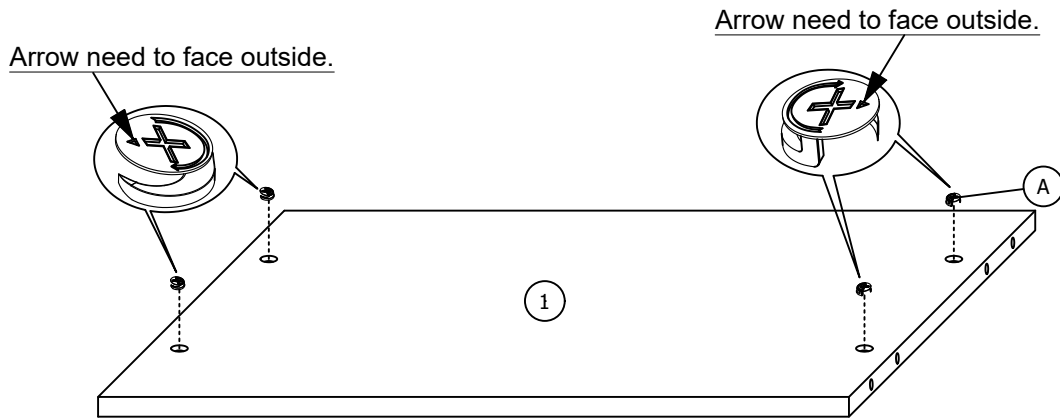
Assembled looks



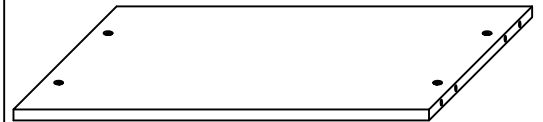
ASSEMBLY INSTRUCTION

STEP 3

Insert 4 pieces (A) to the (1) as shown.

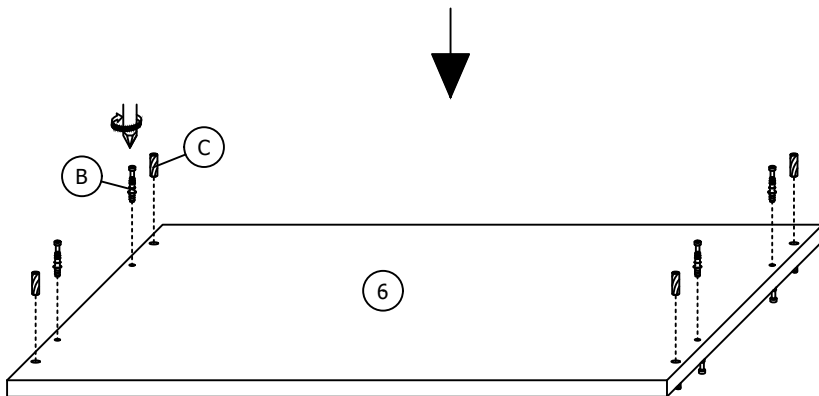
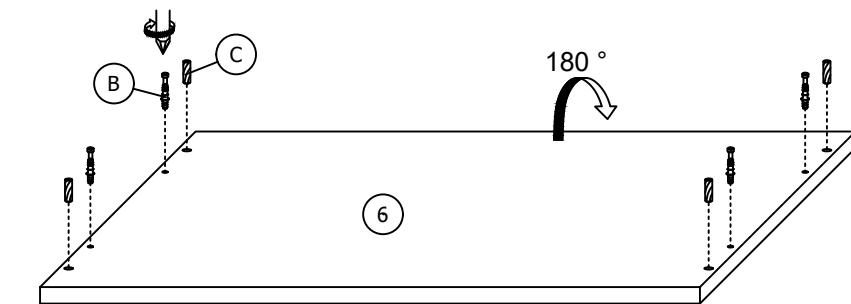


Assembled looks

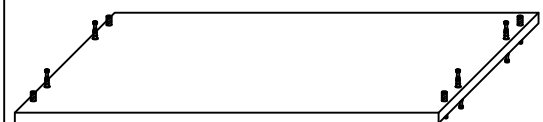


STEP 4

Insert 8 pieces (B),(C) to the both side of (6) as shown.



Assembled looks

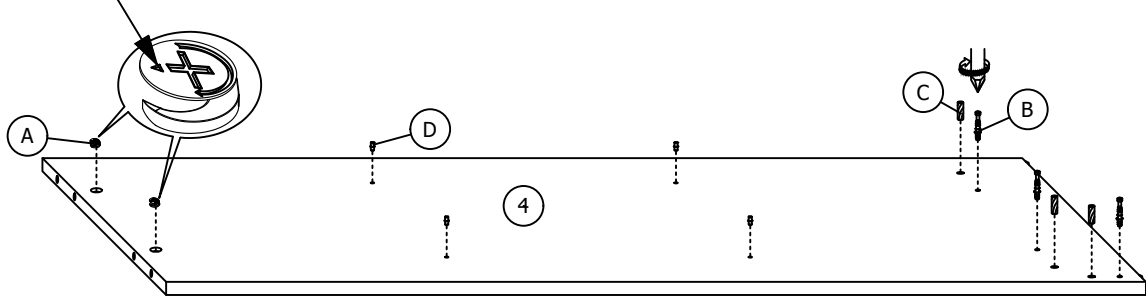


ASSEMBLY INSTRUCTION

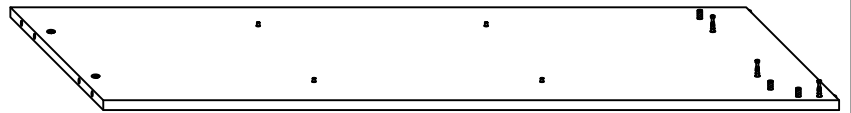
STEP 5

Insert 2 pieces (A), 3 pieces (B),(C) and 4 pieces (D) to the (4) as shown.

Arrow need to face outside.



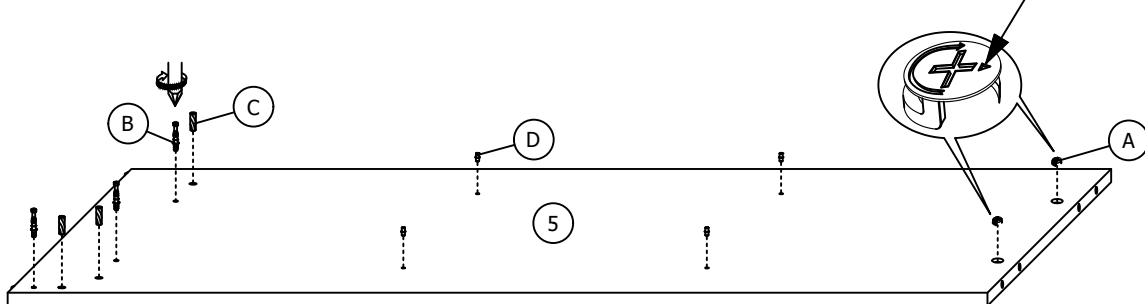
Assembled looks



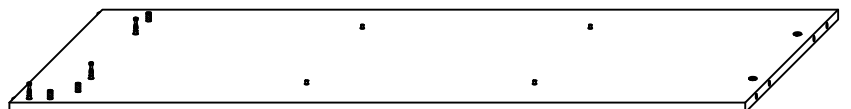
STEP 6

Insert 2 pieces (A), 3 pieces (B),(C) and 4 pieces (D) to the (5) as shown.

Arrow need to face outside.



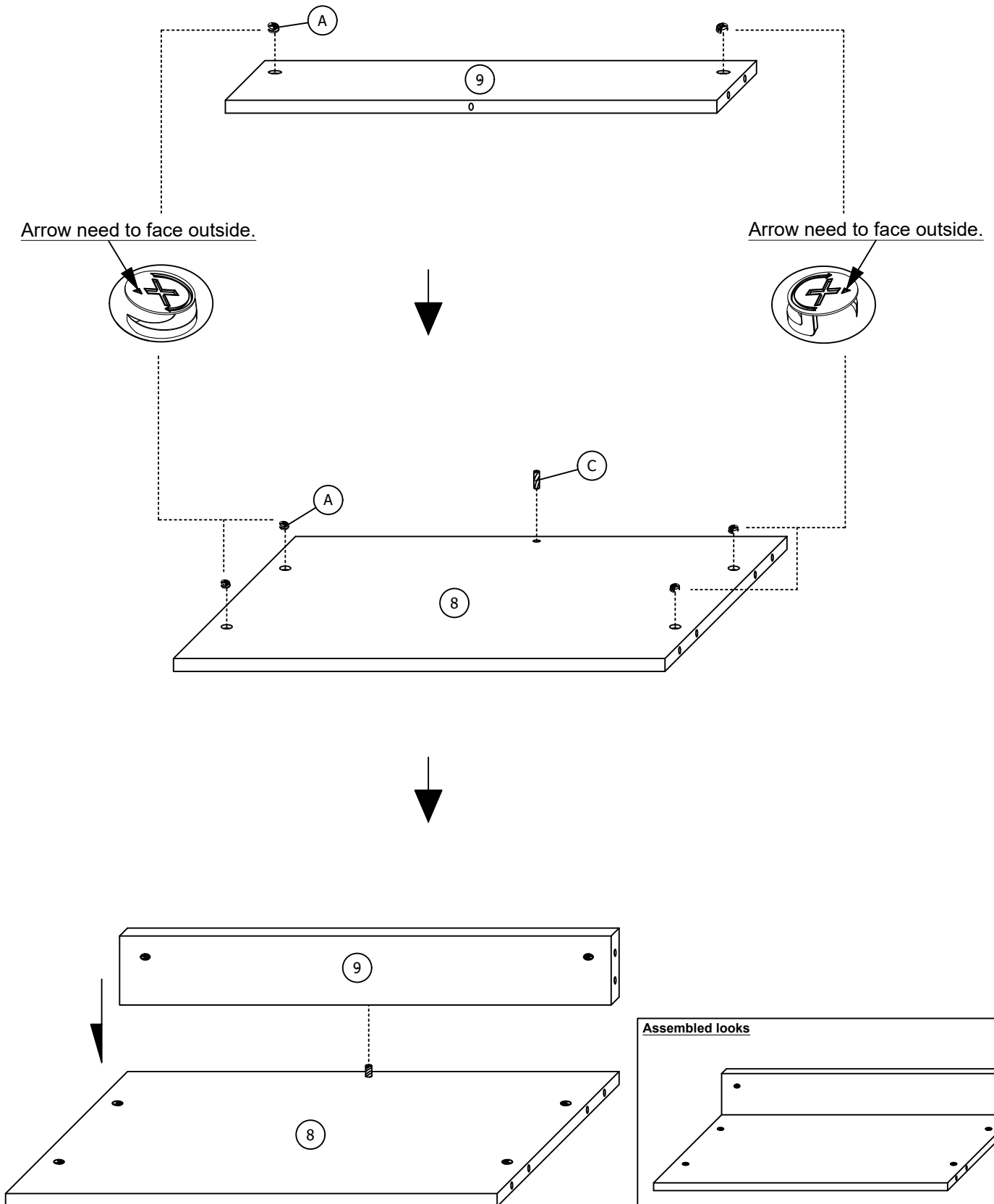
Assembled looks



ASSEMBLY INSTRUCTION

STEP 7

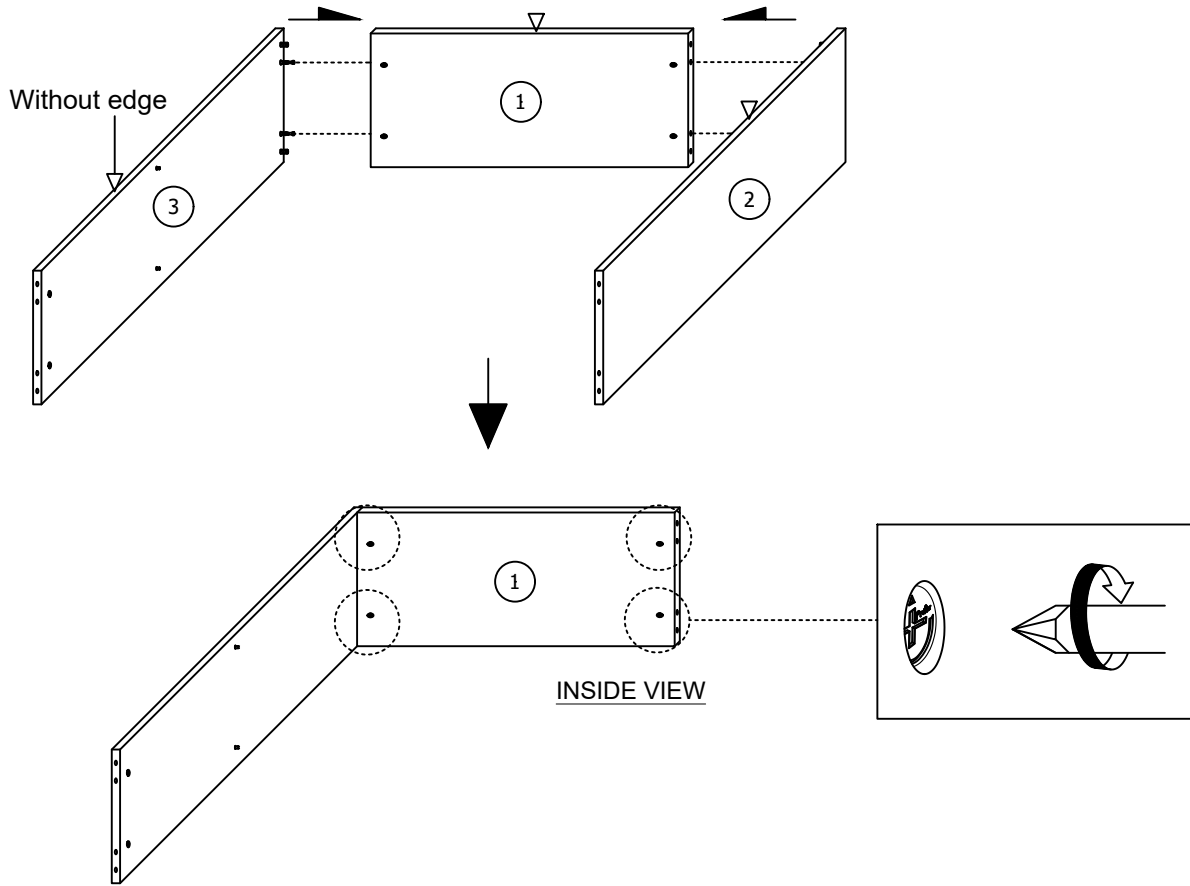
Insert 2 pieces (A) to the (9) , 4 pieces (A) and 1 piece (C) to the (8). Then combine them as shown.



ASSEMBLY INSTRUCTION

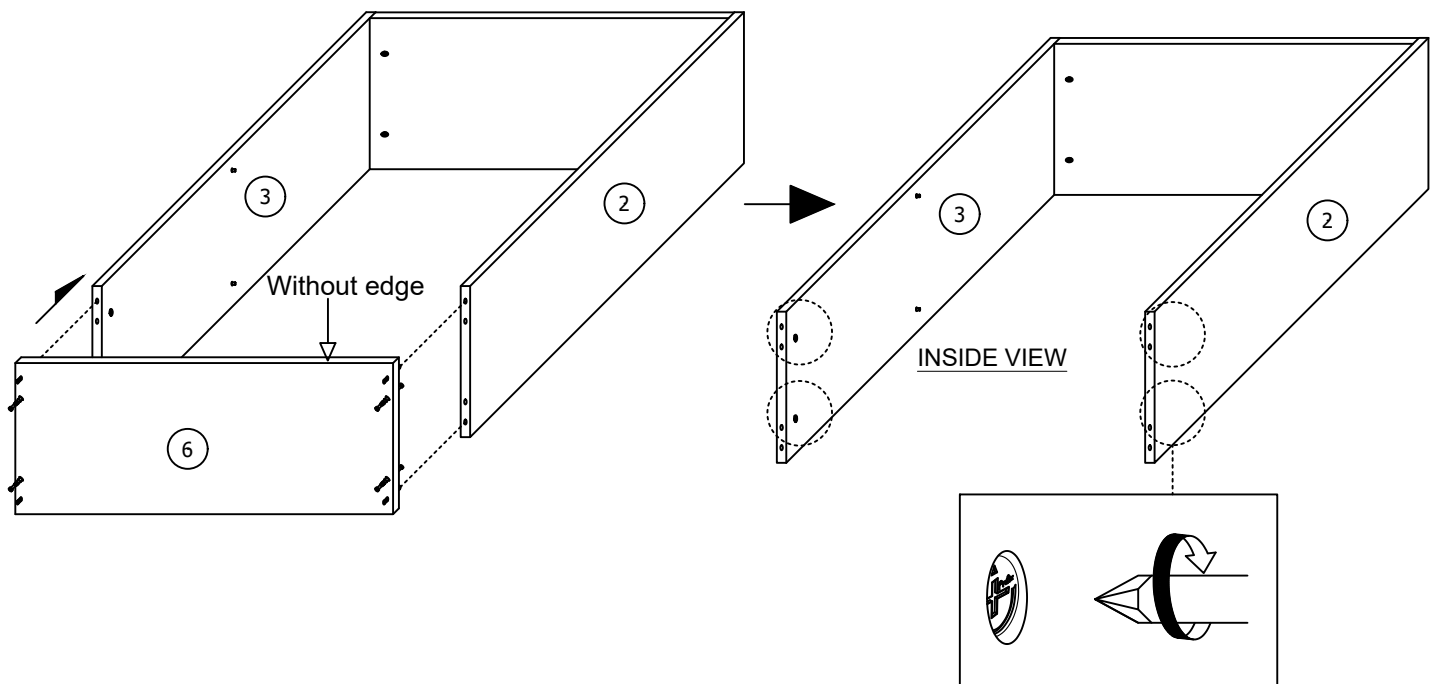
STEP 8

Combine (2),(3) to the (1) then tighten the 4 pieces (A)-(pre insert in step 3) as shown.



STEP 9

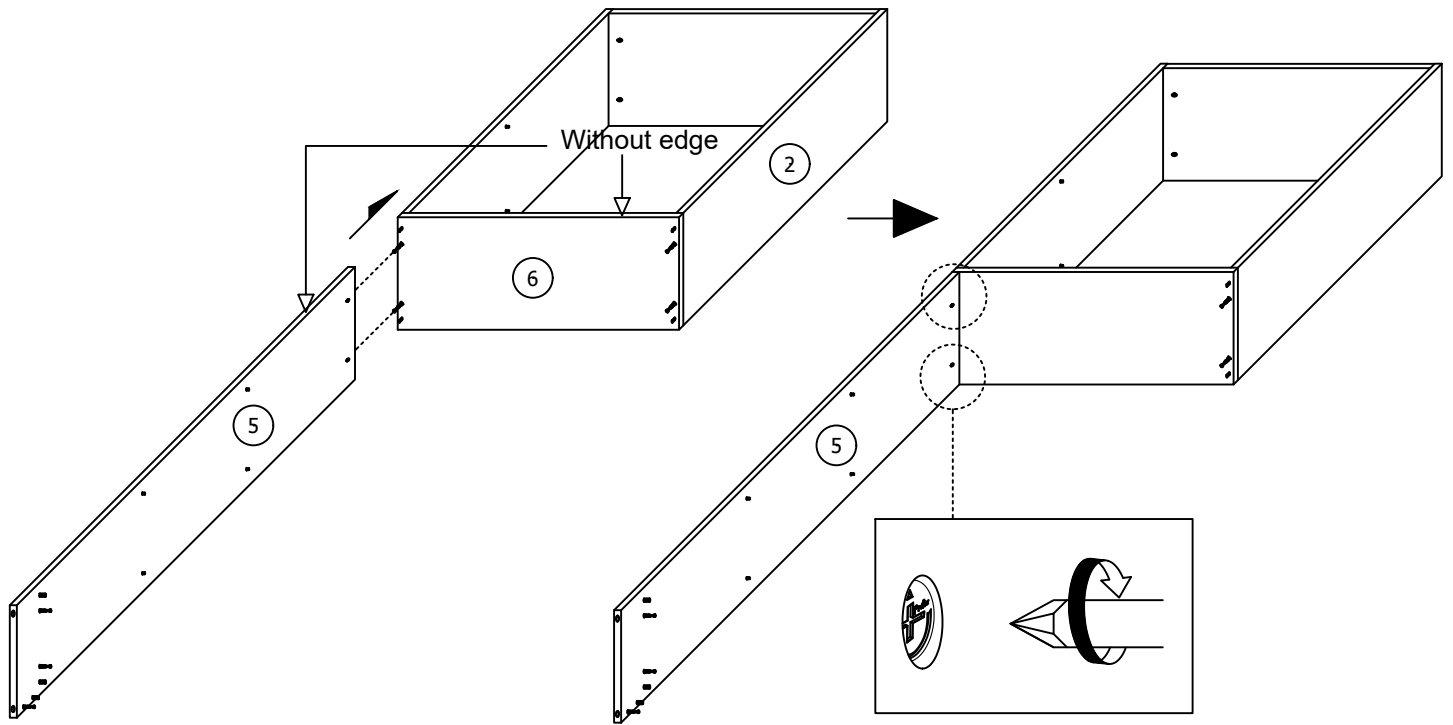
Combine the (6) to (2),(3) then tighten the 4 pieces (A)-(pre insert in step 1 and 2) as shown.



ASSEMBLY INSTRUCTION

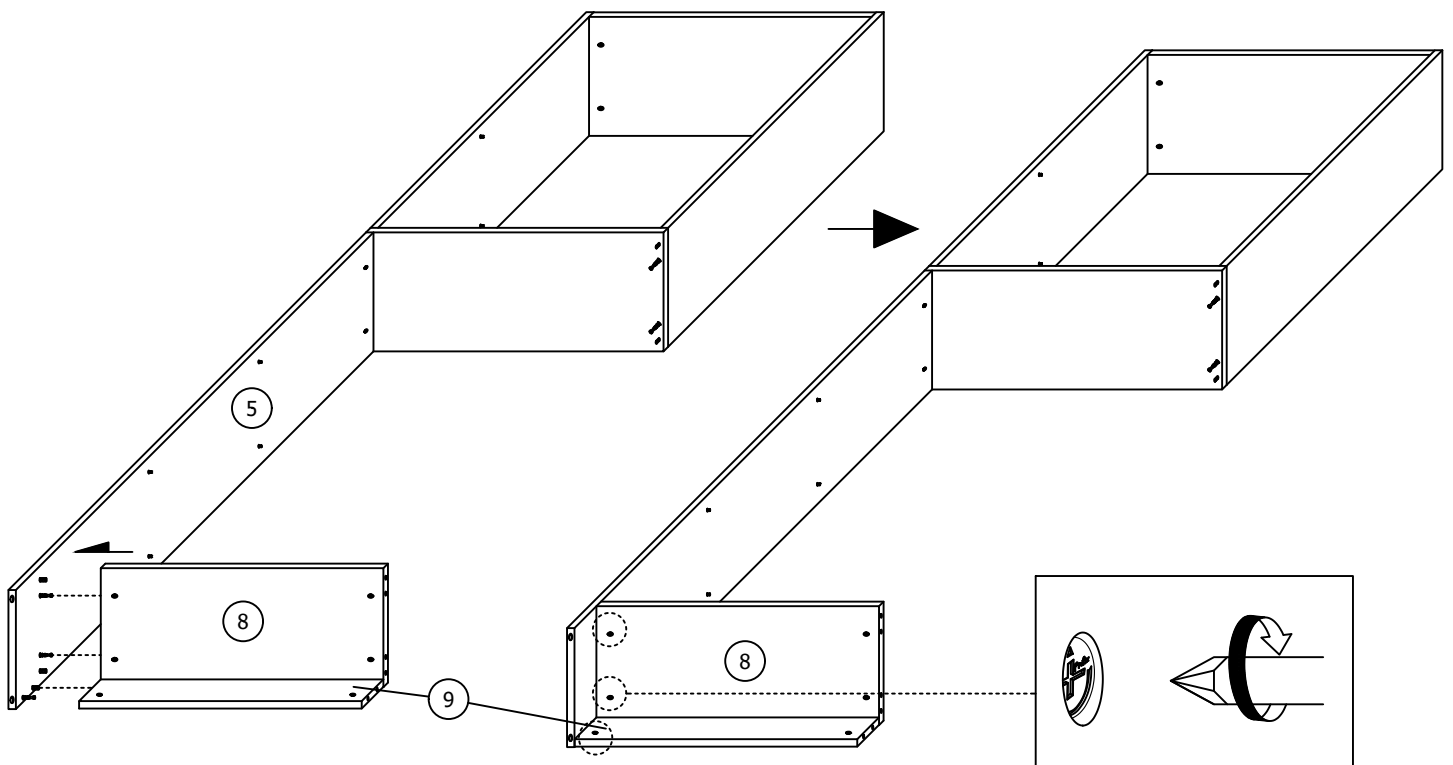
STEP 10

Combine the (5) to the (6) then tighten the 2 pieces (A)-(pre insert in step 6) as shown.



STEP 11

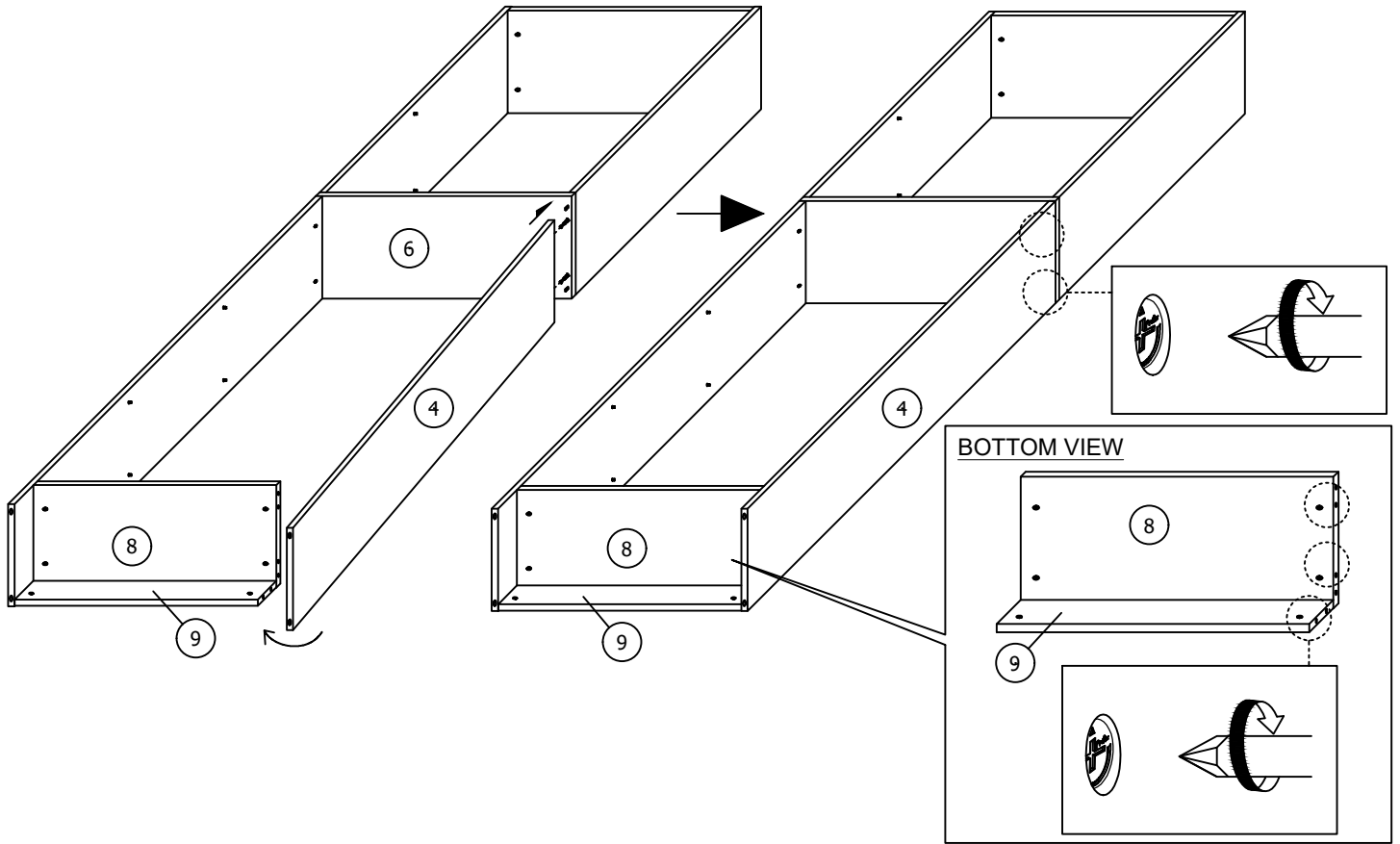
Combine the (8),(9) to the (5) then tighten the 3 pieces (A)-(pre insert in step 7) as shown.



ASSEMBLY INSTRUCTION

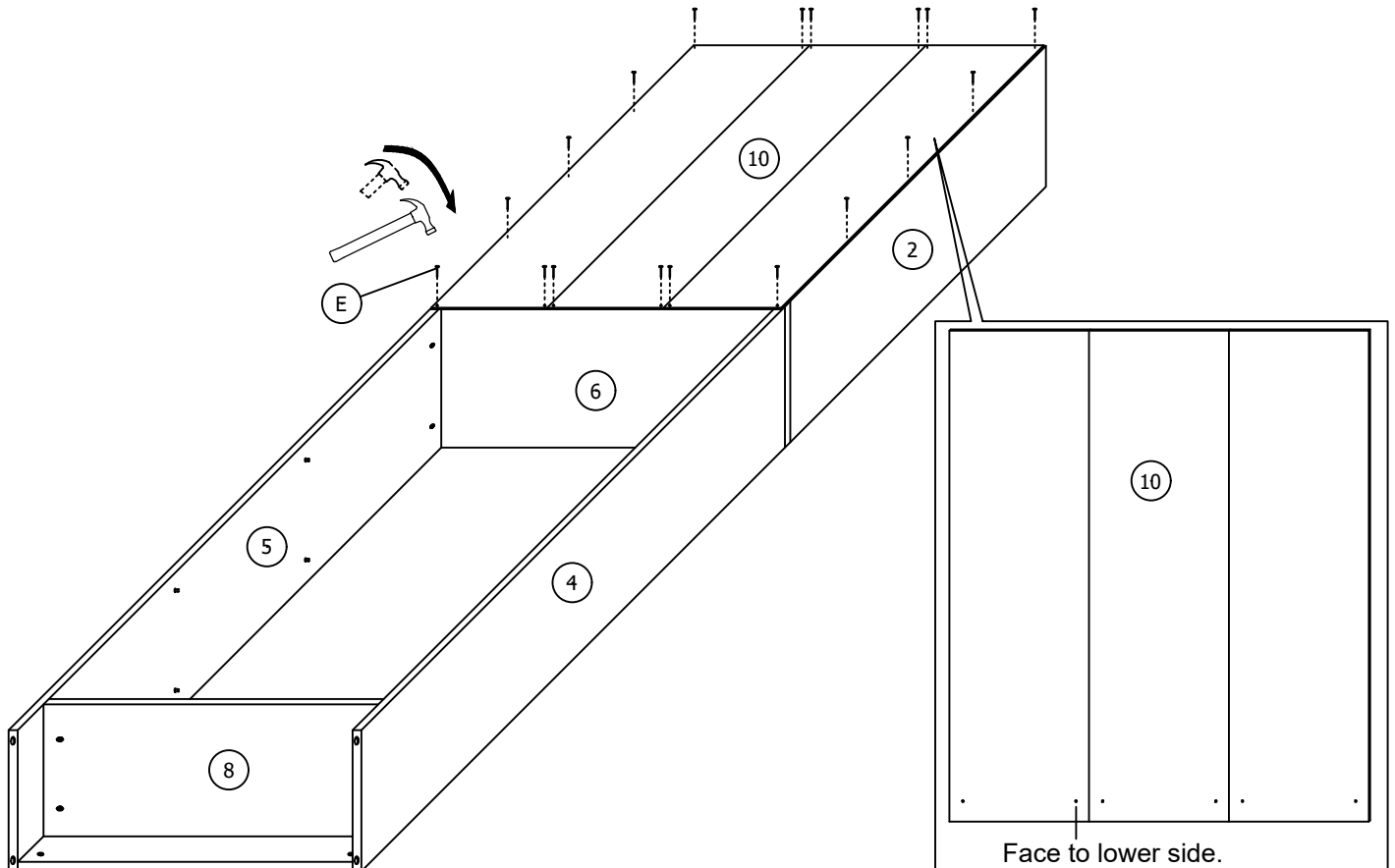
STEP 12

Combine the (4) to (6),(8),(9) then tighten the remaining 5 pieces (A)-(pre insert in step 5 and 7) as shown.



STEP 13

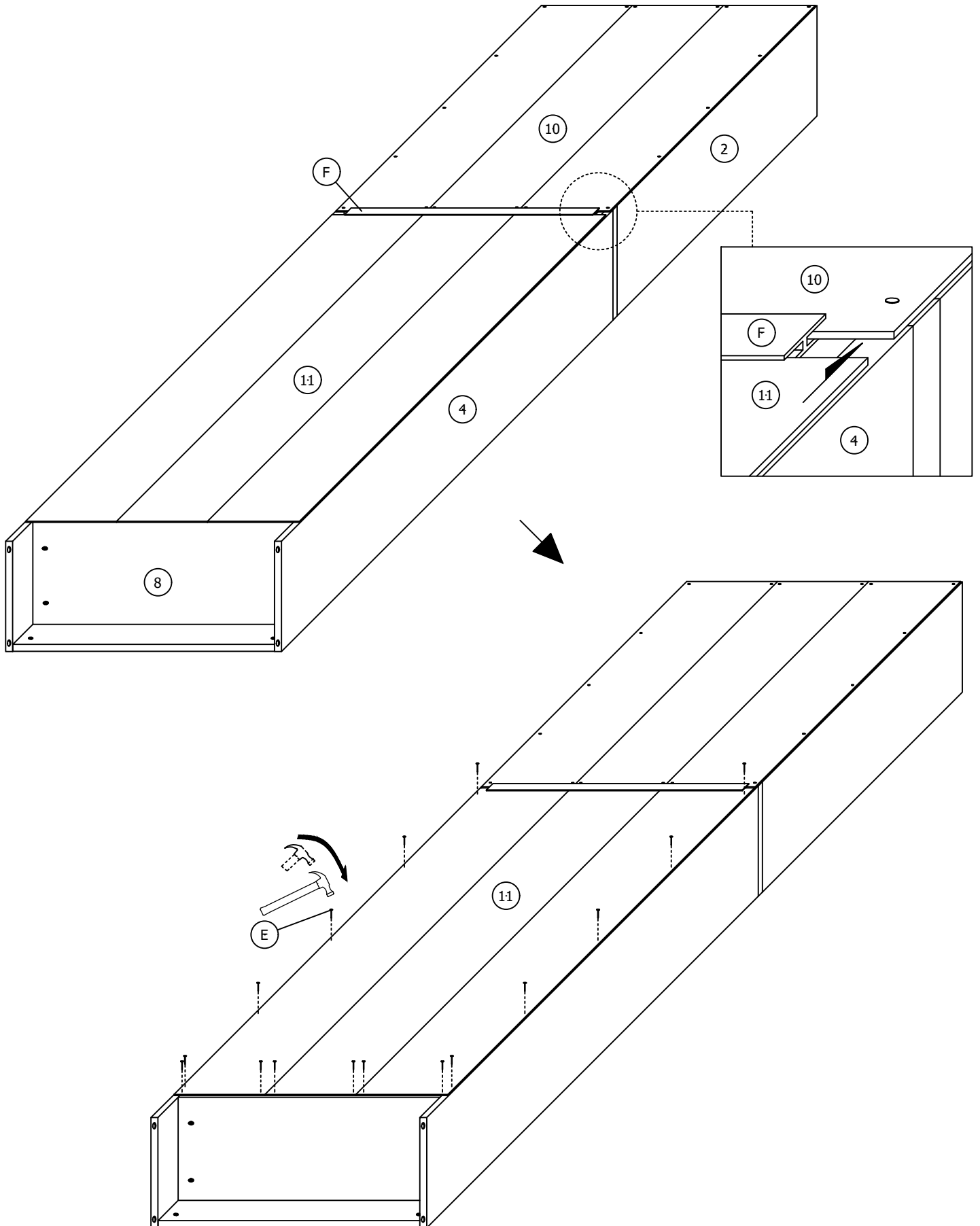
Insert 18 pieces (E) to fix (10) as shown. Color paper facing to inside.



ASSEMBLY INSTRUCTION

STEP 14

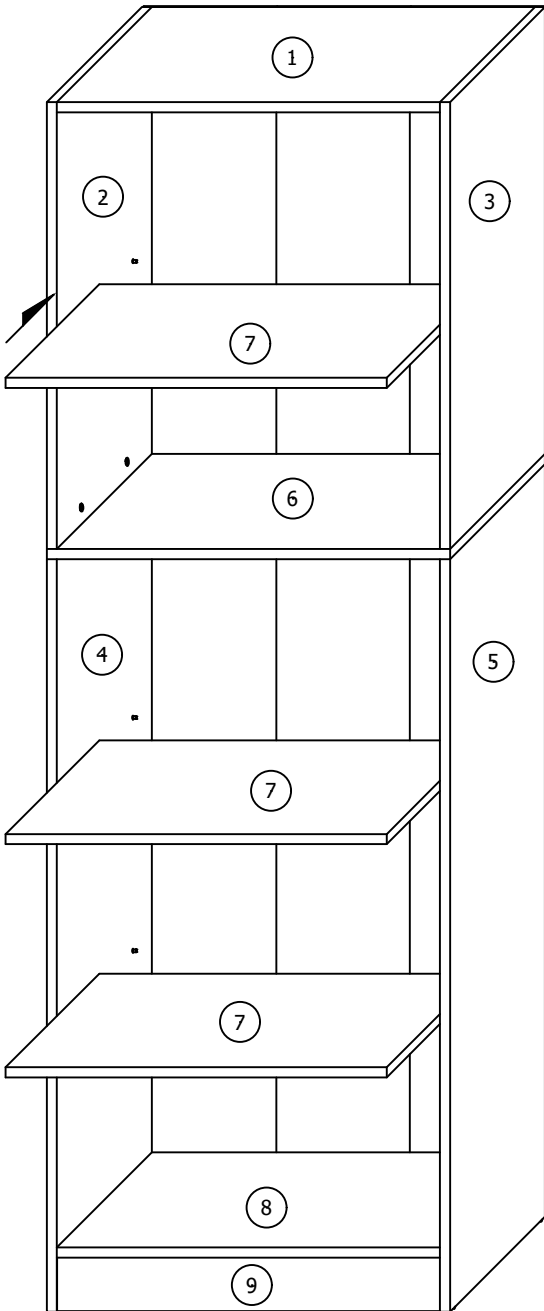
Put (10),(11) to the gap of (F). Then Insert the remaining 16 pieces (E) to (11). Color paper facing to inside. To prevent blocking (2),(3),(4),(5), make sure the (F) at the middle of (10) and (11), do not over left or right.



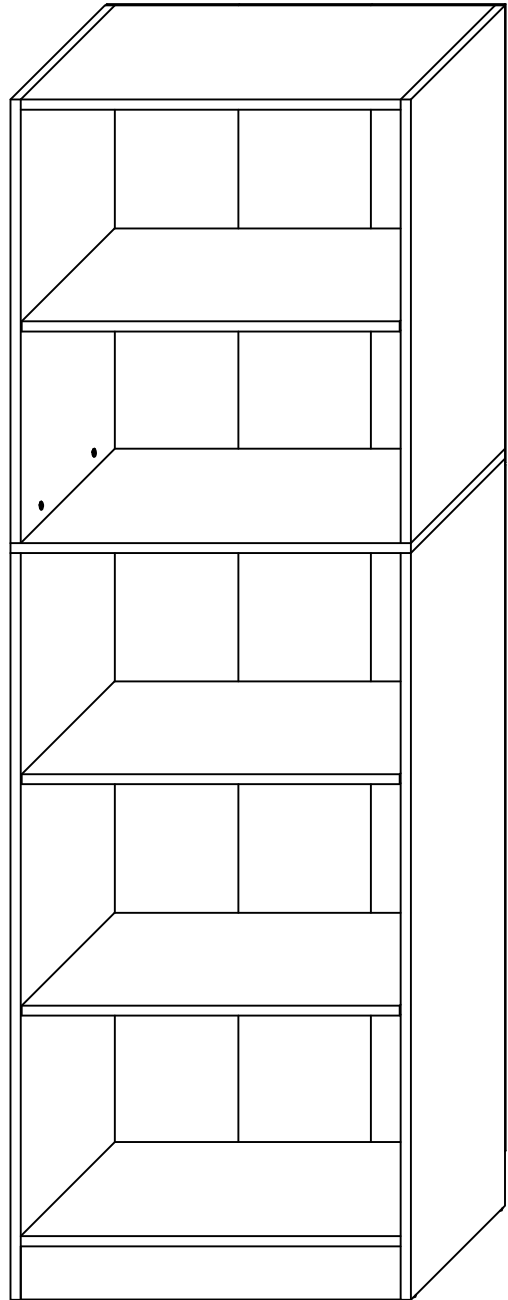
ASSEMBLY INSTRUCTION

STEP 15

Put the 3 pieces (7) on the (D) which between (2),(3),(4) and (5) as shown.



STEP 16



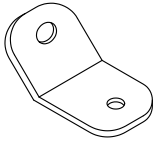
ASSEMBLY COMPLETED

WALL STUD

SAFETY BRACKET INSTRUCTIONS

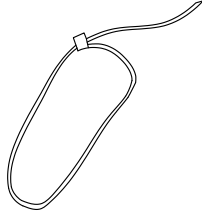
Part Enclosed :

A) Bracket



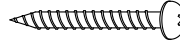
2x

B) Safety Strap



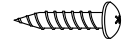
1x

C) 50mm Pan Head Screw



1x

D) 17mm Pan Head Screw



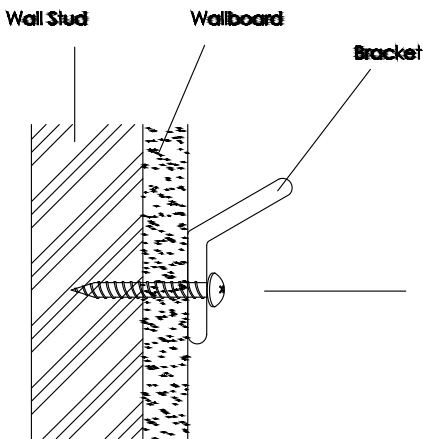
1x

IMPORTANT: Tipping can injure young children. Use of this safety hardware is highly recommended. This safety hardware, when properly installed, can provide furniture protection against unexpected accidental tipping of furniture due to improper use.

Step 1

Attach a bracket to the wall board with the 2" screw provided:

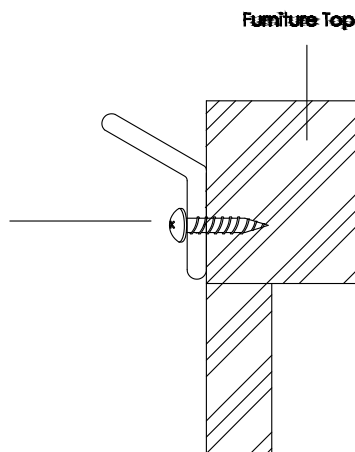
- It is recommended that you locate a wall stud behind the furniture unit. If the wall stud is not used, a suitable "Hollow-Wall Anchor Bolt" (not provided) should be used in lieu of the wall stud.
- Position the wall bracket on the stud about 1" below the top of furniture piece.
- Mark the position for the bracket placement on the wall and drill a pilot hole into the stud.
- Attach the bracket to the back of the furniture with the 2" screws provided.



Step 2

To attach a bracket to the Furniture Frame below to top with the short screws provided :

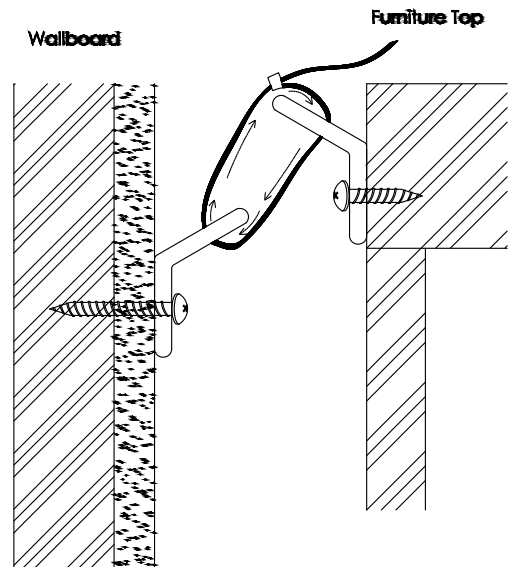
- Move the furniture piece temporarily to its final position to the wall.
- Mark the location of the bracket on the back of the furniture in relation to the previously mounted wall bracket.
- Move the furniture piece away from the wall mounted bracket and place the other bracket on the mark position on the back of the furniture piece.
- Drill a pilot hole as shown in the figure or into the back furniture frame.
- Caution:** Mark sure you do not drill completely through the back of the furniture.
- Attach the bracket to the back of the furniture with the 5/8" screws provided.



Step 3

To Attach the safety strap

- Move the furniture back to its final position.
- Thread the safety strap through both of the mounted brackets as shown in the illustration.
- Tighten the strap unit snug.
- Do not over tighten.



IMPORTANT: Make sure the brackets are firmly attached to the wall stud and furniture frame and the safety strap is snug.

Warning: This product is not be a substitute for proper parental supervision which is the only proper deterrent to prevent improper use of this unit. The manufacturer assumes no liability for improper installation or excessive loads placed on the safety straps, bracket or mounting screws. This hardware will not insure against tipping.

Note: For taller or heavier pieces of furniture, two safety brackets may be installed.