

3LT PENDANT LIGHT ASSEMBLY/INSTALLATION INSTRUCTIONS

Thank you for ordering our product. If you have any questions, we will serve you wholeheartedly.

CAUTION

WARNING: Risk of Fire. Min 75°C supply conductors. Consult a qualified electrician to ensure correct installation.

Turn off the main power at the circuit breaker before installing the fixture, in order to prevent possible shock.

GENERAL

All electrical connections must be in accordance with local and National Electrical Code (N.E.C.) standards. If you are unfamiliar with proper electrical wiring connections obtain the services of a qualified electrician.

Remove the fixture and the mounting package from the box and make sure that no parts are missing by referencing the illustrations on the installation instructions.

TOOLS REQUIRED

Phillips screwdriver, pliers.

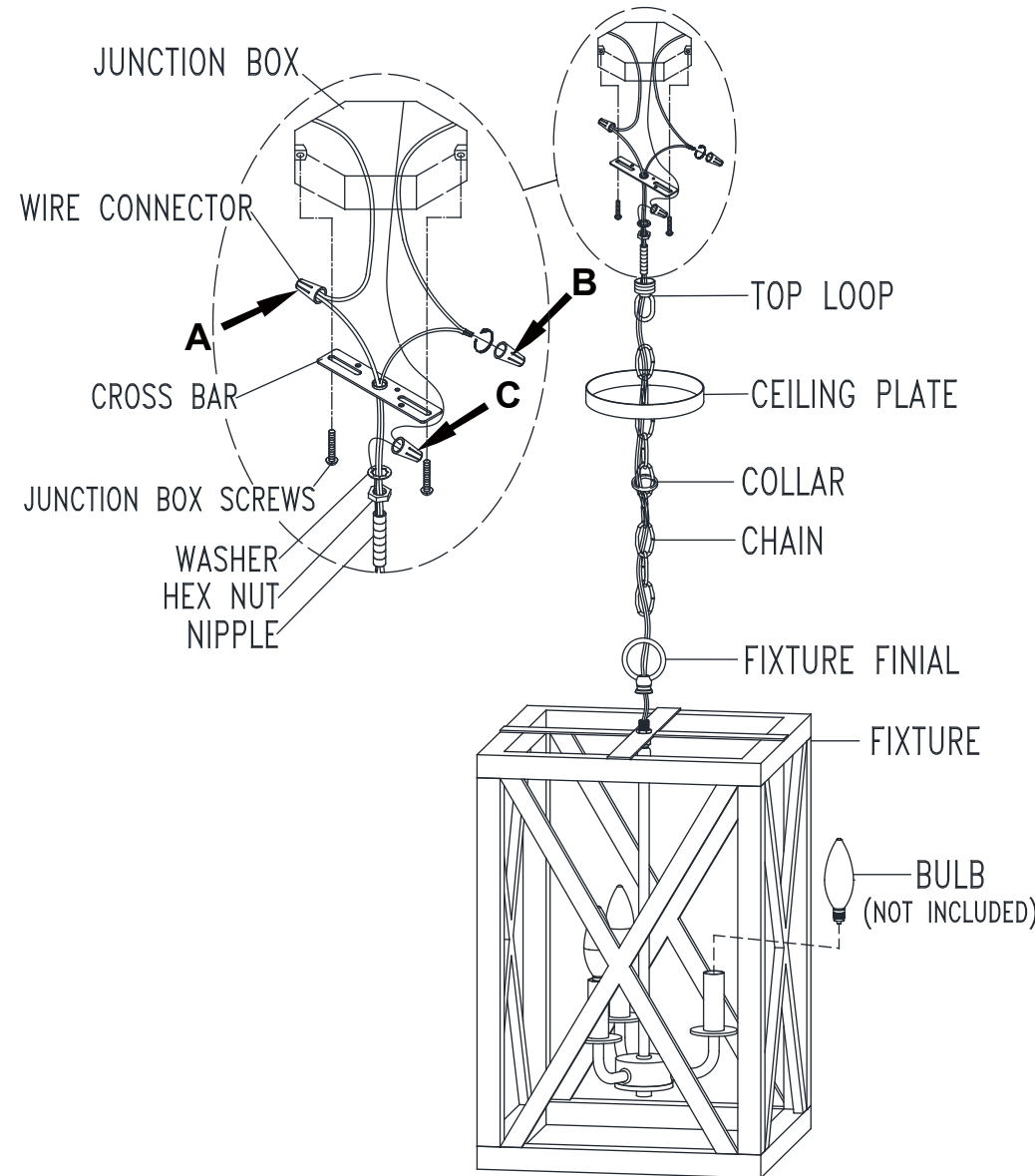
ASSEMBLY AND INSTALLATION

Turn off the power at fuse or circuit breaker.

1. Attach the NIPPLE to the CROSS BAR, then secure it with a WASHER and HEX NUT.
2. Attach the CROSS BAR to the JUNCTION BOX by using two JUNCTION BOX SCREWS.
3. Secure the TOP LOOP to the NIPPLE.
4. Secure the FIXTURE FINIAL to the FIXTURE.
5. Choose the length of the CHAIN you need, then weave the FIXTURE WIRE and the FIXTURE GROUND WIRE through the CHAIN, COLLAR and CEILING PLATE.
6. Open the top and bottom section of the CHAIN using a phillips screwdriver (not included) and pliers (not included), then attach it to the LOOP. Close the CHAIN.
7. Thread the FIXTURE WIRE and FIXTURE GROUND WIRE through the TOP LOOP, NIPPLE and CROSS BAR.
8. Pull out the SUPPLY WIRES and SUPPLY GROUND WIRE from the OUTLET BOX. Make wire connections using the WIRE CONNECTORS:
A---The smooth wire (marked) from the fixture to the black wire from the power source.
B---The ridged wire (unmarked) from the fixture to the white wire from the power source.
C---Attach the FIXTURE GROUND WIRE to the CROSS BAR with the GREEN GROUND SCREW.
Then connect it to the SUPPLY GROUND WIRE with a WIRE CONNECTOR.
Carefully put the wires back into the OUTLET BOX.
9. Attach the CEILING PLATE to the CROSS BAR by inserting the TOP LOOP, then secure it with the COLLAR.
10. Install BULB (not included). See relamping label at socket area or packaging for maximum allowed wattage.

Turn on the power at fuse or circuit breaker.

ASSEMBLY AND INSTALLATION (CONT.)



**IF IN DOUBT ABOUT ELECTRICAL INSTALLATION,
CONSULT A LICENSED ELECTRICIAN.**