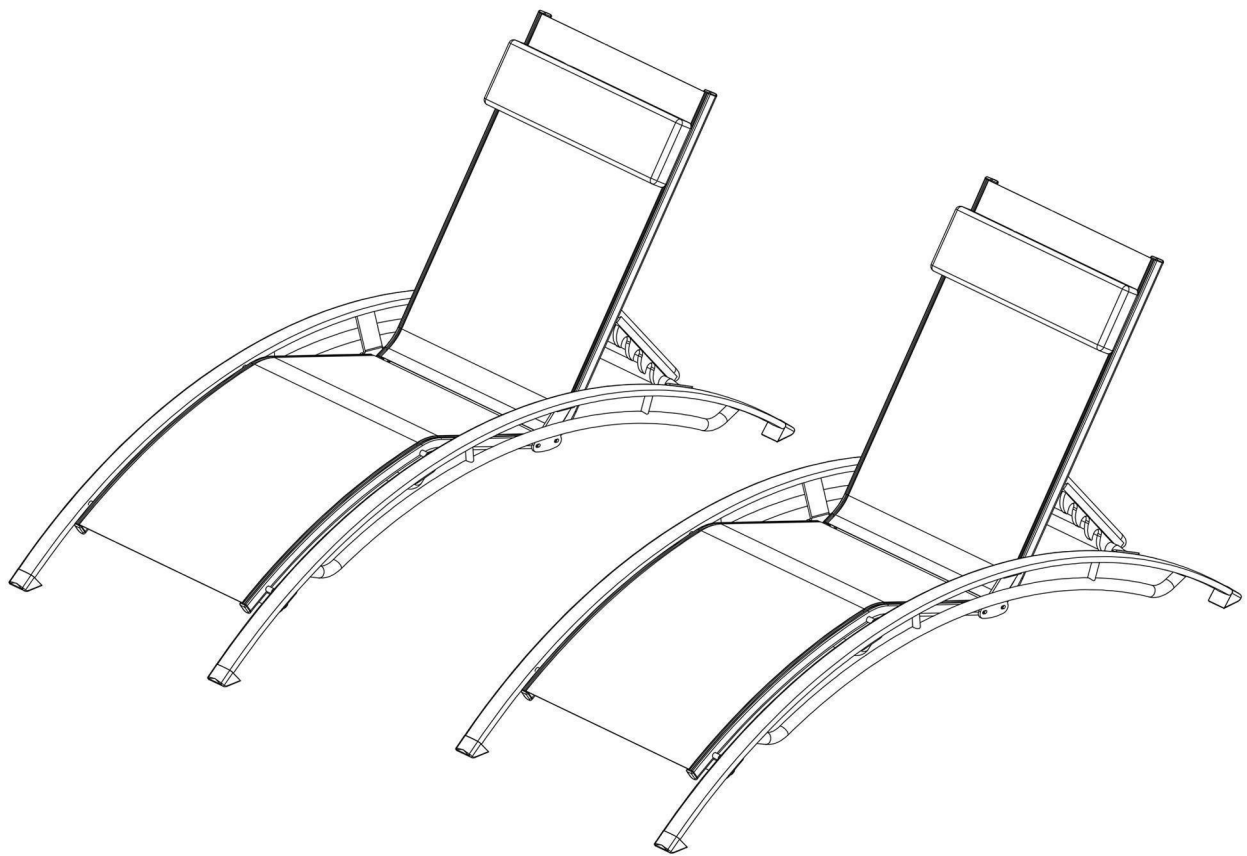
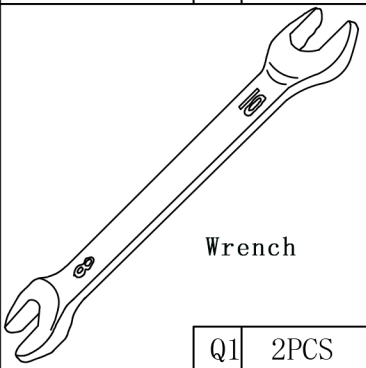
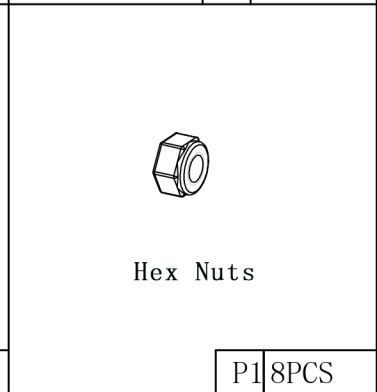
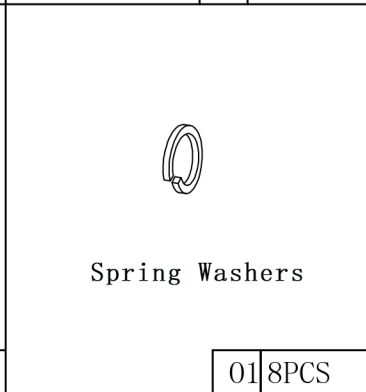
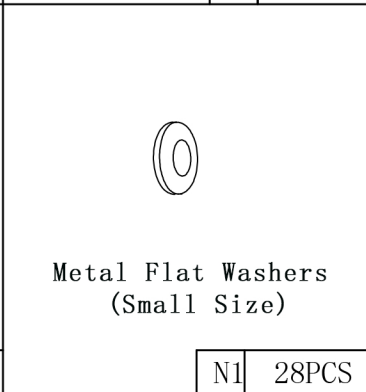
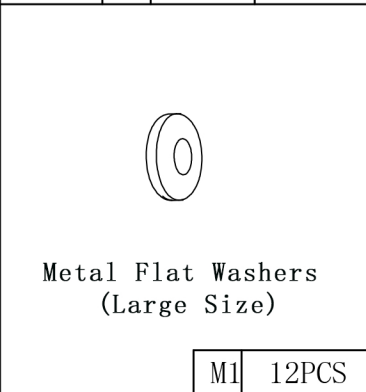
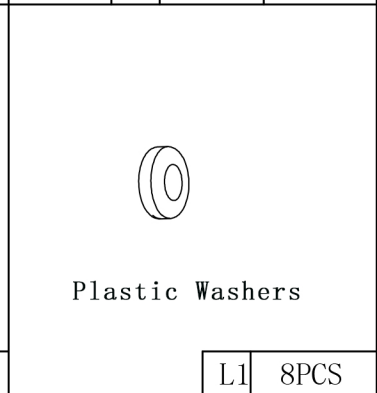
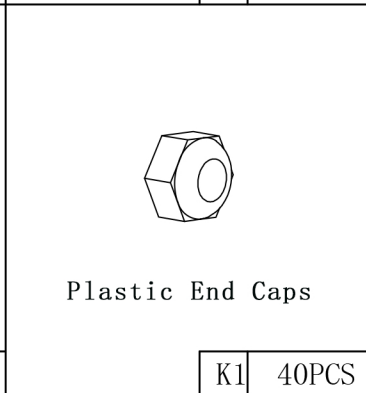
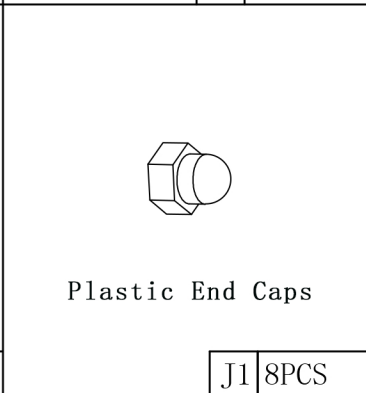
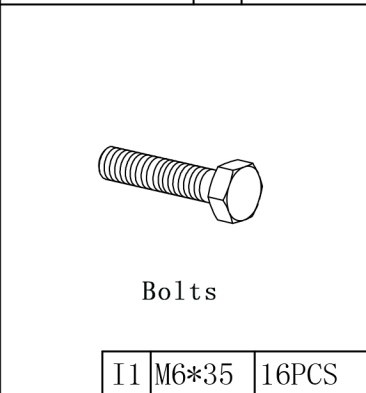
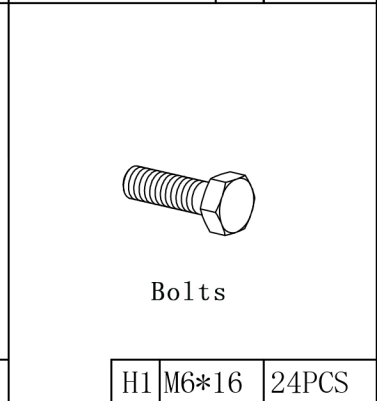
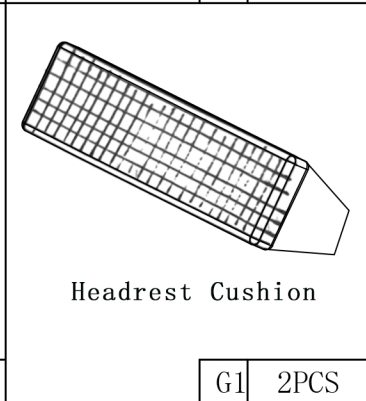
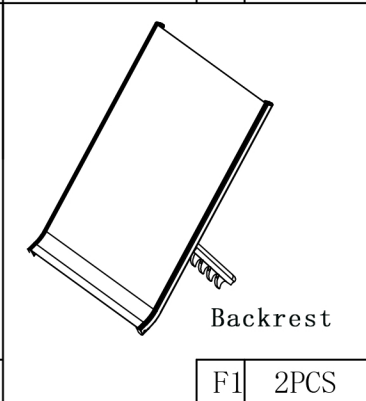
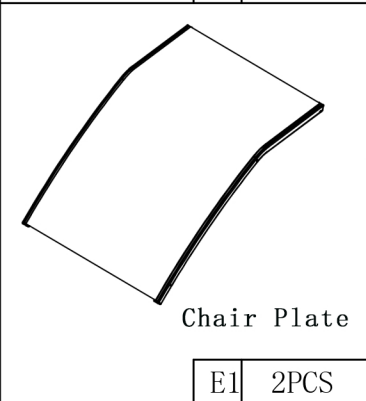
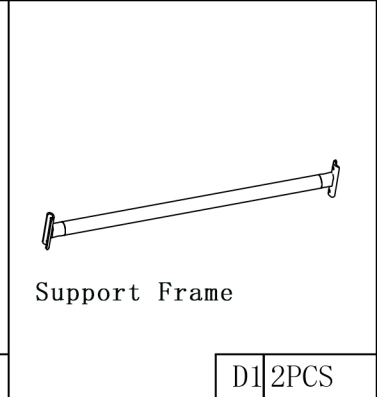
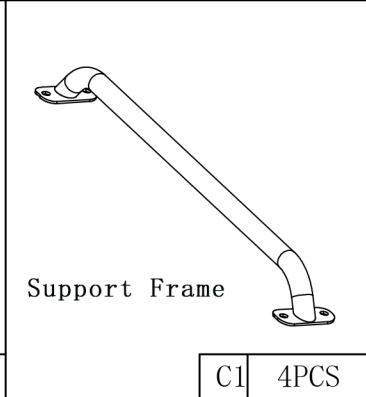
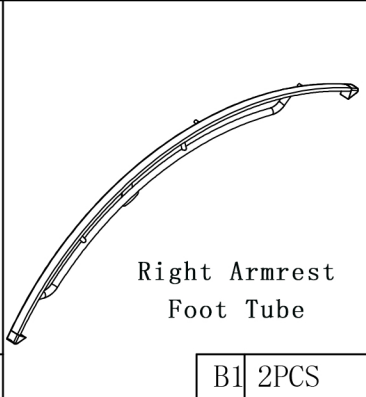
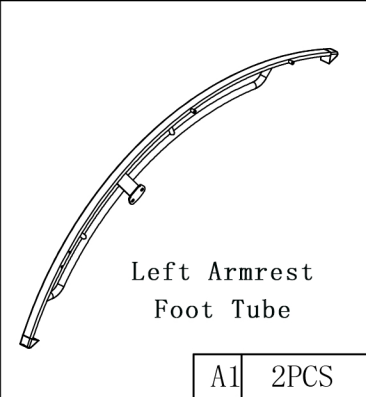


Patio Chaise Lounge Chair Assembly Manual



- Prior to assembly, please confirm all of the parts listed included.
- Friendly Tip: Please don't completely tighten the screws during assembly. After all the screws are assembled in place, tighten them together.



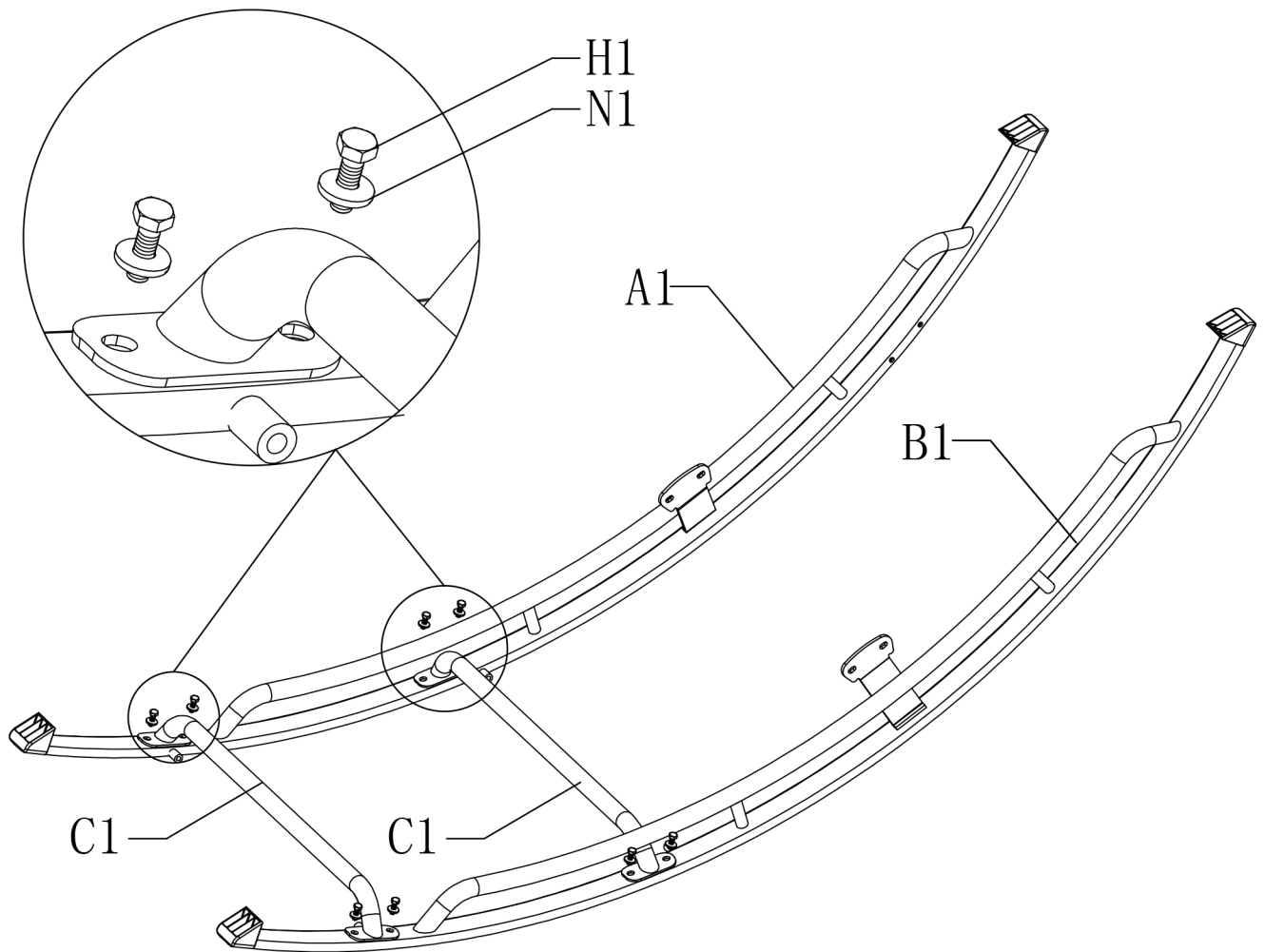
This is the instruction of **2** Lounge Chairs.



Friendly Tip: PLEASE DON'T COMPLETELY TIGHTEN THE SCREWS DURING ASSEMBLY. After all the screws are assembled in place, tighten them together.

Step 1:

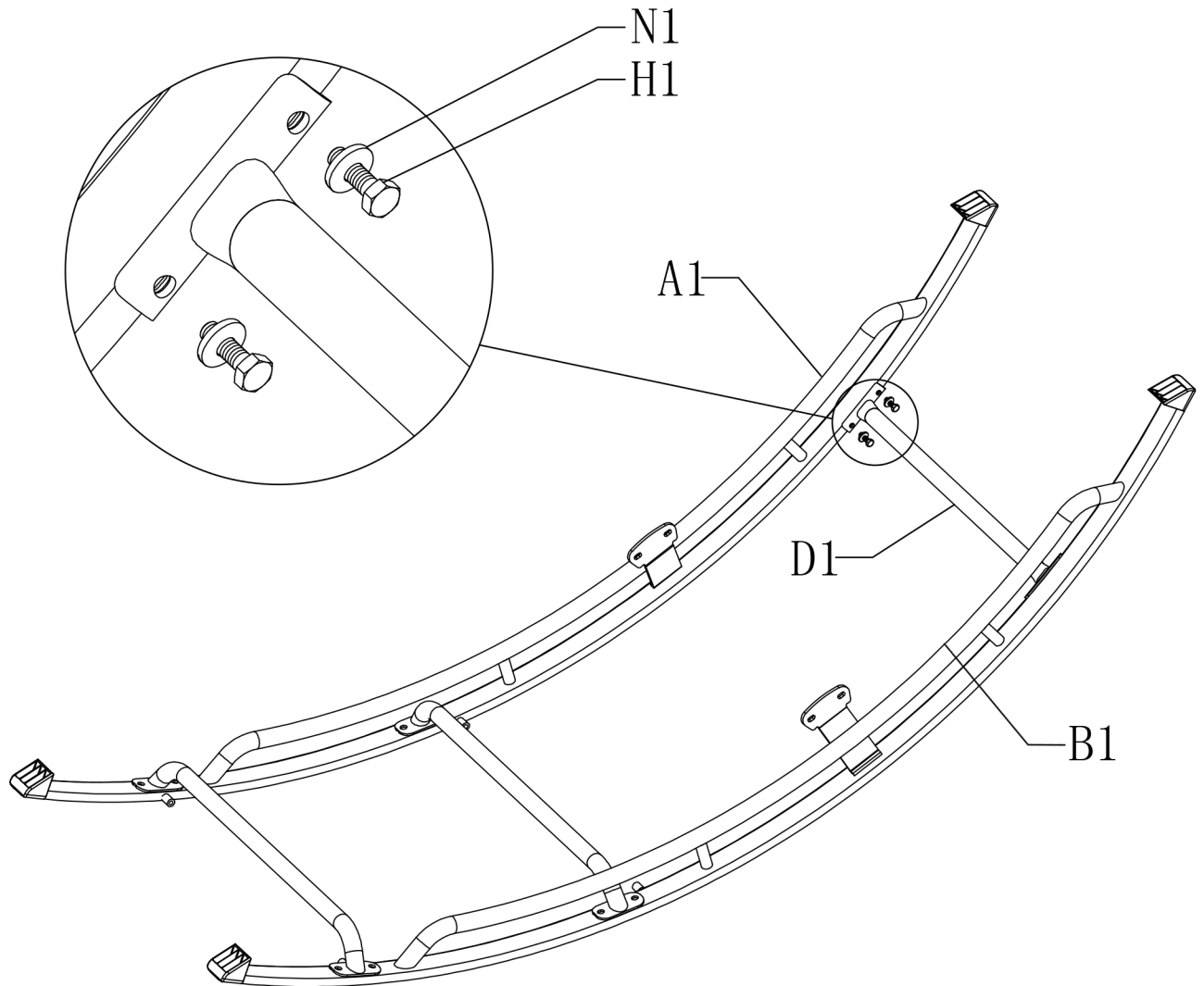
Connect part C1 and part A1 using screws H1, N1 as shown in diagram, then connect part C1 and part B1 in the same way.



Friendly Tip: Please don't completely tighten the screws during assembly. After all the screws are assembled in place, tighten them together.

Step 2:

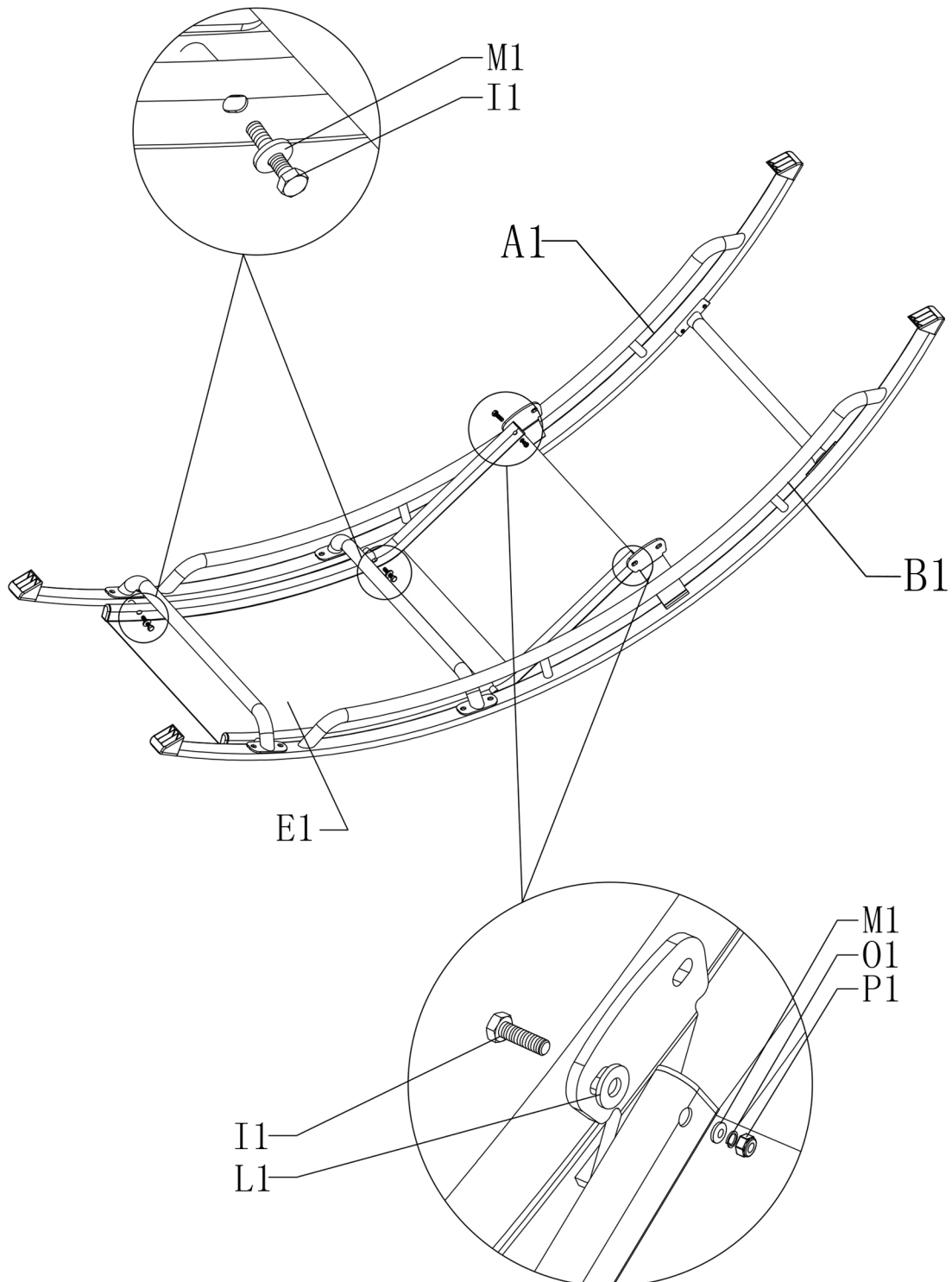
Connect part D1 and part A1 using screws H1, N1 as shown in diagram, then connect part D1 and part B1 in the same way.



Friendly Tip: Please don't completely tighten the screws during assembly. After all the screws are assembled in place, tighten them together.

Step 3:

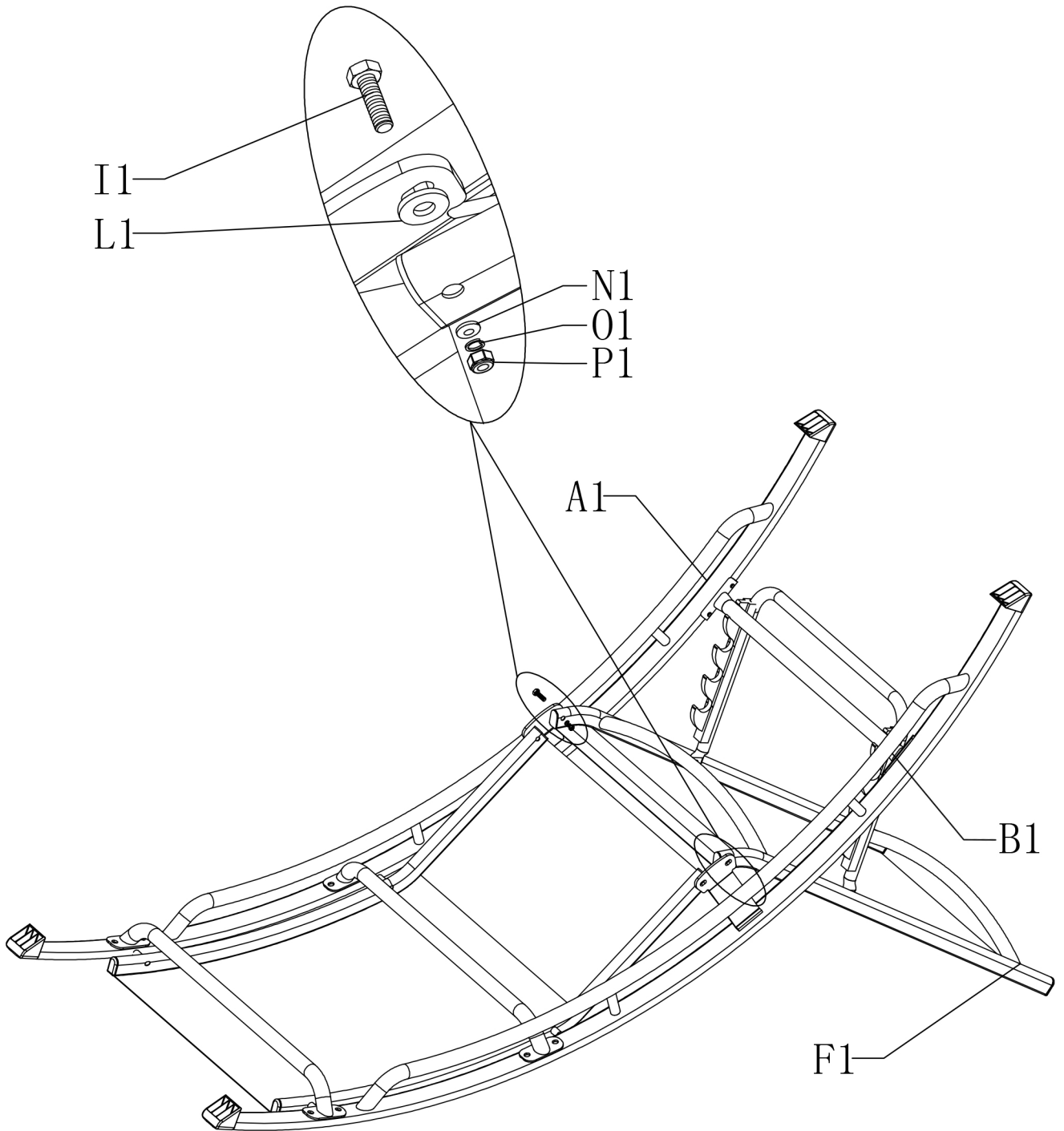
Install part E1 between part A1 and B1 with parts M1, I1. Then put parts I1, L1 & M1, O1, P1 as shown in diagram to reinforce part E1.



Friendly Tip: Please don't completely tighten the screws during assembly. After all the screws are assembled in place, tighten them together.

Step 4:

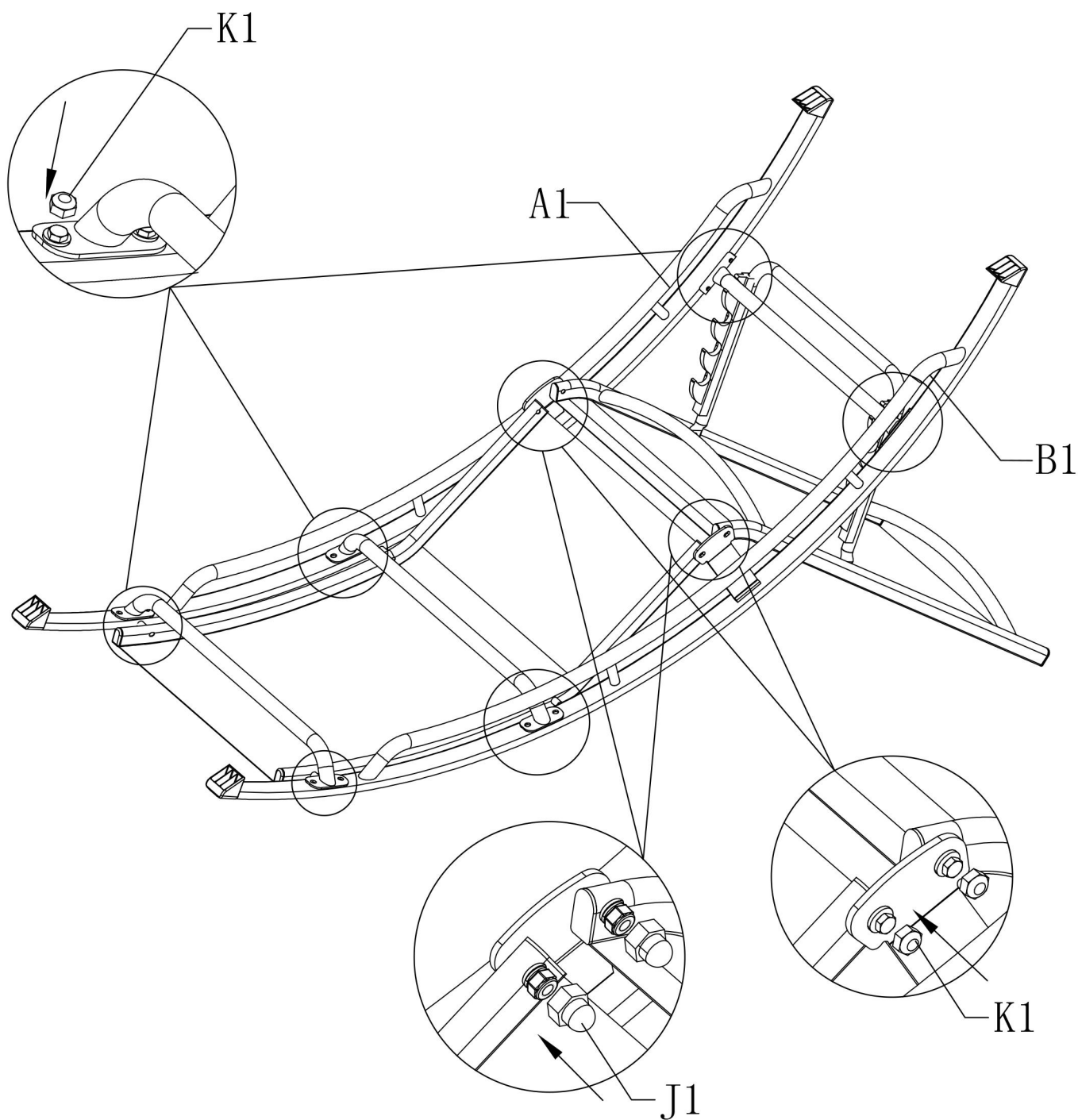
F1 between part A1 and B1 with parts
& N1, O1, P1, J1 as shown in diagram.



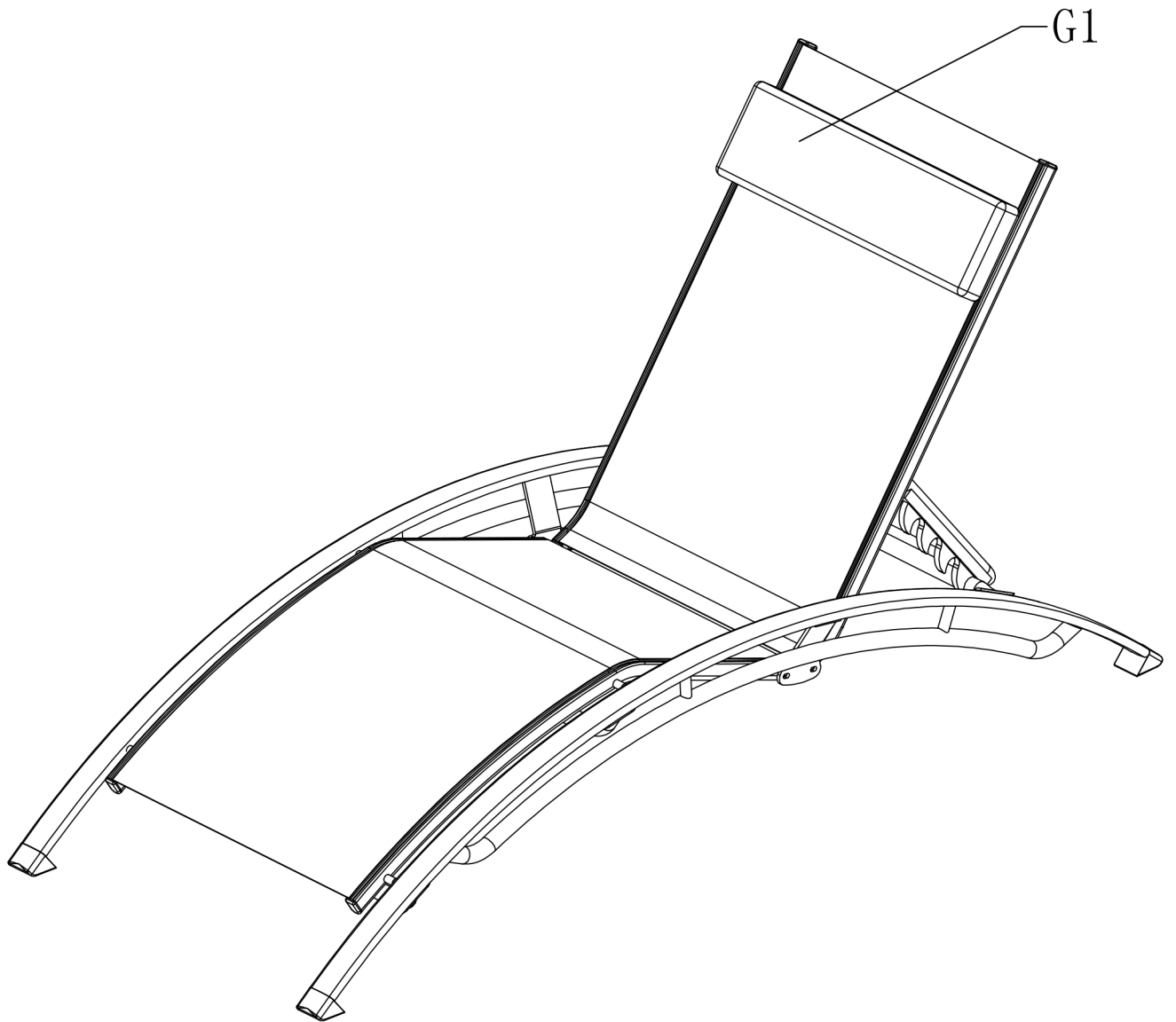
Friendly Tip: Please don't completely tighten the screws during assembly. After all the screws are assembled in place, tighten them together.

Step 5:

all screws are fixed tightly before
1 K1 in the 3 locations as shown.
lounge chair.



Step 6:



A

Table Leg

X2

B

Tabletop

X1

C

M6x30
Bolts

X6

D

Plastic
Caps

X6

E

Metal Flat
Washers

X6

F

AllenKey

X1

①

Connect part B and part A using screws D, C, E.

②

Repeat for other 5 holes.

③

Check to make sure all screws are fixed tightly before use.