



PR2-DUTCH CROWN RACK

Thank you for choosing Enclume!

Enclume racks are the ultimate quality, design, strength and function.

WARNING: READ ALL OF THE INSTRUCTIONS BEFORE ASSEMBLING AND USING YOUR RACK

If you need help, please call 1-877-ENCLUME

Enclume Design Products

24 Colwell Street, Port Hadlock, WA 98339

Phone 360-385-6100 • Fax 360-385-6156

www.enclume.com

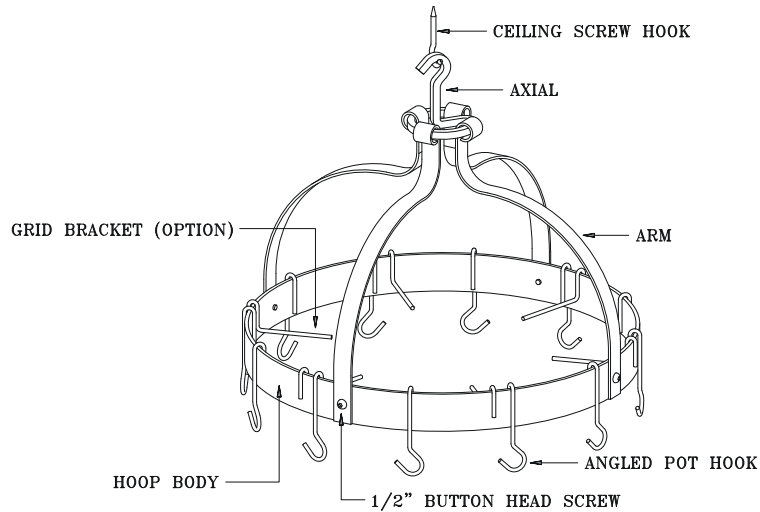
Enclosed you will find everything needed for the assembly and use of your storage rack. Two people make assembly and installation easier. The parts and hardware included are:

Hardware included:

- 4 -3/8" x 1/2" Button Head Screws
- 1 - Ceiling Screw Hook
- 1 -7/32" Allen Wrench
- 12 -Angled pot hooks
- Toggler Kit

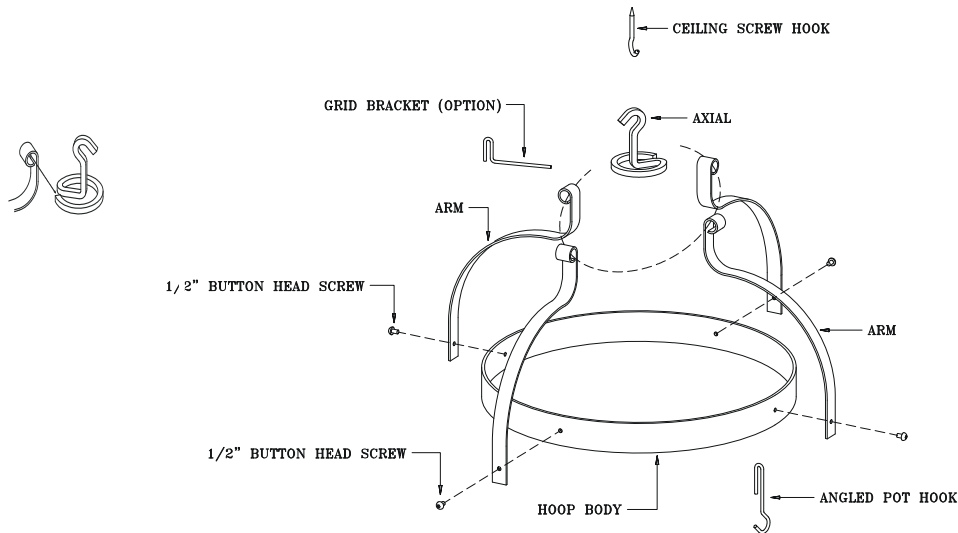
Components included:

- 1 -Hoop Body
- 4 -Arm
- 1 -Axial
- 1 - Grid
- 6 -Straight Pot Hooks
- 4 -Grid Brackets



See reverse side for ASSEMBLY AND INSTALLATION INSTRUCTIONS

ASSEMBLY AND INSTALLATION INSTRUCTIONS for PR2



Rack Assembly

- 1) If your rack is plated it is best to keep the tissue on during installation to avoid fingerprinting.
- 2) Thread the axial **through** the roll at the top of each of the four arms.
- 3) Hold the axial and arms over the hoop body. Place the base of the arms over the outside of the hoop body. Attach the two together with the 1/2" button head screws, leaving the screws loose.
- 4) Arrange the axial so that it is level and the arms are symmetrical.
- 5) Tighten the screws. The assembly of your rack is now complete.
- 6) We recommend that you anchor your rack into the solid wood of ceiling joists or beams. Carefully measure the area where the rack is to be hung and install the ceiling screw hooks directly into the wood joists. If it is not convenient to hang your rack directly into wood joists you may use the included DRYWALL anchors enclosed with your rack. See Toggler® brand manufacturer recommendations for weight limits included in the instructions in the Toggler kit.
- 7) Distribute the weight of your cookware evenly around the hoop.

Grid Assembly

- 1) Slip the grid brackets over the hoop, placing one near each hole where the arms will attach.. The "L" portion should point to the inside of the circle.
- 2) Place the grid on the brackets and adjust it so that it rests evenly on all four brackets and doesn't wobble.
- 3) Hang your pot hooks from the interior squares only. **Do not** hang them from the perimeter or the cut portions of the grid. Distribute your cookware evenly.
- 4) The grid has been treated with a finish which will resist corrosion and tarnish. It can be cleaned with a damp cloth and dried thoroughly. Please do not use abrasive cleaners.



It is important that your rack is assembled correctly. If the unit is assembled or used incorrectly, it could become unstable and collapse, possibly causing injury.

Limited Warranty: This product is warranted to be free of material defects for a period of five years from the date of purchase. Customer's exclusive remedy shall be the repair or replacement of the defective product and shall be subject to the following conditions: (1) notice of any defect is received by Enclume within the warranty period and (2) customer returns the defective product to Enclume Design Product, 24 Colwell St., Port Hadlock WA 98339, *postage prepaid* within 20 days following a return authorization number (which may be obtained by telephoning the number at the top of this instructions) being provided to the customer by Enclume. There are no other warranties, expressed or implied. **THERE ARE NO WARRANTIES OF MERCHANTABILITY OR FITNESS FOR A PARTICULAR PURPOSE. ENCLUME SPECIFICALLY DISCLAIMS ANY AND ALL INCIDENTAL OR CONSEQUENTIAL DAMAGES ARISING OUT OF THE PURCHASE OR USE OF ENCLUME'S PRODUCTS.**