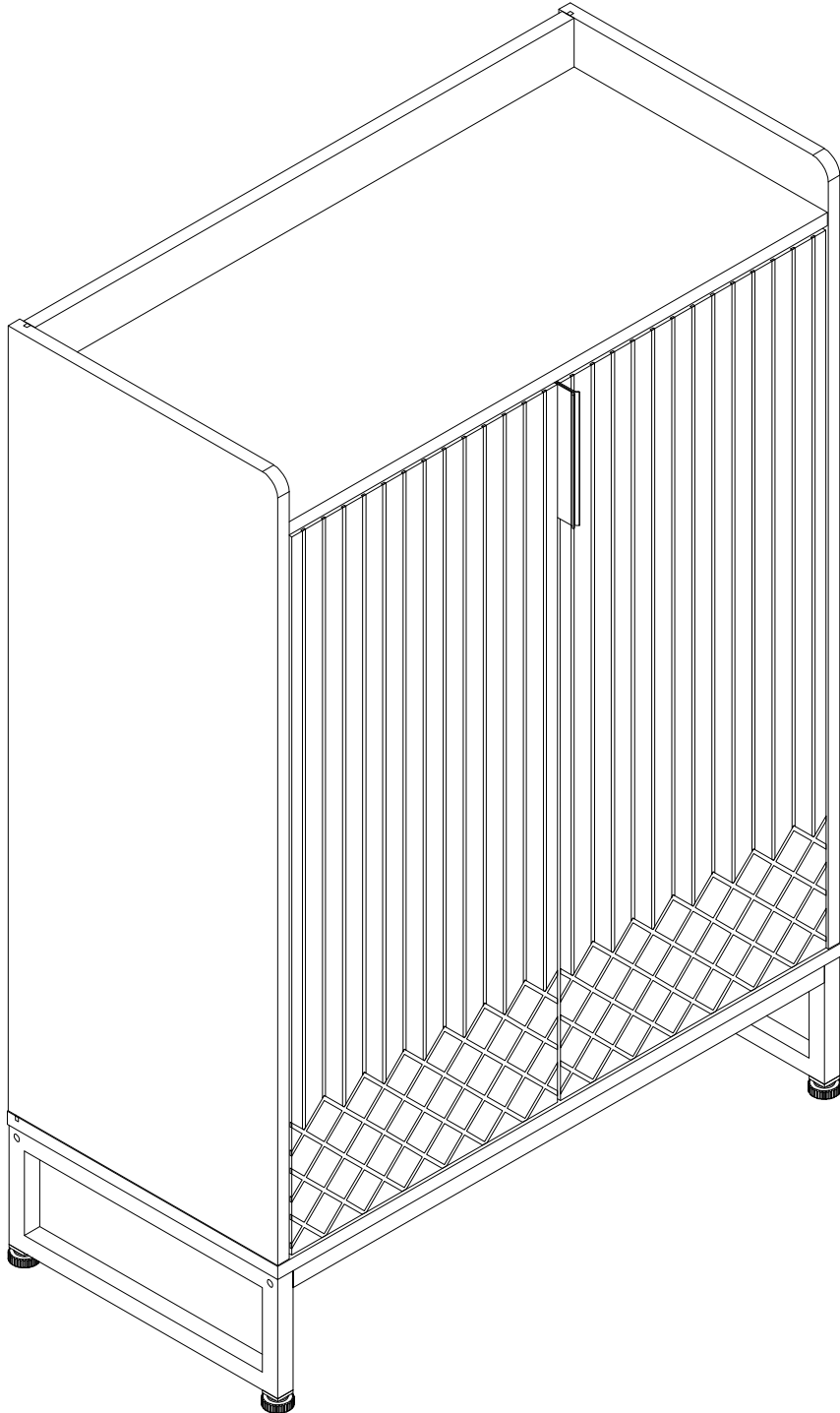


# Assembly Instructions



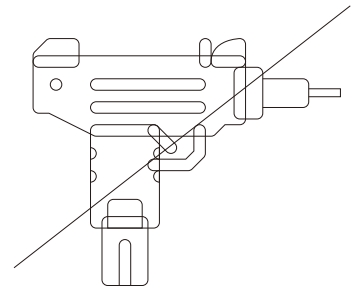
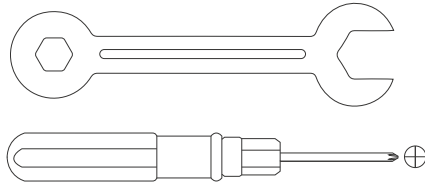
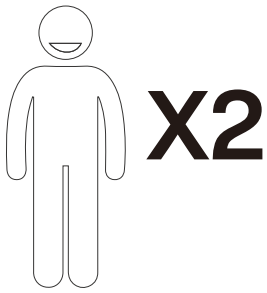
# Contact Us

## We're here to help you.

Your satisfaction is our top priority. If you encounter any issues with this product, such as missing or damaged parts, we're here to help. Please retain the original packaging and take photos of the packaging and the product, then contact us as soon as possible.

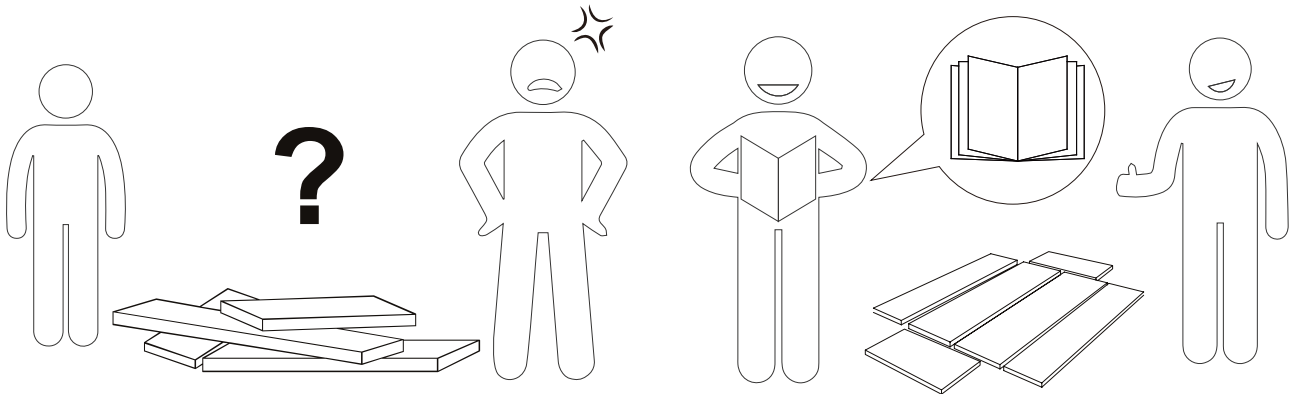
### Warm Tips

1. Carefully read these instructions and keep them for future reference.
2. Check the parts list and confirm everything's there before starting assembly.
3. When assembling, put all parts on a soft, smooth surface like a carpet to avoid scratches.
4. Don't fully tighten screws until all parts are confirmed in place to avoid misalignment.



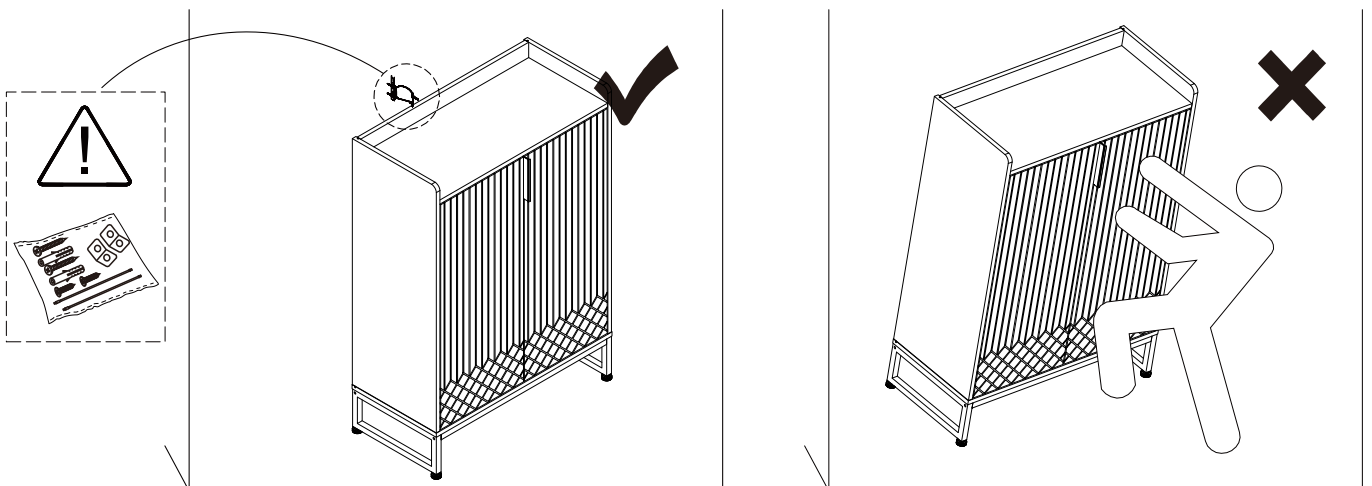
We recommend using hand tools for assembly.

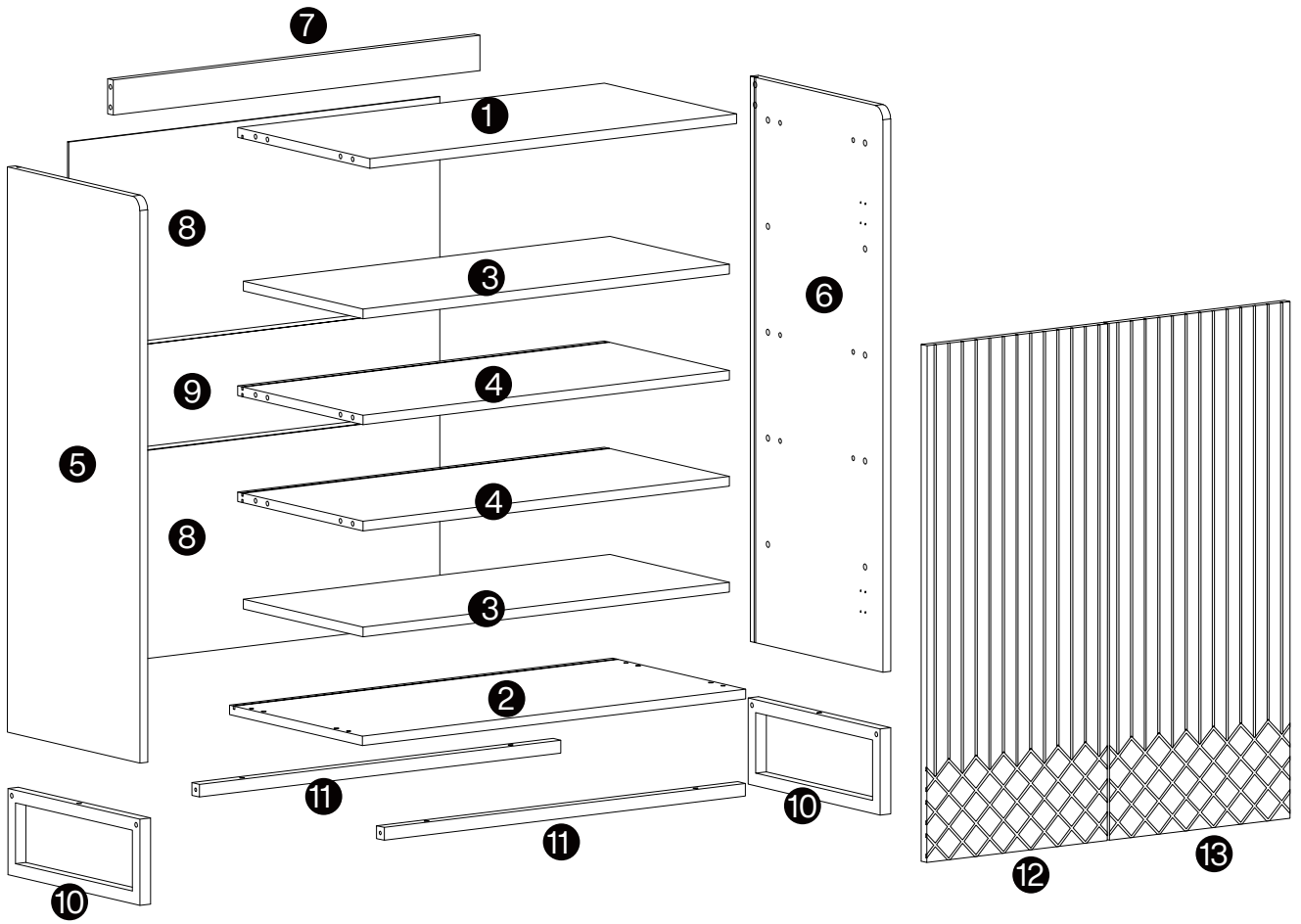
If an electric screwdriver is used, reduce power and torque to avoid damage to the product.



## Install the Anti-Tip Straps

Using the anti-tip straps can reduce the risk of tipping over, but can not eliminate it.

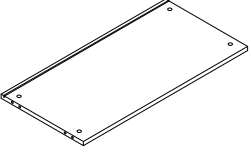
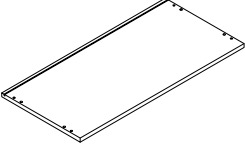
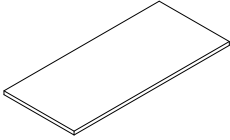
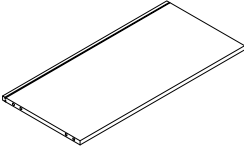
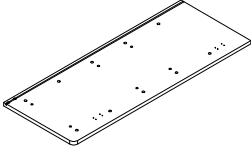
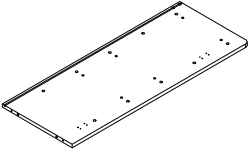
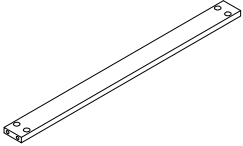
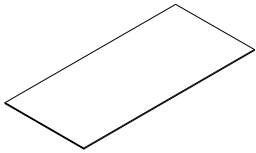
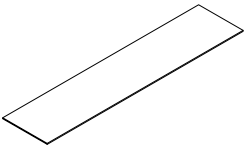
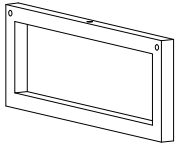
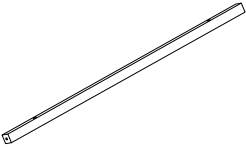
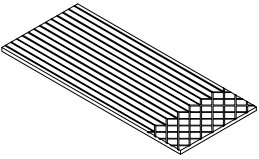
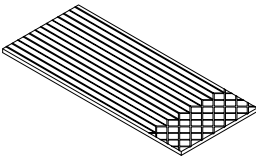













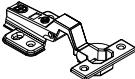




**⚠ Caution**

Make sure all parts are included. Most board parts are labeled or stamped on the raw edge. Contact us for a free replacement if you encounter any damaged or missing parts.

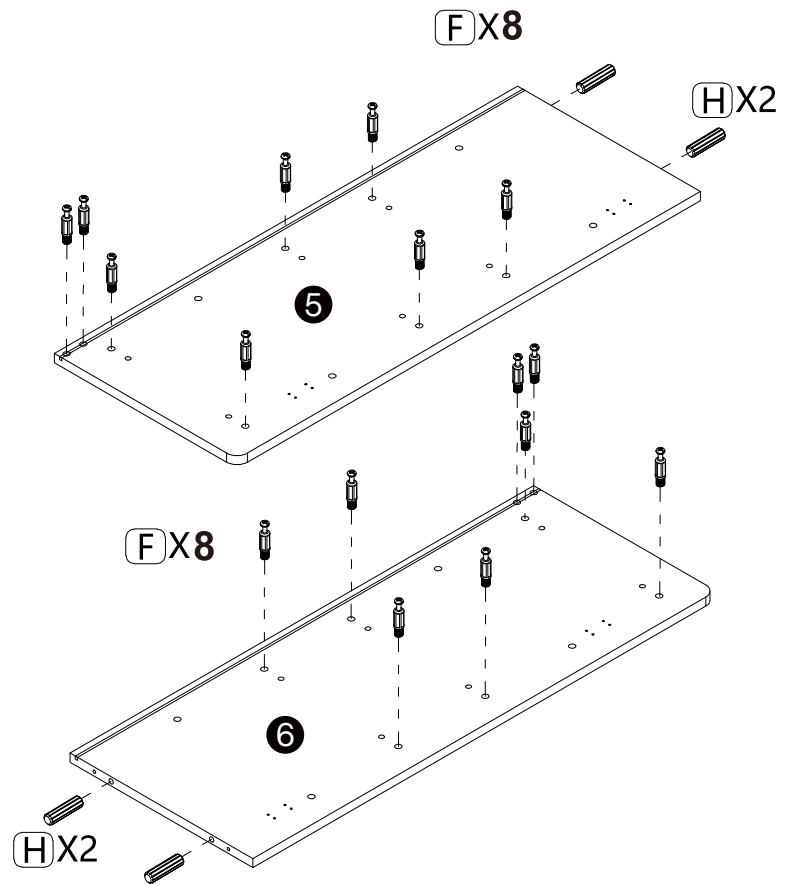
# Parts List

				
<b>1</b> 1pc	<b>2</b> 1pc	<b>3</b> 2 pcs	<b>4</b> 2 pcs	<b>5</b> 1pc
				
<b>6</b> 1pc	<b>7</b> 1pc	<b>8</b> 2 pcs	<b>9</b> 1pc	<b>10</b> 2 pcs
				
<b>11</b> 2 pcs	<b>12</b> 1pc	<b>13</b> 1pc		

# Hardware List

						
<b>A</b> 4 pcs	<b>B</b> 6 pcs	<b>C</b> 4 pcs	<b>D</b> 2 pcs	<b>E</b> 28 pcs	<b>F</b> 16 pcs	<b>G</b> 16 pcs
						
<b>H</b> 16 pcs	<b>I</b> 4 pcs	<b>J</b> 4 pcs	<b>K</b> 2 pcs	<b>L</b> 8 pcs	<b>M</b> 1 pc	<b>N</b> 18 pcs

# 1

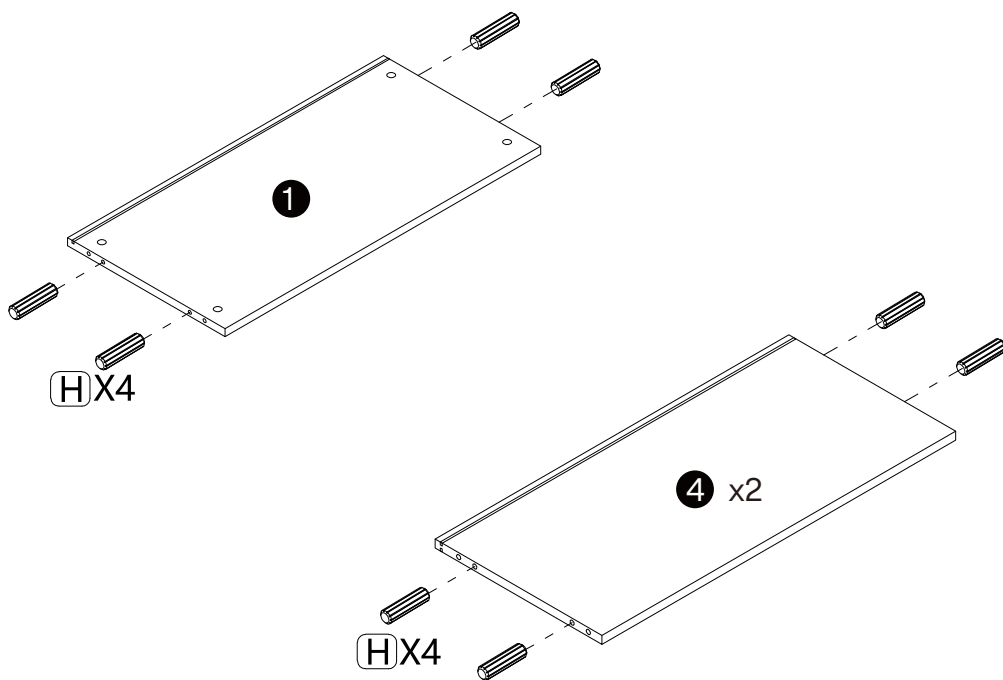


F  
16 pcs



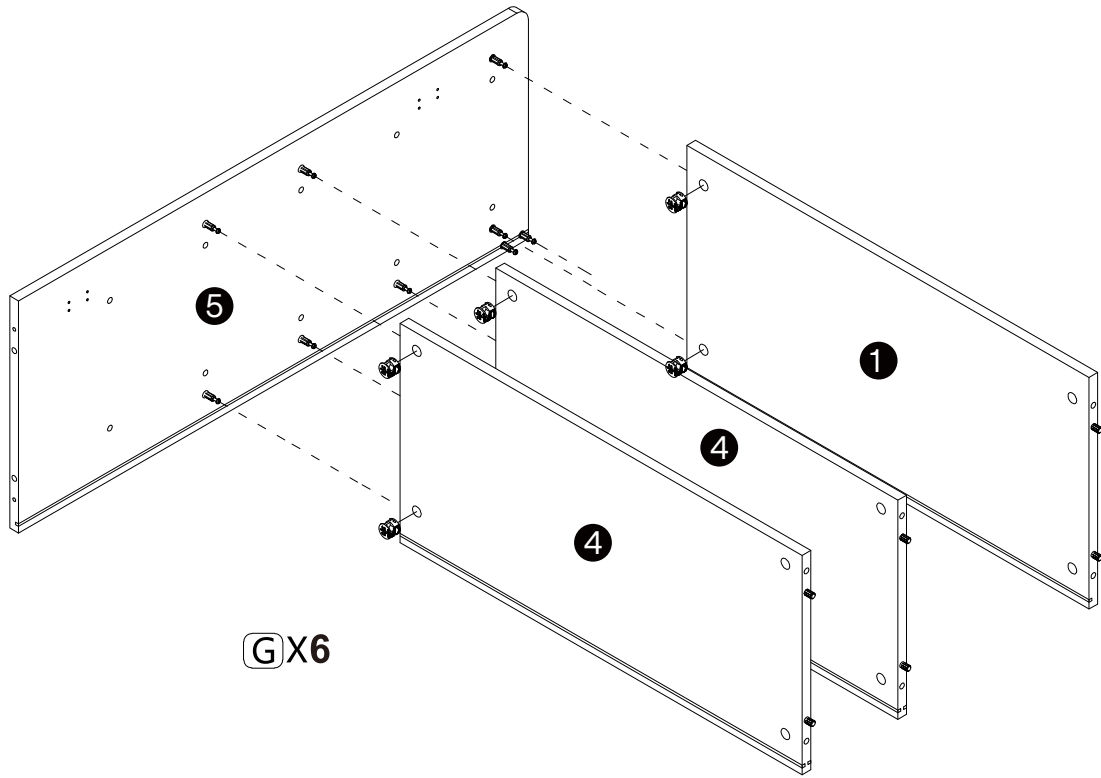
H  
4 pcs

# 2



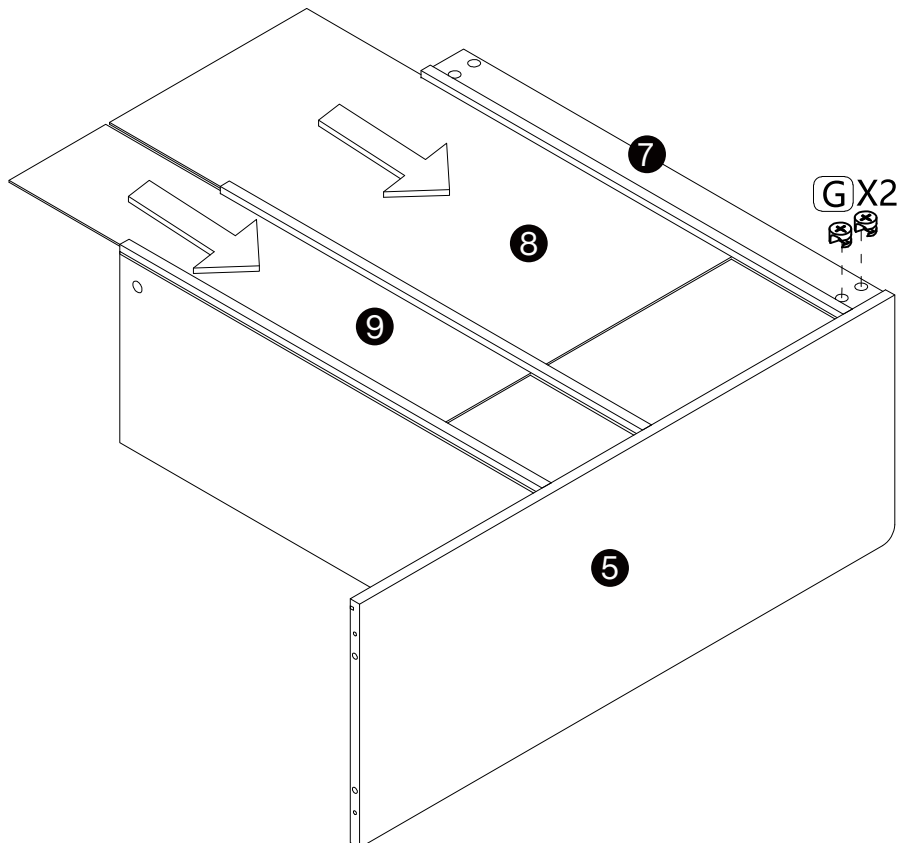
H  
12 pcs

3



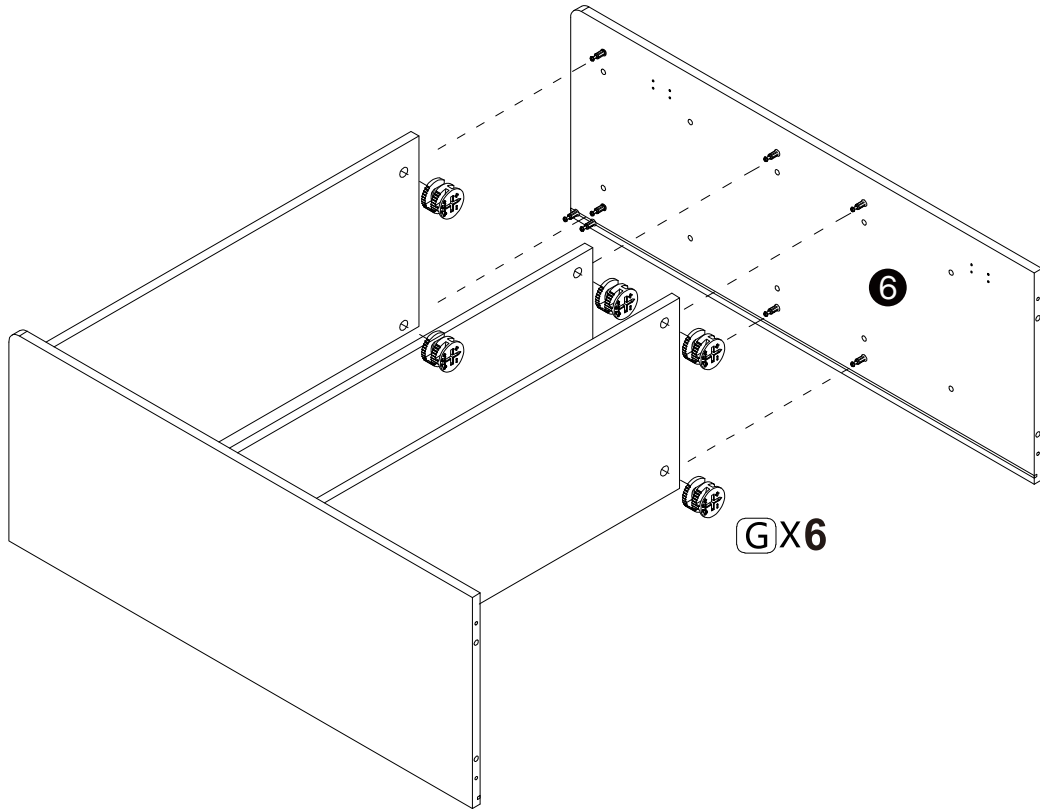
G  
6 pcs

4



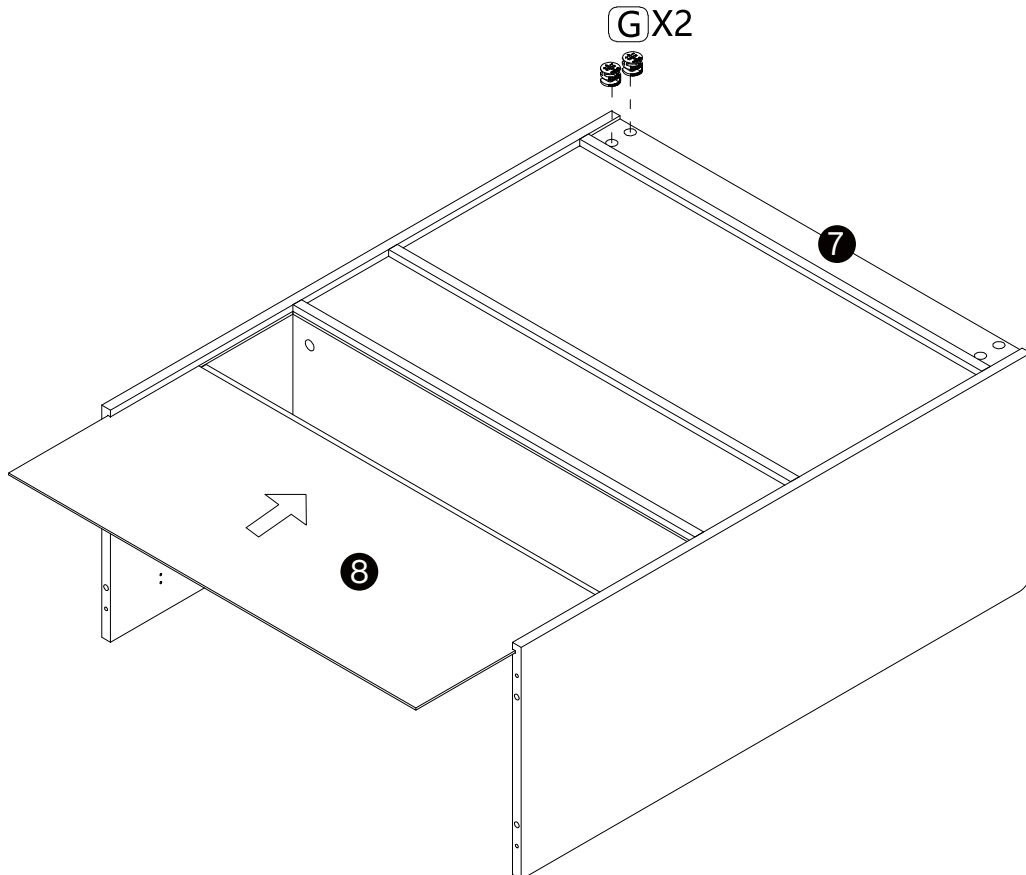
G  
2 pcs

5



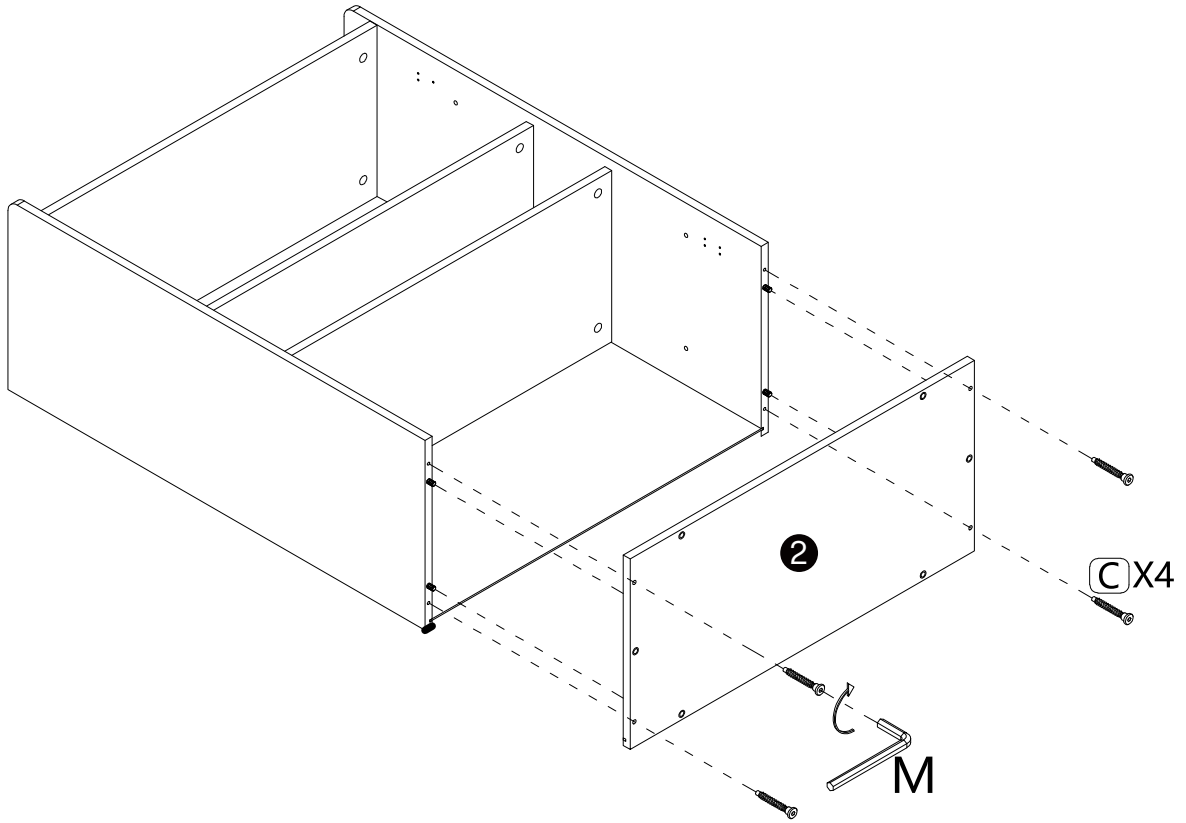
G  
6 pcs

6



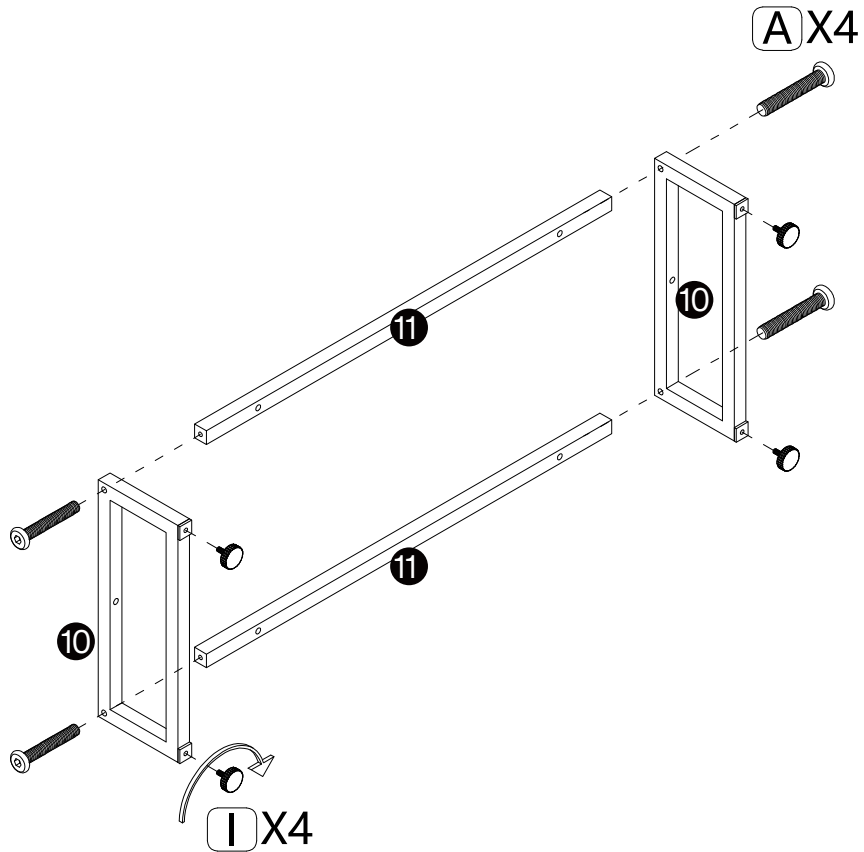
G  
2 pcs

7



C  
4 pcs

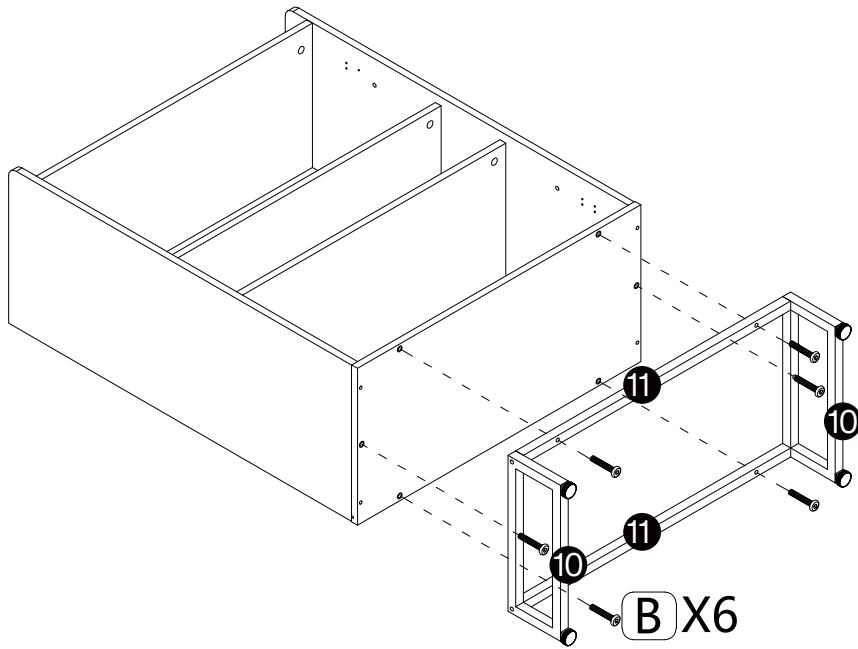
8



A  
4 pcs

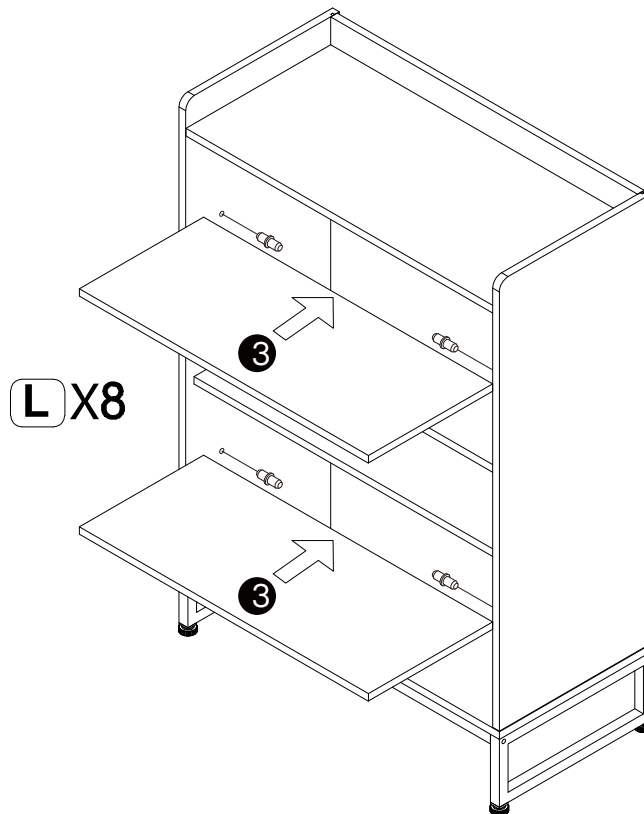
I  
4 pcs

9



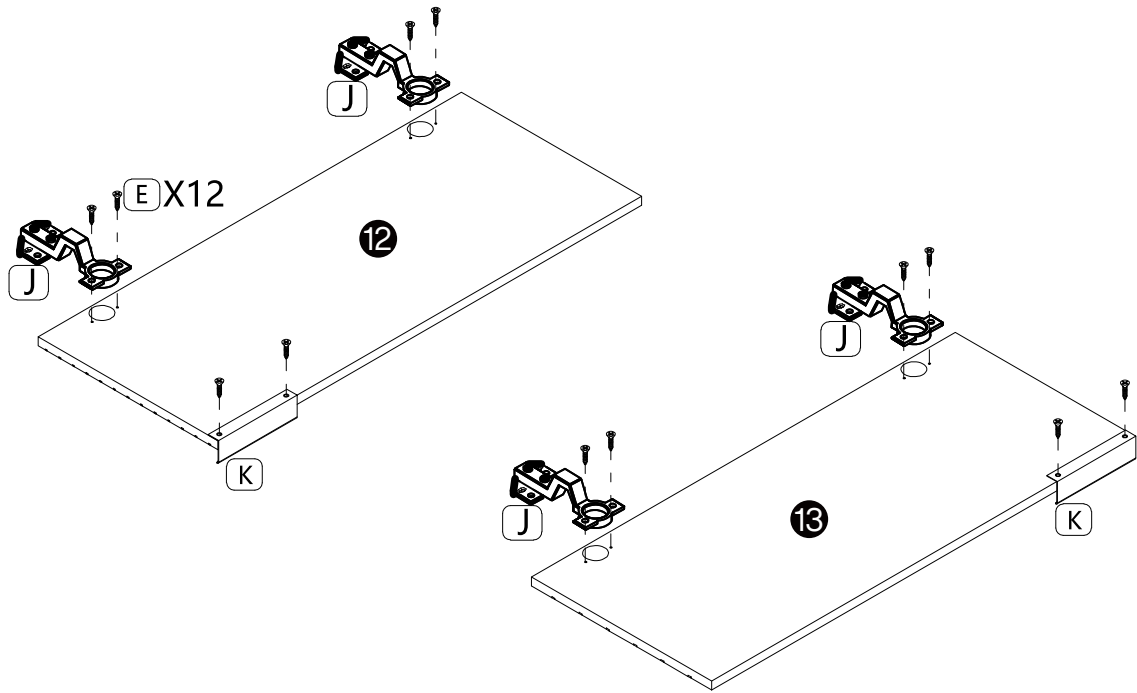
B  
6 pcs

10

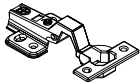


L  
8 pcs

# 11



E  
12 pcs

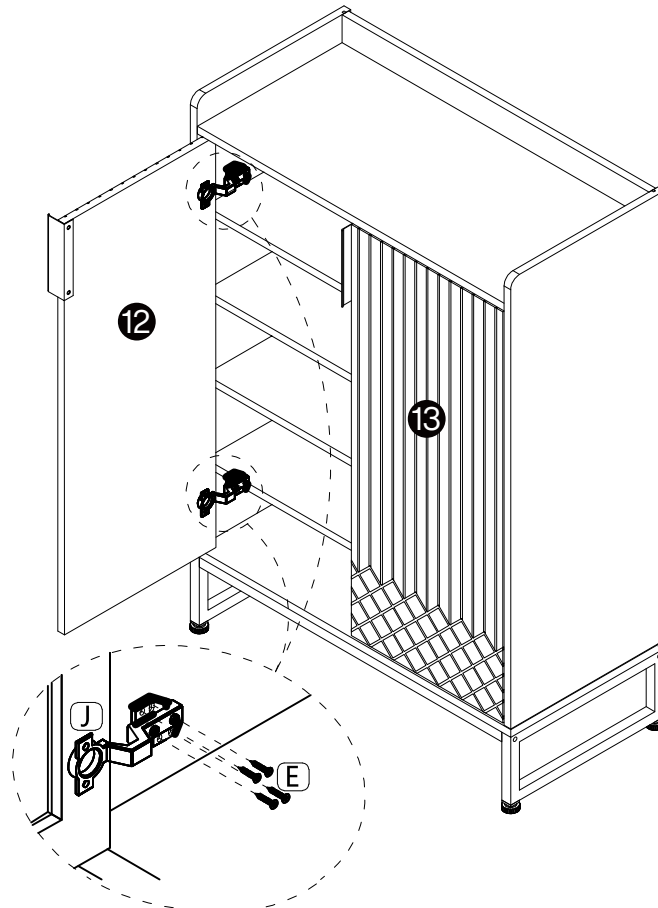


J  
4 pcs



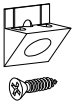
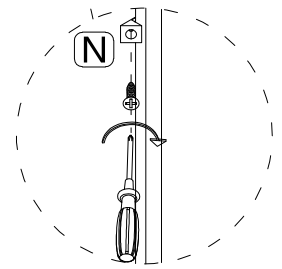
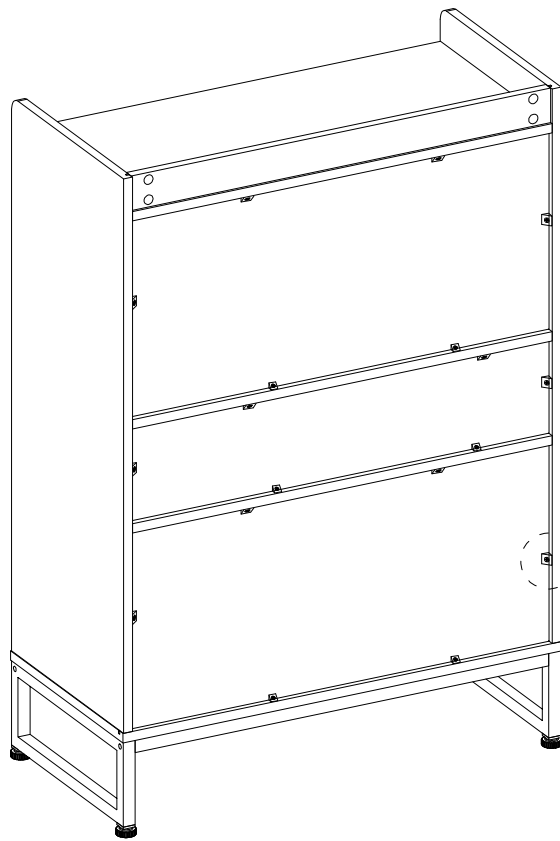
K  
2 pcs

# 12



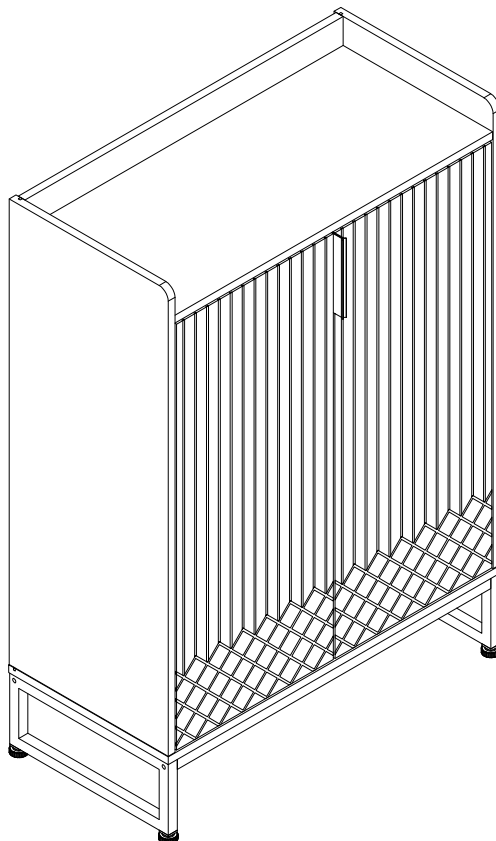
E  
16 pcs

13



N  
18 pcs

14

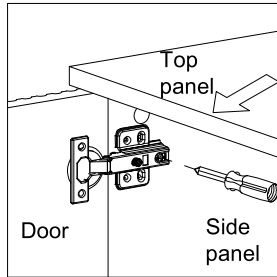


# 15

## TO ADJUST YOUR DOORS TO MAKE THE GAPS MORE EVEN (OPTIONAL).

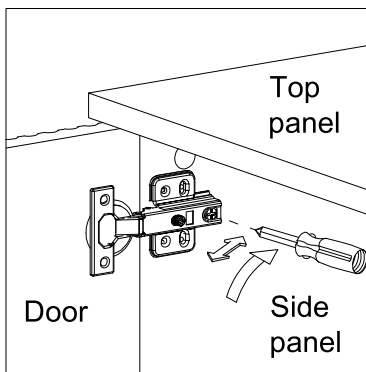
### STEP 1

Open the door.



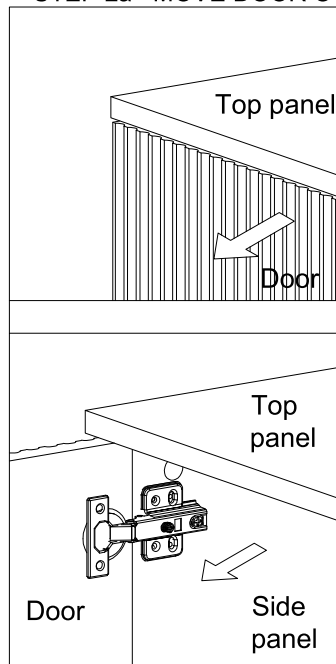
### STEP 2

Adjust the door panel to be flush with side panel and top panel edge.



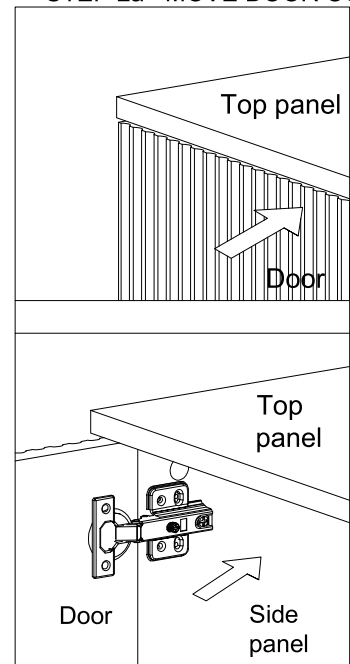
Loosen the screw indicated a little, adjust the hinge to right position (see step 2a & 2b), then tighten the screw.

#### STEP 2a MOVE DOOR OUT



Pull the hinge forward a little.

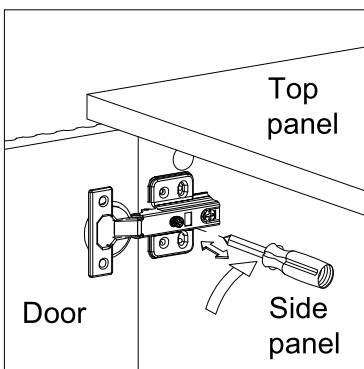
#### STEP 2a MOVE DOOR OUT



Pull the hinge forward a little.

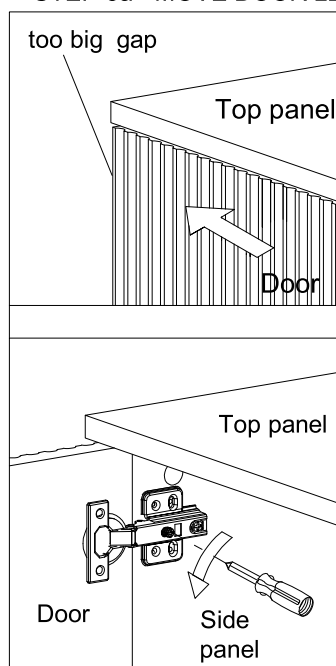
### STEP 3

Adjust the gap between door panel and side panel.



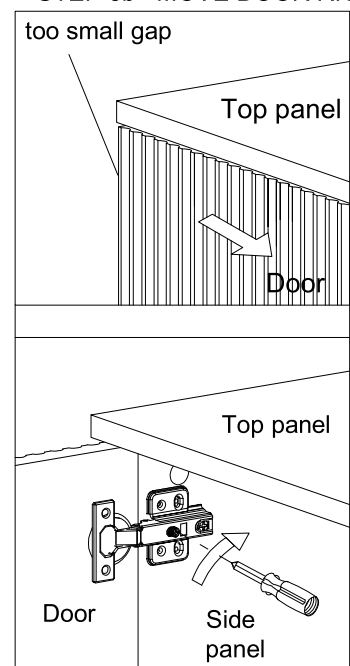
Loosen or tighten the screw indicated a little to adjust the gap between the door panels, adjust the hinge to right position (see step 3a & 3b).

#### STEP 3a MOVE DOOR LEFT



Turn the screw clockwise a little as shown to make the gap small.

#### STEP 3b MOVE DOOR RIGHT



Turn the screw counterclockwise a little as shown to make the gap big.



Plastic anchor  
M4x30

x2



M4x30

x2



M4x14

x2



Plastic connectors

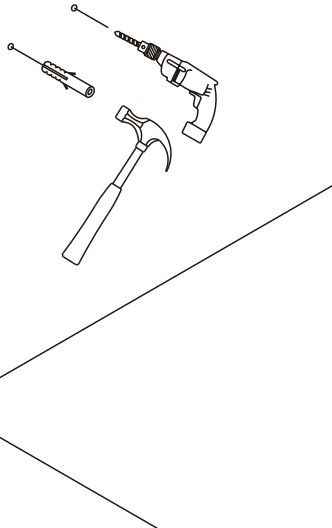
x4



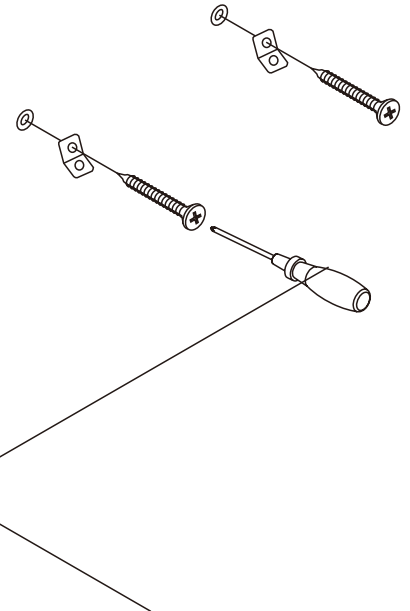
Nylon Strap

x2

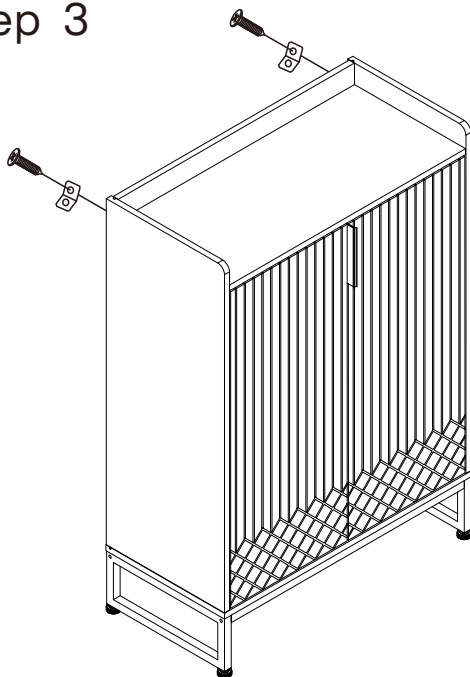
### Step 1



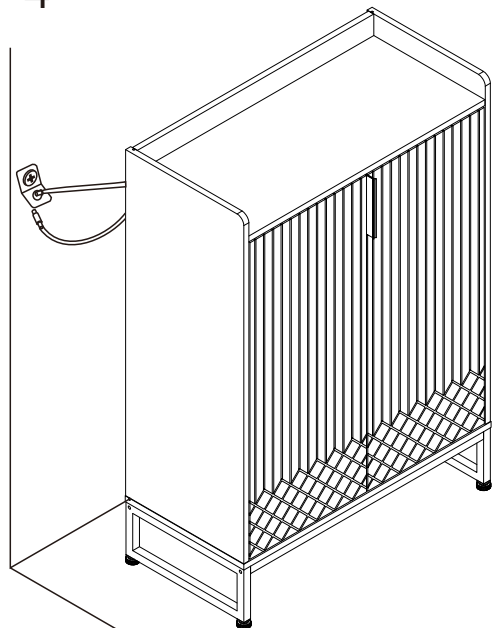
### Step 2



### Step 3



### Step 4



**Thank you for your support!**

