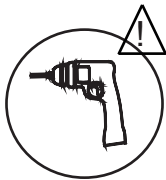


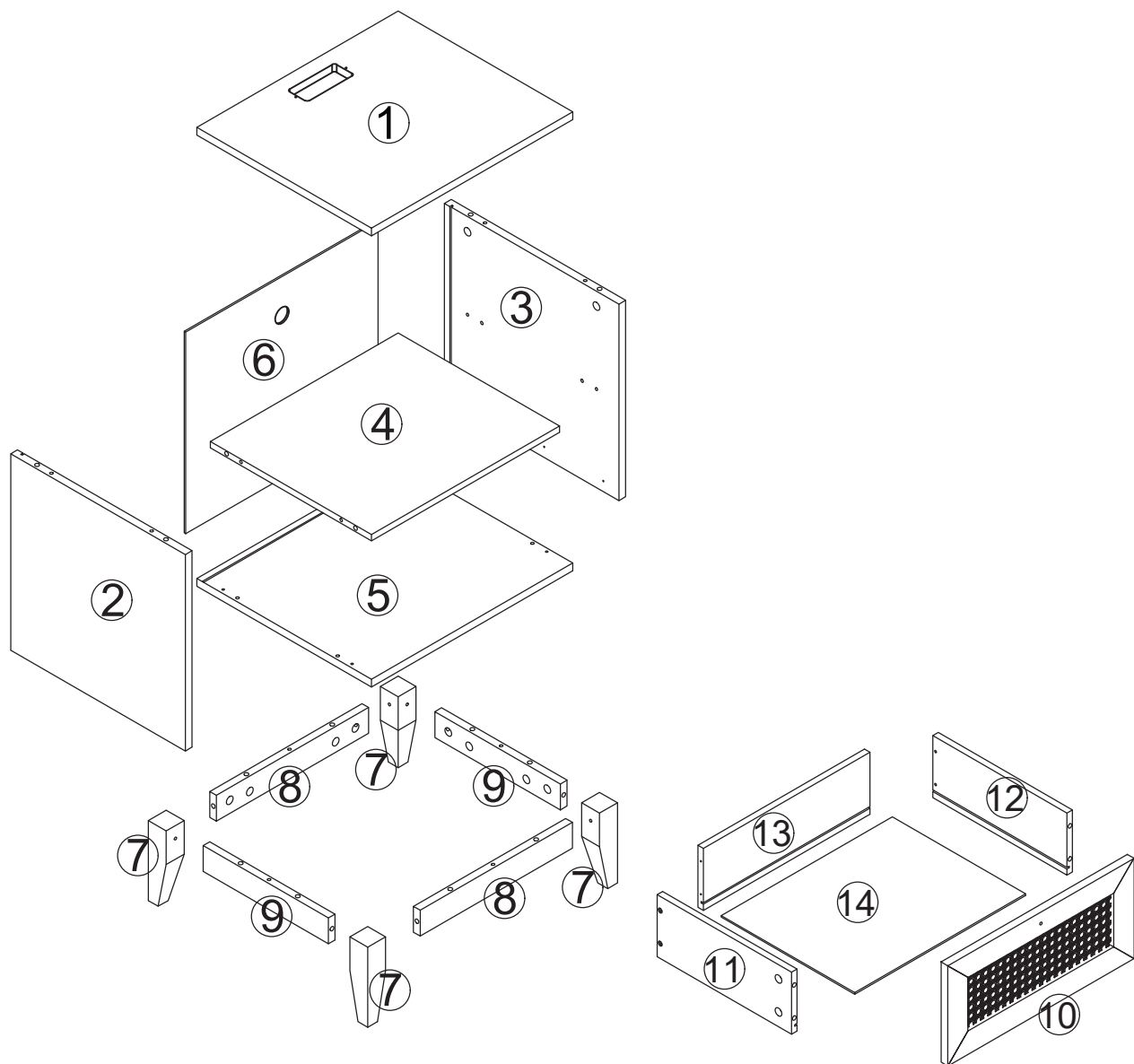
**CAUTION:**When tightening the screws,tighten sequentially.Do not tighten any screws fully and then towards the next one.When every part is OK, then tighten all the screws.



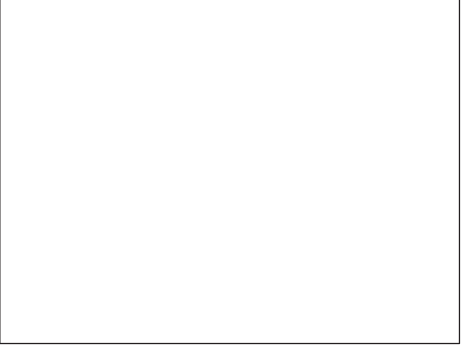
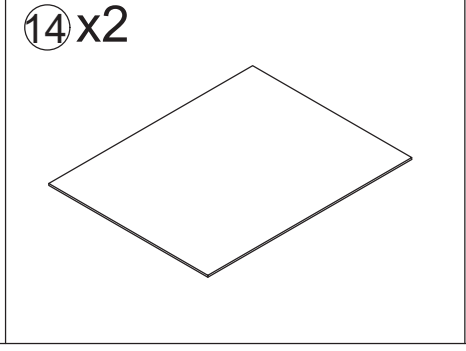
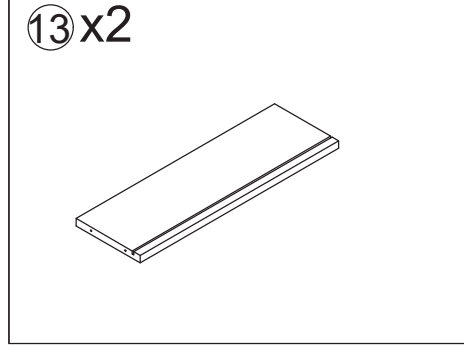
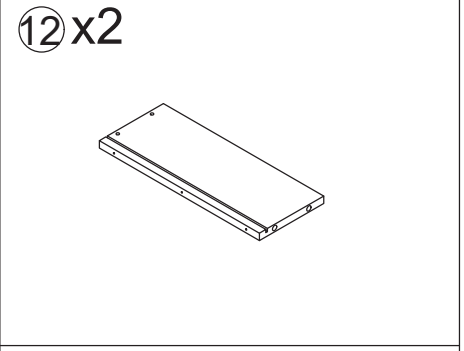
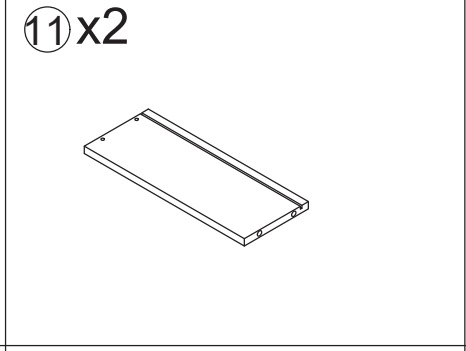
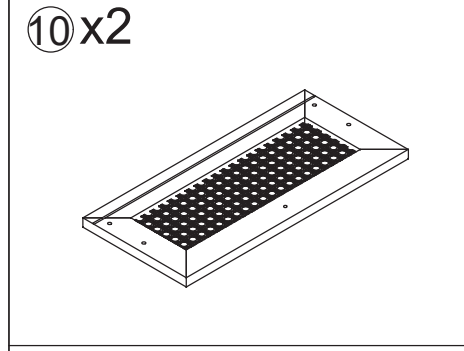
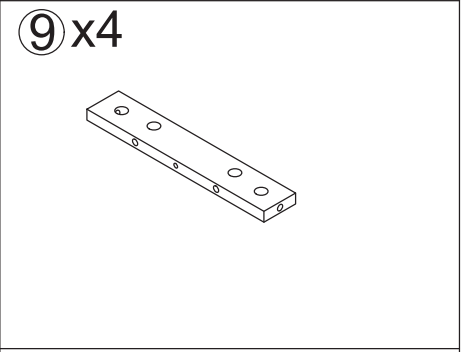
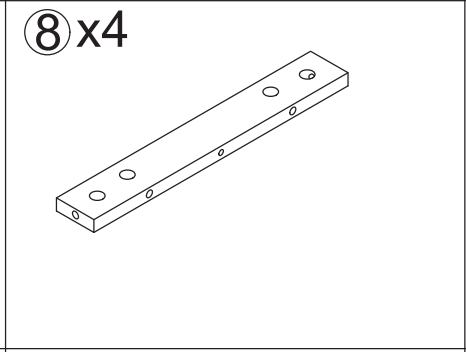
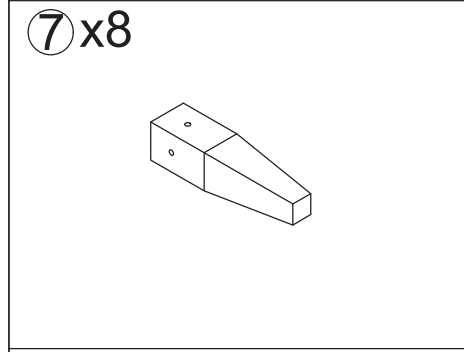
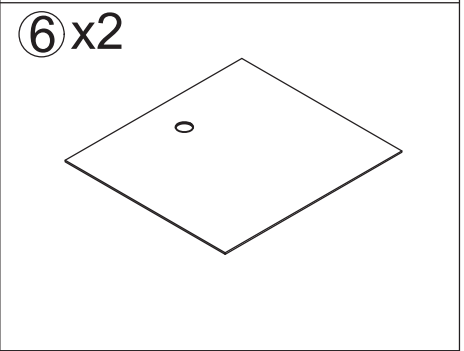
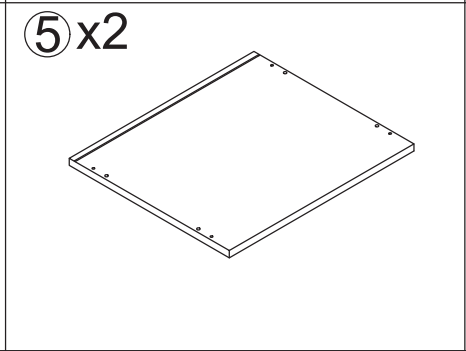
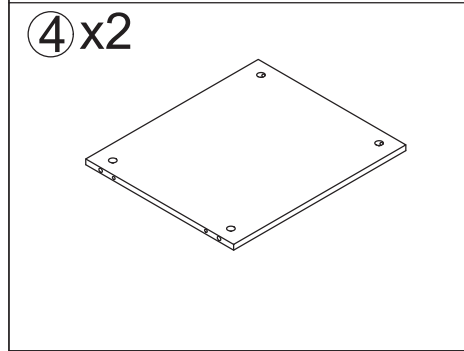
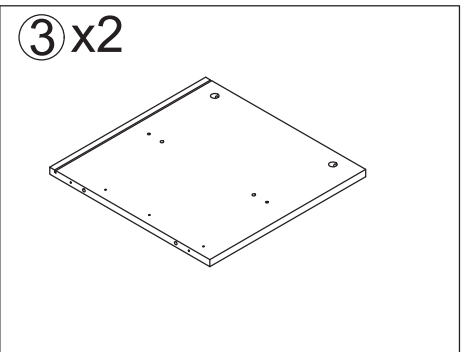
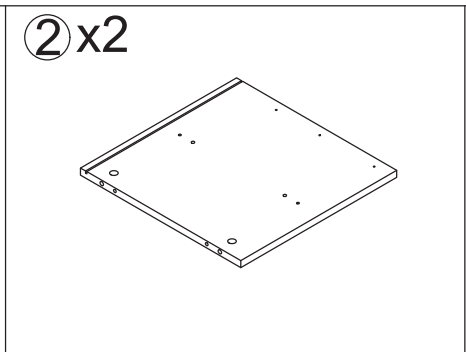
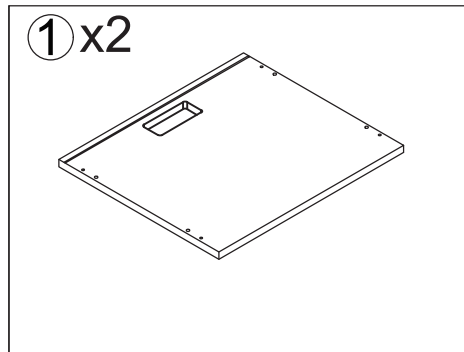
PLEASE BE CAREFUL DO NOT DAMAGE THE HOLE POSITION WHEN YOU USE POWER TOOLS !

If there are any missing parts, please contact us, and we will send you a brand new replacement.

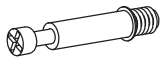
We also offer an exclusive one-month service where we provide product replacements without the need for repairs, as long as the damage is not caused by human error.



x2



A X28(+2)



Ø6x35mm

B X28(+2)



Ø15x10mm

C X16(+1)



Ø6x30mm

D X12(+1)



Ø3x12mm

E X9(+1)



Ø4x35mm

F X4

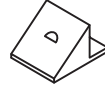


G X4(+1)



Ø3x16mm

H X4(+1)



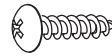
I X1



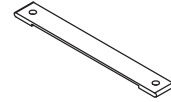
J X1



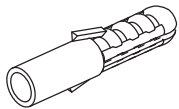
L X1



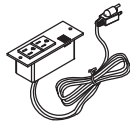
M X1



O X1



P X1



Q X2



CL X1



L300mm

CR X1



L300mm

DL X1



L300mm

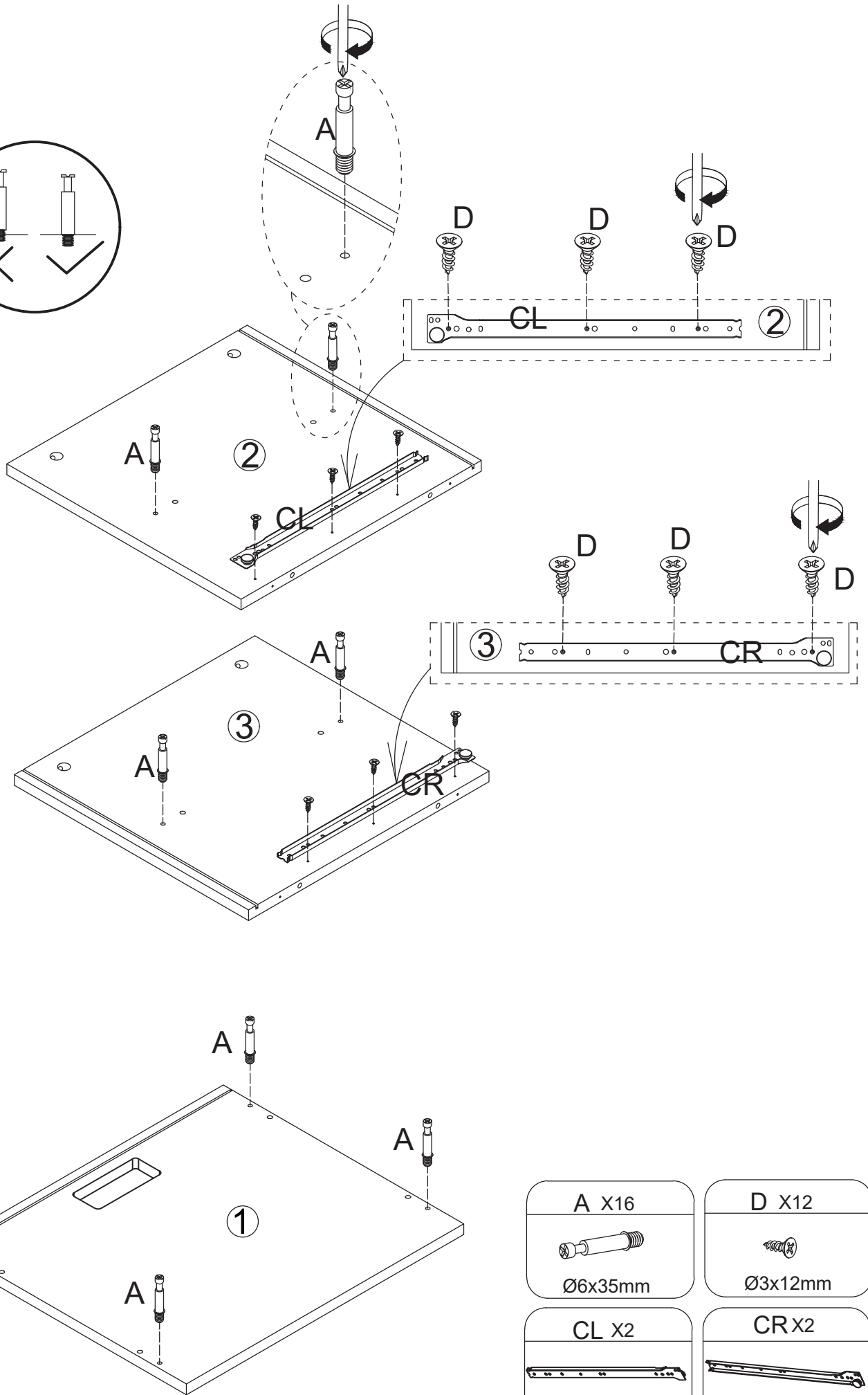
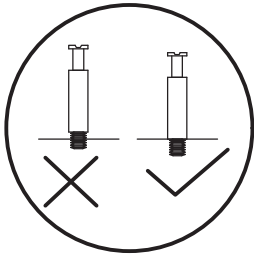
DR X1

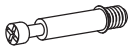



L300mm


x2


1 x2

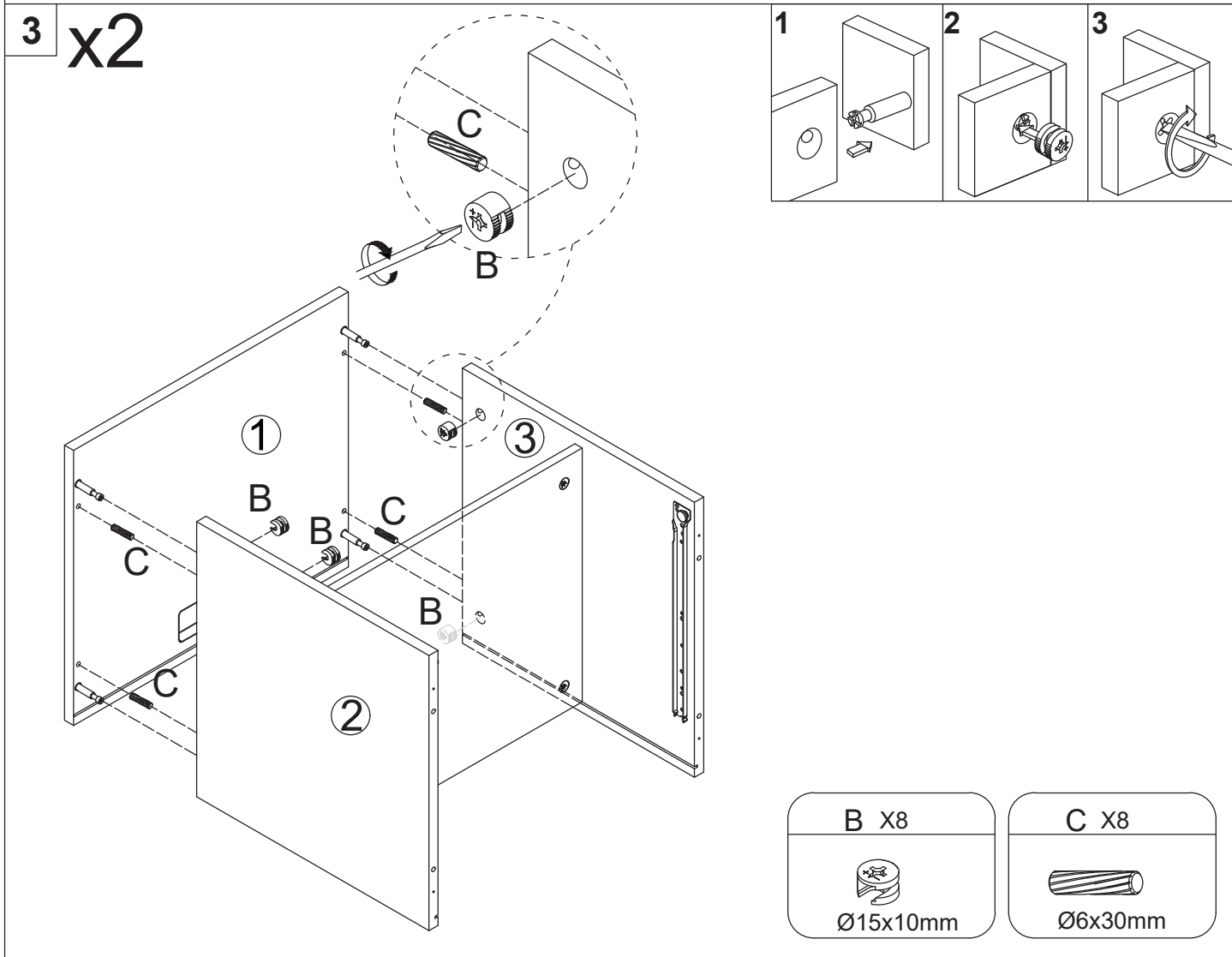
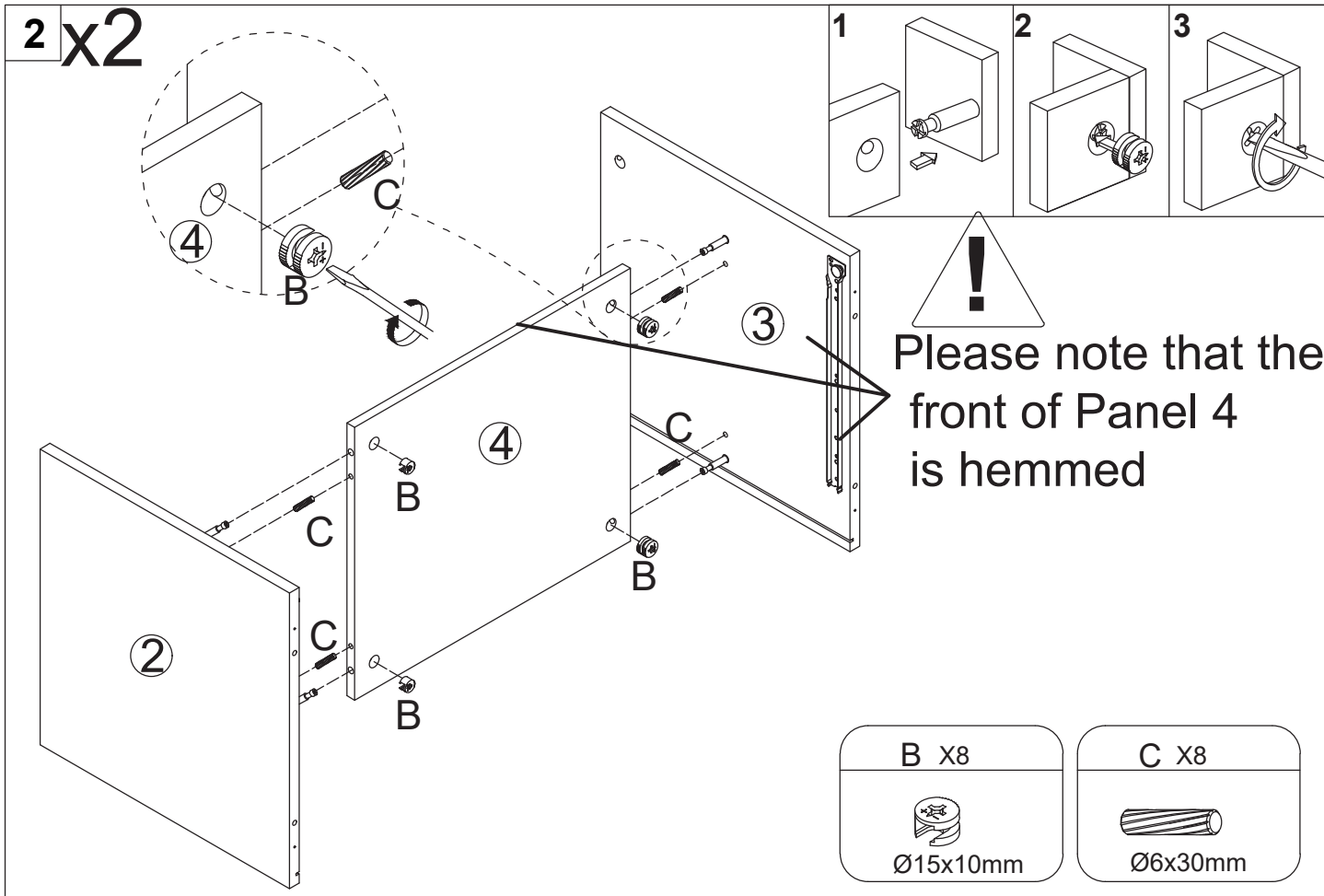


A X16

Ø6x35mm

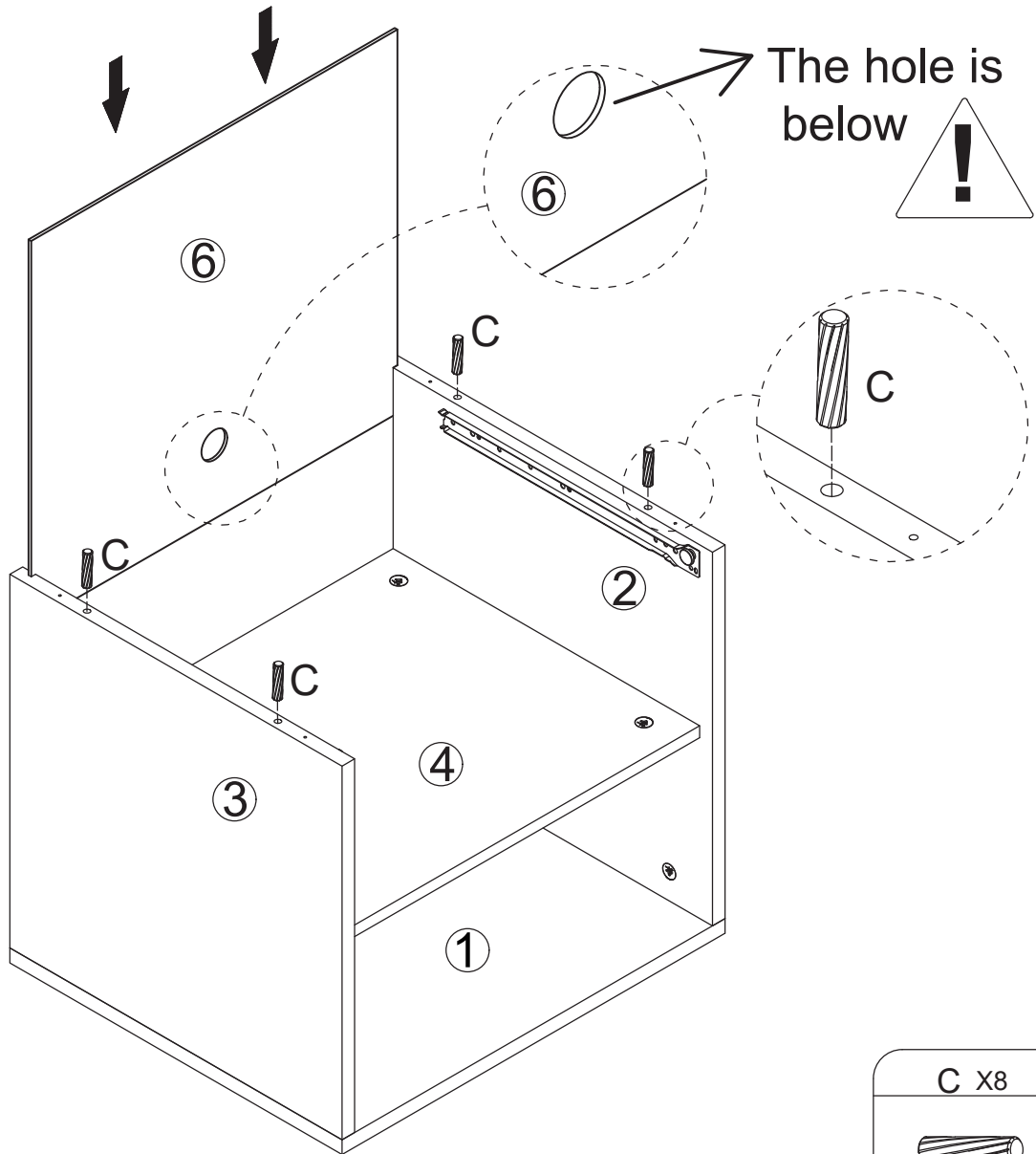
D X12

Ø3x12mm


CL X2

L300mm

CR X2

L300mm

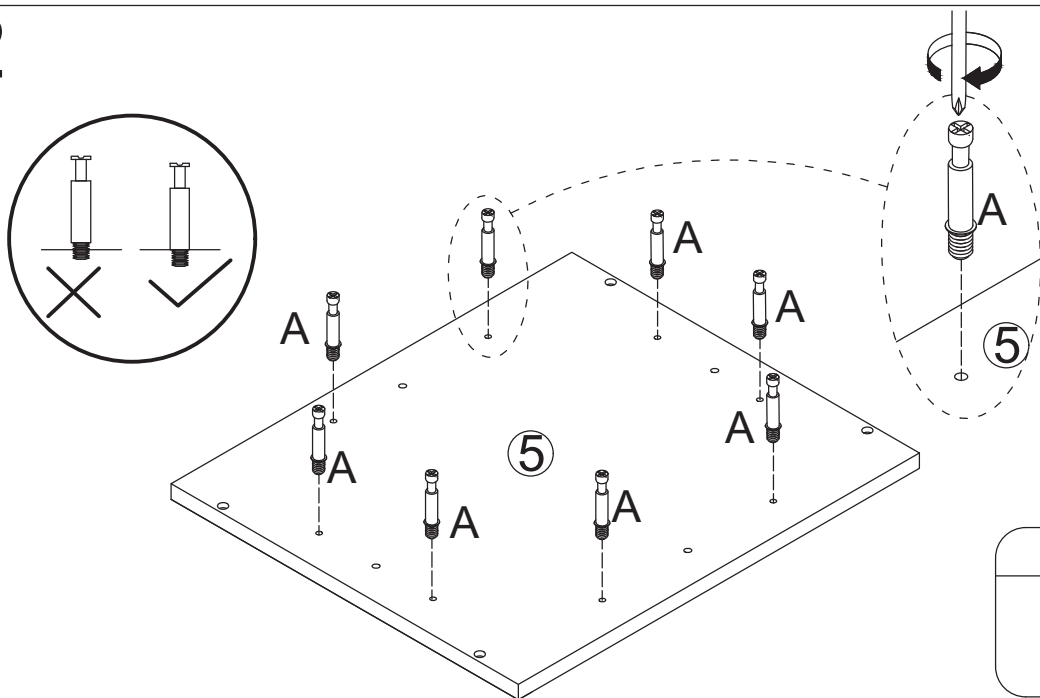



4 x2



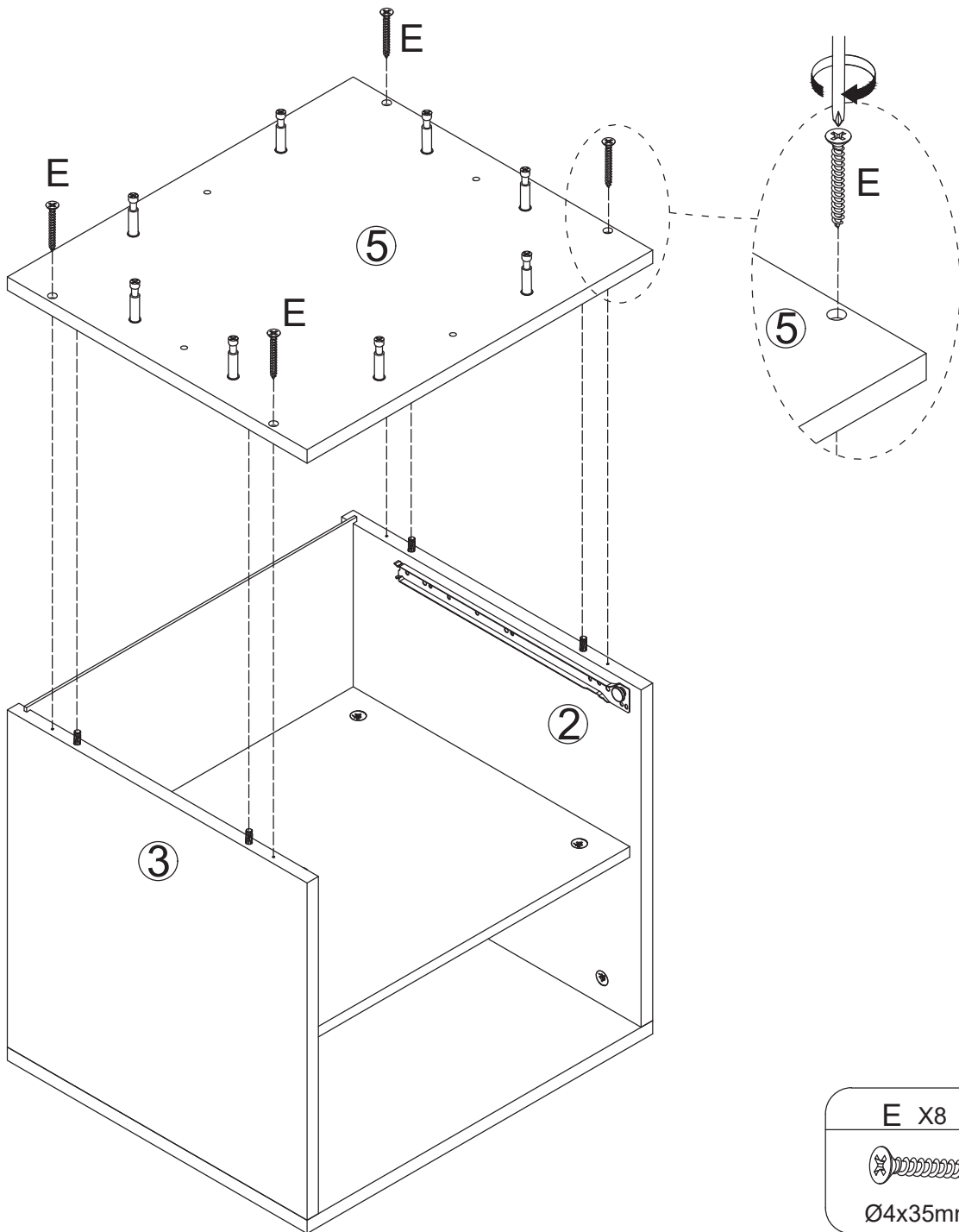
C X8

Ø6x30mm


5 x2



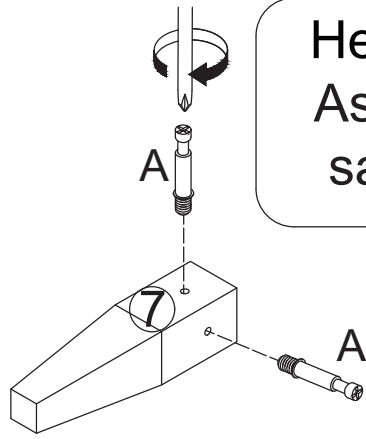
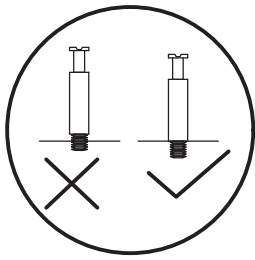
A X16

Ø6x35mm

6 x2

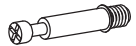


E X8

Ø4x35mm

7

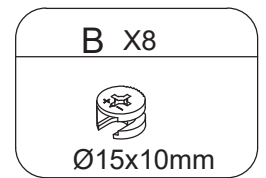
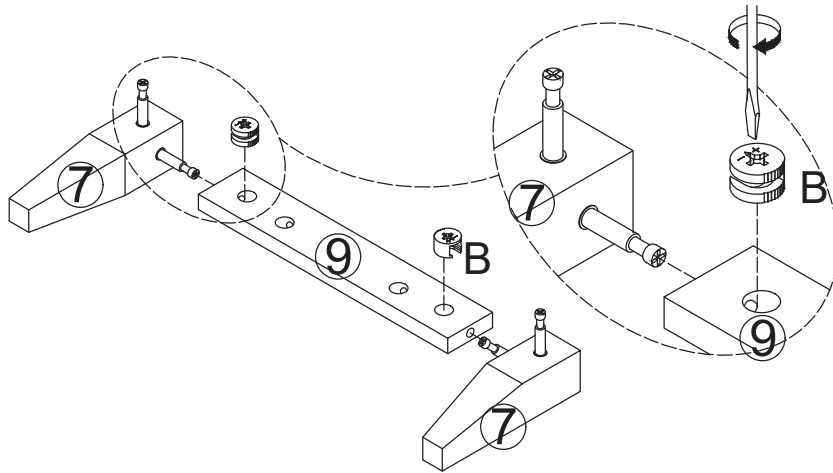
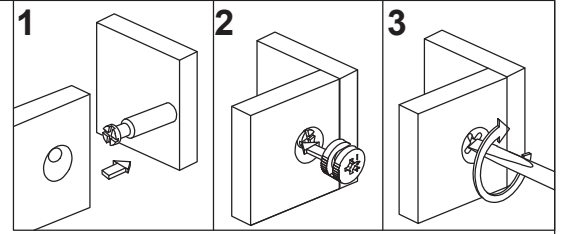


Here are 8 legs, Please Assemble 8 times in the same way

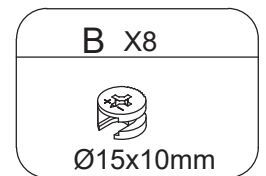
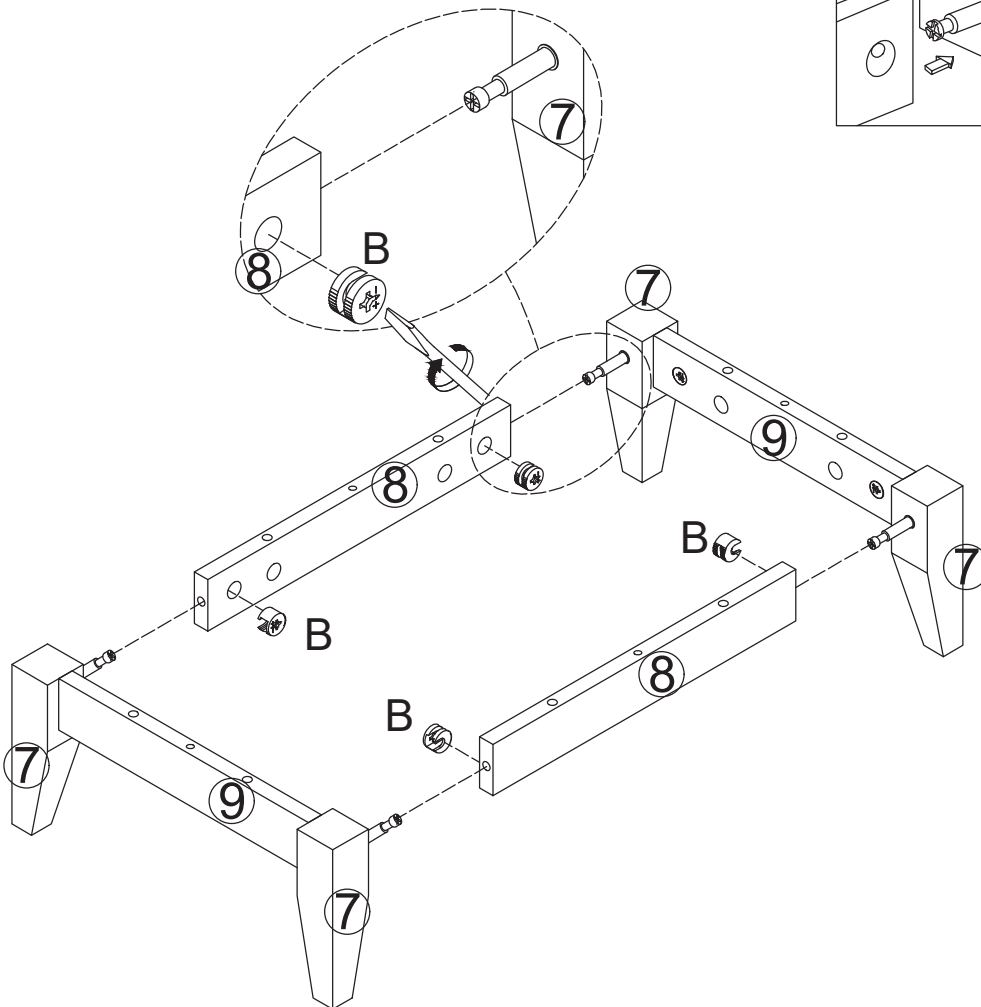
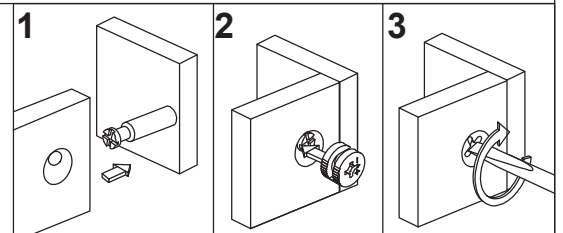
A X16

Ø6x35mm

8

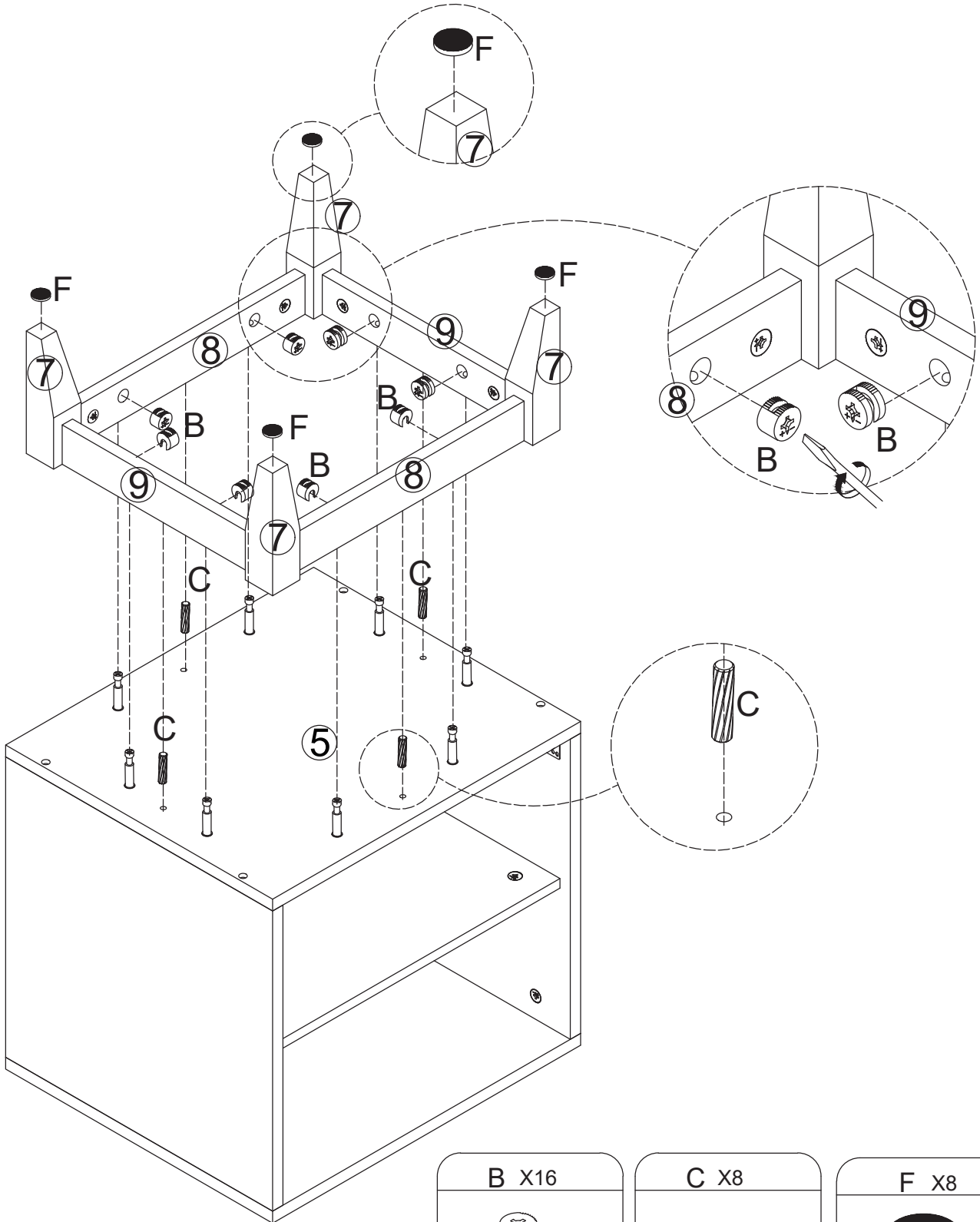
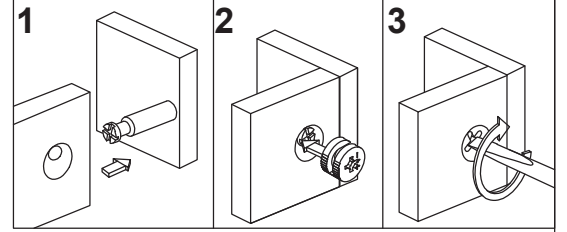
There are four lower foot frames, please assemble them in the same way four times.





9 x2




10 x2

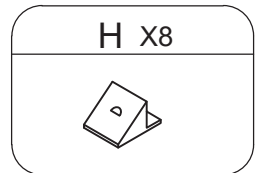
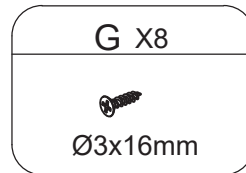
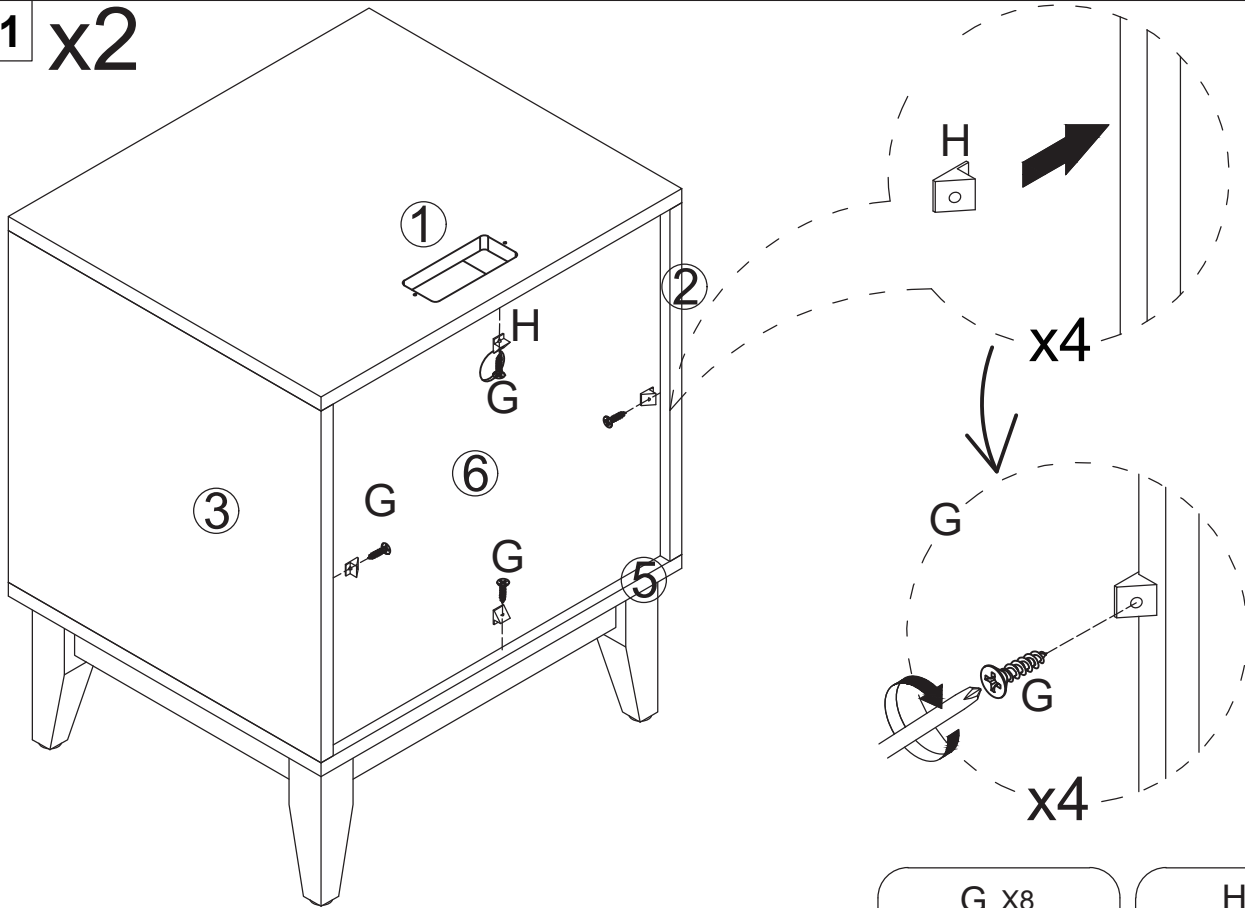


<b>B X16</b>

Ø15x10mm

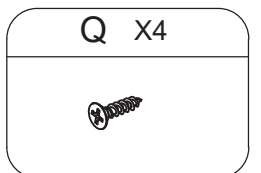
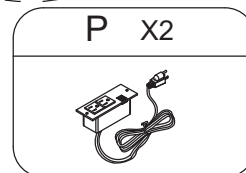
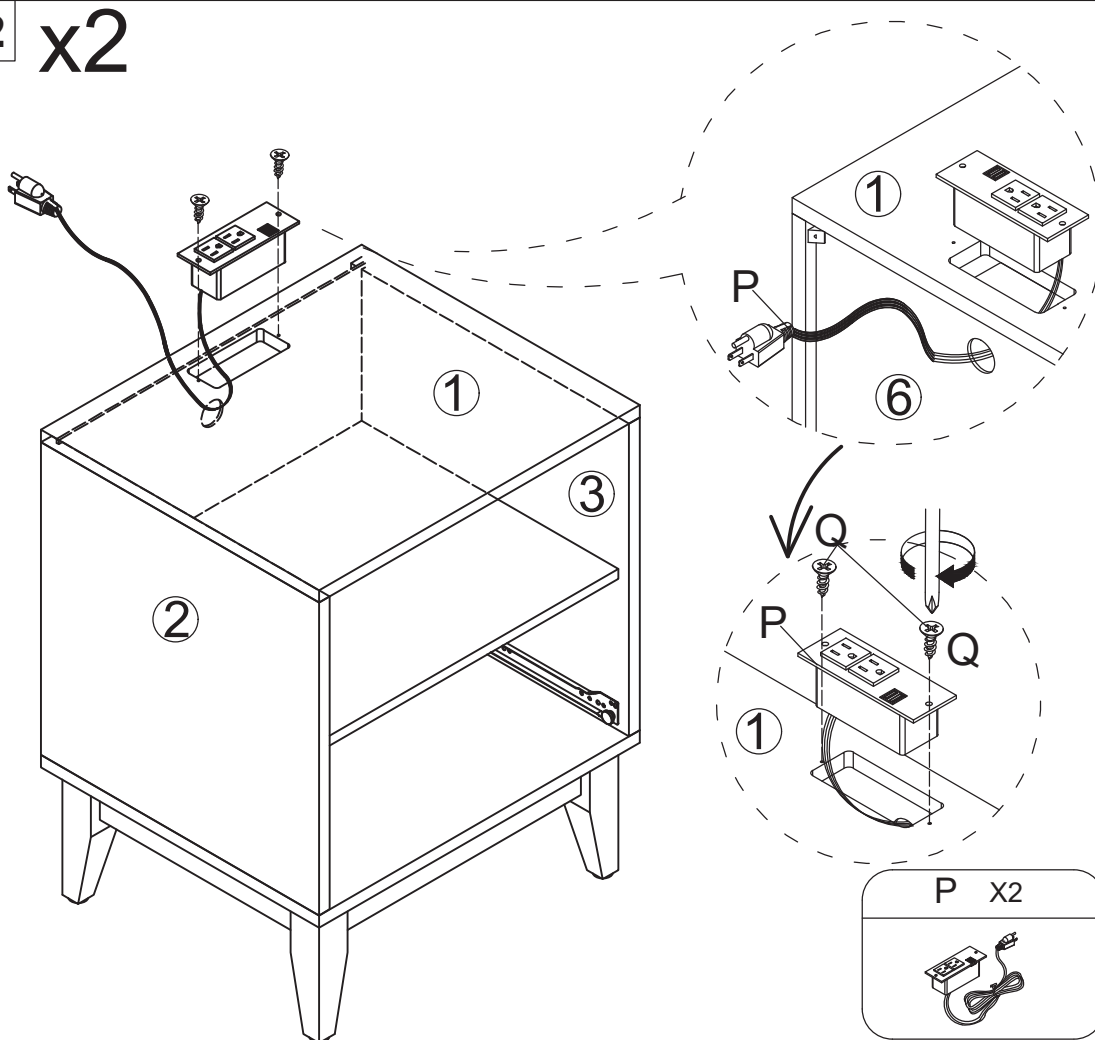
<b>C X8</b>

Ø6x30mm

<b>F X8</b>


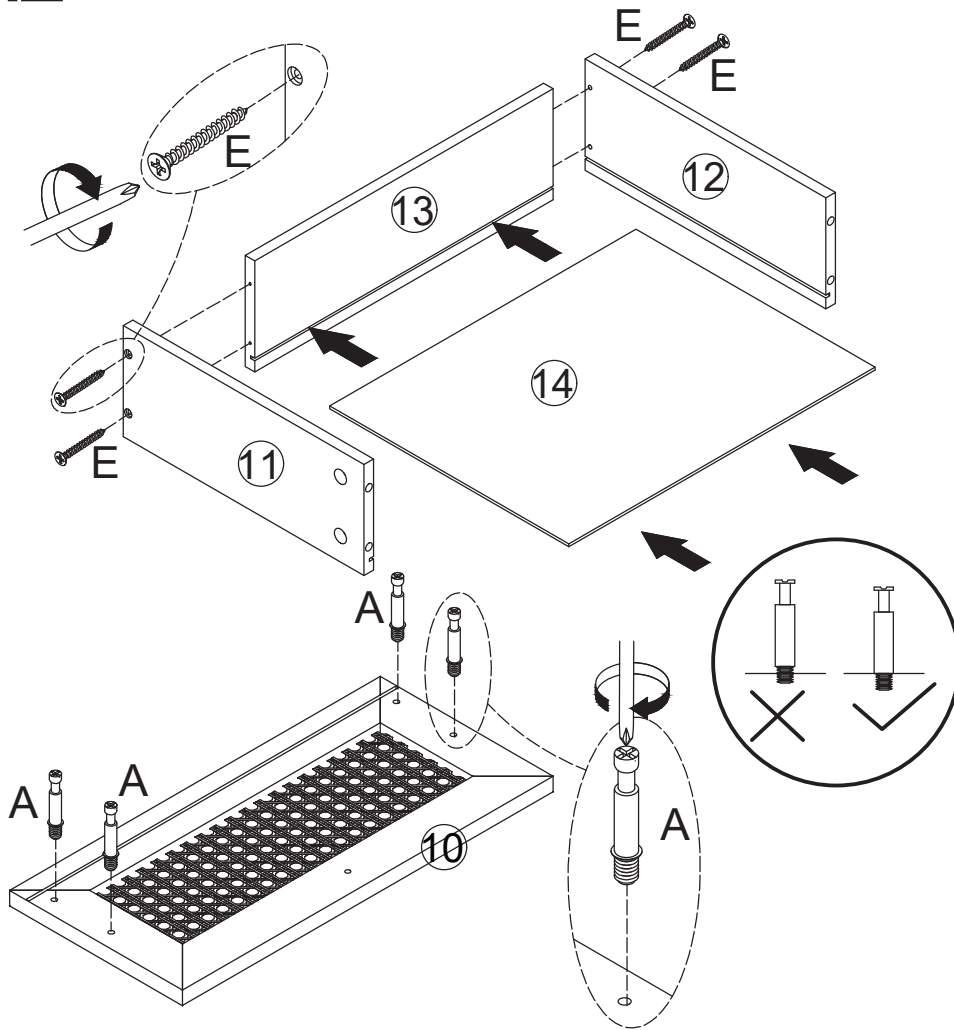
11 x2

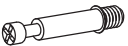



12 x2

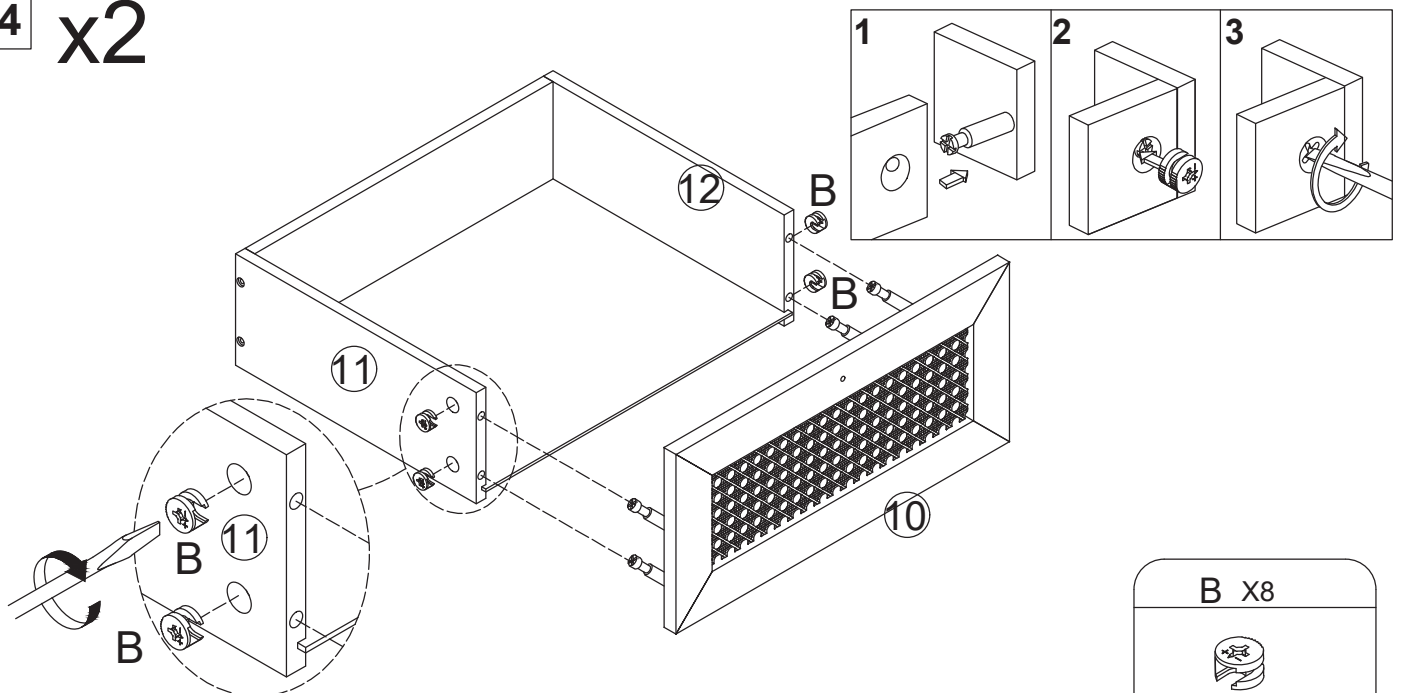



13 x2



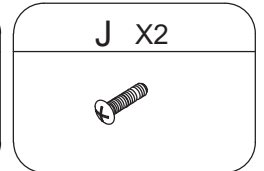
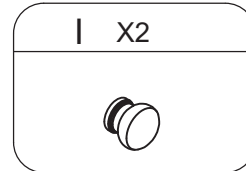
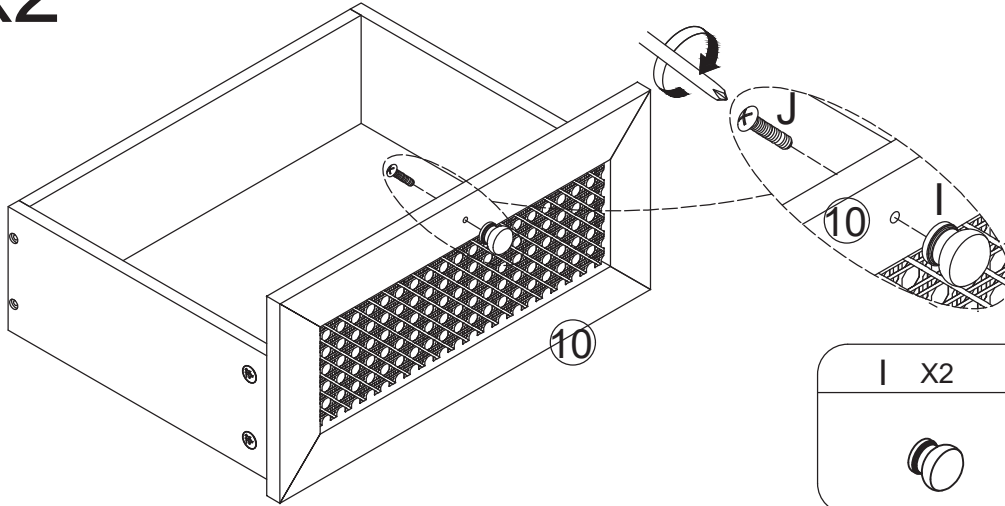
- A X8  
  
Ø6x35mm
- E X8  
  
Ø4x35mm

14 x2

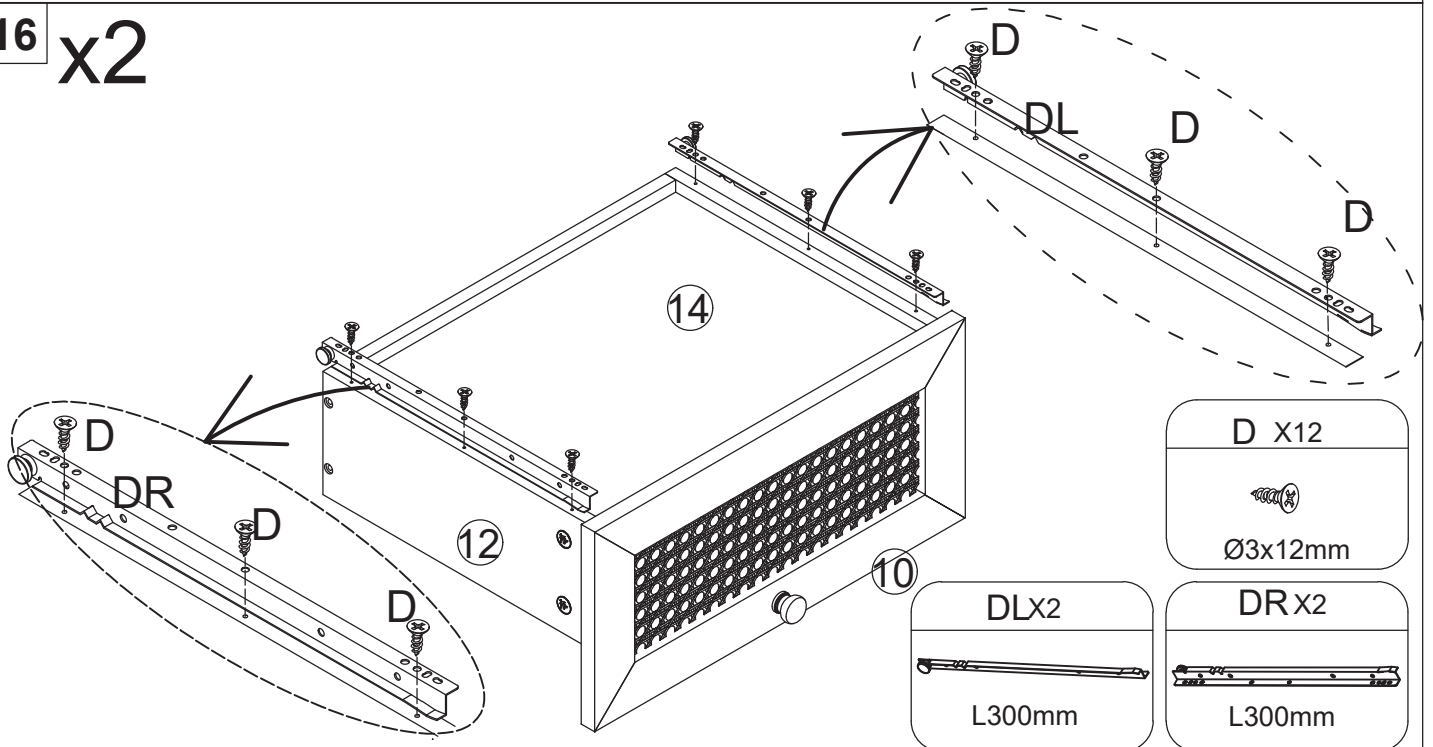


- B X8  
  
Ø15x10mm

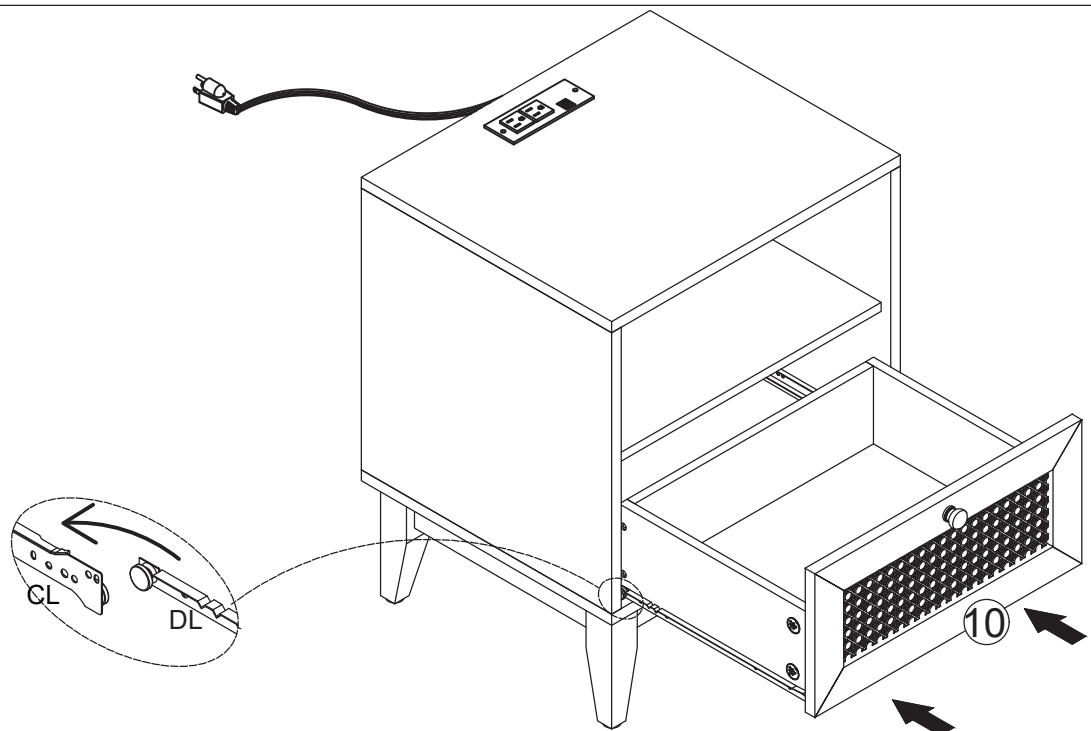
15 x2



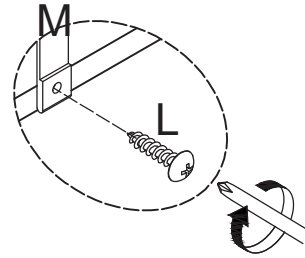
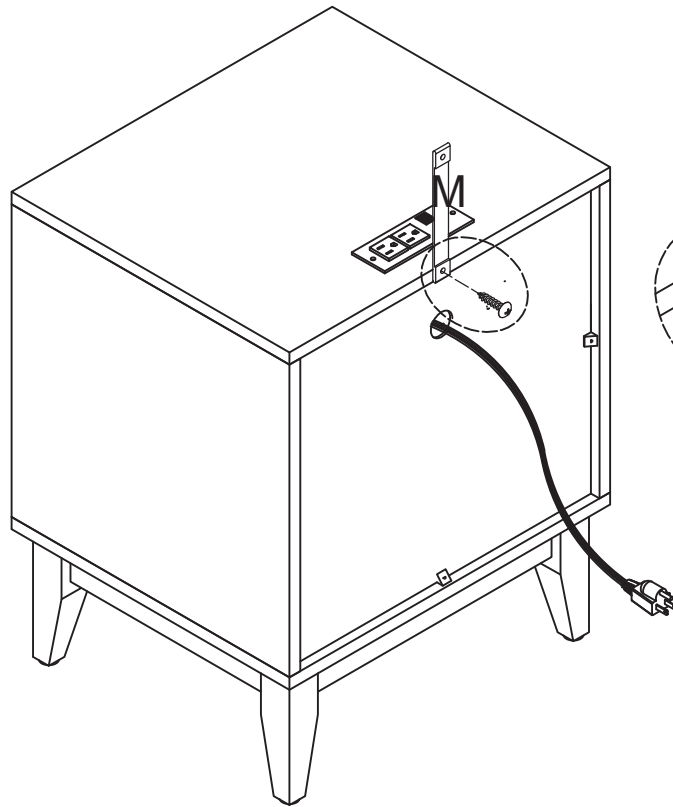
16 x2


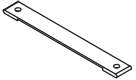


17 x2

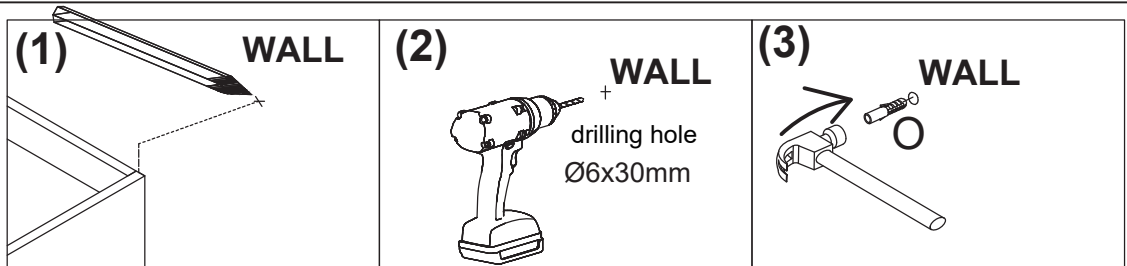


18 x2

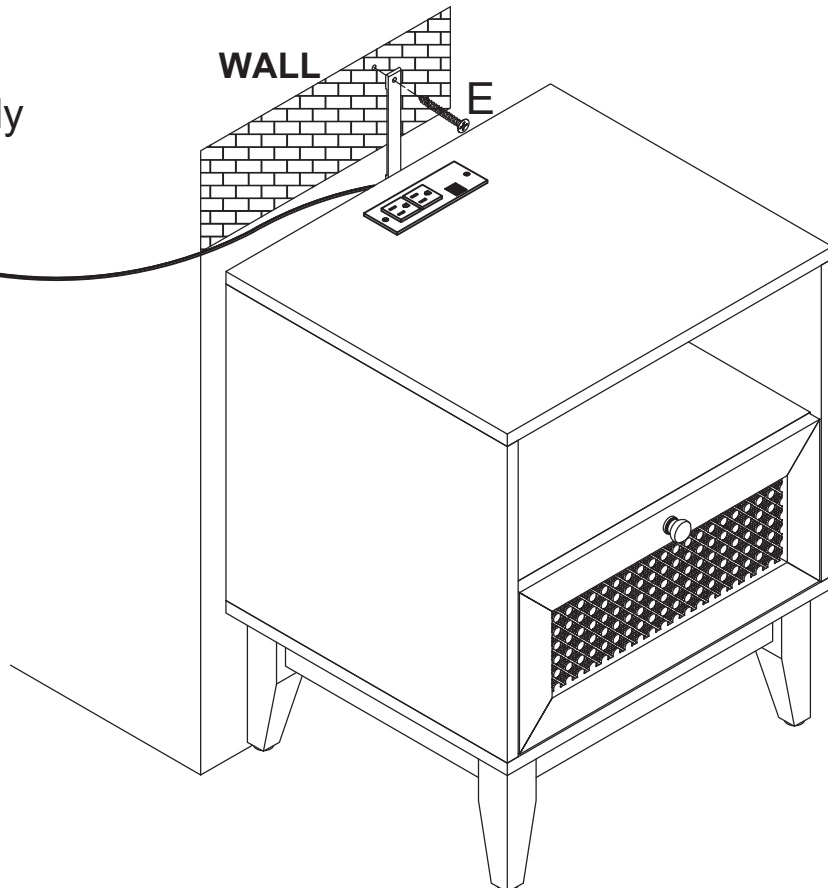
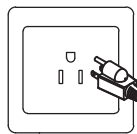



- L X2  

- M X2  


19 x2



Power supply



- E X2  
  
Ø4x35mm
- O X2  
