










Assembly Instructions

CAUTION: You must read this before you proceed.

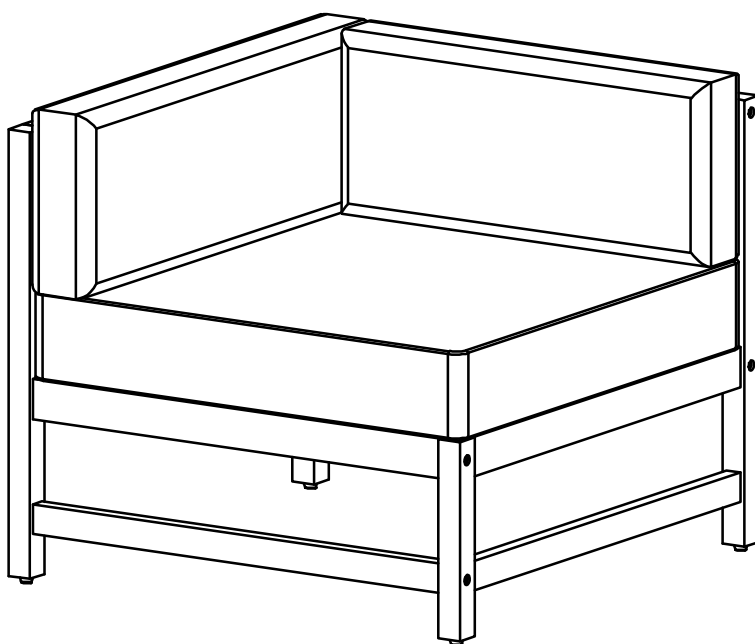
Care & Maintenance

- ⊘  • Not for commercial use. For residential use only.
- ⊘  • Do not put hot items directly on furniture surface.
- ⊘  • Do not clean furniture with harsh cleansers or polish.
- ✓  • To obtain the longest lifespan of your outdoor products, minimizing exposure to direct sunlight is recommended.
- ⊘  • Children should not climb or jump on the furniture.
- ⊘  • Do not write on furniture without a padded barrier to protect the surface.
- ✓  • To obtain the longest lifespan of your outdoor products, avoid extended and lengthy exposure to rain, snow, and direct sunshine. Whenever possible cover the product and /or place under patio or awnings.
- ⊘  • Stains may be removed with mild soap solution and damp cloth.

- ✓  • Dust and pick-up spills using a clean, non-colored, lint- free cloth.

Please look in Seat Panel for hardware packs.

CONER CHAIR

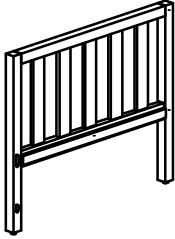

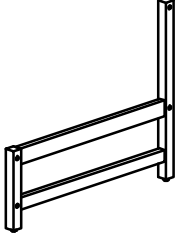
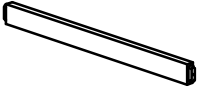
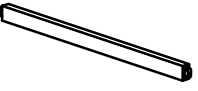
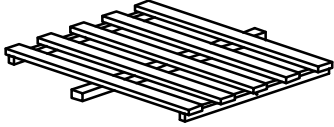
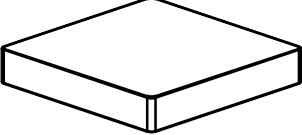
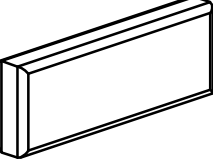
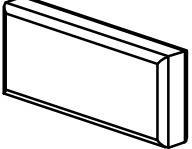


CAUTION : This Chair is NOT a TOY.




Keep your child / children at bay in the process of assembly.

For turning the Chair and to prevent damage to the Chair, 2 persons may be needed to execute this action.

Part List

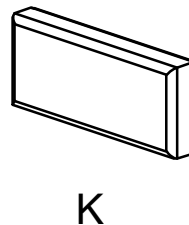
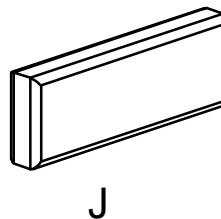
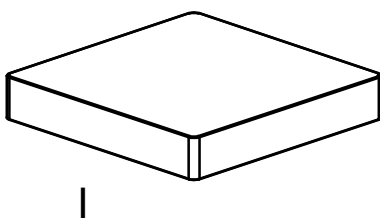
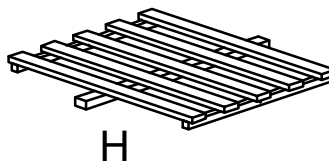
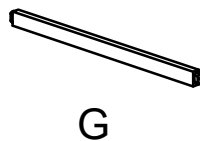
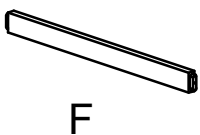
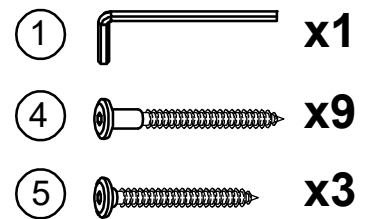
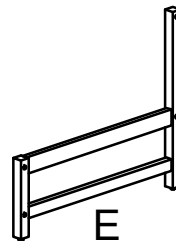
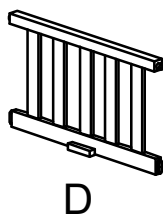
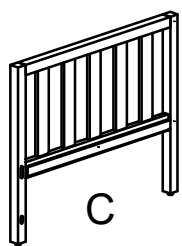
Label	Picture	Description	Qty
C		Left Leg Panel	1
D		Backrest Panel	1
E		Right Leg Panel	1
F		Seat Support Bar	1
G		Leg Support Bar	1
H		Seat Panel	1
I		Seat Cushion	1
J		Long Back Cushion	1
K		Short Back Cushion	1

Hardware

Label	Picture	Description	Qty
①		Allen Wrench	1
④		Screw (M7*70mm)	9
⑤		Screw (M6*45mm)	3

Assembly Preparation

Before Beginning Assembly:



• Read instruction, cover to cover-



• Have 2 adults on hand for assembly-



• Do not assembly on flooring or carpet-



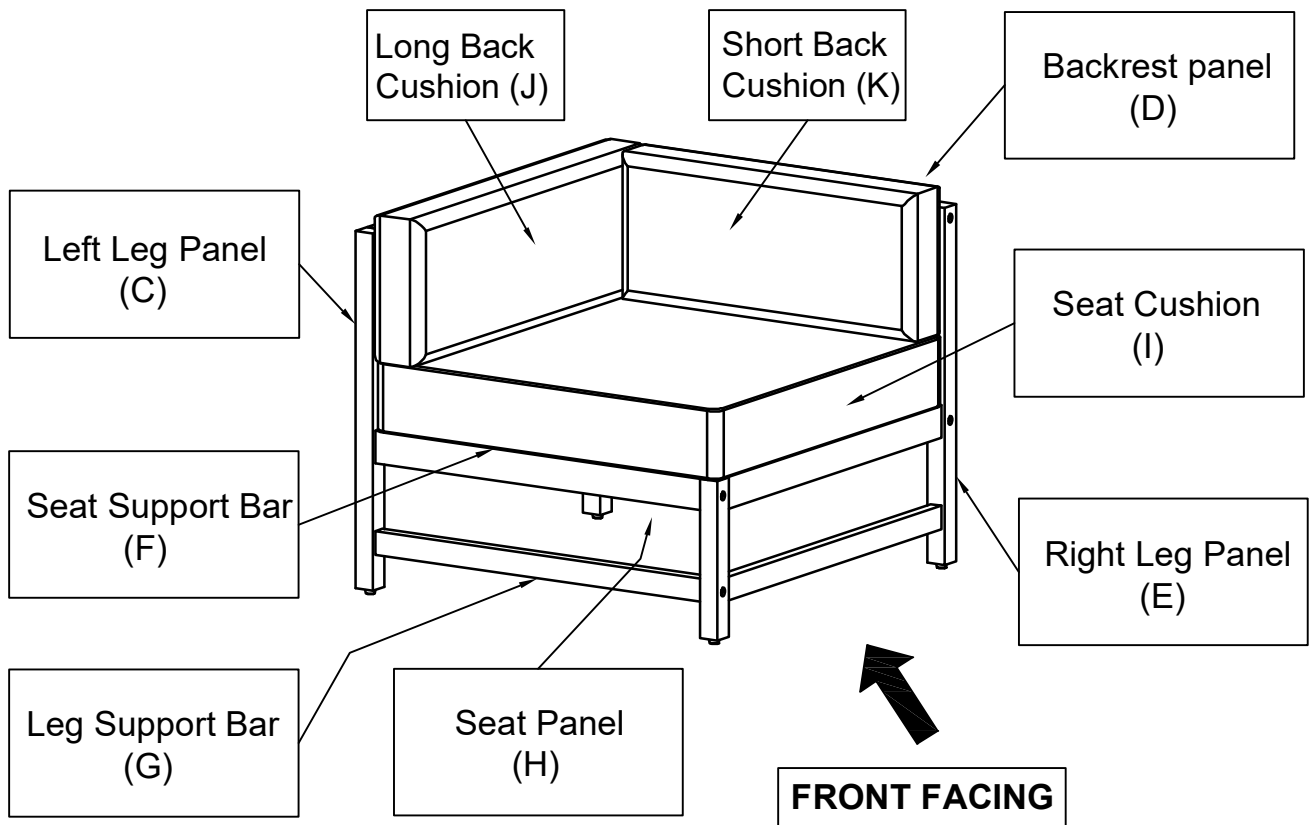
• Assemble on a clean non-marring surface (packing foam)-



• Save all packaging until finished-

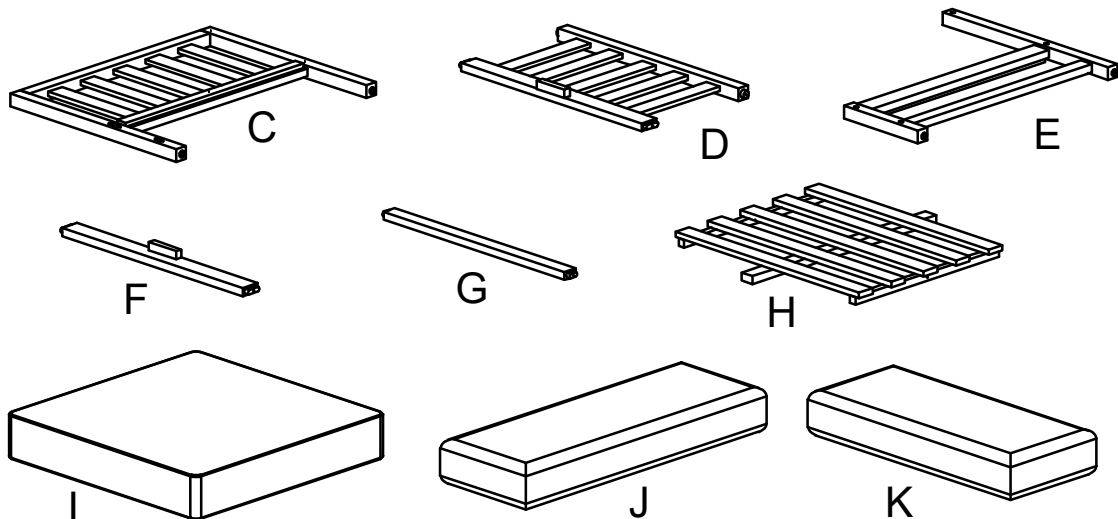
Assembly Steps

OVERVIEW



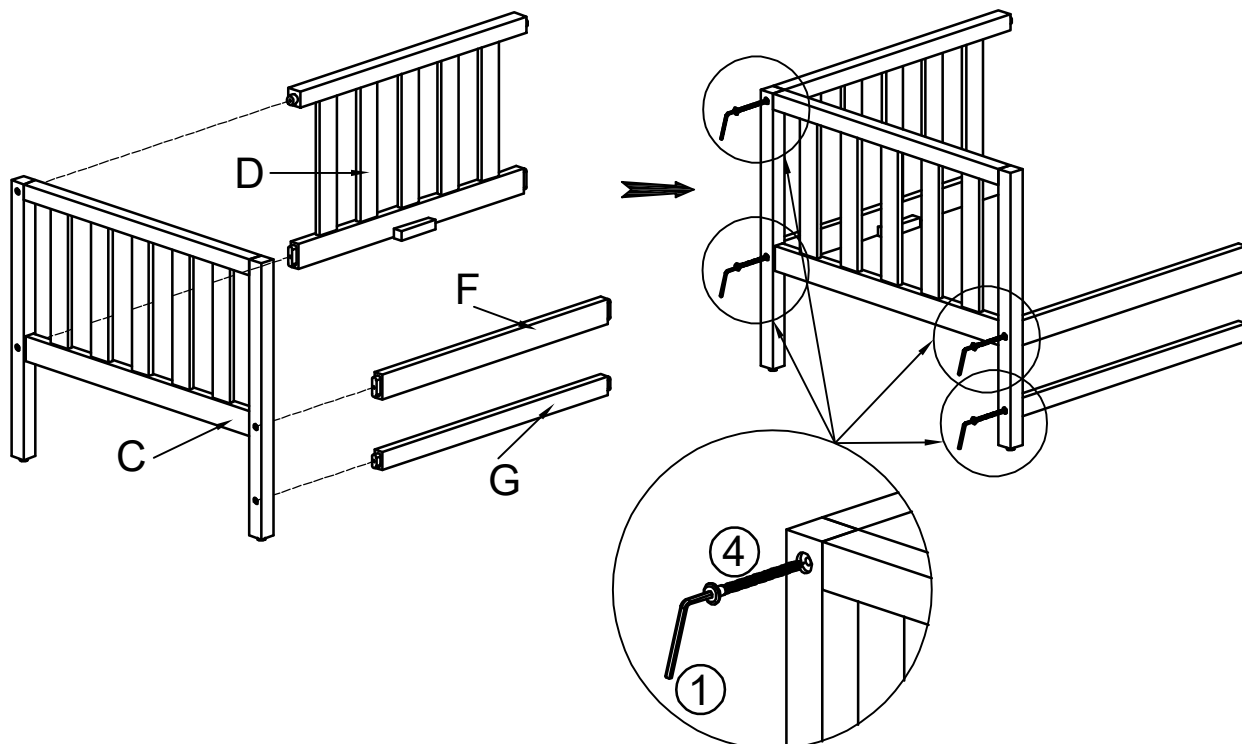
This Chair has multiple parts and may require up to some 30 minutes to assemble. To give you an overview of the Chair, the above picture is to help you put the various parts into perspective. Please read through the instructions here below to familiarise the parts and steps before assembly.

Step 1



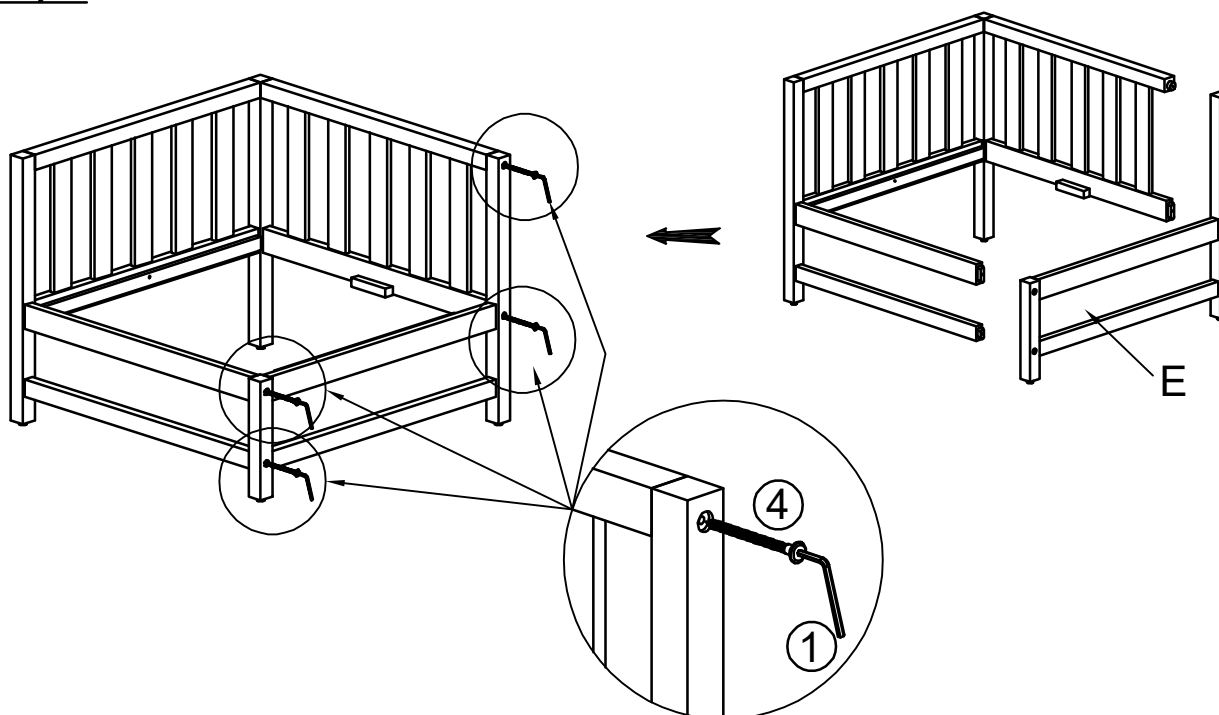
Unpack and place all parts on a clean, non-marring surface.

Step 2



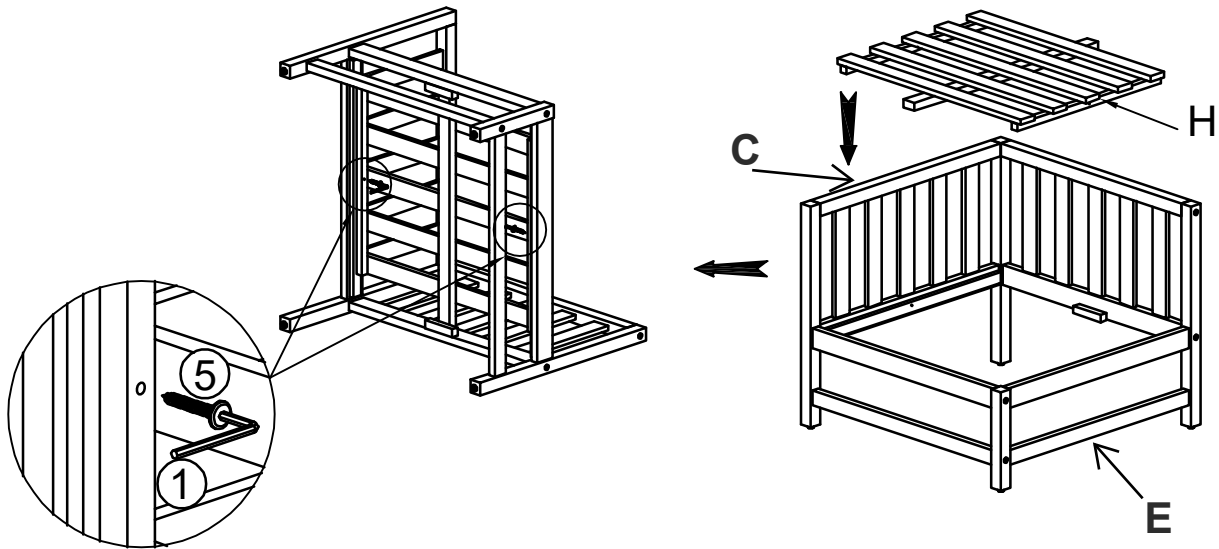
With assistance from your adult partner, attach Backrest Panel (D), Seat Support Bar (F) and Leg Support Bar (G) to Left Leg Panel (C) by using 4 Screws (④) and Allen Wrench (①). **Do not fully tighten the Screws.**

Step 3



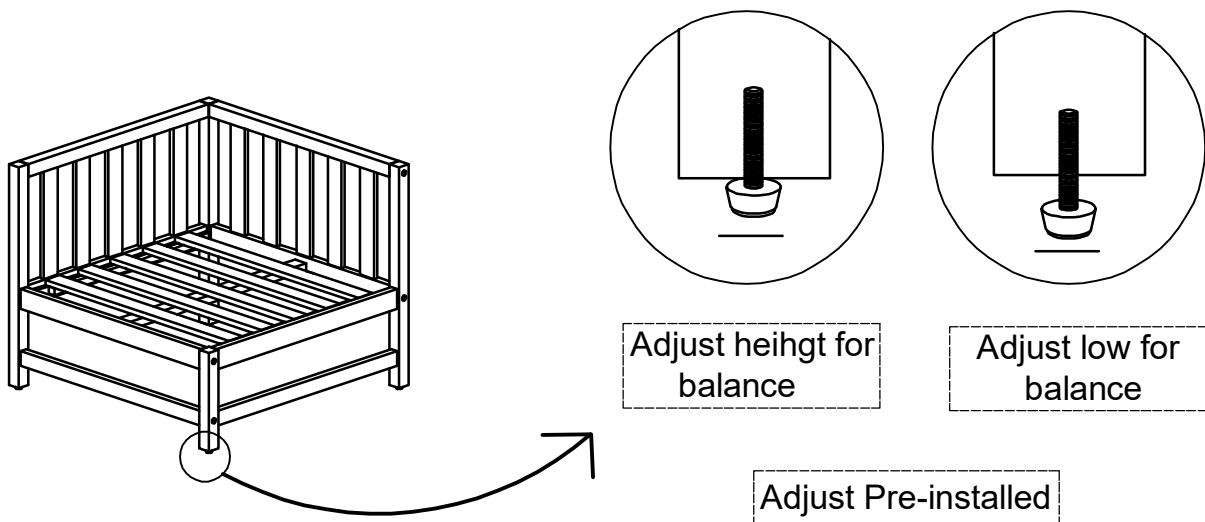
Secure Right Leg Panel (E) to Backrest Panel (D) and Seat Support Bar (F) and Leg Support Bar (G) by using 4 Screws (④) and Allen Wrench (①). **Do not fully tighten the Screws.**

Step 4



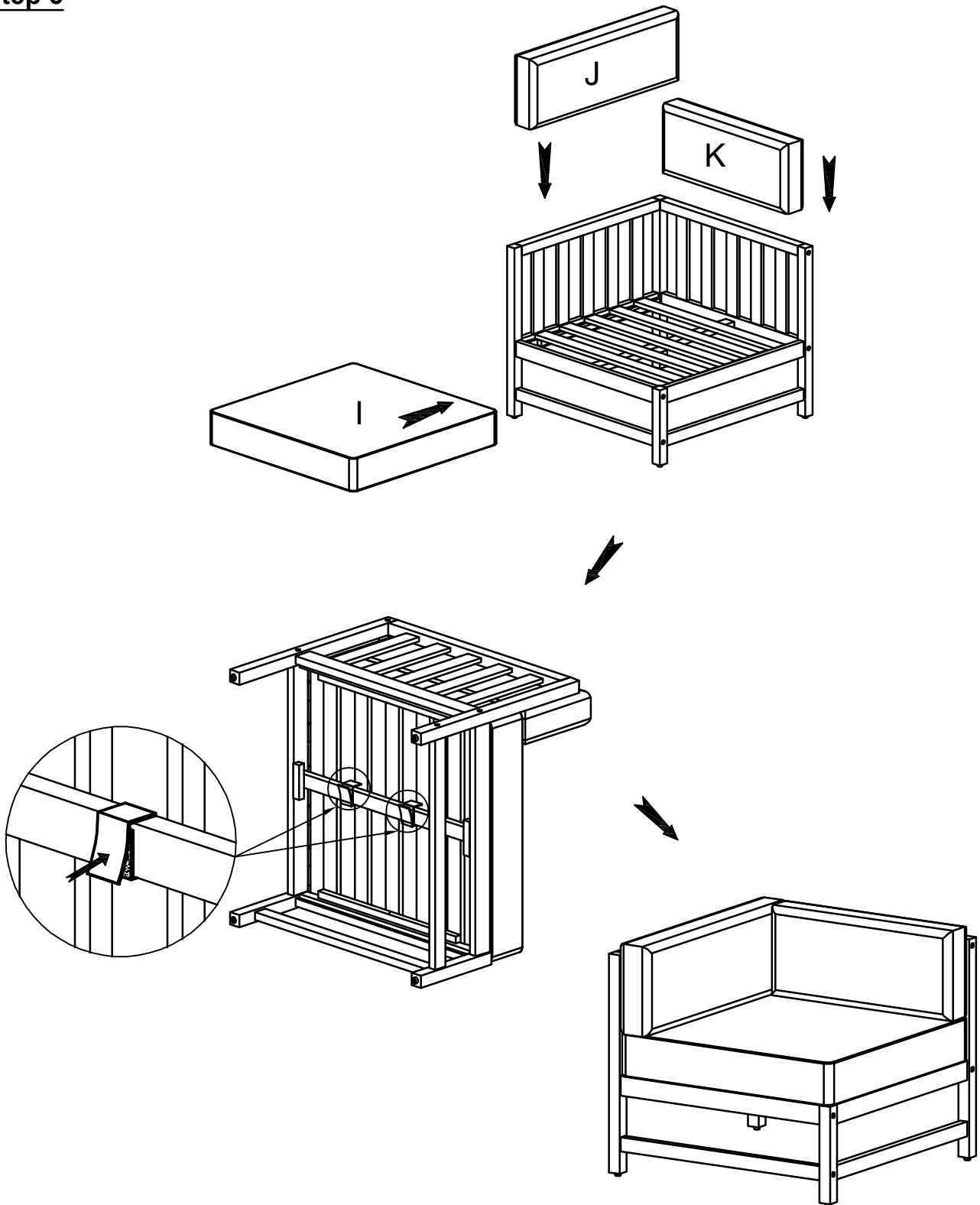
Secure Seat Panel (H) to Left Leg Panel (C) and Right Leg Panel (E) using 2 Screws (5) and Allen Wrench (1).
Do not fully tighten the Screws.

Step 5



Turn the Chair to the right side.
Inspect it and make sure all parts are adequately connected.
Gently and gracefully, sit onto the Chair.
This will help to align all the parts at all joint areas.
Then get off the Chair and proceed to tighten the Bolts and Screws in a sequential manner.
When tightening the Bolts, Screws tighten sequentially.
DO NOT tighten any Bolts, Screws fully and then move on towards the next one.
If there are still wobbles, loosen the Bolts, Screws and execute this same process.

Step 6

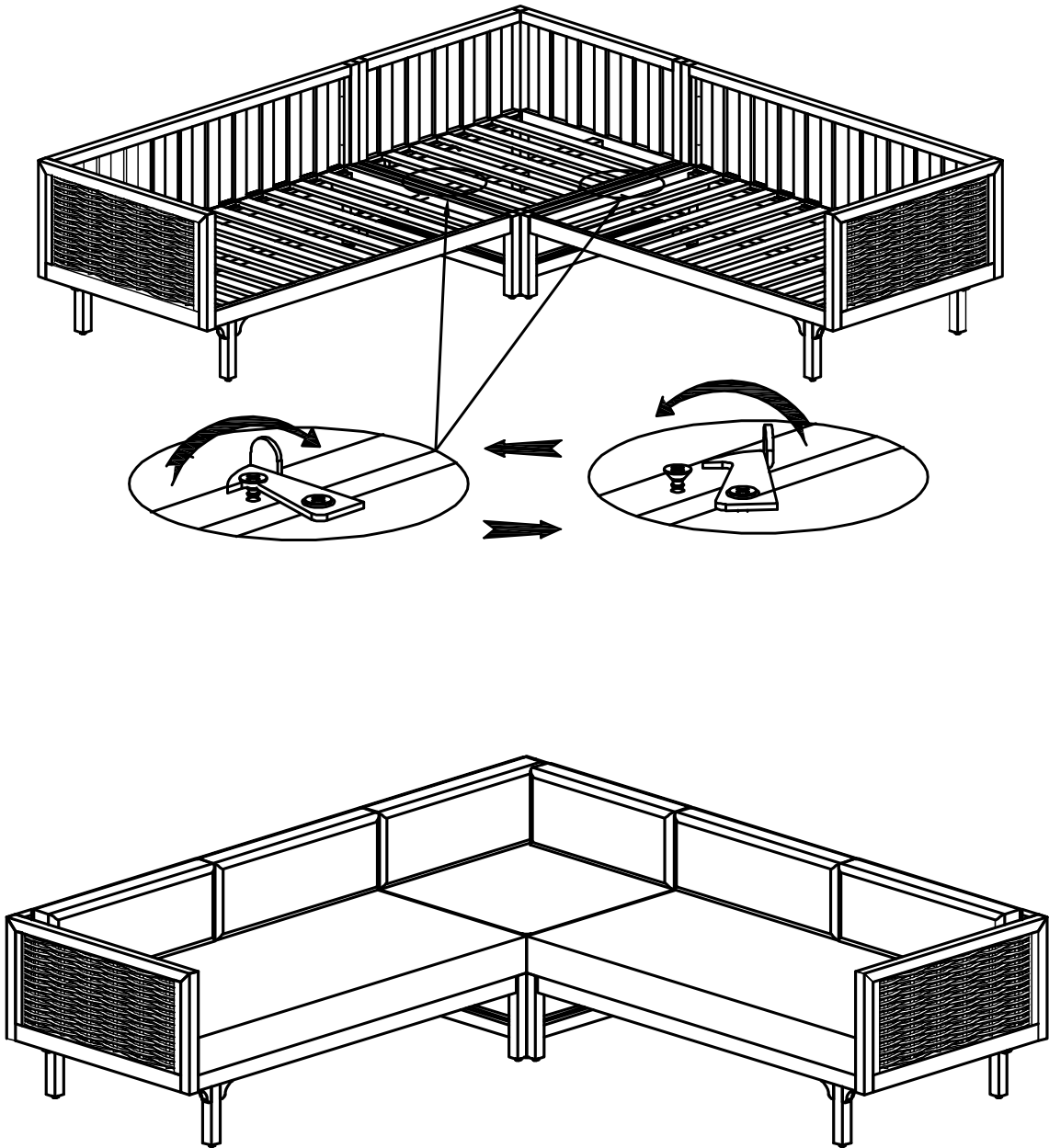


Place Seat Cushion (I) and Long Back Cushion (J) and Short Back Cushion (K) onto the Chair.

Tie the magic tape straps of Seat Cushion (I) to the slats of Seat Panel (H) as shown above.

Your Chair is ready to use.

Step 7



Note: This is optional step in case we want to connect all Loveseats and chair in a set together and should be done before placing cushion. With assistance from your adult partners, up side down the Loveseats&chair and using pre-fixed clip connect the Loveseats&chair together.