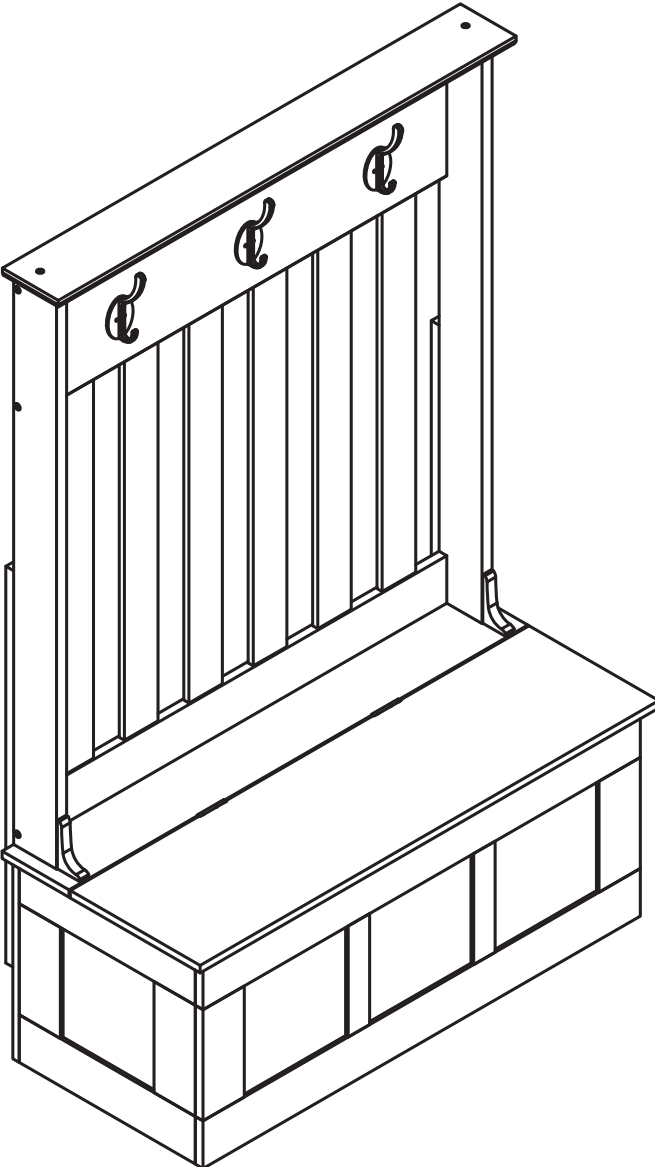
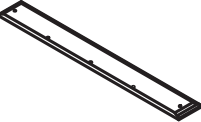


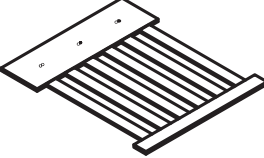
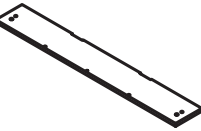
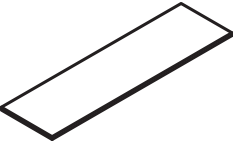
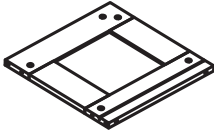
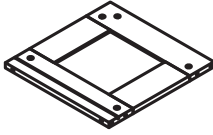
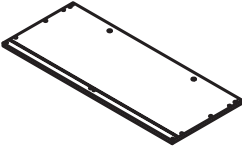
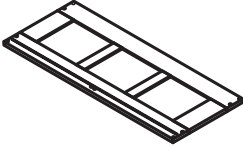
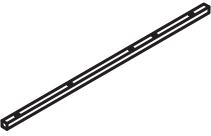
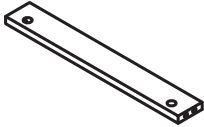
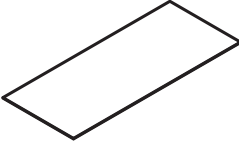


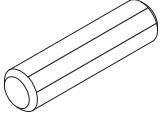
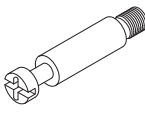


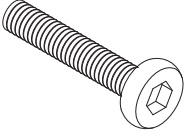
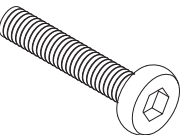
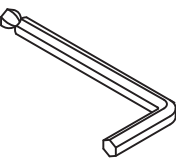
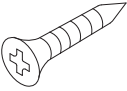
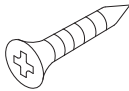

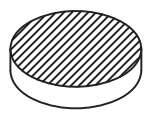
HALL TREE



PART LIST

<p>A</p> 	<p>B</p> 	<p>C</p> 	<p>D</p> 	<p>E</p> 
<p>Top Panel 1 PC</p>	<p>Left Side Brace 1 PC</p>	<p>Right Side Brace 1 PC</p>	<p>Back Frame 1 PC</p>	<p>Fixed Panel 1 PC</p>
<p>F</p> 	<p>G</p> 	<p>H</p> 	<p>I</p> 	<p>J</p> 
<p>Panel 1 PC</p>	<p>Left Side Frame 1 PC</p>	<p>Right Side Frame 1 PC</p>	<p>Back Panel 1 PC</p>	<p>Front Frame 1 PC</p>
<p>K</p> 	<p>L</p> 	<p>M</p> 		
<p>Connect Rail 2 PCS</p>	<p>Rail 1 PC</p>	<p>Bottom Panel 1 PC</p>		

HARDWARE LIST

<p>1</p>  <p>∅8*30</p>	<p>2</p> 	<p>3</p> 	<p>4</p> 	<p>5</p>  <p>1-3/4"*∅1/4"*D11</p>
<p>Wood Dowel 19 PCS</p>	<p>Cam Bolt 15 PCS</p>	<p>Cam Lock 15 PCS(Extra 2)</p>	<p>Hook 3 PCS</p>	<p>Long Allen Bolt 10 PCS</p>
<p>6</p>  <p>1-1/4"*∅1/4"*D11</p>	<p>7</p> 	<p>8</p>  <p>14mm*∅3*D6</p>	<p>9</p>  <p>12mm*∅3*D6</p>	<p>10</p> 
<p>Short Allen Bolt 10 PCS</p>	<p>Allen Key 1 PC</p>	<p>Long Round Head Screw 6 PCS(Extra 1)</p>	<p>Short Round Head Screw 8 PCS(Extra 1)</p>	<p>Safety Strap Kit 1 PC</p>
<p>11</p>  <p>Sponge 3 PCS</p>				

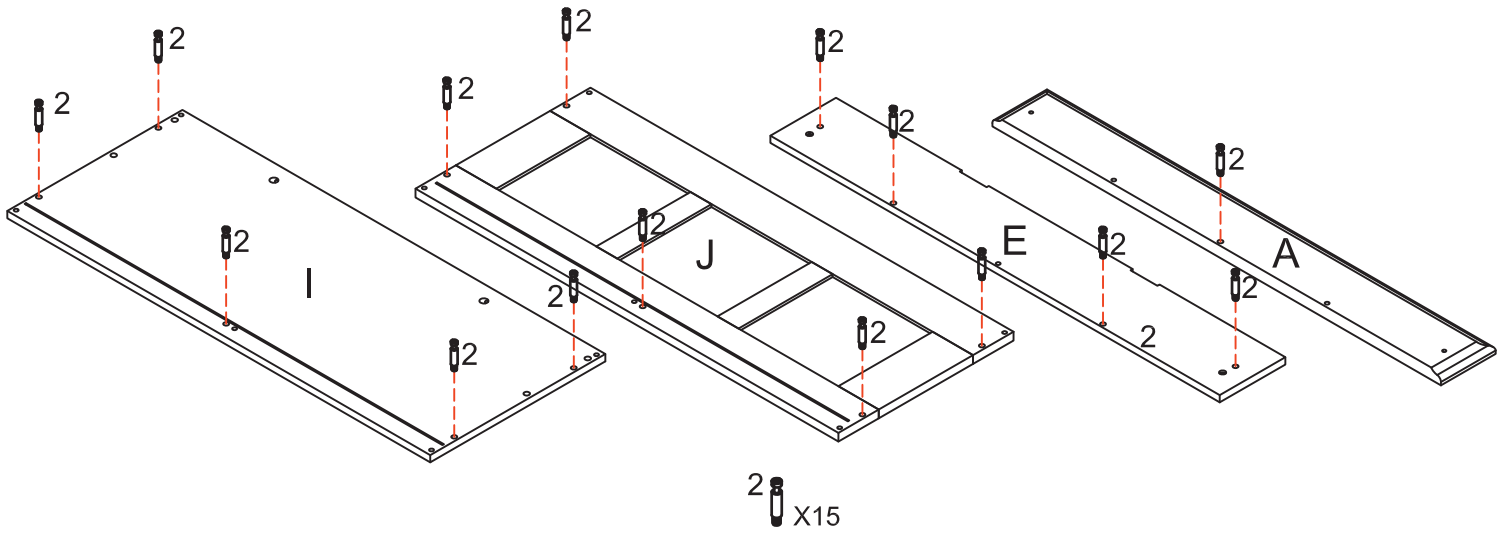
ADDITIONAL TOOLS (Not Provided)

Note: It is not recommended to use power tools during assembly. However a screw gun can assist with mounting.

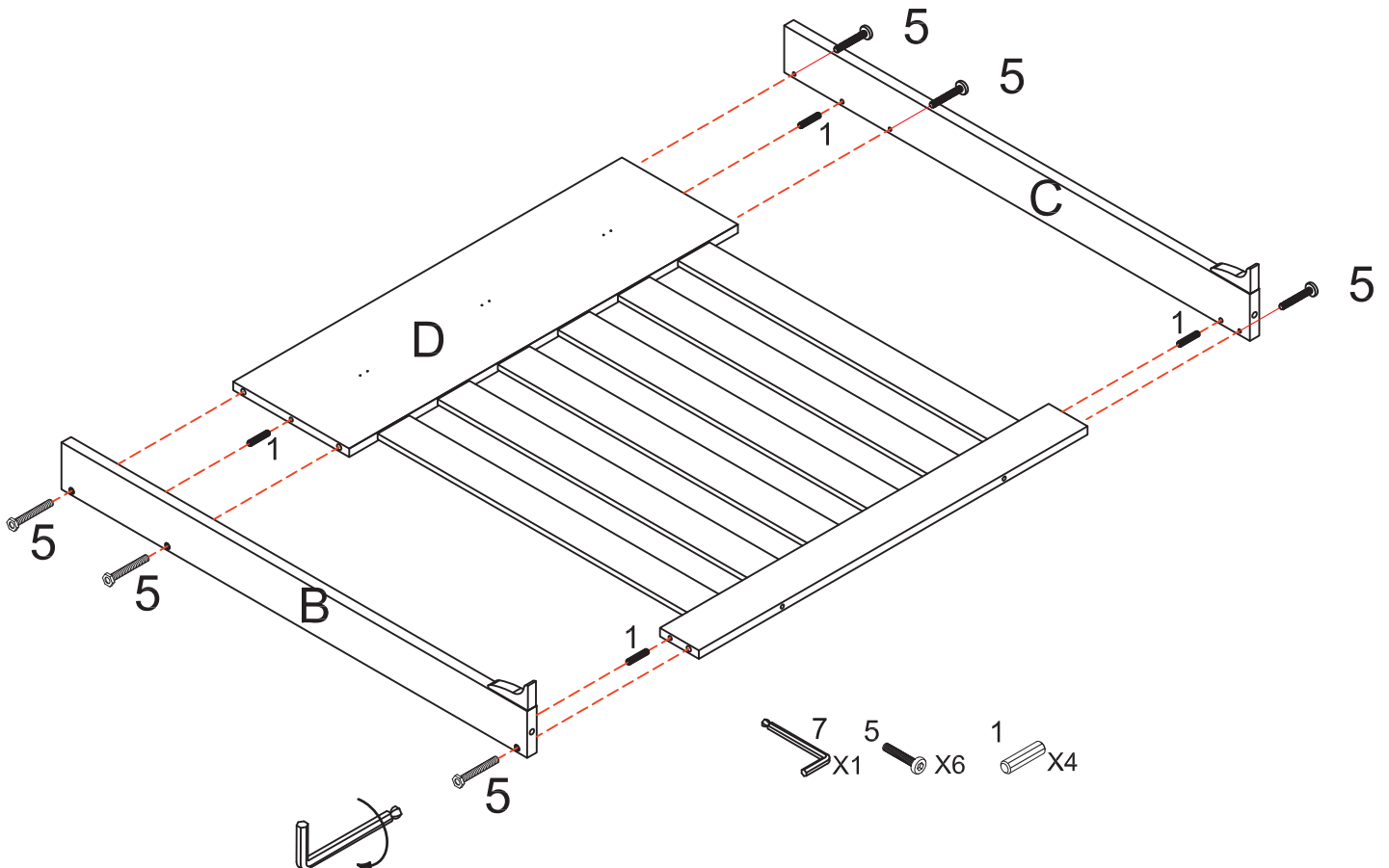


Phillips Head Screw Driver

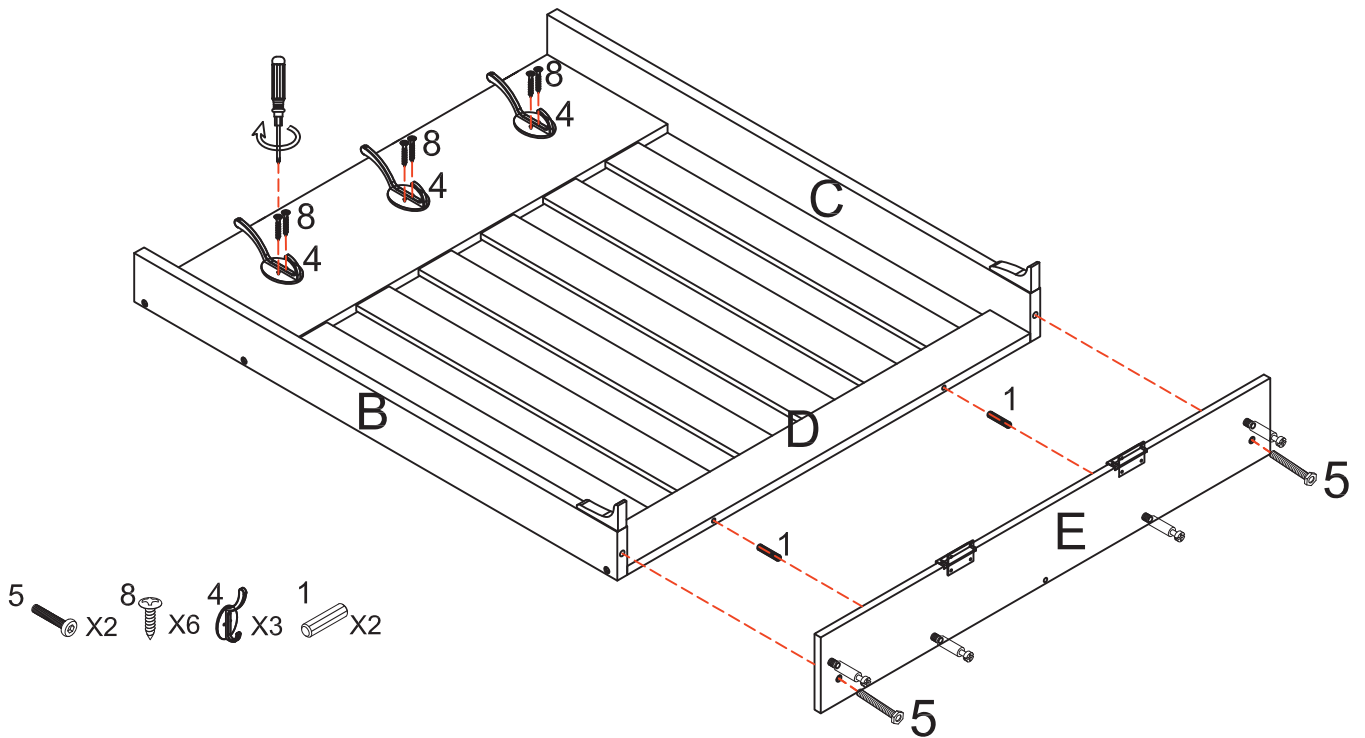
Step 1. Insert Cam Bolts (Part#2) into Top (A), Fixed Panel (E), Front Frame (J) and Back Panel (I).



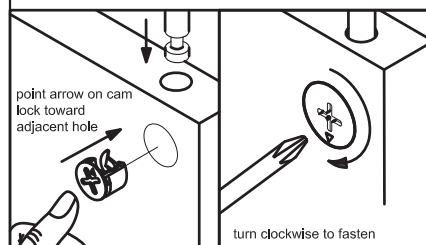
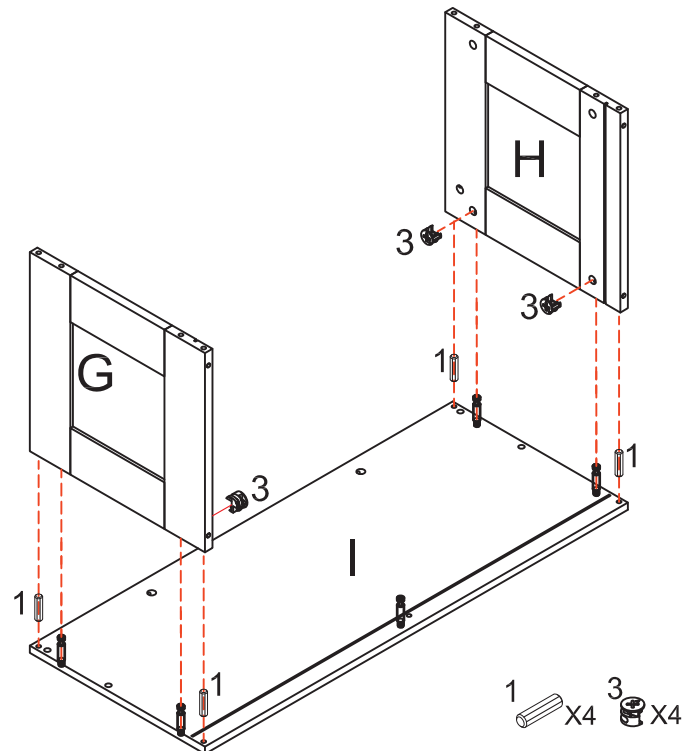
Step 2. Attach Left Side Brace (B) and Right Side Brace (C) to Back Frame (D) using Wood Dowels (Part#1) and Bolts (Part#5).



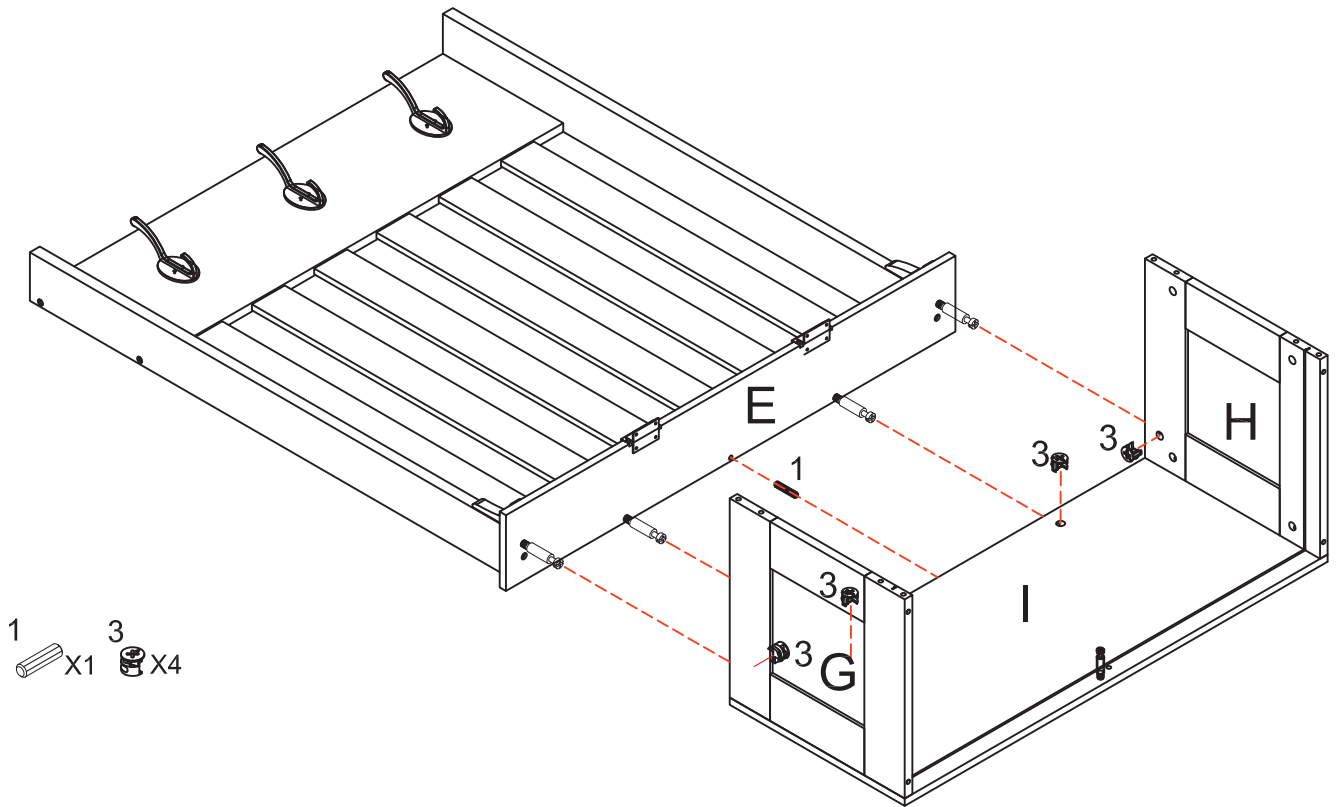
Step 3. Lock Hooks (Part#4) onto Back Frame (D) using Round Head Screws (Part#8). Fixed Panel (E) to Parts (B, C & D) using Wood Dowels (Part#1) and Bolts (Part#5).



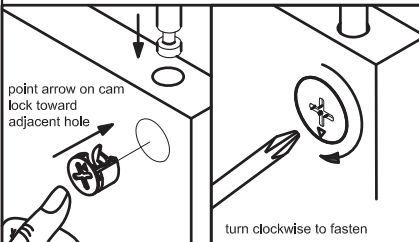
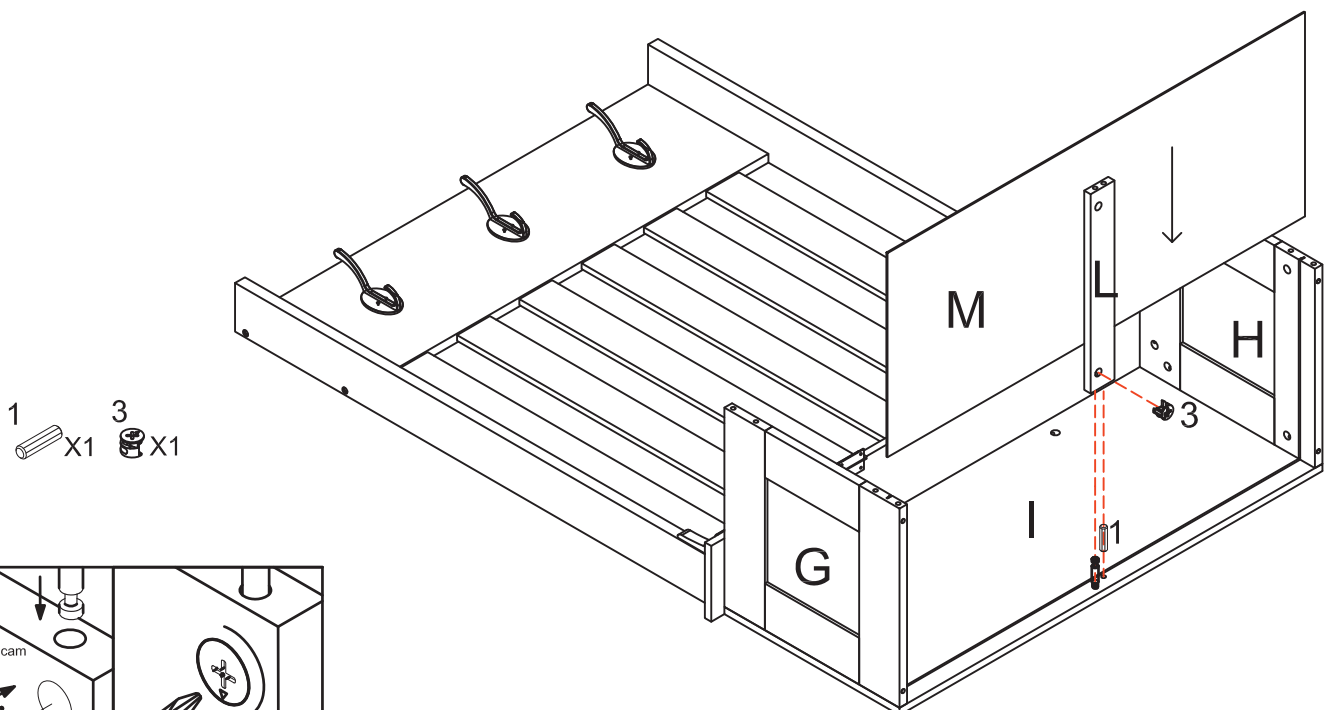
Step 4. Attach Left Side Frame (G) and Right Side Frame (H) to Back Panel (I) using Wood Dowels (Part#1) and Cam Locks (Part#3).



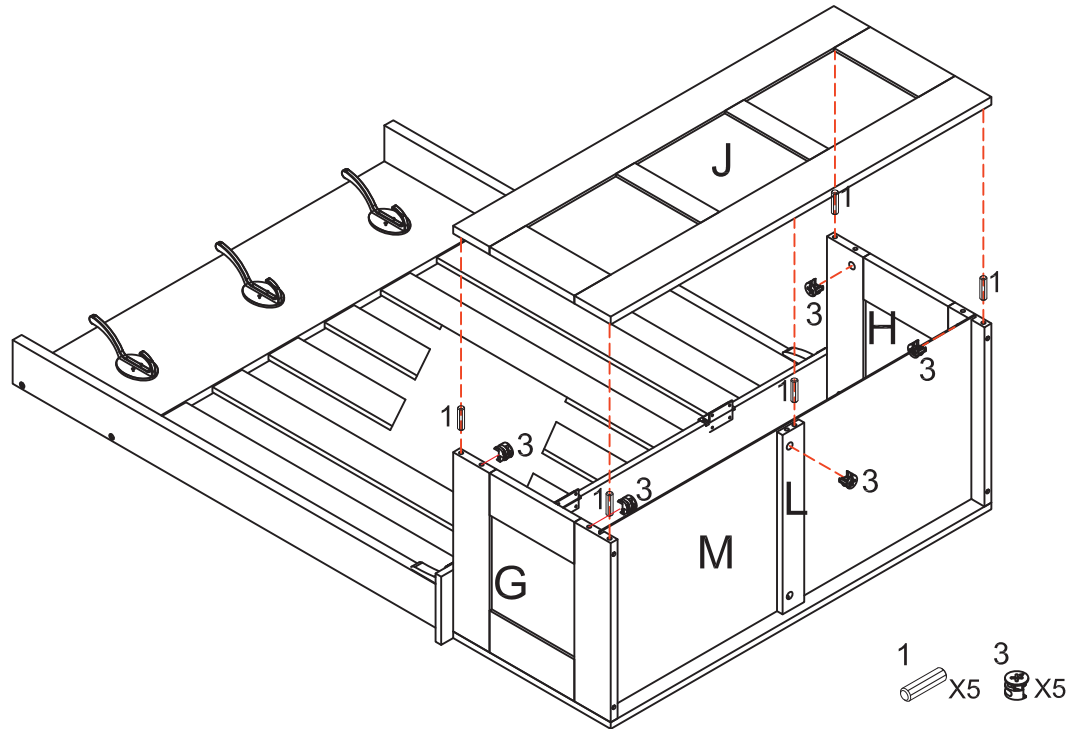
Step 5. Attach assembled Parts (G, H & I) to Fixed Panel (E) using Wood Dowels (Part#1) and Cam Locks (Part#3).



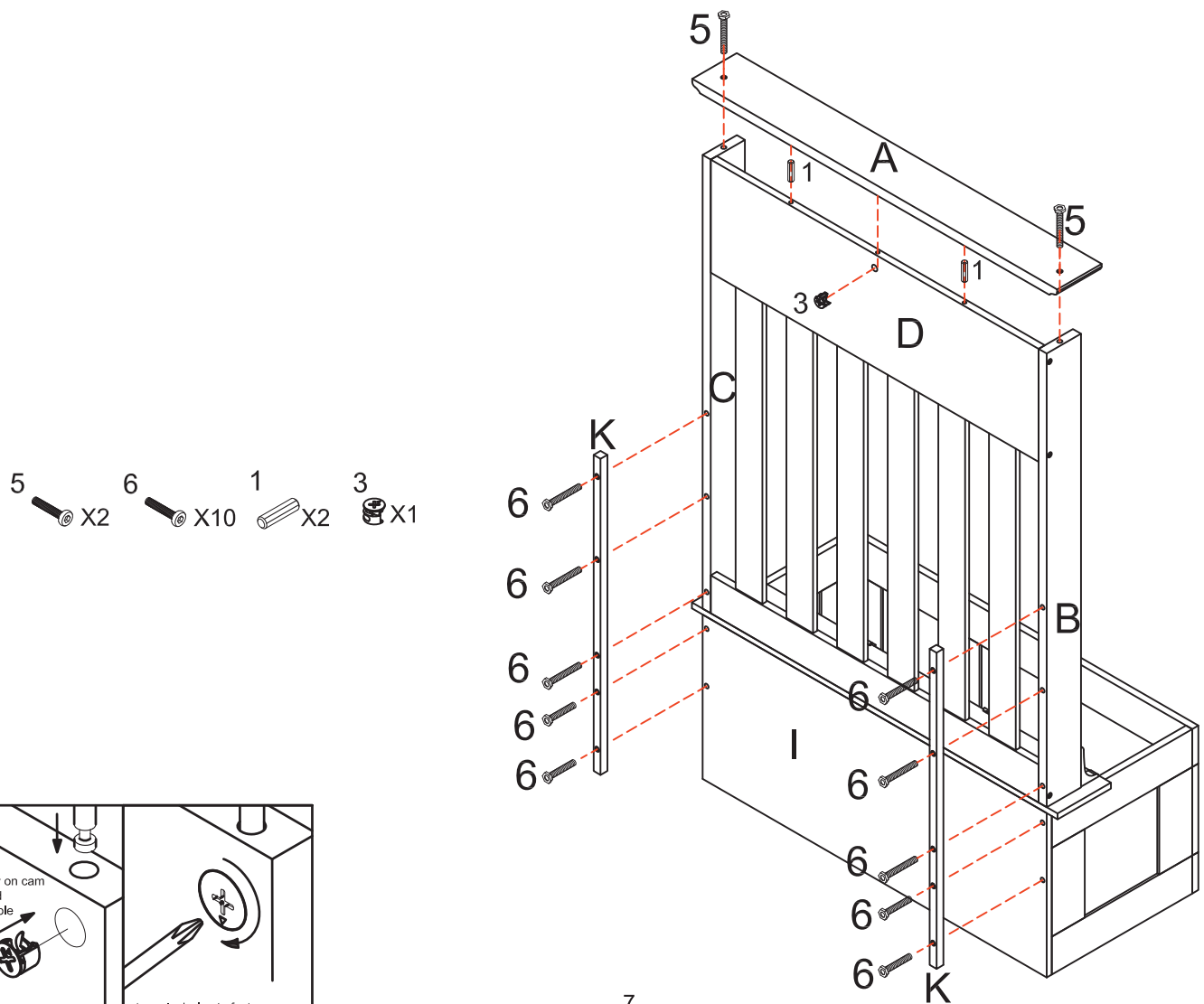
Step 6. Insert Bottom Panel (M) into grooves of Left Side Frame (G) and Right Side Frame (H). Attach Rail (L) to Back Panel (I) using Wood Dowels (Part#1) and Cam Locks (Part#3).






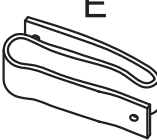


Step 7. Attach Front Frame (J) to assembled cabinet using using Wood Dowels (Part#1) and Cam Locks (Part#3).



Step 8. Attach Connect Rails (K) to assembled parts (B, C & I) using Bolts (Part#6). Attach Top (A) and Fixed Panel (B,C,D) using Wood Dowel(Parts#1),Cam Lock(Parts#3) and bolt (Part#5).

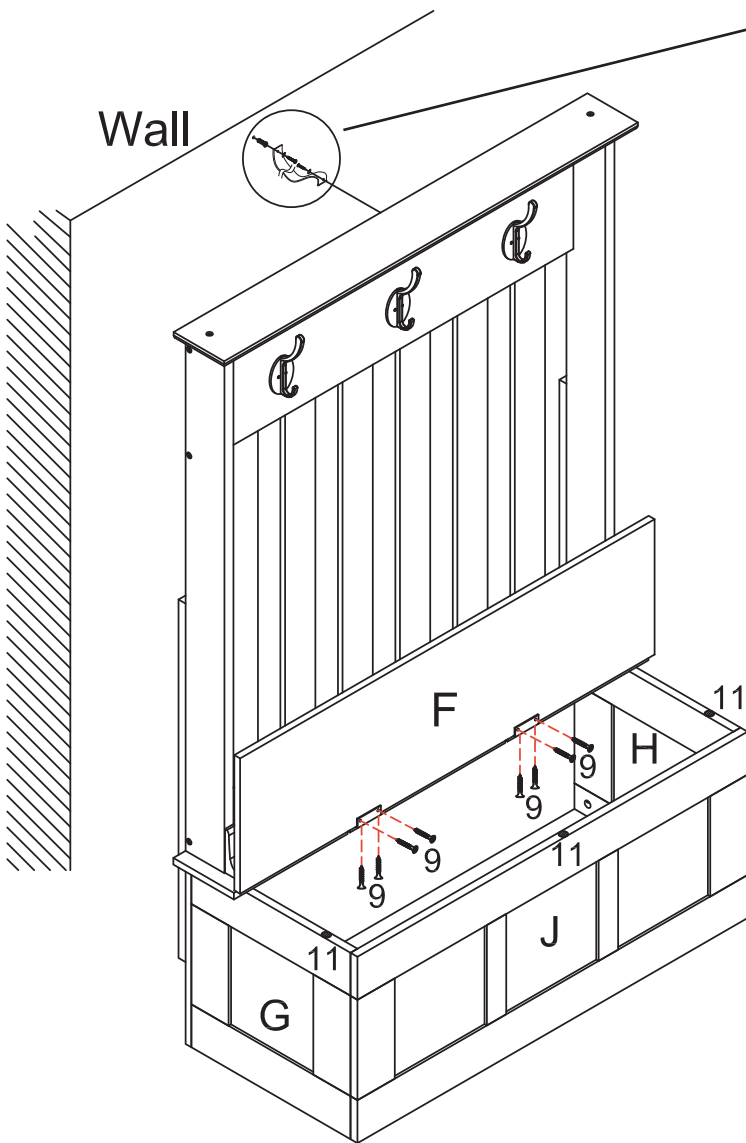
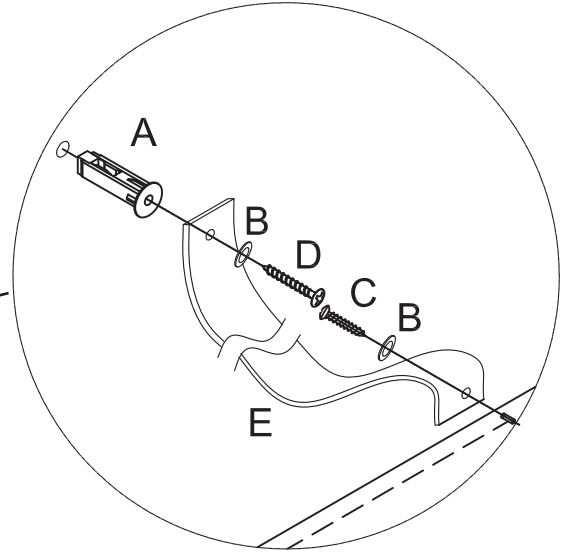




<p>10</p> 	<p>A</p> 	<p>B</p> 	<p>C</p>  <p>D8*3/4"</p>	<p>D</p>  <p>D8*1-1/2"</p>	<p>E</p> 
<p>SAFETY STRAP KIT 1 PC</p>	<p>WALL ANCHOR Ax1 PC</p>	<p>WASHER Bx2PCS</p>	<p>SHORT SCREW Cx1PC</p>	<p>LONG SCREW Dx1PC</p>	<p>SAFETY WALL STRAP Ex1PC</p>

SAFETY WALL STRAP ASSEMBLY INSTRUCTION

- 1) Insert Short Screw Part (C) through Washer Part (B) and Safty Wall Starp Part (E) and screw it into Parts (A).
- 2) Drill a 11/32 hole where you want to secure your entry way bench. The hole should be at the same height as the hole in Part (A).
- 3) Insert Long Screw Part (D) through a Washer Part (B) and Wall Safty Strap Part (E) into Wall Anchor Part (A).

Note: This item is not intended for clothing storage use.



9  X8 11  X3

⚠ WARNING	
 	<p>Children have died from furniture tipover. To reduce the risk of furniture tipover:</p> <ul style="list-style-type: none"> . ALWAYS install tipover restraint provided. . NEVER put a TV on this product. . NEVER allow children to stand, climb or hang on drawers, doors, or shelves. . NEVER open more than one drawer at a time. . Place heaviest items in the lowest drawers. <p style="text-align: right;"><i>This is a permanent label. Do not remove!</i></p>

Step 9. Carefully turn assembled cabinet right side up. Attach Panel (F) and fixed Panel (E) using Screw (Part#9). Put Sponge (Part#11) on the Front Frame (J) into Left Side Frame (G) and Right Side Frame (H).