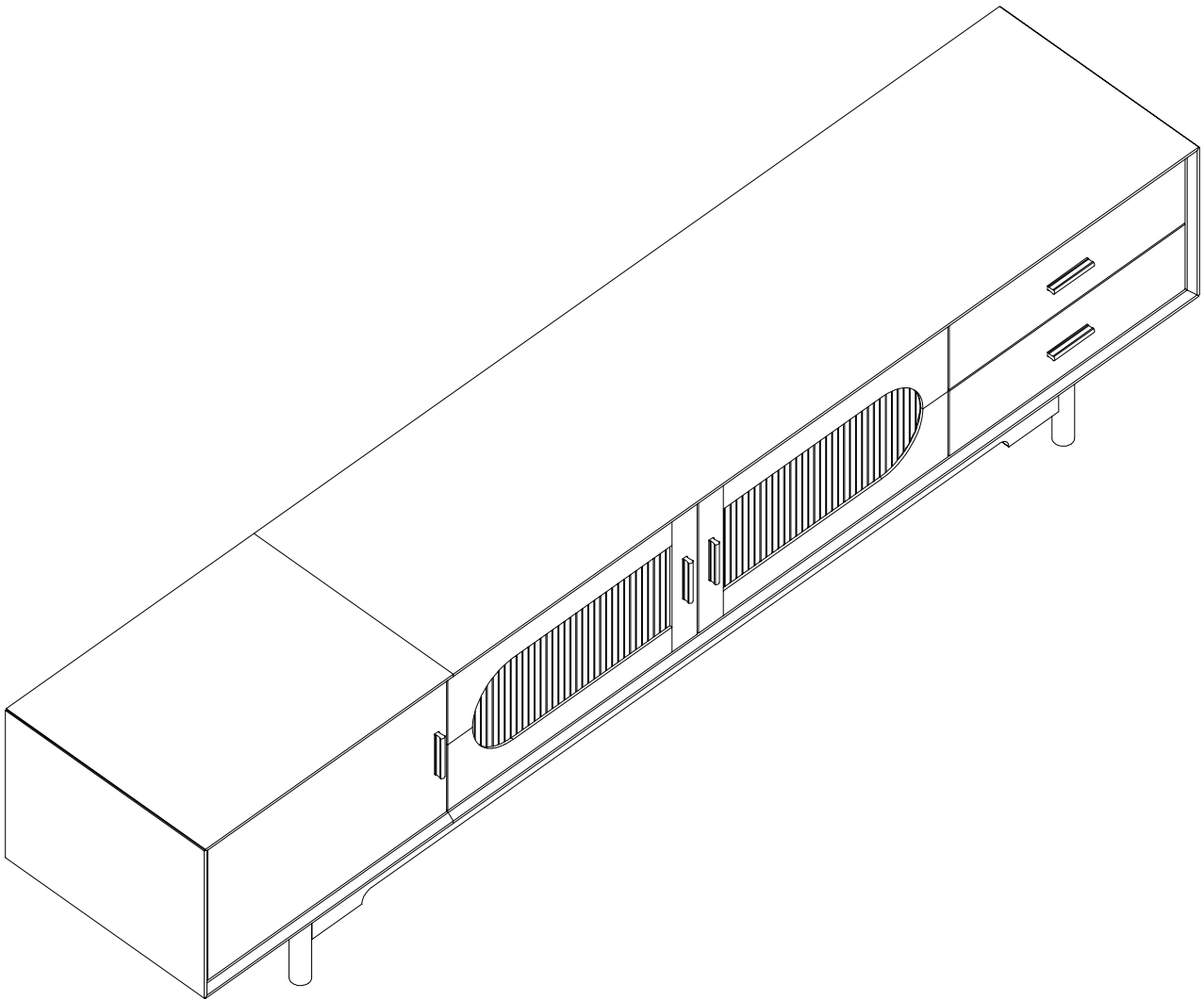


# TV STAND

Assembly Instructions - Please keep for future reference.



## DIMENSIONS

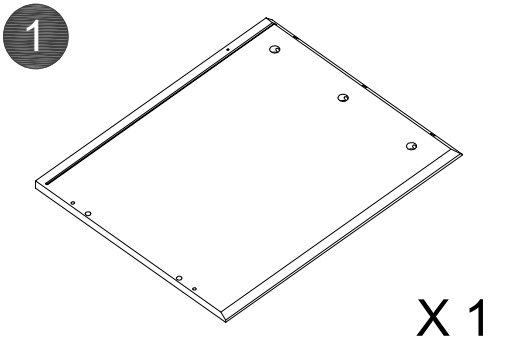
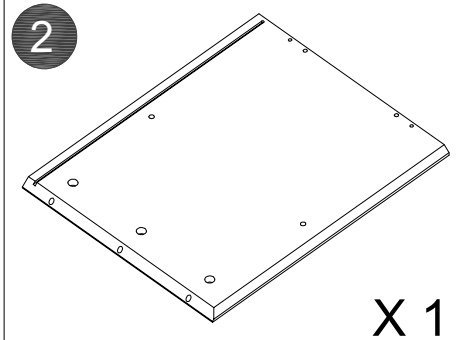
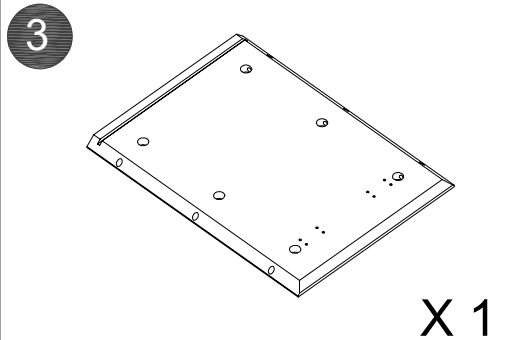
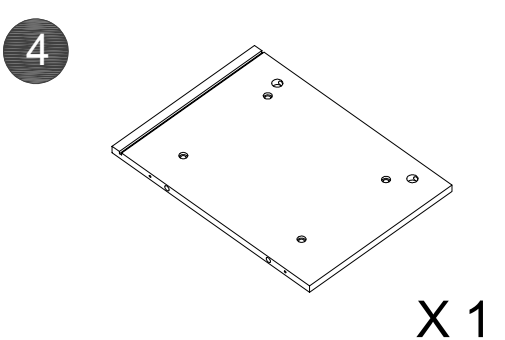
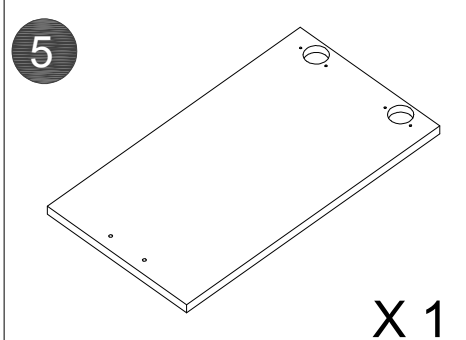
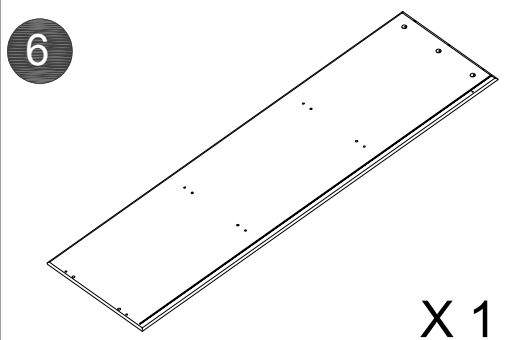
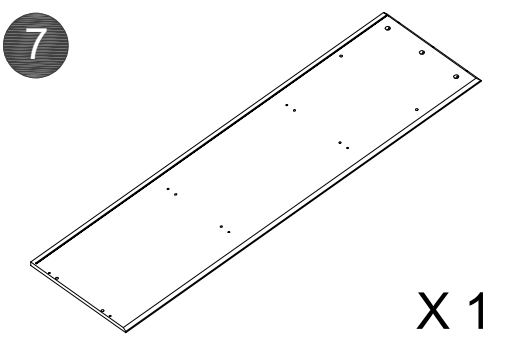
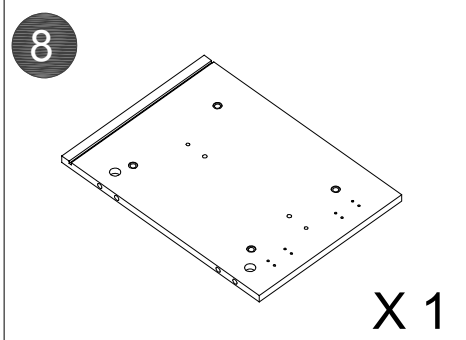
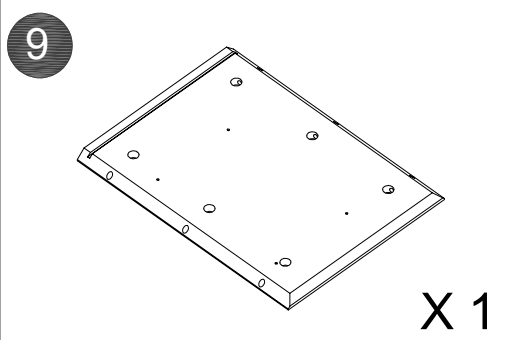
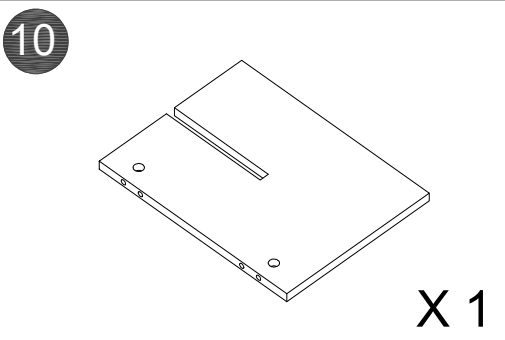
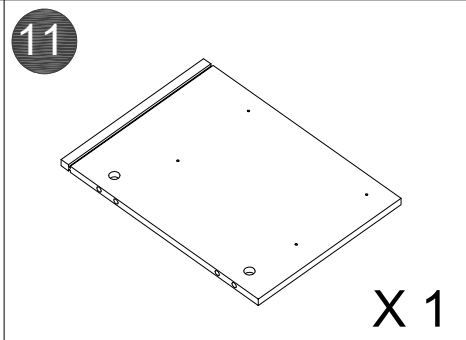
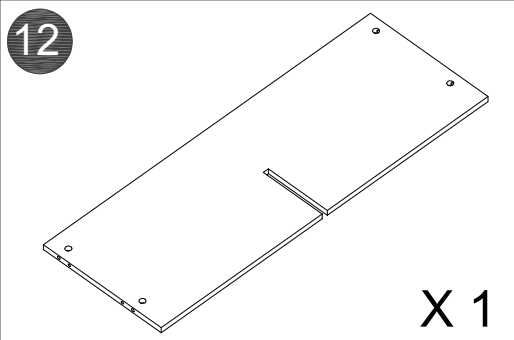
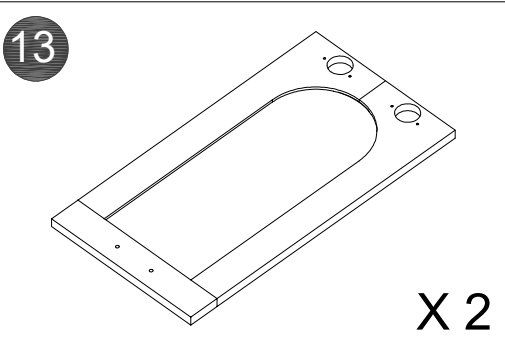
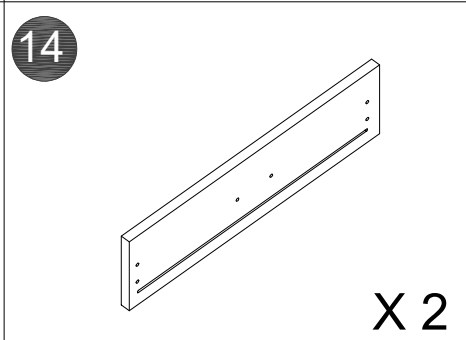
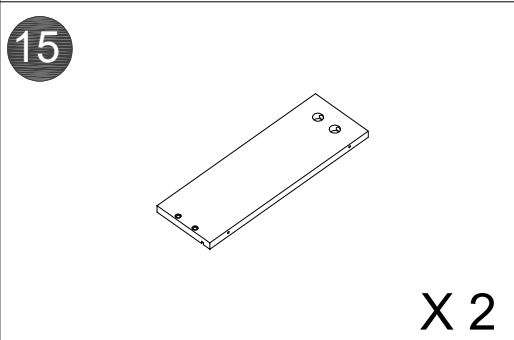
width-78.75inch  
Depth-15.75inch  
Height-17.75inch

**Important - Please read these instructions fully before starting assembly.**

# components - fittings

Please check you have all the panels listed below.

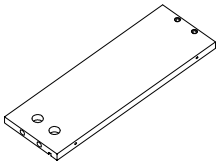
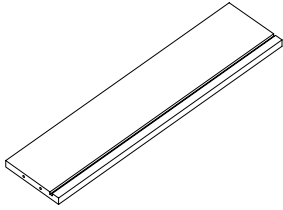
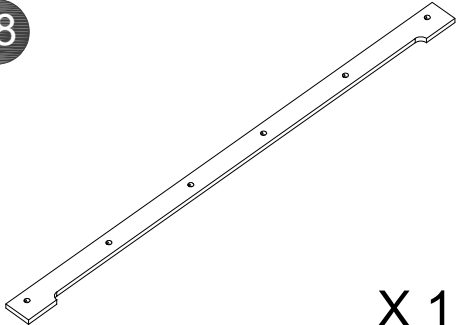
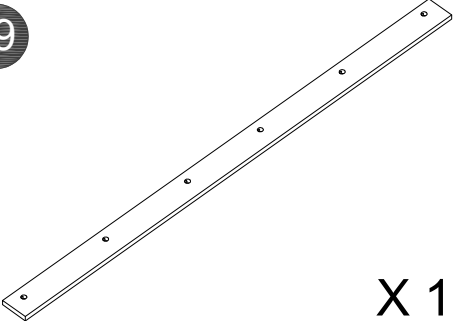
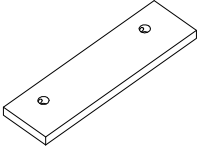
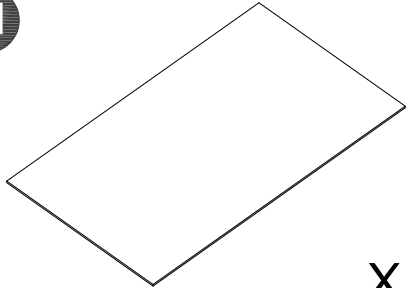
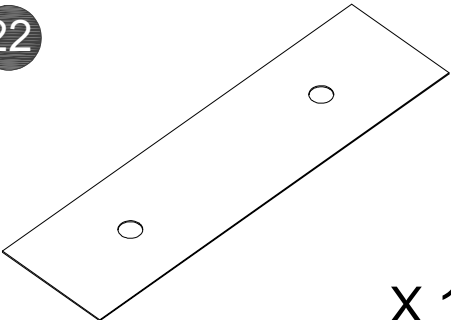


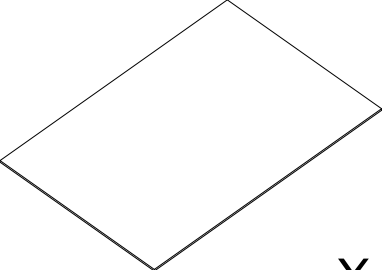
Note: The quantities below are the correct amount to complete the assembly. In some cases more fittings may be supplied than are required.

 <p>1</p> <p>X 1</p>	 <p>2</p> <p>X 1</p>	 <p>3</p> <p>X 1</p>
 <p>4</p> <p>X 1</p>	 <p>5</p> <p>X 1</p>	 <p>6</p> <p>X 1</p>
 <p>7</p> <p>X 1</p>	 <p>8</p> <p>X 1</p>	 <p>9</p> <p>X 1</p>
 <p>10</p> <p>X 1</p>	 <p>11</p> <p>X 1</p>	 <p>12</p> <p>X 1</p>
 <p>13</p> <p>X 2</p>	 <p>14</p> <p>X 2</p>	 <p>15</p> <p>X 2</p>

# components - fittings

Please check you have all the panels listed below.

Note: The quantities below are the correct amount to complete the assembly. In some cases more fittings may be supplied than are required.




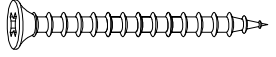
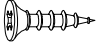
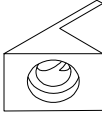
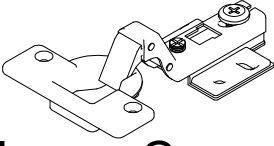
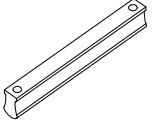

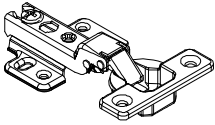
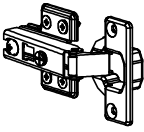


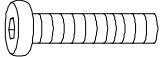
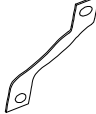
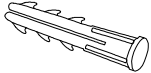
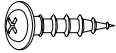
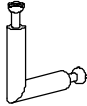
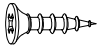
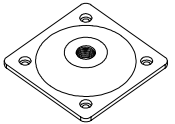


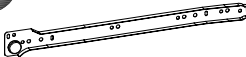
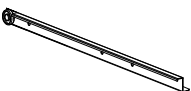
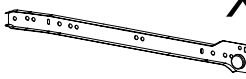
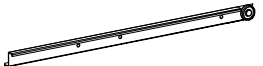
 <p>16</p> <p>X 2</p>	 <p>17</p> <p>X 2</p>	 <p>18</p> <p>X 1</p>
 <p>19</p> <p>X 1</p>	 <p>20</p> <p>X 2</p>	 <p>21</p> <p>X 2</p>
 <p>22</p> <p>X 1</p>	 <p>23</p> <p>X 4</p>	 <p>24</p> <p>X 2</p>
 <p>25</p> <p>X 2</p>		

# components - fittings

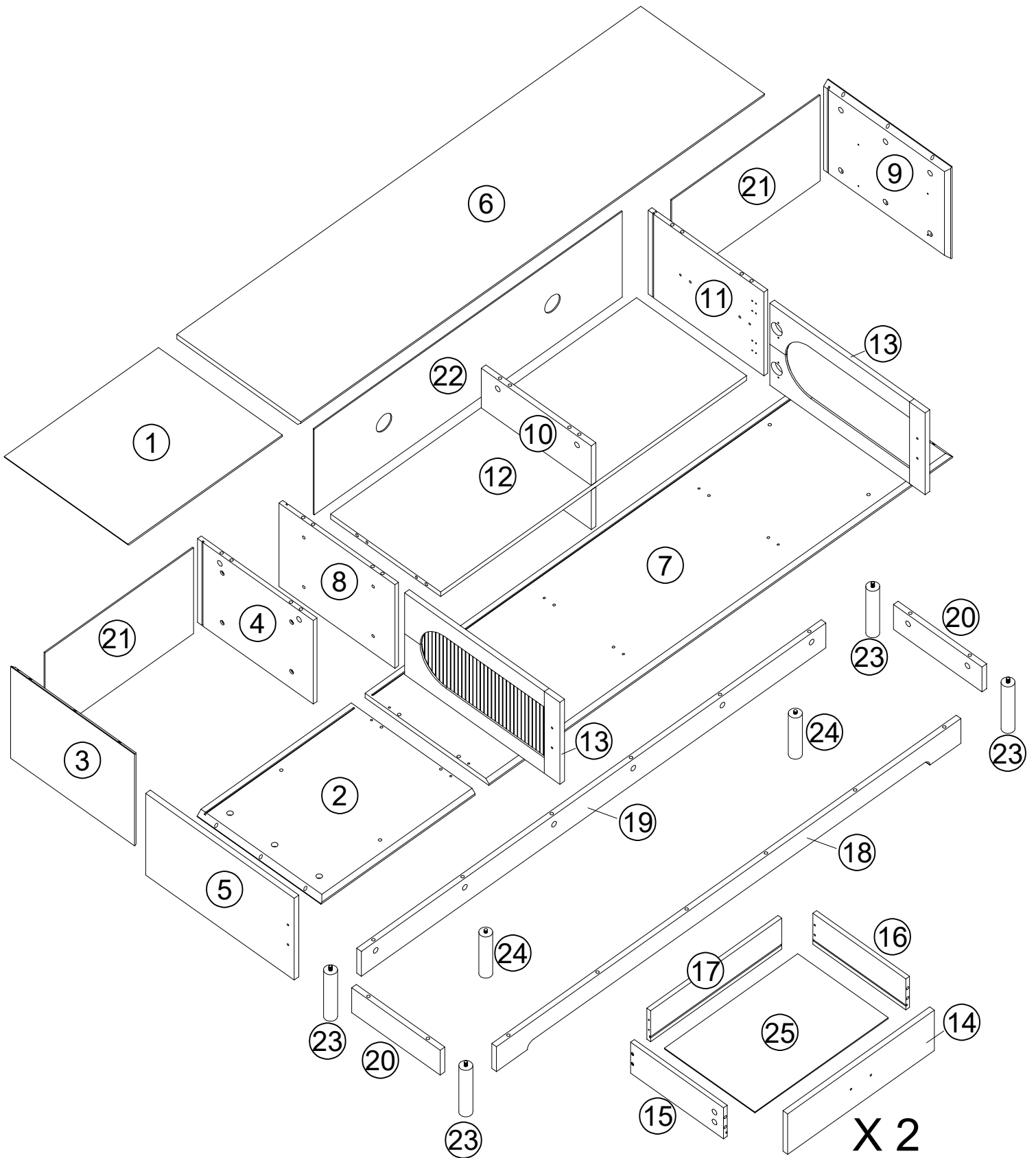
Please check you have all the panels listed below.

Note: The quantities below are the correct amount to complete the assembly. In some cases more fittings may be supplied than are required.

## Hardware-Liste

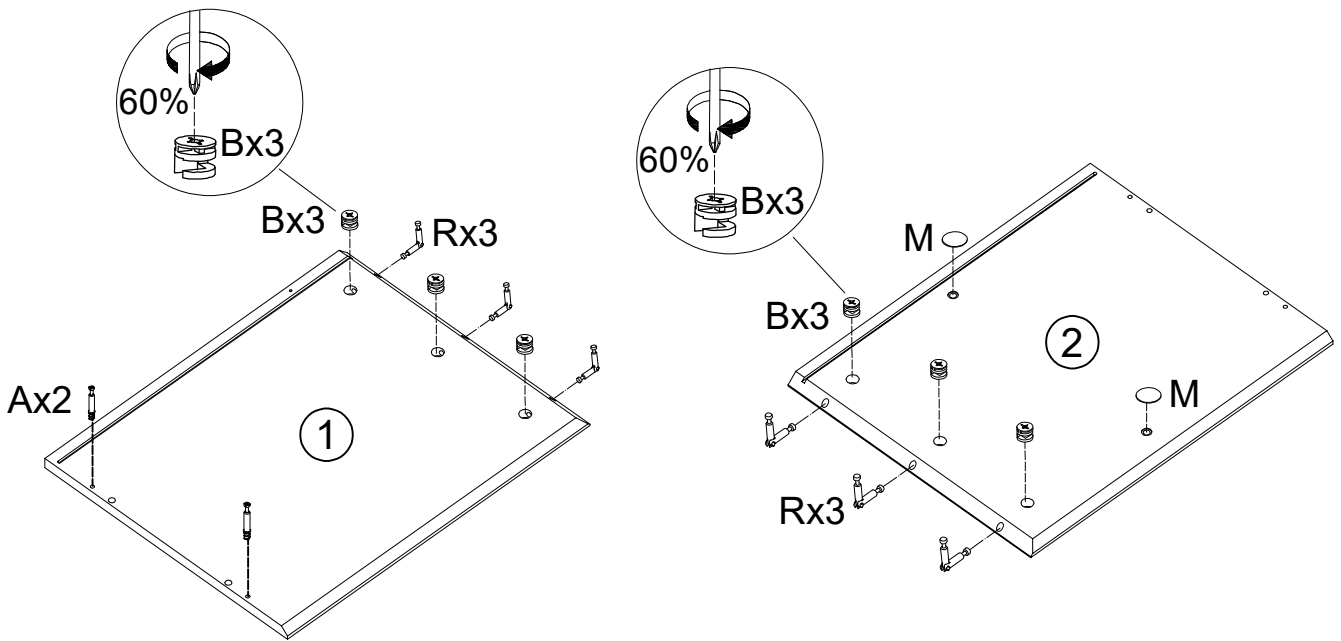
<p><b>A</b> X 36</p>  <p>M6x35mm</p>	<p><b>B</b> X 60</p>  <p>Φ15mm</p>	<p><b>C</b> X 20</p>  <p>Φ6x30mm</p>	<p><b>D</b> X 18</p>  <p>M4x35mm</p>
<p><b>E</b> X 52</p>  <p>M3.5x14mm</p>	<p><b>F</b> X 12</p> 	<p><b>G</b> X 2</p>  <p>Large Curved</p>	<p><b>H</b> X 5</p> 
<p><b>I</b> X 10</p>  <p>M4x18mm</p>	<p><b>J</b> X 2</p>  <p>Small Curved</p>	<p><b>K</b> X 2</p> 	<p><b>L</b> X 4</p>  <p>EVA</p>
<p><b>M</b> X32</p>  <p>Ø20mm</p>	<p><b>N</b> X4</p>  <p>M6x18mm</p>	<p><b>O</b> X 2</p> 	<p><b>P</b> X 2</p> 
<p><b>Q</b> X 10</p>  <p>M4x14mm</p>	<p><b>R</b> X12</p>  <p>M6x45mm</p>	<p><b>S</b> X 12</p>  <p>M3.5x12mm</p>	<p><b>T</b> X2</p> 
<p><b>U</b> X2</p> 	<p><b>V</b> X1</p>  <p>4#</p>	<p><b>CL</b> X2</p> 	<p><b>DL</b> X2</p> 
		<p><b>CR</b> X2</p> 	<p><b>DR</b> X2</p> 



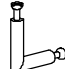

# Assembly Instructions



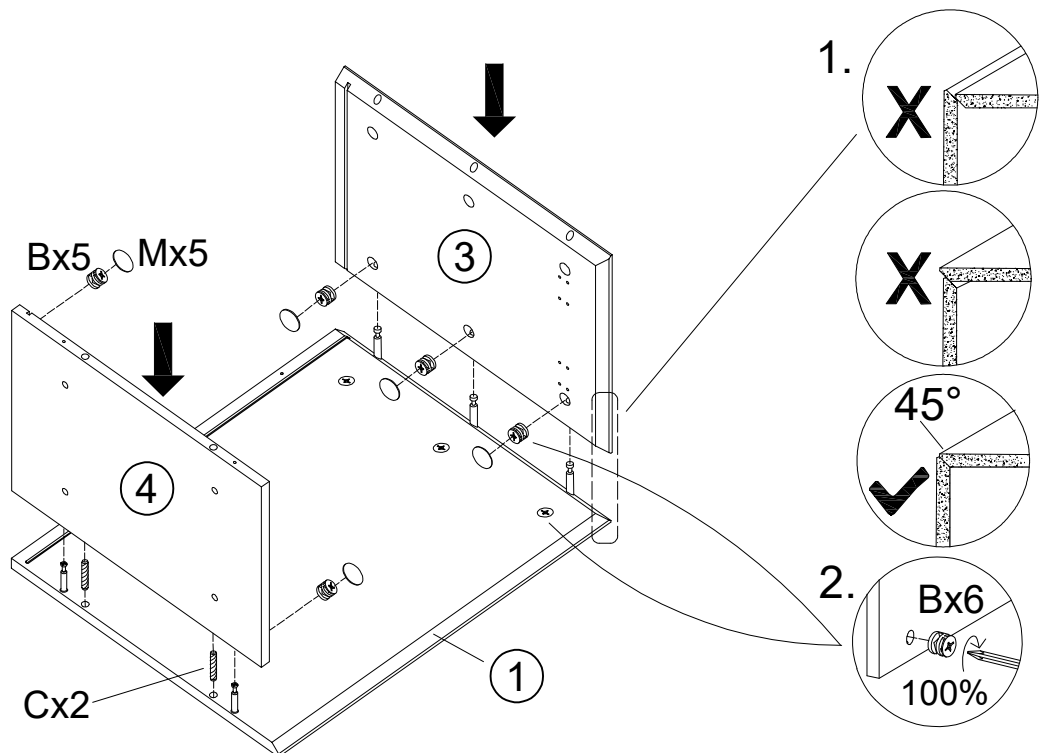
# Assembly Instructions


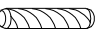
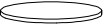
## STEP 1



A	x2	B	x6	R	x6	M	x2
							
M6x35mm		Ø15mm		M6x45mm		Φ20mm	

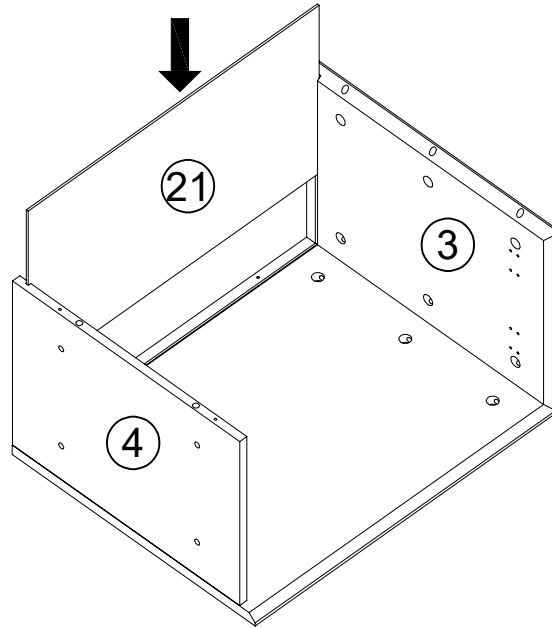
## STEP 2



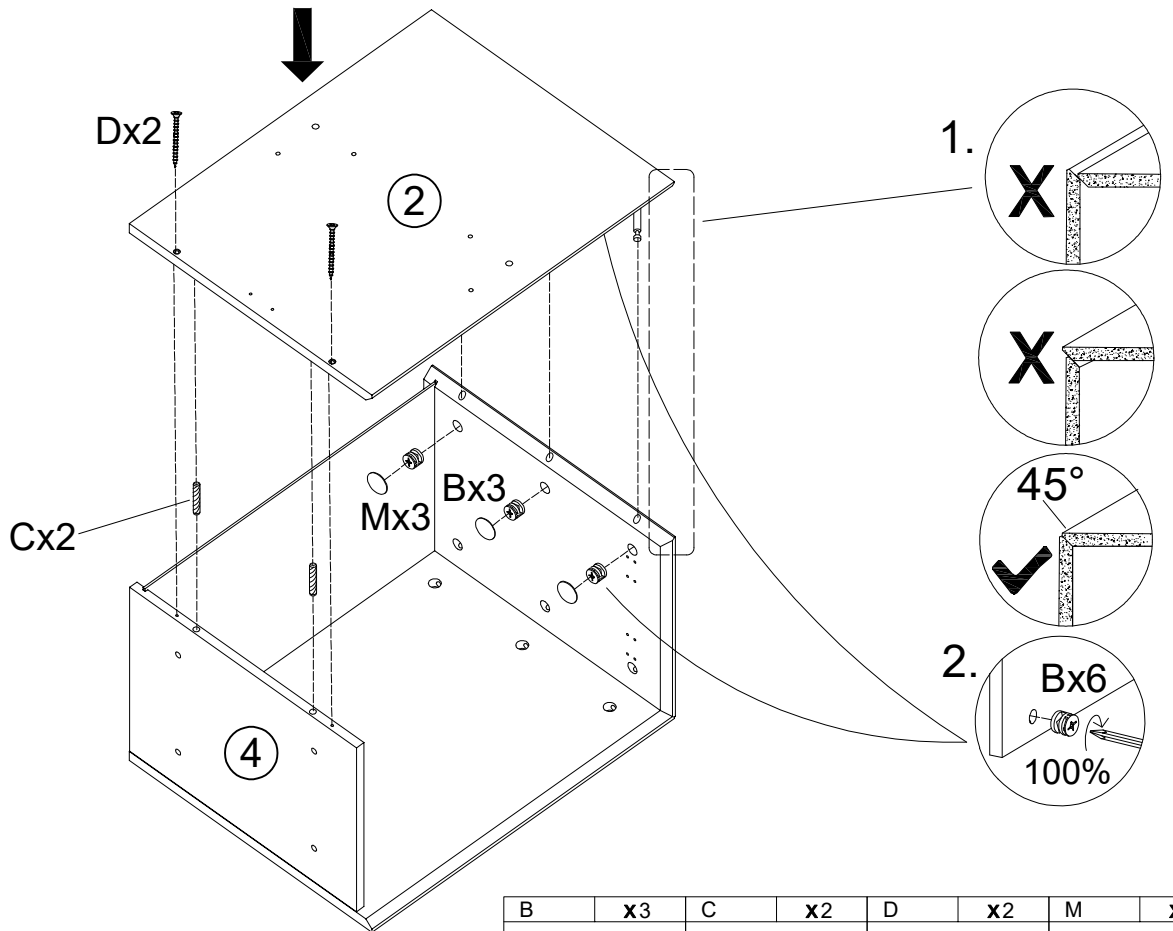
B	x5	C	x2	M	x5
					
Ø15mm		Φ6x30mm		Φ20mm	

# Assembly Instructions

## STEP 3



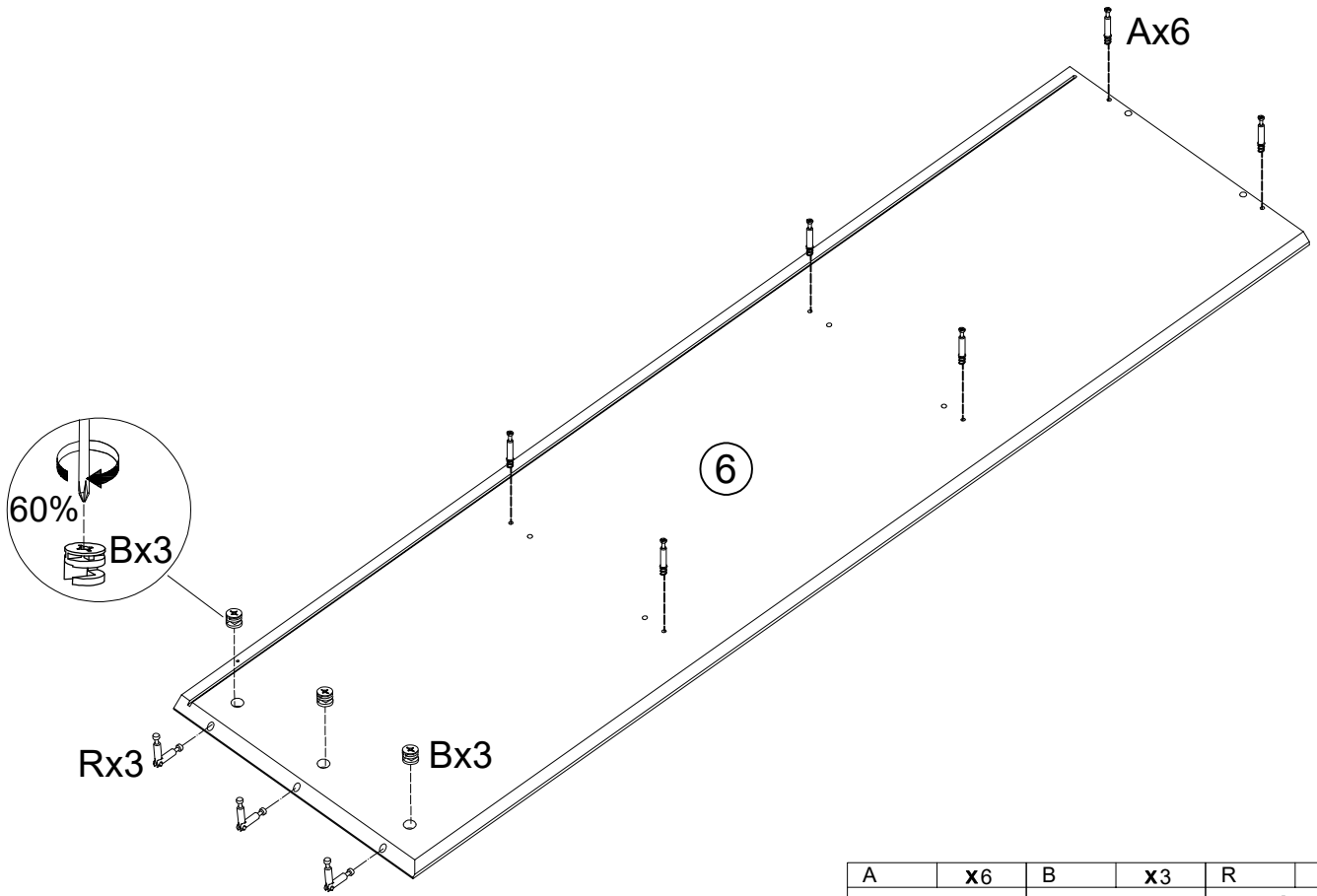
## STEP 4

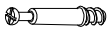

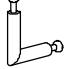


B	x3	C	x2	D	x2	M	x3
Ø15mm		Φ6x30mm		M4x35mm		Φ20mm	

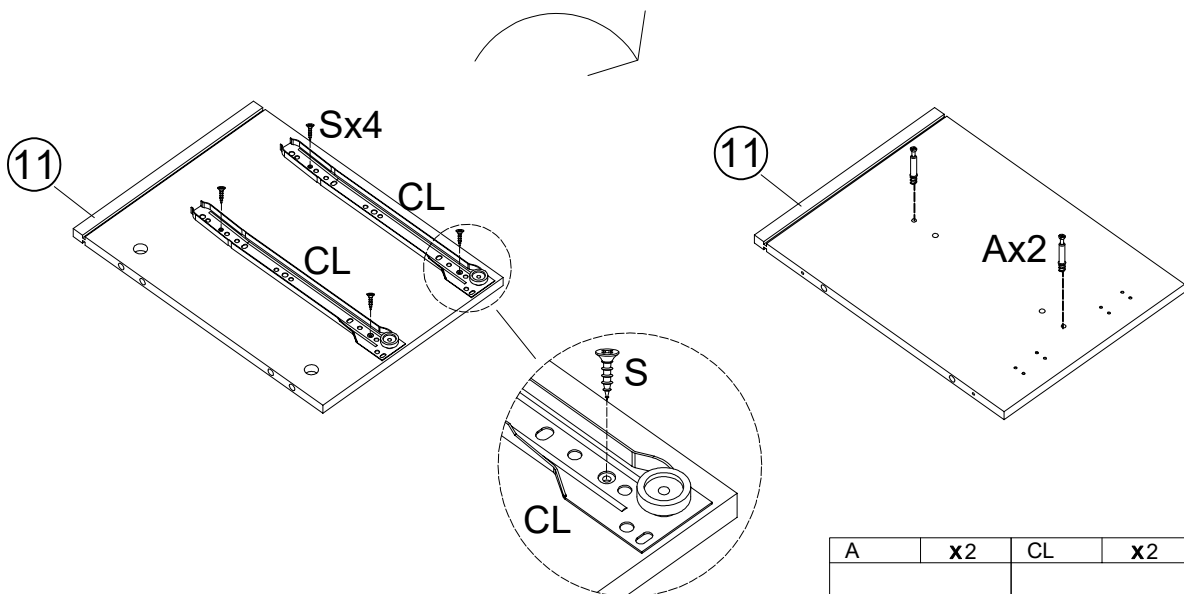
# Assembly Instructions

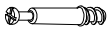

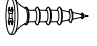
## STEP 5



A	x6	B	x3	R	x3
					
M6x35mm		Ø15mm		M6x45mm	

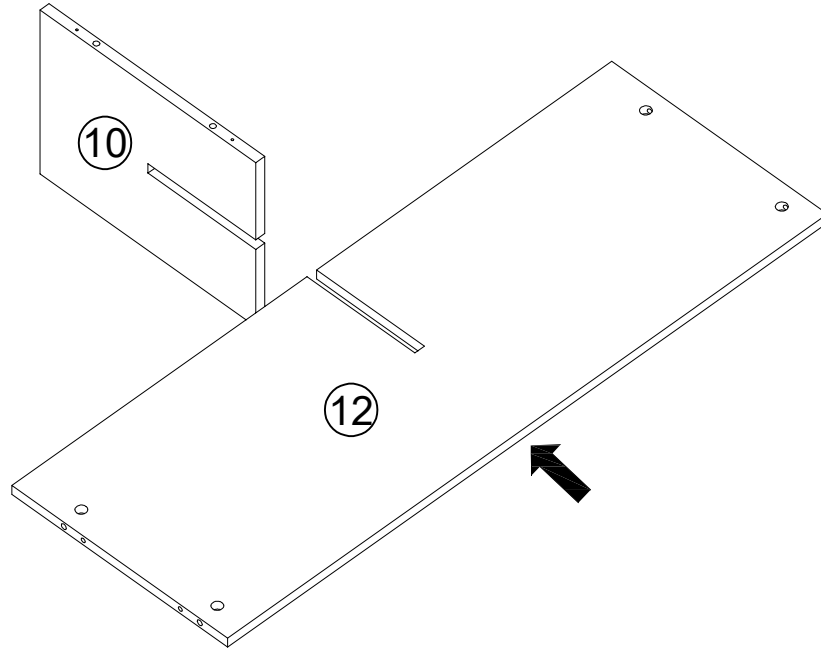
## STEP 6



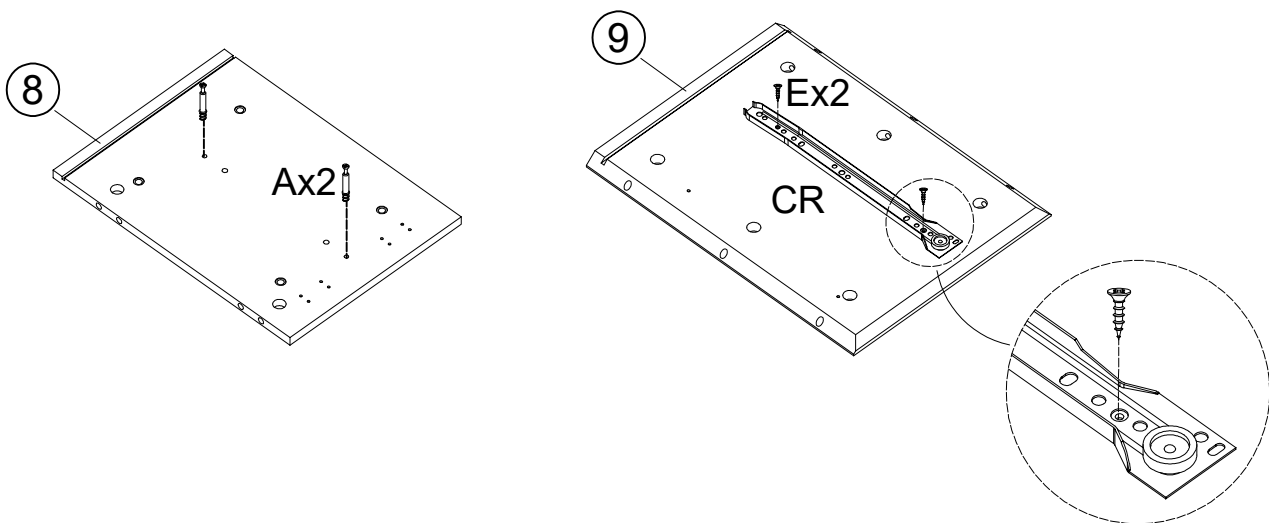
A	x2	CL	x2	S	x4
					
M6x35mm				M3.5x12mm	



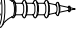
# Assembly Instructions

## STEP 7



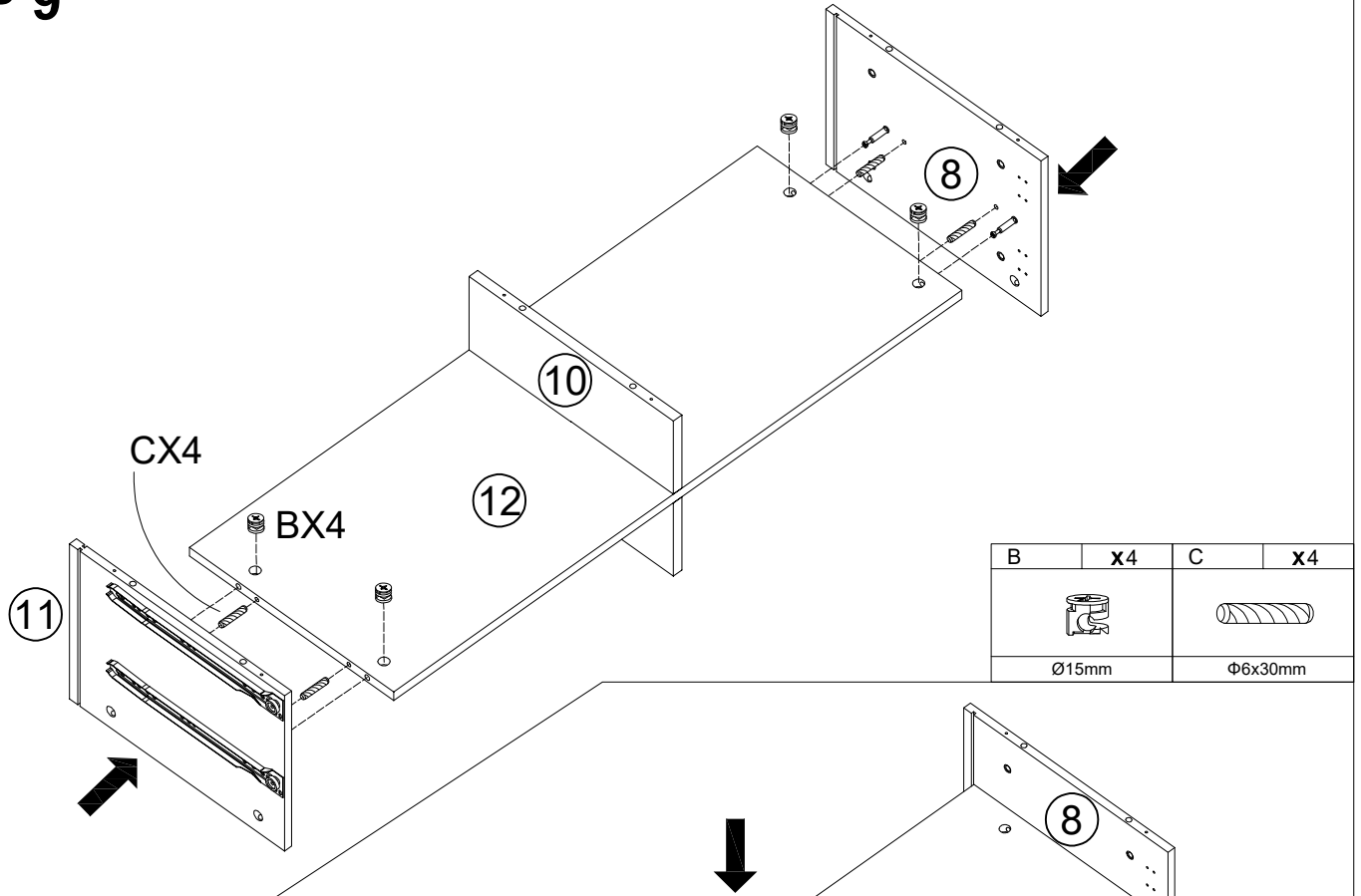
## STEP 8



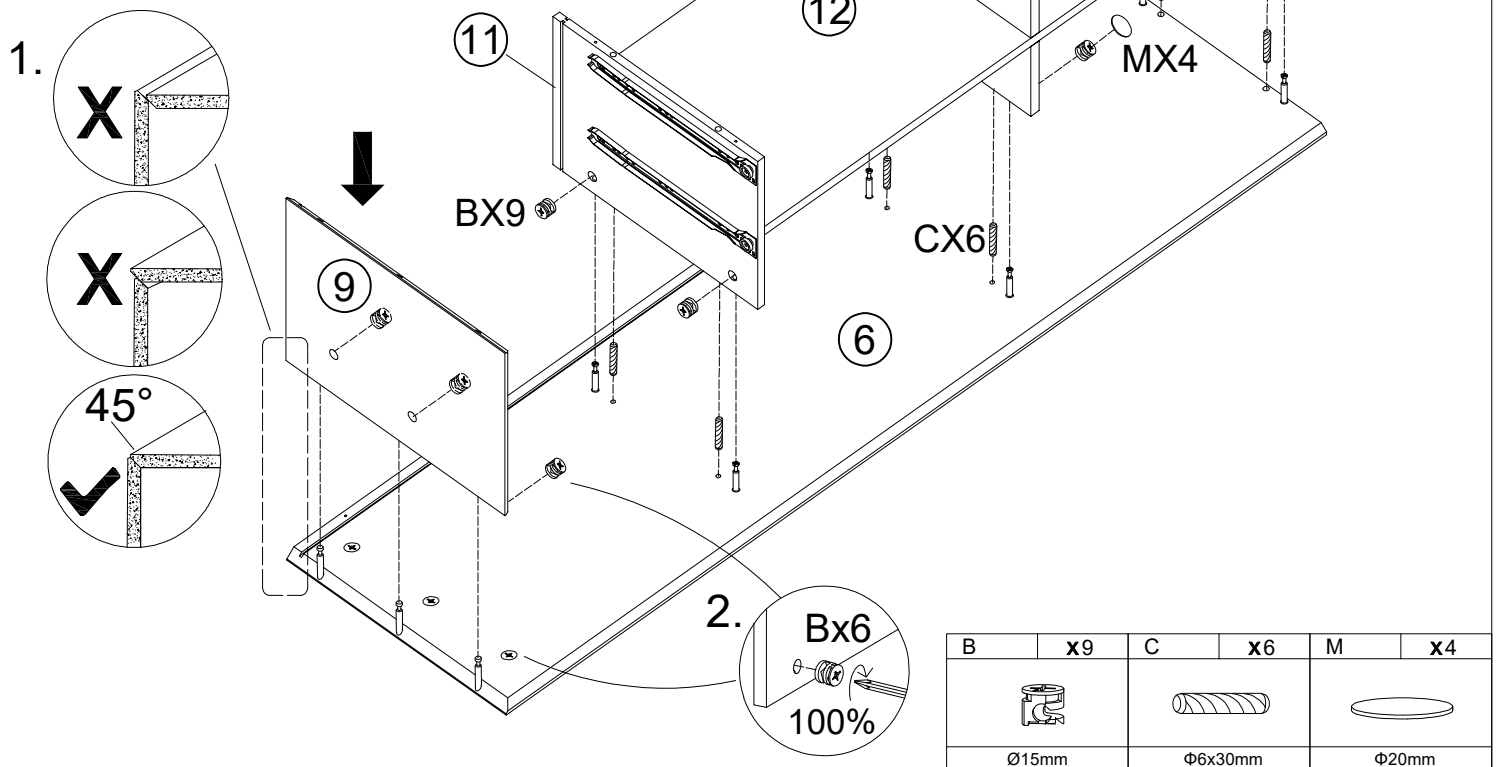
A	x2	CR	x1	E	x2
					
M6x35mm				M3.5x14mm	

# Assembly Instructions

## STEP 9

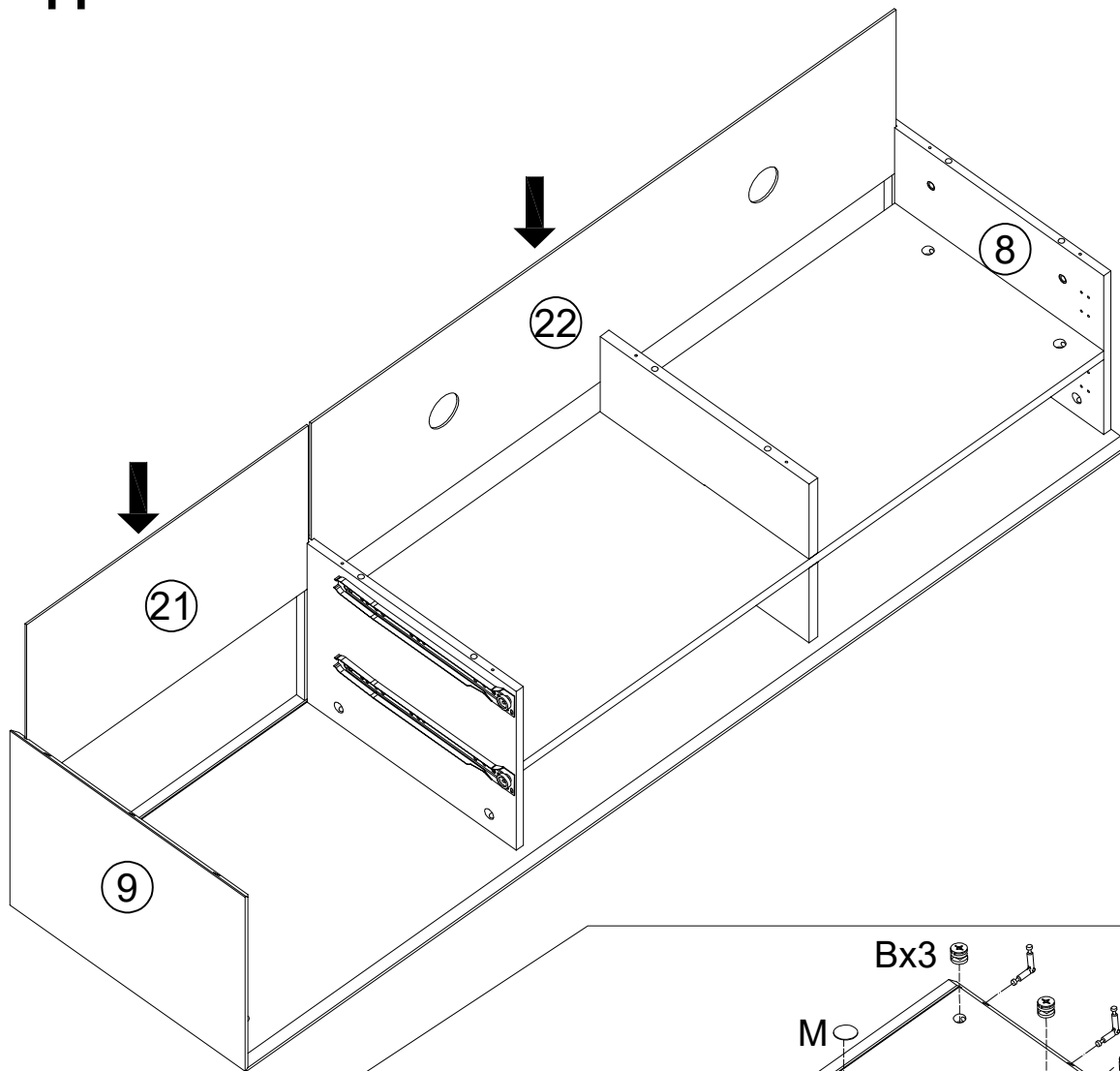


## STEP 10

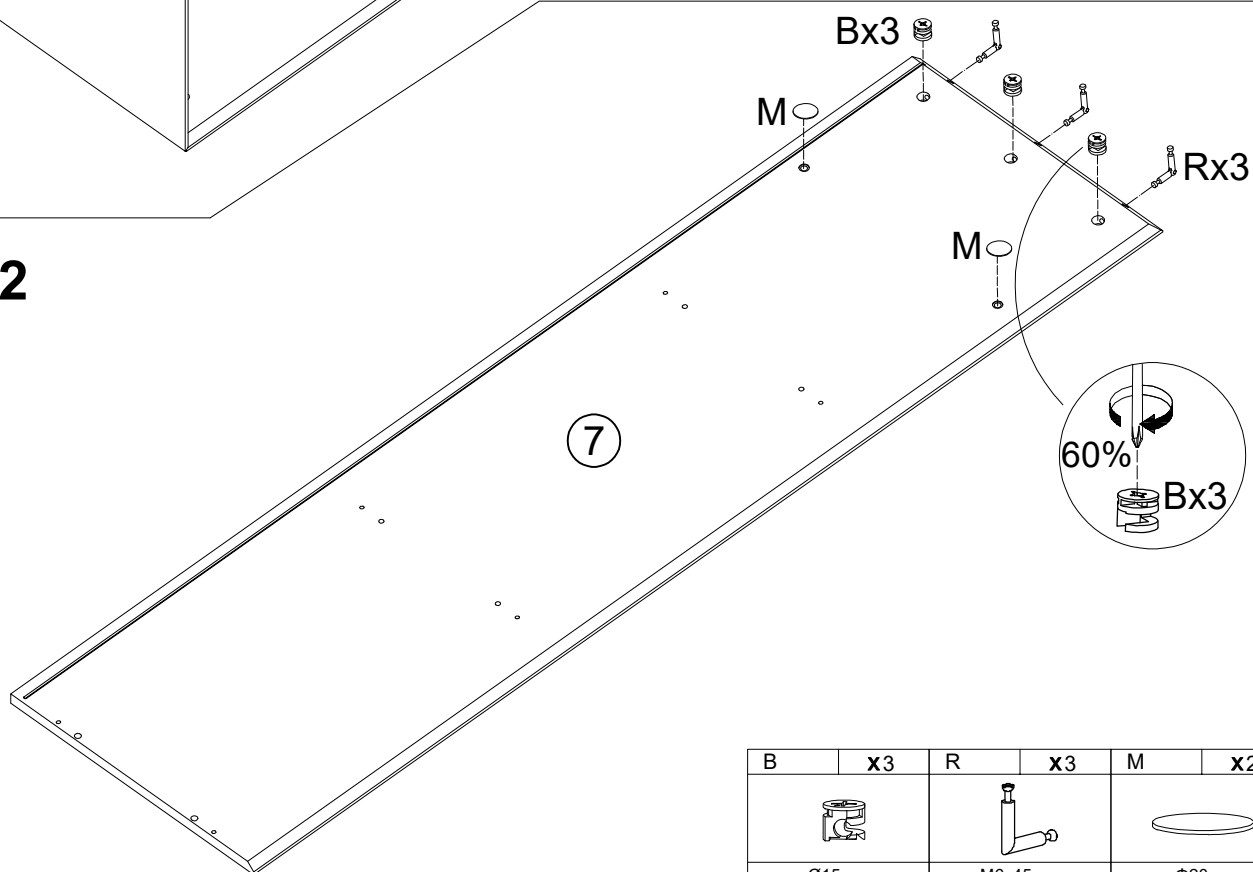


# Assembly Instructions

## STEP 11



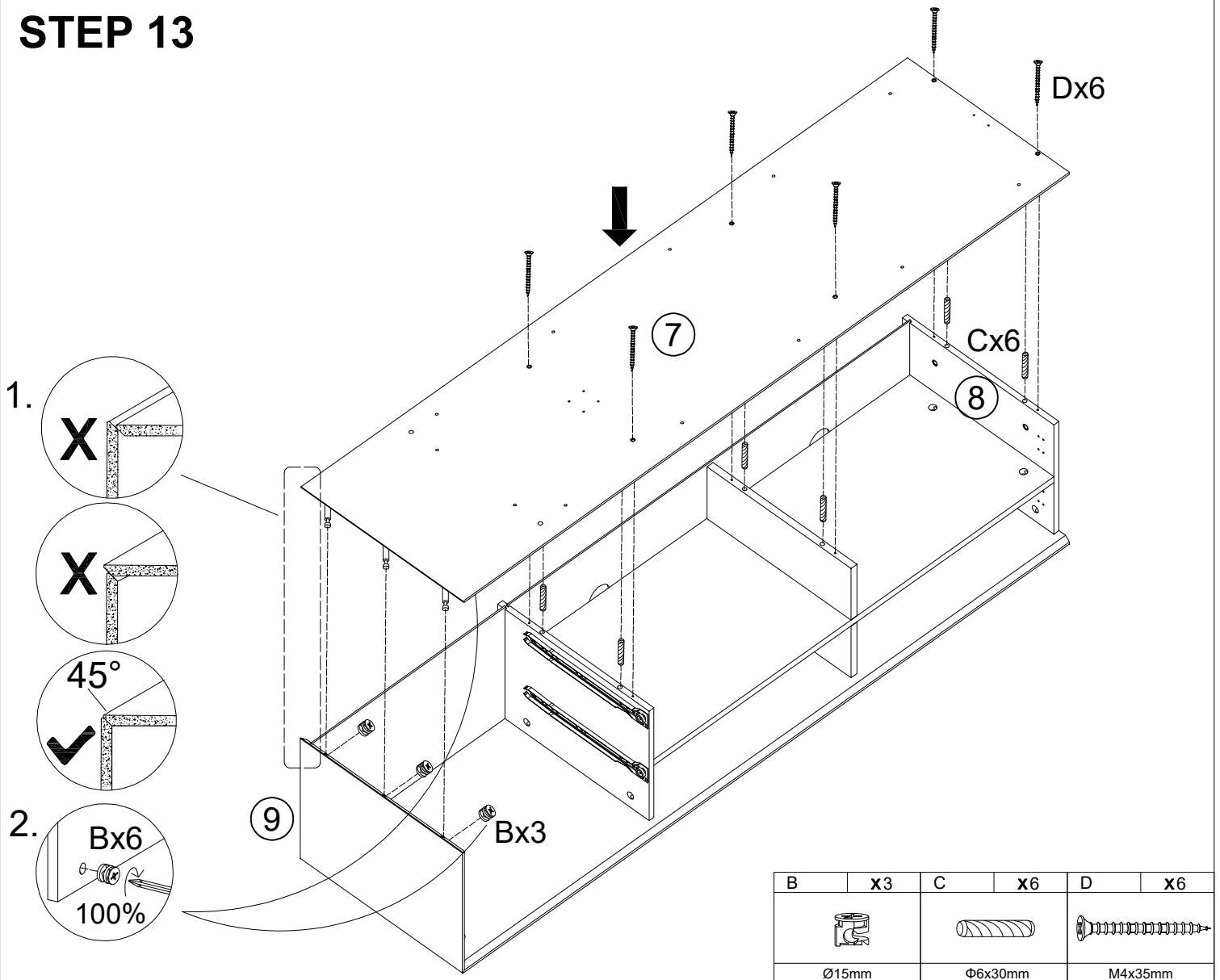
## STEP 12



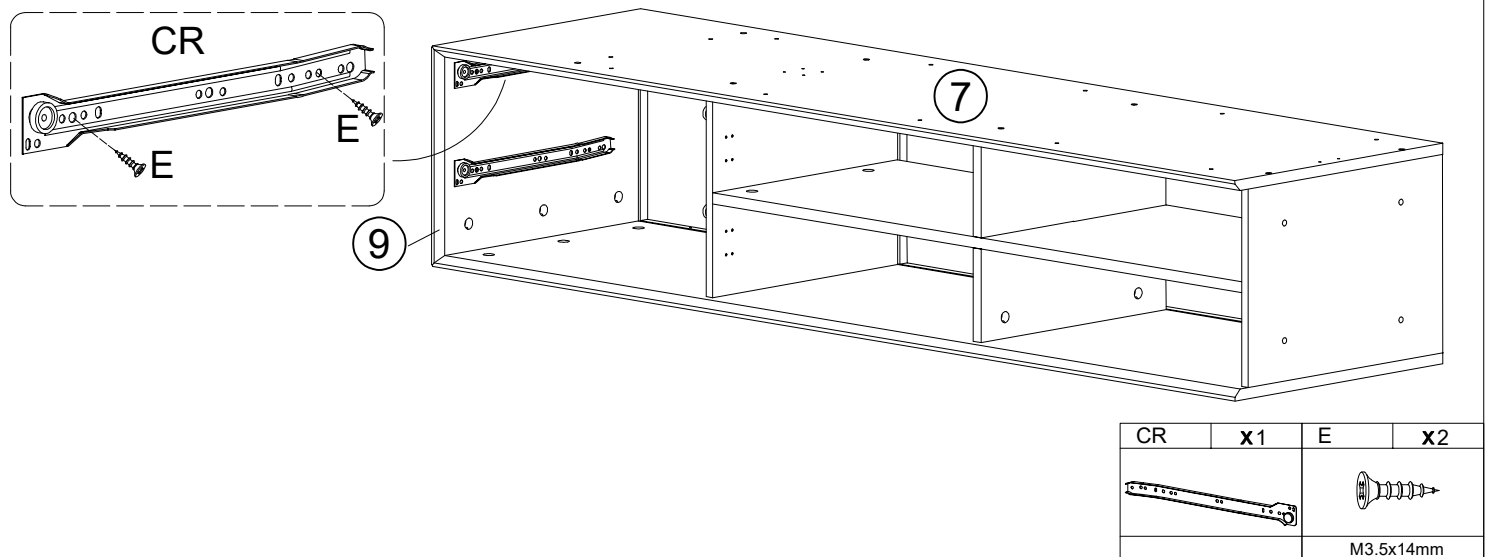
B	x3	R	x3	M	x2
Ø15mm		M6x45mm		Φ20mm	

# Assembly Instructions

## STEP 13

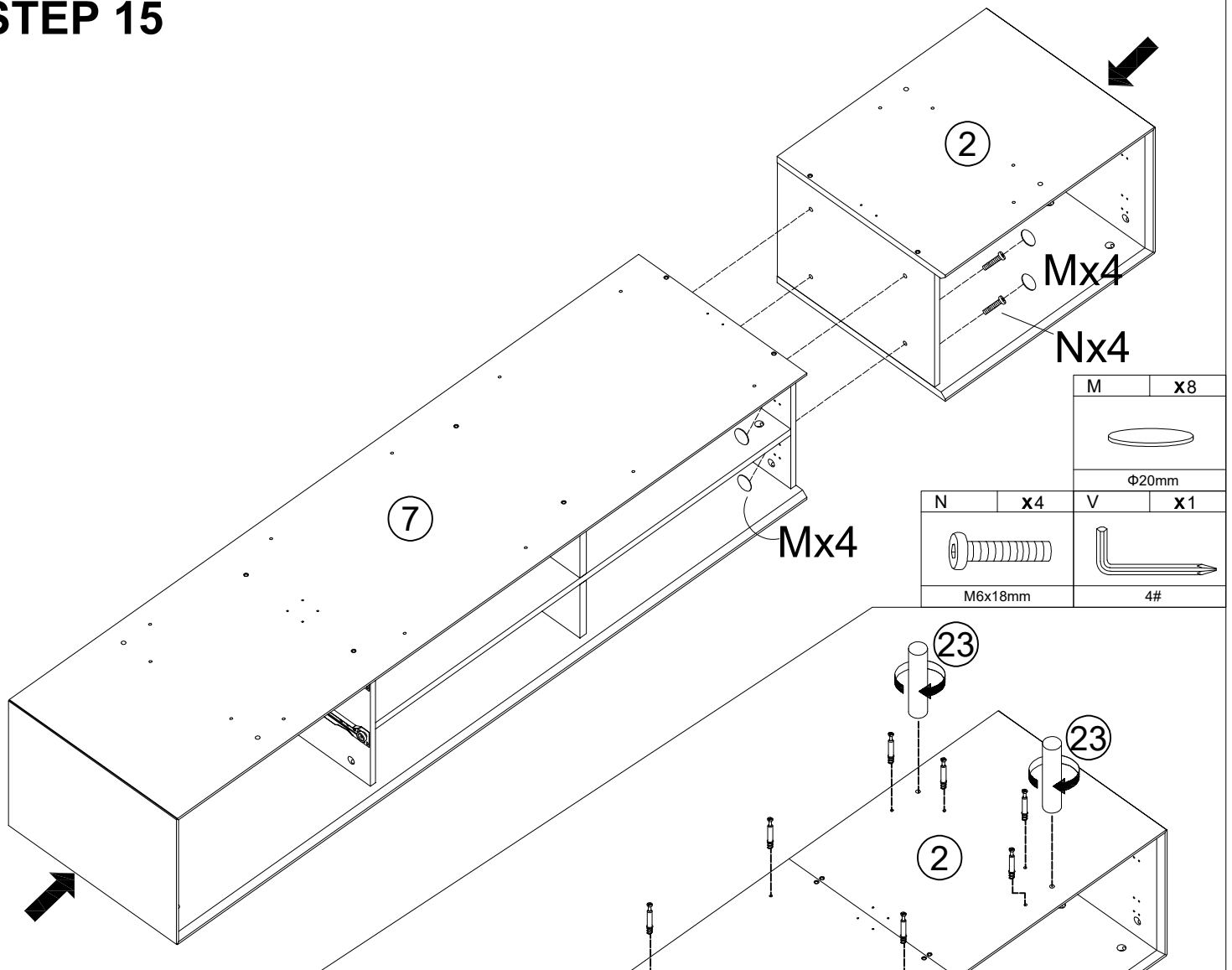


## STEP 14

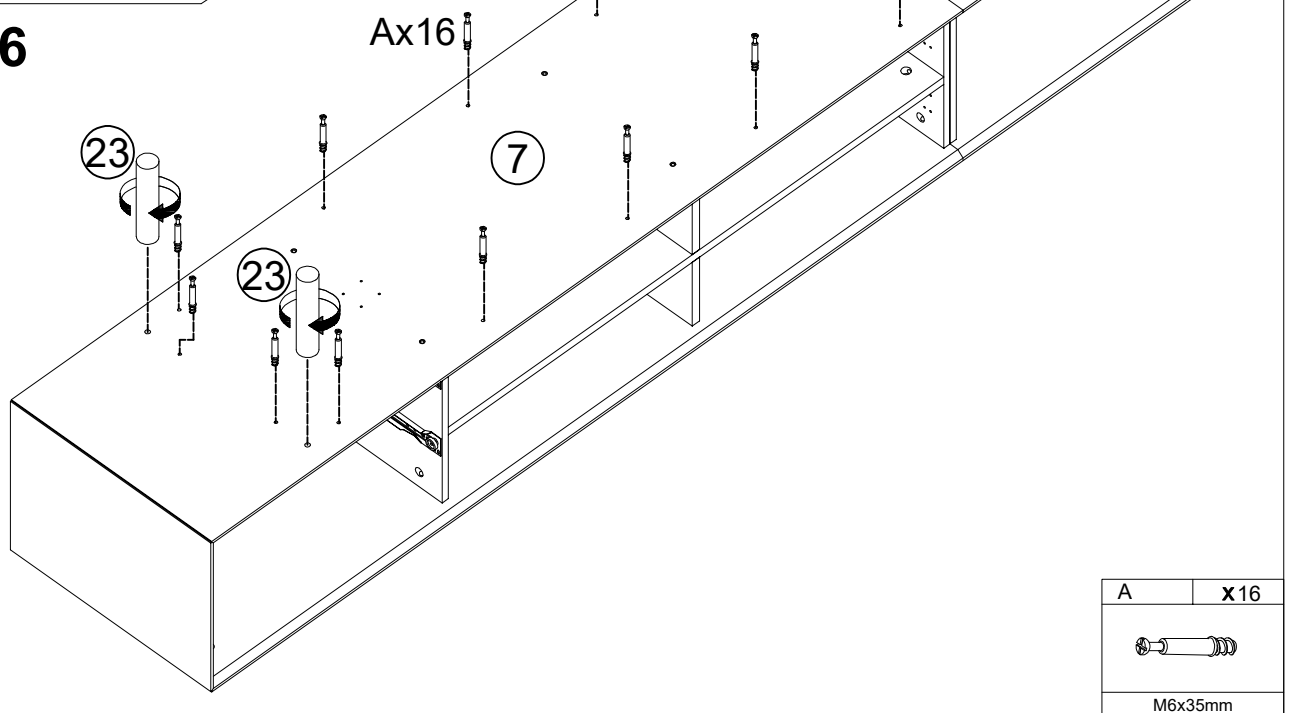


# Assembly Instructions

## STEP 15

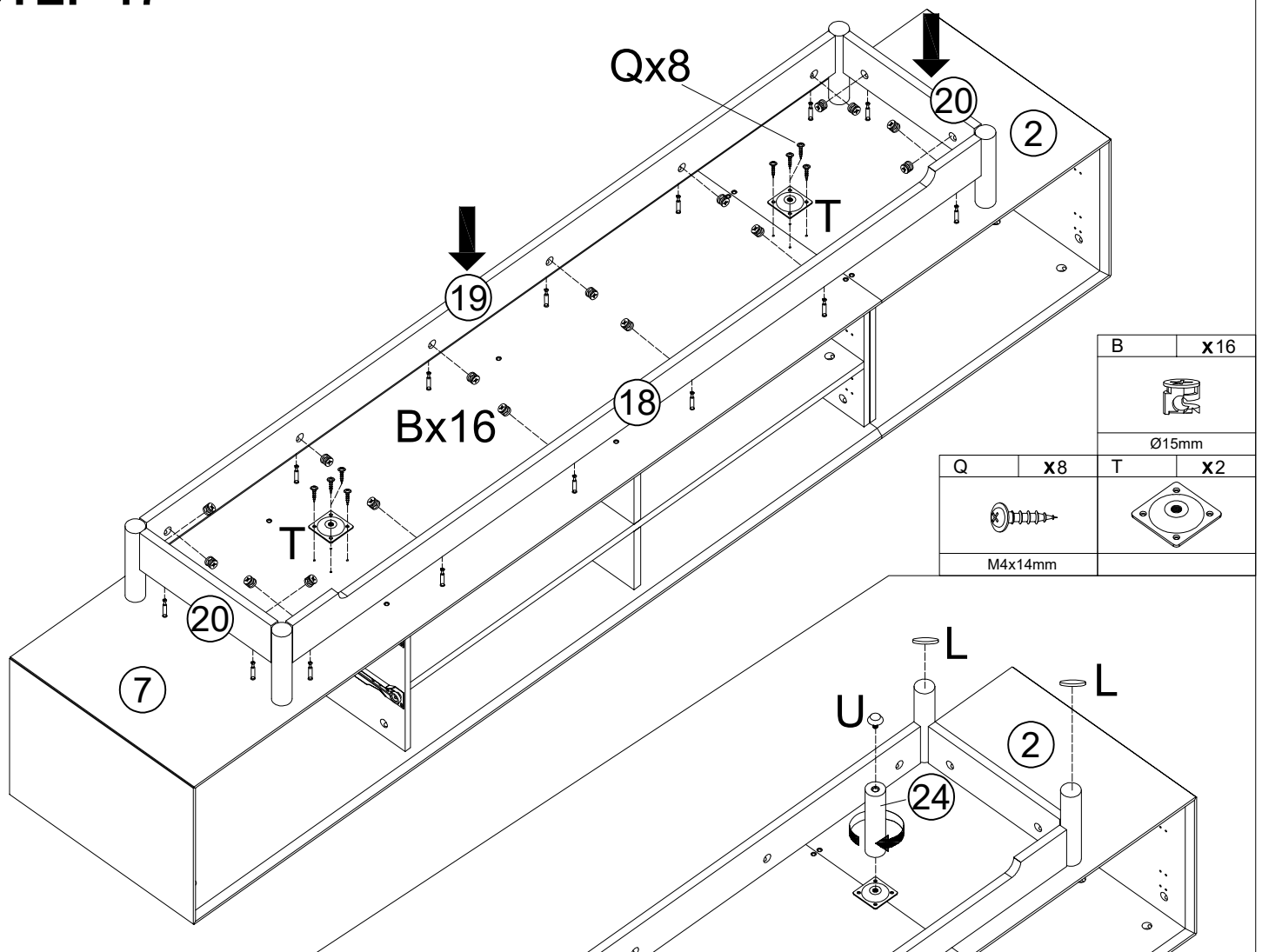


## STEP 16

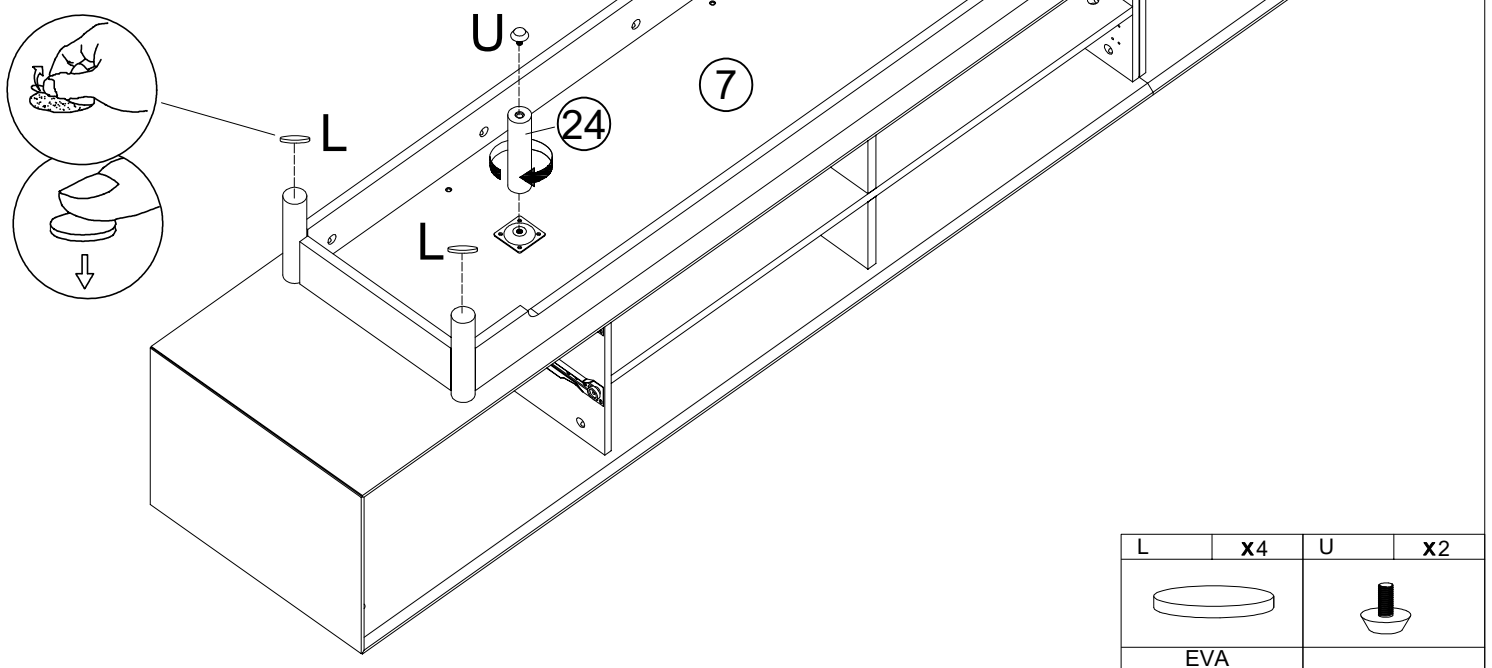


# Assembly Instructions

## STEP 17

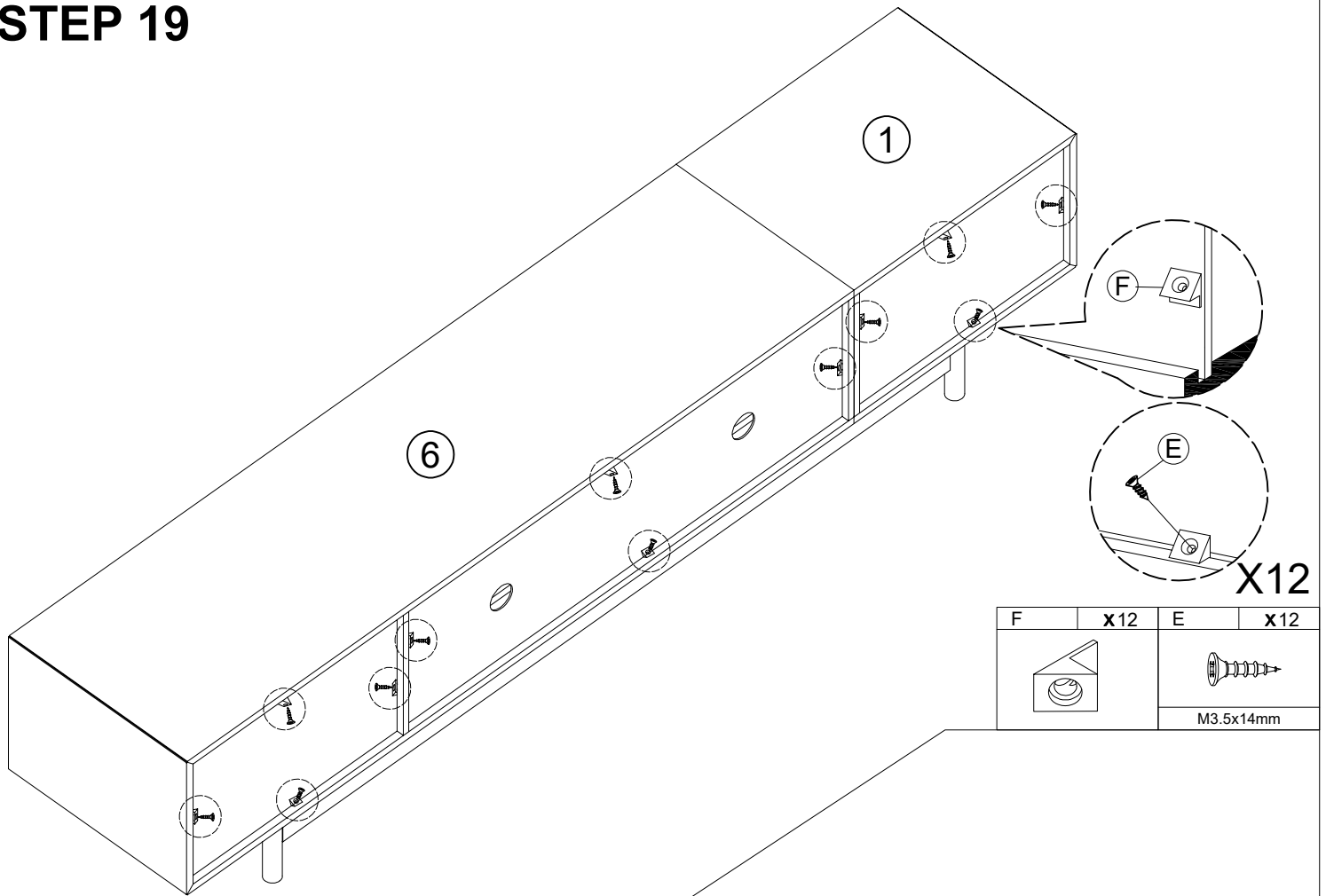


## STEP 18

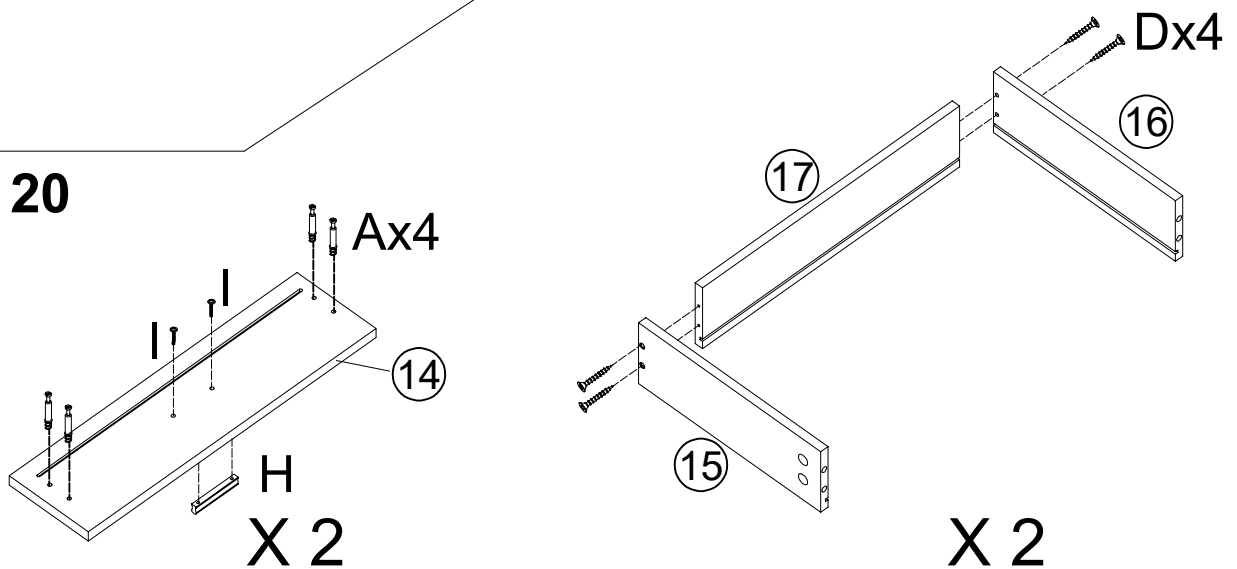


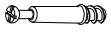
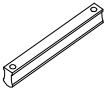

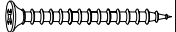
# Assembly Instructions

## STEP 19



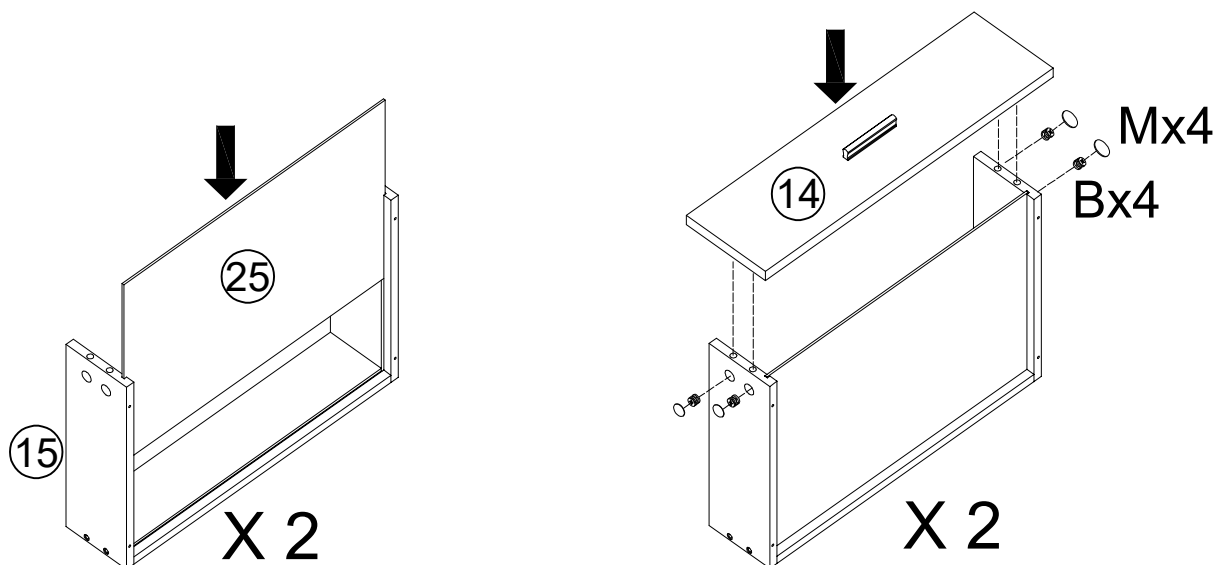
## STEP 20


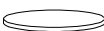


A	x8	H	x2	I	x4	D	x8
							
M6x35mm				M4x18mm		M4x35mm	

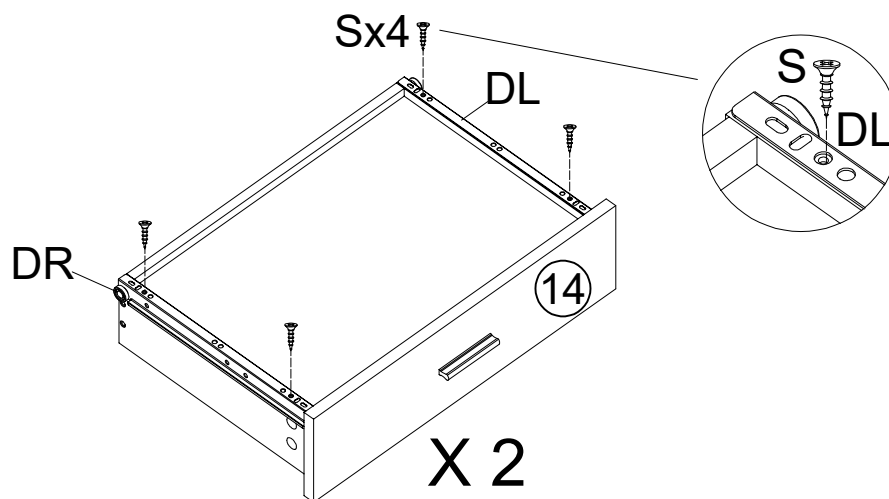
# Assembly Instructions

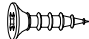


## STEP 21



B	x8	M	x8
			
Ø15mm		Φ20mm	

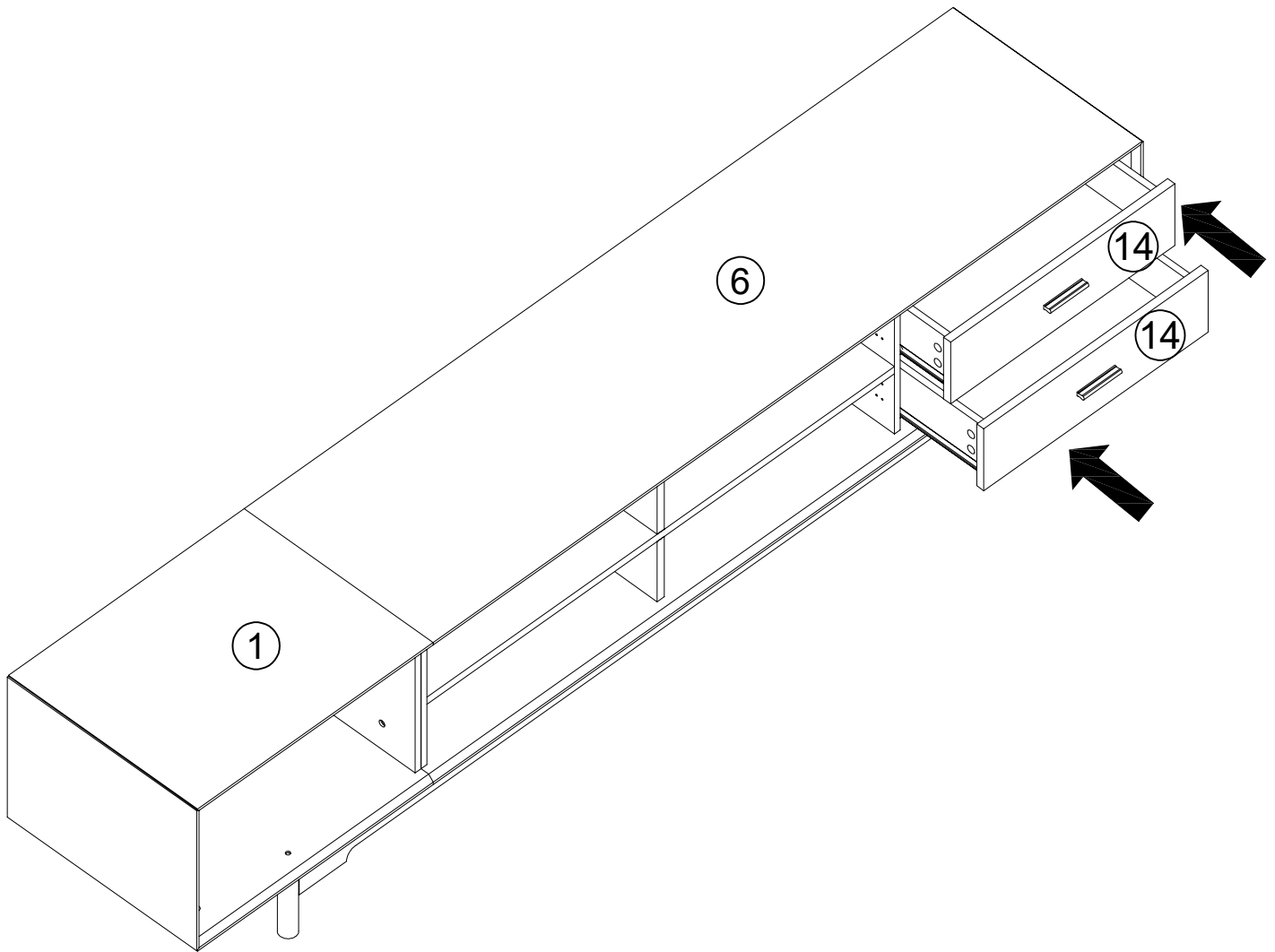
## STEP 22



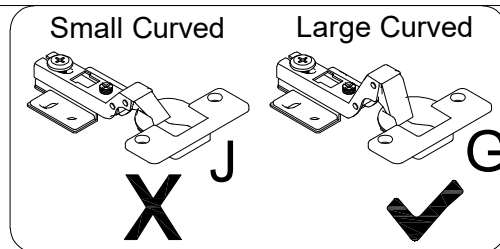
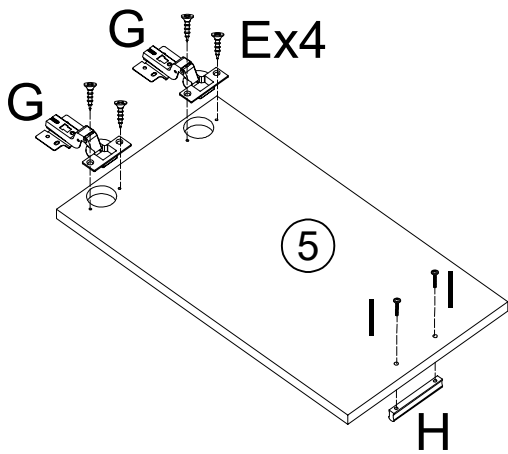
S	x8	DL	x2	DR	x2
					
M3.5x12mm					

# Assembly Instructions

## STEP 23



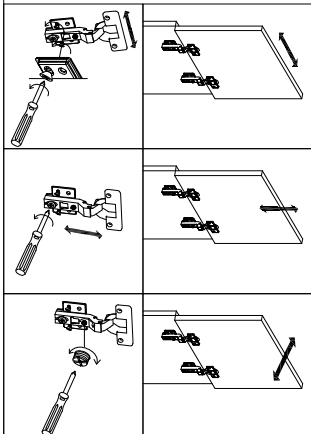
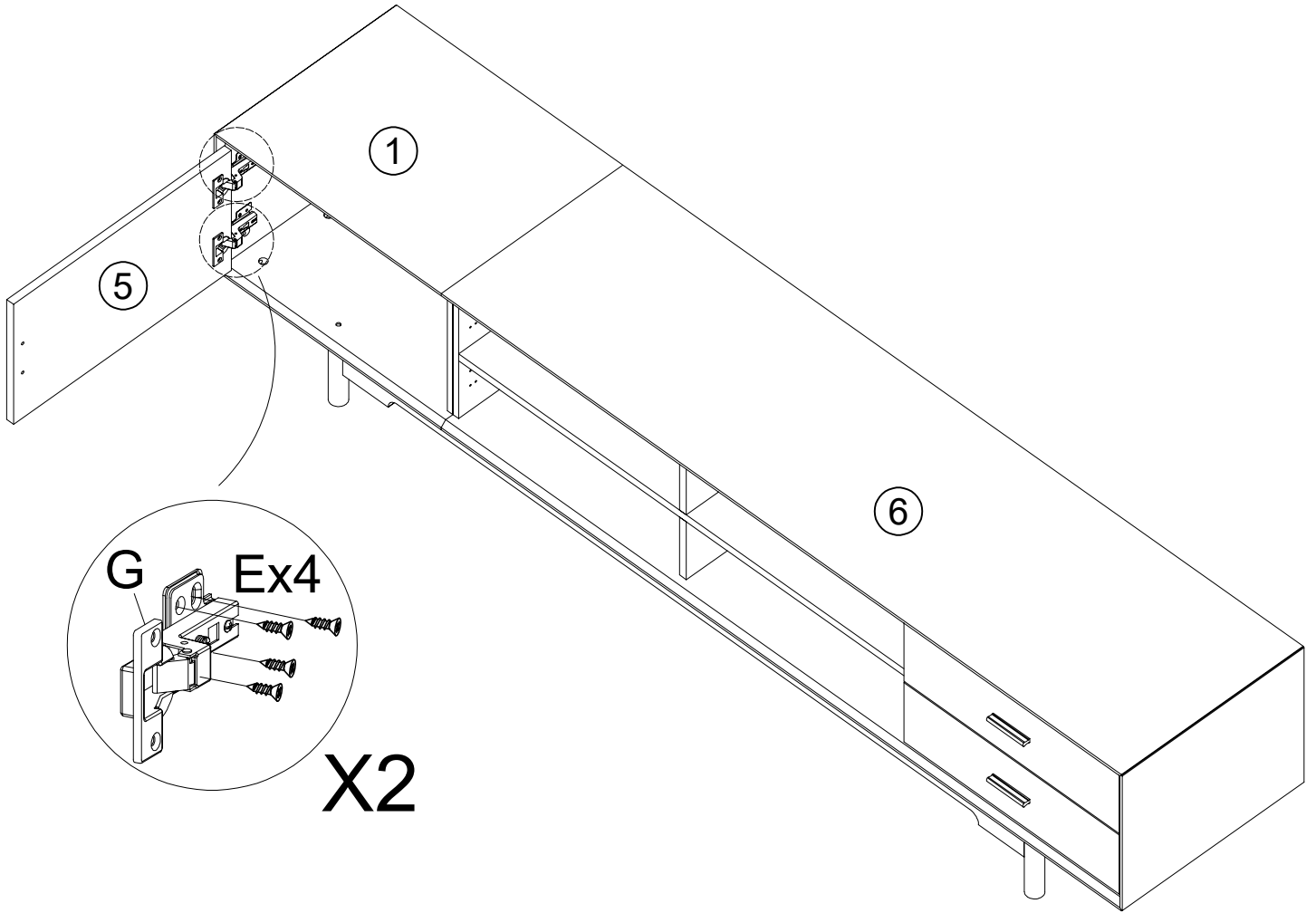
## STEP 24

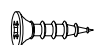


H	x1	I	x2	E	x4	G	x2
		M4x18mm		M3.5x14mm		Large Curved	

# Assembly Instructions

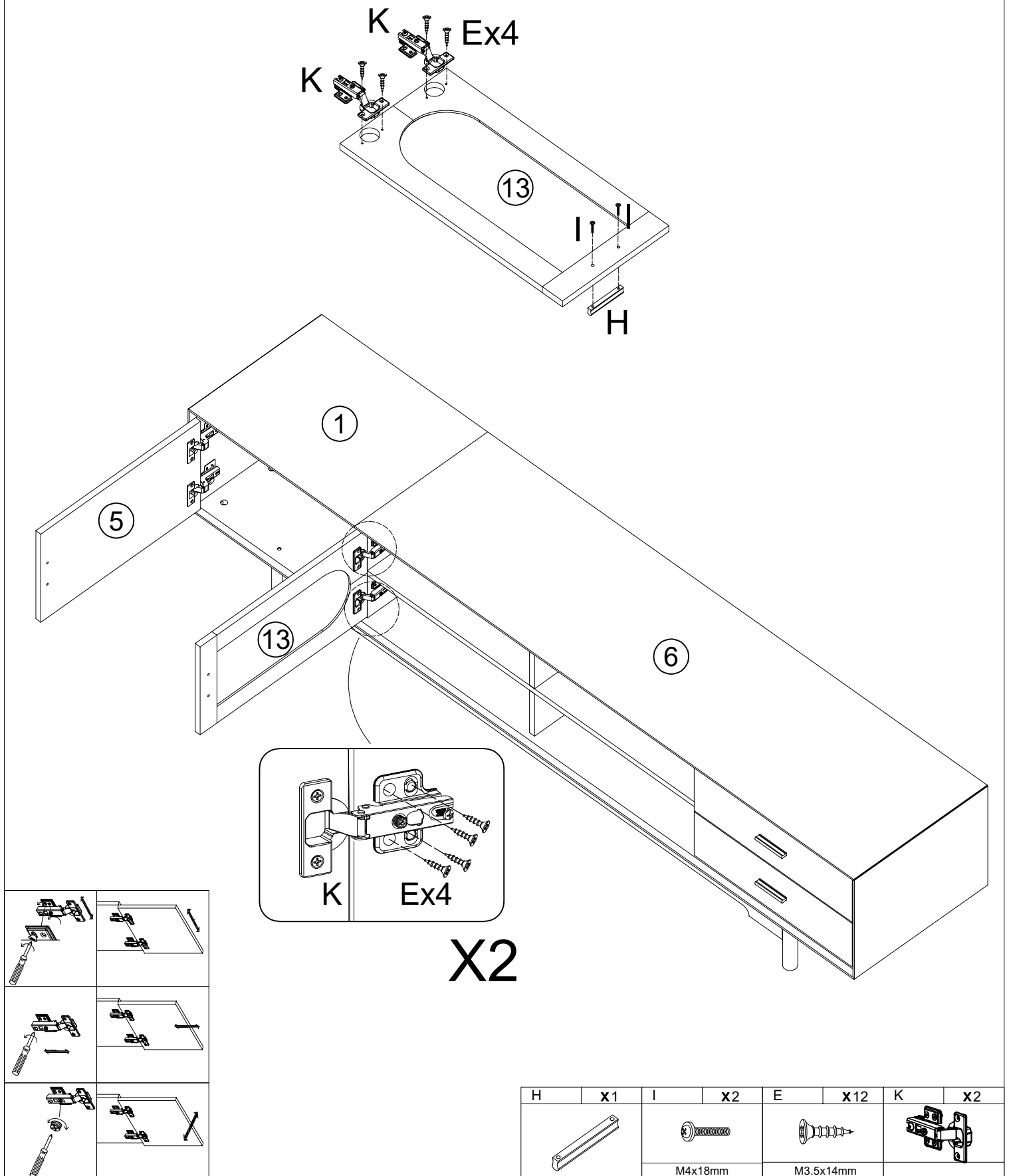
## STEP 25



E	x8
	
M3.5x14mm	

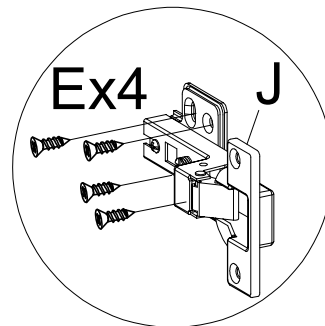
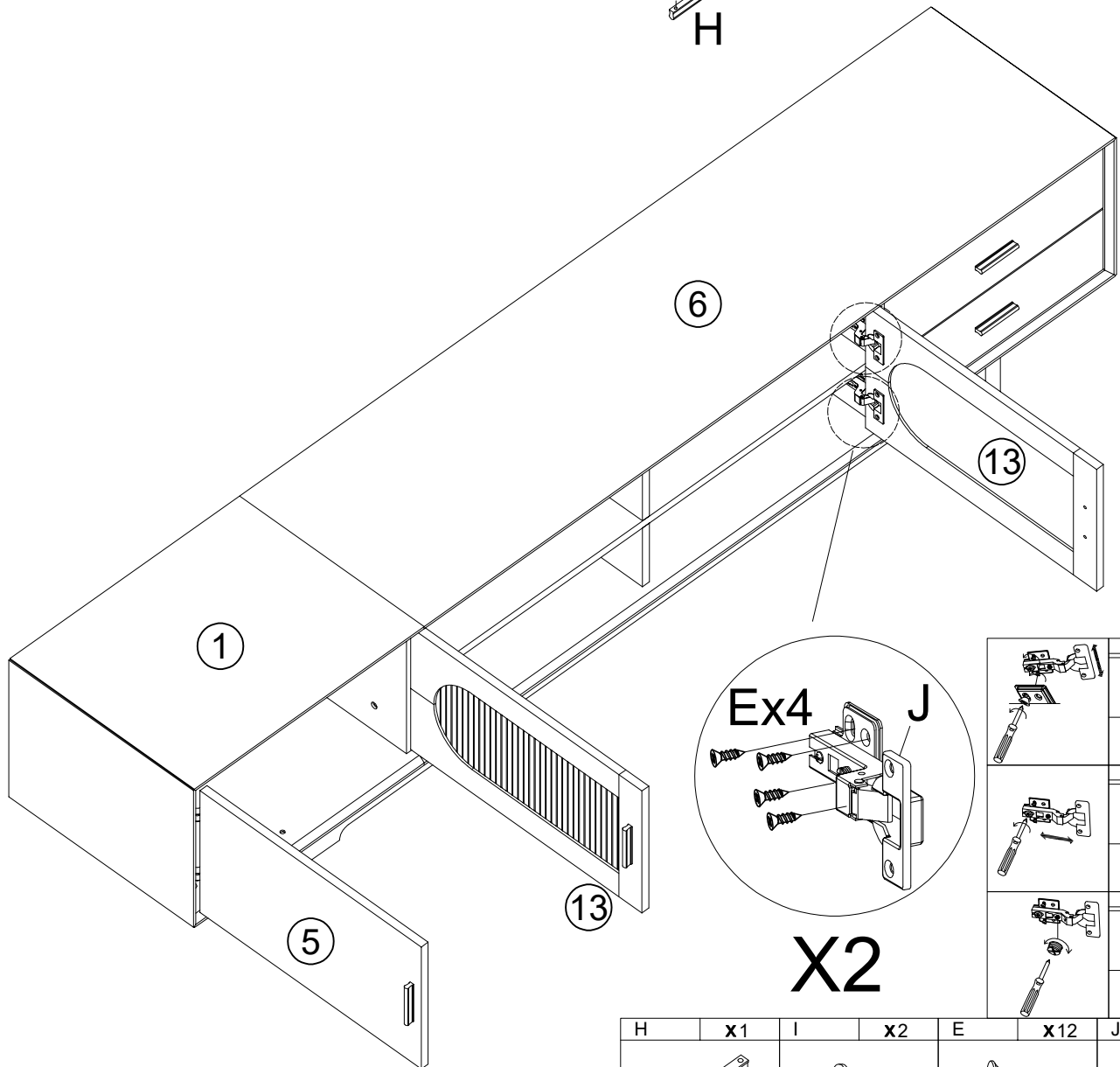
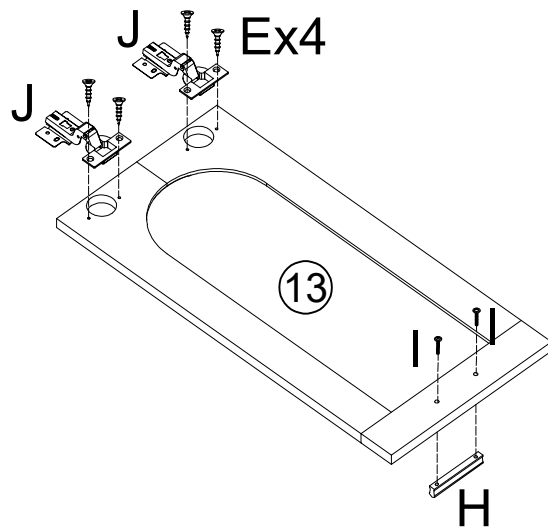
# Assembly Instructions

## STEP 26

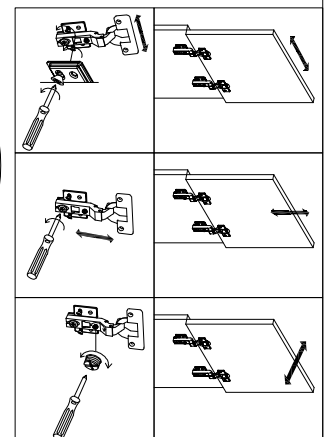


# Assembly Instructions

## STEP 27



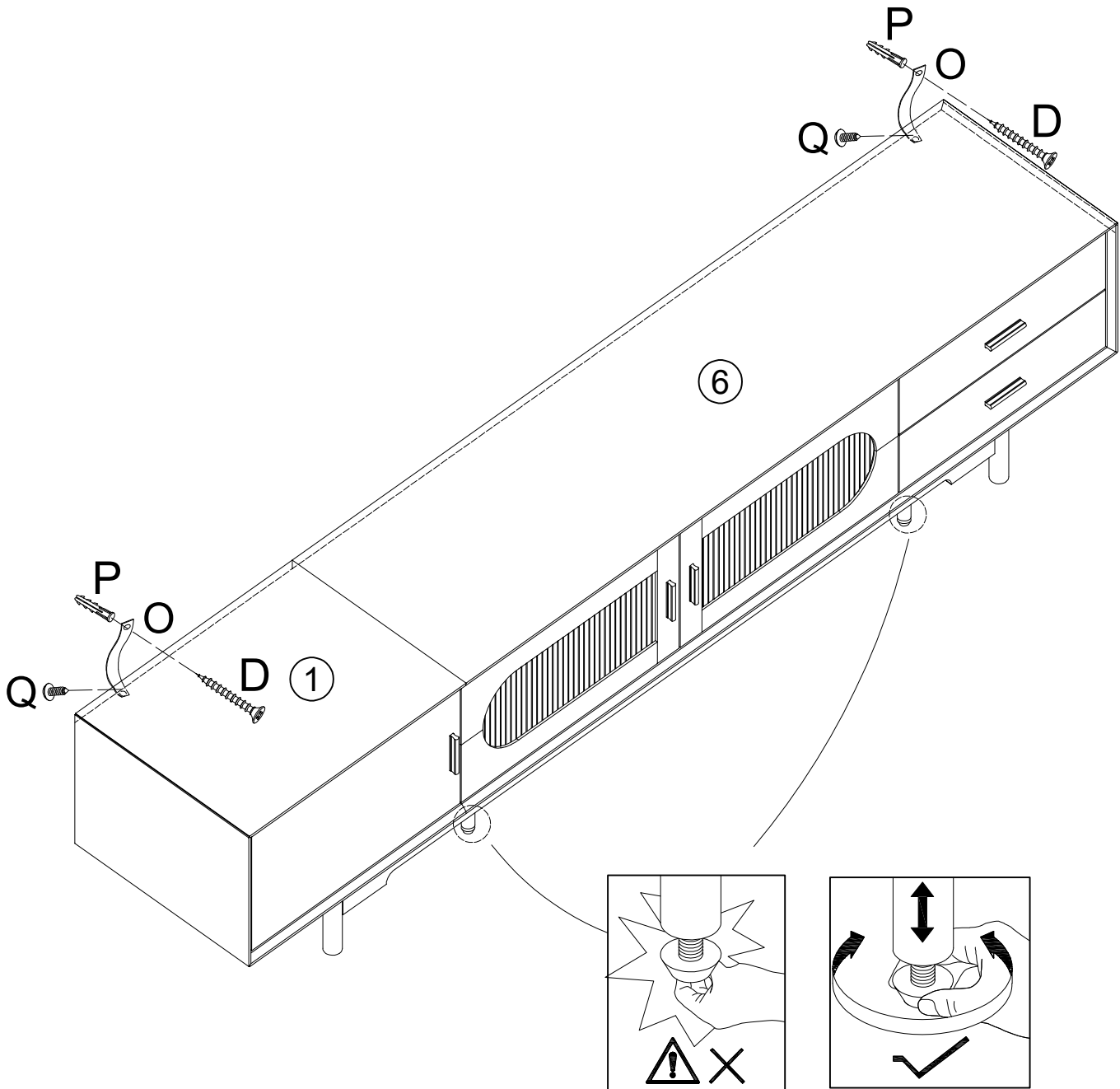
**X2**

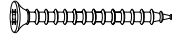

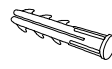
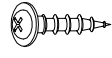


H	x1	I	x2	E	x12	J	x2
			M4x18mm		M3.5x14mm		Small Curved

# Assembly Instructions

## STEP 28



D	x2	O	x2	P	x2	Q	x2
							
M4x35mm				M4x14mm			