

ASSEMBLY INSTRUCTIONS

ROUND TABLE TOP WITH 18 " LEAF ROUND TABLE BASE

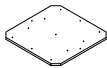



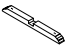
NOTE: KEEP THIS DOCUMENT FOR REFERENCE IN CASE PARTS ARE NEEDED
DO NOT TIGHTEN SCREWS UNTIL COMPLETELY ASSEMBLED!!

UNIT SHOULD BE ASSEMBLED BY TWO OR MORE PEOPLE.






PART LIST OF ROUND TABLE TOP WITH 18 " LEAF

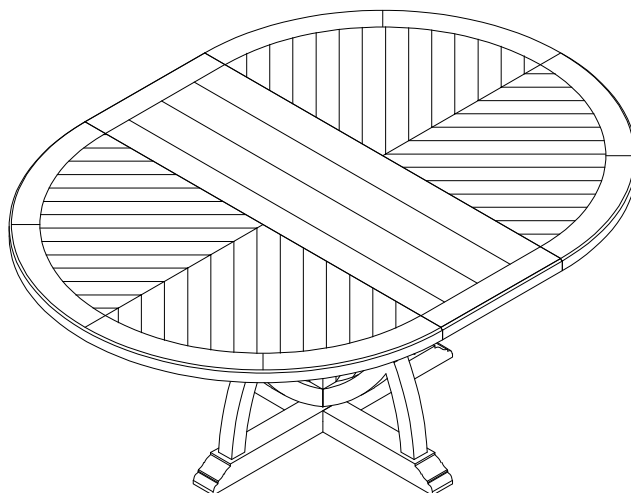
No	PART LIST		Q'TY
A		DINING TABLE TOP	1PC

PART LIST OF ROUND TABLE BASE

B		MOUNTING PLATE	1PC
C		LEG FRAME 1	1PC
D		LEGS FRAME 2	2PCS
E		BOTTOM STRETCHER 1	1PC
F		BOTTOM STRETCHER 2	1PC

HARDWARE LIST OF ROUND TABLE BASE

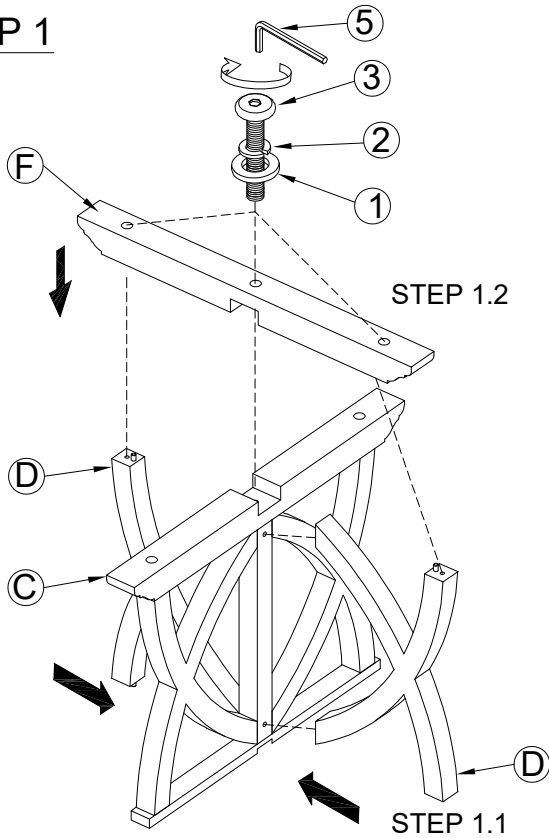
No	HARDWARE LIST			Q'TY
1		FLAT WASHER	ø5/16 x 19 x 1.5mm	16PCS
2		LOCK WASHER	ø5/16 x 13 x 1mm	16PCS
3		ALLEN BOLT	ø5/16 x 3"	7PCS
4		ALLEN BOLT	ø5/16 x 2"	9PCS
5		ALLEN KEY	2-3/8 x 4mm	1PC



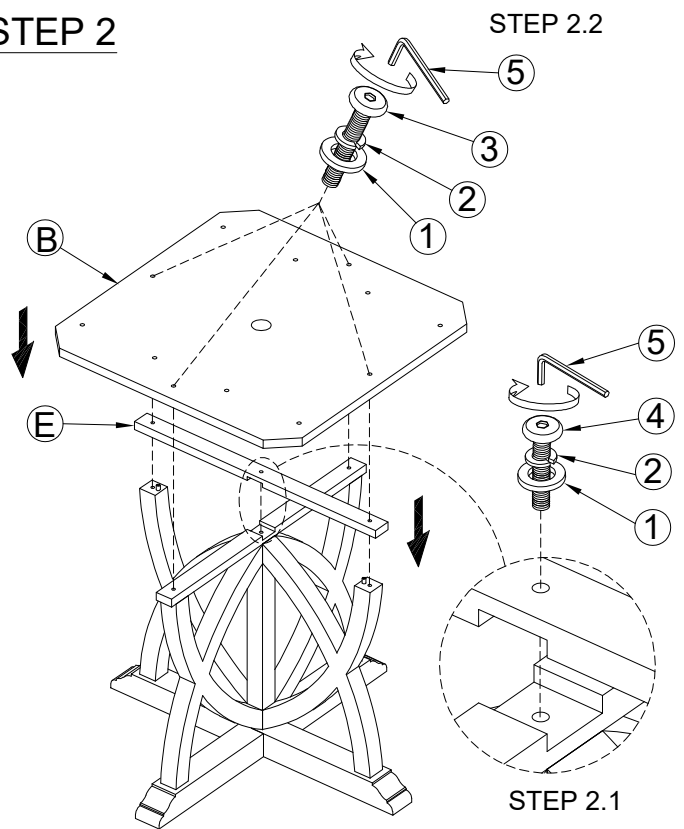
ASSEMBLY INSTRUCTIONS

NOTE: KEEP THIS DOCUMENT FOR REFERENCE IN CASE PARTS ARE NEEDED
DO NOT TIGHTEN SCREWS UNTIL COMPLETELY ASSEMBLED!!
UNIT SHOULD BE ASSEMBLED BY TWO OR MORE PEOPLE.

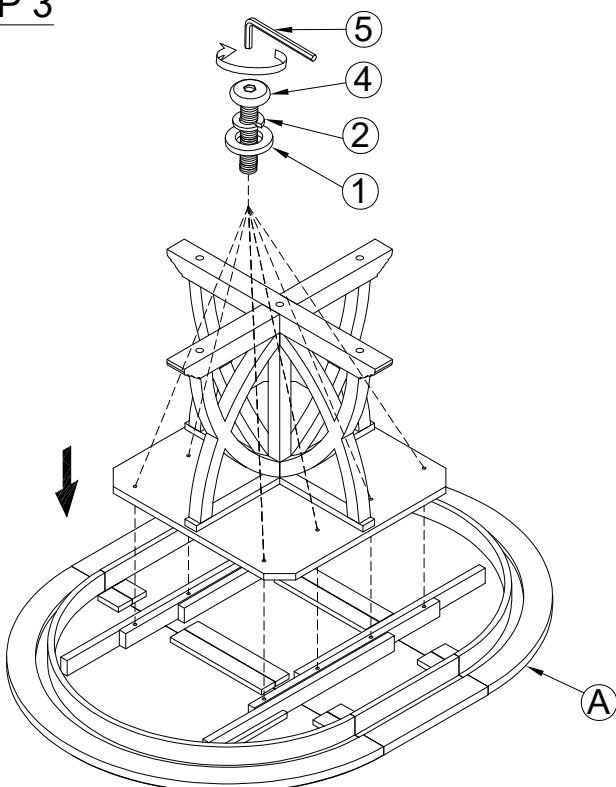
STEP 1



STEP 2



STEP 3



STEP 4

