








Assembly Instructions

Thank you for purchasing this quality product. Be sure to check all packaging material carefully for small parts that may have come loose inside the carton during shipment.

COMPONENT LIST:

PART NO	FIGURE	DESCRIPTION	QTY
DC33660R-01/ DC33660G-01		Hardware Bag	1 pce
DC33660R-13/ DC33660G-13		Table Top	1 pce
DC33660R-07/ DC33660G-07		Legs	4 pcs

HARDWARE LIST:

PART NO	FIGURE	DESCRIPTION	QTY
1		Hex Bolt	8 pcs
2		Lock Washer	8 pcs
3		Flat Washer	8 pcs
4		Wrench	1 pce

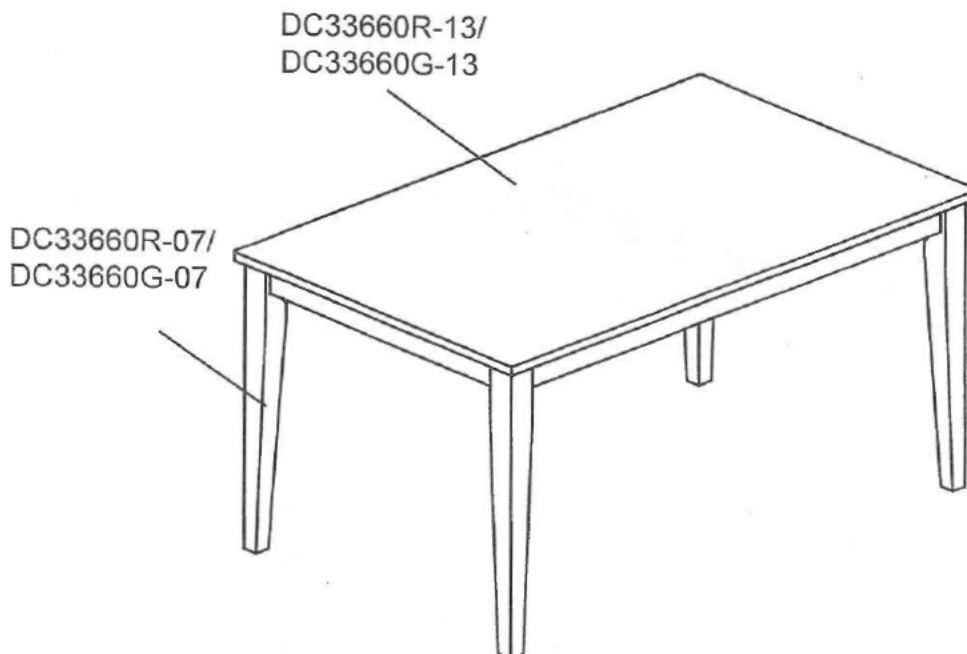
This product will take 15-20 minutes to assemble.

Reminders

1. Use only the hardware supplied.
2. Once the product is assembled, level and tighten all the bolts.
3. Do not over-tighten bolts.
4. This item may require periodic tightening

NOTE:

1. Two or two people are needed for assembly
2. please keep all hardware parts out of the reach of children.

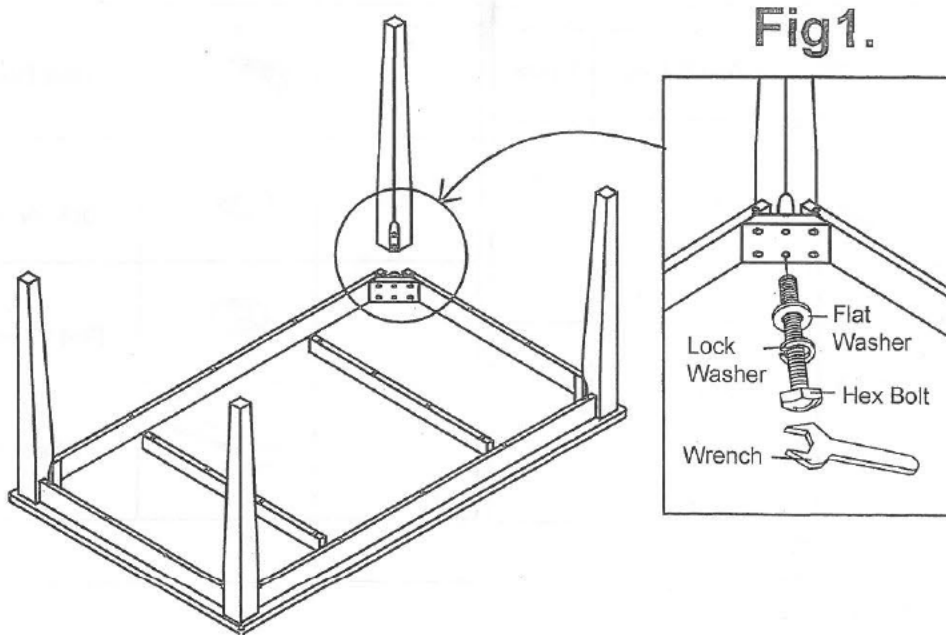


Assembly Instructions

ASSEMBLY :

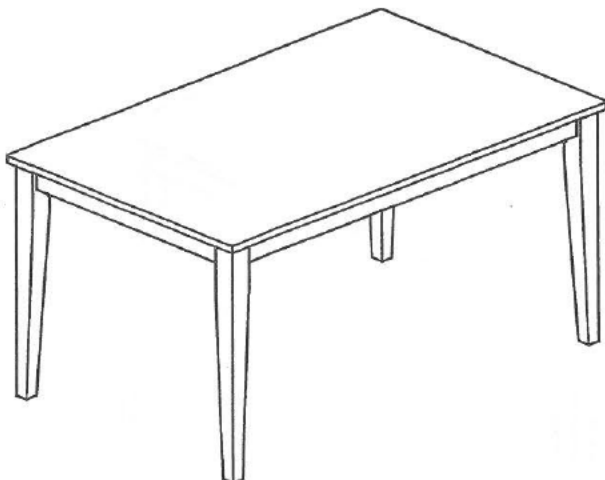
STEP 1

1. Turn table top upside down on a soft protective surface such as a carpet. Insert table legs into table top using the provided hardware as shown on Fig1.



STEP 2

- 2.1- Turn table to upright position.
- 2.2- Once table is fully balance fully tighten all bolts.



Assembly is now Completed.

CARE INSTRUCTION

- ~ Be sure to use the same type of polish consistently. Your furniture will appear cloudy or streaky if oil based or wax based polishes are interchanged.
- ~ Spray your furniture surface evenly. Wipe in a circular motion with a soft clean cloth.