

ASSEMBLY INSTRUCTIONS

Console Table



NOTE TO CUSTOMERS:

- For ease and speed of assemble we recommend that before you commence each step of the assembly that you identify all the parts required to complete that step.
- We recommend that where possible you allow sufficient space to assemble the item as close as possible to the place where it will be once assembled.
- For the protection of your furniture we recommend that the product is placed on protected surfaces during assembly to prevent any damage.
- During assembly do not over tighten, as this may damage the product.
- Please ensure you retain all the product packaging until the item completely assembled.
- Please periodically check all fittings and re-tighten as necessary.
- Never allow any liquids to remain on your furniture as absorption can cause the wood to warp or the finish to de-laminate.
- It is recommended that this item should be assembled by two adults.

To insert a cam lock: (Please read below instructions before assembling)

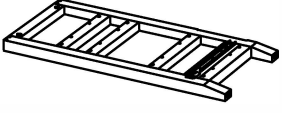
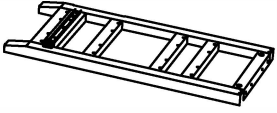
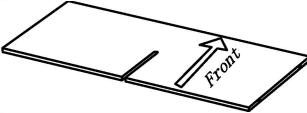
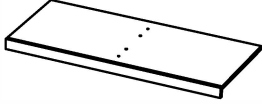
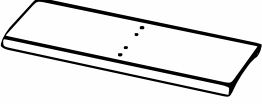




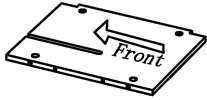

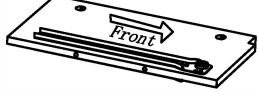
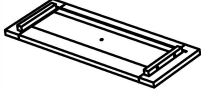



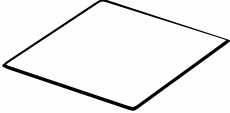

	<p>Diagram A</p>	<p>1. Insert cam screw into hole as shown in diagram A .</p>
	<p>Diagram B</p>	<p>Make sure not to insert the cam screw: Too deep as shown in figure B as this will cause the cam screw to be misaligned and unable to interlock properly.</p>
	<p>Diagram C</p>	<p>Also avoid inserting the cam screw too close to the surface of the hole as shown in figure C, as this will cause the cam lock to be too loose, and not interlock properly.</p>

	<p>2. Connect the panels together.</p>
	<p>3. When inserting the cam lock make sure the arrow of the cam lock faces the cam screw.</p>
	<p>4. To tighten the cam lock turn the cam lock clockwise 90-180 degree or until the arrow is facing opposite the place cam lock was inserted.</p>
<p>NOTE: DO NOT USE AN AUTOMATIC SCREWDRIVER TO TIGHTEN CAM LOCKS.</p>	

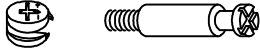



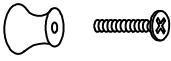



Note:

- Read these instructions carefully before assembling.
- Tools required : Phillips screwdriver, flat screwdriver.
- Find a clean, smooth area on which to work , such as a carpet, in order to avoid scratching the wood surfaces.
- Wait to dispose of the packing material until assembly is complete and all parts and hardware are accounted for.
- Two or more people might be required for assembly.

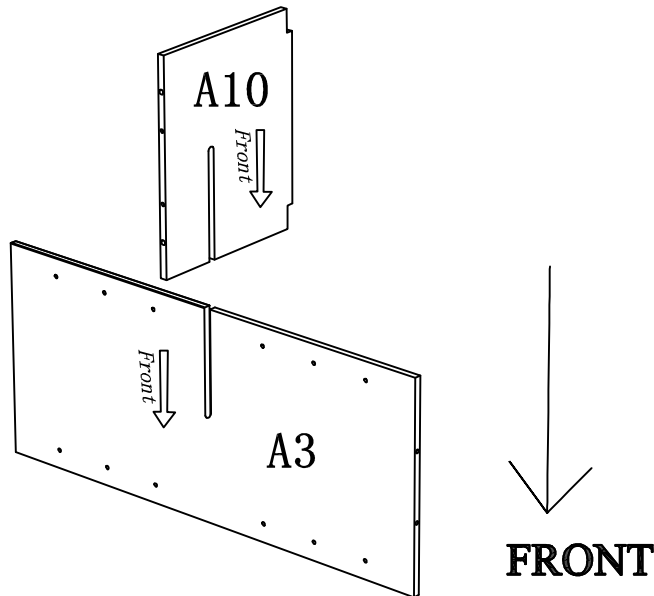
Part List

<p>A1. Quantity of 1</p>  <p>Left Side Panel</p>	<p>A2. Quantity of 1</p>  <p>Right Side Panel</p>	<p>A3. Quantity of 1</p>  <p>Top Shelf</p>	<p>A4. Quantity of 1</p>  <p>Bottom Panel</p>
<p>A5. Quantity of 1</p>  <p>Middle Shelf</p>	<p>A6. Quantity of 1</p>  <p>Lower Shelf</p>	<p>A7. Quantity of 1</p>  <p>Top Panel</p>	<p>A8. Quantity of 1</p>  <p>Back Panel</p>
<p>A9. Quantity of 1</p>  <p>Apron</p>	<p>A10. Quantity of 1</p>  <p>Upper Divider</p>	<p>A11. Quantity of 6</p>  <p>Small Divider</p>	<p>A12. Quantity of 1</p>  <p>Bottom Divider</p>
<p>A13. Quantity of 2</p>  <p>Drawer Front Panel</p>	<p>A14. Quantity of 2</p>  <p>Drawer Side Panel (Left)</p>	<p>A15. Quantity of 2</p>  <p>Drawer Side Panel (Right)</p>	<p>A16. Quantity of 2</p>  <p>Drawer Back Panel</p>
<p>A17. Quantity of 2</p>  <p>Drawer Bottom Panel</p>	<p>A18. Quantity of 1</p>  <p>Apron</p>		

Hardware List

<p>B1. Quantity of 20</p>  <p>Camlock</p>	<p>B2. Quantity of 54</p>  <p>Wood Dowel</p>	<p>B3. Quantity of 10</p>  <p>Screw</p>	<p>B4. Quantity of 16</p>  <p>Screw</p>
<p>B5. Quantity of 2</p>  <p>Drawer Knob</p>	<p>B6. Quantity of 1</p>  <p>Anchor with Screw</p>	<p>B7. Quantity of 1</p>  <p>Anti-tip kit</p>	<p>B8. Quantity of 6</p>  <p>Screw</p>

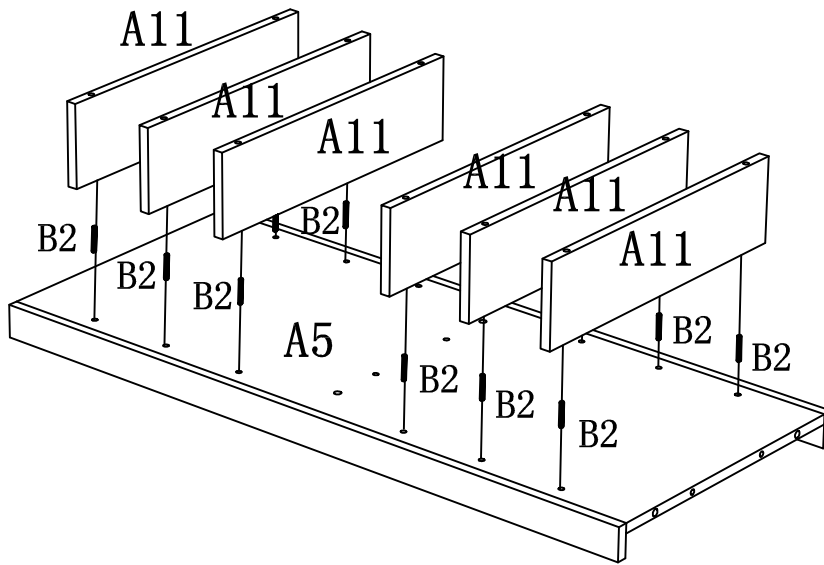
Step 1



Insert Upper Divider A10 to Top Shelf A3 as shown above.



Step 2

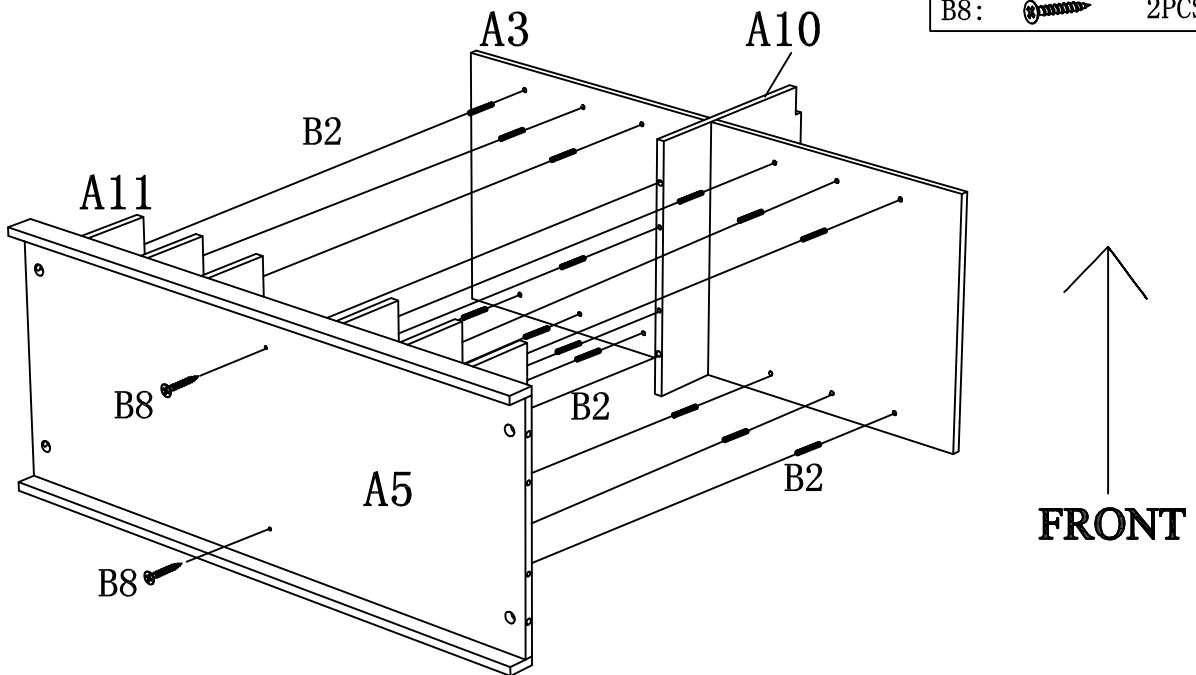
B2:  12PCS



Assemble Small Dividers A11 to Middle Shelf A5 using Wood Dowels B2 as shown above.

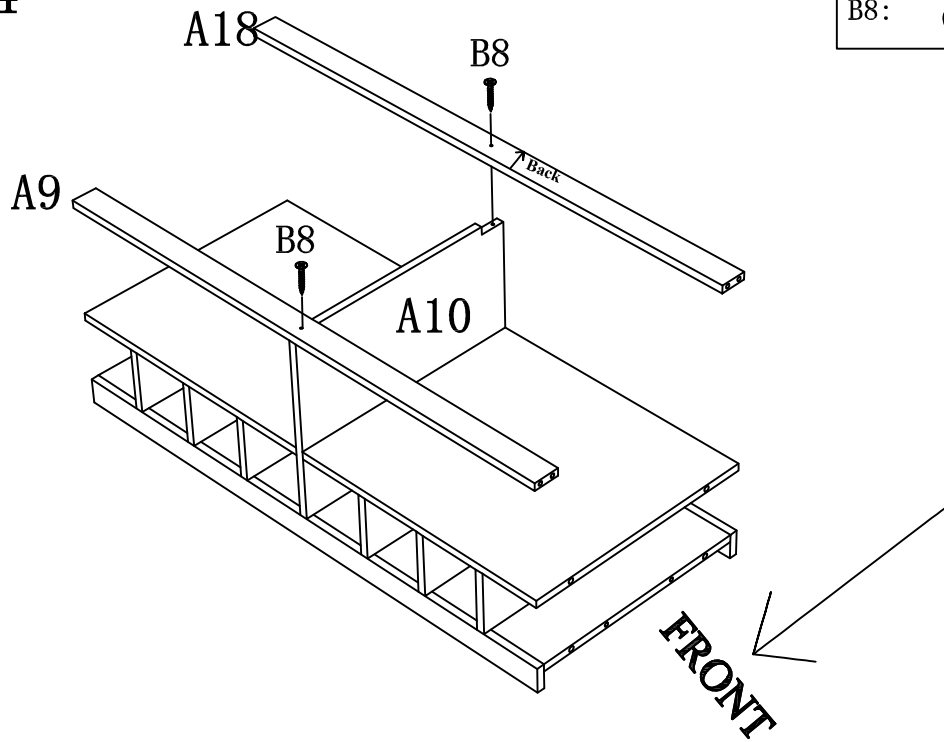
Step 3

B2:  14PCS
B8:  2PCS



Holding Small Dividers A11 in place, then attach Middle Shelf A5 to Upper Divider A10 and Top Shelf A3 using Wood Dowels B2 and Screws B8 as shown above.

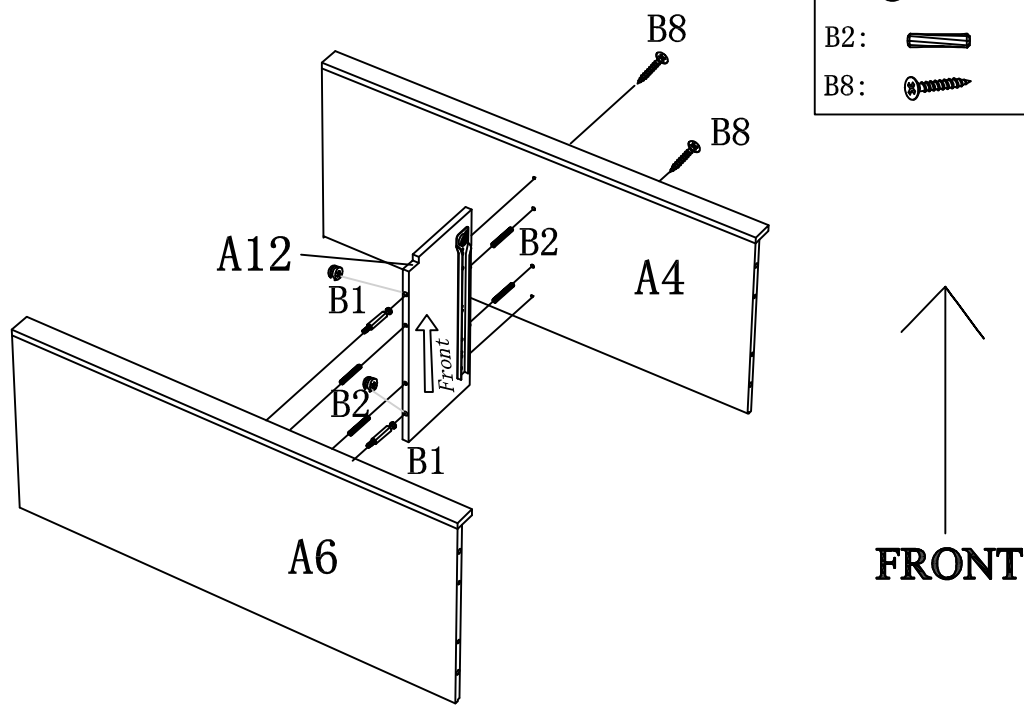
Step 4







B8:		2PCS
-----	---	------

Assemble Aprons A9 & A18 to Upper Divider A10 using Screws B8 as shown above.

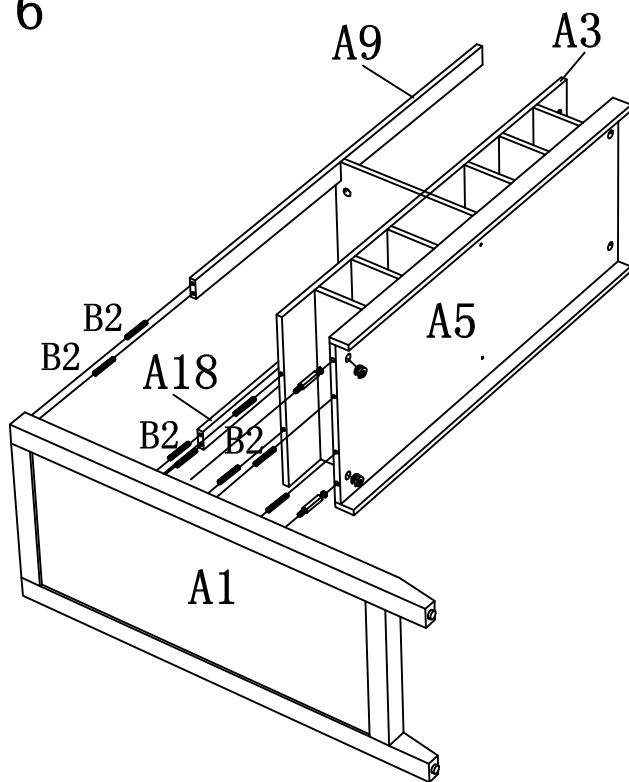
Step 5







B1:			2SETS
B2:			4PCS
B8:			2PCS

Assemble Bottom Divider A12 to Lower Shelf A6 and Bottom Panel A4 using Camlocks B1, Wood Dowels B2 and Screws B8 as shown above.

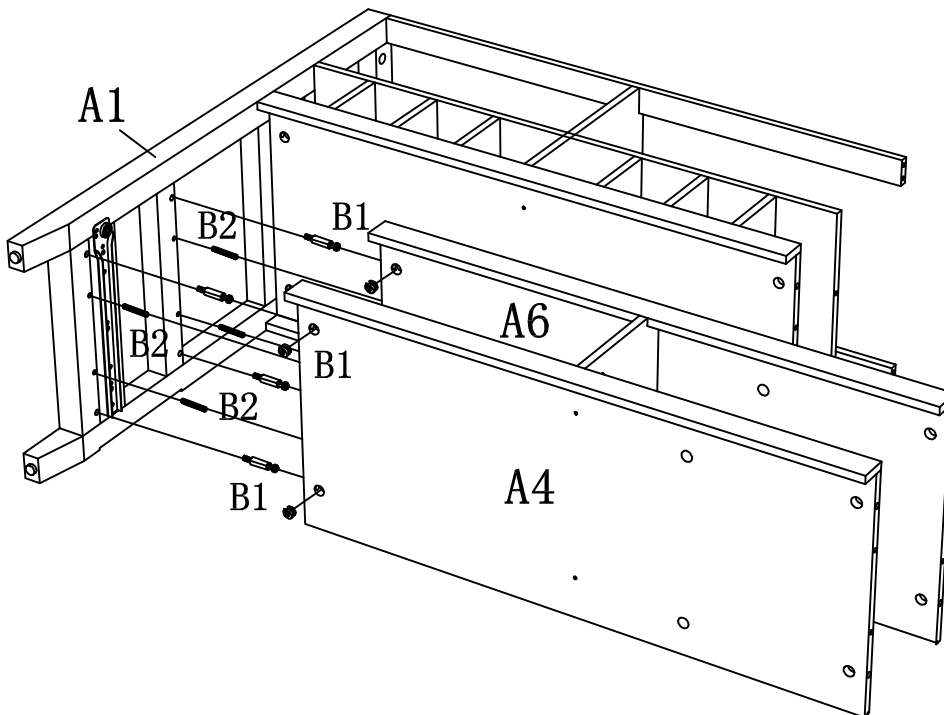
Step 6







B1:			2SETS
B2:			8PCS

Assemble Left Side Panel A1 to Aprons A9 & A18 , Top Shelf A3 & Middle Shelf A5 using Camlocks B1 and Wood Dowels B2 as shown above.



Step 7

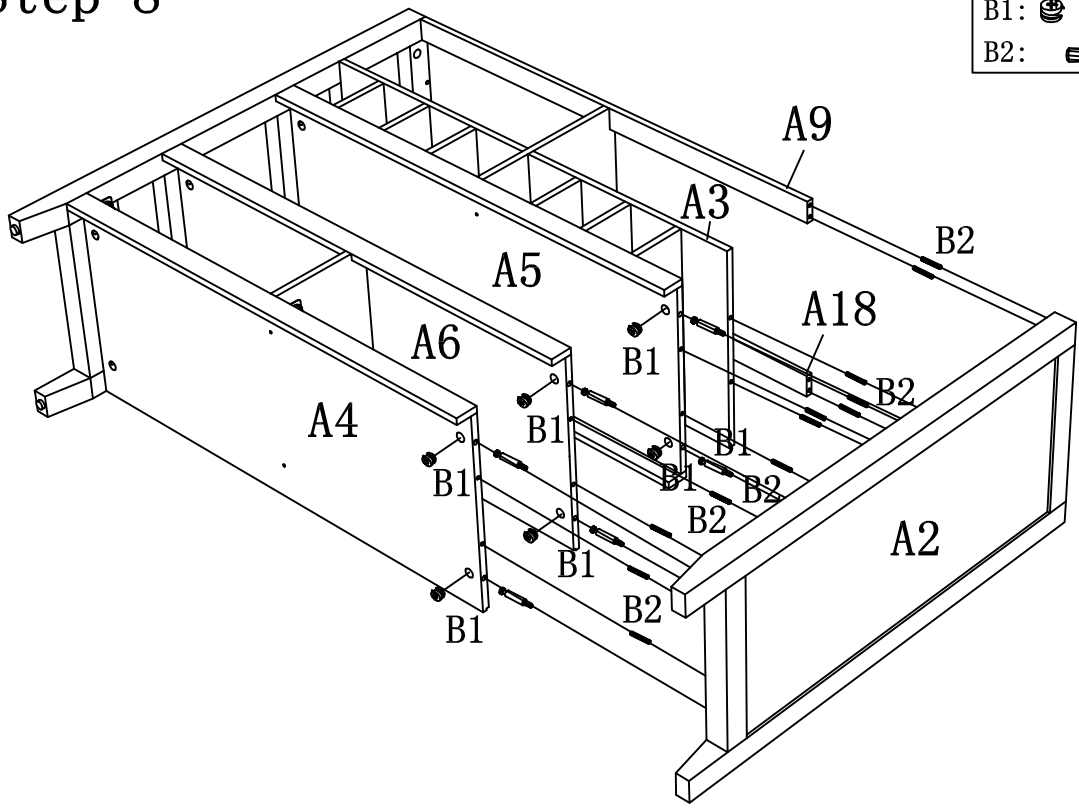


B1:			4SETS
B2:			4PCS

Assemble Lower Shelf A6 and Bottom Panel A4 to Left Side Panel A1 using Camlocks B1 and Wood Dowels B2 as shown above.

Step 8

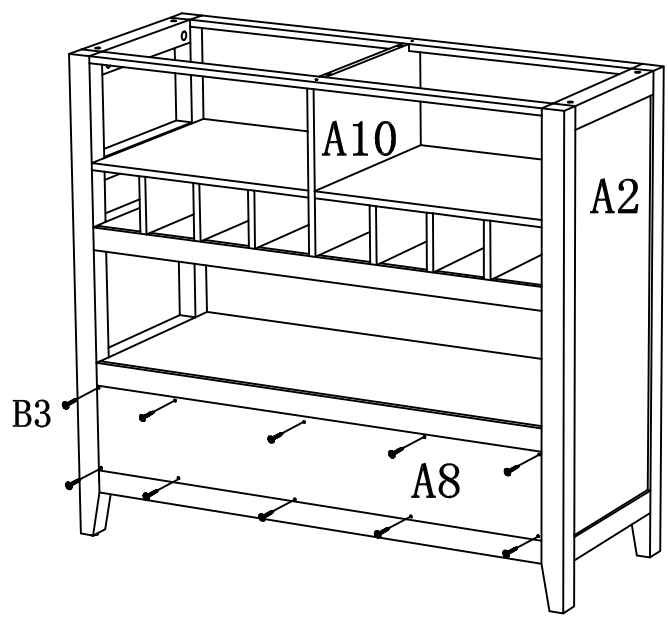
B1:		6SETS
B2:		12PCS



Assemble Right Side Panel A2 to Aprons A9 & A18 , Top Shelf A3 & Middle Shelf A5, Lower Shelf A6 , Bottom Panel A4 using Camlocks B1 and Wood Dowels B2 as shown above.

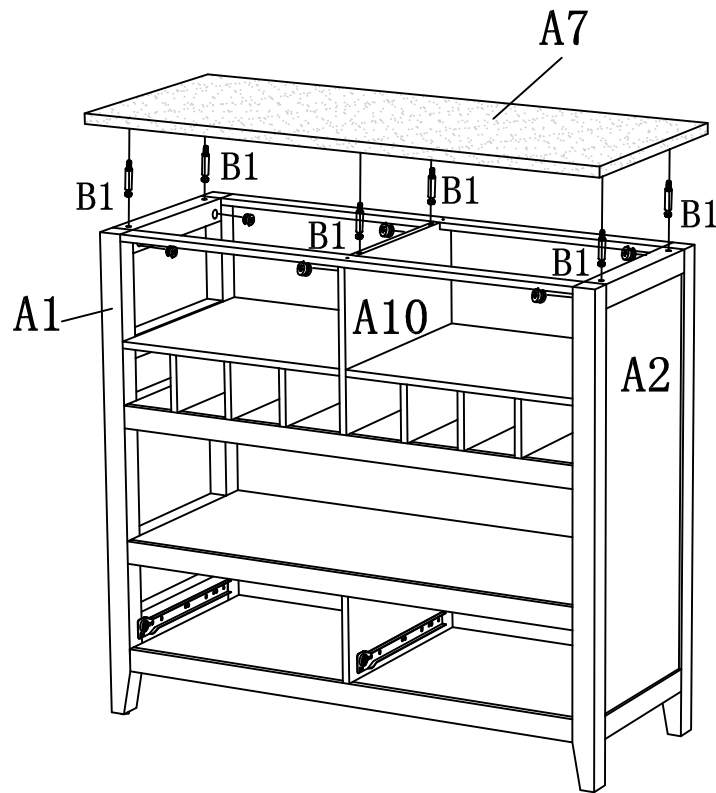
Step 9

B3:		10PCS
-----	---	-------



Attach Back Panel A8 to the back of the table using Screws B3 as shown above.

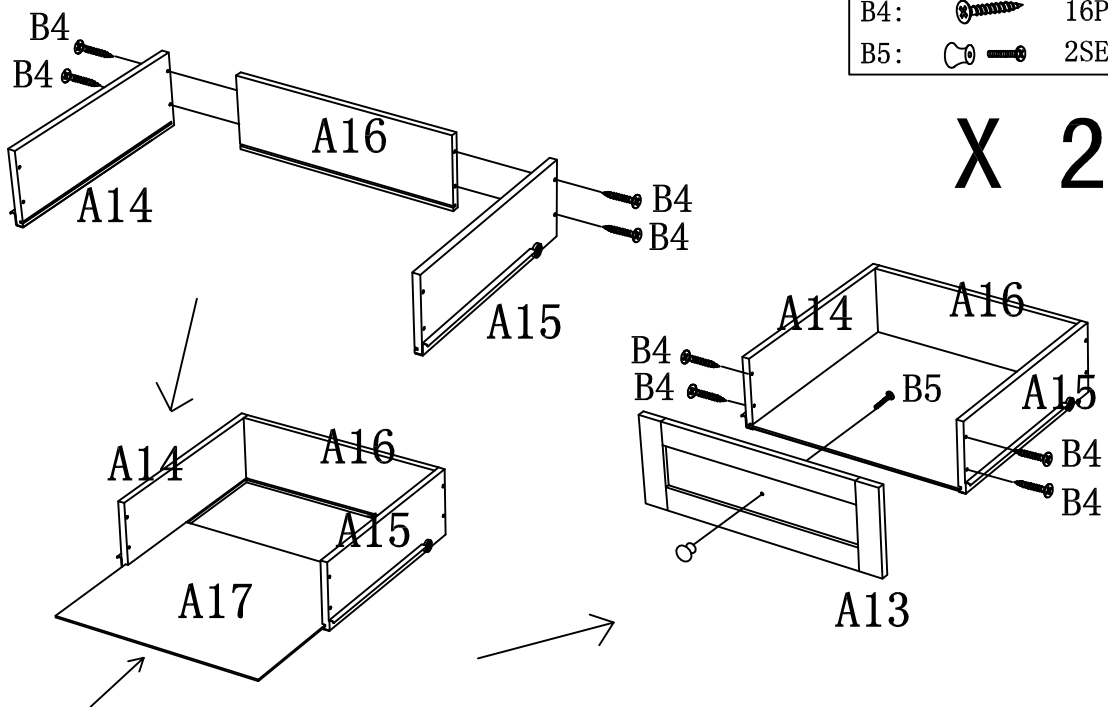
Step 10





B1:   6SETS

Assemble Top Panel A7 to Side Panels A1 & A2 and Upper Divider A10 using Camlocks B1 as shown above.

Step 11

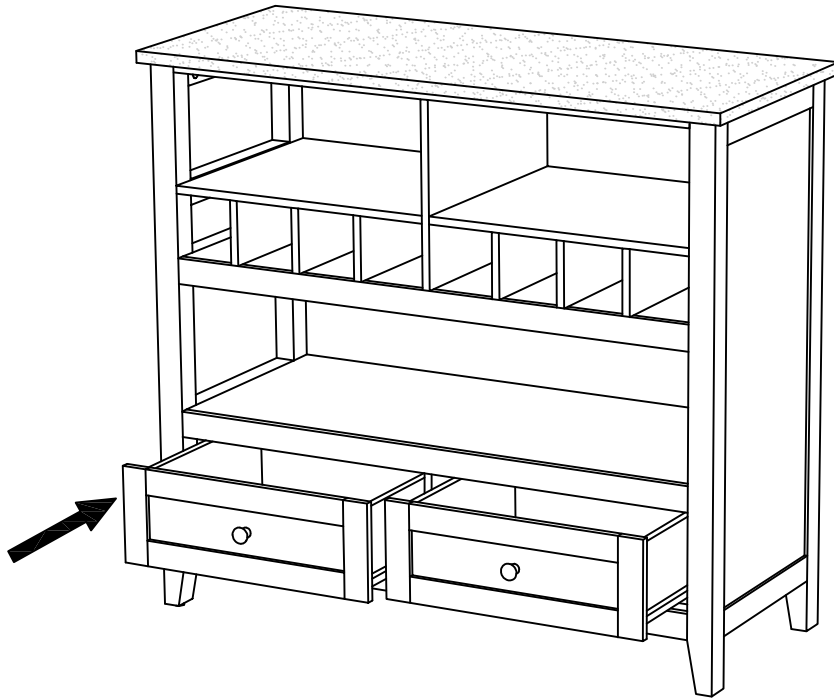


B4:  16PCS
 B5:  2SETS

X 2

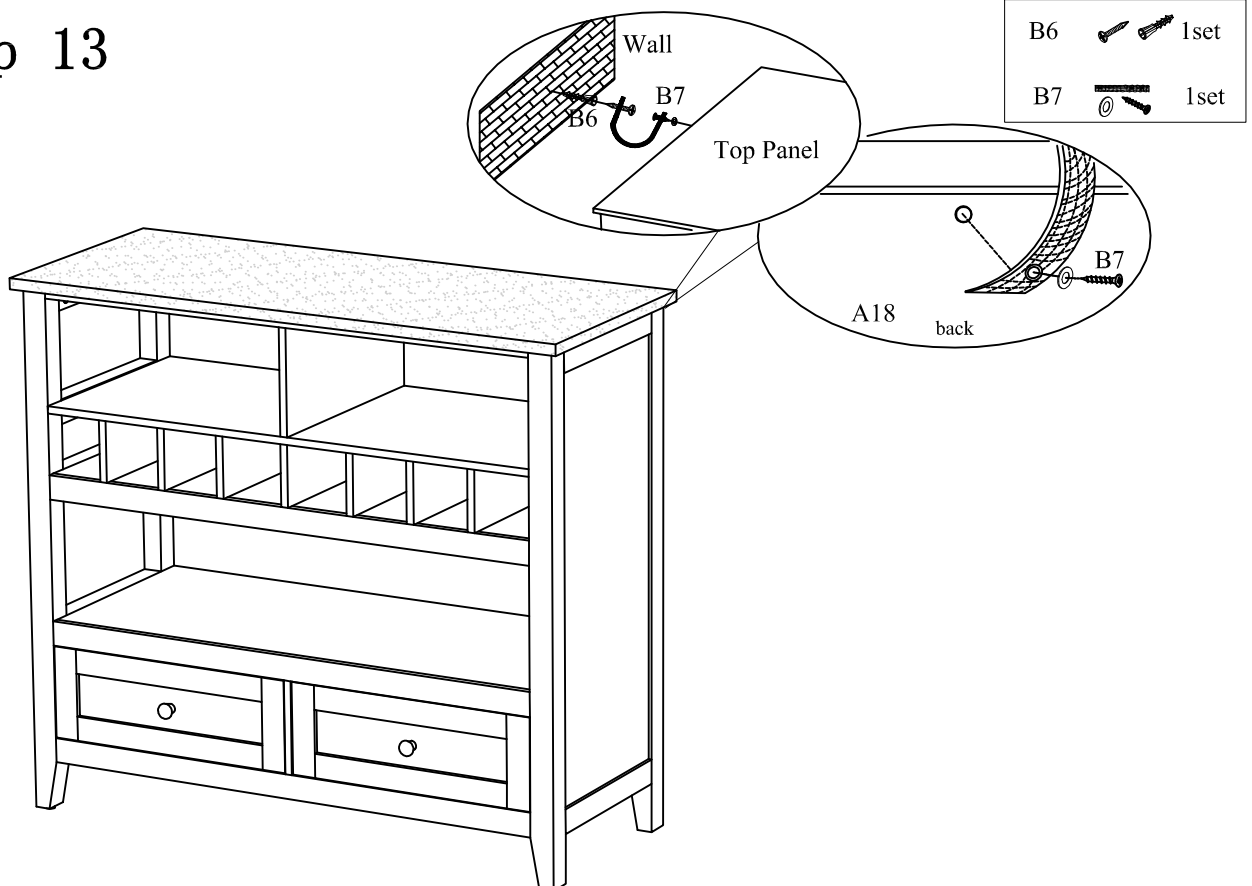
- 1). Assemble Drawer Side Panels A14&A15 to Drawer Back Panel A16 using Screws B4.
- 2). Insert Drawer Bottom Panel A17 into grooves on Drawer Side Panels A14&A15, Drawer Back Panel A16.
- 3). Assemble Drawer Front Panel A13 to Drawer Side Panels A14&15 using Screws B4.
- 4). Attach Drawer Handle B5 to Drawer Front Panel A13 using included bolt.
- 5). Repeat above steps to assemble the other drawer.

Step 12



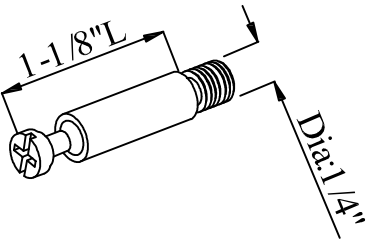
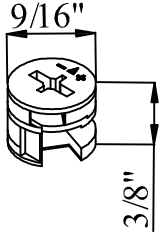
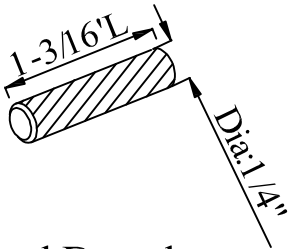
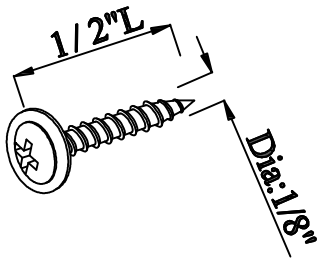
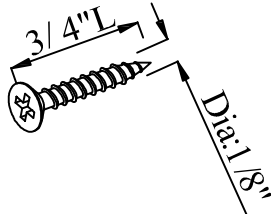
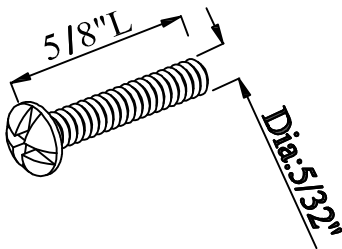
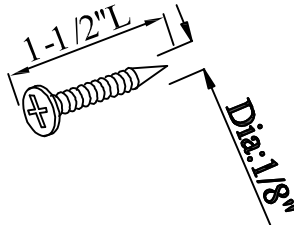
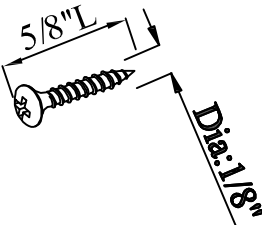
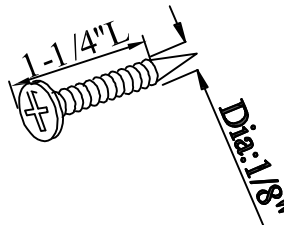
Insert Drawers into the unit as shown above.

Step 13



For your safety, please attach the table to the wall by Anchor with Screw B6 and Anti-tip Kit B7 as shown above.

APPENDIX: Dimension of Hardwares in this AI.

<p>B1.</p>  <p>Cam-bolt</p>	<p>B1.</p>  <p>Cam-nut</p>	<p>B2.</p>  <p>Wood Dowel</p>
<p>B3.</p>  <p>Screw</p>	<p>B4.</p>  <p>Screw</p>	<p>B5.</p>  <p>Bolt for Handle</p>
<p>B6.</p>  <p>Anchor with Screw</p>	<p>B7.</p>  <p>Anti-tip kit</p>	<p>B8.</p>  <p>Bolt</p>