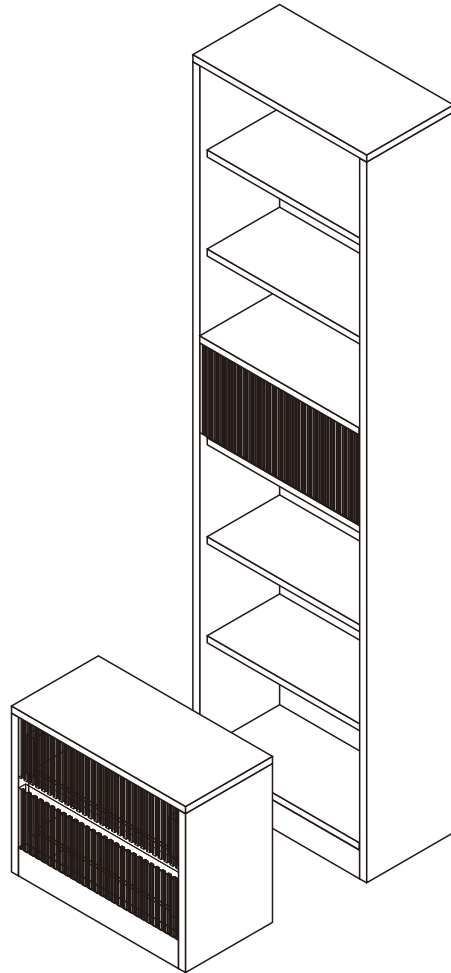
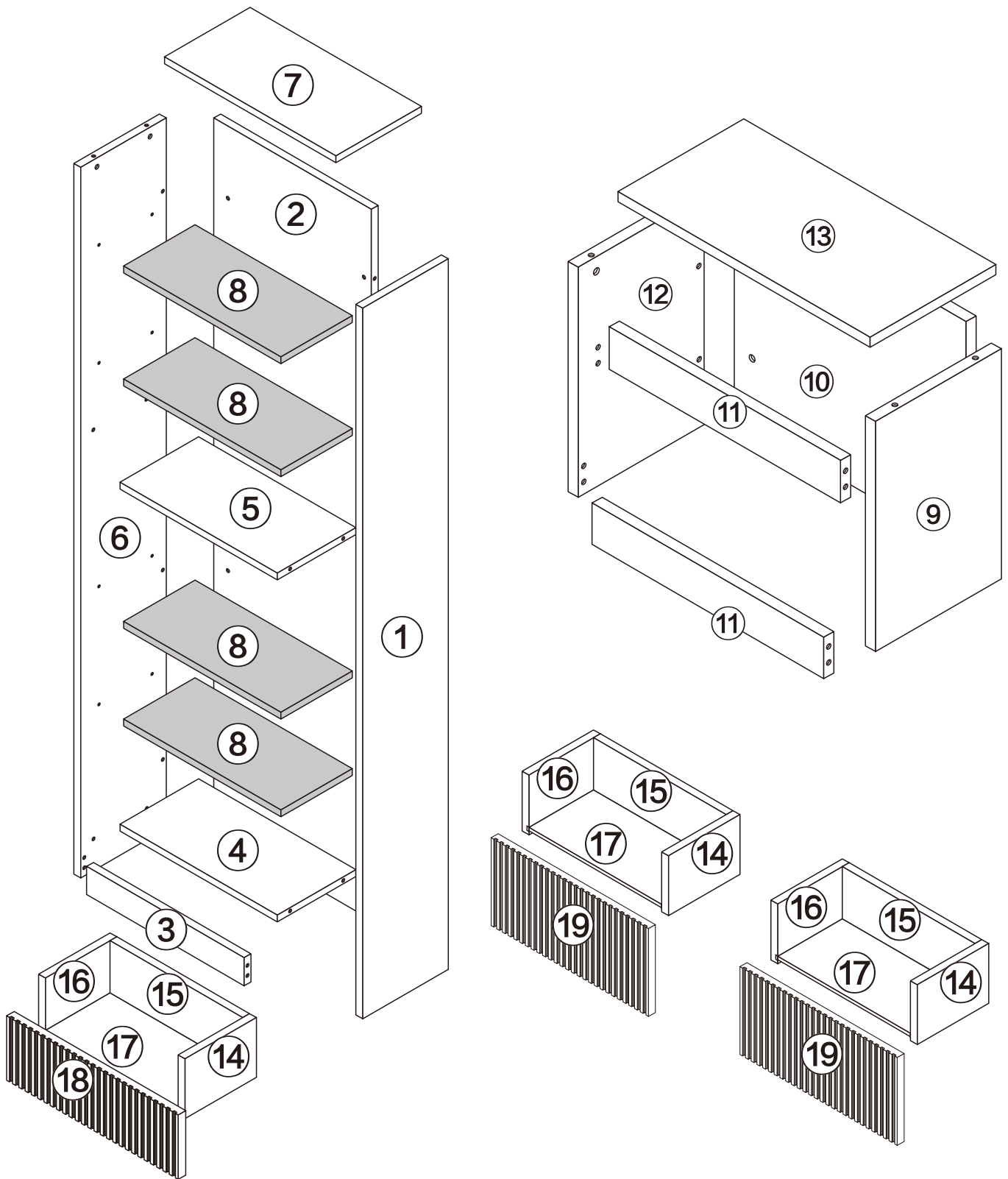


BOOKCASE

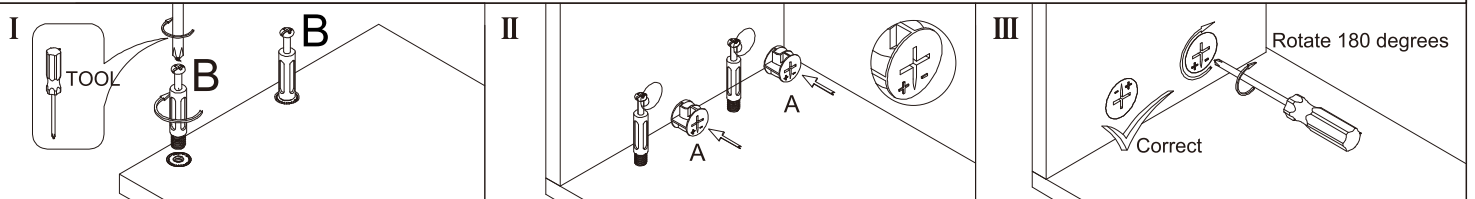








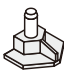

Installation Instructions

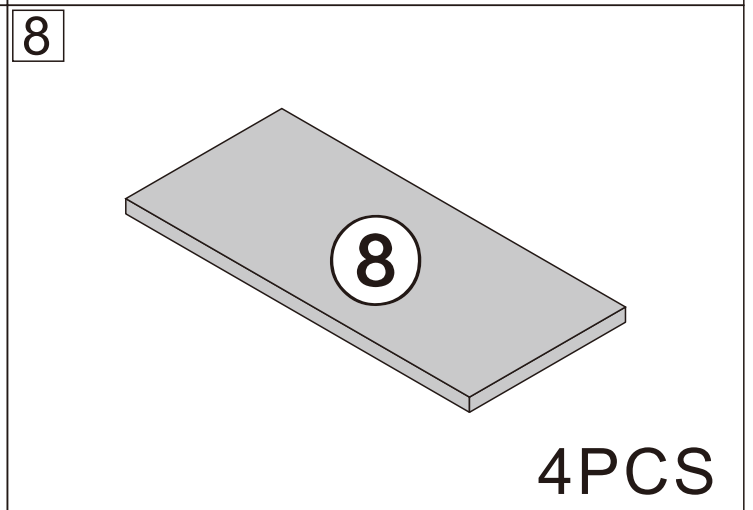
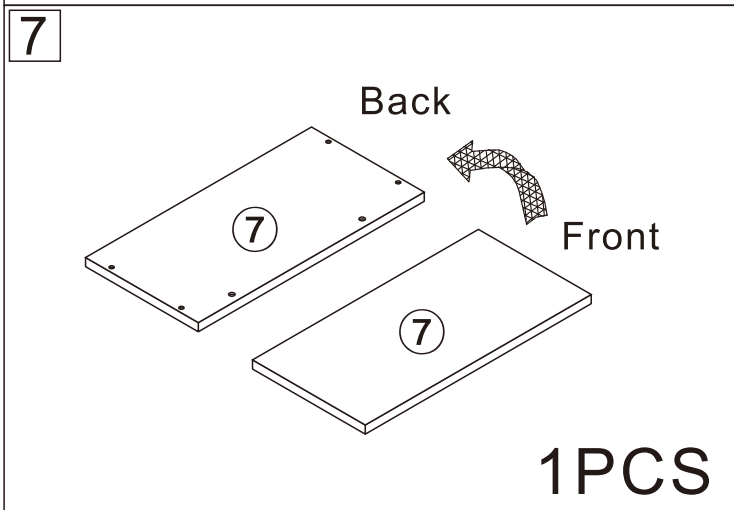
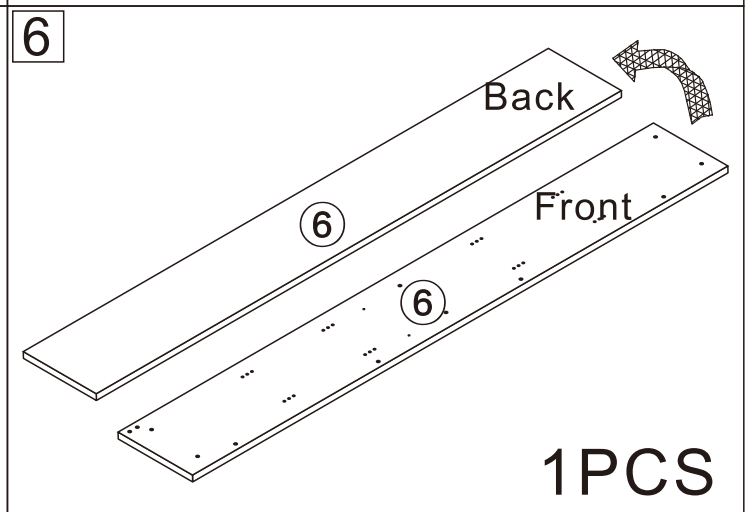
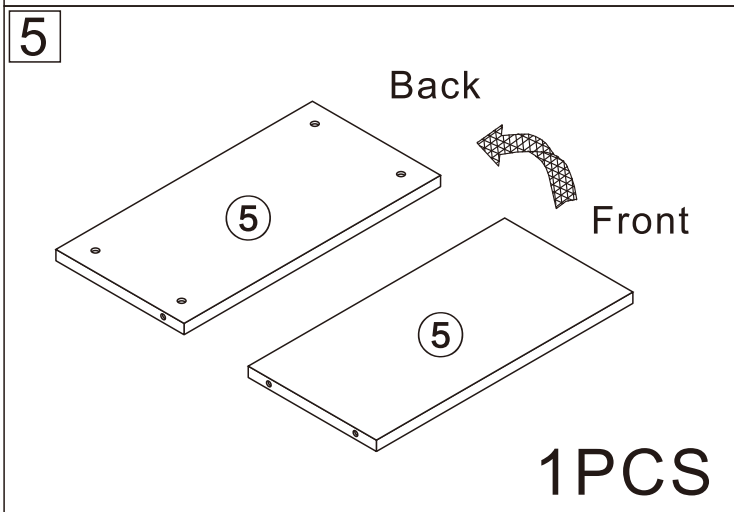
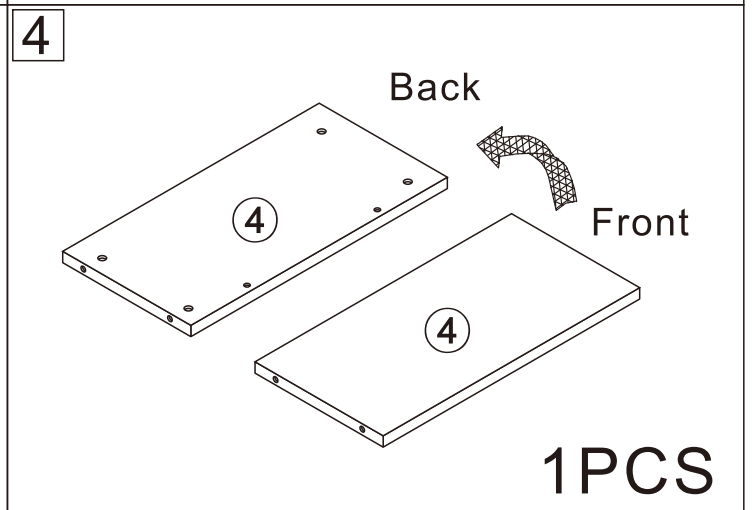
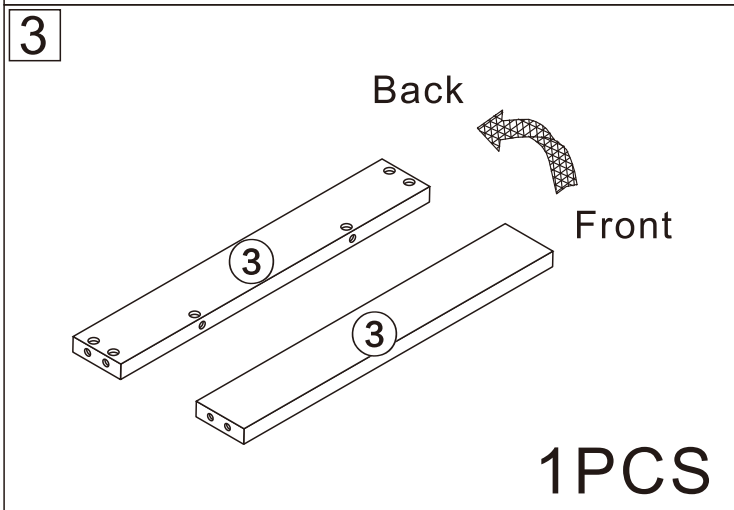
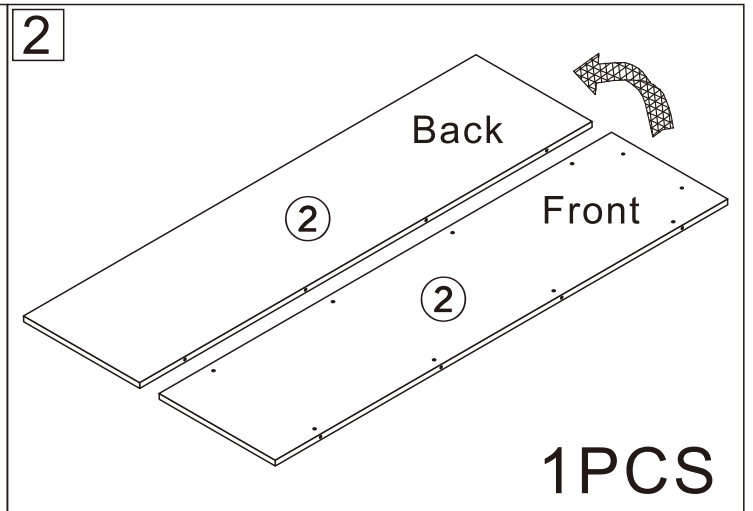
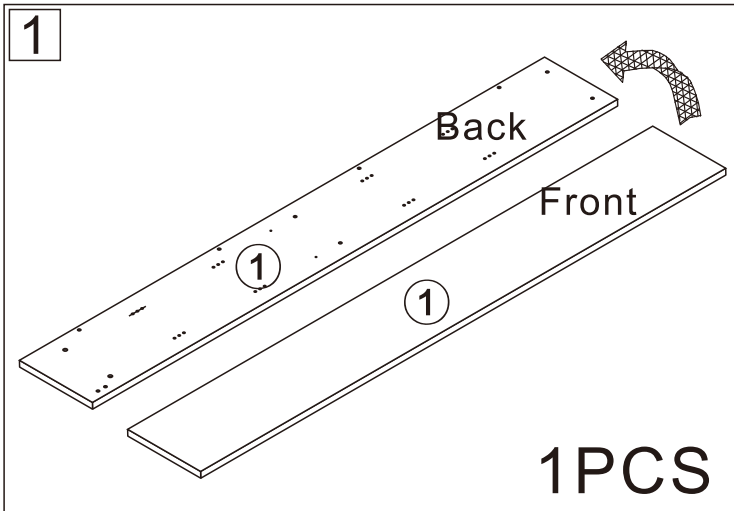
Notes: Don't tighten screws completely at first, just in case parts were assembled wrongly and need disassemble. Tighten screws at last when all parts are put together.

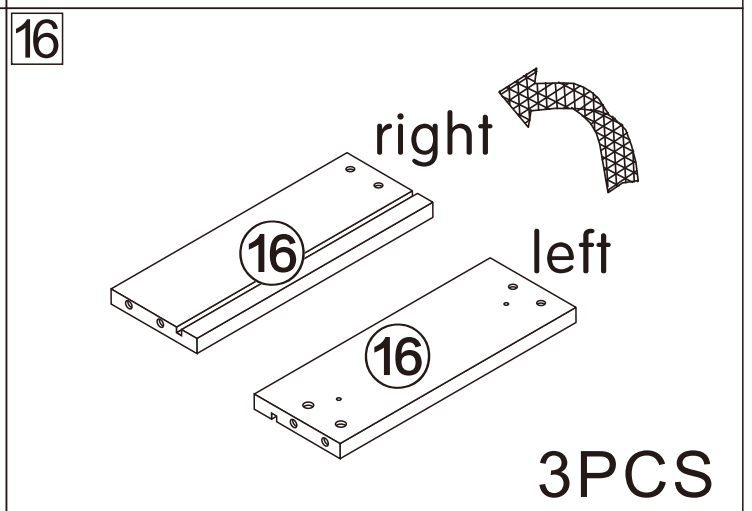
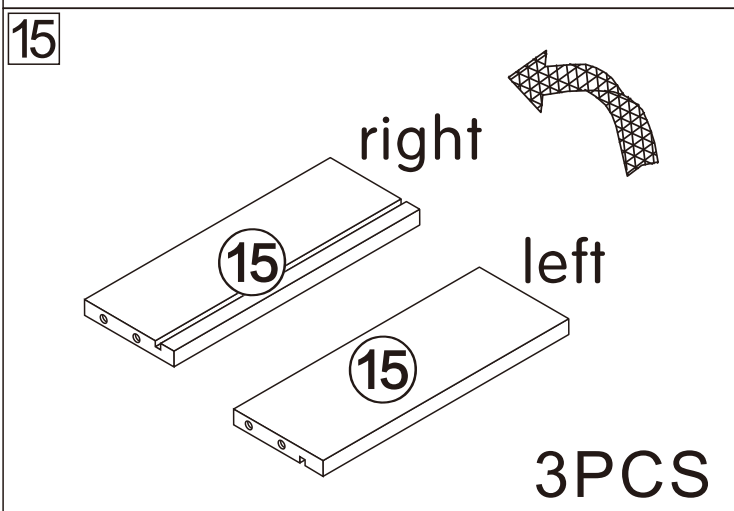
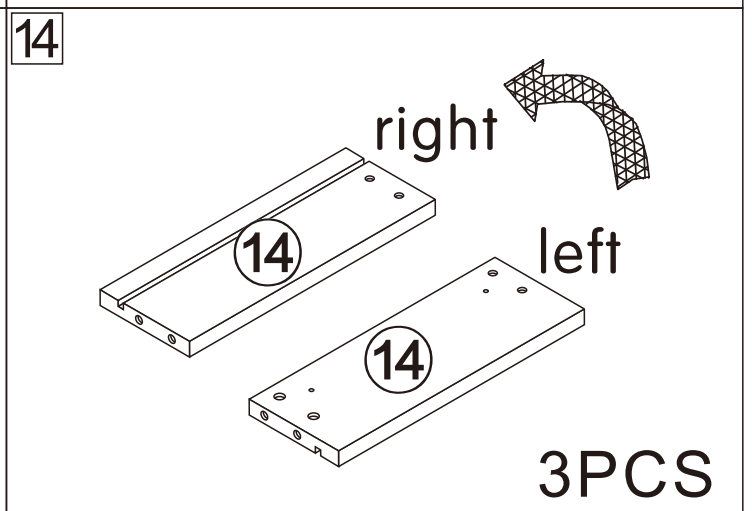
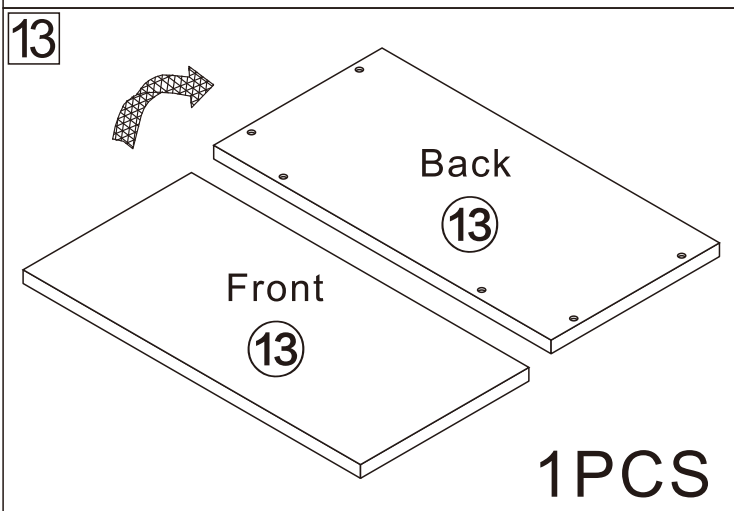
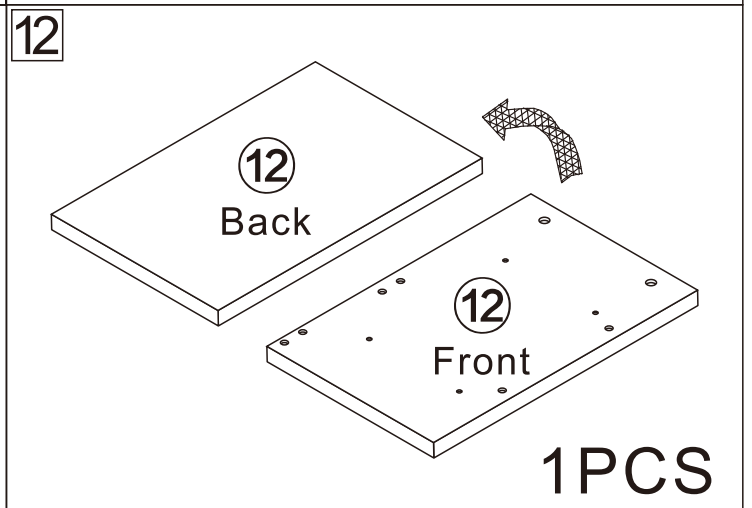
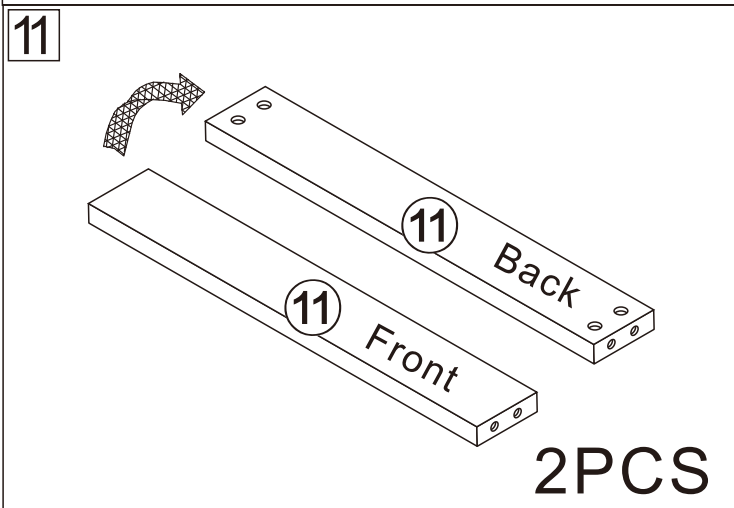
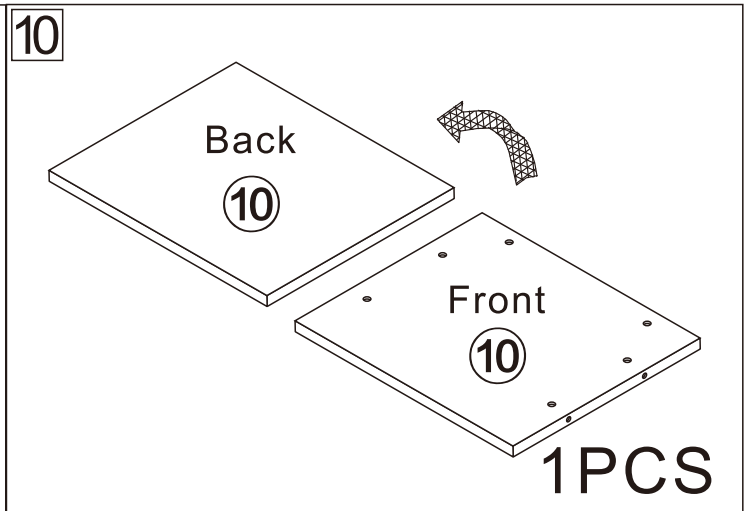
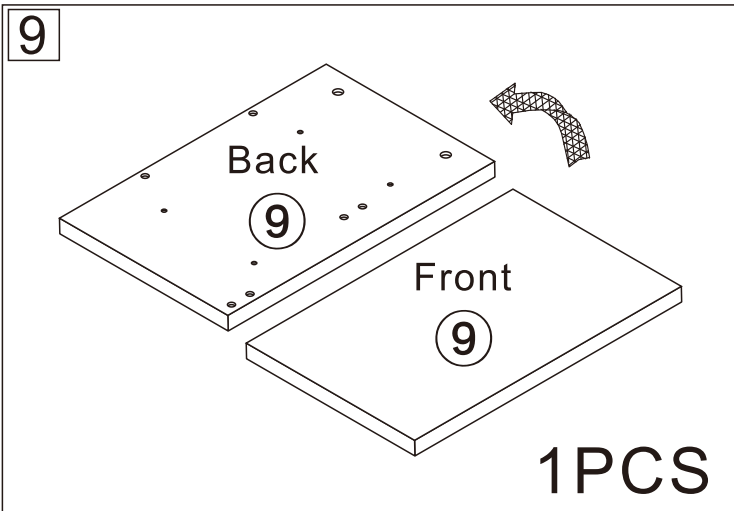


Disassembly and installation of accessories

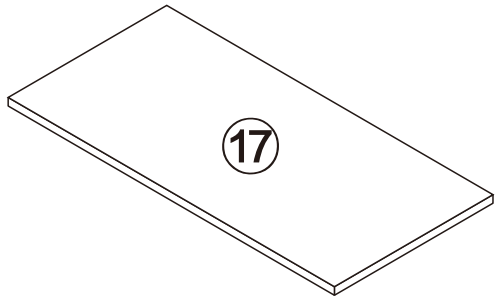


A	58PCS	B	58PCS	C	24PCS	D	6PCS	E	12PCS	F	16PCS	G	14PCS	 Tools Recommended
														
15*10mm		6*28mm		3.5*14mm		Three-section Rail		3.5*40mm		Φ5*8mm		φ 15mm		



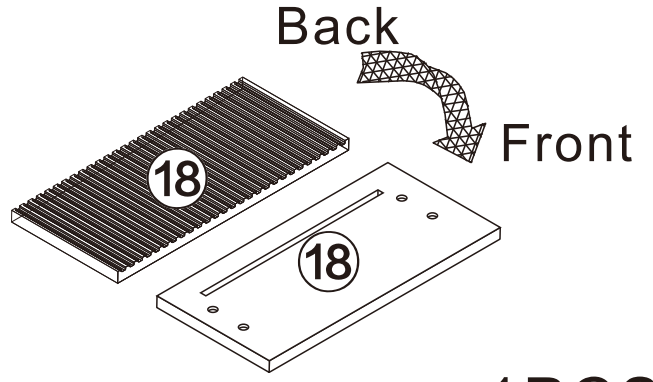


17



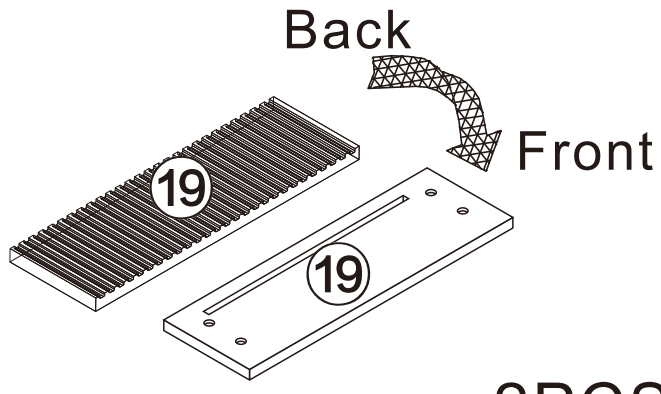
3PCS

18



1PCS

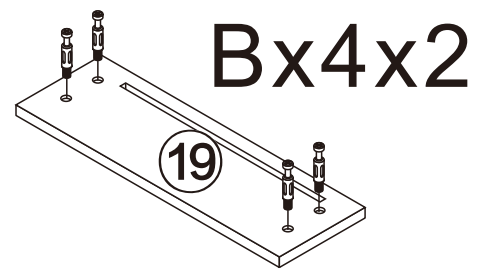
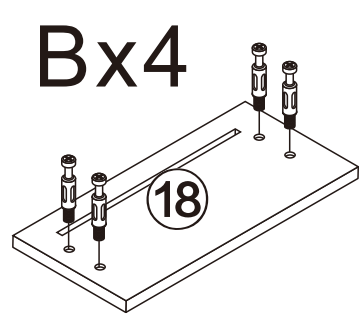
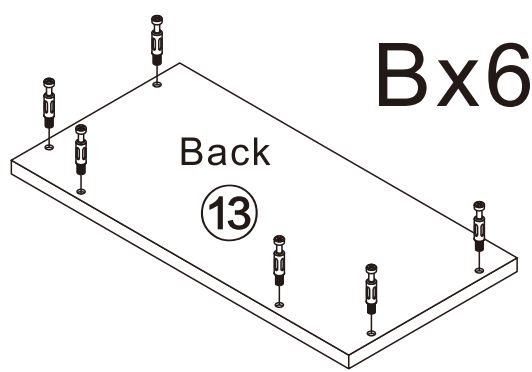
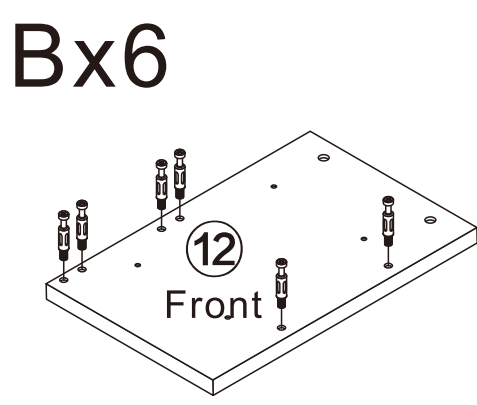
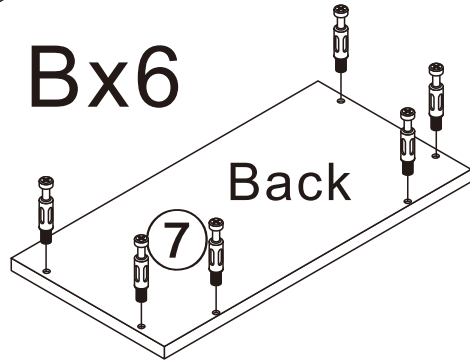
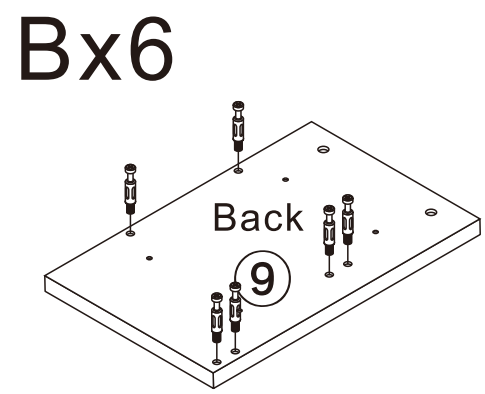
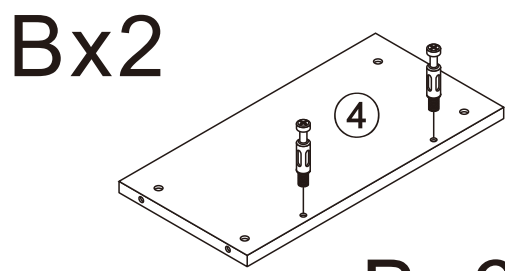
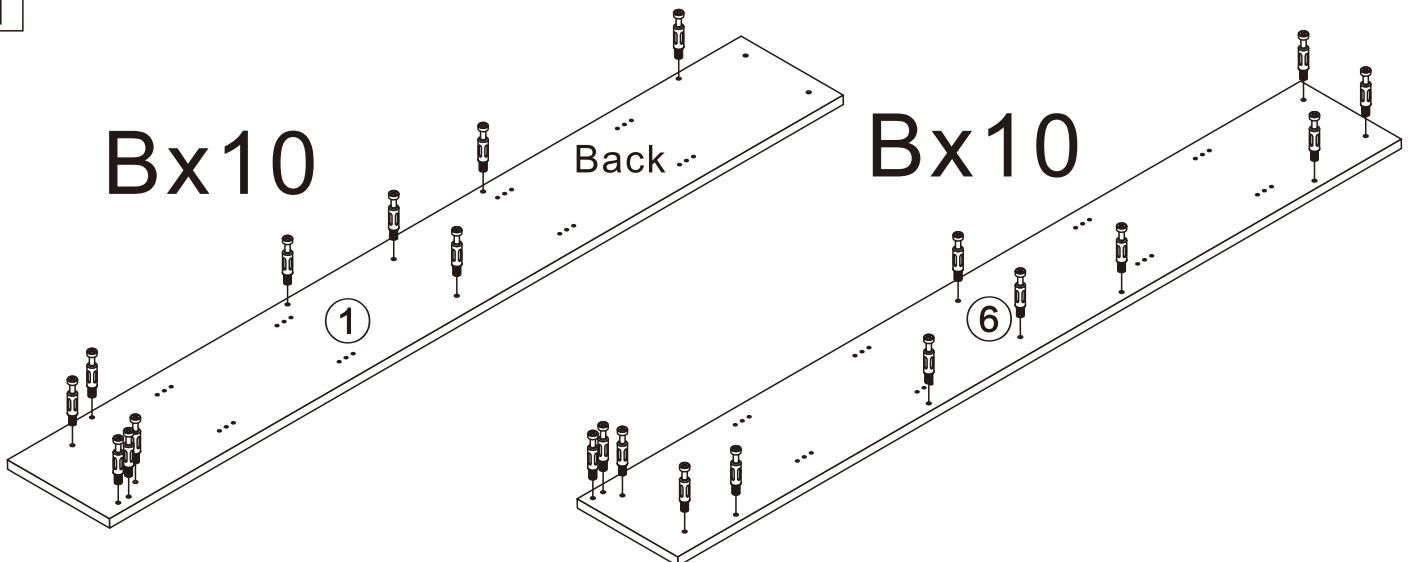
19



2PCS

20

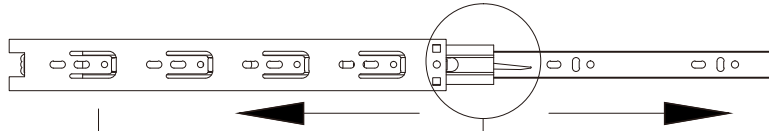
1



B	58PCS
6*28mm	

2

Dx6



D₁



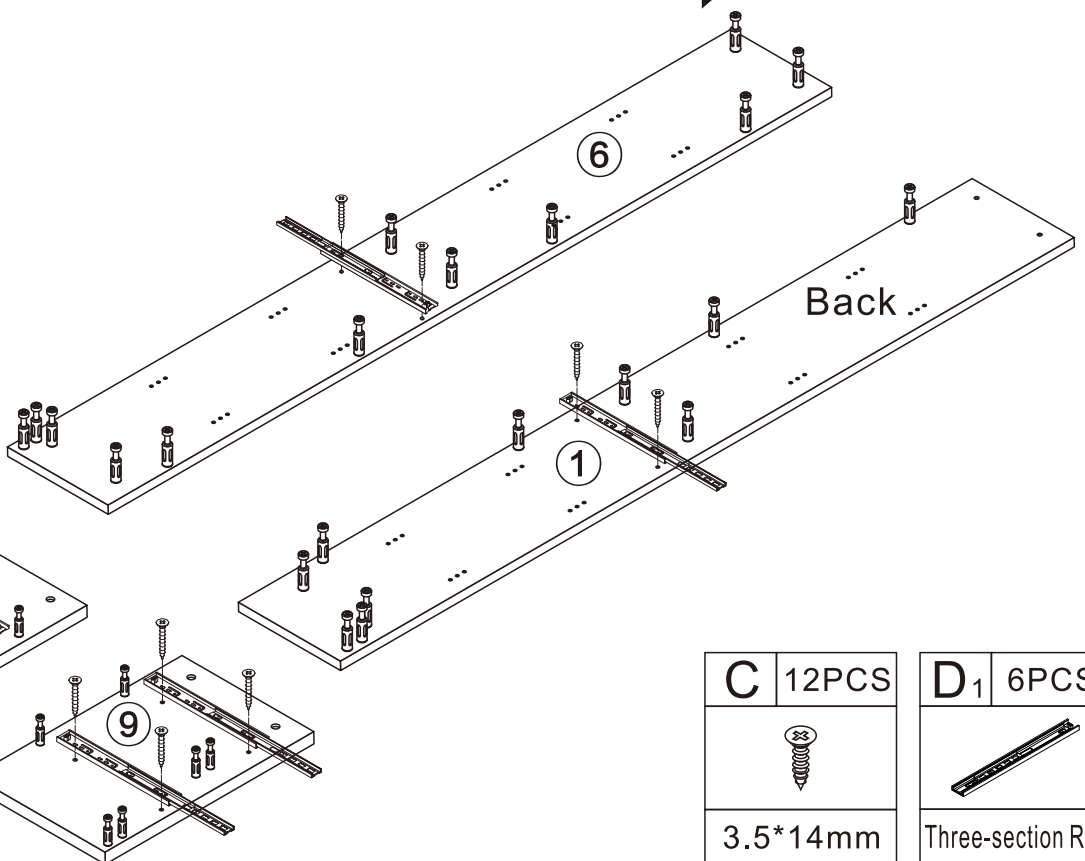
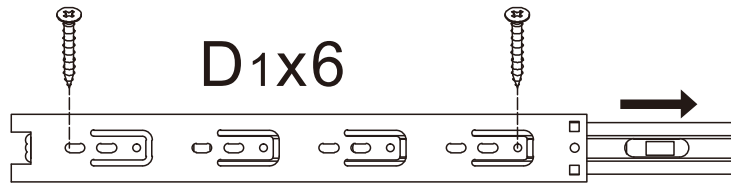
D₂



D ₁	6PCS
Three-section Rail	

3

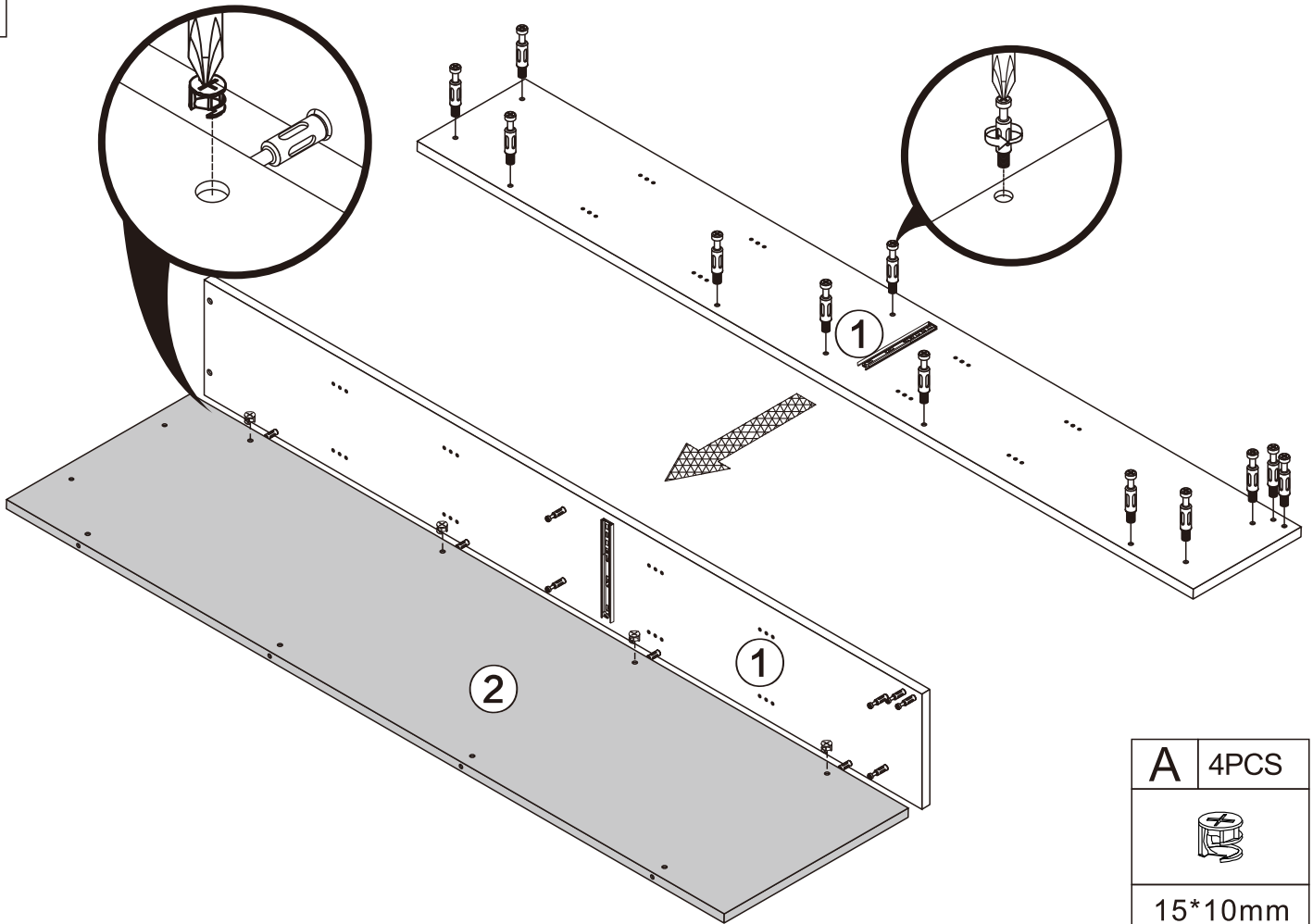
D₁X6
CX2X6




C	12PCS
3.5*14mm	

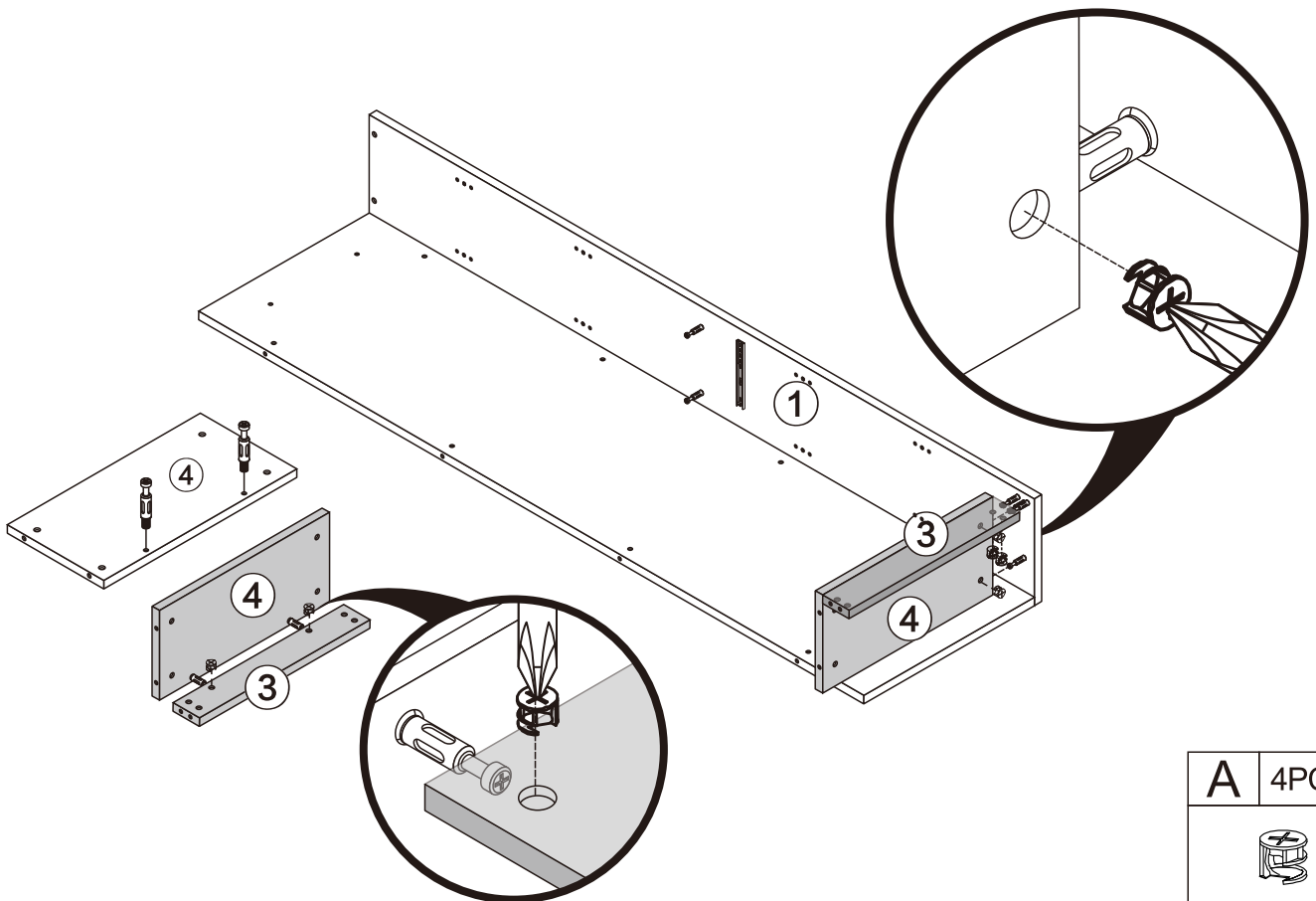
D ₁	6PCS
Three-section Rail	


4



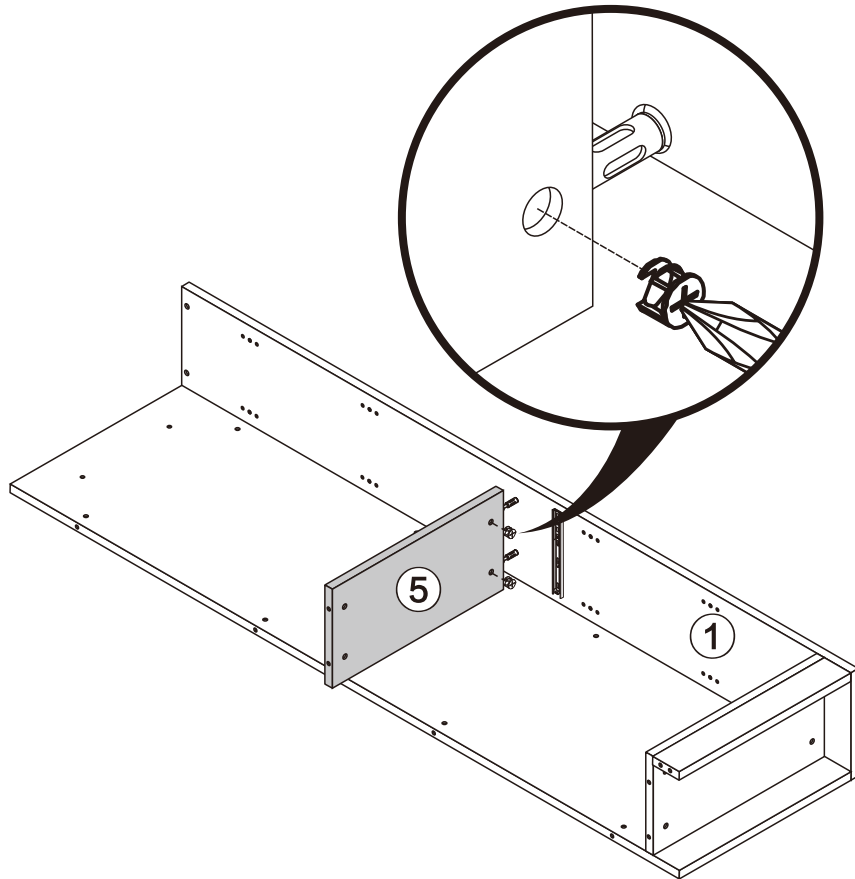
A	4PCS
	
15*10mm	


5



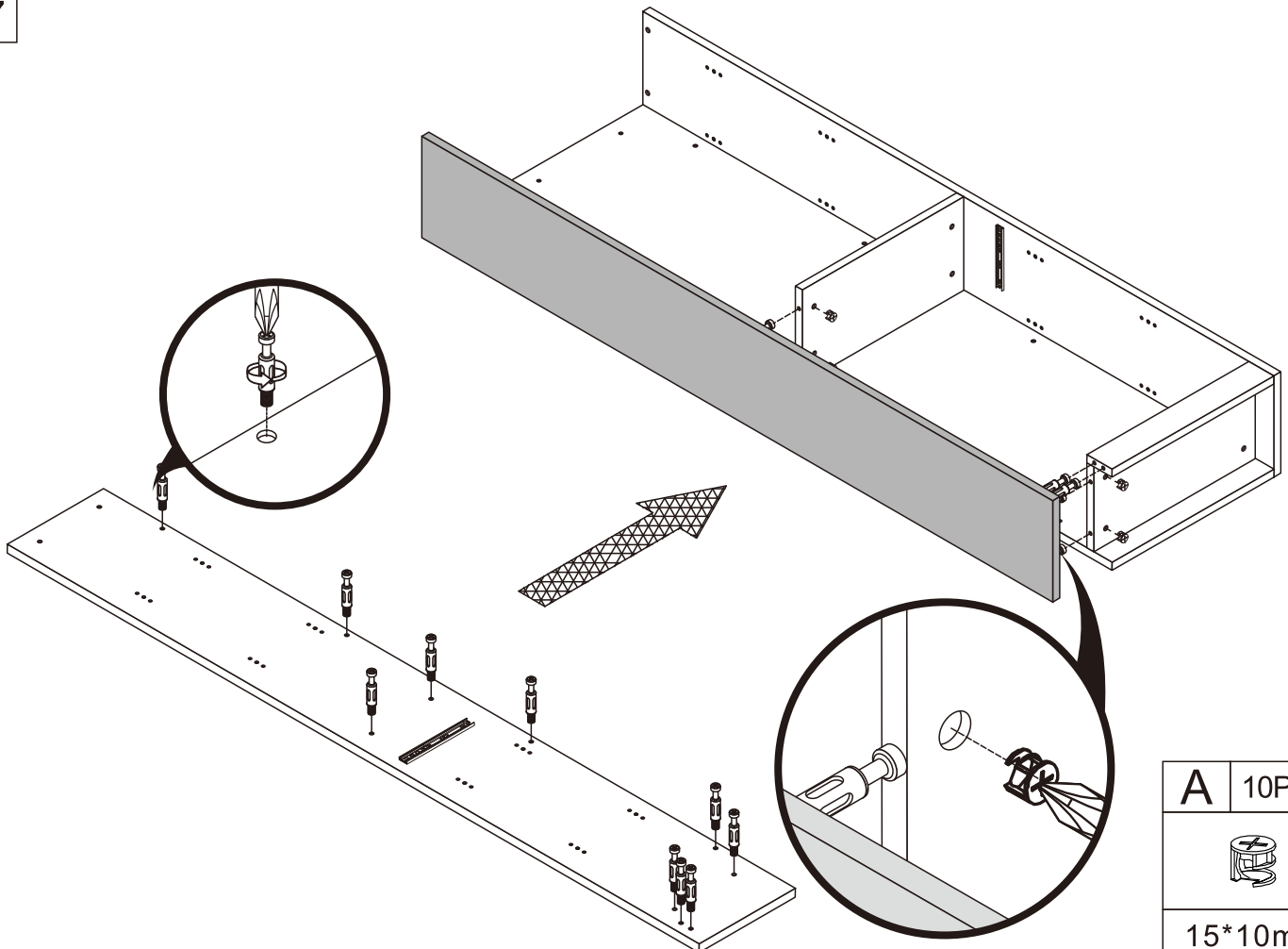
A	4PCS
	
15*10mm	


6



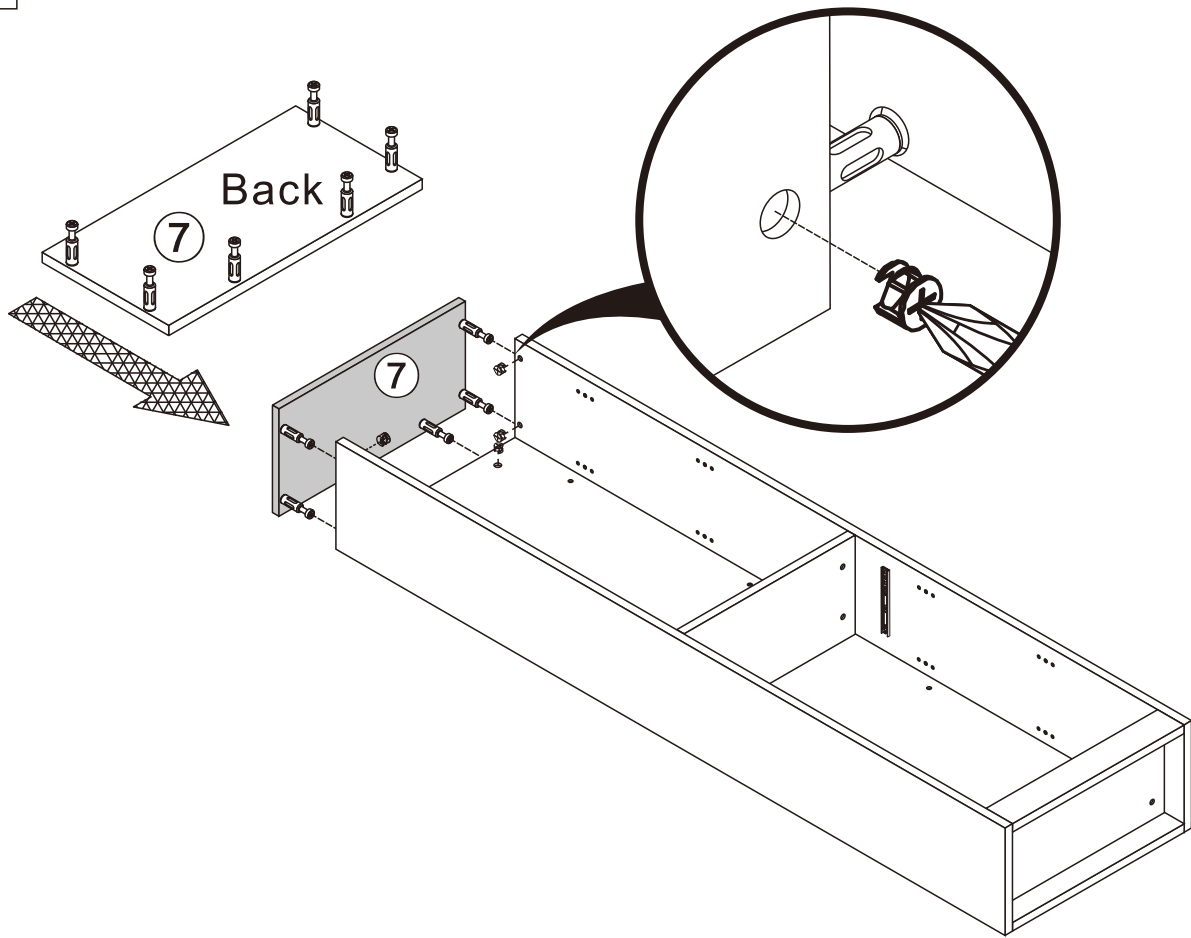
A	2PCS
	
15*10mm	


7



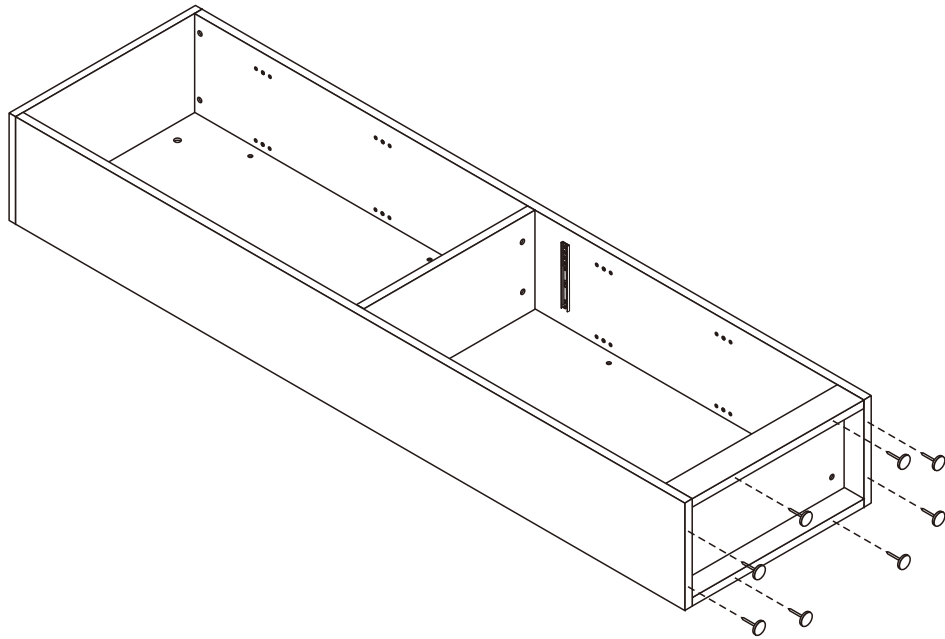
A	10PCS
	
15*10mm	


8

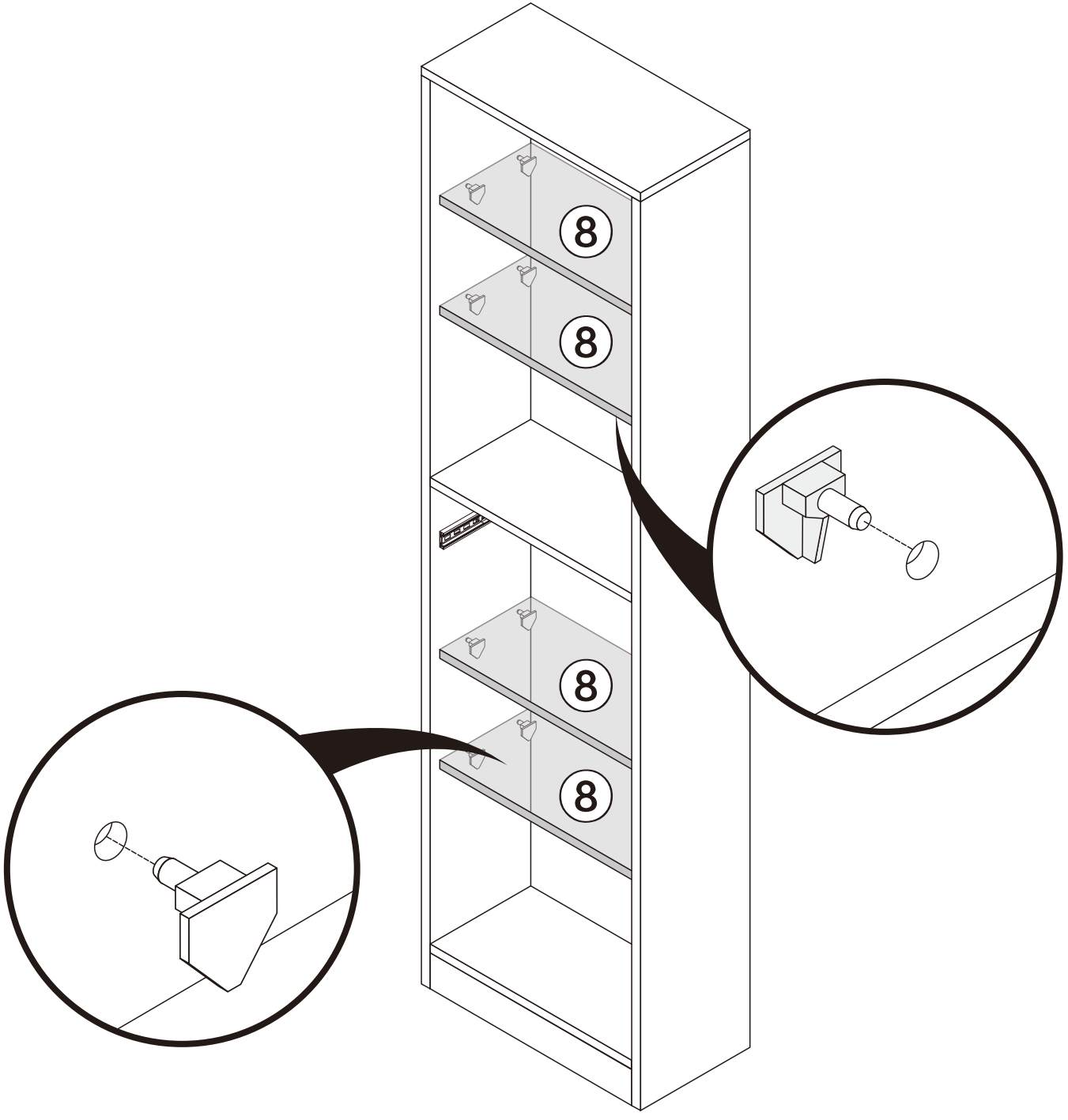


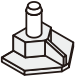
A	6PCS
	
15*10mm	

9

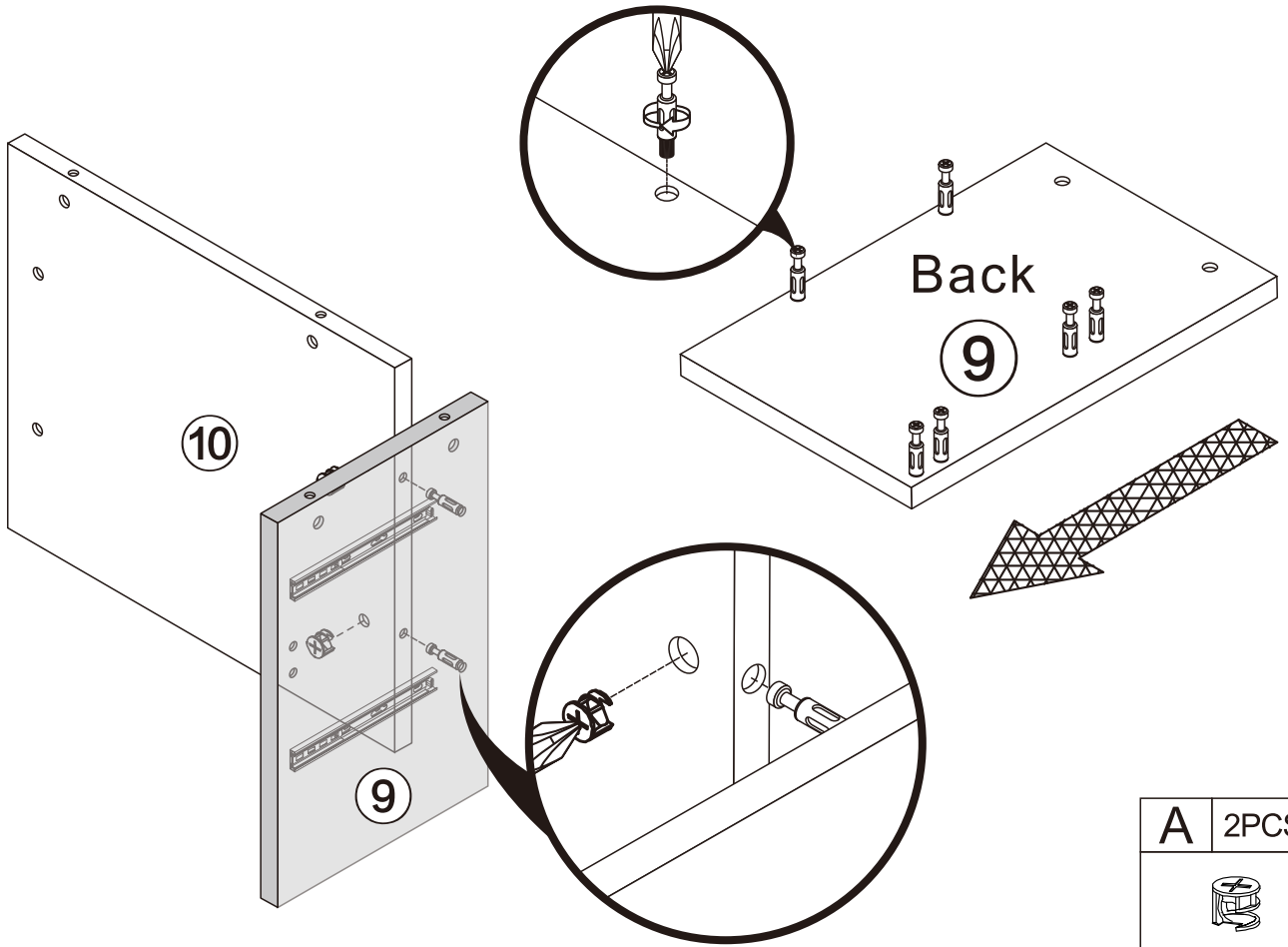



G	8PCS
	
φ 15mm	



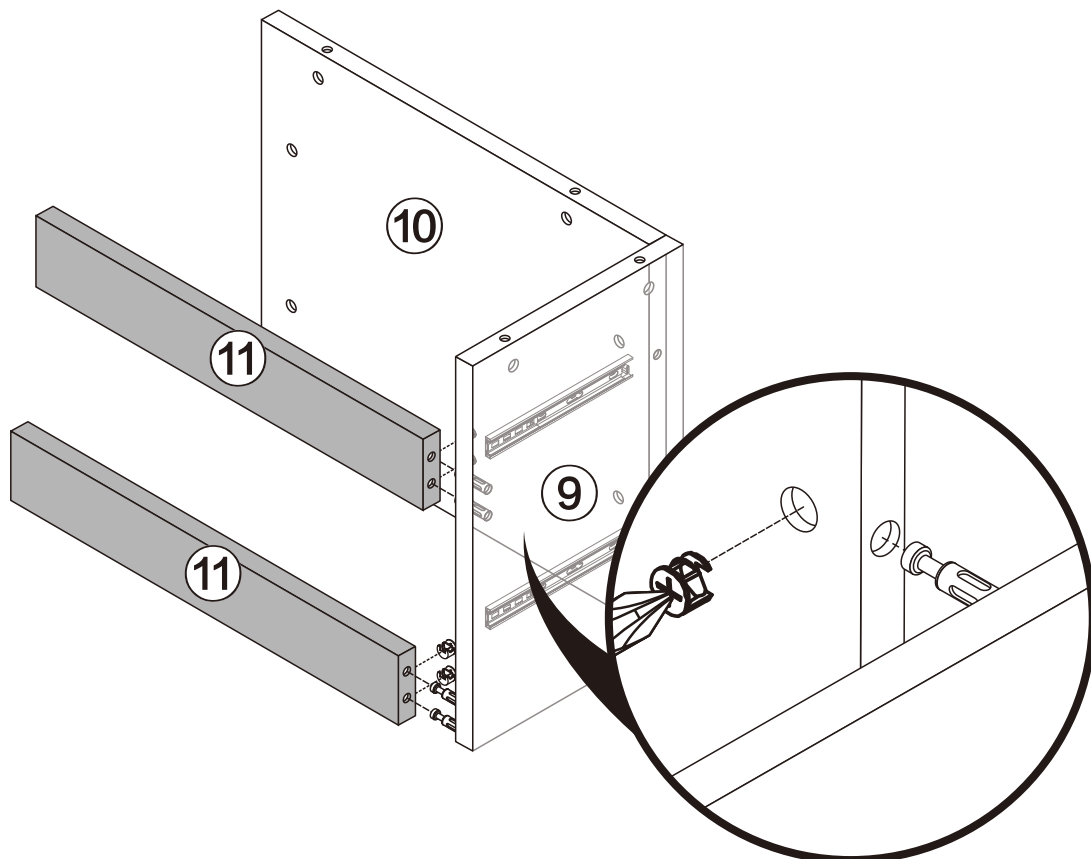
E	16PCS
	
Φ5*8mm	


11

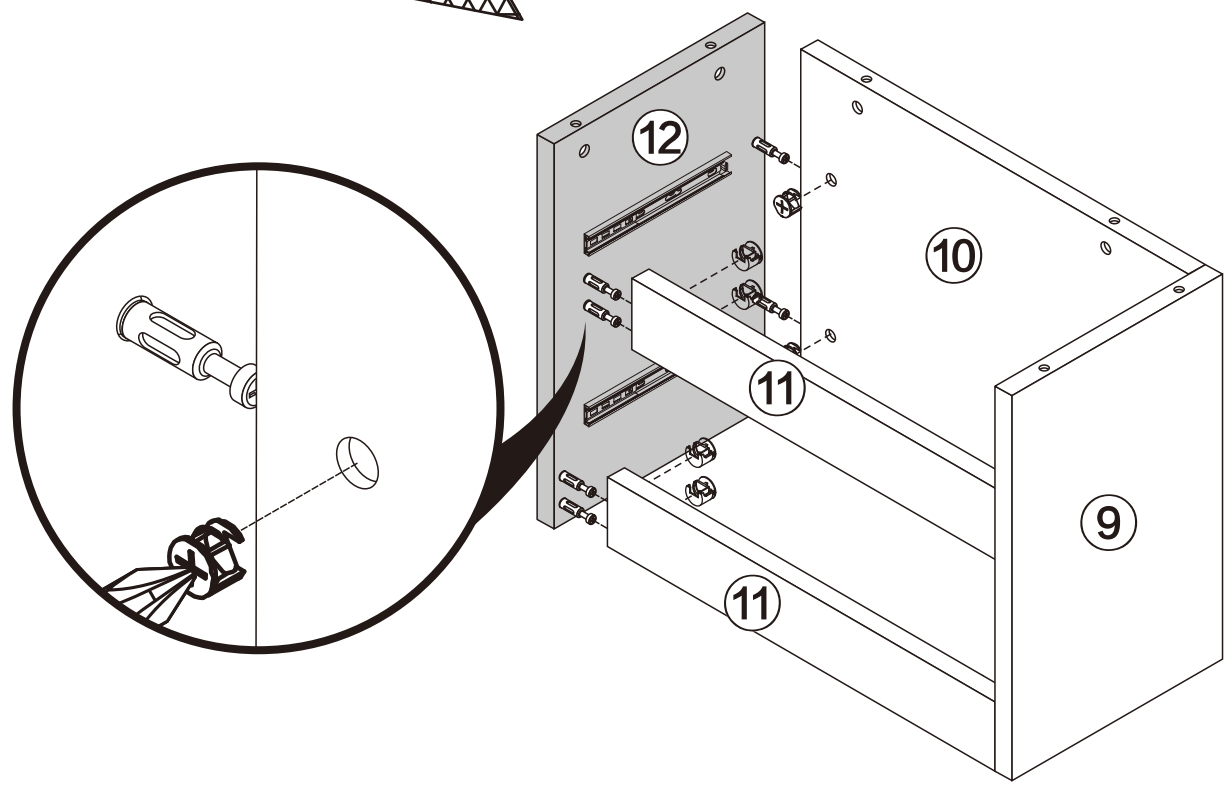
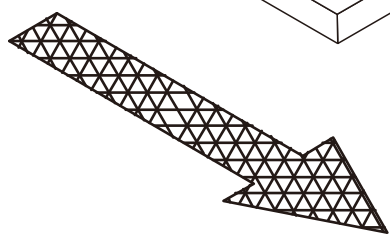
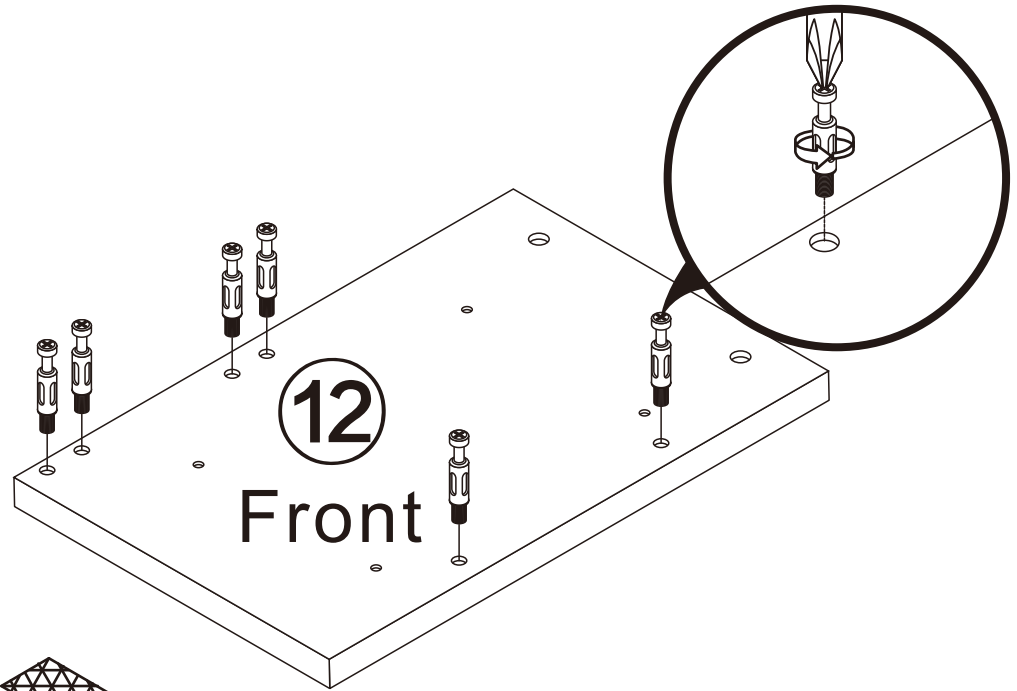



A	2PCS
	
15*10mm	

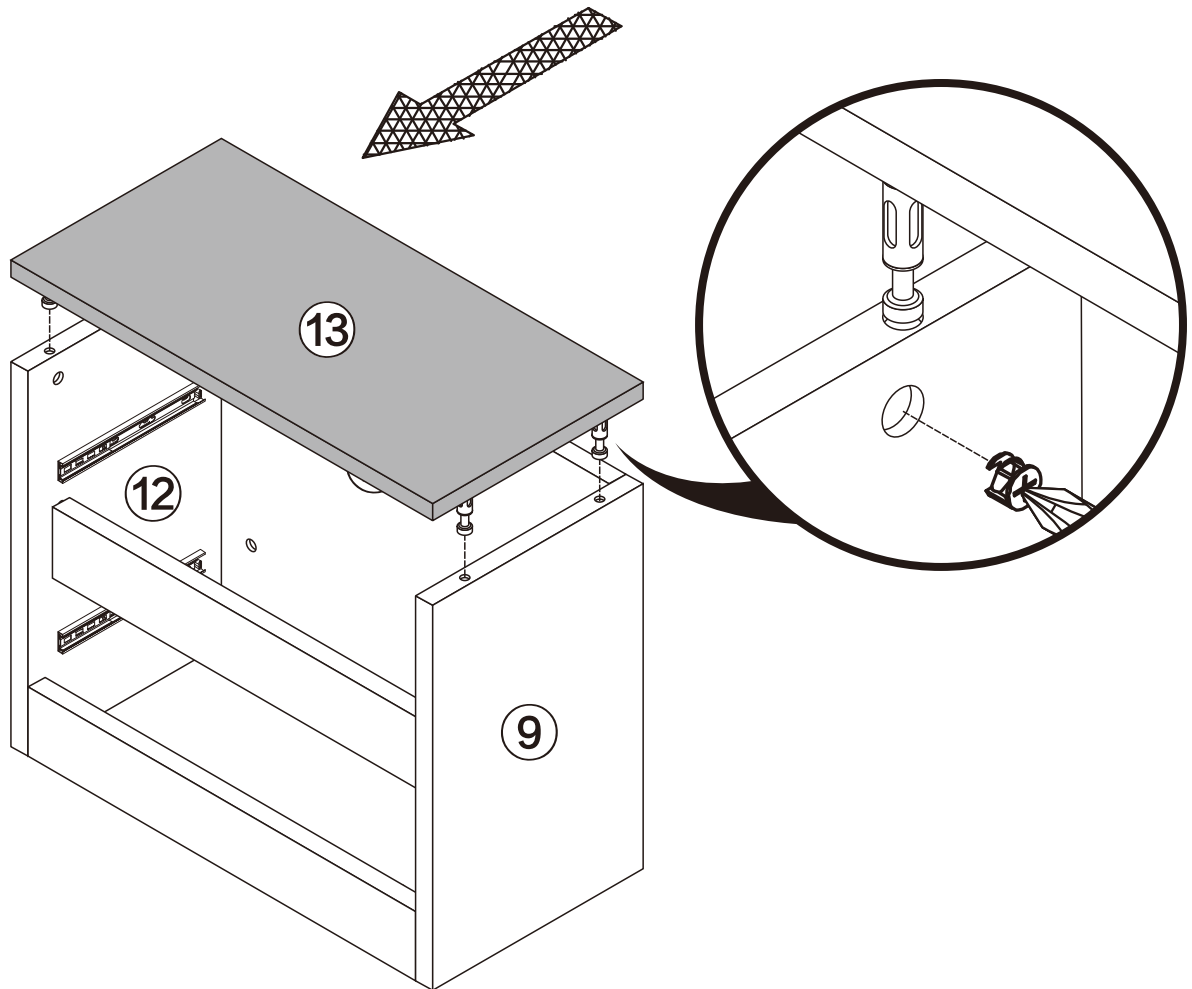
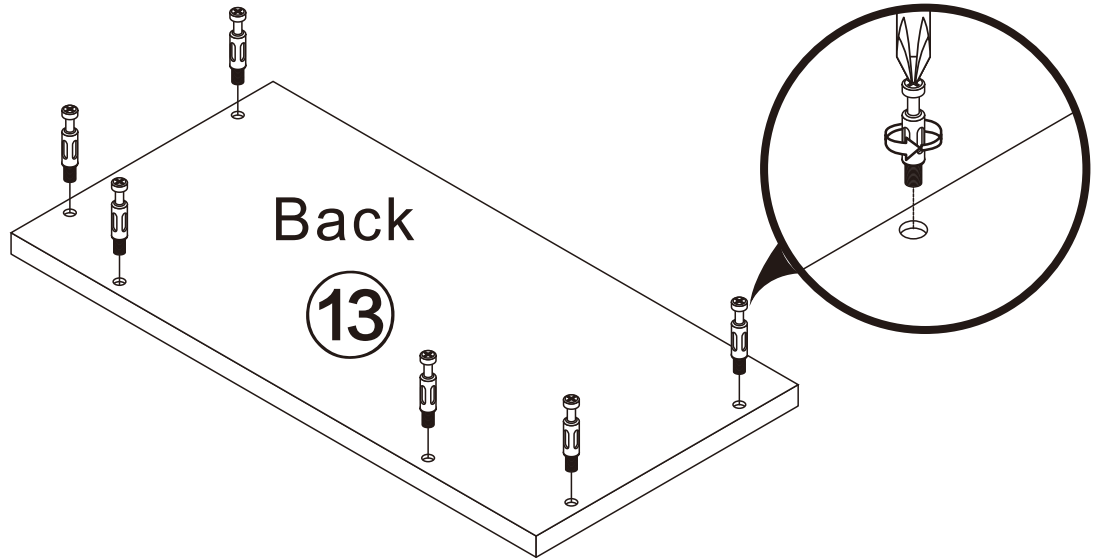
12




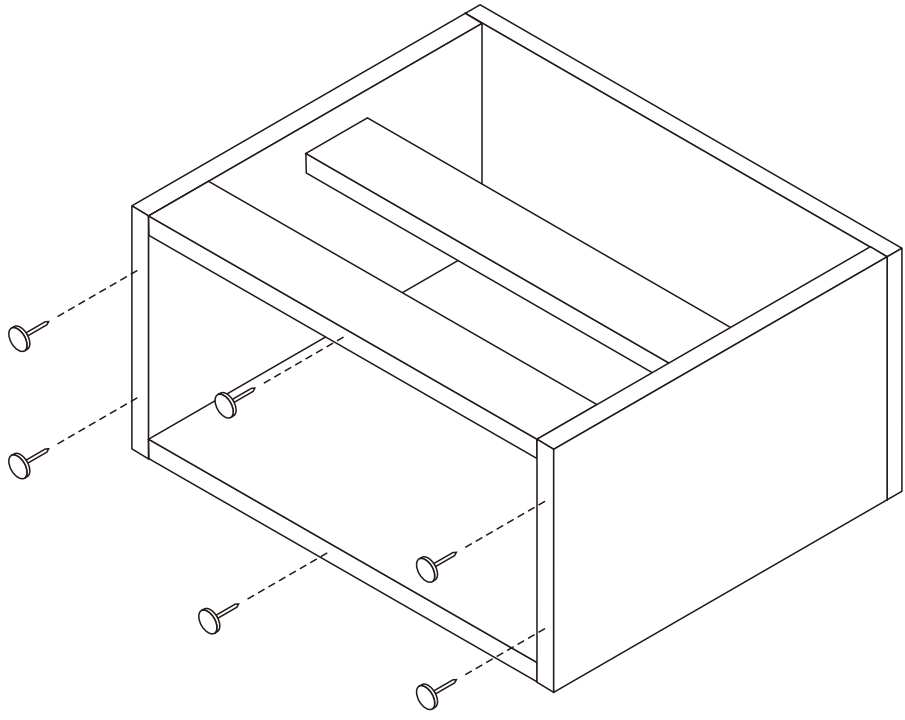
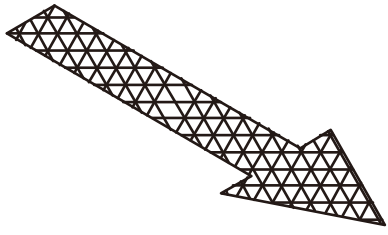
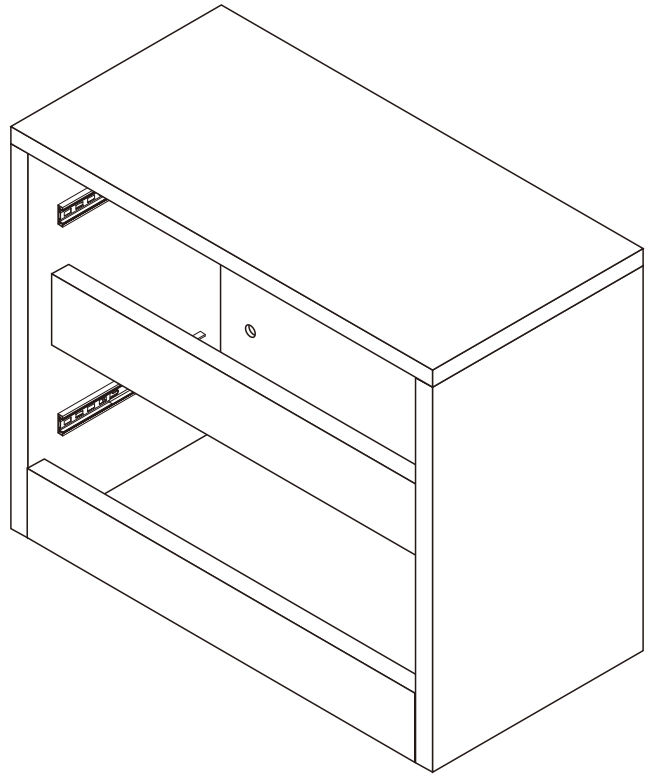
A	4PCS
	
15*10mm	




A	6PCS
	
15*10mm	

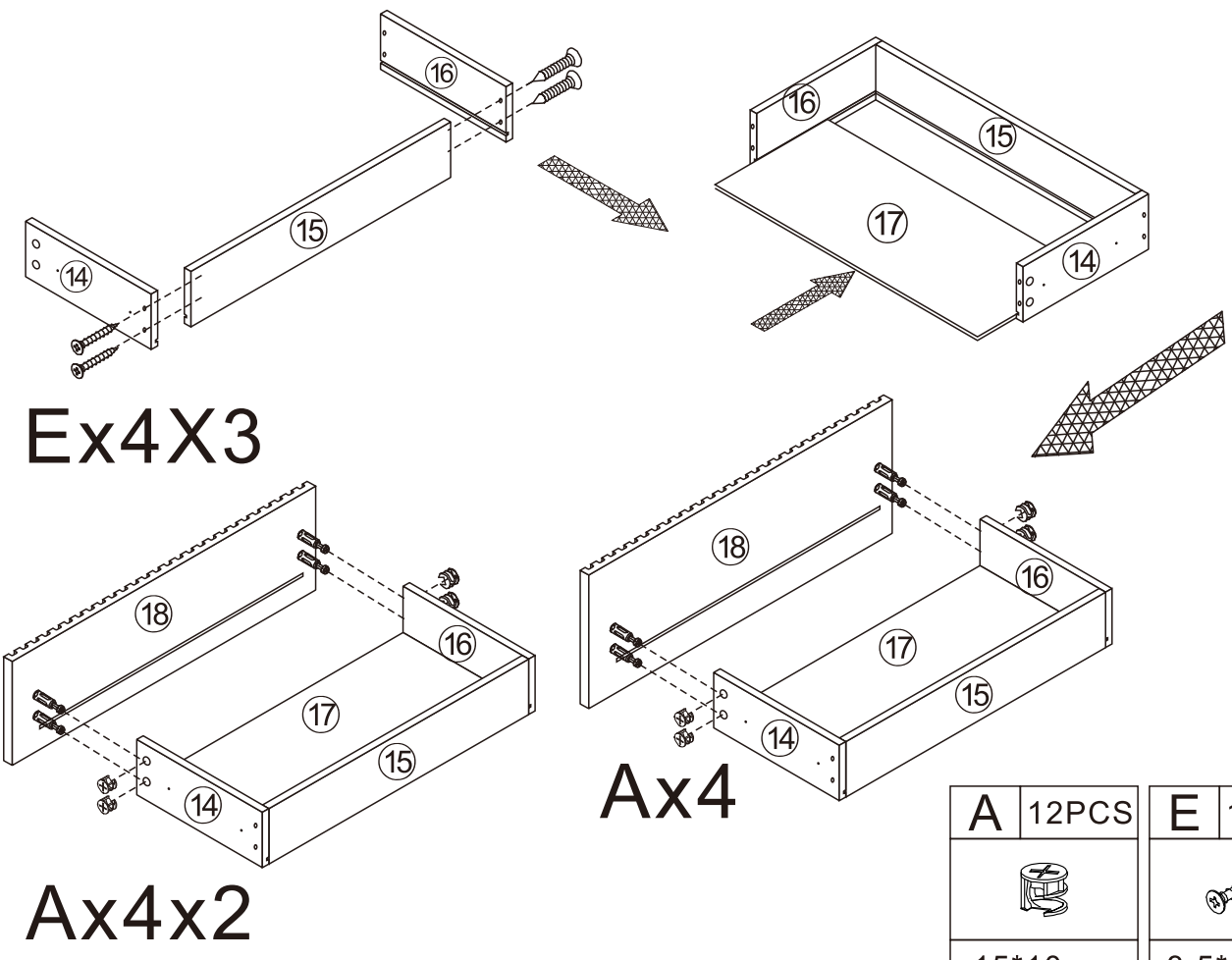


A	6PCS
	
15*10mm	



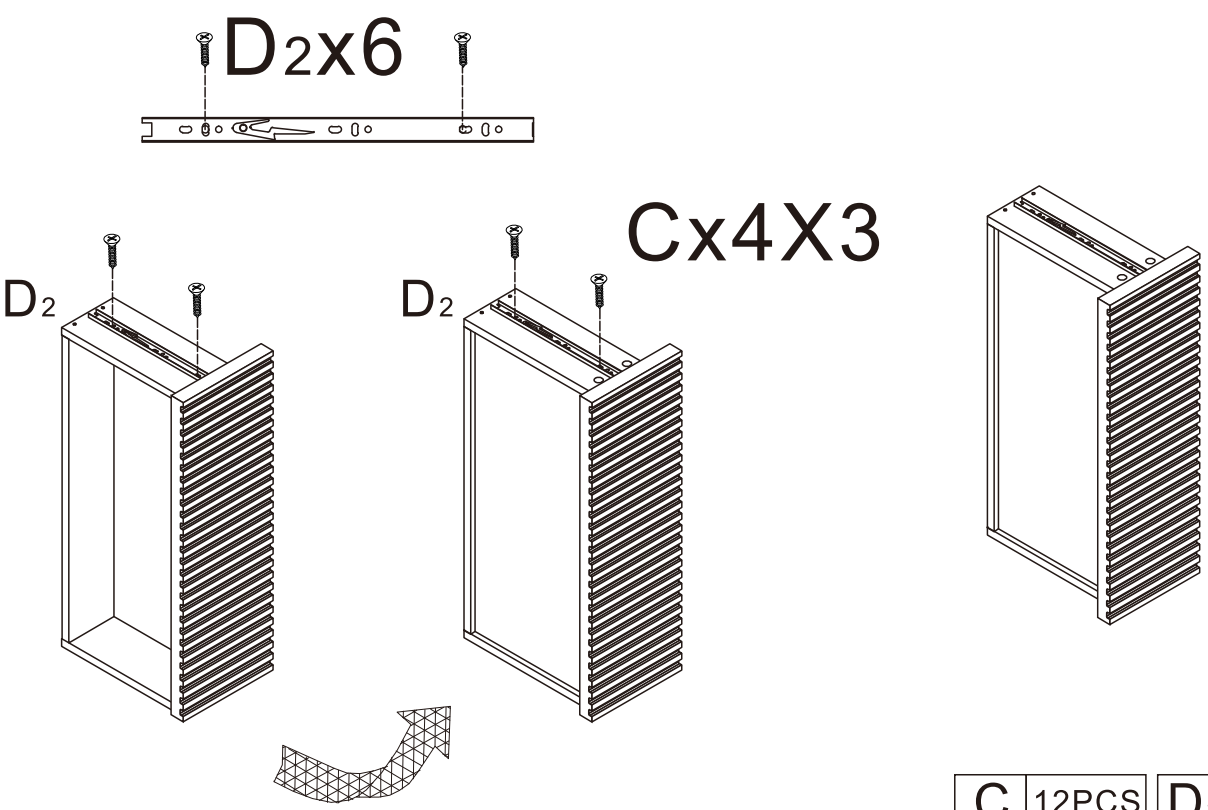
F	6PCS
	
φ 15mm	

16

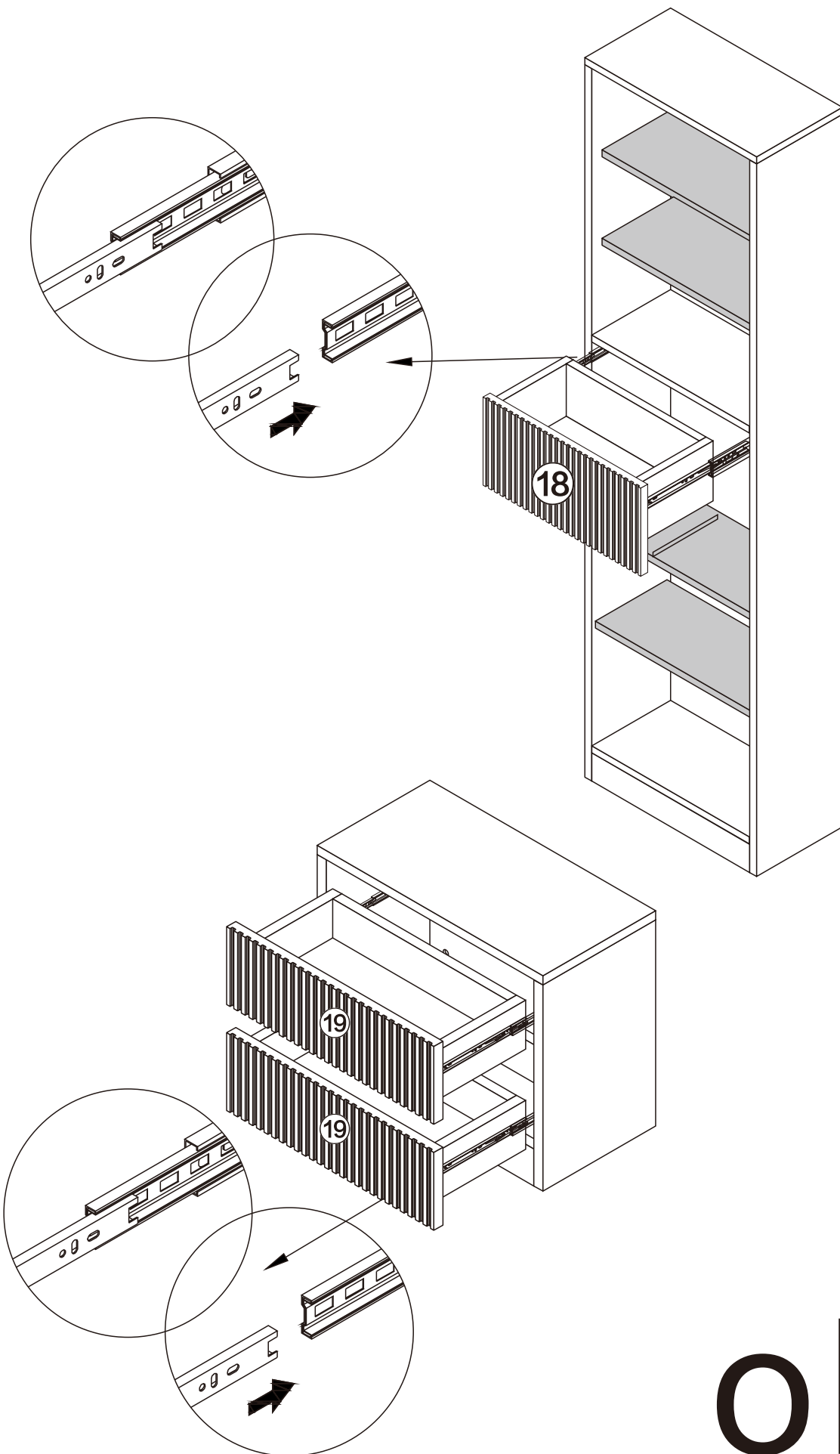


A	12PCS	E	12PCS
15*10mm		3.5*40mm	

17



C	12PCS	D₂	6PCS
3.5*14mm		Three-section Rail	



OK!