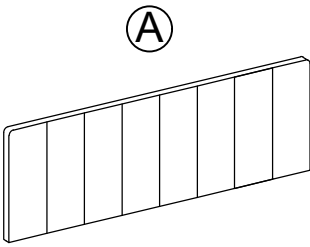
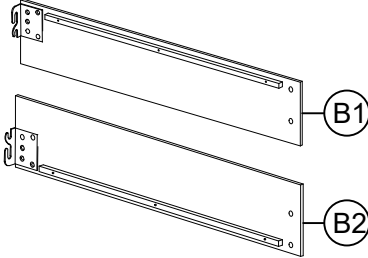
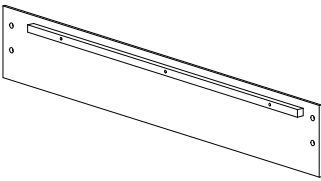
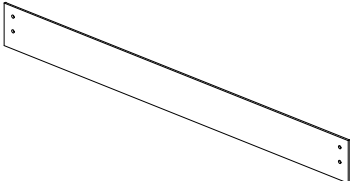
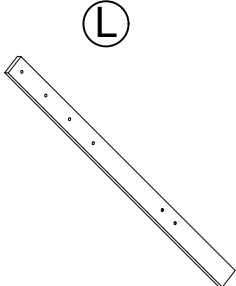
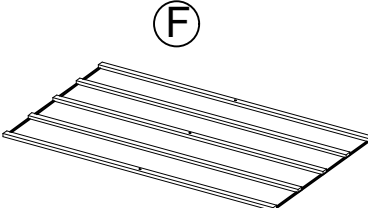
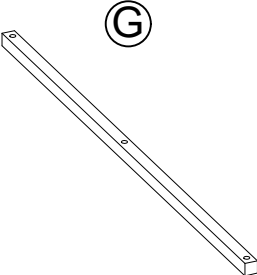
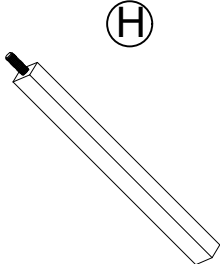
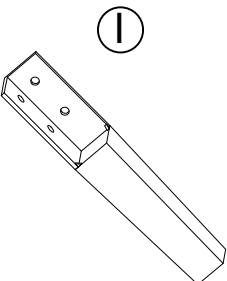
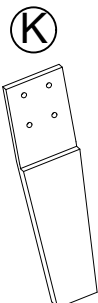


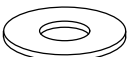



Instruction Manual

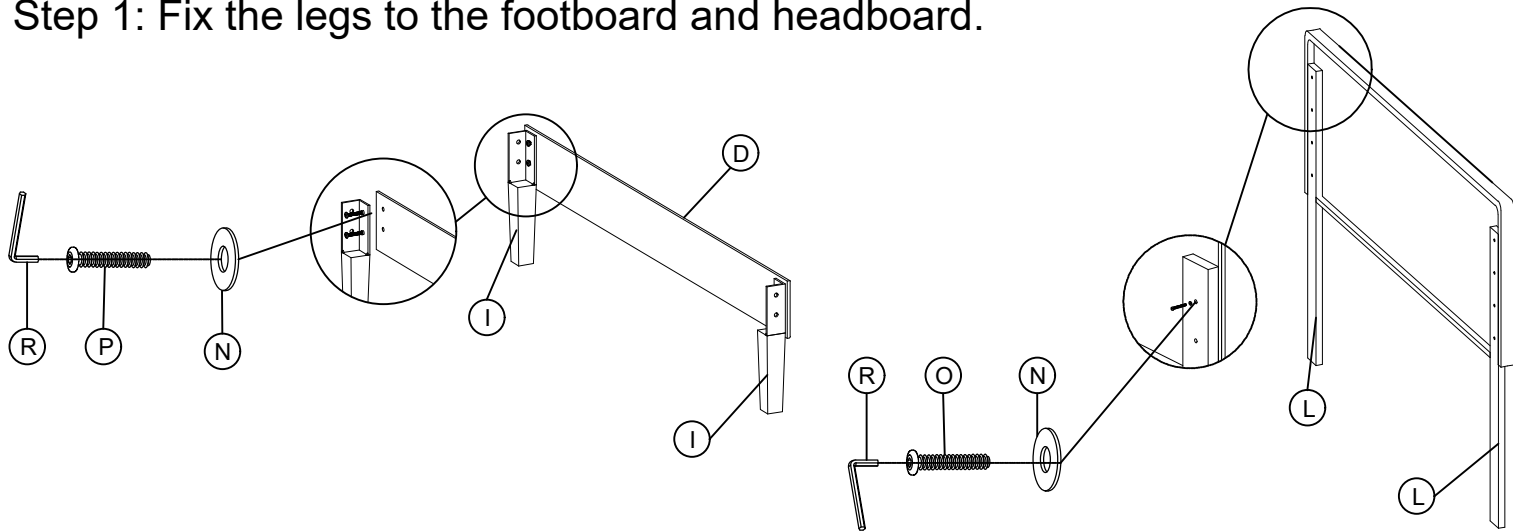
If you encounter any problems related to the product, please feel free to contact our after-sales team. We will do our best to provide you with the best solutions.

 <p style="text-align: center;">(A)</p>	 <p style="text-align: center;">(B)</p>	 <p style="text-align: center;">(C)</p>	 <p style="text-align: center;">(D)</p>
<p style="text-align: center;">Bed headboard 1 pcs</p>	<p style="text-align: center;">Bed side panel (L/R)</p>	<p style="text-align: center;">Bed side panel 2 pcs</p>	<p style="text-align: center;">Footboard 1 pcs</p>
 <p style="text-align: center;">(L)</p>	 <p style="text-align: center;">(F)</p>	 <p style="text-align: center;">(G)</p>	 <p style="text-align: center;">(H)</p>
<p style="text-align: center;">Legs for the headboard 2 pcs</p>	<p style="text-align: center;">Bed slat with holes 2 set</p>	<p style="text-align: center;">Bed slat support rail 2 pcs</p>	<p style="text-align: center;">Bed slat support legs 6 pcs</p>
 <p style="text-align: center;">(I)</p>	 <p style="text-align: center;">(K)</p>		
<p style="text-align: center;">Legs for the footboard 2 pcs</p>	<p style="text-align: center;">Middle leg of the bed 2 pcs</p>		

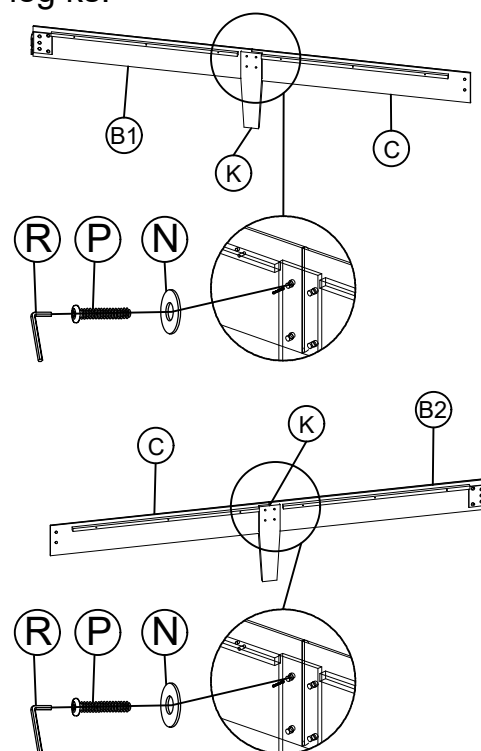
HARDWARELIST

NO.	Drawing	Description	Qty
O		Screw(M8x40mm)	8pcs
P		Screw(M8x25mm)	20pcs
N		Gasket(M8x19mm)	28pcs
R		Allen key (4mm)	1pcs

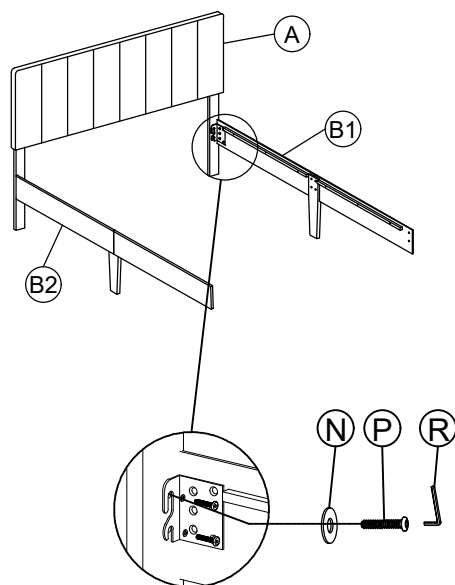
Step 1: Fix the legs to the footboard and headboard.



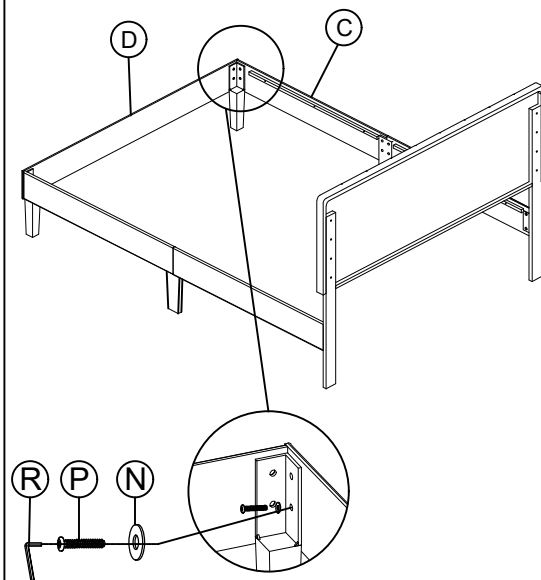
Step 2: Connect the bed side panel together with the middle leg ks.



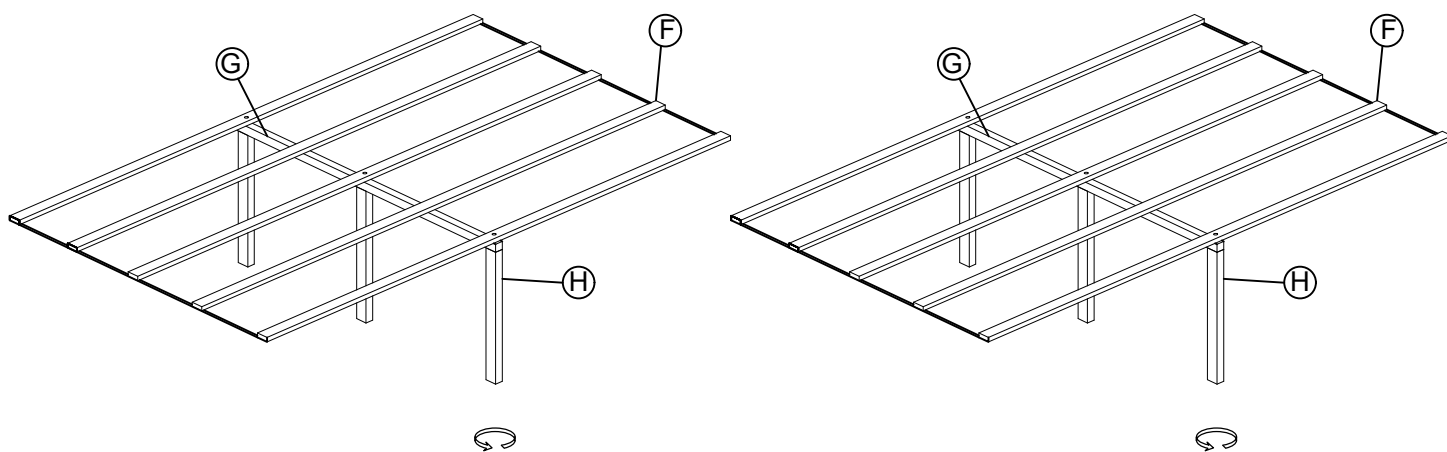
Step 3: Attach the bed slat to the headboard and tighten.



Step 4: Fix the legs of the footboard to the bed slat.



Step 5: Fix the bed slat to the bed support rail and the bed slat support legs.



Step 6: Put the bed slat sets on bed frame and the assembly is completed.

