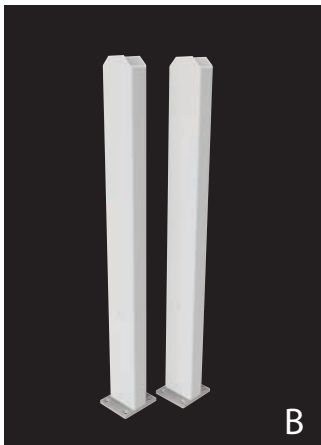


# Hampton Outdoor Vinyl Shower Kit (3' x 3' Enclosure)



## ASSEMBLY GUIDE

### ★ ACCESSORIES REQUIRED FOR INSTALLATION ★

- (A) Zippity Post Extension for In-Ground Installation *(Sold as 4-Packs)*
- (B) Zippity Galvanized Steel Surface Mount for Concrete or Wood Surface *(Sold as 2-Packs)*

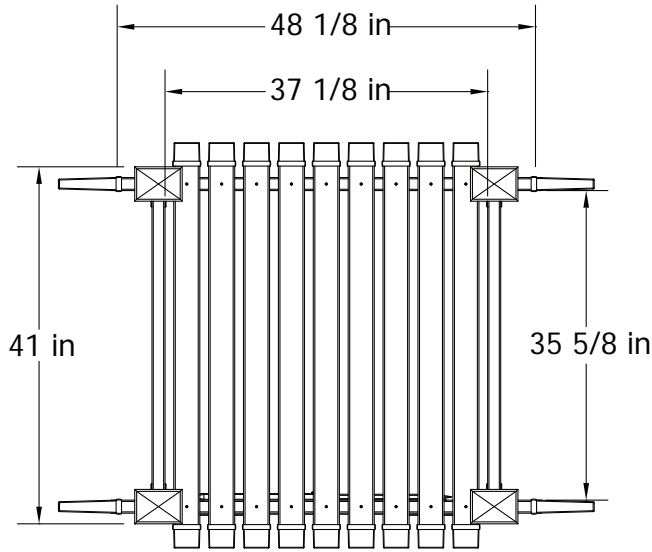


[www.zippity-outdoor.com](http://www.zippity-outdoor.com)

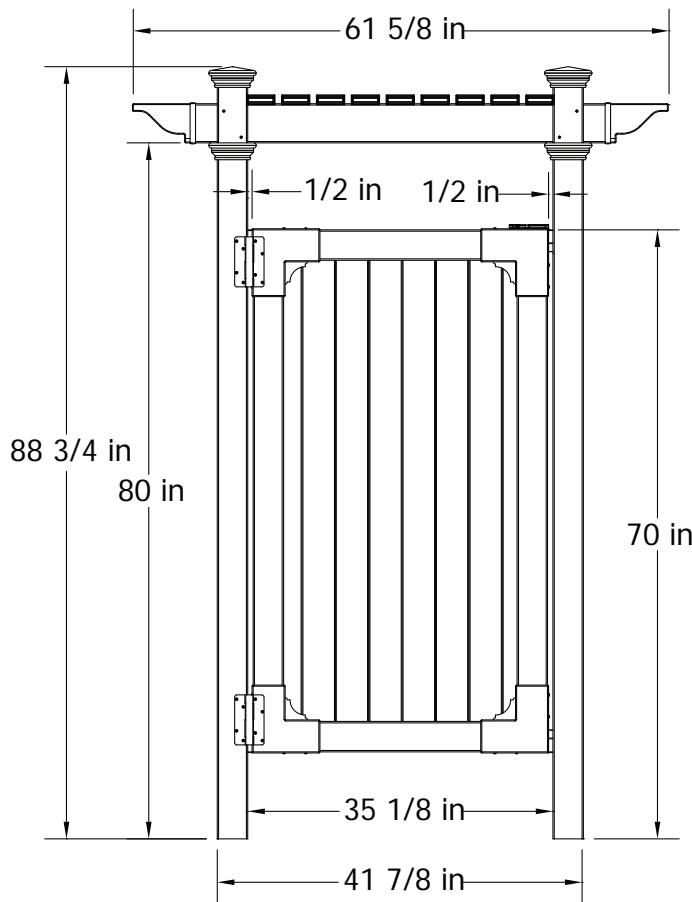
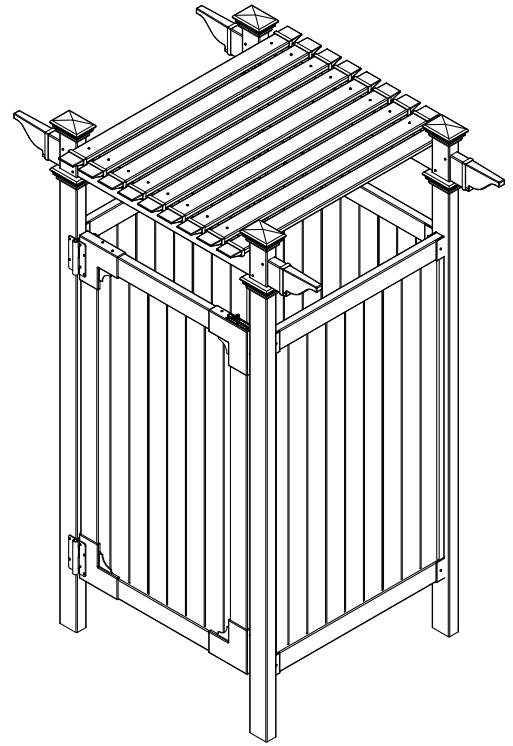


**ZIPPITY**  
DO-IT-YOURSELF  
FRIENDLY PRODUCTS

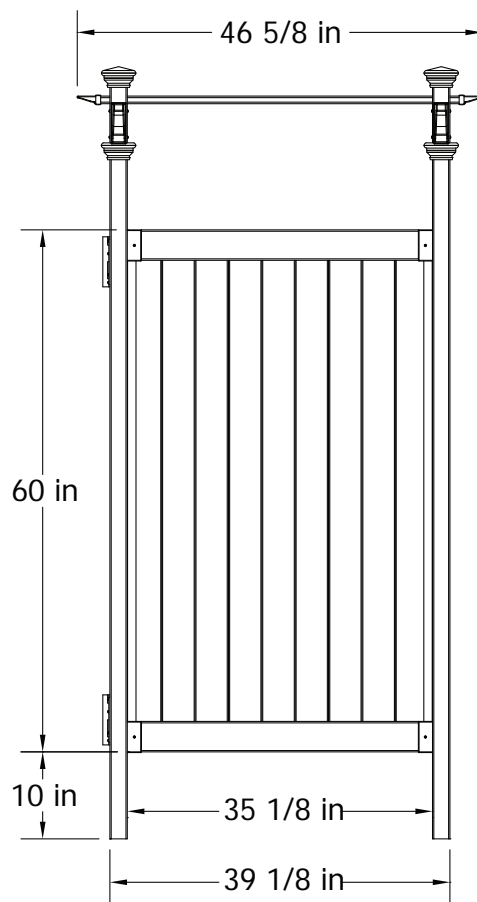
# Measurements



Top View

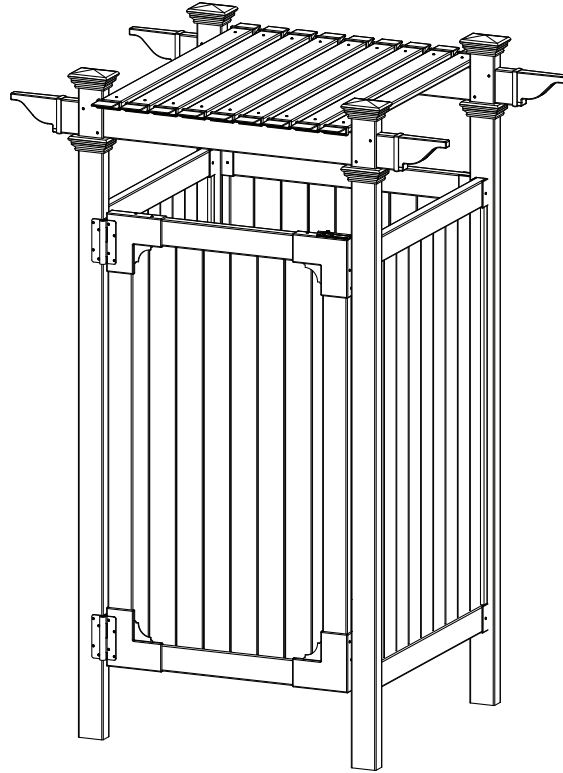


Front View



Side View

# Introduction & Overview



## Getting Started

First off, allow us to say thank you for the investment you have made in one of our fine shower kits. This kit is designed to be assembled and installed ideally by two people with basic carpentry knowledge and tools. Do not attempt alone, especially during the installation stage. Should you decide to moderately modify the dimensions of your shower from the standard kit size, a circular saw with a sharp fine-tooth blade is all that is needed to cut, shorten or modify the vinyl components. When assembling components place on a non-abrasive surface (ie: shipping box) to avoid scratching. We recommend a 15' x 15' area for unobstructed assembling. You should not need to use excessive force when assembling any components.

## Planning & Preparing

The Outdoor Shower is made to stand independent of your home and you can either locate it near your house or let it stand alone in any area with a level ground surface. By keeping it unattached from your home you will not have to deal with moving existing gutters or matching eave heights. If you plan to build your shower close to the house, please keep the outer extremities of the shower a minimum of 4 inches back from your eaves.

What looks like the toughest part of this project is actually the easiest, the graceful, solid-looking posts. We've designed these posts to simply be extended with our Post Extension for In-Ground Installation Kit, or directly mounted to a pre-existing concrete or wood surface using our Galvanized Steel Surface Mounts. See page 7 for more information.

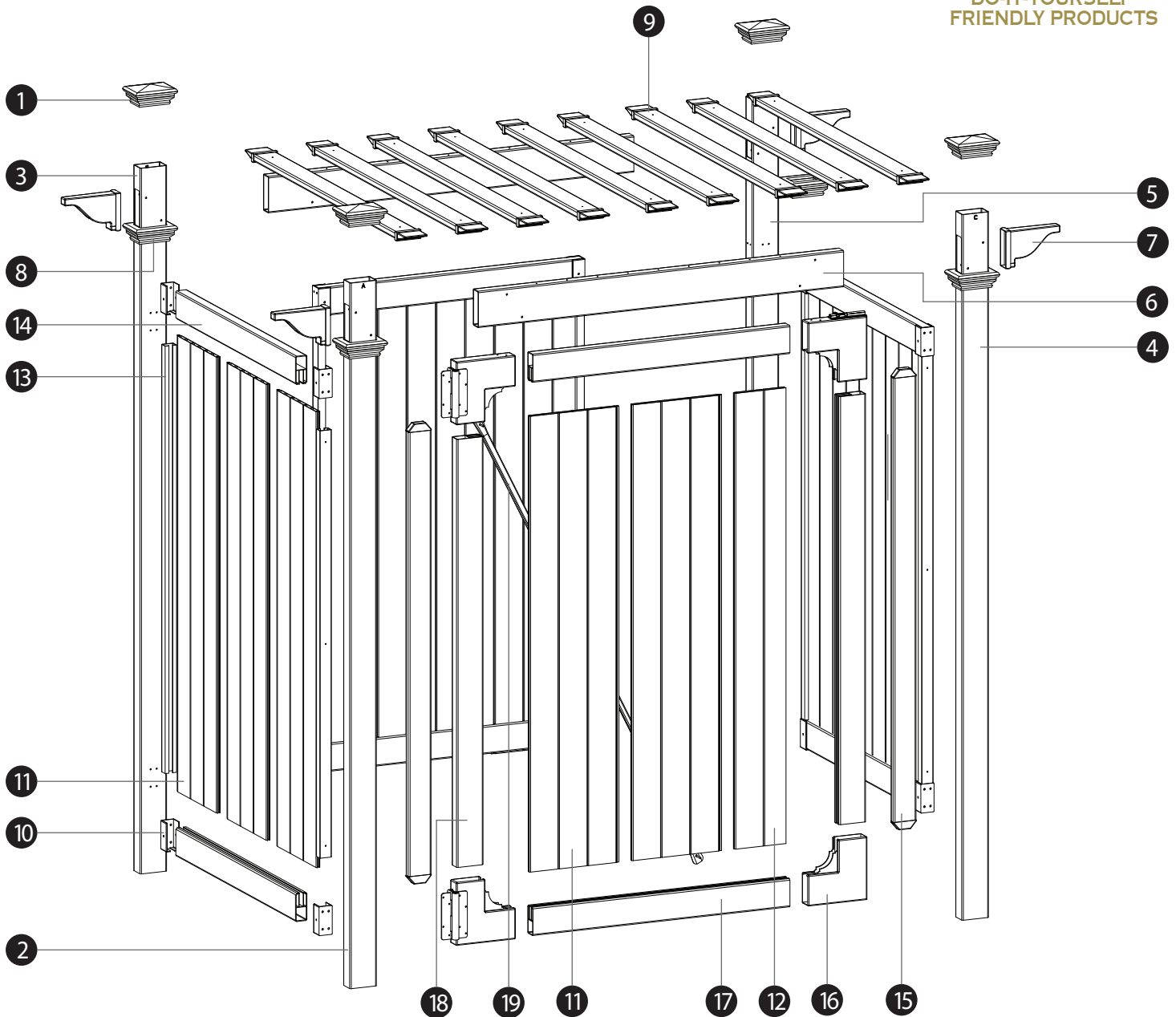
It is critical before you start that you consider the current slope of the elevation where the shower is planned - if there is any. Also utility or sprinkler line location is important to identify prior to excavating holes if necessary. You should also check to verify local building codes, ordinances, neighbourhood covenants, or height restrictions regarding this type of structure.

**Please take the time to read this instruction guide thoroughly prior to the construction of your shower. If you have any questions, feel free to contact our technical dept by calling 1 877 234 6196 (Mon to Fri 8:00 A.M. to 4:00 P.M. EST).**



**ZIPPITY**  
DO-IT-YOURSELF  
FRIENDLY PRODUCTS

# Outdoor Shower Materials Overview



- |   |  |
|---|--|
| <ul style="list-style-type: none"> <li><b>1.</b> Post Caps (4)</li> <li><b>2.</b> Post - A (1)</li> <li><b>3.</b> Post - B (1)</li> <li><b>4.</b> Post - C (1)</li> <li><b>5.</b> Post - D (1)</li> <li><b>6.</b> Beams (2)</li> <li><b>7.</b> Decorative End Caps (4)</li> <li><b>8.</b> Post Trim Caps (4)</li> <li><b>9.</b> Shade Slats (9)</li> <li><b>10.</b> Rail Brackets (12)</li> </ul> | <ul style="list-style-type: none"> <li><b>11.</b> Privacy Boards (11)</li> <li><b>12.</b> Privacy Board - Trimmed (For Gate) (1)</li> <li><b>13.</b> Wall U-Channel (6)</li> <li><b>14.</b> Wall Horizontal Rails (6)</li> <li><b>15.</b> Privacy Strip (2)</li> <li><b>16.</b> Gate Corner Brackets (4)</li> <li><b>17.</b> Gate Horizontal Rails (2)</li> <li><b>18.</b> Gate Vertical Rails (2)</li> <li><b>19.</b> Gate Brace (1)</li> </ul> |
|---|--|

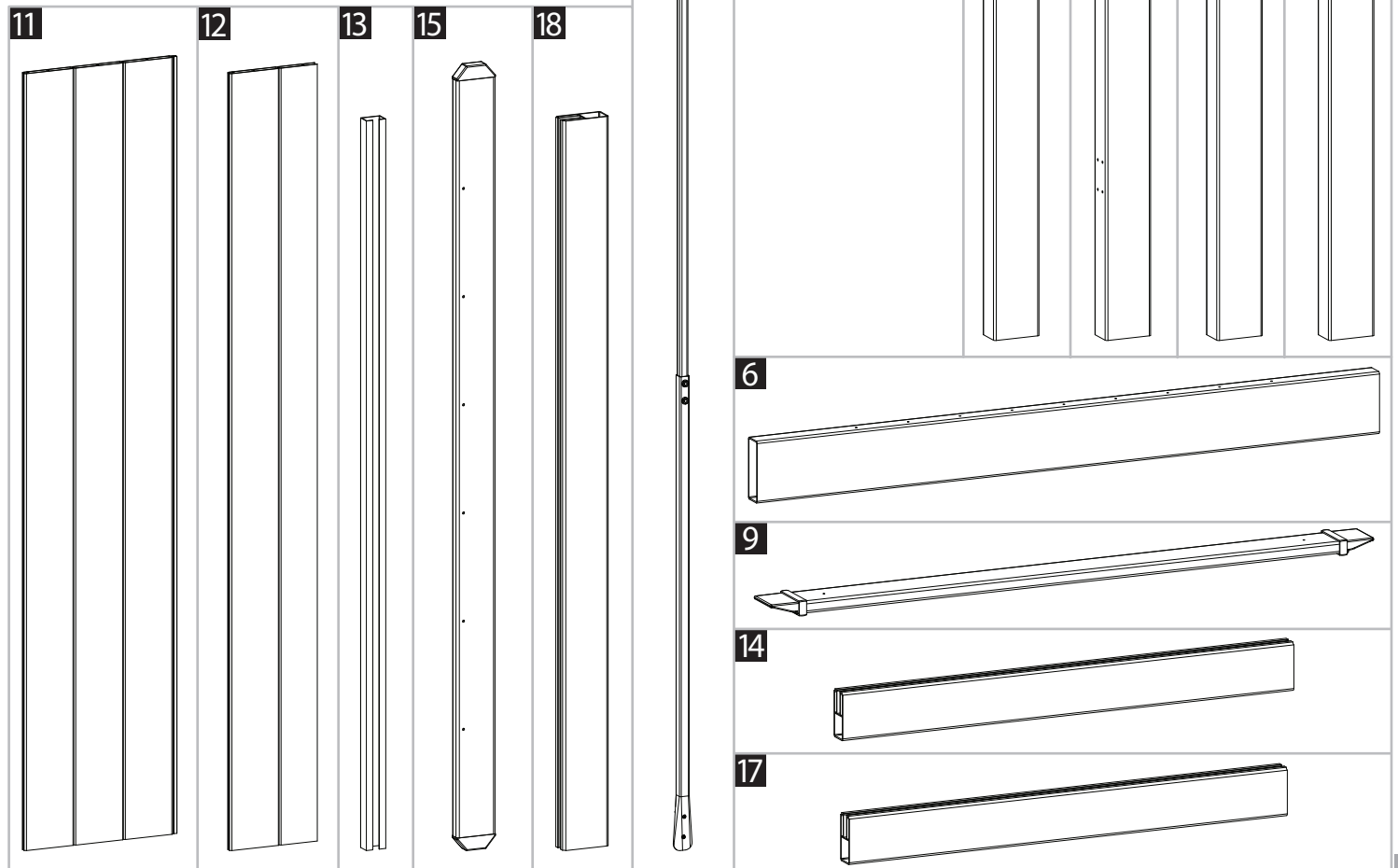
## Outdoor Shower Materials Breakdown

### Check Boxes (Total of 3) for These Contents

In the event of missing or defective parts please call our customer service dept. at **1 877 234 6196** (Mon. to Fri. 8:00 AM to 4:00 PM EST).

1. Post Caps (4)
2. Post - A (1) 2" x 3 1/2" x 87 3/8"
3. Post - B (1) 2" x 3 1/2" x 87 3/8"
4. Post - C (1) 2" x 3 1/2" x 87 3/8"
5. Post - D (1) 2" x 3 1/2" x 87 3/8"
6. Beams (2) 1 1/2" x 4 1/2" x 48"
7. Decorative End Caps (4)
8. Post Trim Caps (4)
9. Shade Slats (9)
10. Rail Brackets (12)
11. Privacy Boards (11) 1/2" x 11 1/2" x 56 3/8"
12. Privacy Board - Trimmed (For Gate) (1) 1/2" x 6 3/4" x 56 3/8"
13. Wall U-Channel (6) 53" Long
14. Wall Horizontal Rails (6) 1 1/2" x 3 1/2" x 34 7/8"
15. Privacy Strip (2) 5/8" x 3" x 57"
16. Gate Corner Brackets (4)
17. Gate Horizontal Rails (2) 1 1/2" x 3 1/2" x 33 5/8"
18. Gate Vertical Rails (2) 1 1/2" x 3 1/2" x 53"
19. Gate Brace (1)

Not to Scale



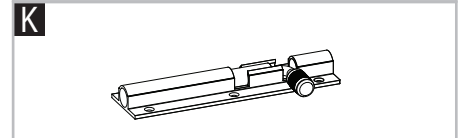
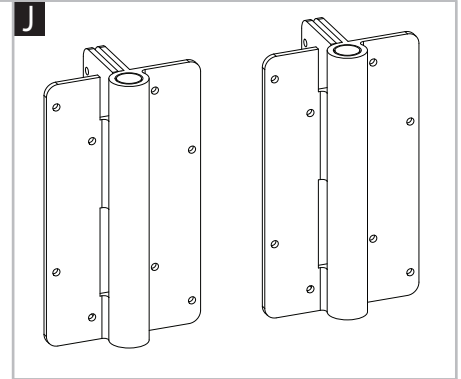
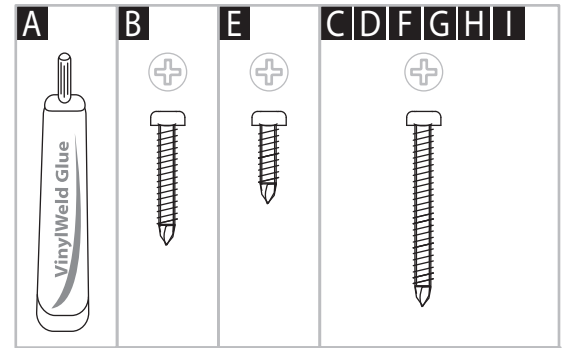
# Shower Additional Materials List

## Hardware *(in plastic bag)*

**NOTE: WE HAVE INCLUDED 10% EXTRA SCREWS BEYOND WHAT IS IDENTIFIED BELOW.**

All Screws Included with this Kit are Self-Auguring.

- A. Tube of Vinyl Weld Glue
- B. 1" Self-Auguring Stainless Steel Screws (32) *(to Secure Gate Hinges)*
- C. 1 3/8" Self-Auguring Stainless Steel Screws (16) *(to Secure Beams to the Posts)*
- D. 1 3/8" Self-Auguring Stainless Steel Screws (18) *(to Secure Wall U-Channels to the Posts)*
- E. 3/4" Self-Auguring Stainless Steel Screws (72) *(to Secure Wall Brackets)*
- F. 1 3/8" Self-Auguring Stainless Steel Screws (16) *(to Secure Gate Corner Brackets)*
- G. 1 3/8" Self-Auguring Stainless Steel Screws (18) *(to Secure Shade Slats to Beams)*
- H. 1 3/8" Self-Auguring Stainless Steel Screws (12) *(to Secure Privacy Strips to Posts)*
- I. 1 3/8" Self-Auguring Stainless Steel Screws (4) *(to Secure Gate Brace to Gate)*
- J. Gate Hinges (2)
- K. Latch (with hardware) (1)



## Extra Materials You will Need

*(Not Included - Sold separately from [www.zippity-outdoor.com](http://www.zippity-outdoor.com) or retailer of our products)*

### If Mounting Shower on Wood Deck or Concrete Surface

- L. Zippity Galvanized Steel Surface Mount *(Sold as 2 Packs) (purchase from [www.zippity-outdoor.com](http://www.zippity-outdoor.com) or a retailer of our products)*

**See Surface Mount Instructions For More Details**

- M. 1/4" x 4" Hex Head Bolts (16)
- 1/4" Lock Washers (16)
- 1/4" Plain Washers (16)
- 1/4" Hex Nuts (16)
- 2x6 Wood Support

OR

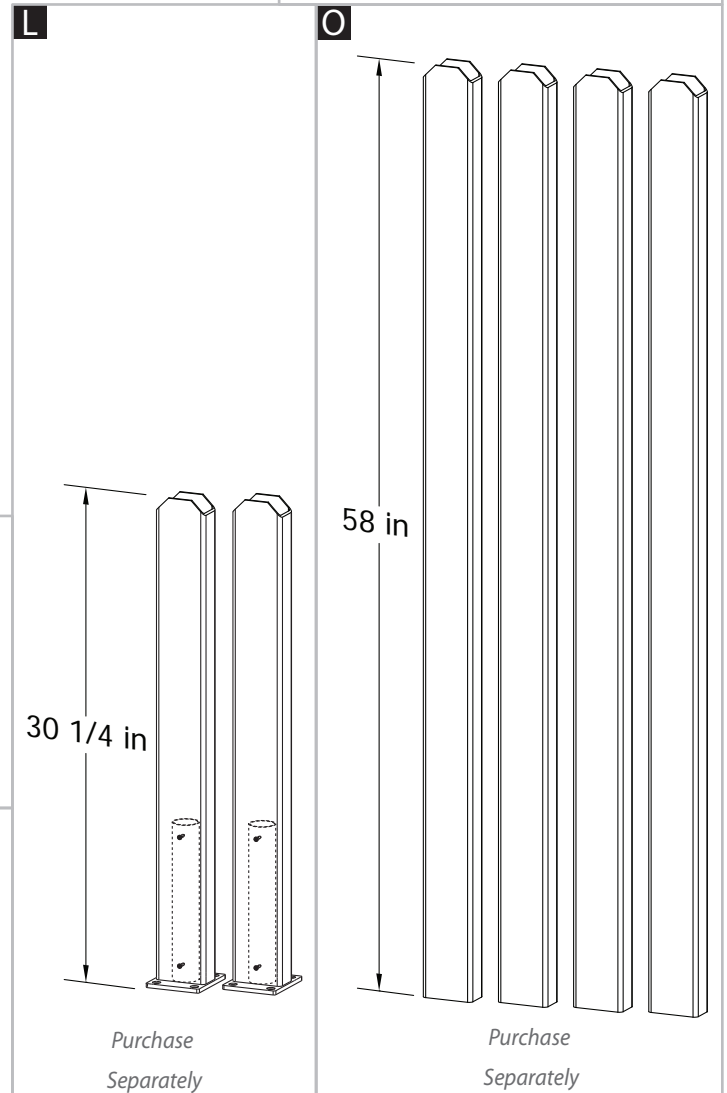
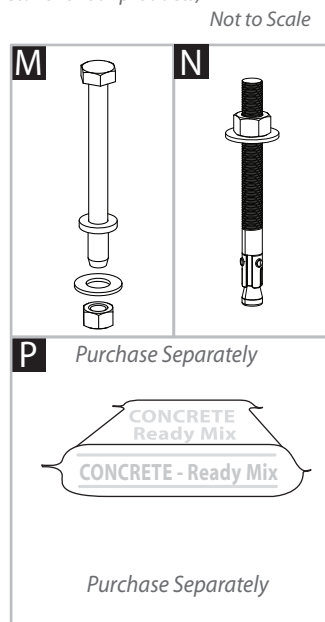
- N. 1/4" x 3" Sleeve / Wedge Anchors (16) for installation on Concrete

### If Mounting Shower in Ground

- O. Zippity Post Extension for In-Ground Installation *(Sold a 4 Packs)*

*(purchase from [www.zippity-outdoor.com](http://www.zippity-outdoor.com) or a retailer of our products)*

- P. Concrete Ready Mix (8)
- (purchase at local building center)*

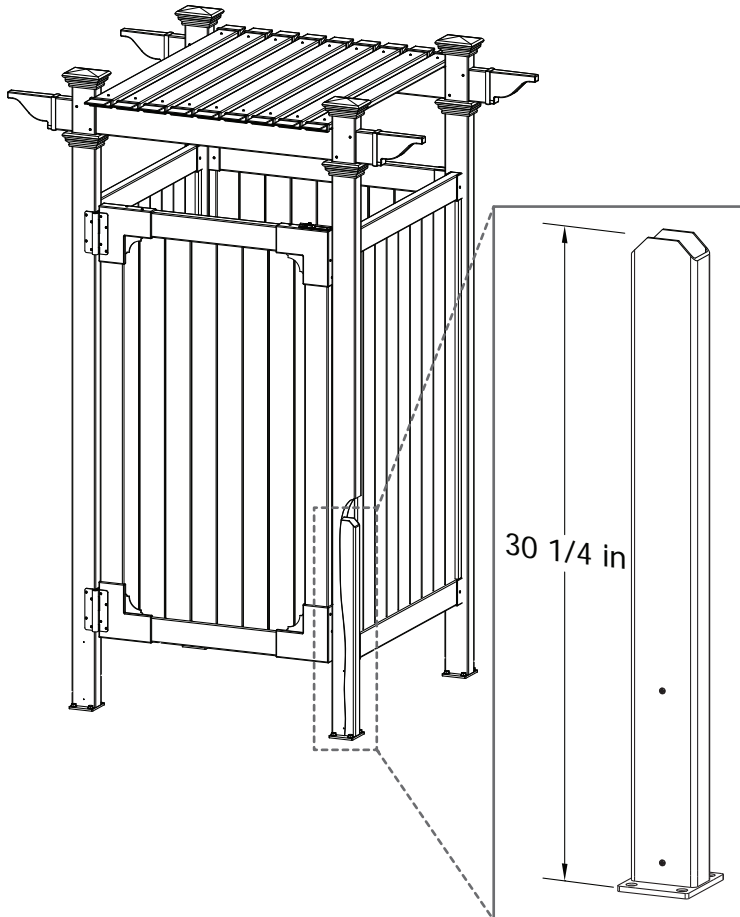


## Tools You Will Need

- Level
- Rubber Mallet / Hammer
- Tape Measure
- Step Ladders (2)
- Cordless Drill
- 1/2" Wood Drill Bit
- Circular Saw with Fine Tooth Blade
- Framing Level
- Framing Square

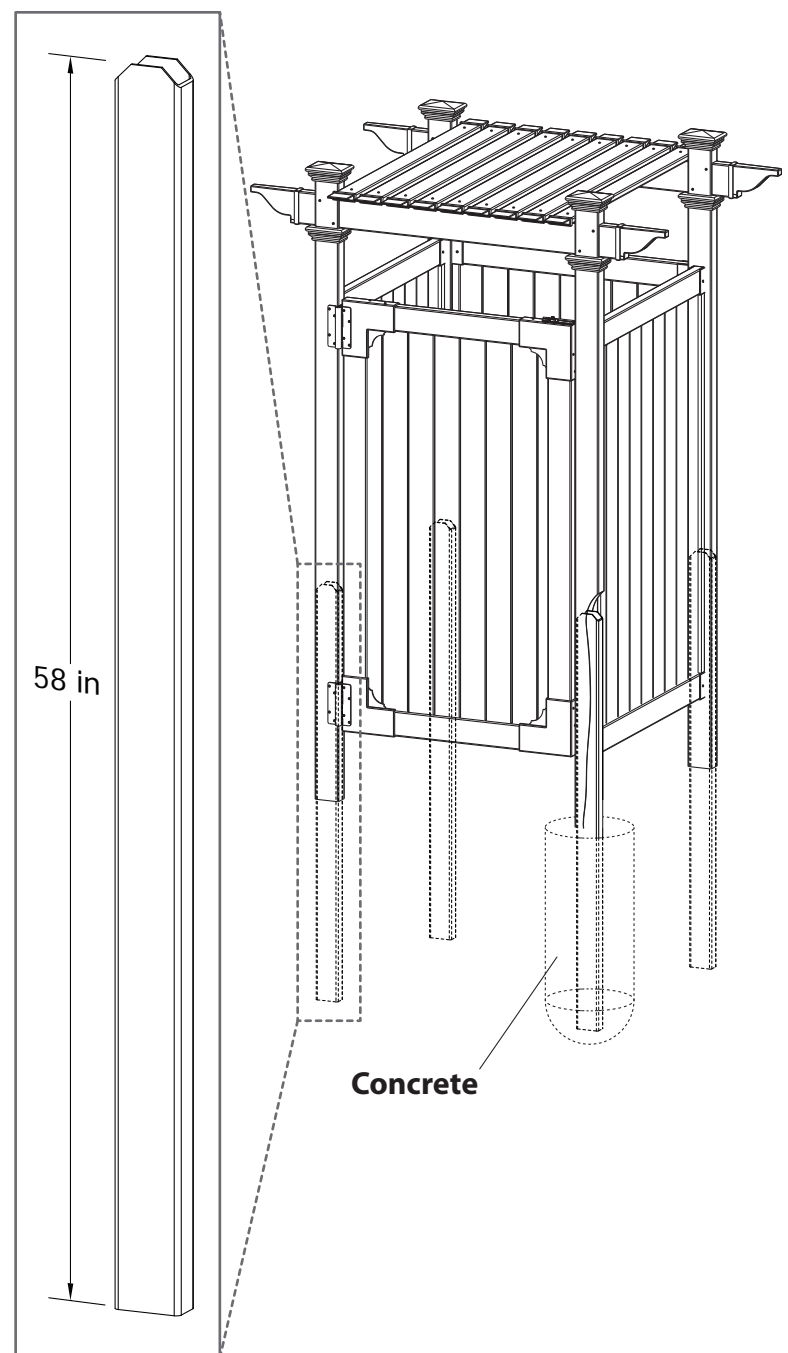
## Mounting on Wood Deck or Concrete Surface?

This shower can be installed on a pre-existing wood or concrete surface using our Zippity Galvanized Steel Surface Mount (sold separately as 2 Packs).



## Mounting into the Ground with Concrete Footing?

This shower can also be installed into the ground using our Zippity Post Extension for In-Ground Installation (sold separately as 4 Packs)



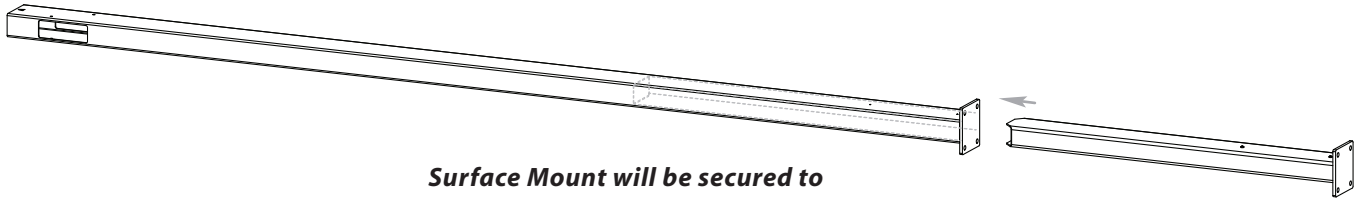
## STEP ONE

### Installation with Surface Mount

1

Insert Surface Mount as illustrated into the bottom of all four posts.

1



*Surface Mount will be secured to the post in the next step.*



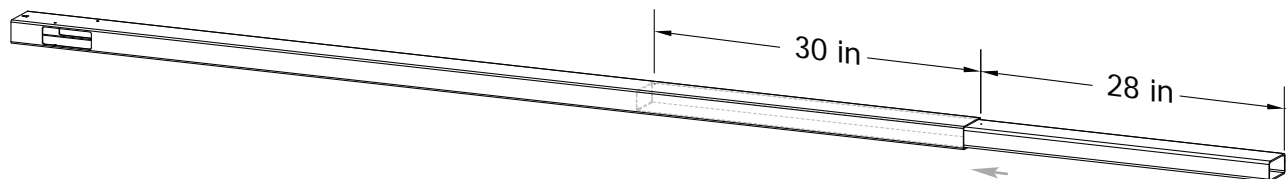
## STEP ONE

### Installation with Post Extension

1

Insert Post Extension illustrated into the bottom of all four posts.

1



*Post Extension will be secured to the post in the next step.*

***Note: The remainder of this instruction will be illustrated using the Surface Mount. Installation with Post Extension will be very similar.***

## STEP TWO

### Install Brackets and U-Channels to Post

**1**

Layout Post A (marked at top of post) on a horizontal surface and align brackets with pre-drilled holes on post. Orientate the brackets as illustrated and secure to the post with 4 screws.

**Ensure that surface mount is installed fully (or post extension is installed as per page 8) prior to securing brackets to post**

**2**

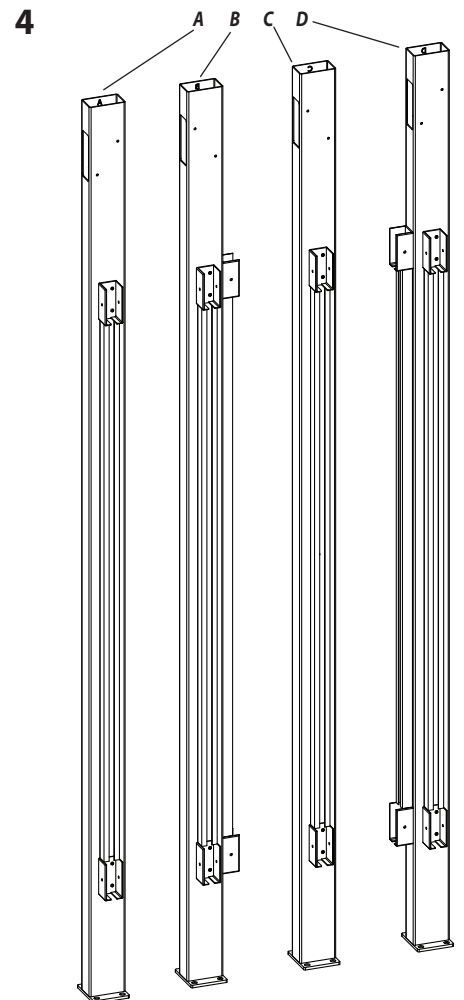
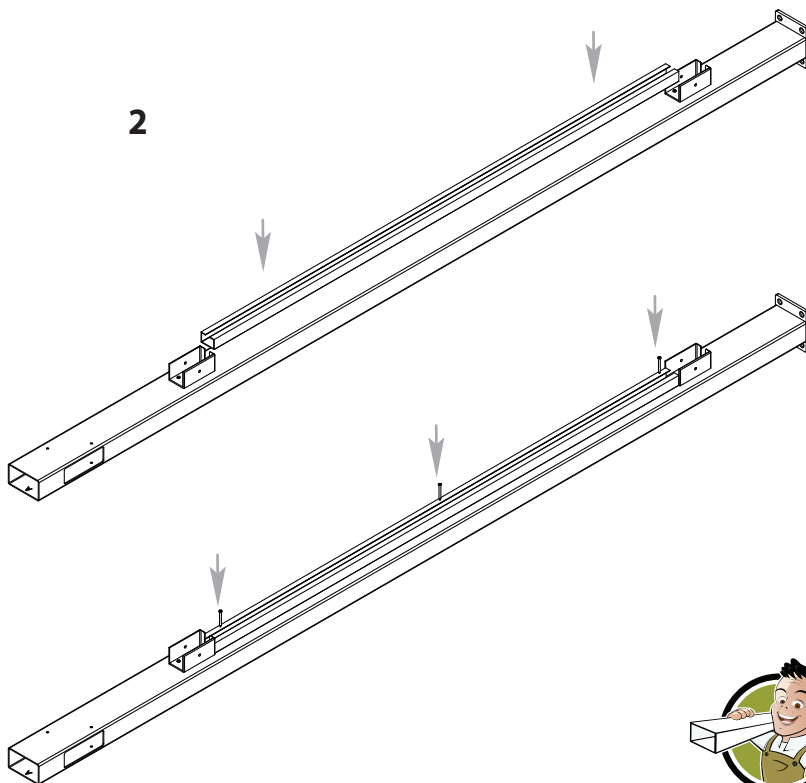
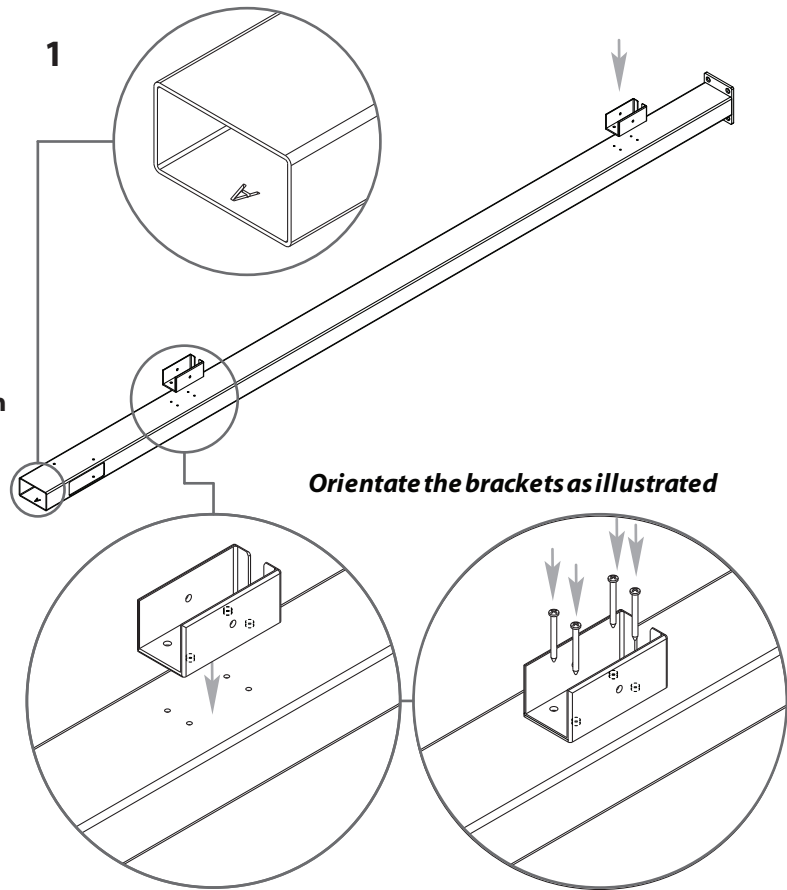
Secure the U-Channel to the post between the brackets as illustrated using 3 screws.

**3**

Repeat steps 1 and 2 for the three other posts.

**4**

Install two additional brackets and u-channels (for future installation of back wall) on posts B and D as illustrated.



## STEP THREE

### Assemble Two Side Panels 2 People Required (Back Wall is Installed Last)

1

Orientate Posts A and B as illustrated. See page 4 for overview reference.

2

Insert bottom rail as illustrated into brackets  
(groove in rail facing up)

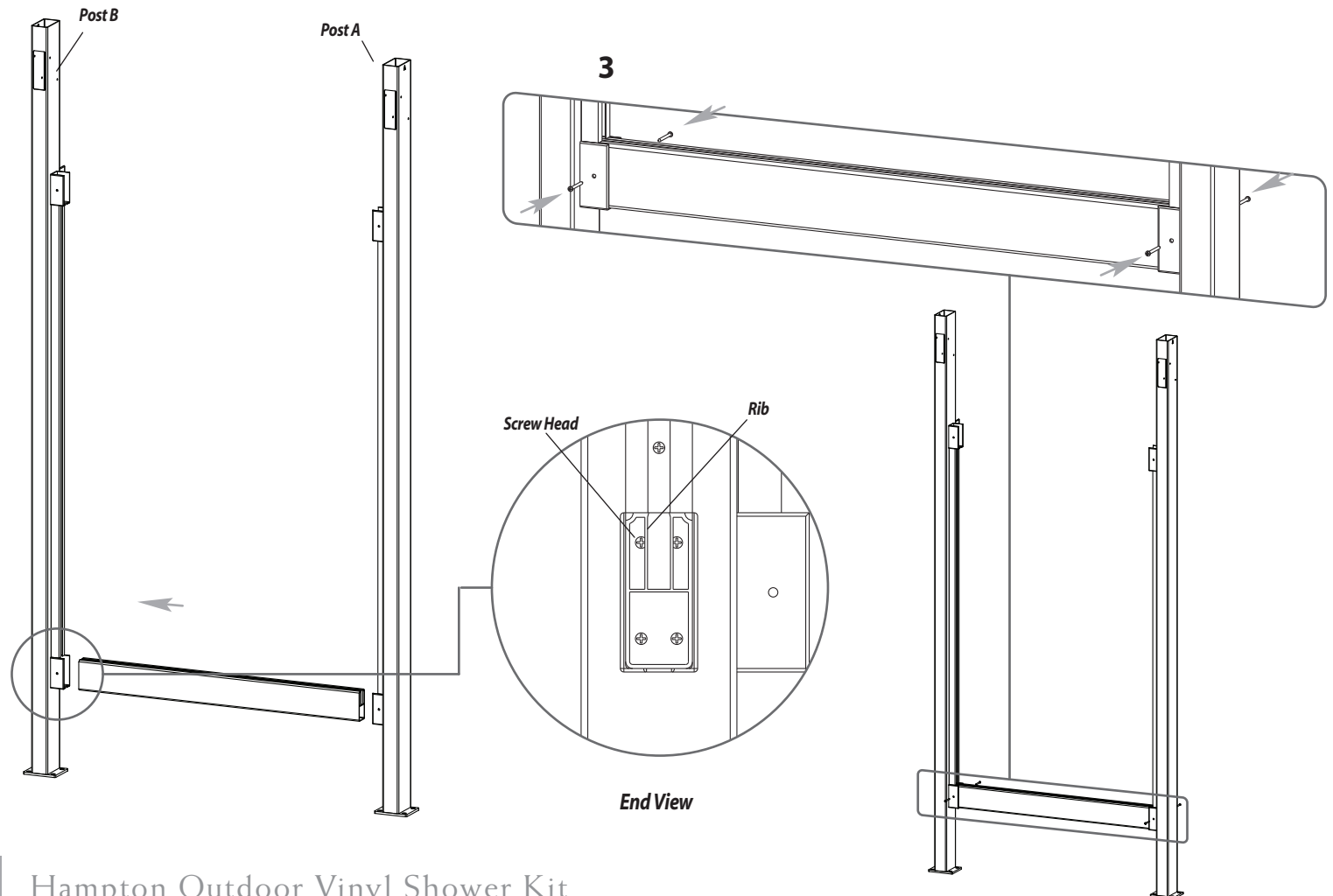
**Tip: Push the rail tight into the back of the bracket. The screw head may provide for a slight conflict, but with enough force it will "pop" inside the rail pocket.**

3

Secure the bottom rail into brackets with 2 screws in each  
bracket as illustrated.

**Tip: Please angle the screw either slightly down or up to avoid  
conflict with internal rail rib.**

2



## STEP THREE (Cont'd...)

4

Insert first privacy board into bottom rail as illustrated. Angling the board as illustrated will make it easier to get into the channel on post and bottom rail

5

Insert last privacy board as illustrated, in similar fashion as the first privacy board.

6

Slide the middle privacy board in vertically from the top as illustrated.

7

Walk the top rail down over the boards as illustrated starting with the first board

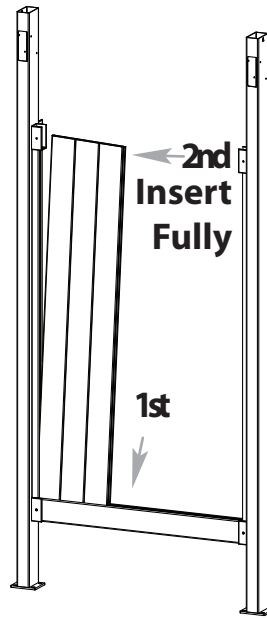
8

Secure the top rail to the top brackets with 2 screws in each as illustrated.

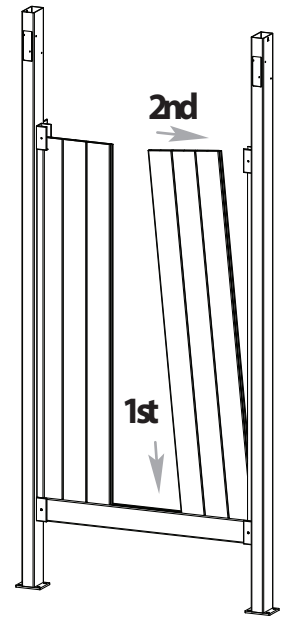
9

Repeat steps to assemble the other wall panel.

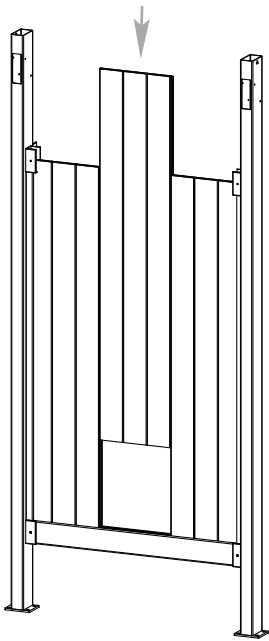
4



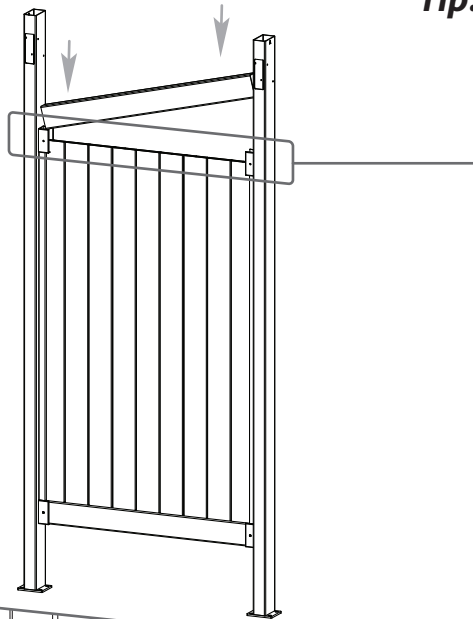
5



6

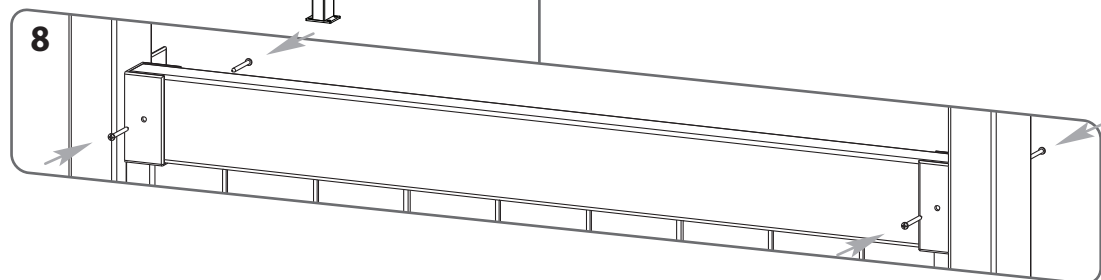


7



**Tip: If necessary, Use liquid soap to allow tighter fitting materials to slip together easier.**

8



## STEP FOUR

### ***Install Back Wall (2 People will be required)***

**1**

Install bottom rail into brackets with groove facing up.

**2**

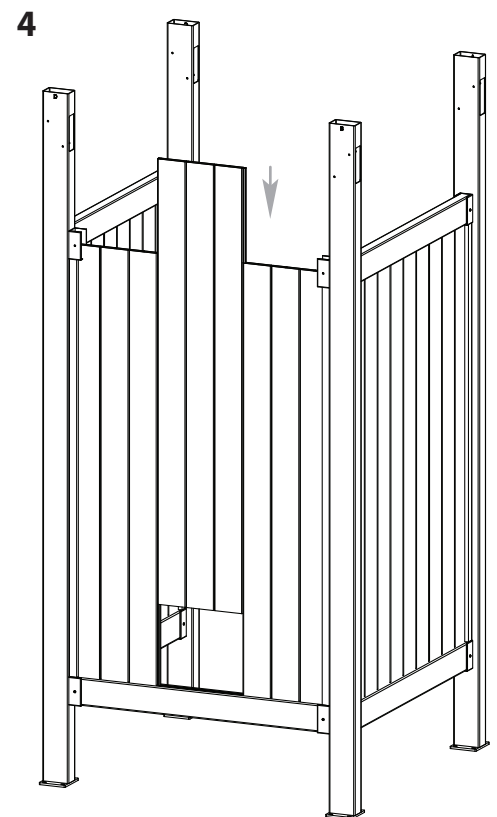
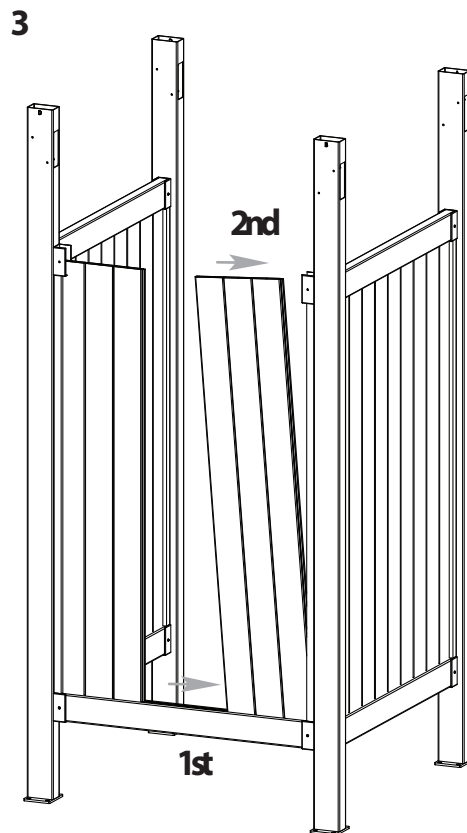
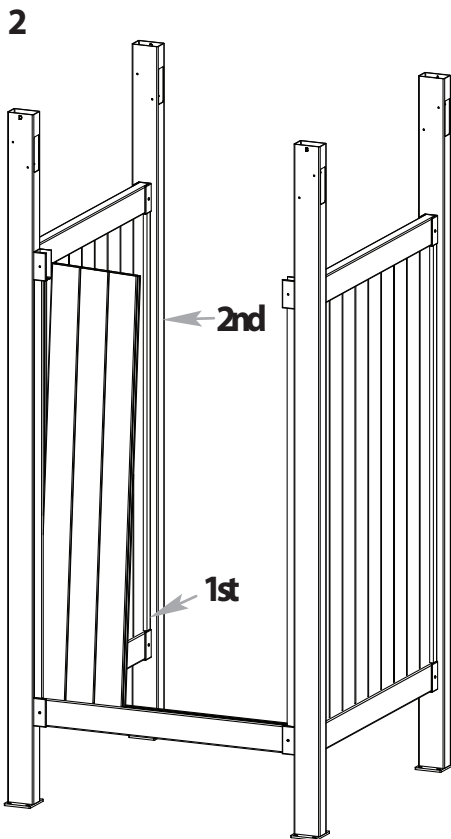
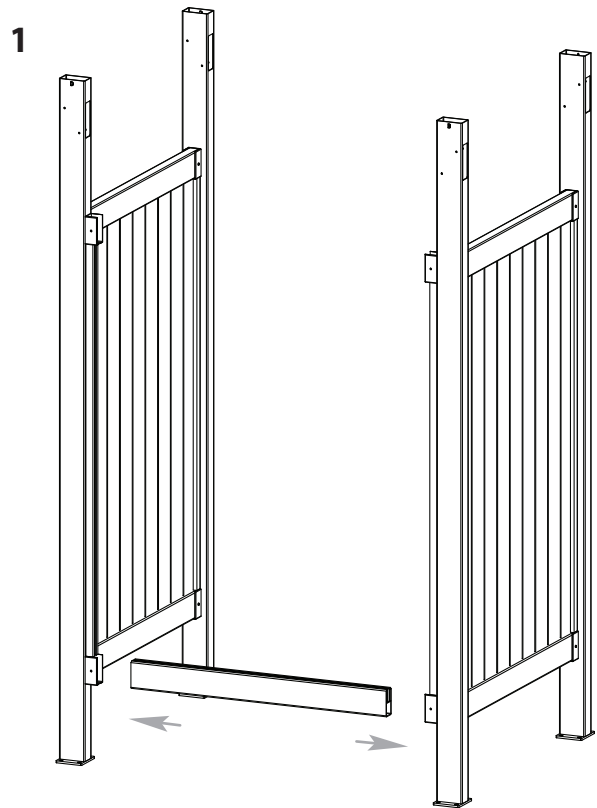
Insert first privacy board into bottom rail as illustrated. Angling the board as illustrated will make it easier to get into the channel on post and bottom rail

**3**

Insert End privacy board in a similar fashion as the first privacy board.

**4**

Slide the middle privacy board in vertically from the top down into place as illustrated.



**ZIPPITY**  
DO-IT-YOURSELF  
FRIENDLY PRODUCTS

## STEP FOUR

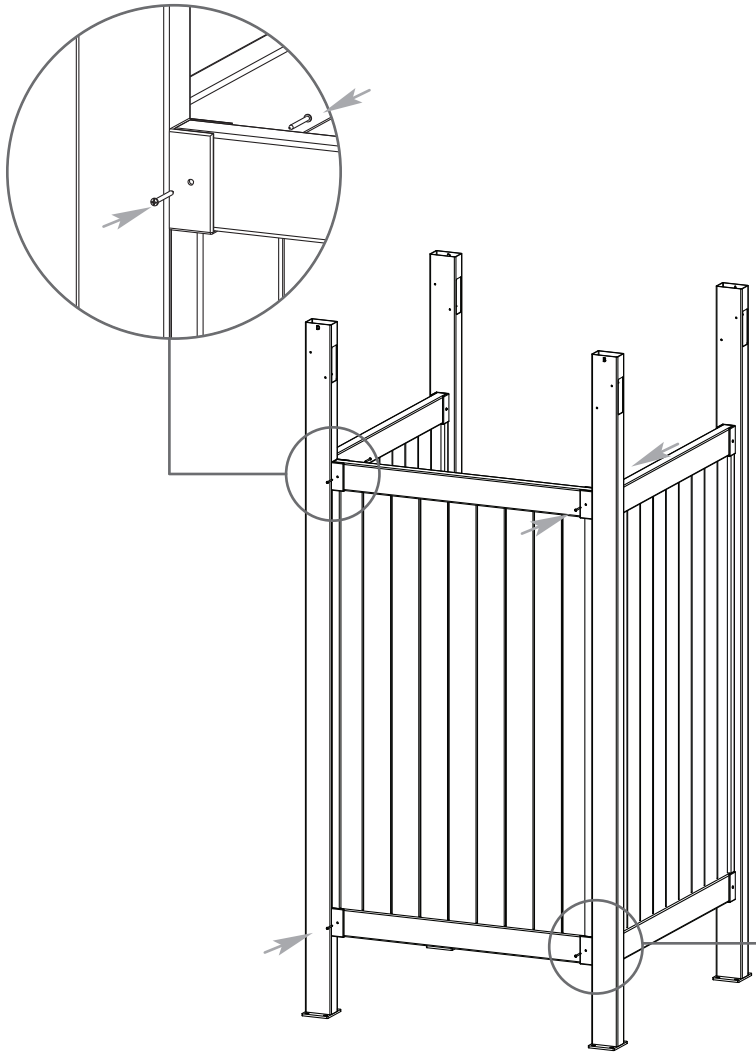
5

Install the top rail over the boards as illustrated.

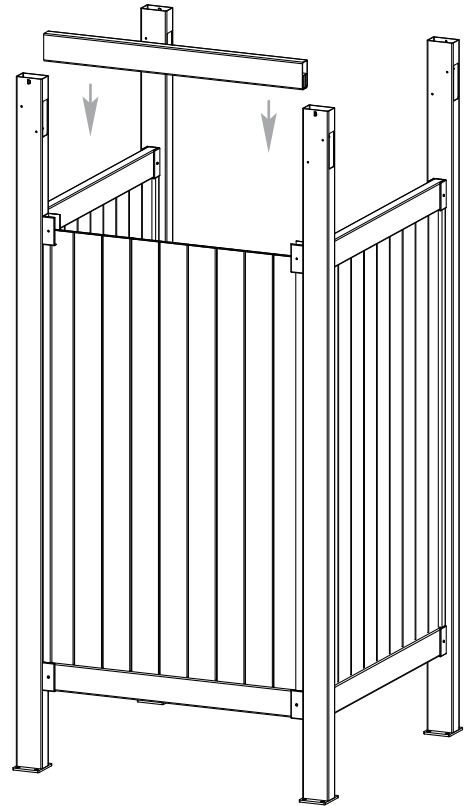
6

Secure both top and bottom rails to all brackets.

6



5



**ZIPPITY**  
DO-IT-YOURSELF  
FRIENDLY PRODUCTS

## STEP FIVE

**1**

Slide Post Trims into Place.

### ***Insert Beams (2 People will be required)***

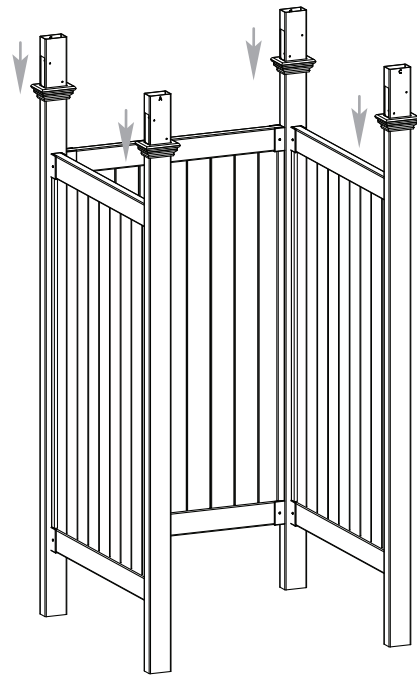
**2**

Slide one of the beams thru the routed holes in the front two posts.  
Orientate as illustrated.

**3**

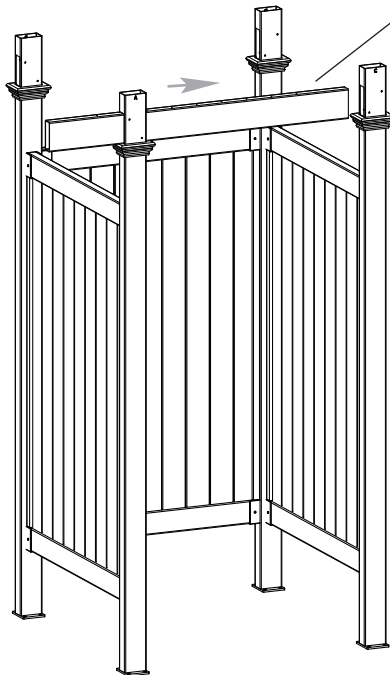
Slide the second beam thru the routed holes in the back posts.  
Orientate as illustrated.

**1**

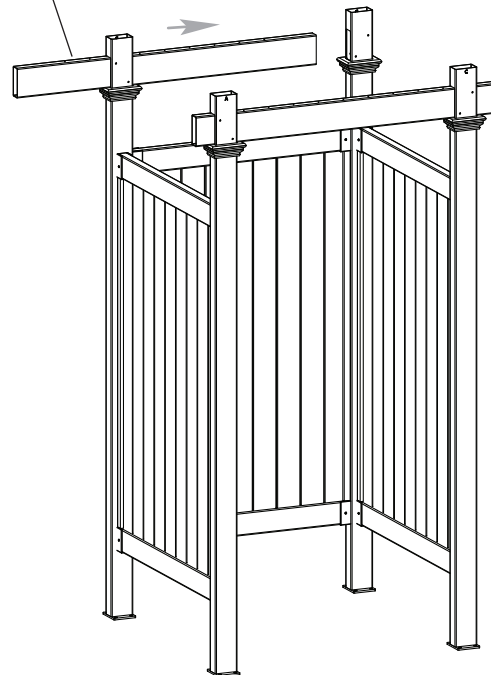


**Note: Holes on the top of beam  
to be facing up.**

**2**



**3**



**ZIPPITY**  
DO-IT-YOURSELF  
FRIENDLY PRODUCTS

## STEP SIX

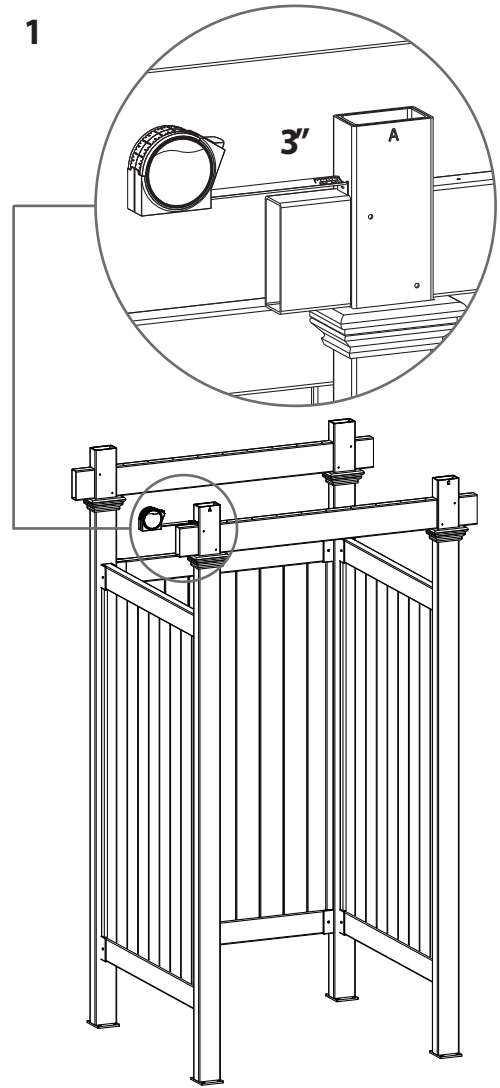
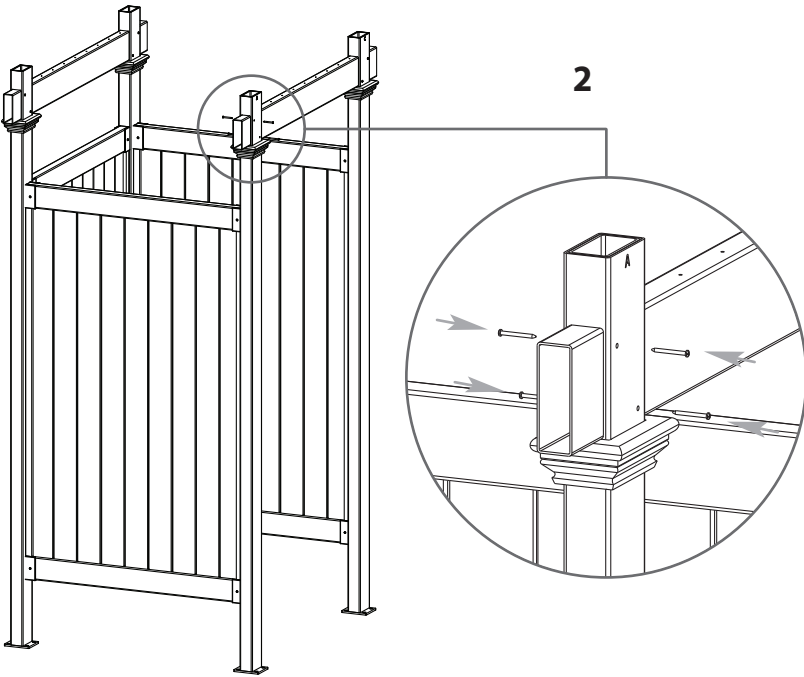
### Final Adjust and Secure Beam to Post

1

Beams should extend 3 inches beyond post.

2

Secure the beams to the posts by installing 2 screws on front and back of each posts.



## STEP SEVEN

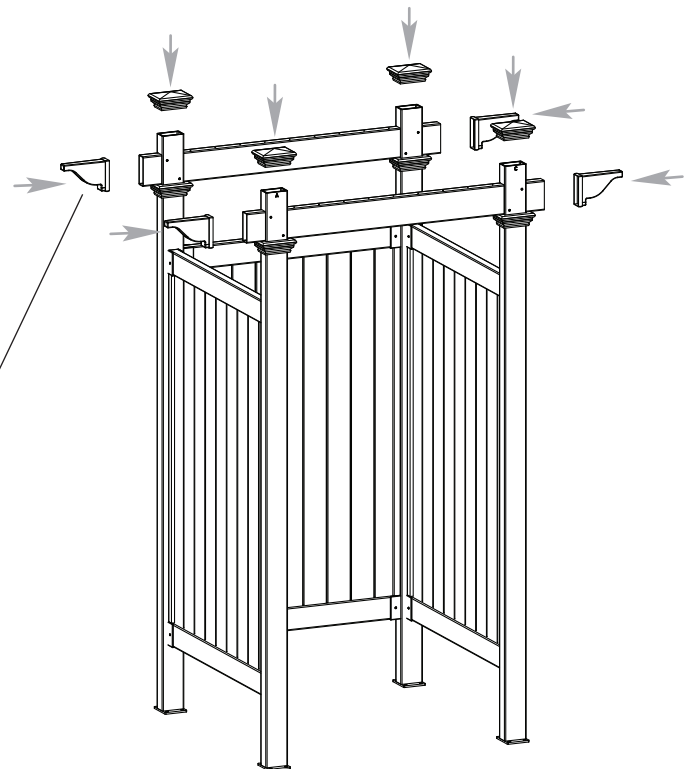
### Install Post and End Caps

1

Pressure fit the post caps onto the post as shown.

2

Apply a small amount of vinyl glue to the inside of the end caps and attach to the end of the beams as shown.



**ZIPPITY**  
DO-IT-YOURSELF  
FRIENDLY PRODUCTS

## STEP EIGHT

### Square and Secure Post using Surface Mounts

**1**

Visually square the unit into the space where you intend to permanently install

**2**

Measure and mark out the location of the posts. Diagonal distances must be the same to ensure square installation.

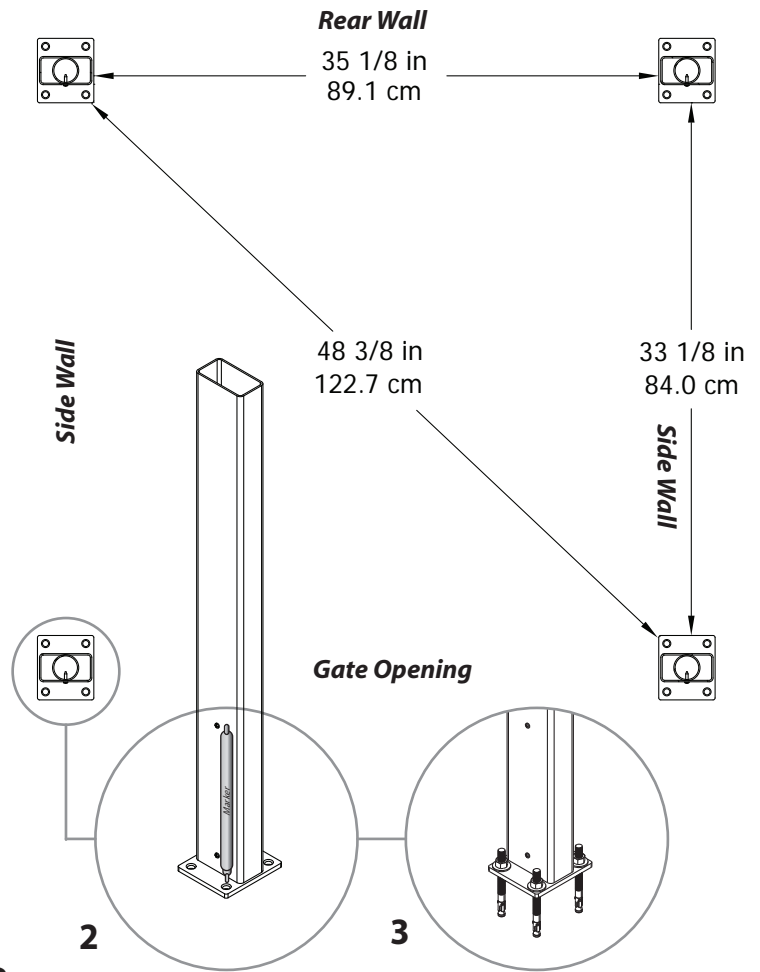
**3**

Use 1/4" x 2 1/4" wedge or concrete anchors (not included) to secure to concrete or similar sized lag screw with washer for mounting to wood.

**Please Note:**

Concrete patios generally have sloped surface for water run-off.

If this is the case, when you secure the surface mount to the concrete, the bracket may be at an angle. This can be corrected for level using galvanized steel washers (not provided), acting as shims underneath the base to level - **VERY IMPORTANT OR SHOWER BEAMS WILL NOT BE LEVEL.**



OR

### Square and Secure Post into the Ground using Post Extension & Concrete Footing

**1**

Visually square the unit into the space where you intend to permanently install

**2**

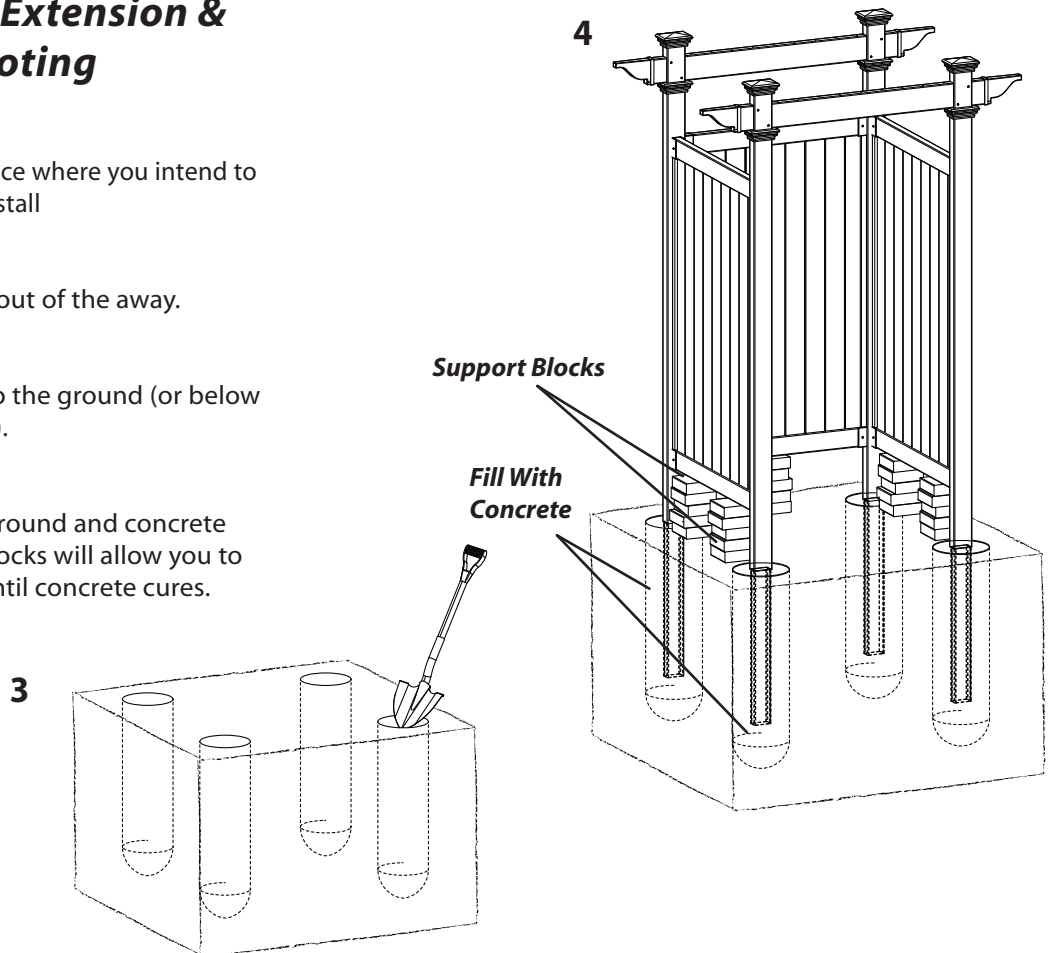
Temporarily move the unit out of the way.

**3**

Dig 9" diameter holes, 36" deep into the ground (or below the frost line).

**4**

Lower the entire unit into the ground and concrete in place as illustrated. Support blocks will allow you to level and support the posts until concrete cures.



## STEP NINE

### Install Gate Privacy Strips

**1**

Place one of the privacy strips against the inside post of the gate opening as shown.

Center the height between the side wall horizontals.

**2**

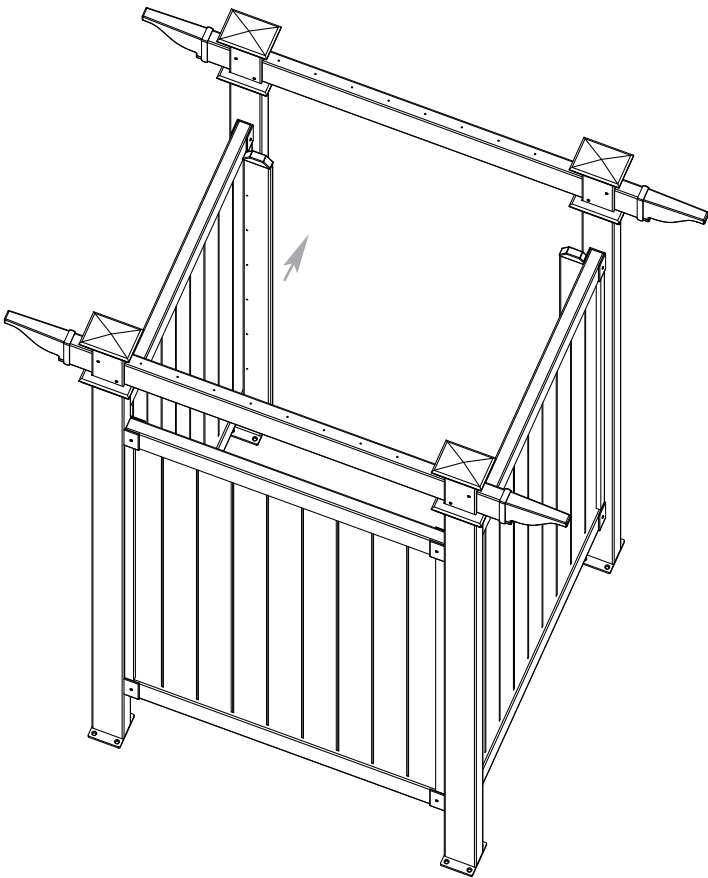
Fasten the privacy strip in place using 6 screws thru the pre-drilled holes.

**3**

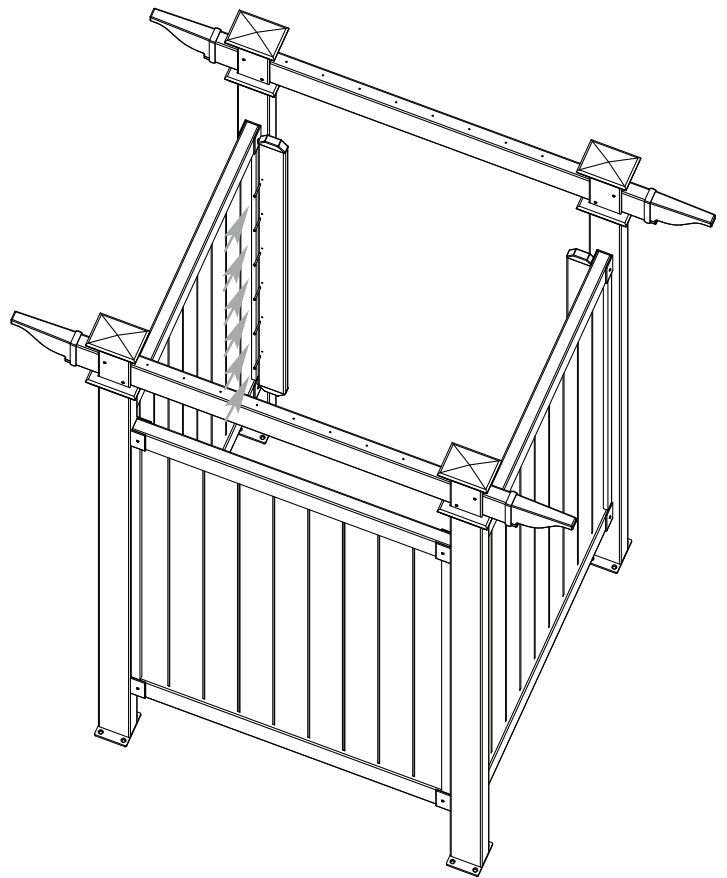
Repeat for the opposite side.



**1**



**2**



## STEP TEN

### Gate Assembly

**1**

Orientate the bottom rail as illustrated (groove side up) and insert into the bracket all the way until it bottoms out inside the bracket

**2**

Insert the opposite side of the bottom rail into a bracket all the way until it bottoms out as illustrated

**3**

Assemble the top rail with brackets in the same way as bottom rail with brackets

**4**

Insert Vertical Rails fully into bracket as shown..

**5**

Insert first full privacy board vertically into the vertical rail as illustrated



# ZIPPITY

DO-IT-YOURSELF  
FRIENDLY PRODUCTS

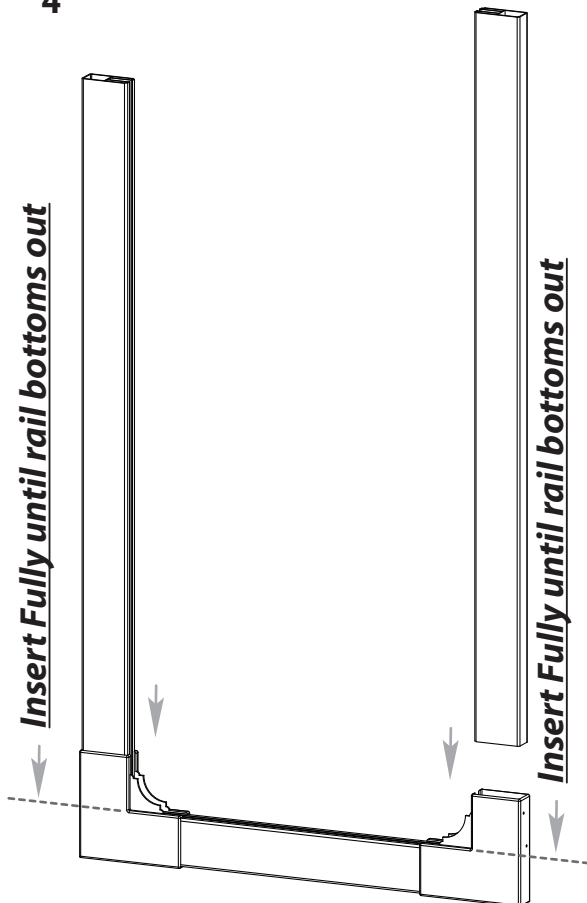
**1**



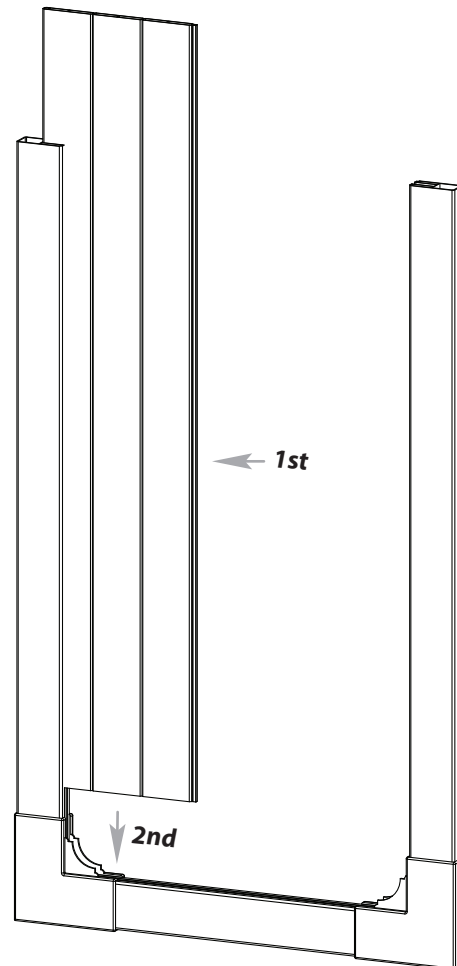
**2**



**4**



**5**



# STEP TEN

## Gate Assembly (Continued)

6

Insert trimmed vertical panel to fit into frame as illustrated.

7

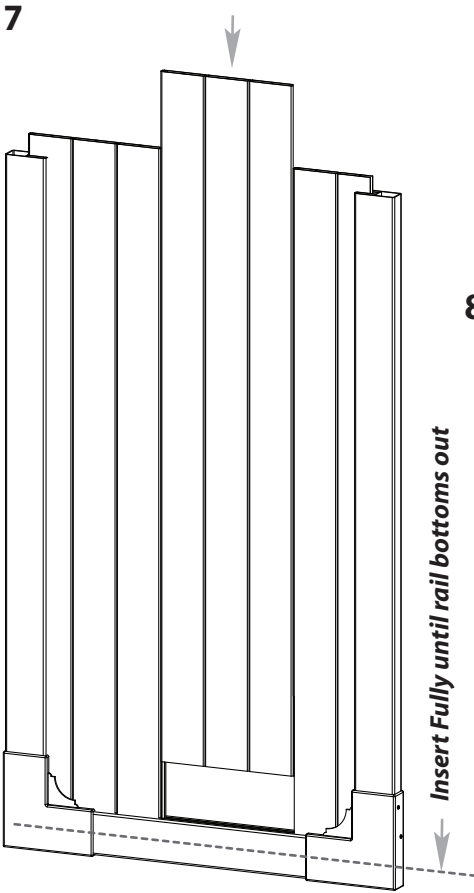
Insert middle vertical panel between the two panels as illustrated.

8

Install top rail and brackets down over boards and vertical rails as illustrated as illustrated

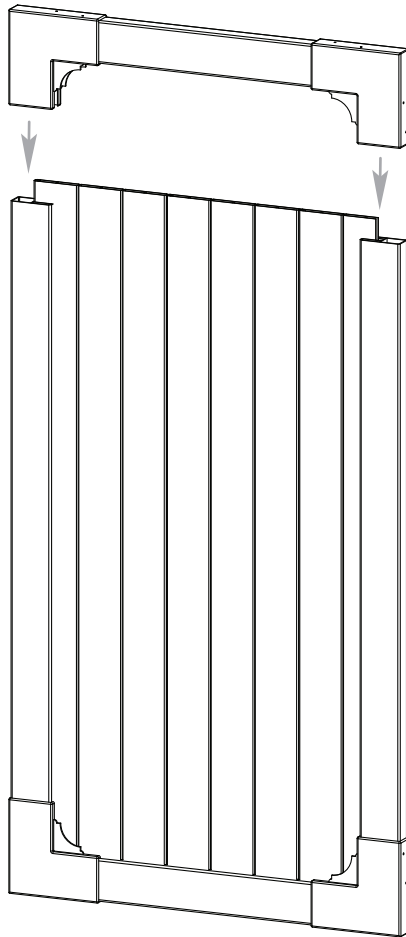
9

Secure brackets to verticals and horizontals with screws as illustrated

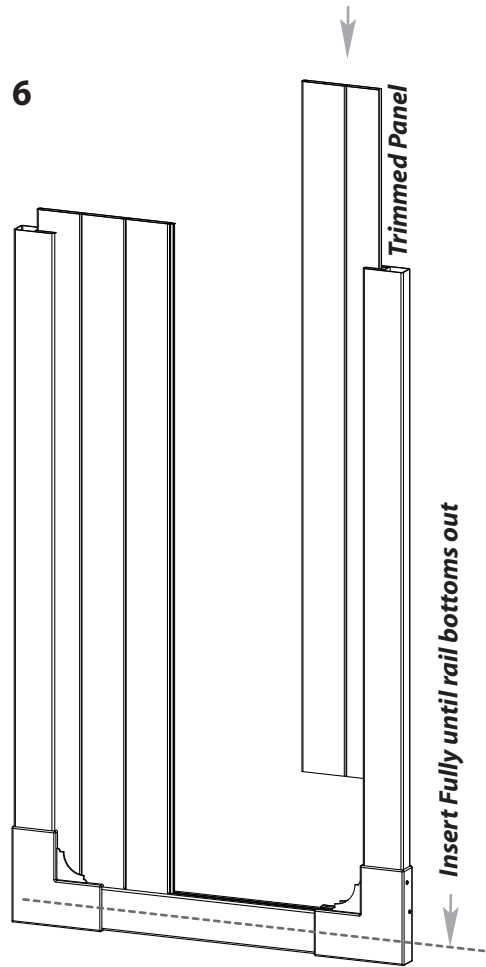


8

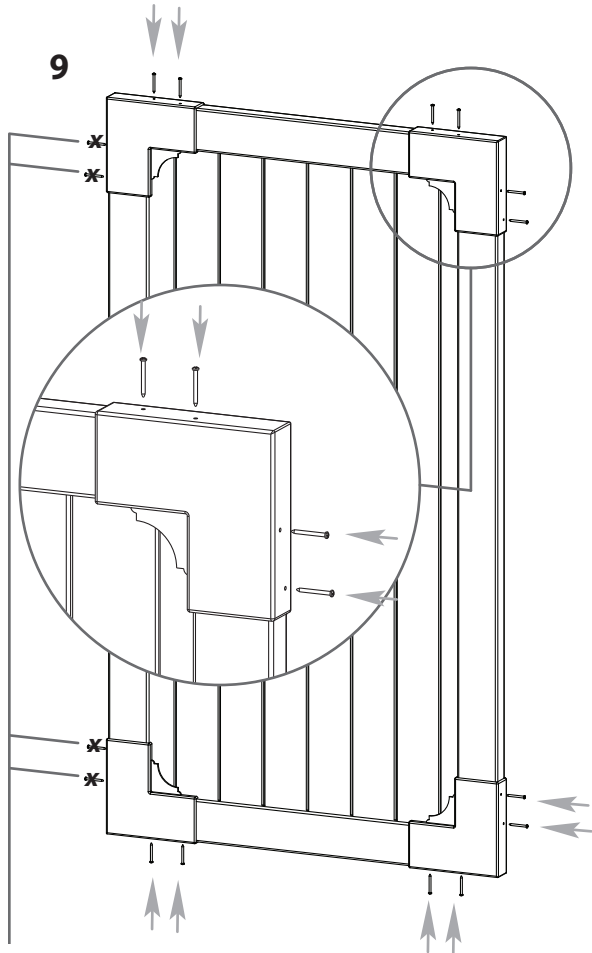
Insert Fully until rail bottoms out



6



9



Leave screws off for future installation of gate hinge.

## STEP TEN

### Gate Assembly (Continued)

9

Assemble gate brace by sliding the larger tube over the smaller tube. Align holes and secure with fasteners

10

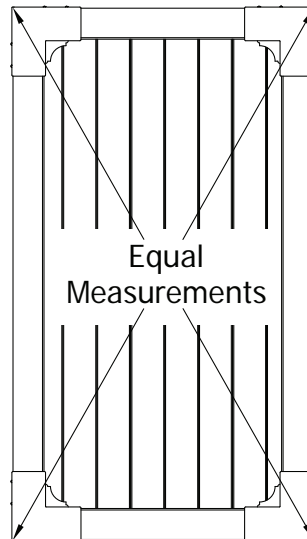
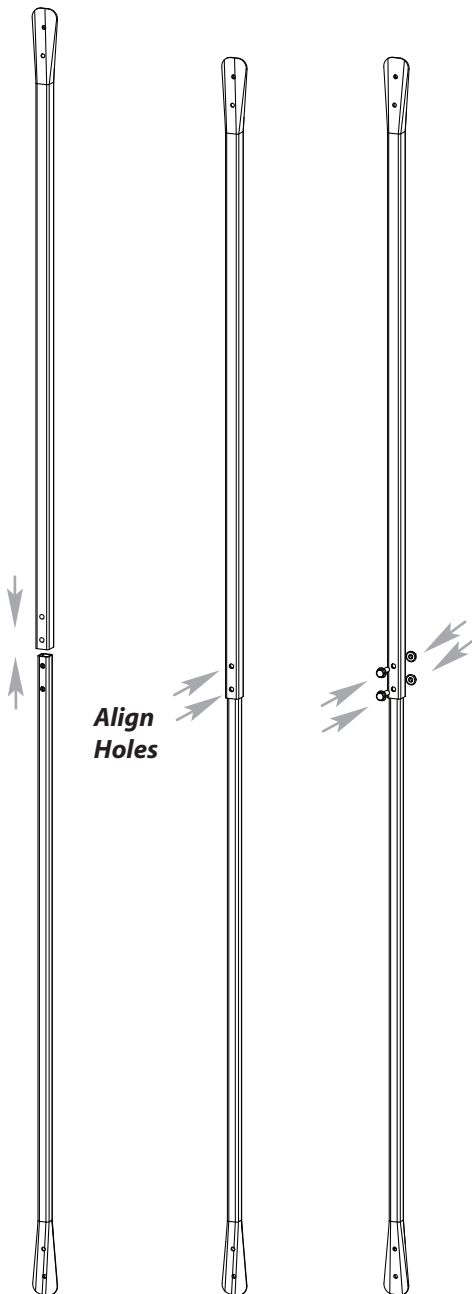
Ensure the gate is square as illustrated.

**Tip:** Measure corner to corner of gate and ensure measurements are the same.

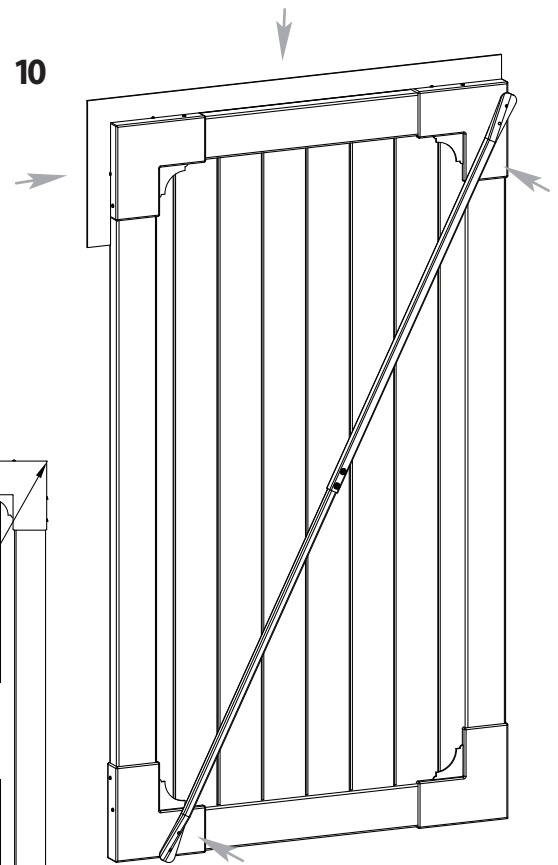
11

Screw bracing into place on the gate as illustrated.

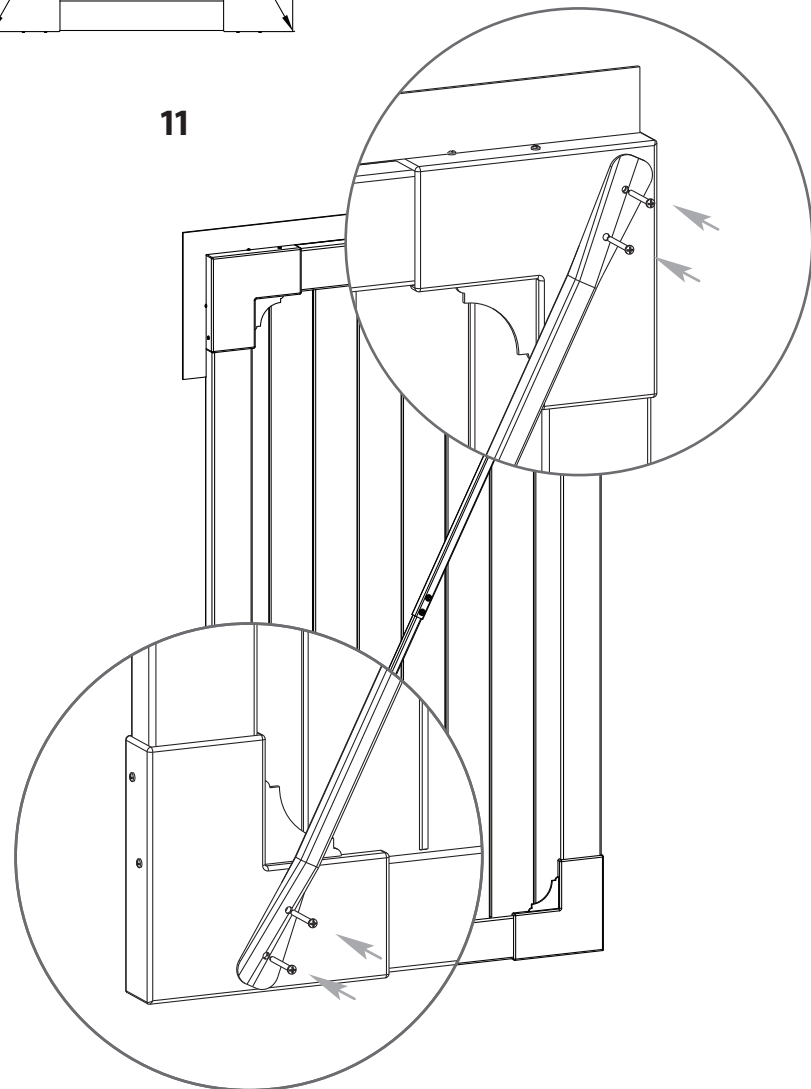
9



10



11



## STEP TEN

### Gate Assembly (Continued)

12

Secure hinges to gate as illustrated

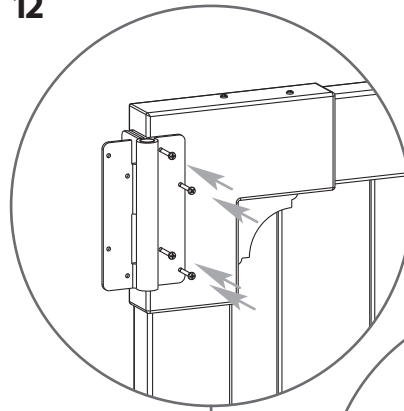
13

Secure latch to top of gate as illustrated

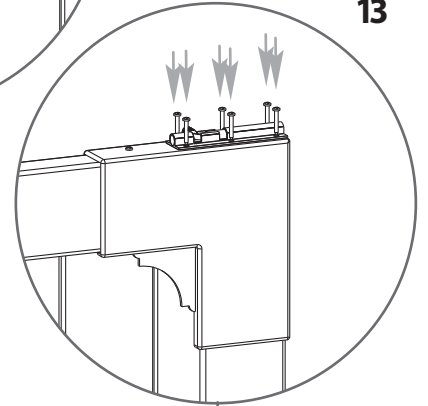
14

Use temporary spacers or blocks as illustrated to support gate during installation of hinges to post

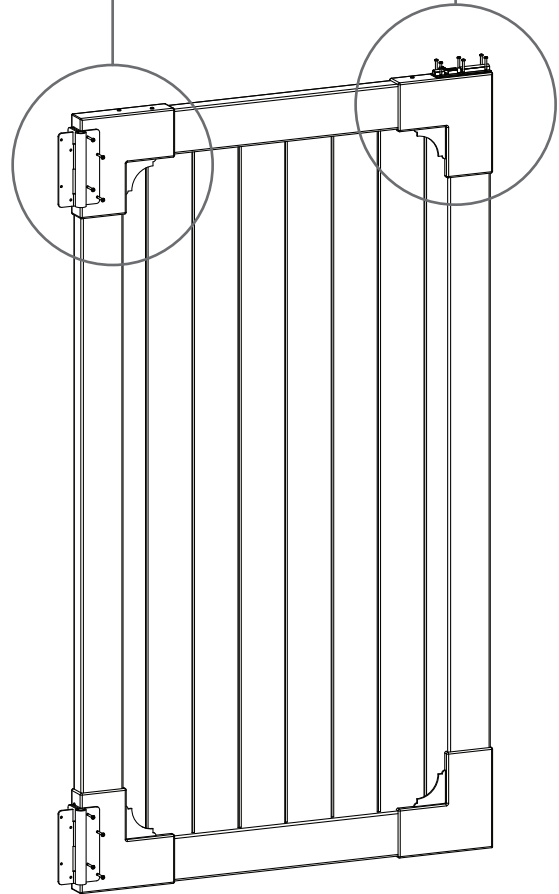
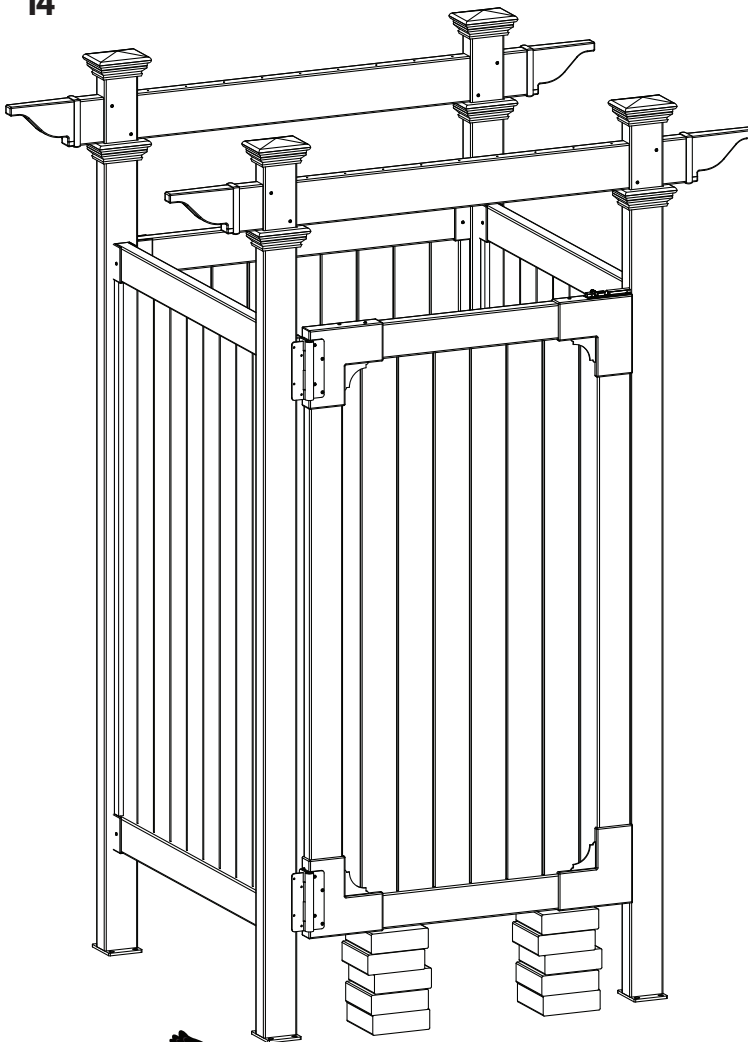
12



13



14



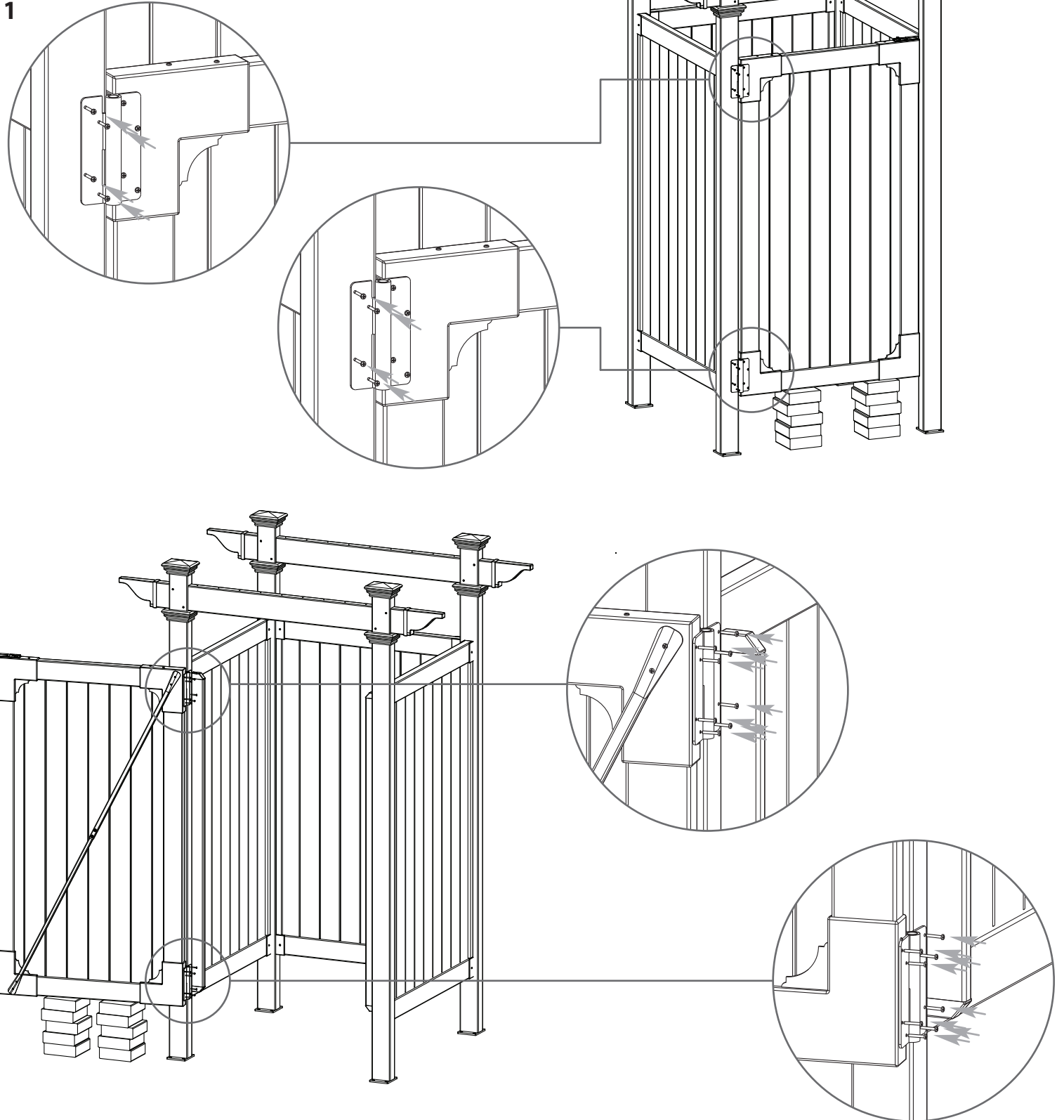
**ZIPPITY**  
DO-IT-YOURSELF  
FRIENDLY PRODUCTS

# STEP ELEVEN

## Attach Gate to the Unit

1

Secure hinges to post as illustrated

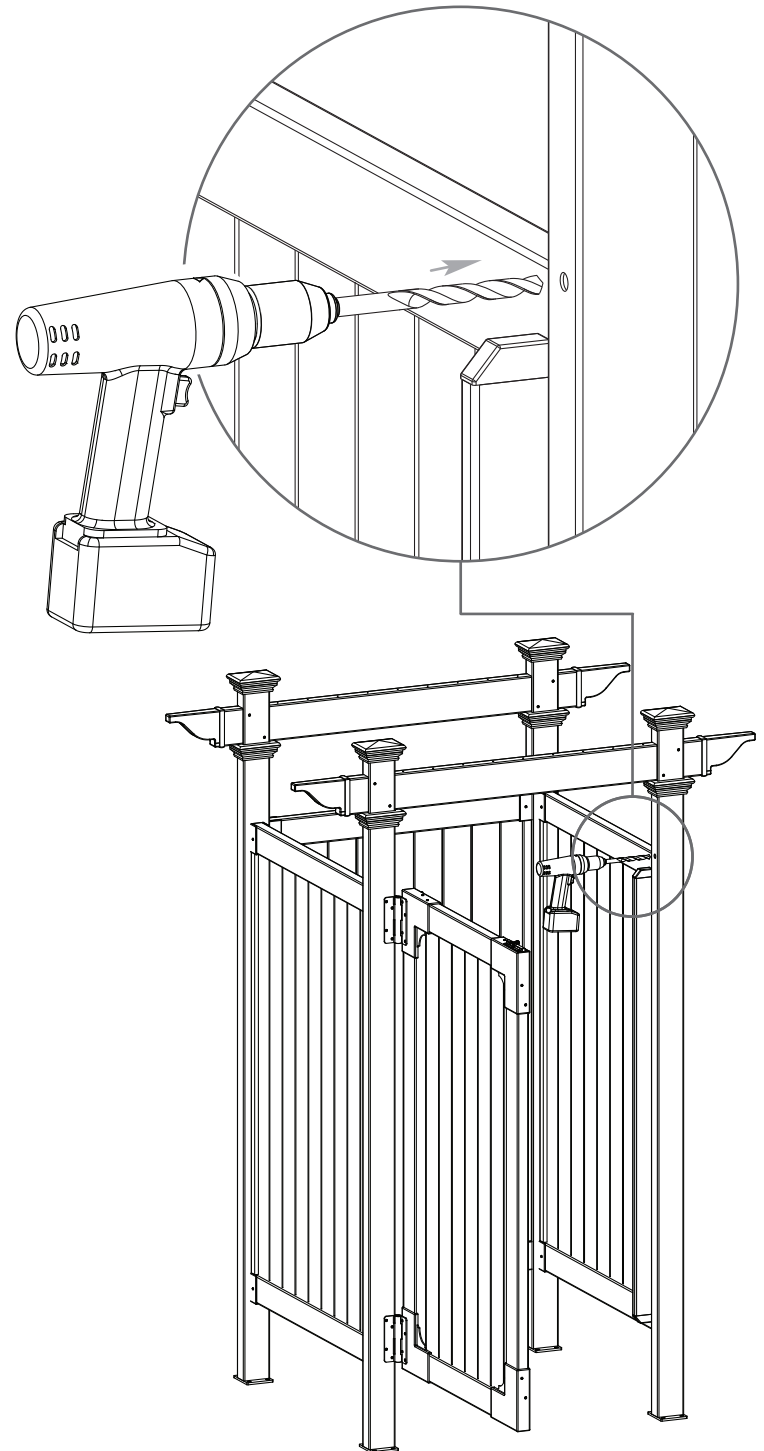
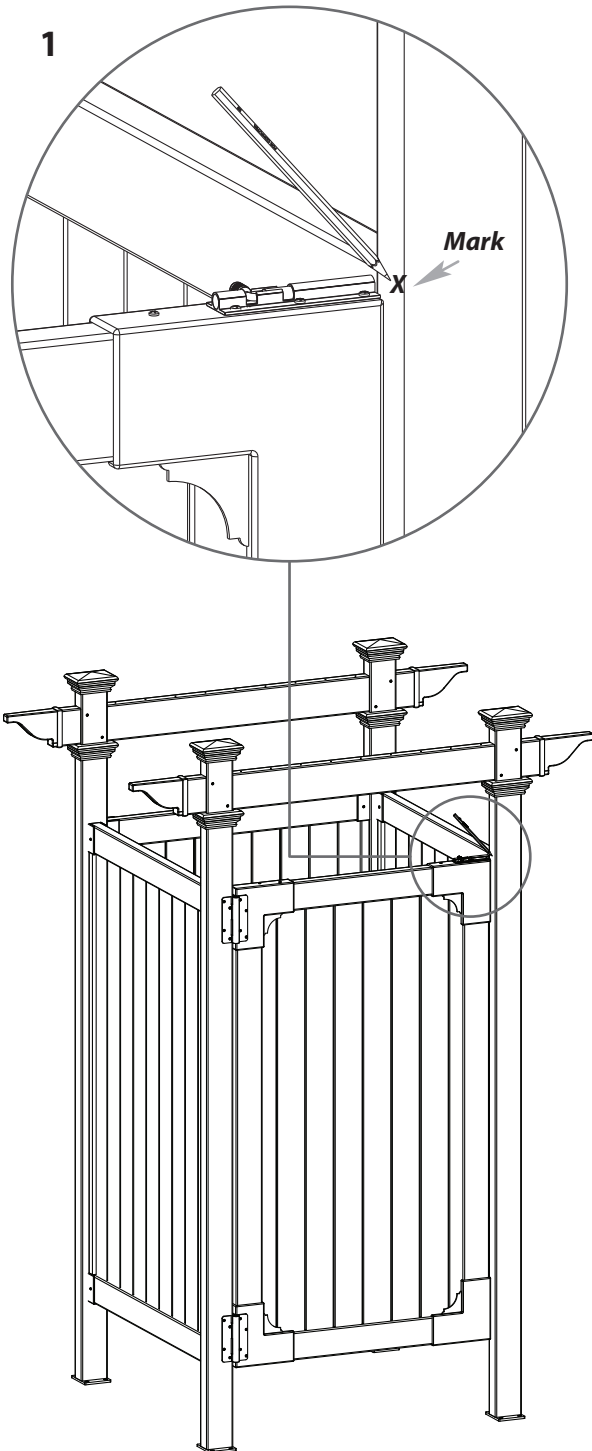


## STEP TWELVE

### Drill Latch Hole

1

Slide out the latch bolt, and identify the location to drill a single 5/16" receiving hole as illustrated.



## STEP TWELVE

### Install Shade Slats

**1**

Orientate the shade slat as illustrated and fasten a screw thru the pre-drilled hole fully until it comes out the bottom of the shade slat.

**2**

Place the shade slat on the beams guiding the tip of the screws into respective positions in pre-drilled holes on beams as illustrated.

**3**

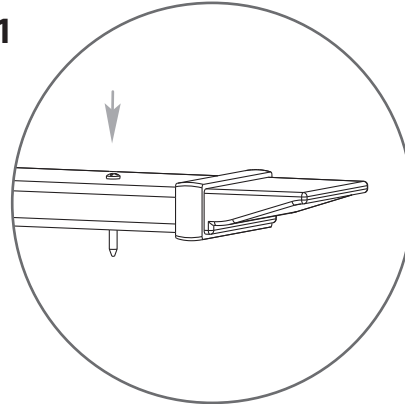
Secure the shade slats to the beam as illustrated.

**4**

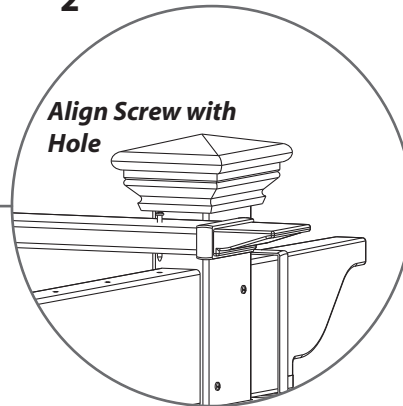
Secure the remaining shade slats in the same way.



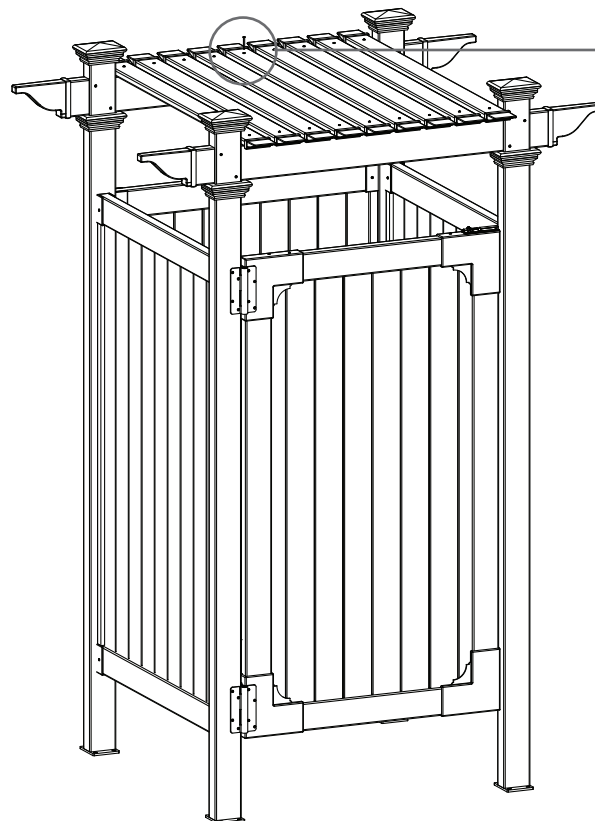
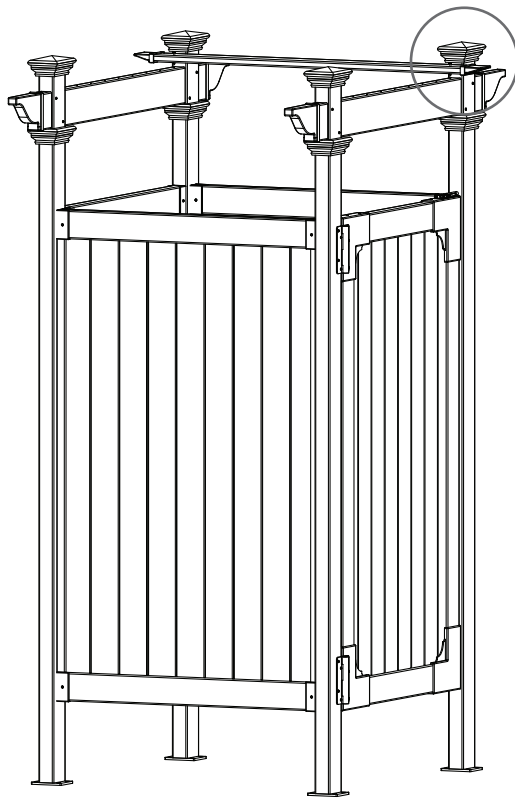
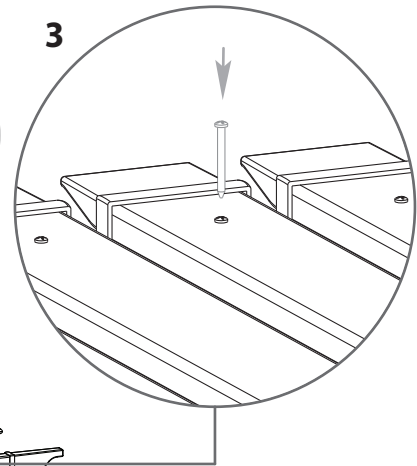
**1**



**2**



**3**



**Congratulations! You did it!**

