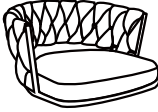

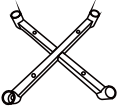
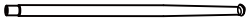

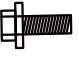
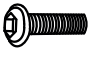
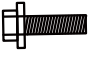



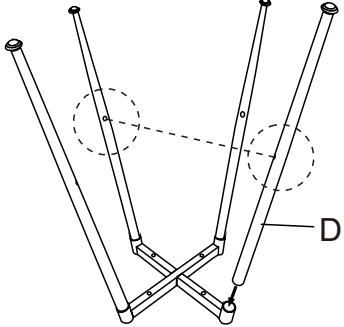
Please check that all fittings are available and in good condition before assembly.  
 If you have any questions, please contact us , we will solve your problem in the first time.

## PARTS LIST

Ax1 	Bx1 	Cx1 	Dx4 	Ex1 
Gx8  M6x20mm	Hx4  M6x30mm	Ix4  M8x25mm	Jx1 	

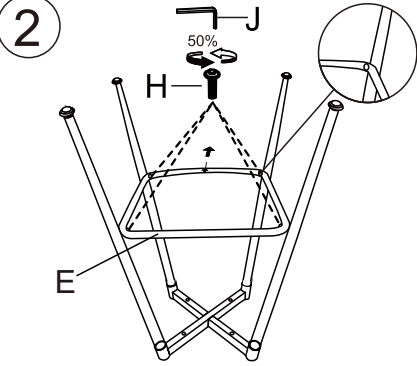
## ASSEMBLE INSTRUCTION

**1**



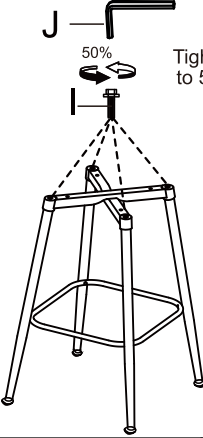
Make sure the screw holes on opposite legs are in one line.

**2**



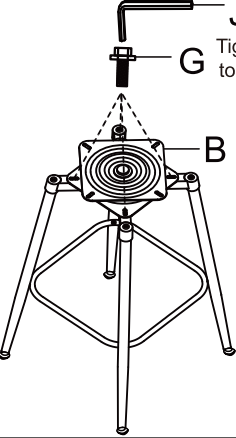
Tighten the screws to 50%.

**3**



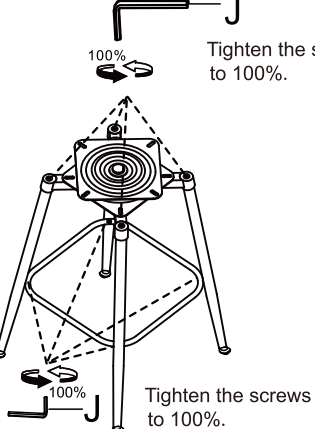
Tighten the screws to 50%.

**4**



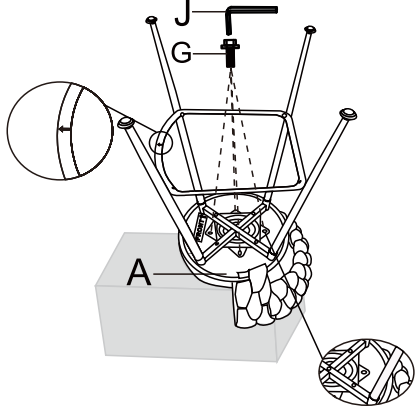
Tighten the screws to 100%.

**5**




Tighten the screws to 100%.

**7**



**8**



Adjust foot nails to make chair stable.