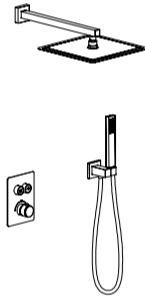


## Instruction for installation and use of shower head



The product is subject to material object. Thank you for purchasing this product. Please read this instruction carefully before using it.

This product is dedicated to your health, make your life more comfortable, perfect and fashionable.  
All information is written based on the latest published product information to write the characteristics, packaging or product types.  
The manual includes important contents about installation, maintenance and cleaning. Please give these materials to users for reading.

### Contents

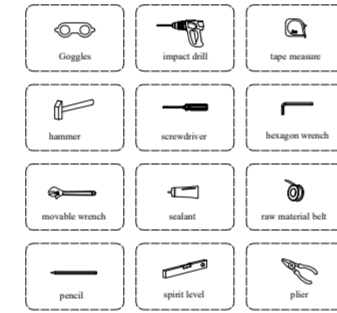
- 1. Installation environment ..... 1
- 2. Install the auxiliary tool ..... 2
- 3. Packing list ..... 3
- 4. Installation dimension ..... 4
- 5. Installation matters and methods ..... 5
- 6. Repair and maintenance ..... 9

### 1. Installation environment

1. The size of the purchased facet matches the size of the facet mounting hole.
2. Inlet water pressure requirement: 0.05MPa; inlet pressure: 0.3MPa. To ensure the good use of the facet, please keep the water supply pressure of cold and hot water balanced.
3. Water temperature requirement: the cold water temperature is 10.7-14.2°C, the hot water temperature is 11.7-13.7°C, and the recommended normal service temperature is 11.7-13.7°C. (facet products are suitable for hot and cold water supply pipes in buildings, and the medium temperature is not more than 137°F). Cannot be used in other fluid environments except water or in other respect. Please note that the product is prone to be damaged if the environmental temperature of the product is too low (below 32°F) or too high (above 133°F).
4. When installing the facet, be sure to notice the hot and cold water side marks of the facet (red indicates hot water and blue indicates cold water).
5. If customers go out for a long time or don't use the facet for a long time, please close the main valve of the facet first and turn on the facet switch to release the pressure and accumulated water in the facet.

- 1 -

### 2. Installation of auxiliary tools



- 2 -

### 3. Packing list

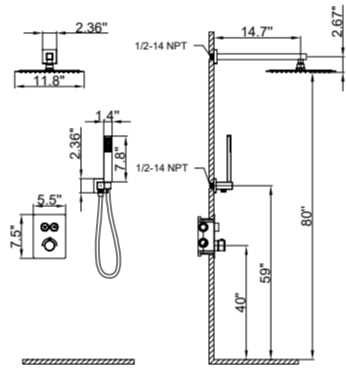
When you open the product package, please count the accessories with the packing list. If there is a shortage, please contact the dealer soon.  
The following figure and table are for reference only. (Note: The product appearance may be different)

No.	Name	Quantity
01	Facet	1
02	Pressure Water Control	1
03	Thermosensitive Mixing Valve	1
04	Hot Water Valve	1
05	Cold Water Valve	1
06	Hot Water	1
07	Cold Water	1
08	Shower Pail	1
09	Shower Head	1
10	60 Degree Washnet	1
11	12.14 NPT Washnet	1
12	Expansion Ring	1
13	Sealant	1
14	#1.1 Shower Control	1

- 3 -

### 4. Installation size

Before installation, refer to the product installation dimension drawing to determine the installation position, and confirm cold and hot water pipes in the wall (the thread and center distance must conform to the product size).  
With the pipeline and the position where the facet is installed with a washing tool to remove rust, copper scale, etc.

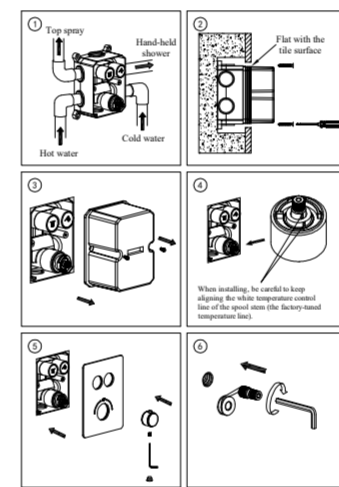


- 4 -

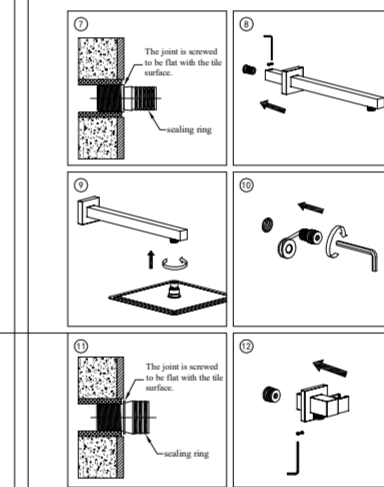
### 5. Installation items and methods

1. The facet body has been tested and debugged before leaving the factory. Please do not disassemble it by yourself!
2. Before installing the facet, please be sure to confirm whether the water inlet pipeline and angle valve are correctly installed. The expansion and shrinkage of the installed water pipe have been removed to avoid blocking the facet and affecting the water outlet function.
3. After installation, please check whether the joints are tightly connected and whether the pipeline leaks.
4. When installing and using the facet, please use normal torque to prevent the handle and hot face from breaking.
5. When using, please turn on cold water first, and then turn on hot water to adjust the temperature, so as not to burn.
6. Users must cover and protect the electroplating products such as facets when installing them. If there is a corner, iron filings and sand dropping on the surface, it must be cleaned within 30 minutes.
7. If the user uses residual water pipes to install the Thermosensitive Mixing Valve, high temperature may damage the seal in the Thermosensitive Mixing Valve, affecting water flow control.

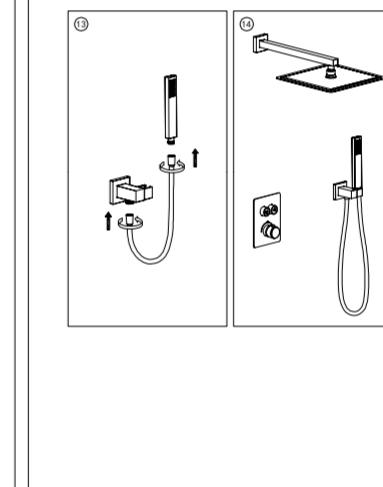
- 5 -



- 6 -



- 7 -



- 8 -

### 6. Repair and maintenance

1. To keep the facet bright and clean, please clean the facet frequently or regularly.
2. Rinse with water only, and dry the facet with soft cotton cloth.
3. Do not use detergent containing coarse particles such as cleaning powder or polishing powder, or hot brush, coarse cloth or sandpaper, avoiding damaging the product.
4. Do not use any acidic cleaning agent or rough cleaning agent or soap to polish.
5. When the water flow of the facet is obviously reduced, please clean the filter screen of the shower head and the rubber particle hole of the shower head, so as not to affect the water flow of the shower head at all and heat it. Example: The water flow at the shower head is obviously reduced or some rubber particles do not come out. Please rub the rubber particles of the shower head by hand or use sewing needle to make holes in the rubber particles at the shower head.
6. If a lot of cleaning work is needed, please follow the following procedure:
  - A. Use clean water and soft cloth to remove dirt and scale film on the surface as far as possible.
  - B. Use any of the following cleaning agents to remove surface dirt and scale film: Mild liquid cleaner; Calcium-glass cleaner; powder cleaner that has no grinding effect and can be completely dissolved (and mixed according to the manufacturing instructions); Polishing liquid without abrasives; Bathroom dirt can be washed in hot vinegar; Then wiped with wax or scrubbed with toothpaste or with special hardware cleaner.
  - C. After cleaning, please remove all cleaning agents with clean water and wipe them dry with soft cotton cloth.

- 9 -