



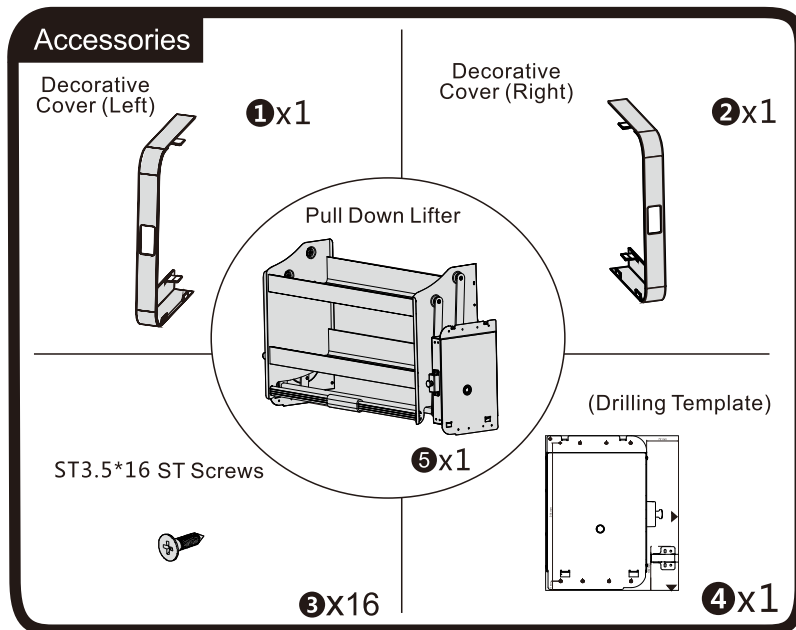
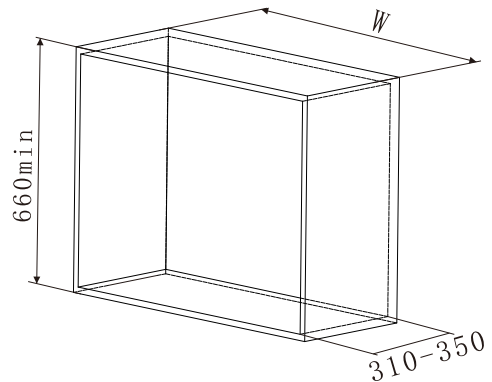
Pull Down Lifter Instruction Manual

1.0 Match your cabinet with a right product size

Please firstly check the list below and make sure the product size is exactly suitable for your cabinet

This manual is for the items below:

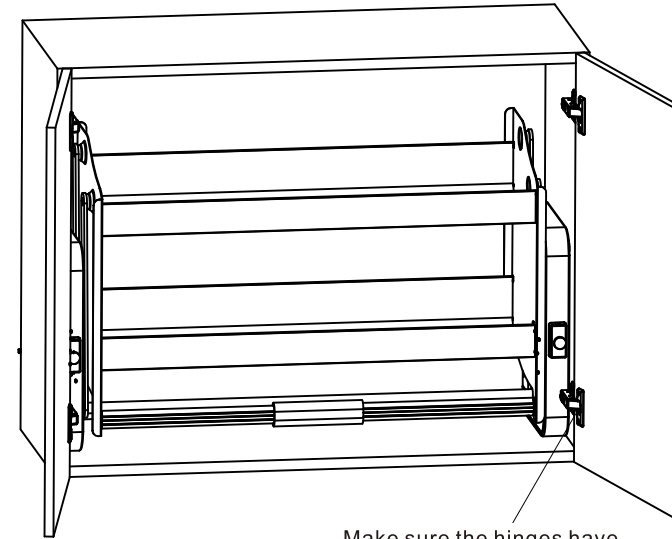
| Name | Item Code | W | Product Dimension |
|------------------------|-----------|-------|-------------------|
| Pull down lifter 600mm | 401221 | 600mm | 564*283*525 |
| Pull down lifter 700mm | 401222 | 700mm | 664*283*525 |
| Pull down lifter 800mm | 401223 | 800mm | 764*283*525 |
| Pull down lifter 900mm | 401224 | 900mm | 864*283*525 |



6.0 Installation of the cabinet doors

6.1 Cabinet doors are recommended to be installed after mounting of the lifter

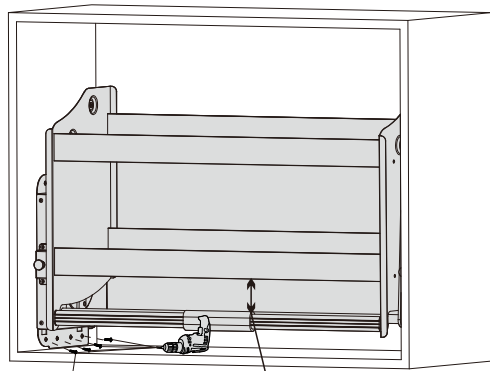
The hinges positions are recommended to be same as the drilling template



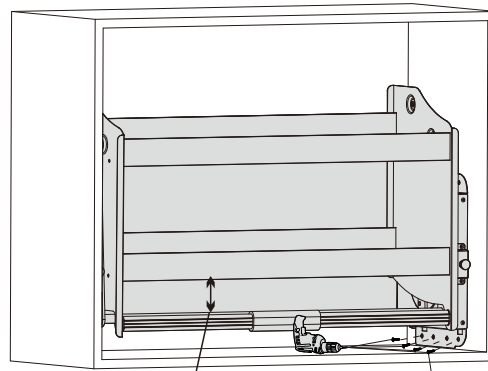
Notice:

1. Three gears are set for the different loading capacity (0-18kgs), it should be based on the weight of which the unit is carrying.
2. When switching the gear, make sure the unit is 100% back to the original position.
3. Do not increase the tension if the storage shelves are carrying nothing or light stuffings, otherwise the high tension might damage the mechanism or the product itself.
4. High tension gear is necessary for heavy stuffing loading, heavy loading might damage the unit in low tension gear.
5. Do not carry more than the limited weight, the overweight stuffing might damage the unit.

3.2 Fix the mechanism to the cabinet by using 8 pcs of ST Screws as illustrated below



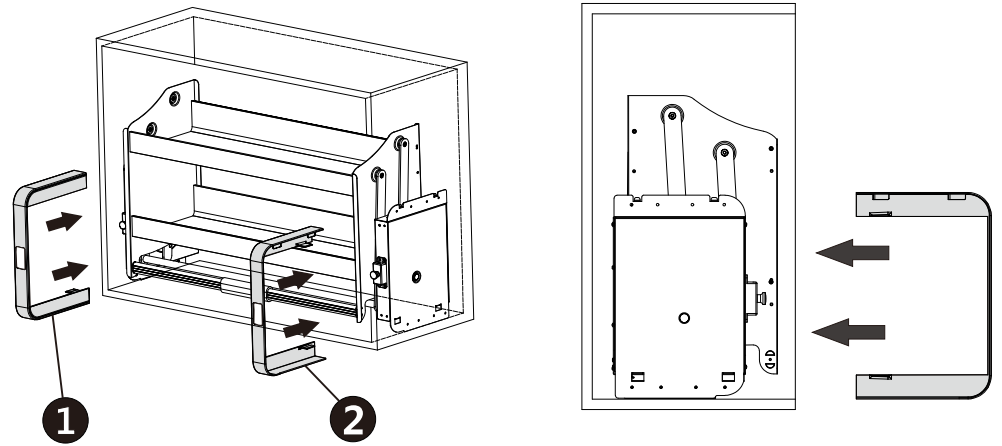
3 The (gap)space between the handle and the lower tray is recommended to put the drill(or screw driver) in



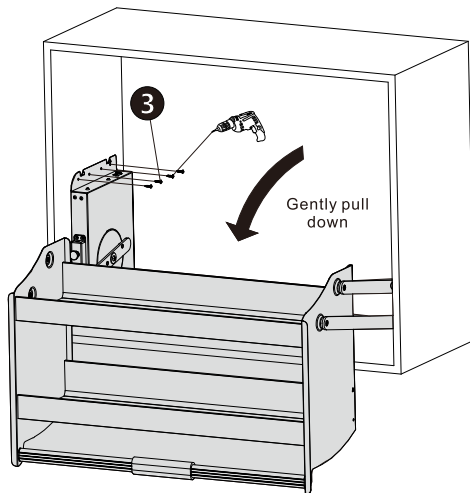
The (gap)space between the handle and the lower tray is recommended to put the drill(or screw driver) in **3**

4.0 Installation of the decorative cover

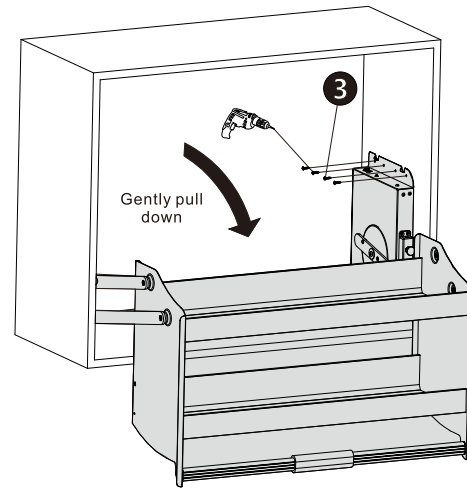
4.1 Push and cover the mechanism as illustrated



3.3 Switch the gear to the soft tension , and fix the mechanism with 8 pcs of ST Screws as illustrated

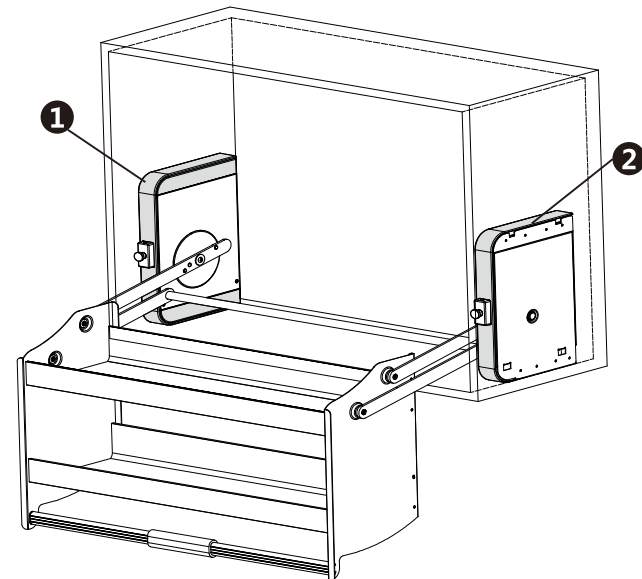


Gently pull down



Gently pull down

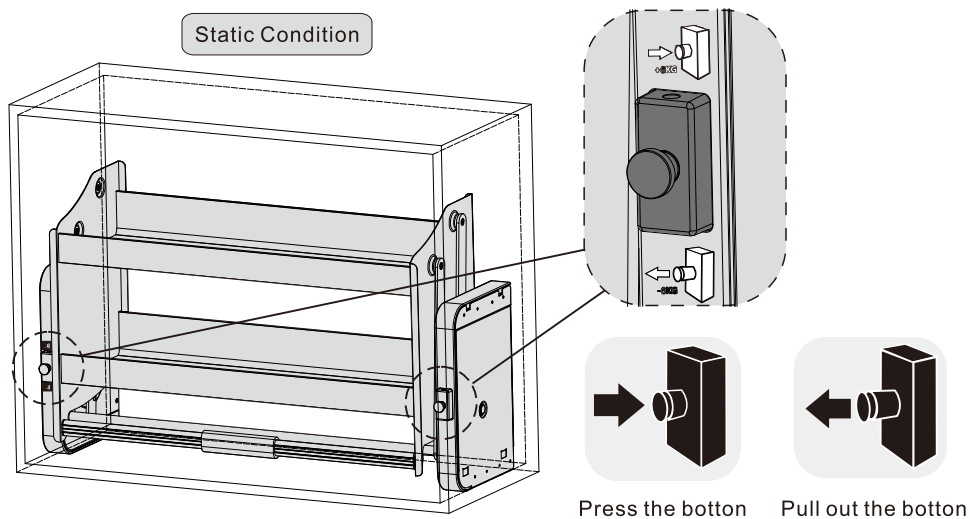
4.2 Installation Completed



5.0 Installation of the tension

5.1 As illustrated, adjust the tension with the two buttons on both sides of the mechanism.

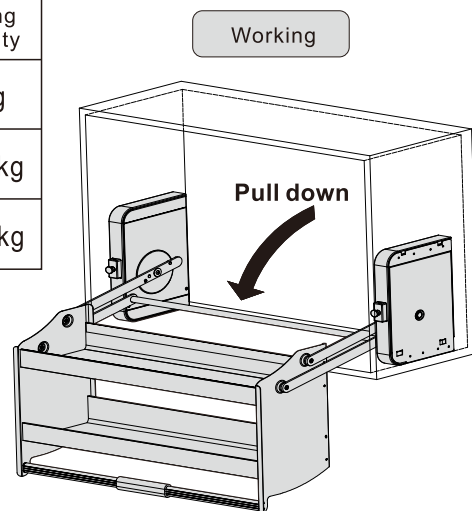
Attention: The tension could be adjusted only when the unit is sitting firm in the cabinet



Do not adjust when the unit is working.

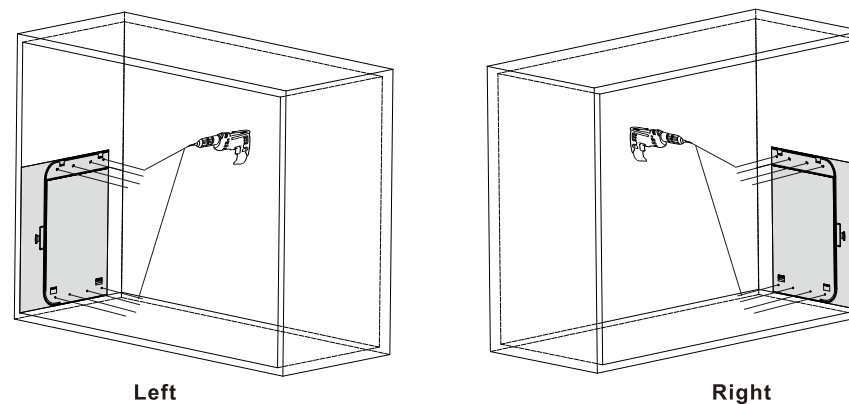
| Gear | Illustration | Buttons status | Loading Capacity |
|---------|--------------|--------------------------------------|------------------|
| 1 Level | | Pull out both left and right buttons | ≤6kg |
| 2 Level | | Press one of the buttons | 6~12kg |
| 3 Level | | Press both buttons | 12~18kg |

Example:
 0~6 kgs 1 Level
 7~12 kgs 2 Level
 13~18 kgs 3 Level



2.0 Illustration for drilling

2.1 Fold the template according to the dot line and put in the cabinet, predrill the holes by $\Phi 2.5\text{mm}$



3.0 Installation Display

3.1 Put the lifter in the cabinet by matching prebored drilling holes

