

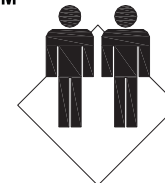
USER'S MANUAL **Double Chair Bench with Table**

THIS INSTRUCTION BOOKLET CONTAINS **IMPORTANT** SAFETY INFORMATION. PLEASE READ AND KEEP FOR FUTURE REFERENCE.

Please give us a chance to make it right and do better!

Contact our friendly customer service department for help first.
Replacements for missing or damaged parts will be shipped ASAP!

**FLOOR AREA
2MX2M**



ASSEMBLED BY 2 ADULTS

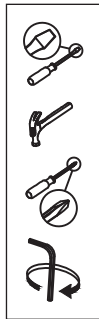
Contact Us!

Do NOT return this item.

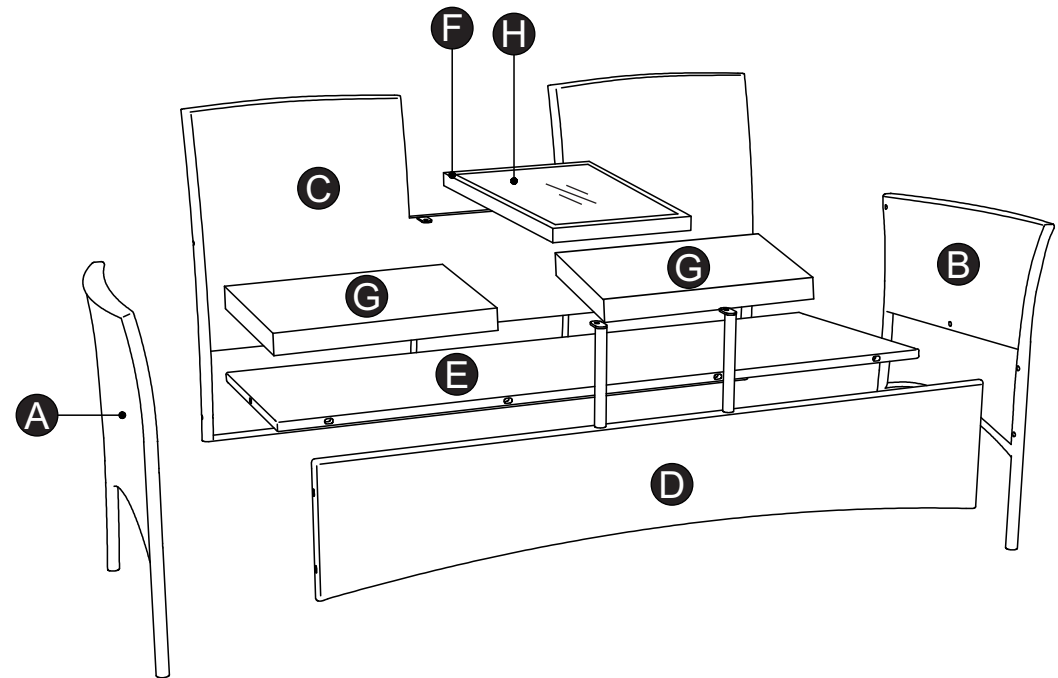
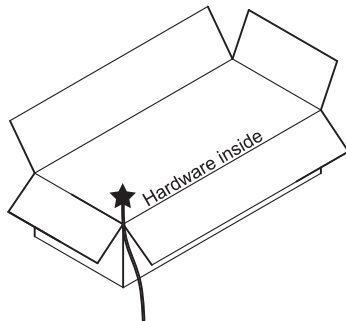
Contact our friendly customer service department for help first.

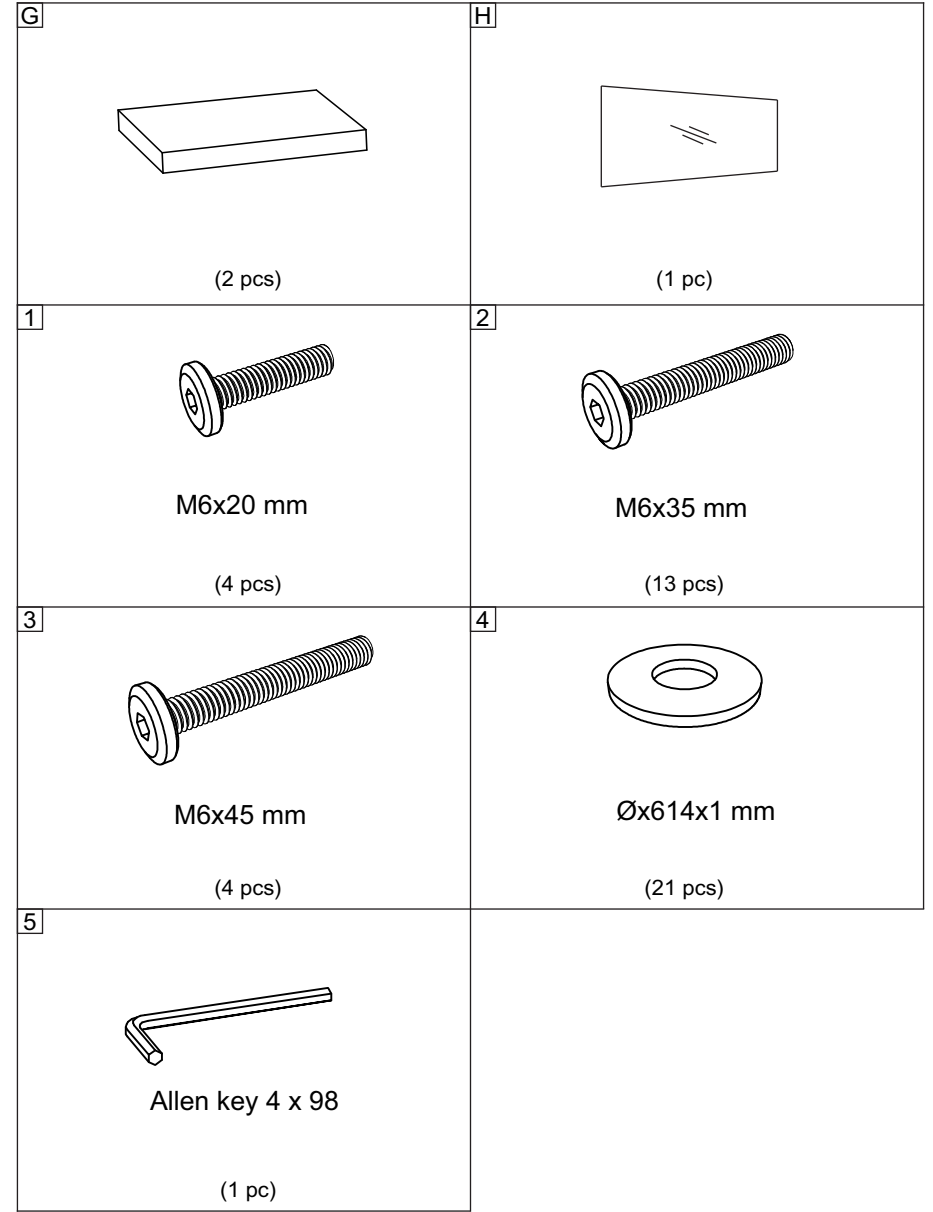
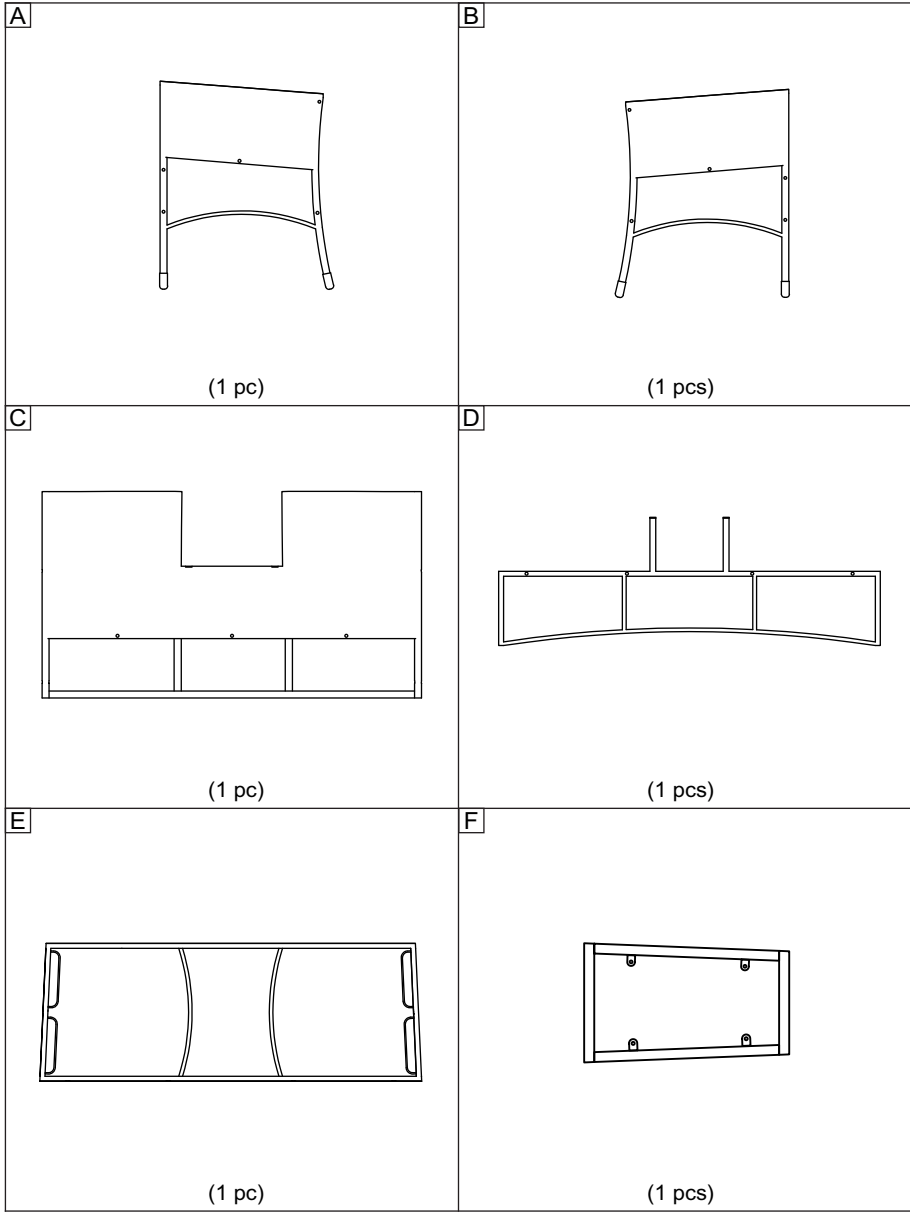


Before You Start

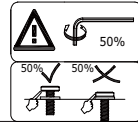
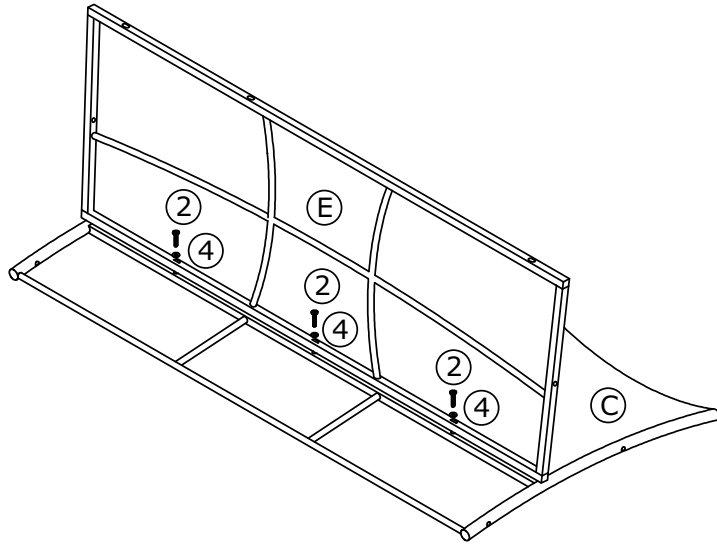


- ⚠ Read each step carefully before starting. It is very important to ensure each step followed in correct order, otherwise assembly difficulties may occur.
- ⚠ Most of board parts are labeled or stamped on the raw edges. Have a check to make sure all parts are included.
- ⚠ Work in a spacious area, preferably on a carpet close to where the unit will be used.
- ⚠ Keep the handtools close at hand. Do not use power tools to assemble your furniture. They may scratch or damage the parts.

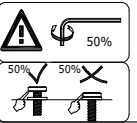
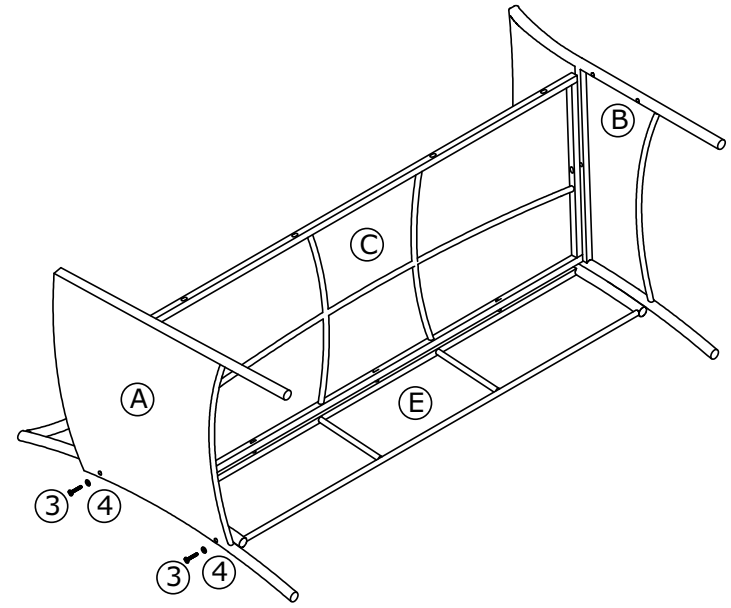




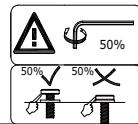
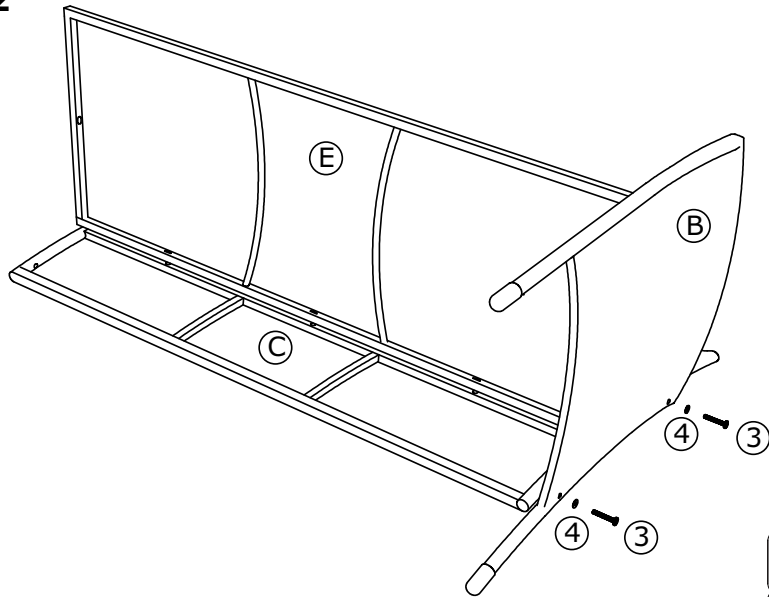
STEP 1



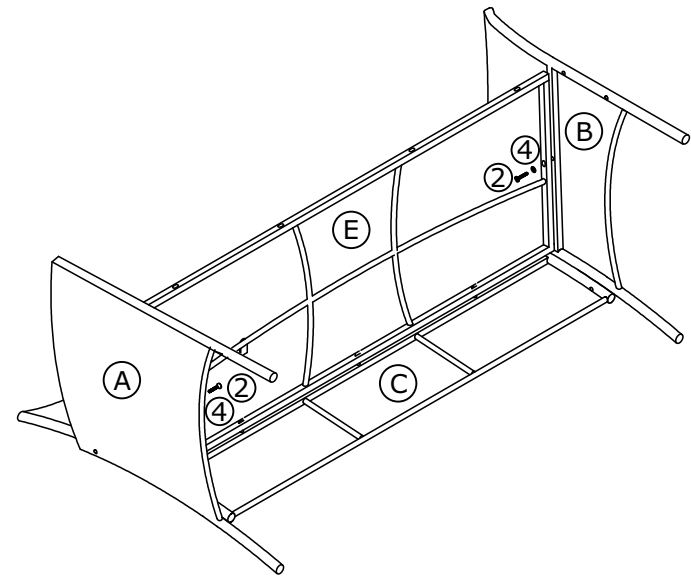
STEP 3



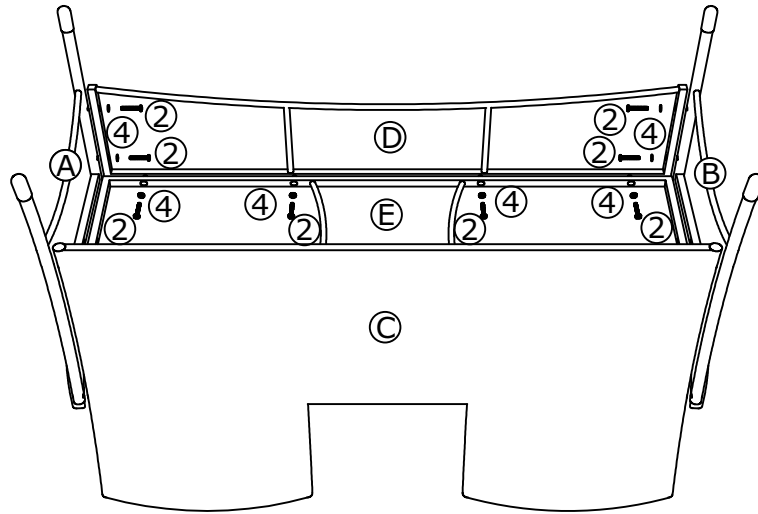
STEP 2



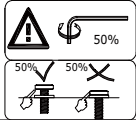
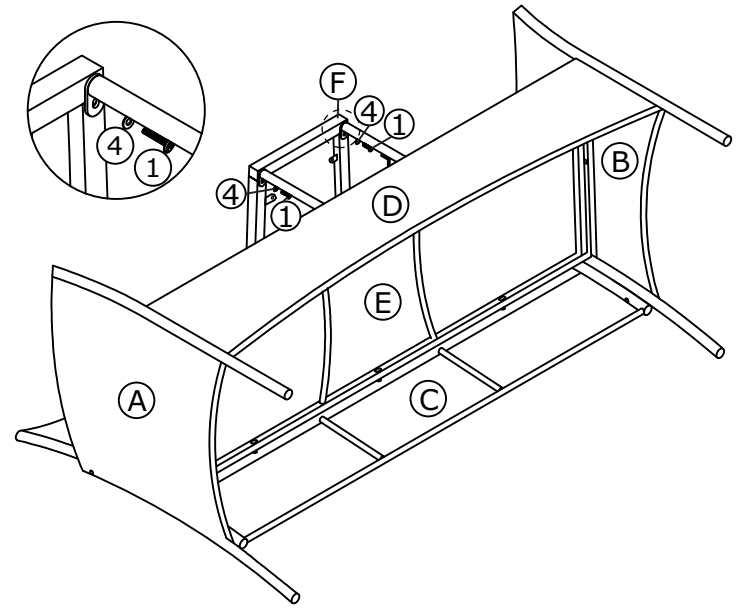
STEP 4



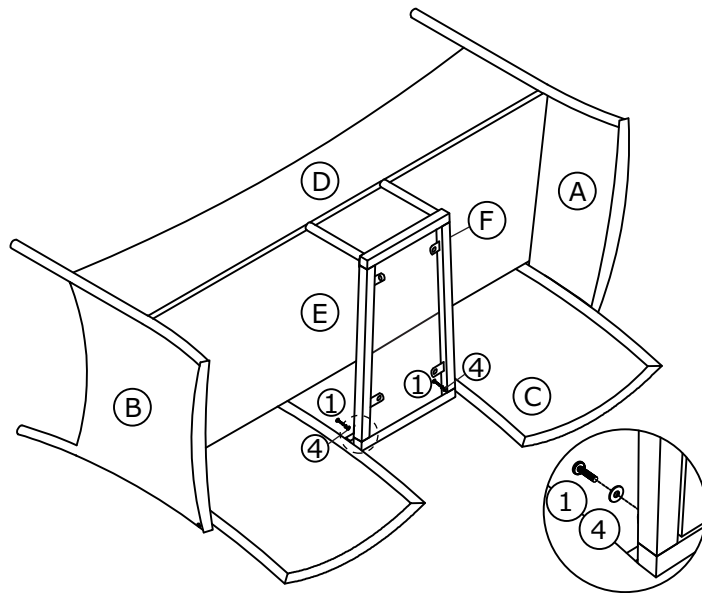
STEP 5



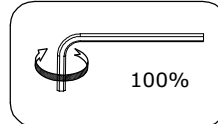
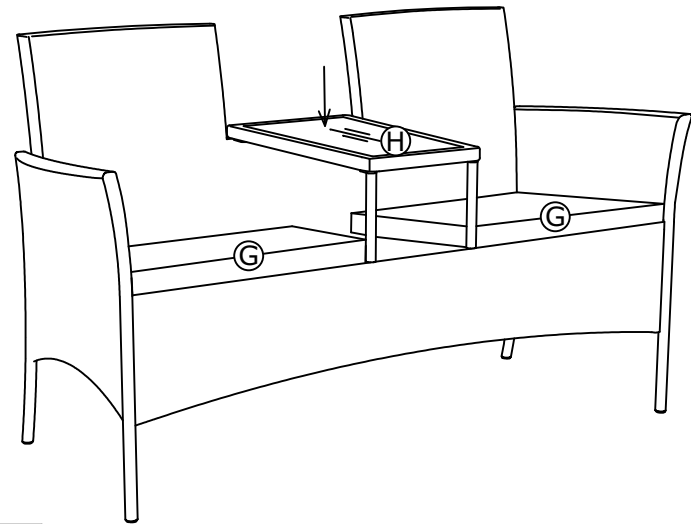
STEP 7



STEP 6



STEP 8



FINISH