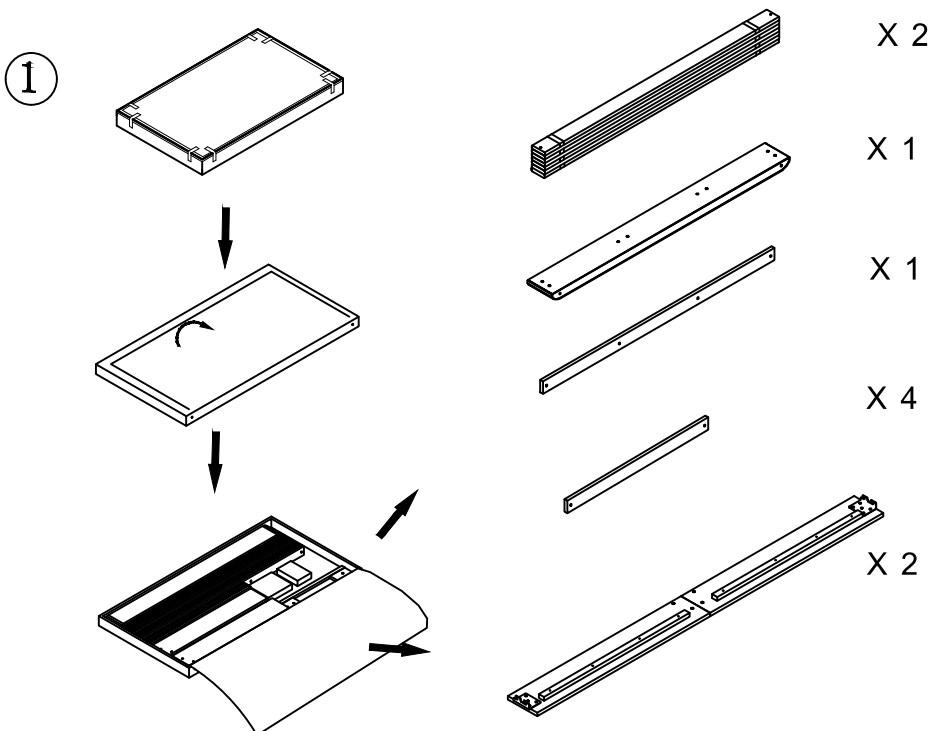


# Assembly Instructions

Thank you for purchasing this quality product. Be sure to check all packing material carefully for small parts that may have come loose inside the carton during shipment.



**HARDWARE LIST:**

A		X 4
B		X 4
C		X 2
D		X 2
E		X 12
F		X 12
G		X 24
H		X 1
I		X 1

