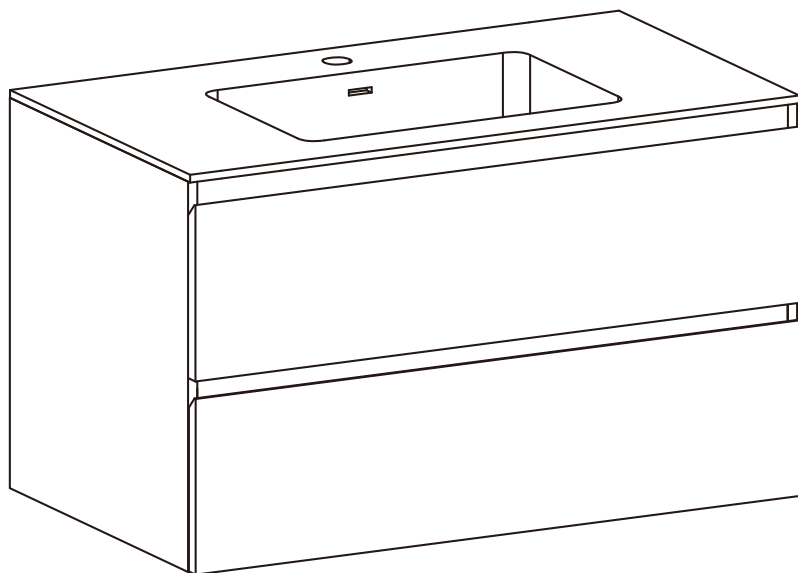


BATHROOM CABINET INSTRUCTION



Angela



This instruction must be given to the user.

Guarantee/Liability only when assembled by an approved specialist in accordance with the instructions and local regulations.

11/1A060136MD-I

11/1A075063MD-I

11/1A090099MD-I

11/1A105006MD-I

MZ1050281

BEFORE YOU BEGIN

- Please read these instructions carefully to familiarize yourself with the required tools, materials, and installation sequences. Follow the sections that pertain to your particular installation. This will help you avoid costly mistakes. In addition to proper installation, read all operating and safety instructions.
- All information in these instructions is based upon the latest product information available at the time of publication. TONA reserves the right to make changes in product characteristics, packaging, or availability at any time without notice.
- These instructions contain important care and cleaning, please leave instructions for the consumer.
- This product complies with GB 24977-2010.

SAFETY WARNINGS

TONA products are precision-engineered and should give continued superior and safe performance, provided:

1. They are installed, commissioned, operated and maintained in accordance with the recommendations given in this Manual.

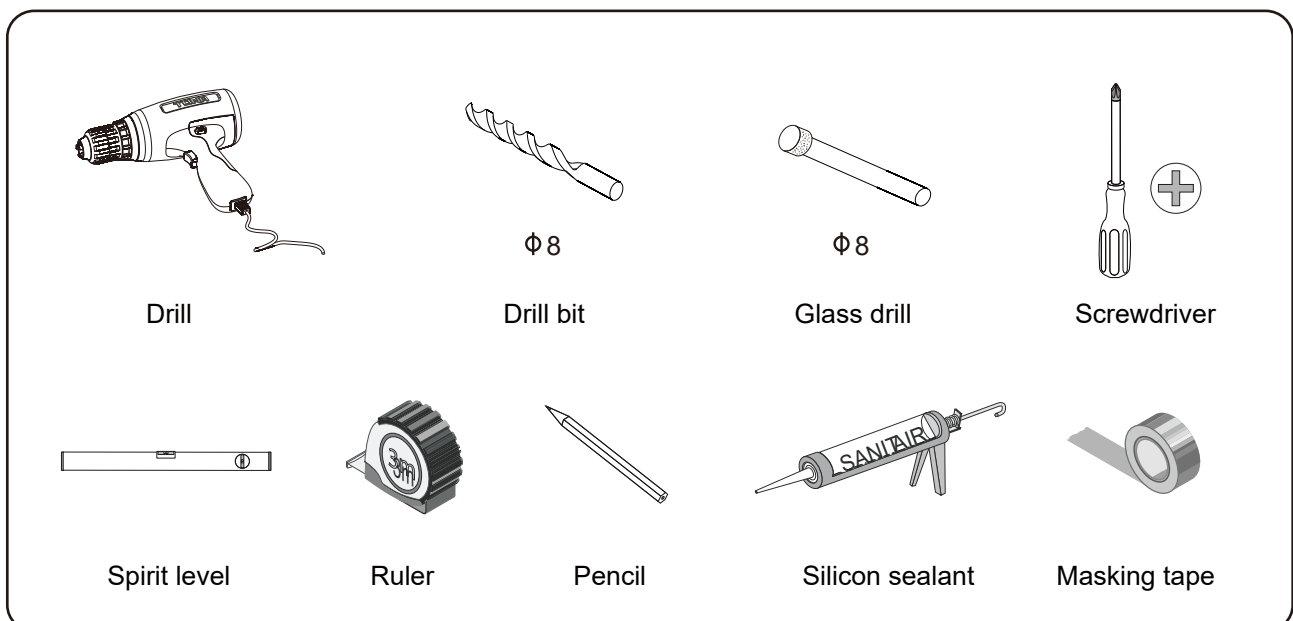
2. Periodic attention is given, as necessary, to maintain the product in good functional order.

Carefully inspect the new fixture for any signs of damage.

When installing TONA Products, manufacturers guidelines for power tool safety should be followed.

TOOLS LIST

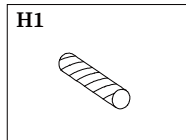
TOOLS AND MATERIALS REQUIRED (Not supplied)



PARTS LIST

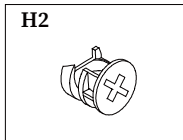


After unpacking, please confirm the parts and quantity according to the following. (Please check the standard accessories and choose one of the following installation methods according to the accessories.)



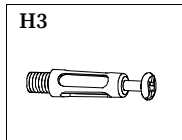
H1

8*φ8*30



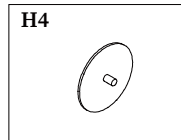
H2

54* (600-900)
58* (1000)



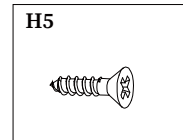
H3

54* (600-900)
58* (1000)



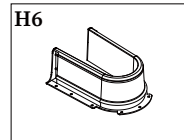
H4

54* (600-900)
58* (1000)



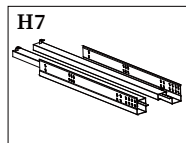
H5

52*φ4*16



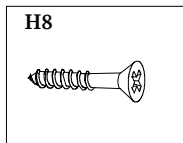
H6

2*



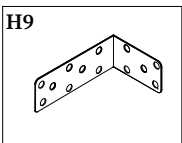
H7

2*



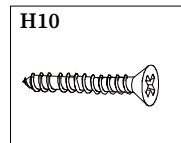
H8

4*φ4*25



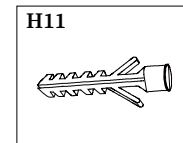
H9

2*



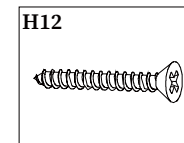
H10

4*φ4*50



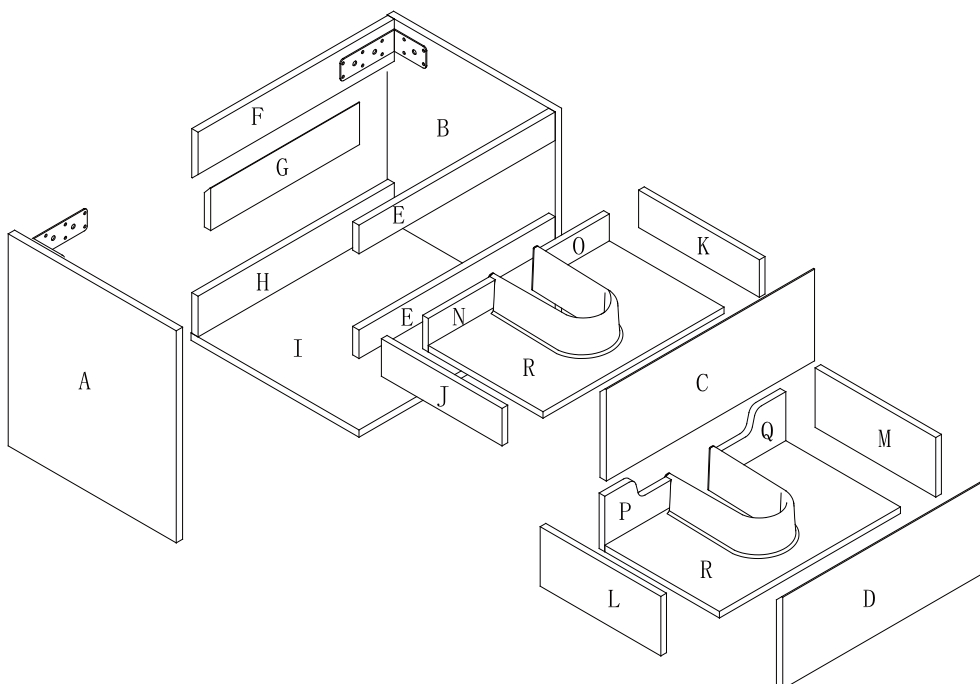
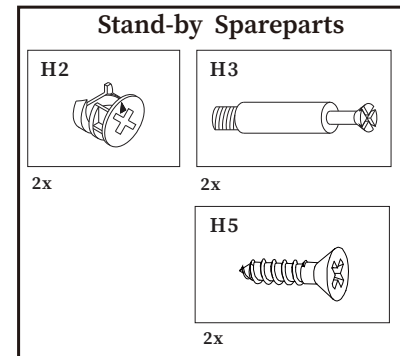
H11

8*φ8*40

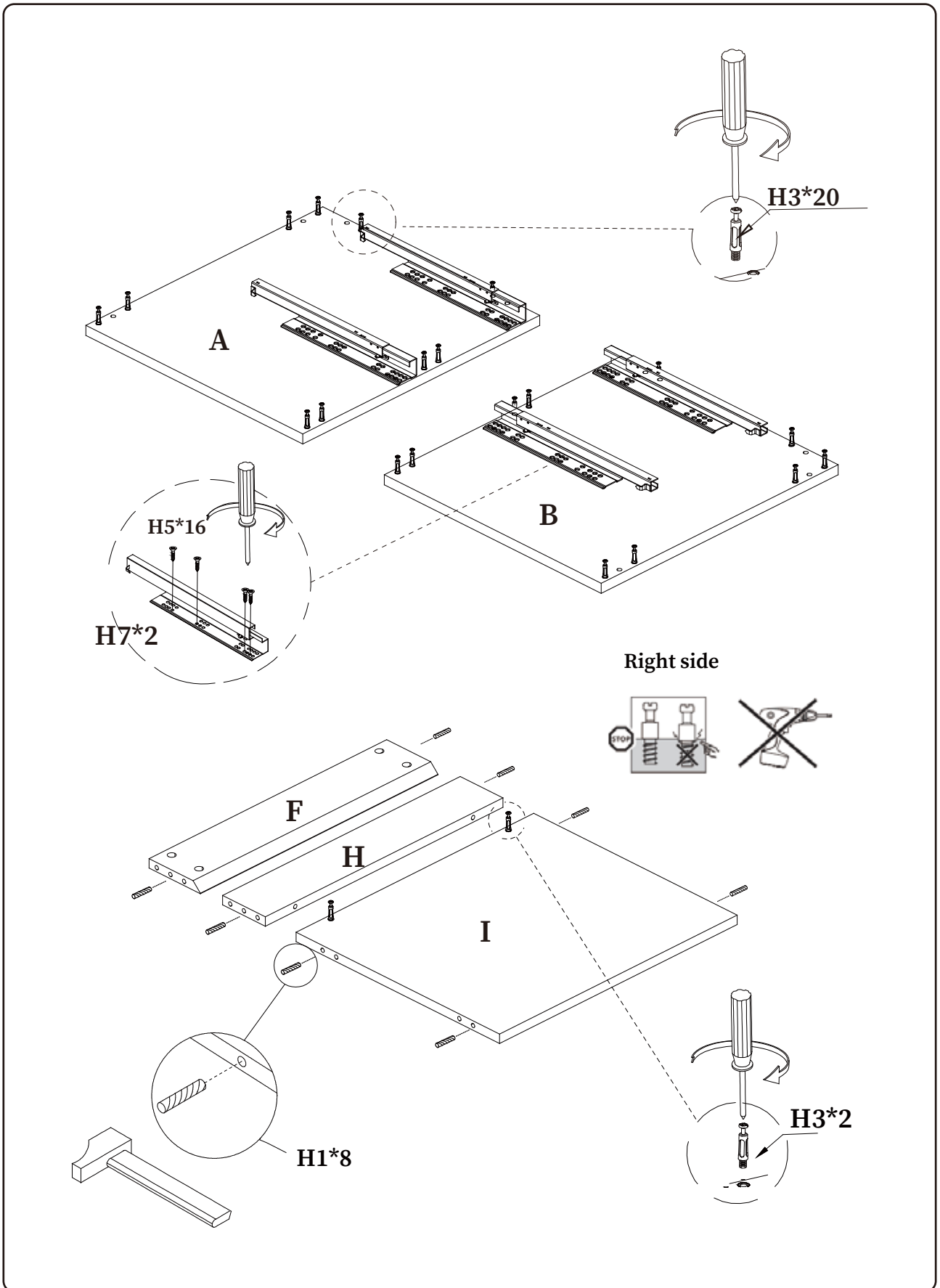


H12

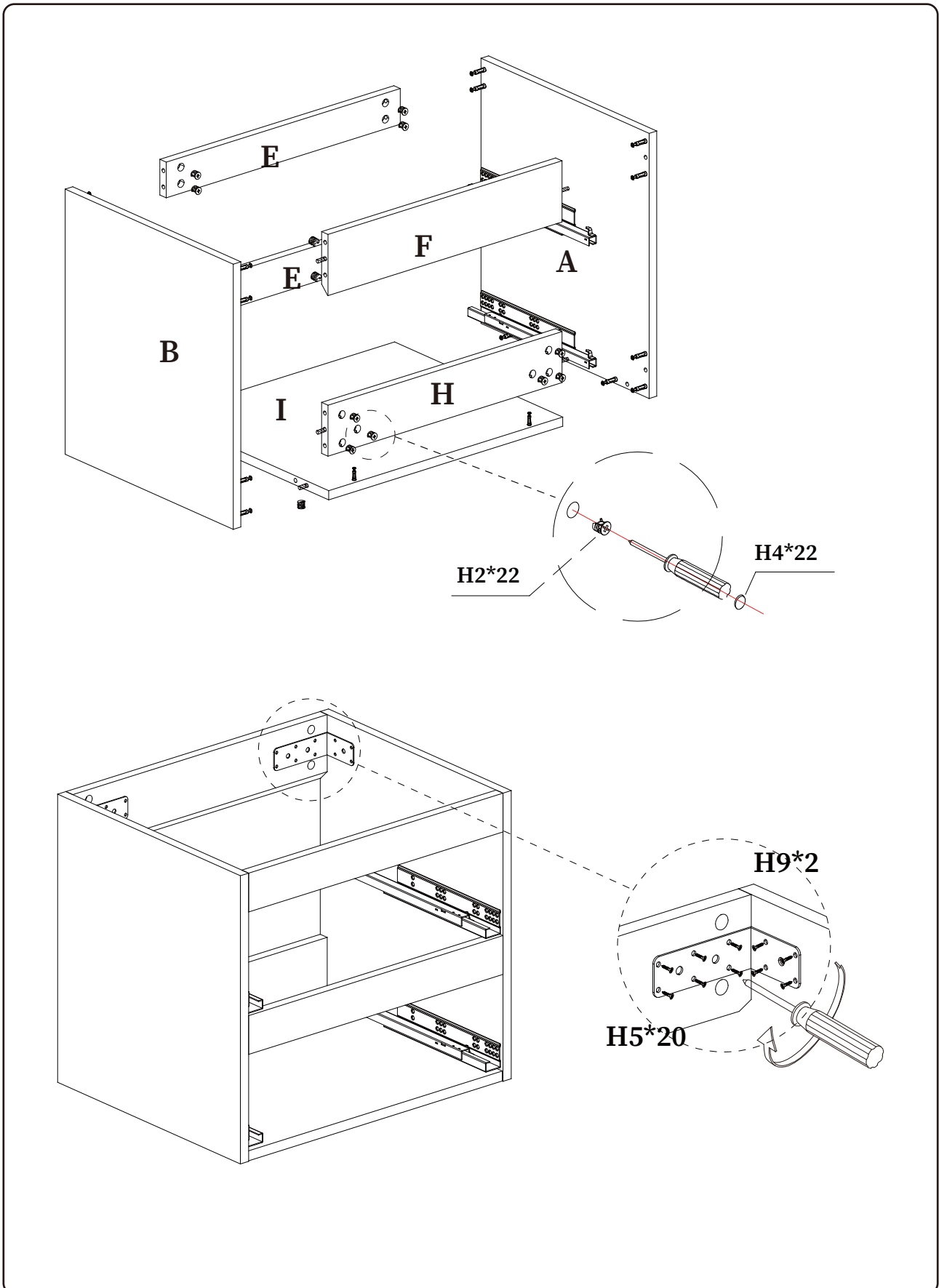
4*φ4*70



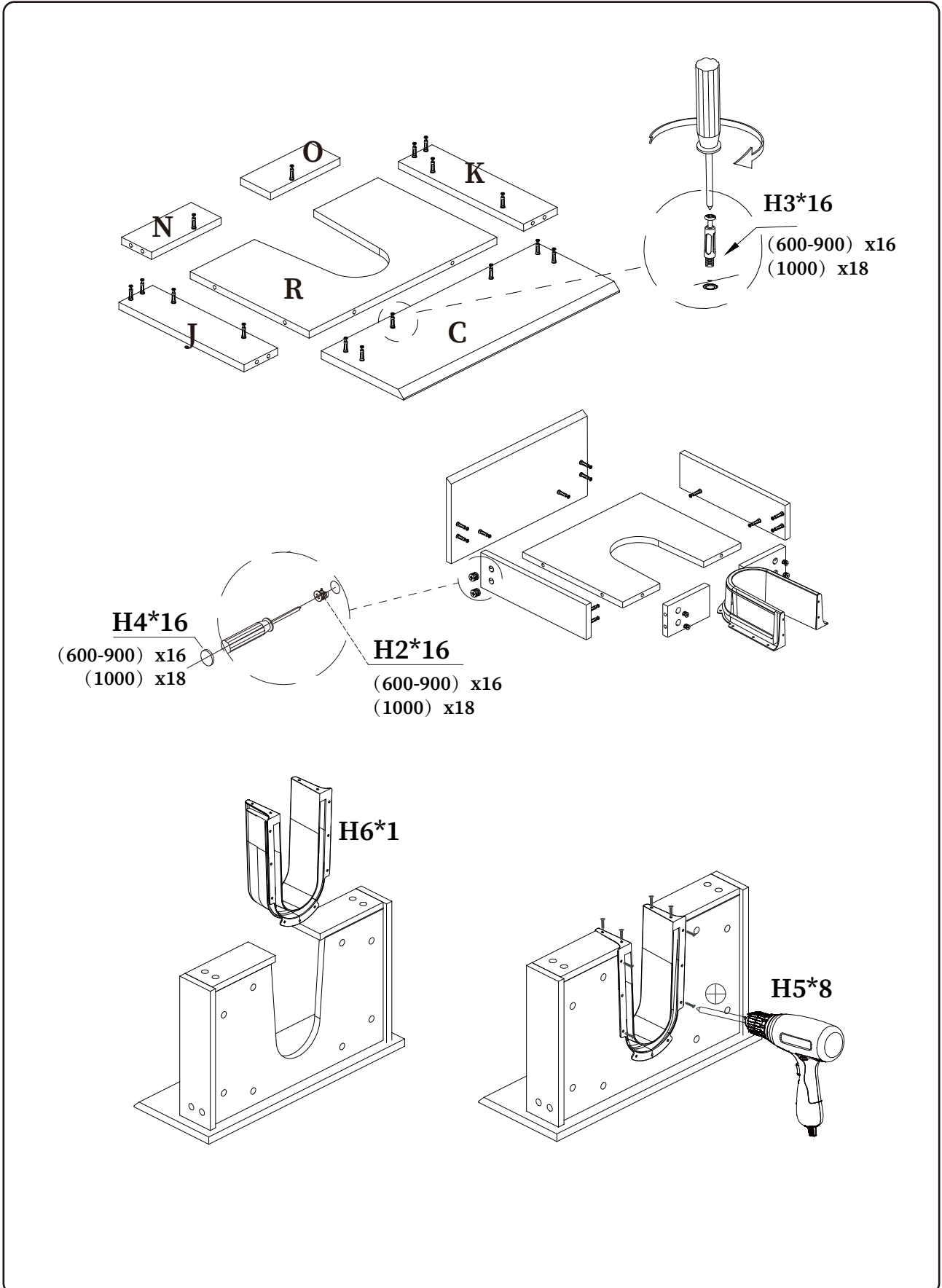
INSTALLATION INSTRUCTIONS



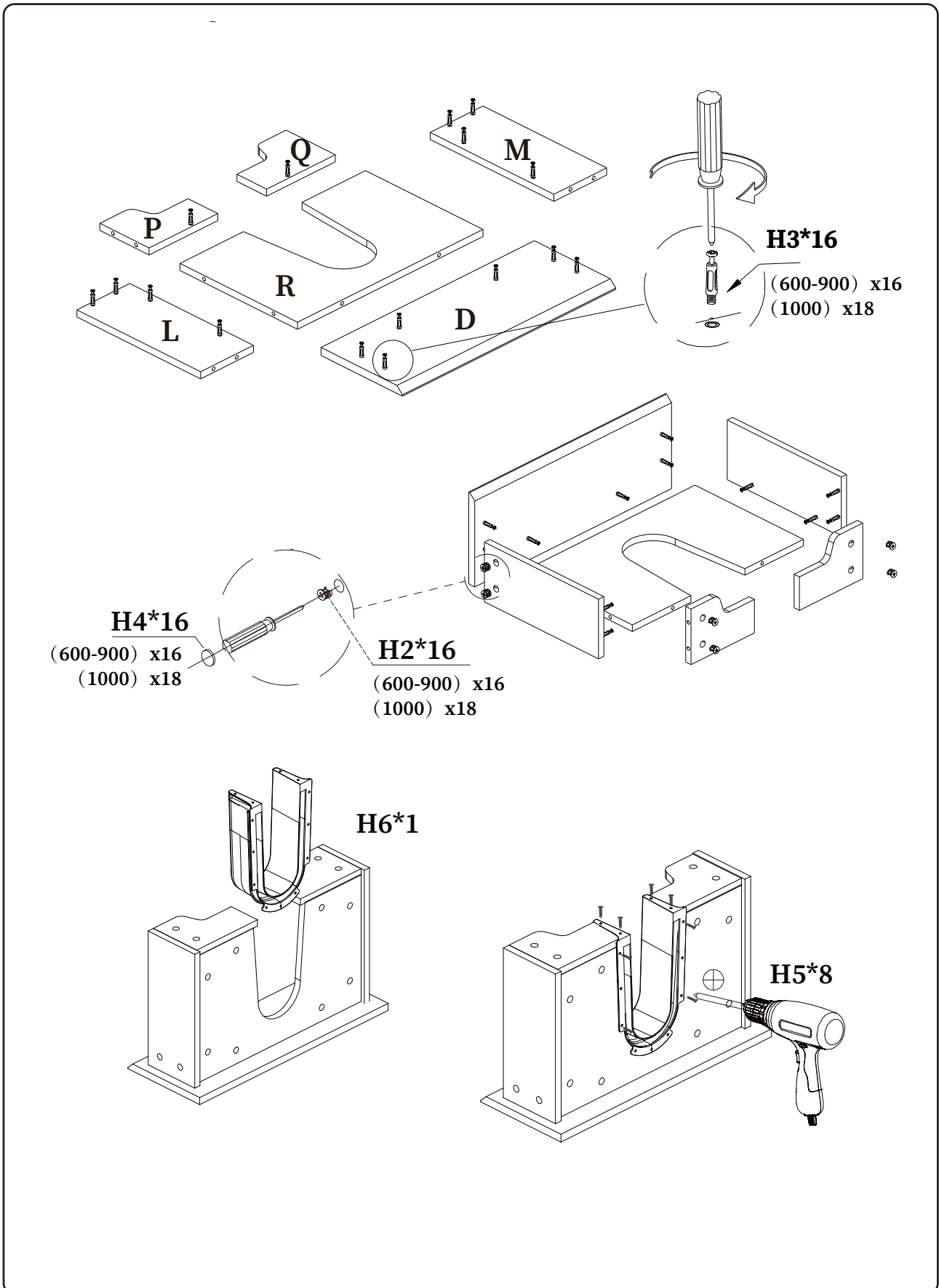
INSTALLATION INSTRUCTIONS



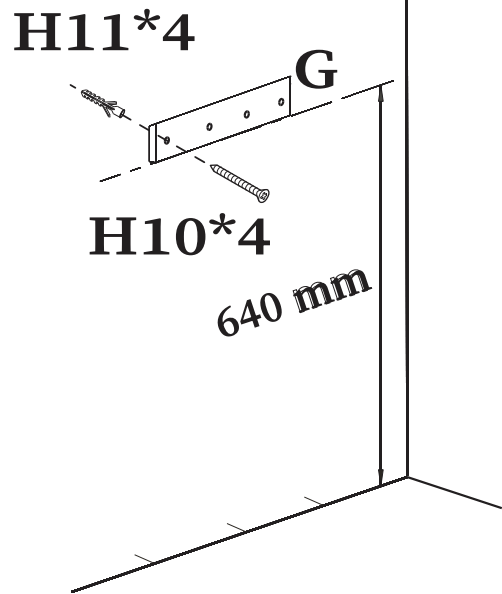
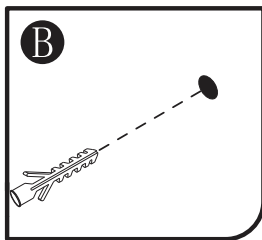
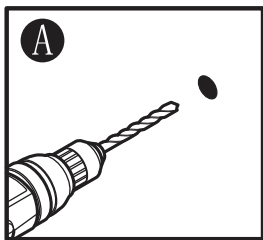
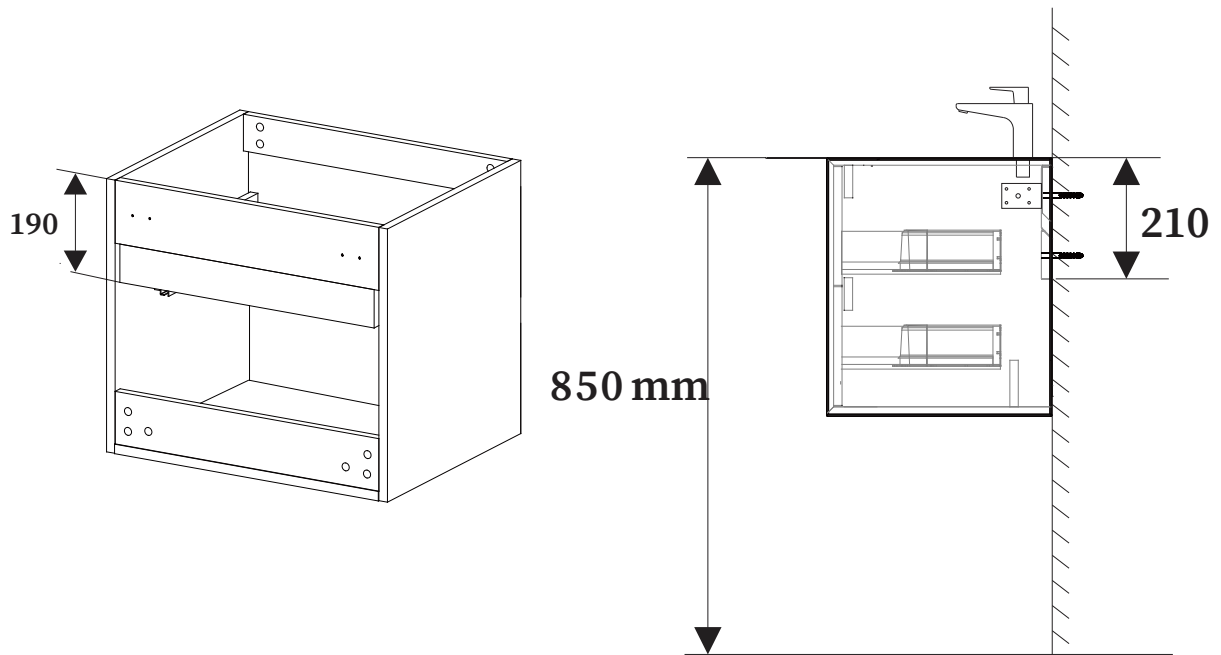
INSTALLATION INSTRUCTIONS



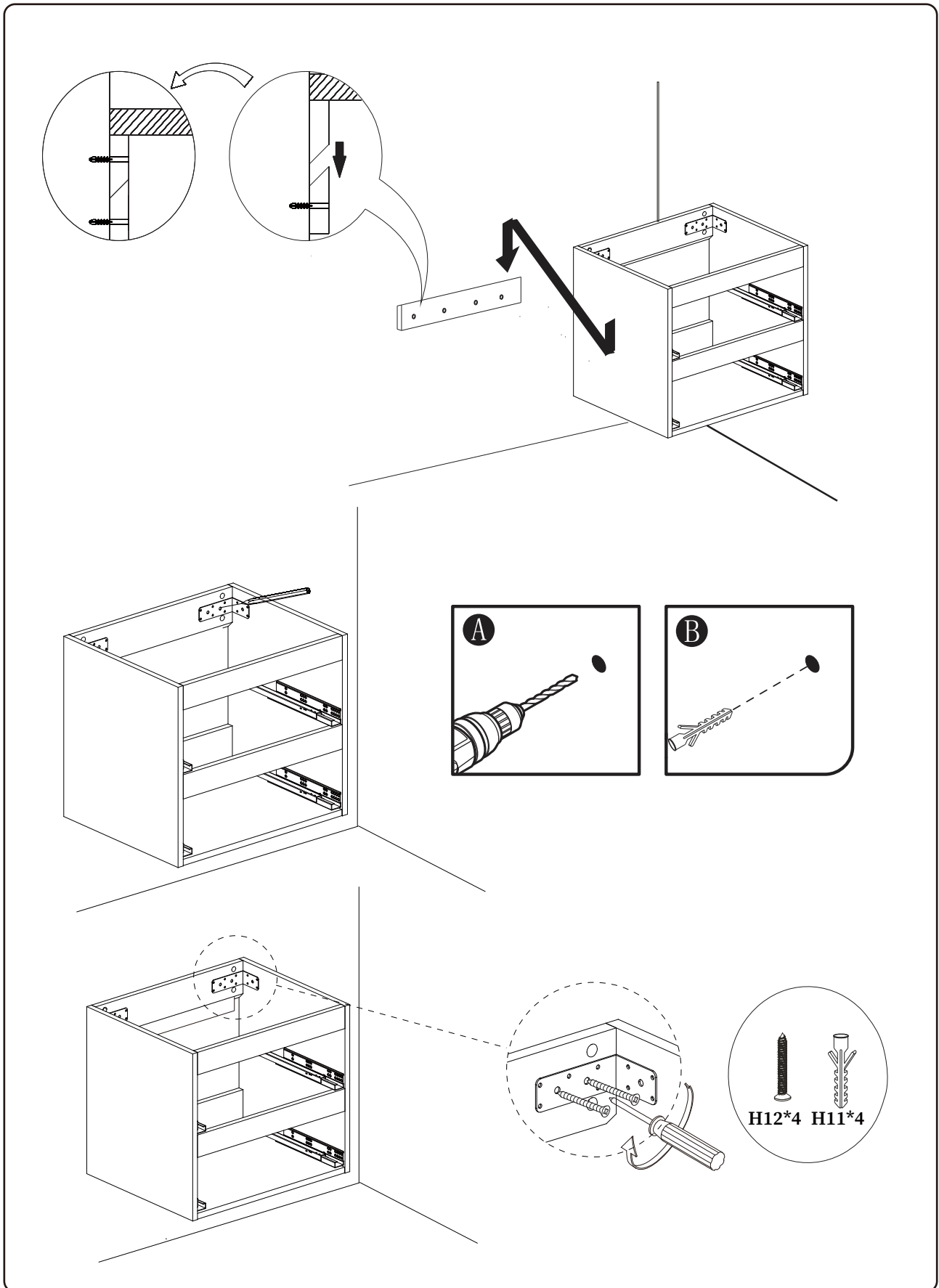
INSTALLATION INSTRUCTIONS



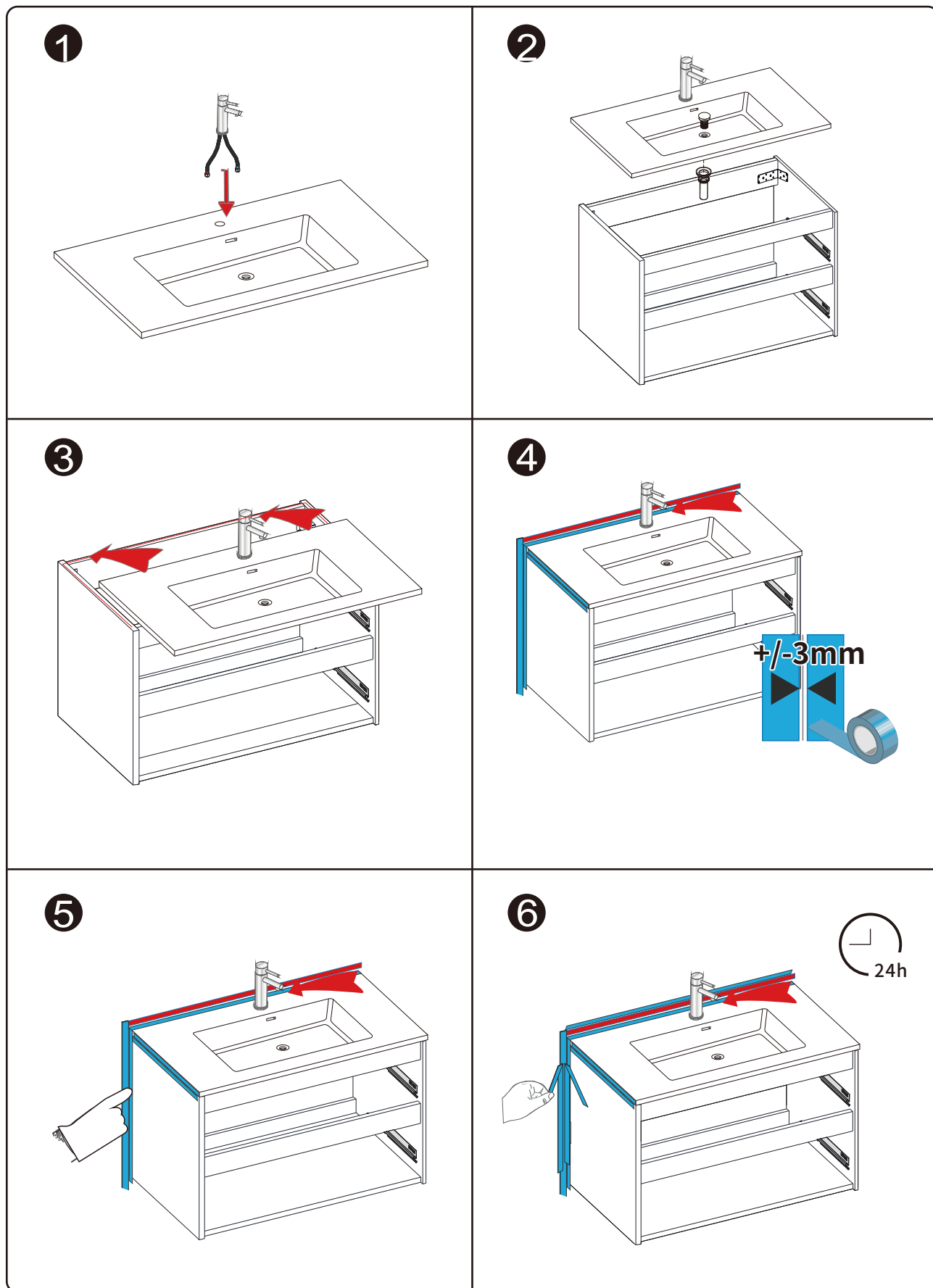
INSTALLATION INSTRUCTIONS



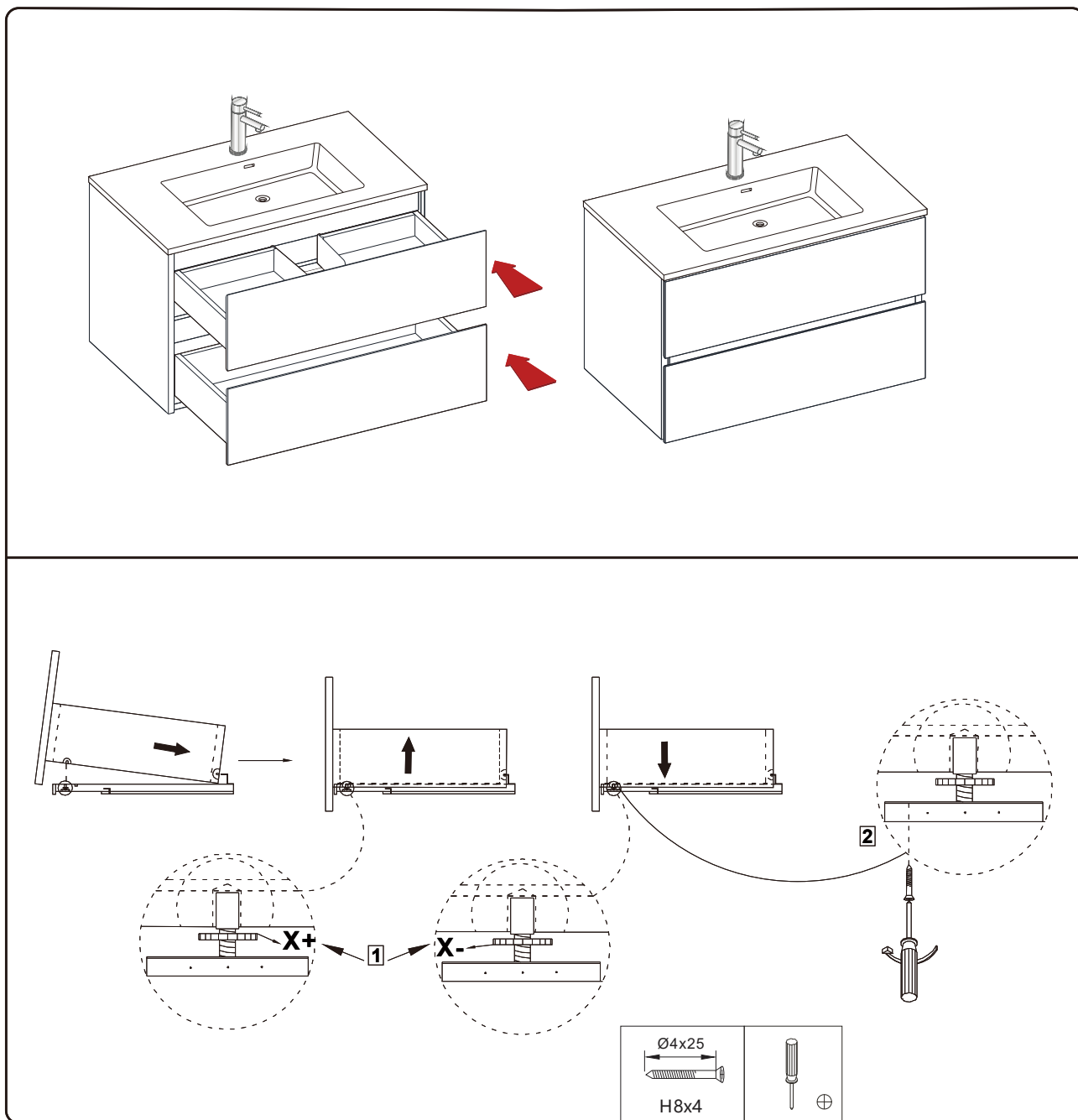
INSTALLATION INSTRUCTIONS



BASIN INSTALLATION










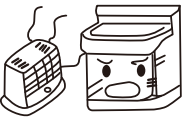








INSTALLATION & ADJUSTMENT OF DRAWER



Wooden drawer

USER MAINTENANCE

<p>KEEP CABINET AWAY FROM WATER, which will cause deformation and damage.</p> <p>CAUTION  </p>	<p>DO NOT put lit cigarettes on the counter or basin, which will cause discoloration.</p> <p>CAUTION  </p>
<p>DO NOT pour acid or alkaline solutions into the basin, which will cause discoloration, leak or damage.</p> <p>CAUTION  </p>	<p>AVOID DIRECT SUNLIGHT, which may cause deformation and discoloration.</p> <p>CAUTION  </p>
<p>AVOID HEAT, which will cause deformation and discoloration.</p> <p>CAUTION  </p>	<p>DO NOT pour hot water into the basin, which may cause damage.</p> <p>CAUTION  </p>
<p>AVOID nylon brush, toilet cleaner or hydrochloric acid cleaner, which will cause damage</p> <p>CAUTION  </p>	<p>AVOID dropping hard objects into the basin, which may cause damage.</p> <p>CAUTION  </p>

To extend the life of the product, please do the maintenance work every day. The following maintenance methods are for reference only.

- ☀ Please dry the cabinet immediately with clean, soft cloth when it encounters water.
- ☀ When the product is stained with dirt, wipe the cabinets clean with a soft, damp cloth, apply some cleaners, and dry immediately with another clean, soft cloth.
- ☀ The water supply pipes, the drainage pipes, and the connection parts are prone to water leakage under different circumstances. Please check these parts regularly to avoid accidents due to water leakage.
- ☀ After the product is used for a period of time, dirt will remain on the drain plug, which will affect drainage, so the plug needs to be cleaned regularly.