

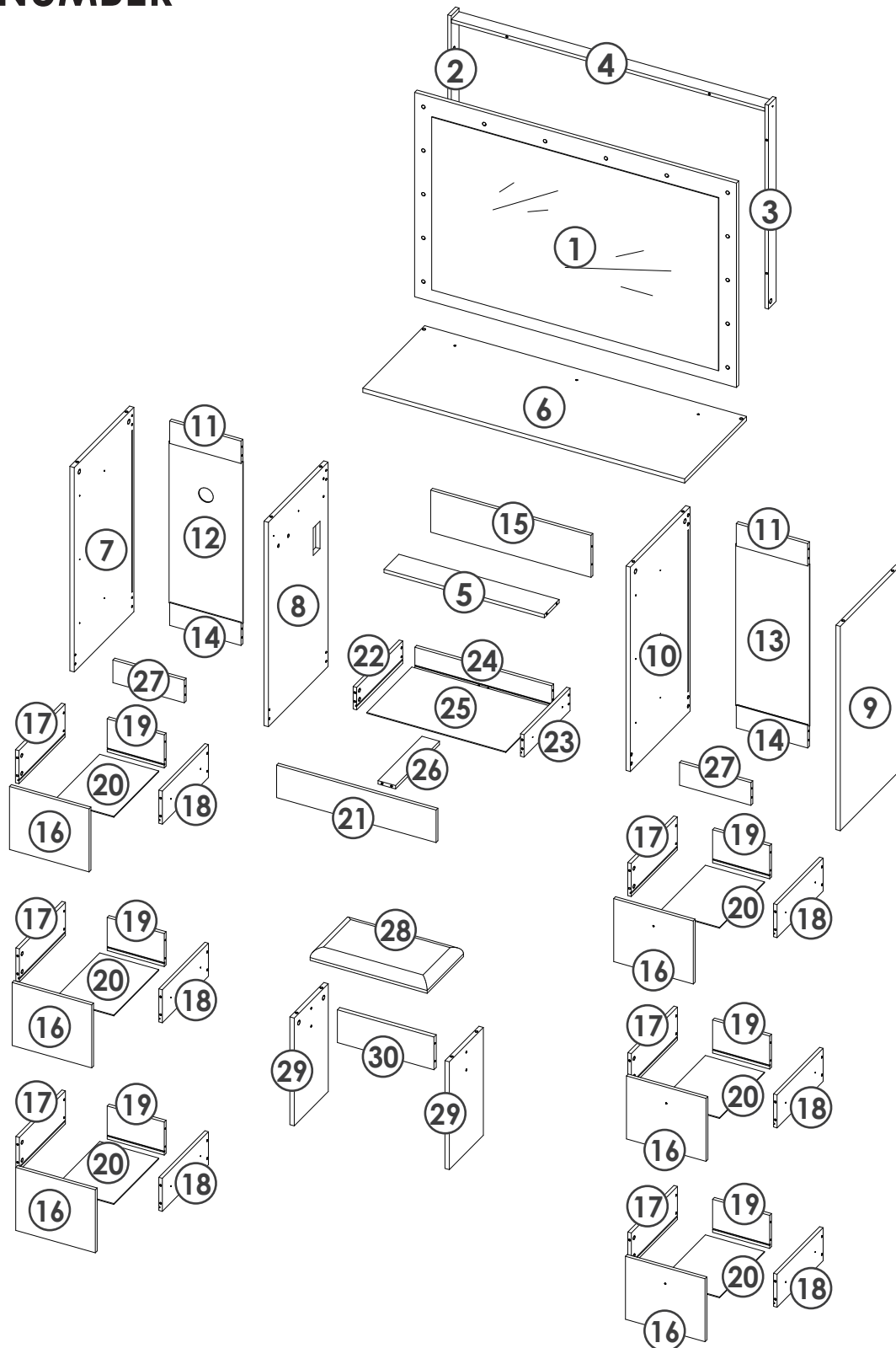
# User Manual

---

# INTRODUCTION

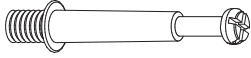

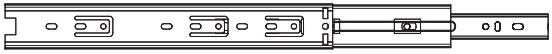




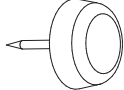
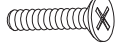
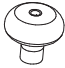

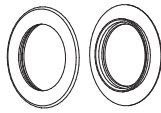


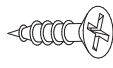
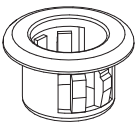

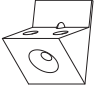

Thank you very much for choosing our makeup vanity. Please read the instruction carefully before assembly and keep it for future reference. If you need further assistance on assembly, please contact our customer service through email.

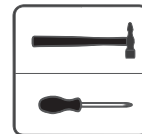
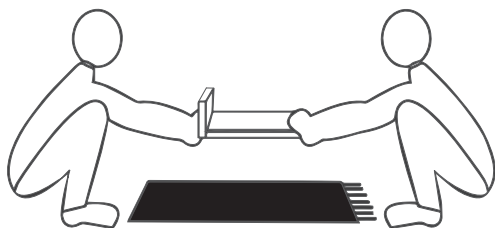
## PLATE NUMBER



# PARTS LIST

Unit: (mm)

<b>A</b> 6*35  x52pc	<b>B</b> 15*10  x52pc	<b>C = C1+C2</b> 12 inches  x14pc	
<b>D</b> 6*40  x4pc	<b>E</b> M3.5*14  x31pc	<b>F</b> M5*40/#3   x65 / x1 pc	
<b>G</b> Ø12*5  x12pc	<b>H</b> M4*16   x7 / x7 pc	<b>J</b>  x1pc	<b>K</b> 3mm  x1pc
<b>L</b> 21mm  x58pc	<b>M</b>  x1pc		<b>N</b> M3.5*12  x28pc
<b>O</b> Ø13  x2pc	<b>P</b> M3*14   x12 / x12 pc	<b>Q</b> LED  x1pc	

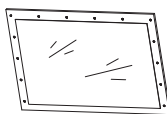
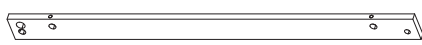
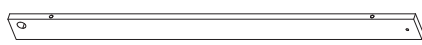
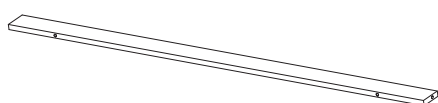



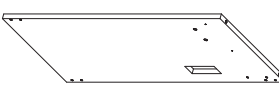
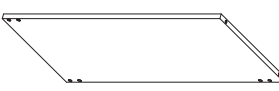
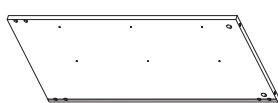
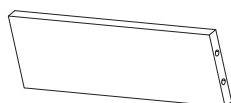



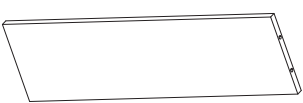


## TIPS

1. When installing the product, use a soft underlay (such as carpet or cardboard) to avoid scratching or damaging the surface of the product.
2. Don't tighten screws completely at first, just in case parts were assembled wrong and need disassemble. Tighten screws at last when all parts are put together.
3. The structure of this product can not meet the requirements of the placement of heavy items and children climbing.

# PARTS LIST

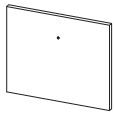
Unit: (mm)

<p>①</p>  <p>x1 pc</p>	<p>②</p>  <p>x1 pc</p>	<p>③</p>  <p>x1 pc</p>
<p>④</p>  <p>x1 pc</p>	<p>⑤</p>  <p>x1 pc</p>	<p>⑥</p>  <p>x1 pc</p>
<p>⑦</p>  <p>x1 pc</p>	<p>⑧</p>  <p>x1 pc</p>	<p>⑨</p>  <p>x1 pc</p>
<p>⑩</p>  <p>x1 pc</p>	<p>⑪</p>  <p>x2 pc</p>	<p>⑫</p>  <p>x1 pc</p>
<p>⑬</p>  <p>x1 pc</p>	<p>⑭</p>  <p>x2 pc</p>	<p>⑮</p>  <p>x1 pc</p>

# PARTS LIST

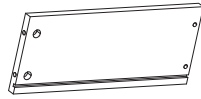
Unit: (mm)

16



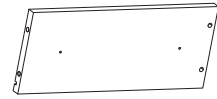
x6 pc

17



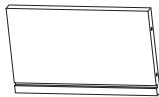
x6 pc

18



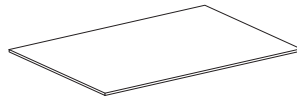
x6 pc

19



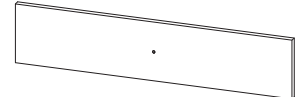
x6 pc

20



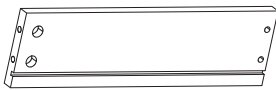
x6 pc

21



x1 pc

22



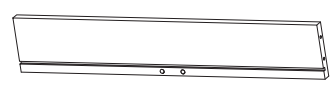
x1 pc

23



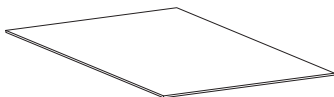
x1 pc

24



x1 pc

25



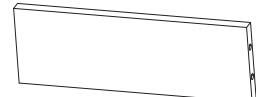
x1 pc

26



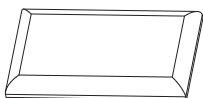
x1 pc

27



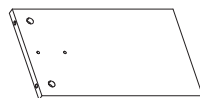
x2 pc

28



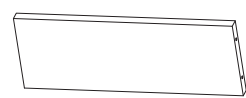
x1 pc

29



x2 pc

30



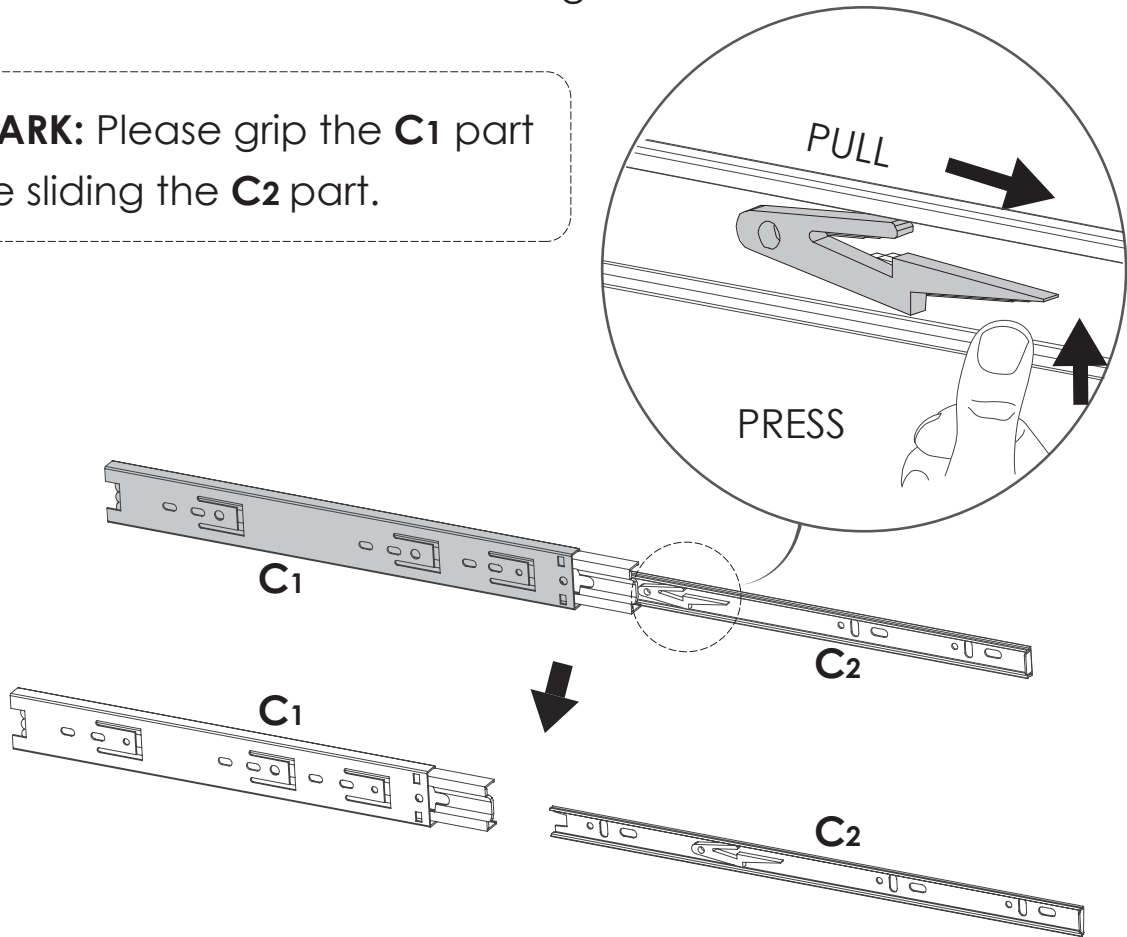
x1 pc

# INSTALLATION INSTRUCTION

## INSTALLATION STEPS

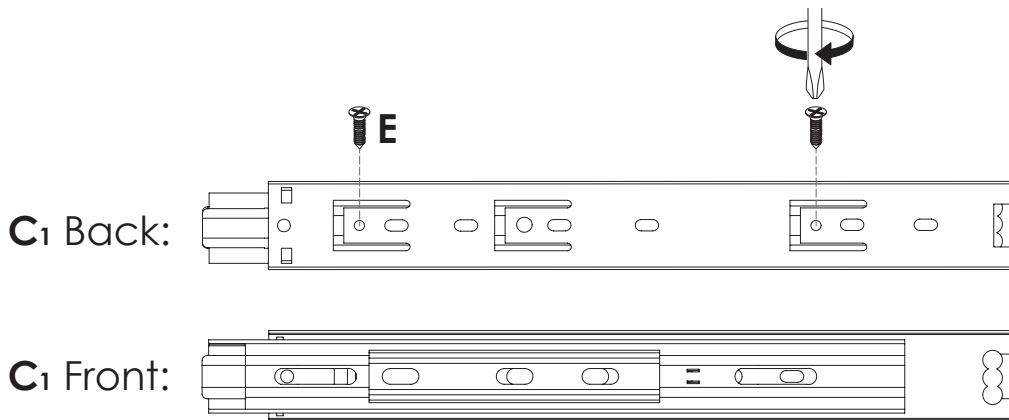
Press the plastic part in the indicated direction to separate drawer runner **C1** and **C2** before assembling.

**REMARK:** Please grip the **C1** part while sliding the **C2** part.



## REMARK:

1. Please locate the holes from the back of part **C1**.



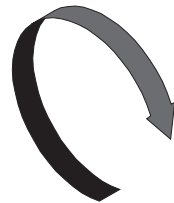
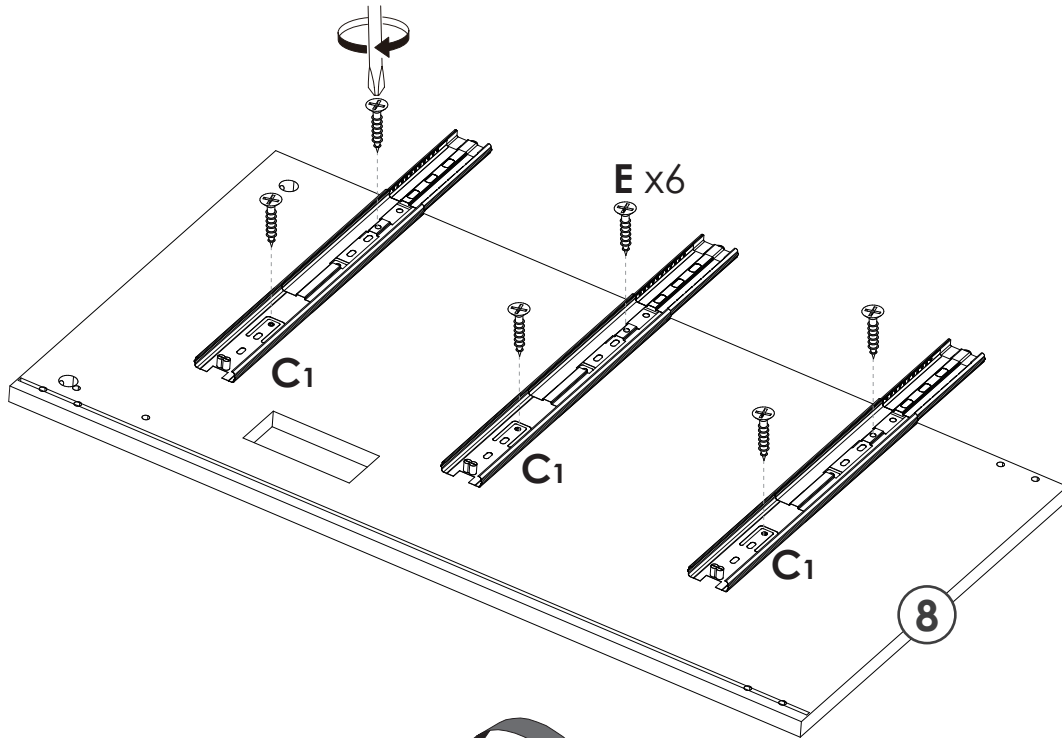
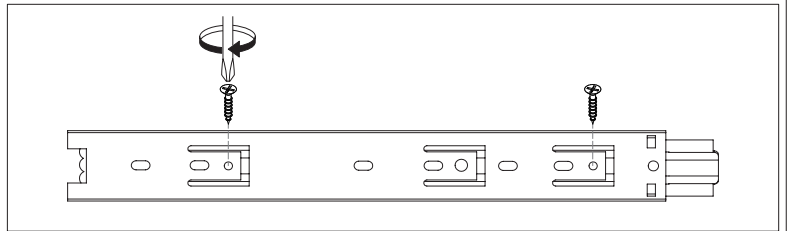
2. But install part **E** from the front of part **C1**.

1

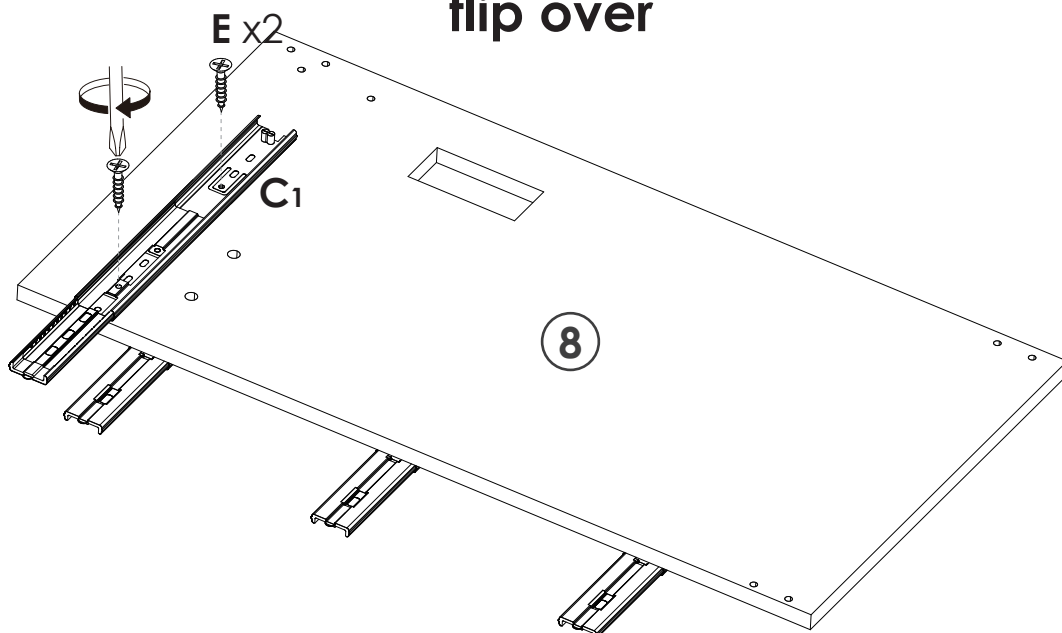
YOU WILL NEED

C1 x4

E x8



flip over

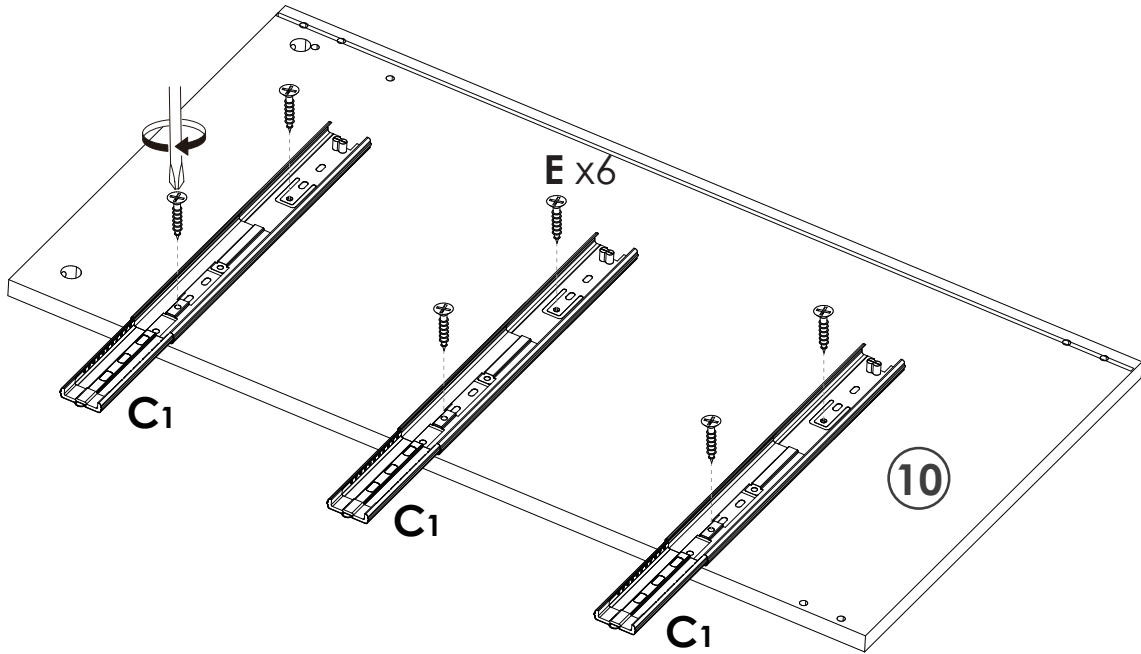
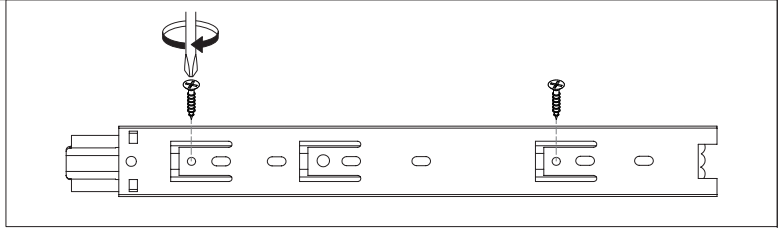


2

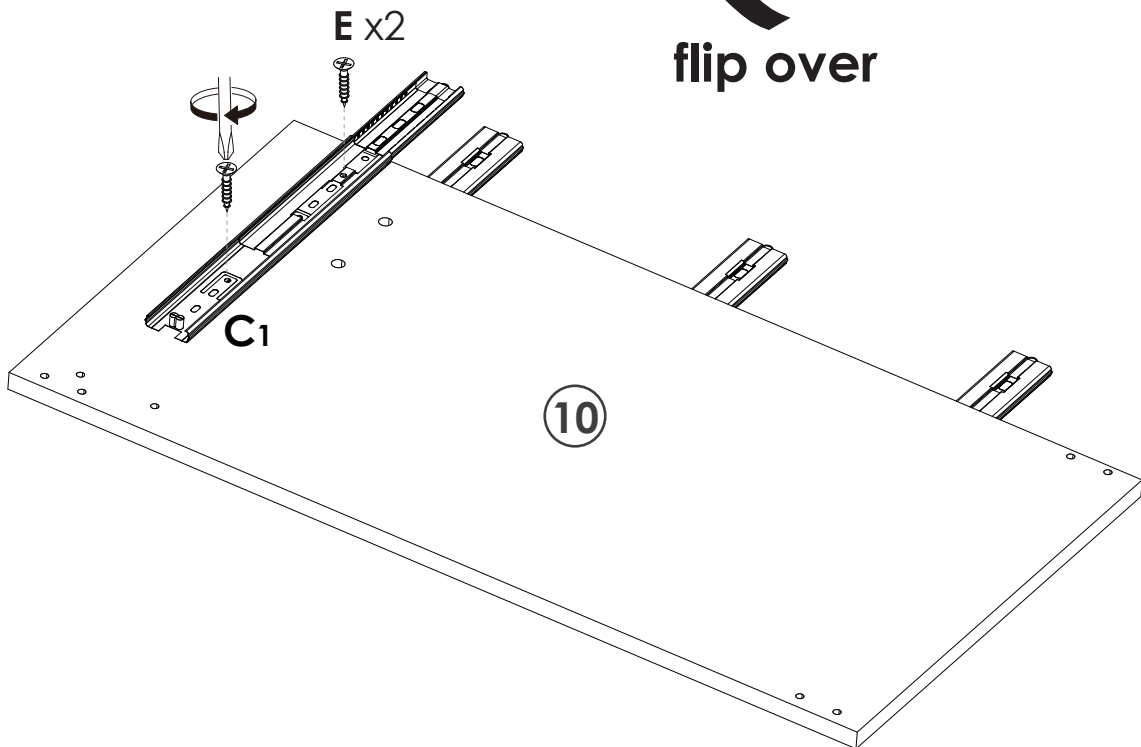
YOU WILL NEED

C1 x4

E x8



flip over

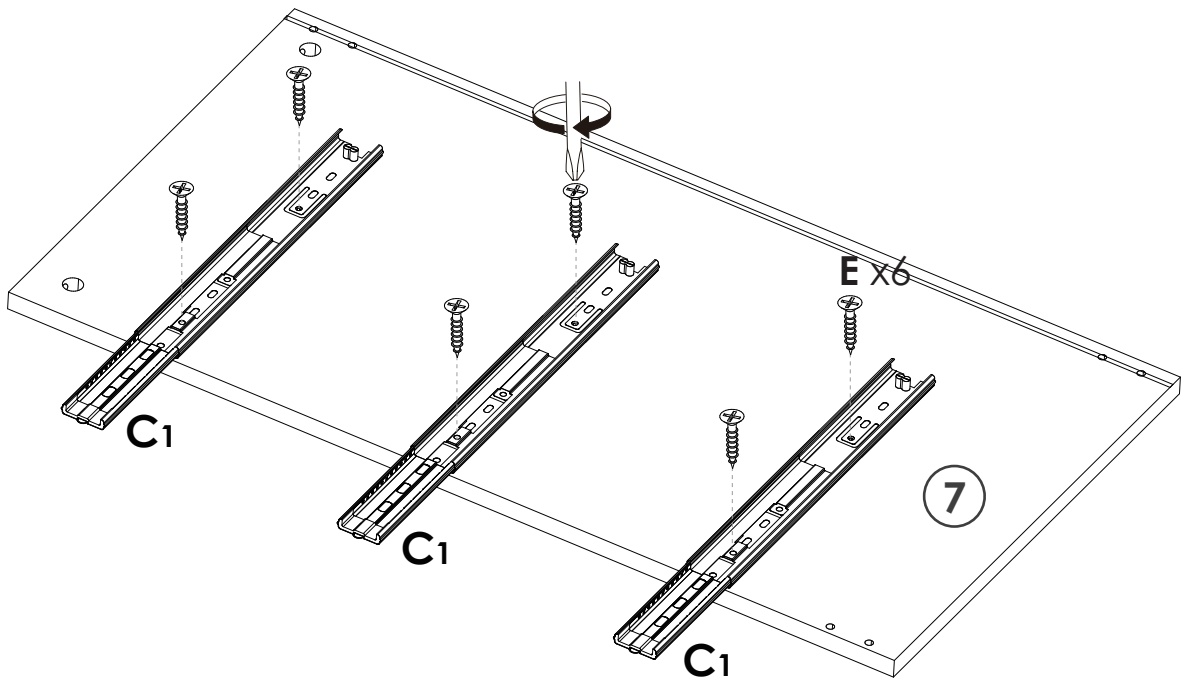
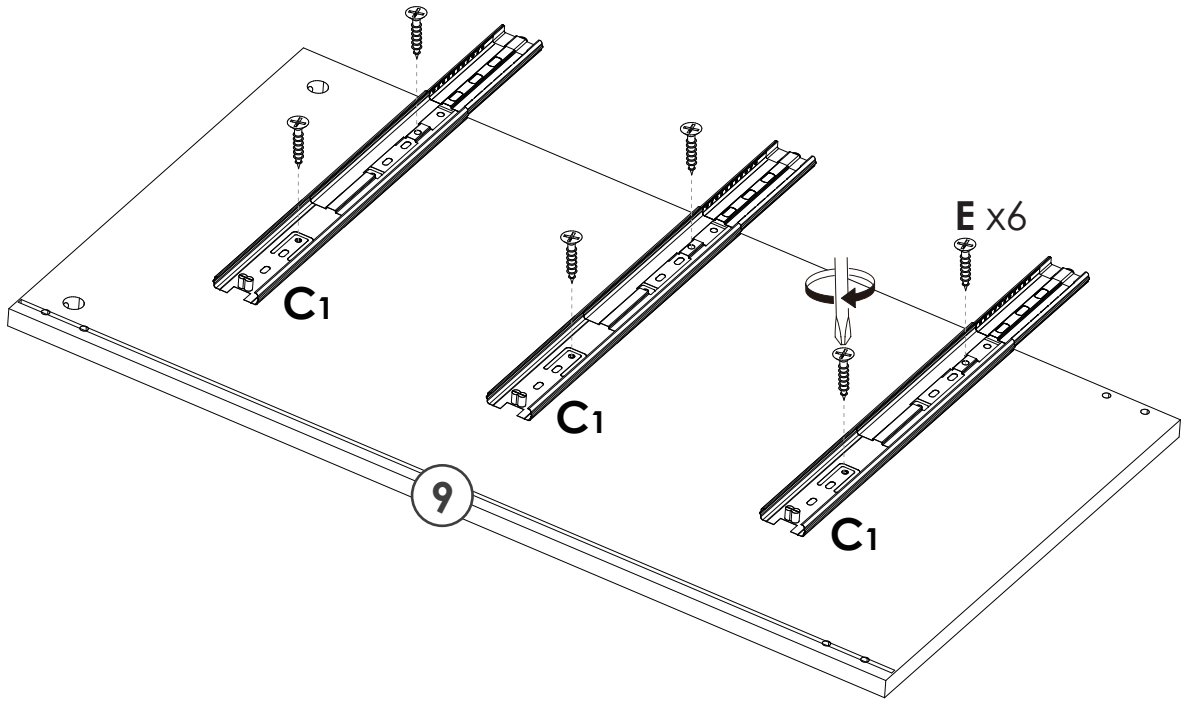
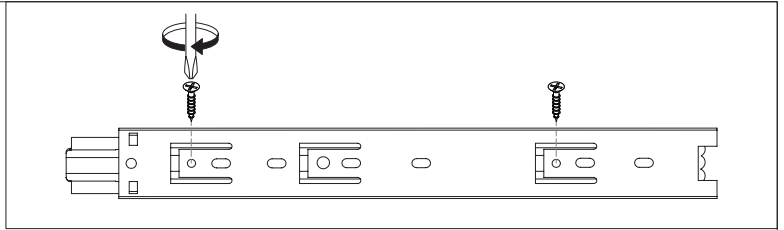


3

YOU WILL NEED

C1 x6

E x12

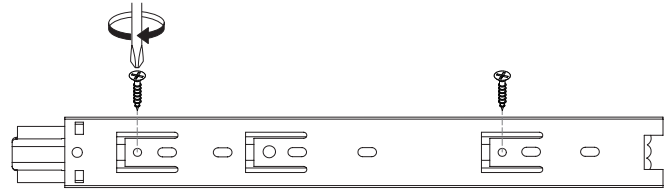


4

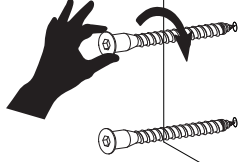
YOU WILL NEED

F x12

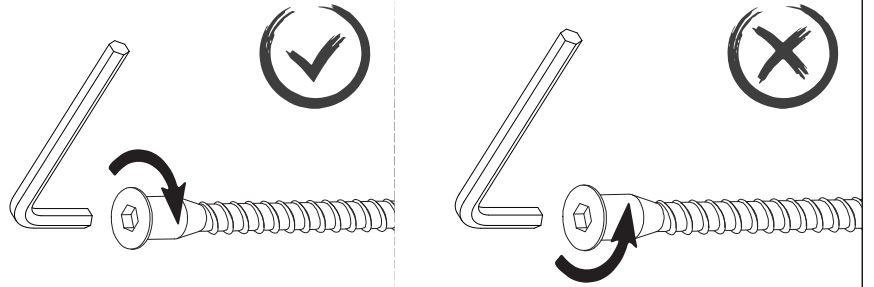
K x1



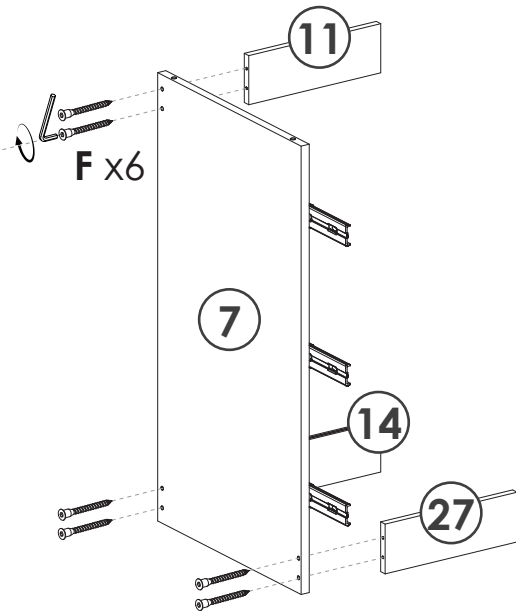
1



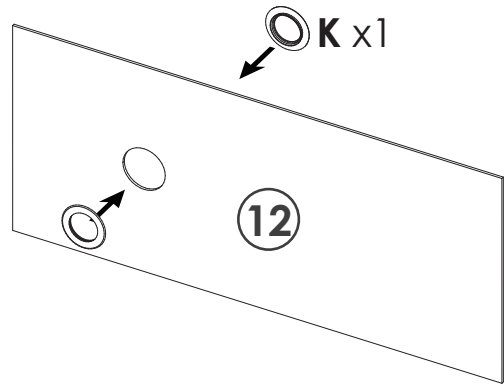
2



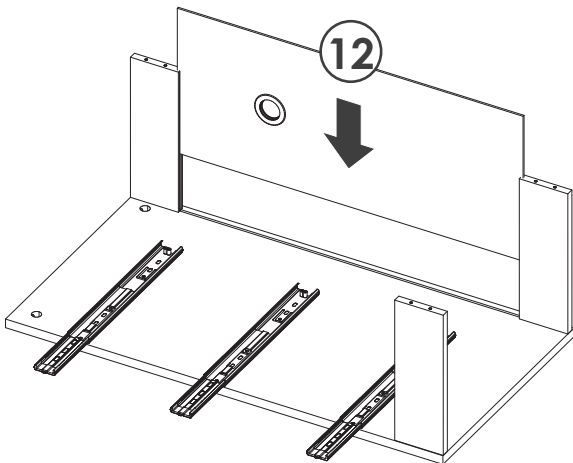
1



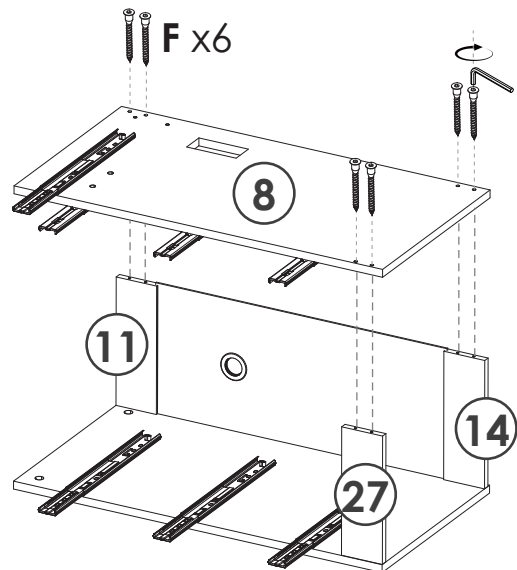
2



3



4

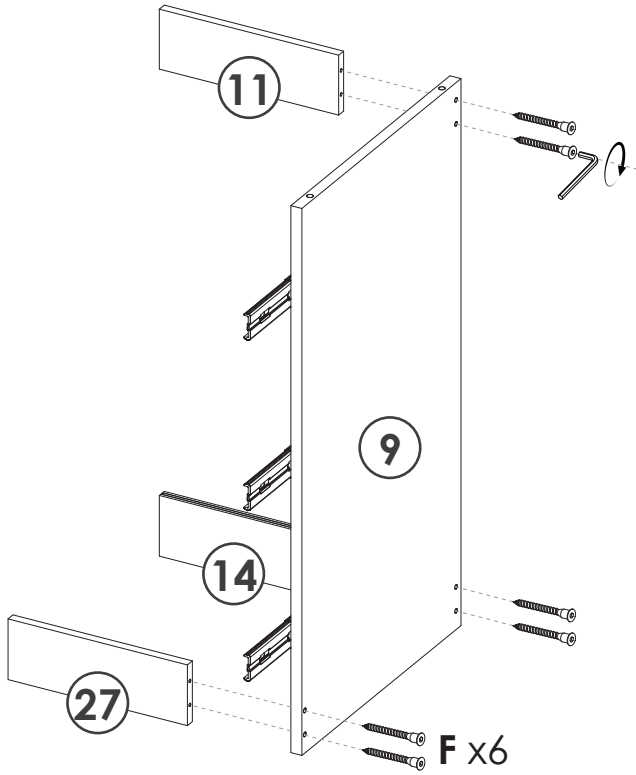


5

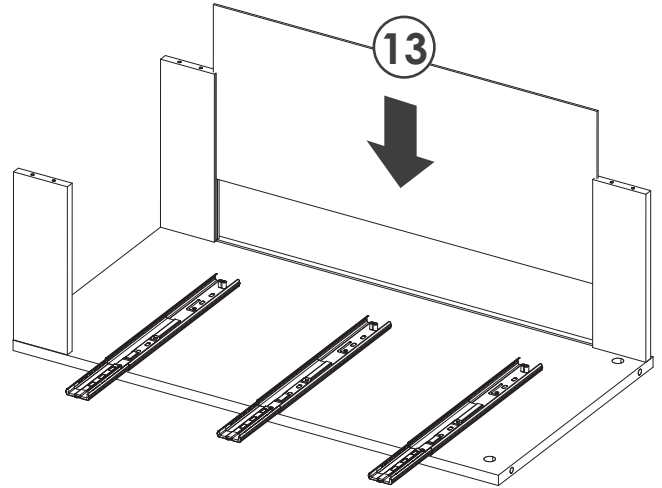
YOU WILL NEED

F x12

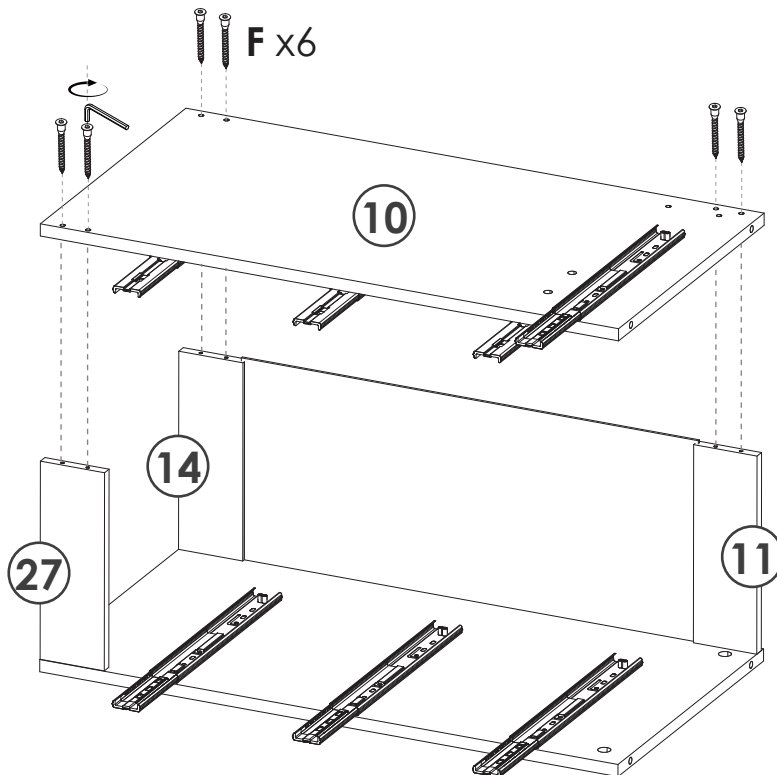
1



2



3



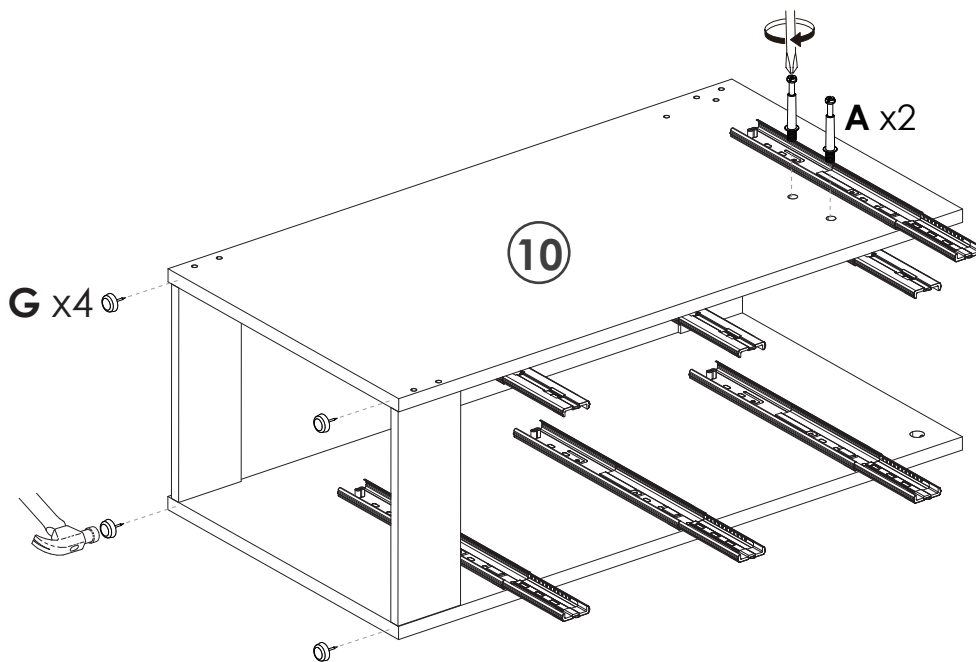
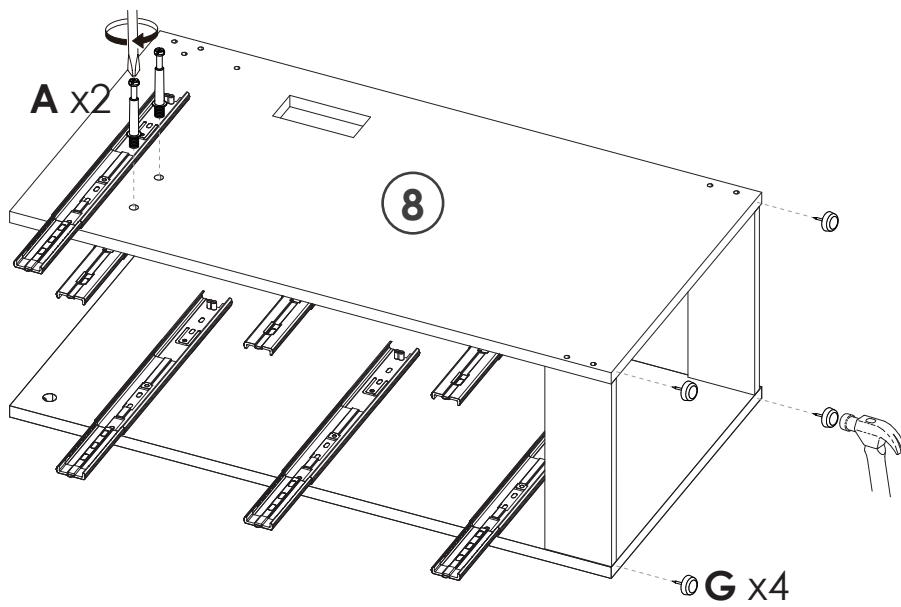
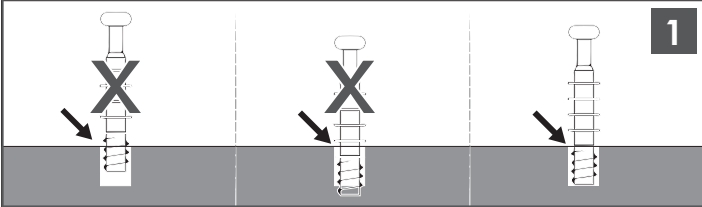
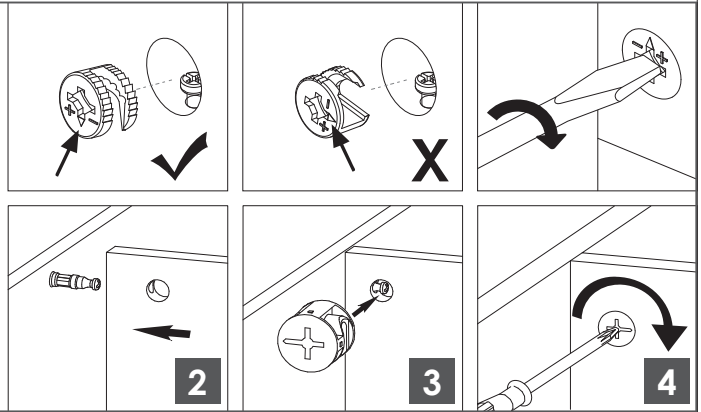
6

YOU WILL NEED

A x4

G x8

Installation method of three  
in one rod and buckle

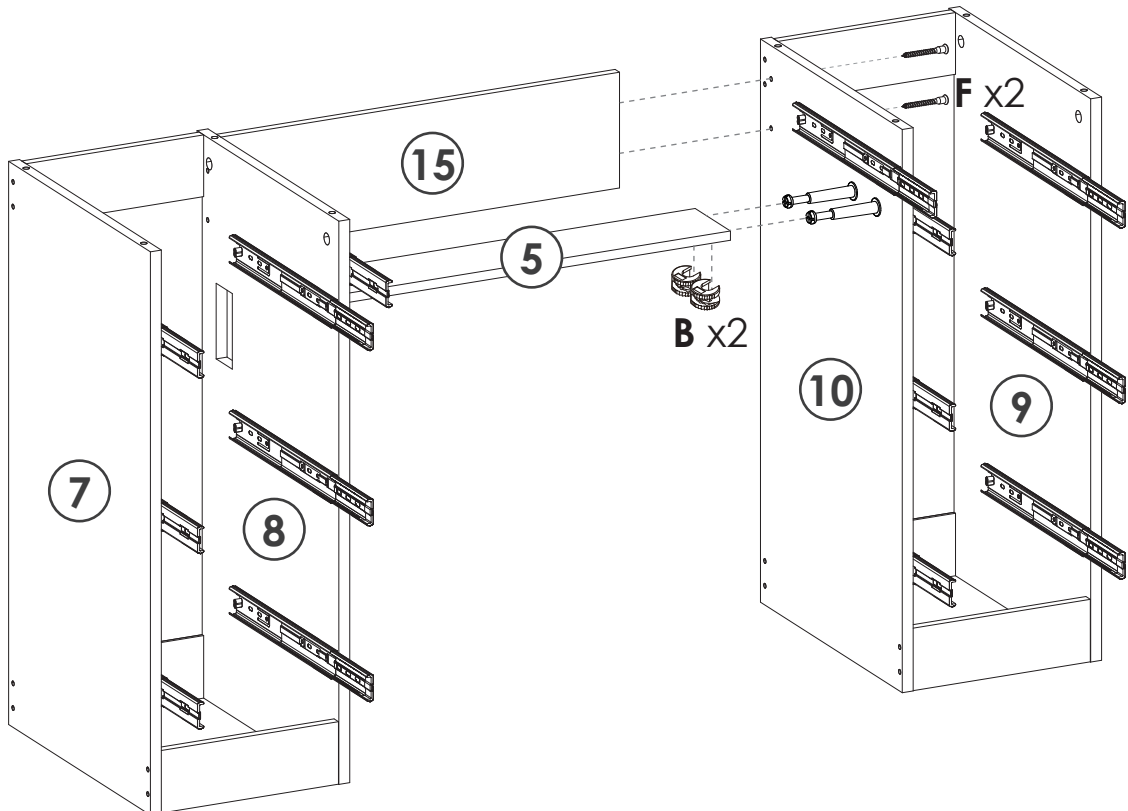
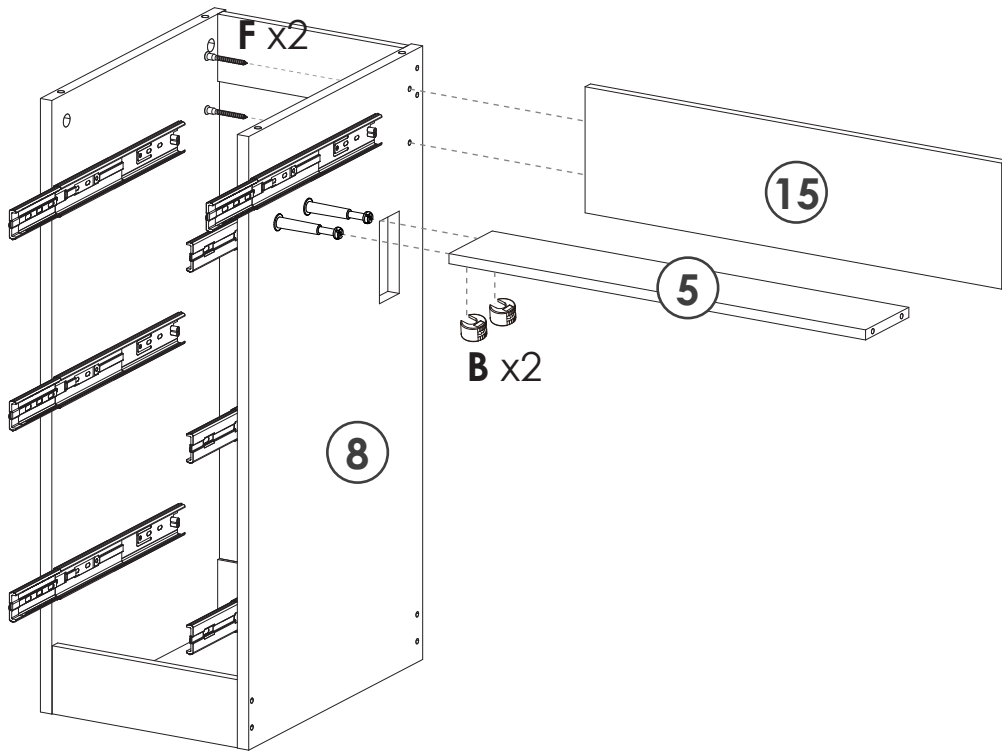


7

YOU WILL NEED

B x4

F x4

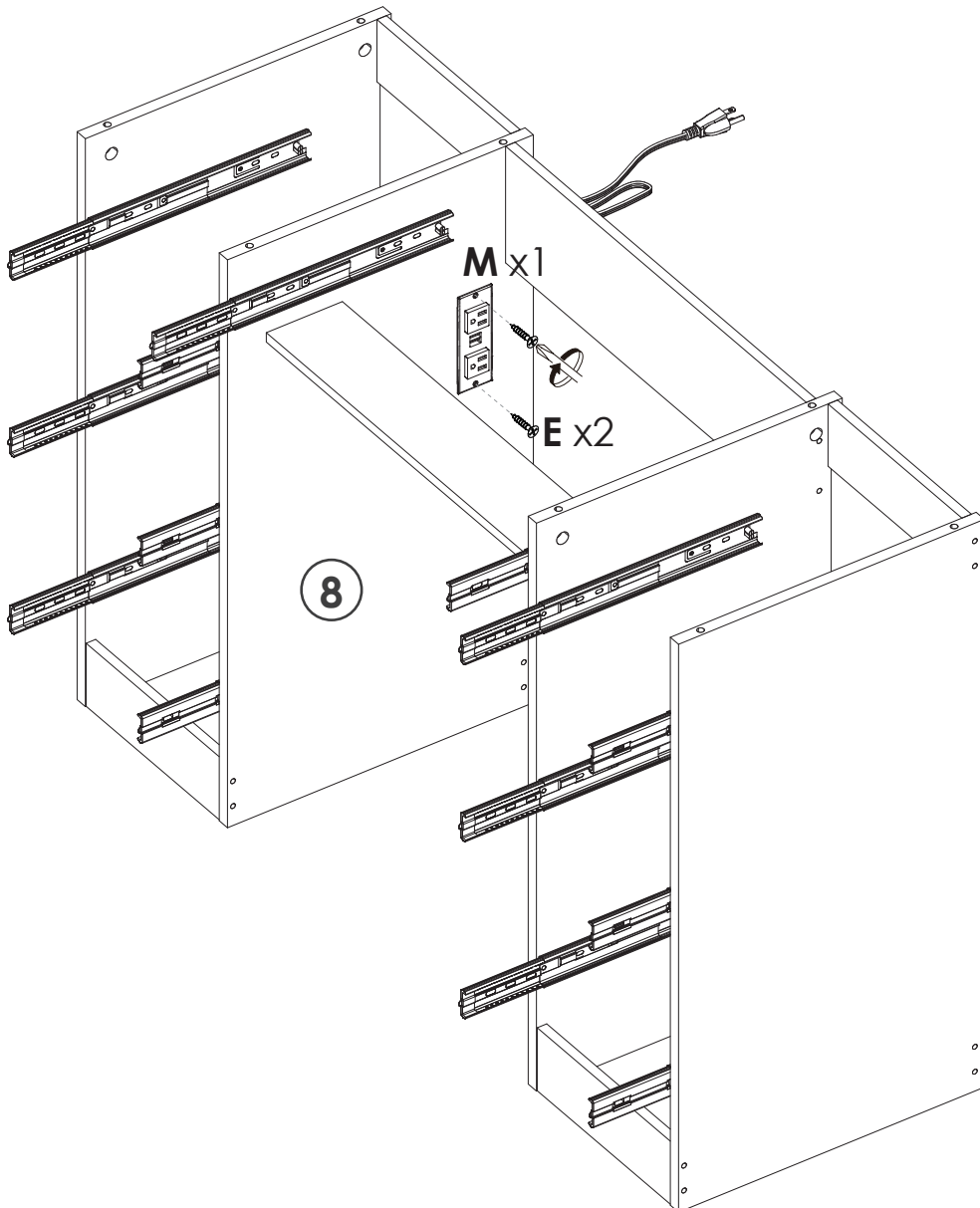
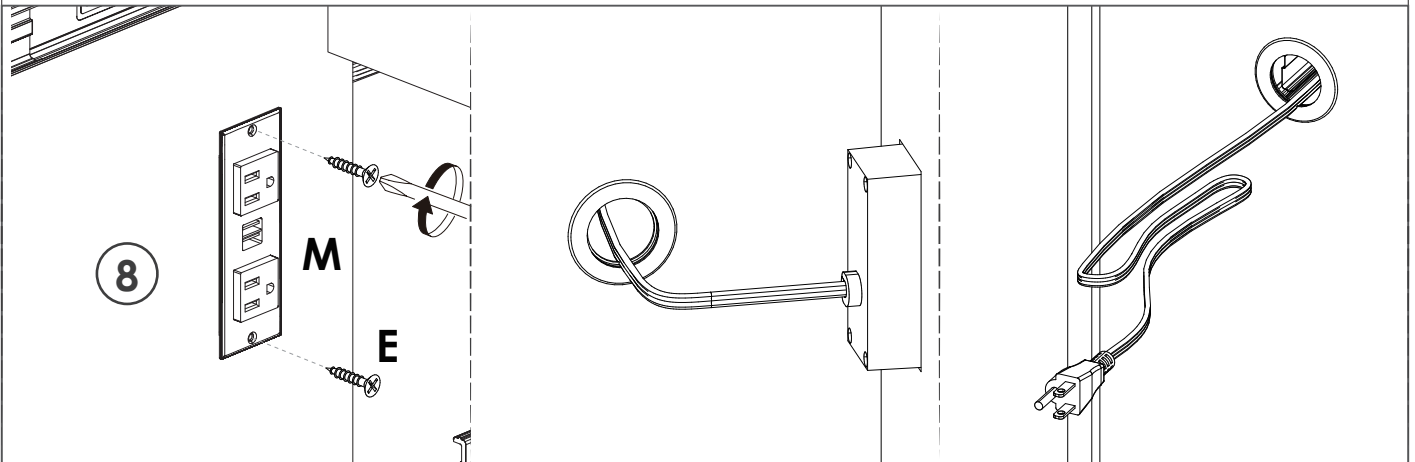


8

YOU WILL NEED

E x2

M x1

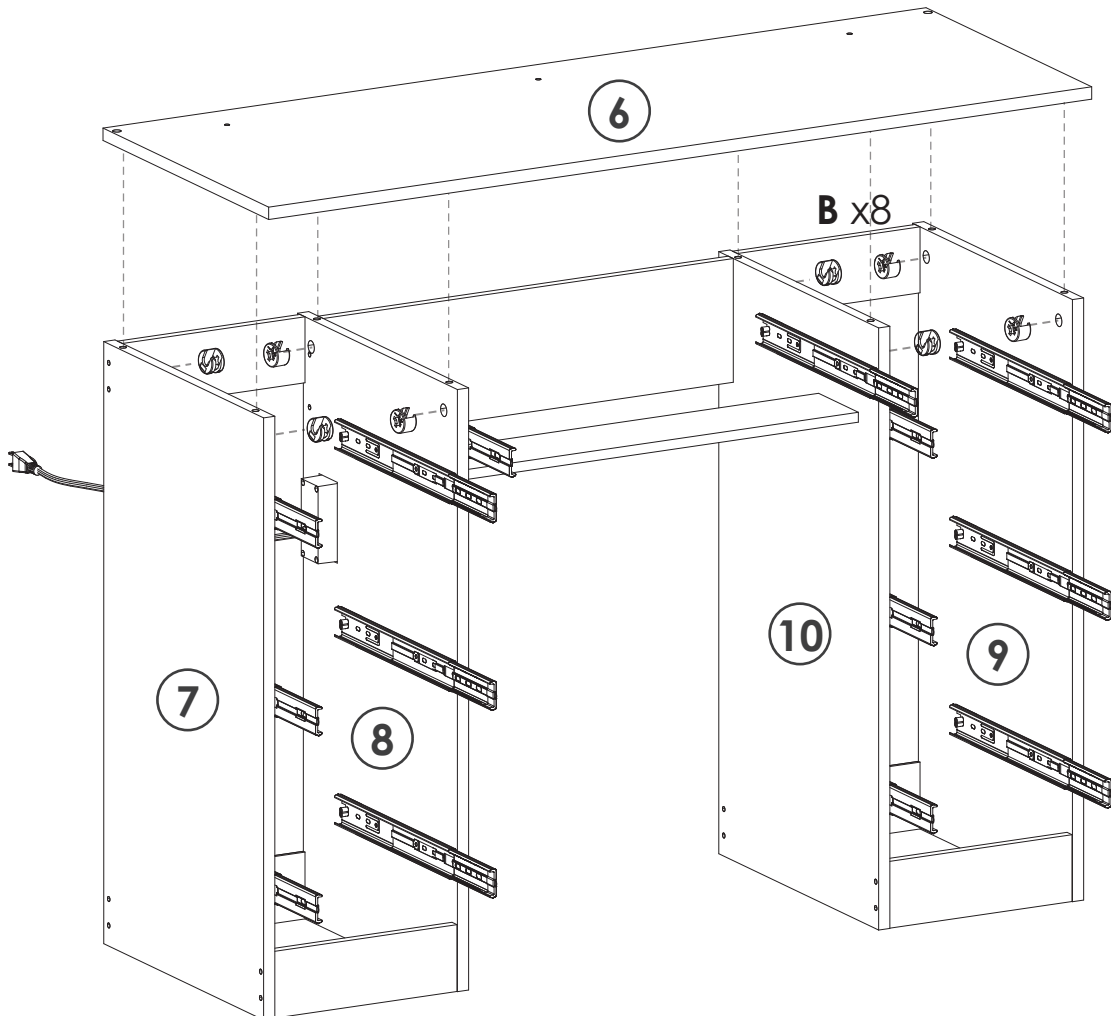
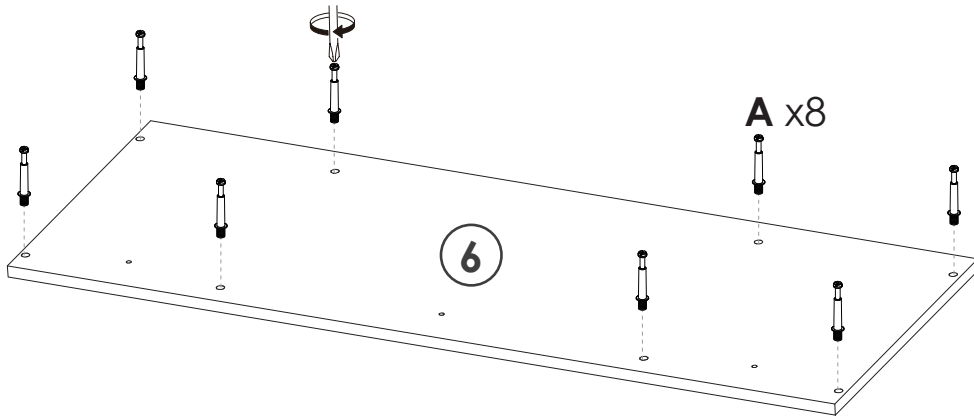


9

YOU WILL NEED

A x8

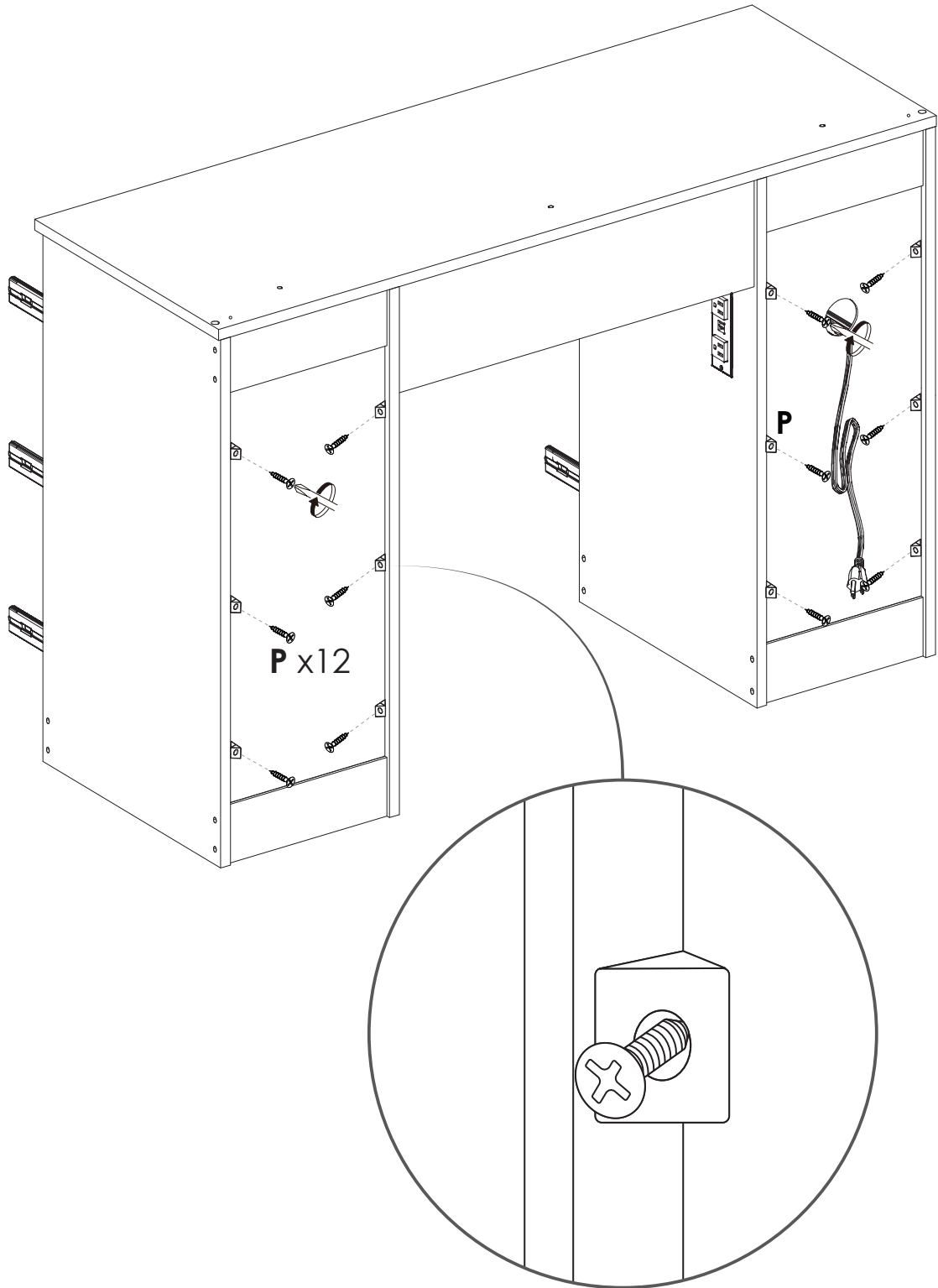
B x8



10

YOU WILL NEED

P x12



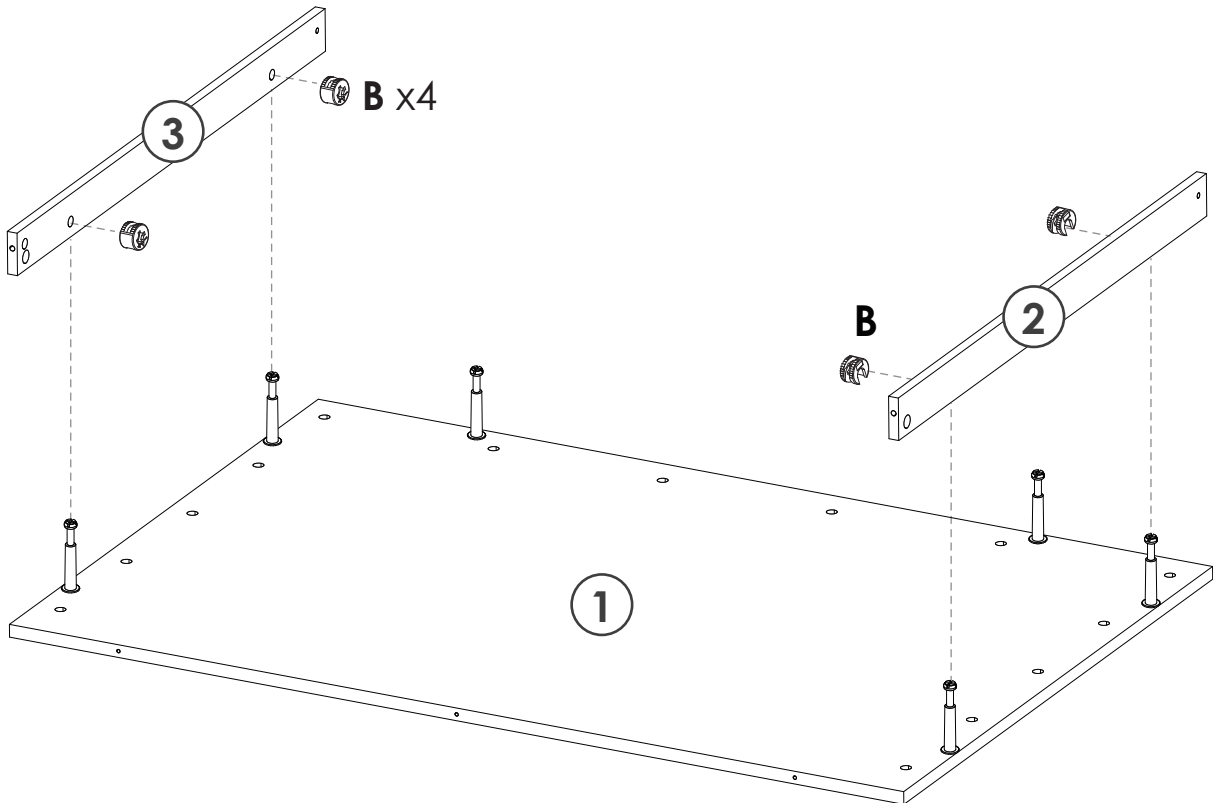
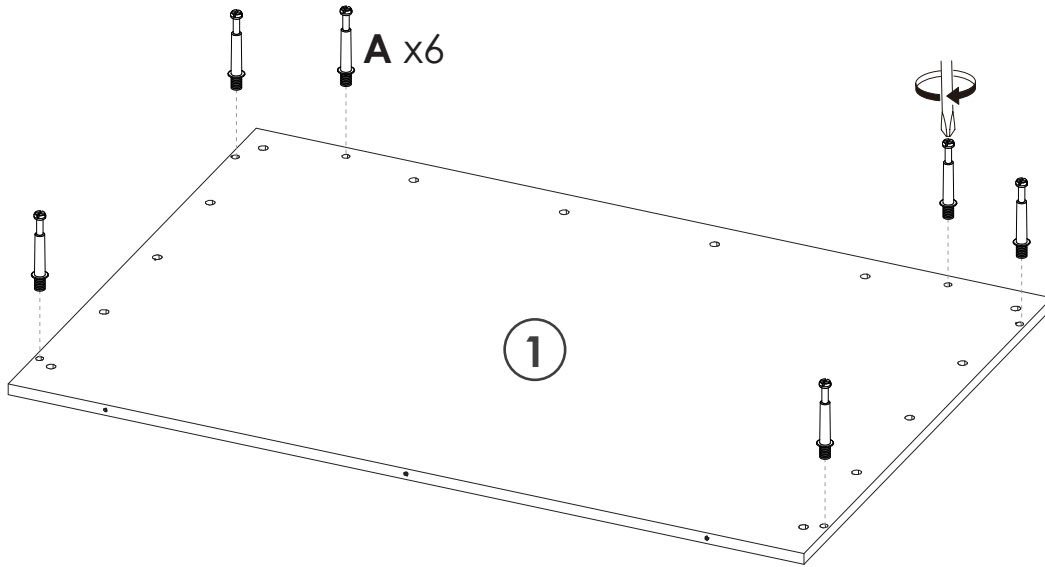
11

YOU WILL NEED

A x6

B x4

Please place the mirror on a soft mat to avoid scratches.

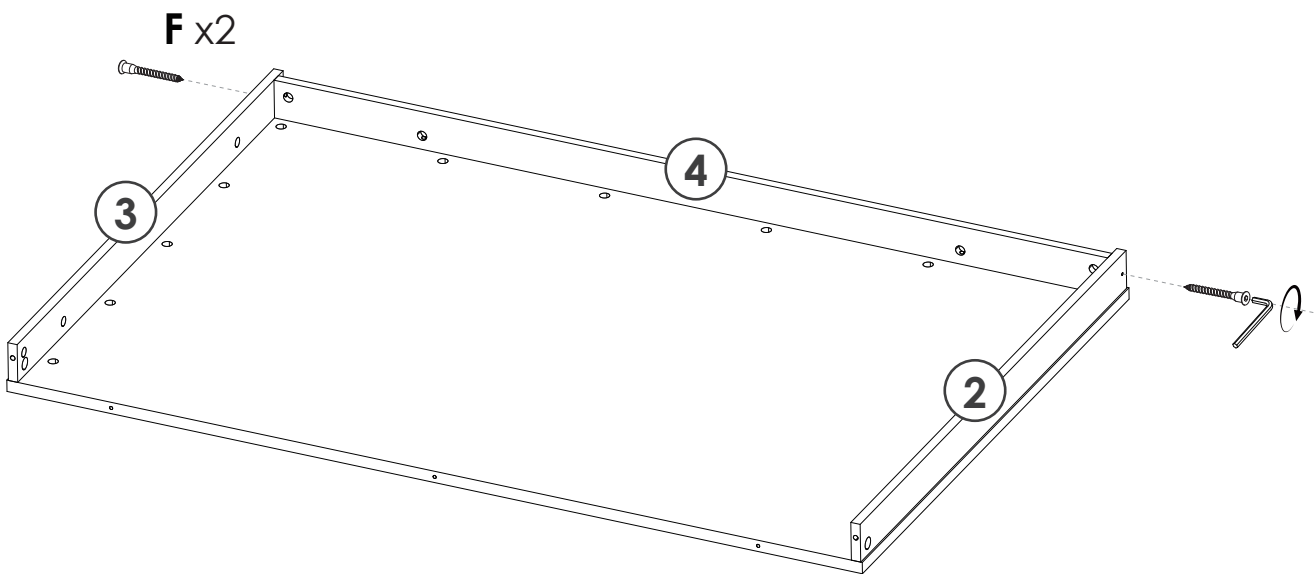
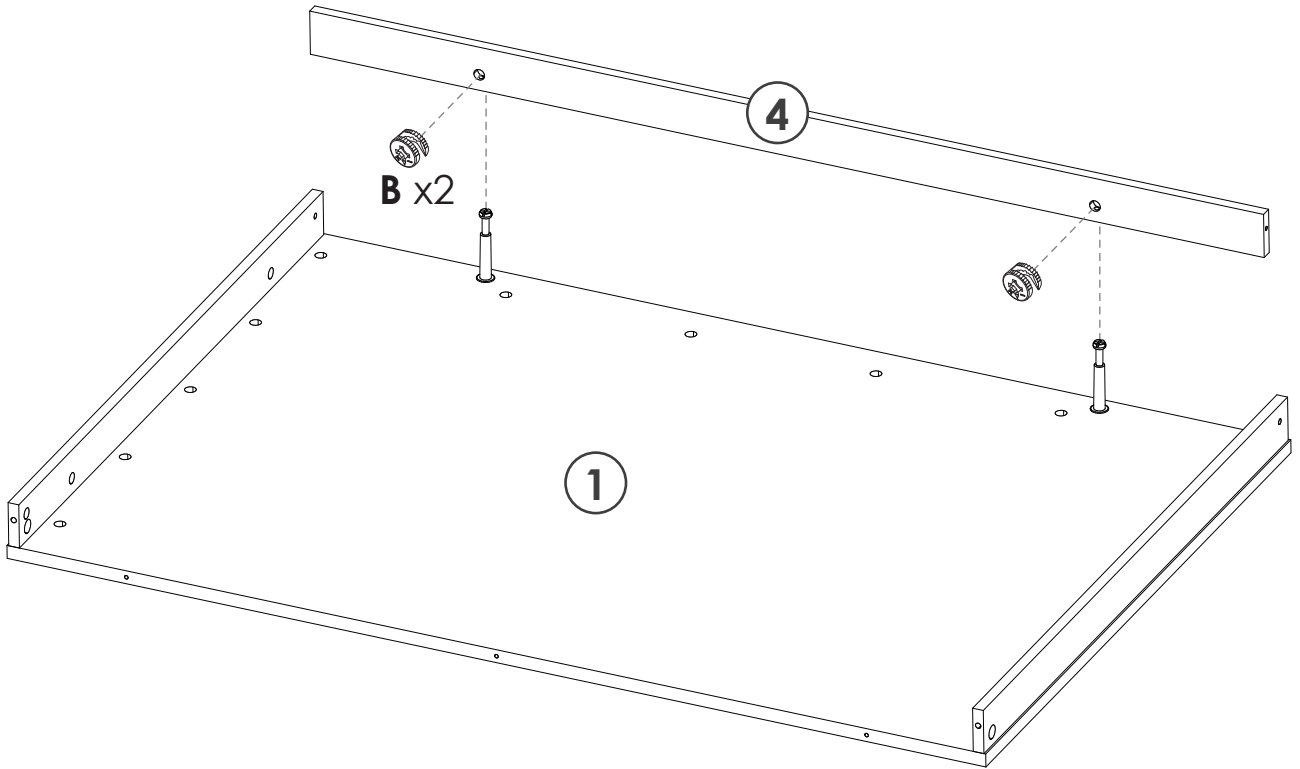


12

YOU WILL NEED

B x2

F x2

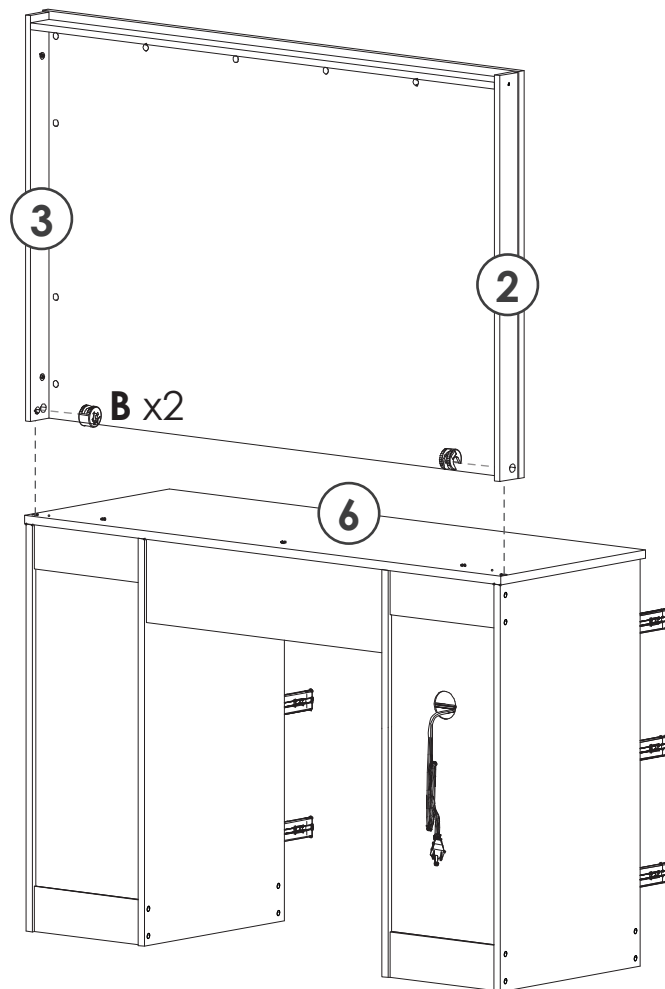
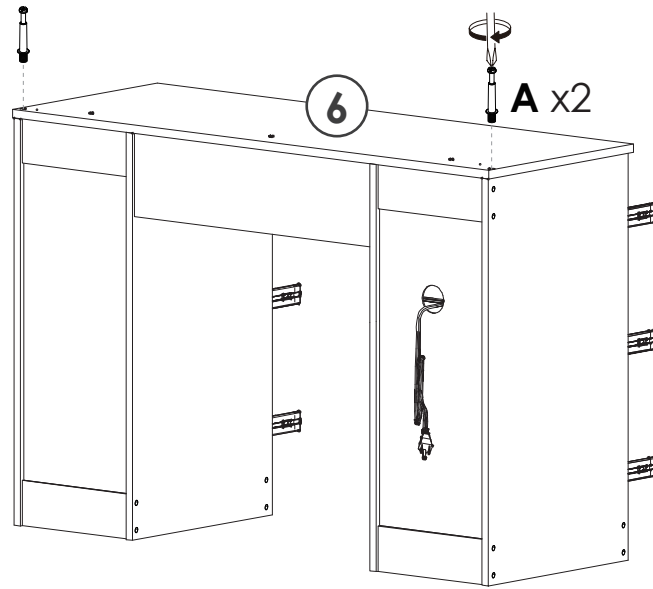


13

YOU WILL NEED

A x2

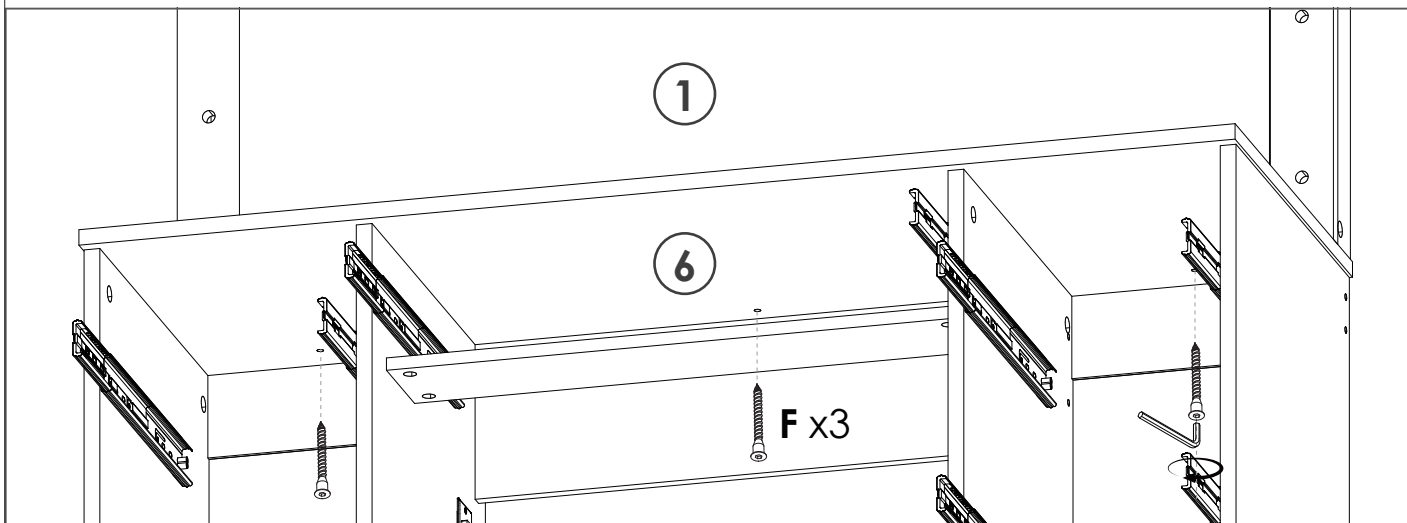
B x2



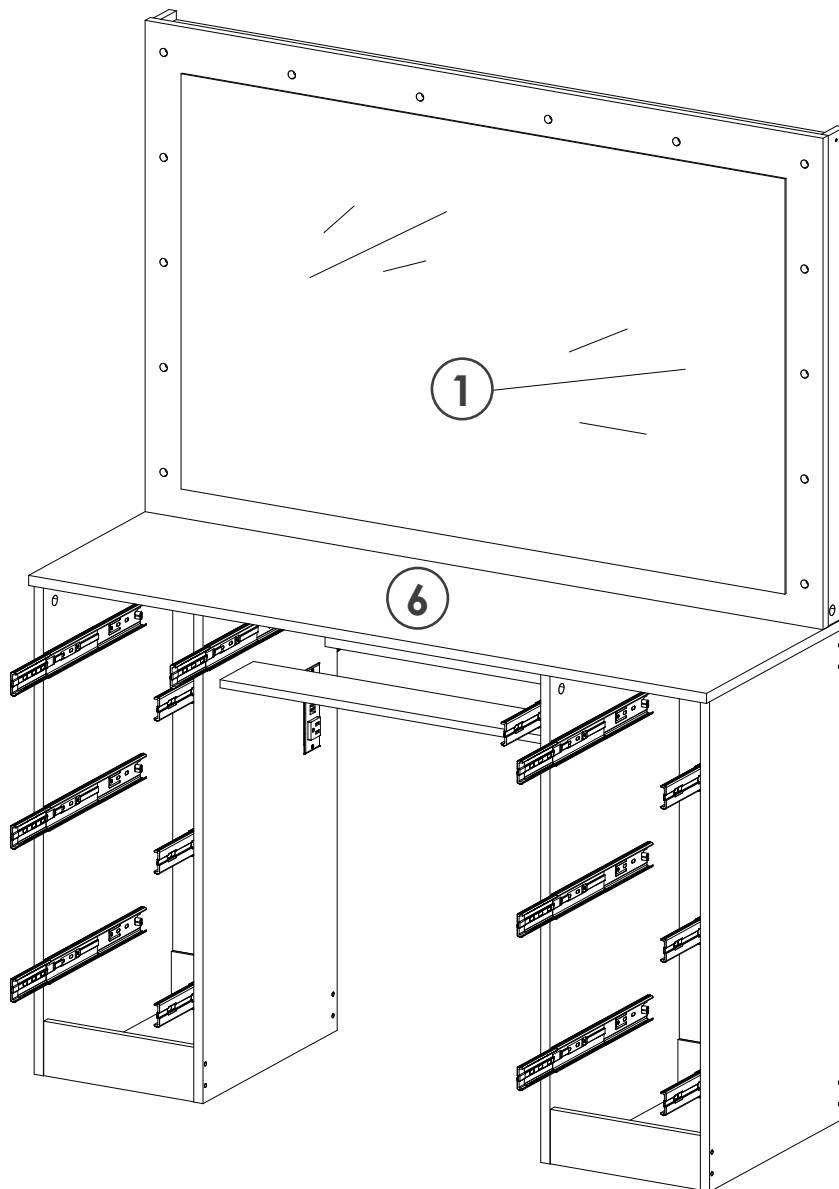
14

YOU WILL NEED

F x3



View from below



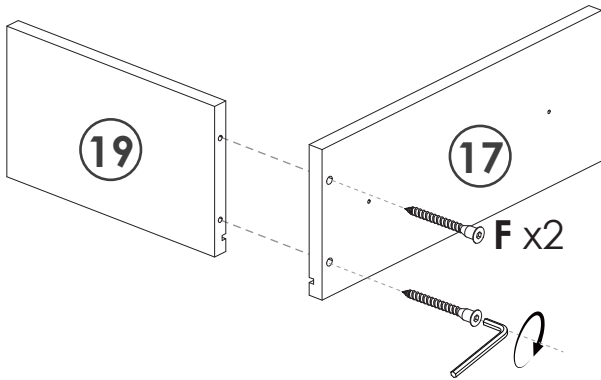
15

YOU WILL NEED

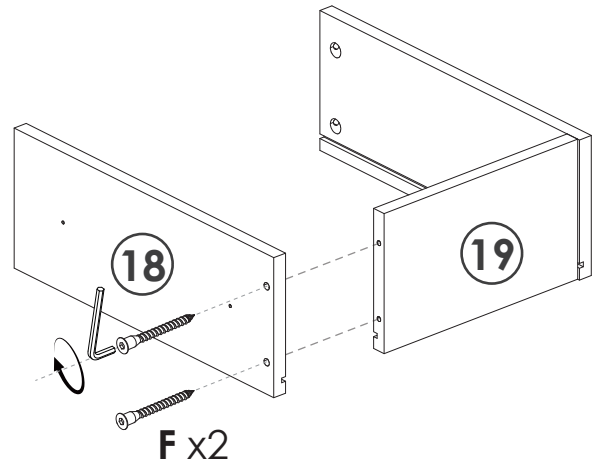
A x24

F x24

1

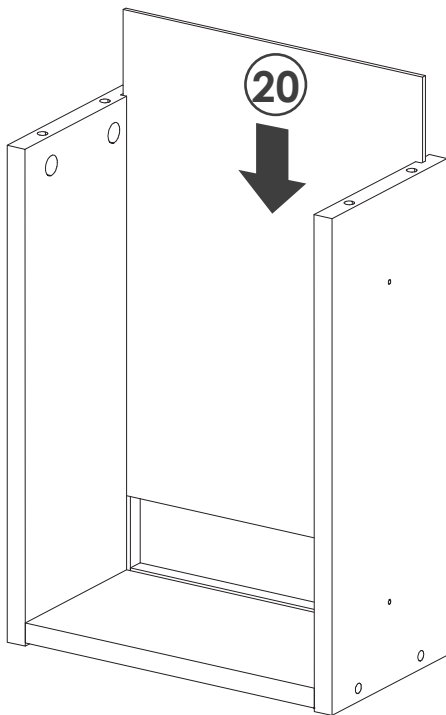


2

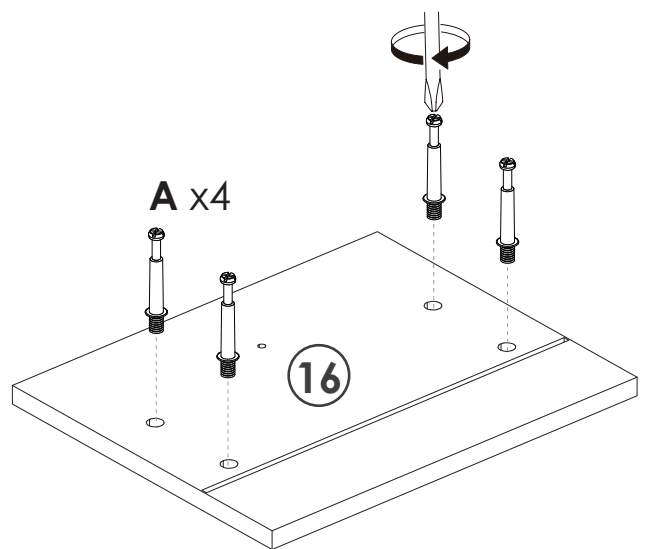


x6

3



4

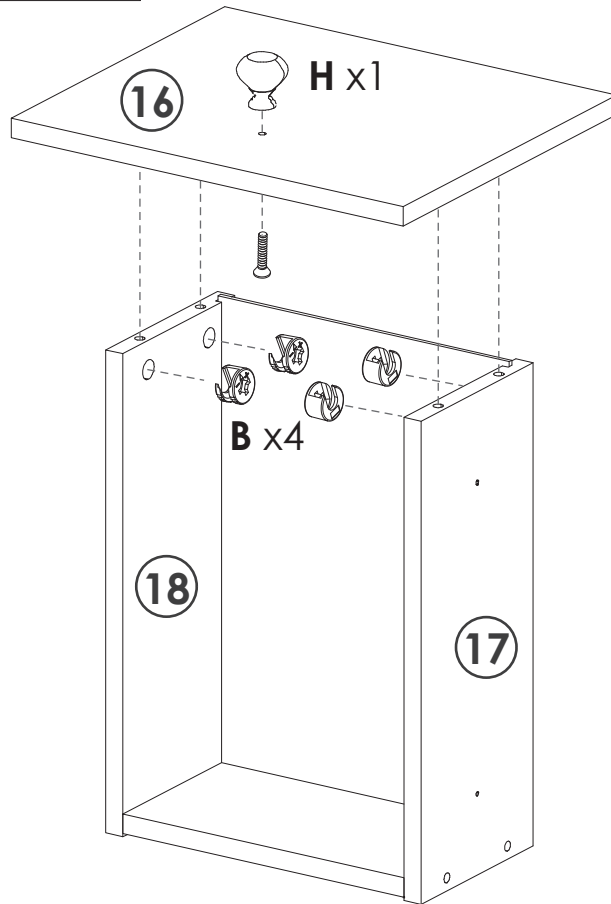


16

YOU WILL NEED

B x24

H x6

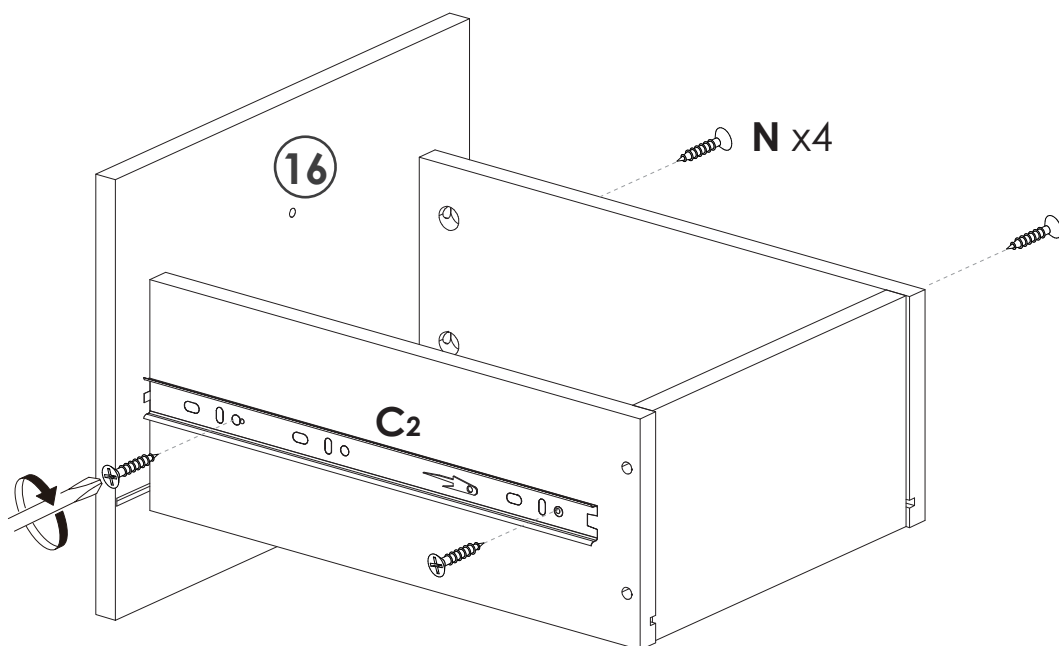
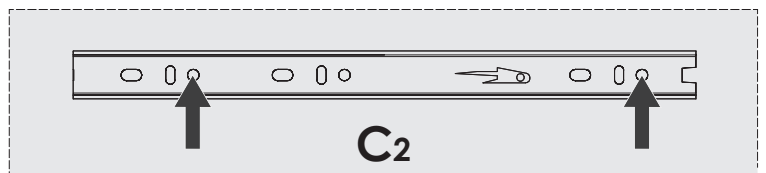


x6

YOU WILL NEED

C2 x12

N x24



x6

17

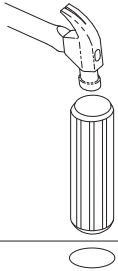
YOU WILL NEED

A x4

D x4

F x4

1



2



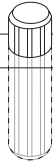
X



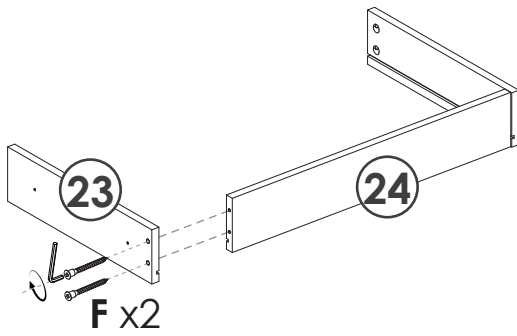
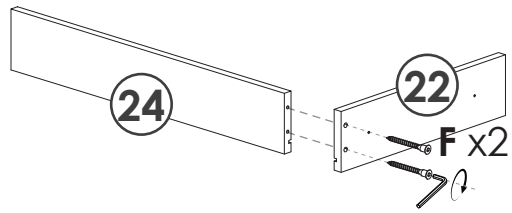
X



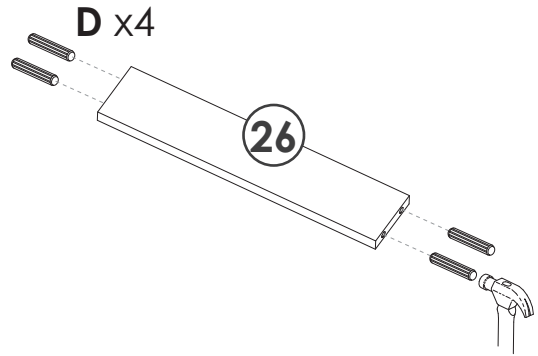
✓



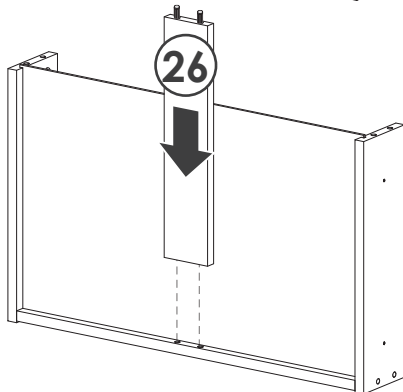
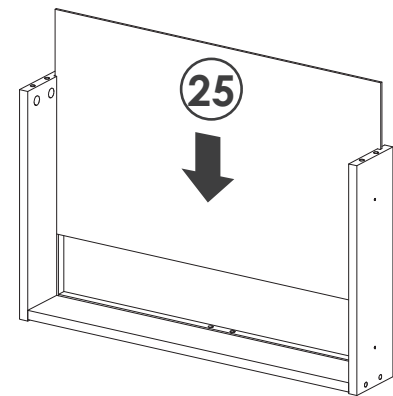
1



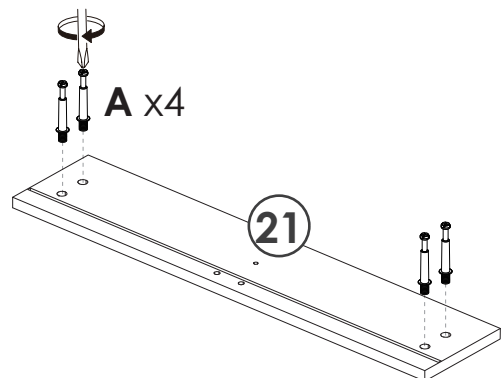
2



3



4

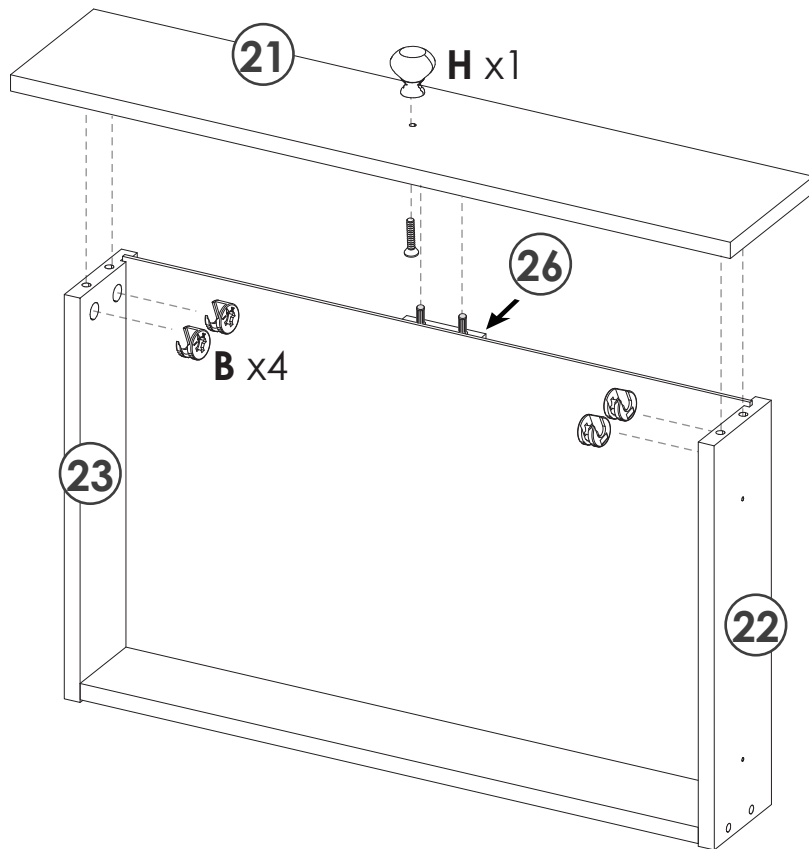


18

YOU WILL NEED

B x4

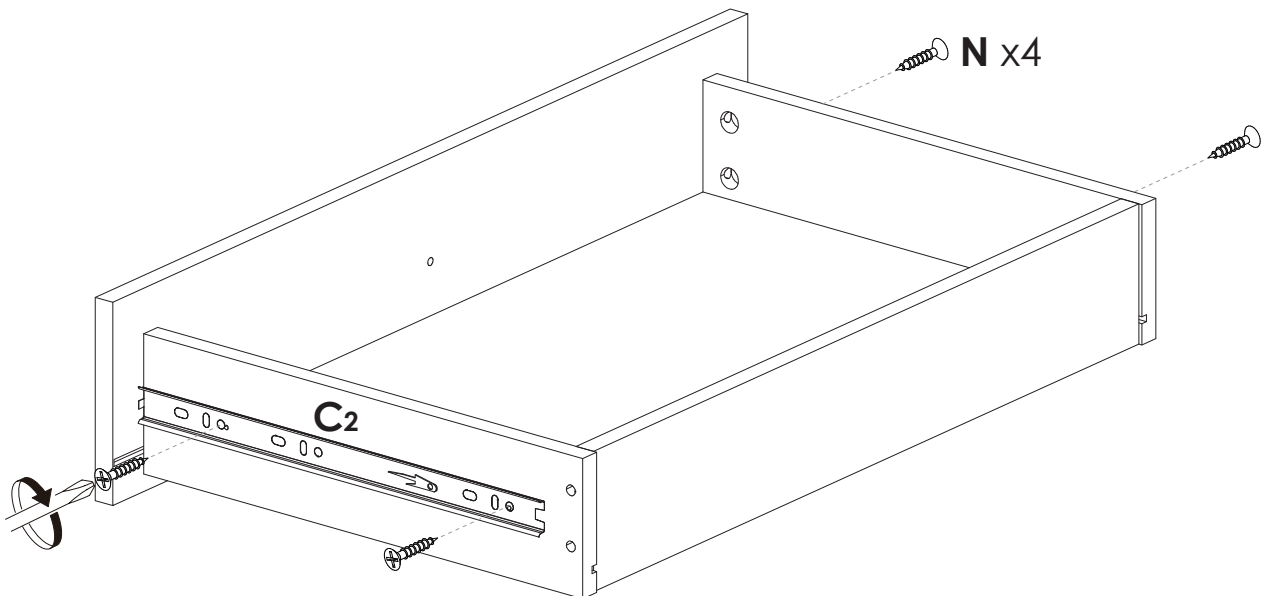
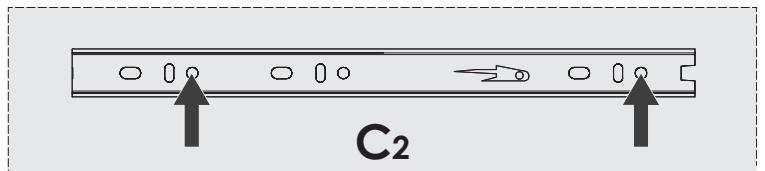
H x1



YOU WILL NEED

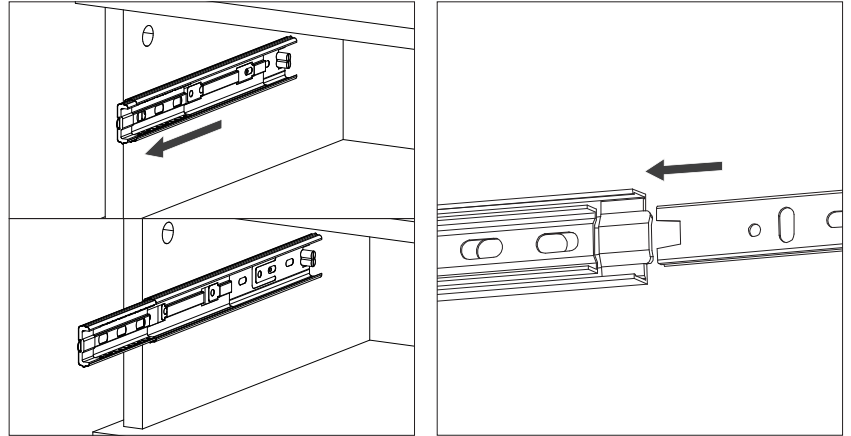
N x4

C<sub>2</sub> x2



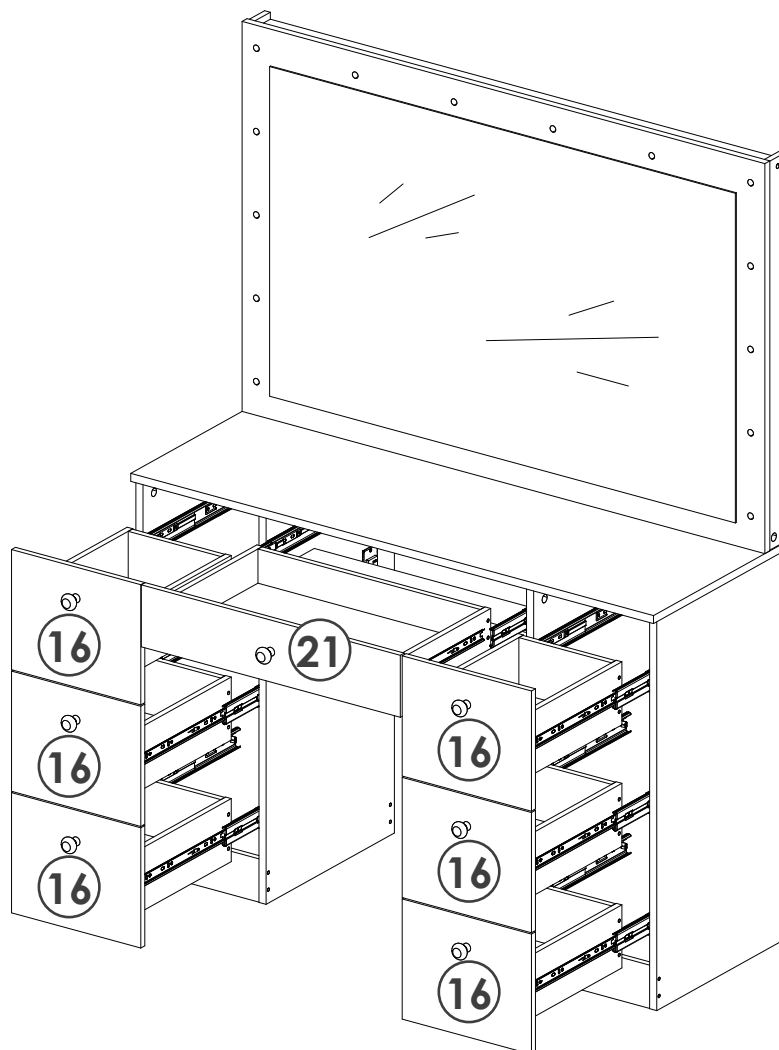
**REMARK:** Align the slide runners on the drawer with the unit and push it carefully inside until it stops.

★ If the drawer does not go in smoothly please take it out and repeat the step.



**REMARK:**

1. First, slide the slide and ball on both sides of the slide to the outside.
2. when installing the drawer, align both sides first, and then push both sides inward at the same time.



20

YOU WILL NEED

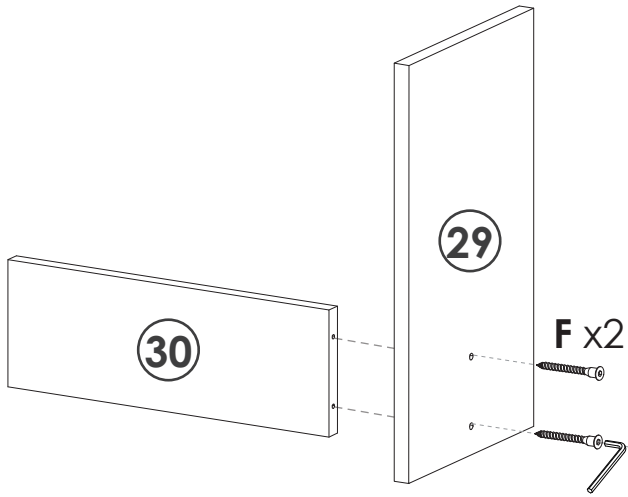
A x4

B x4

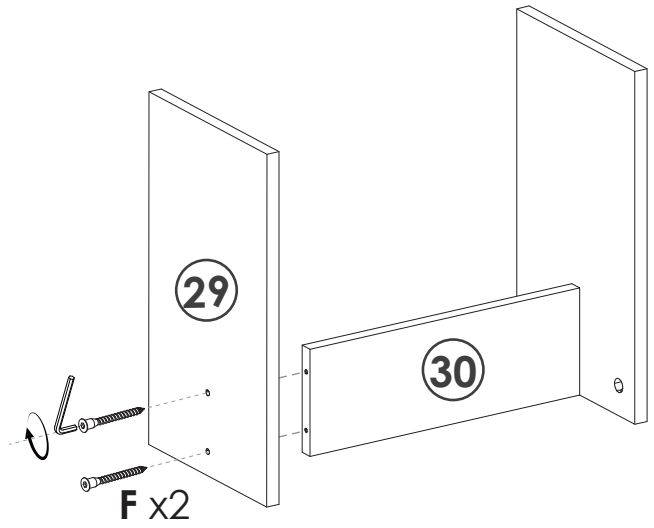
F x4

G x4

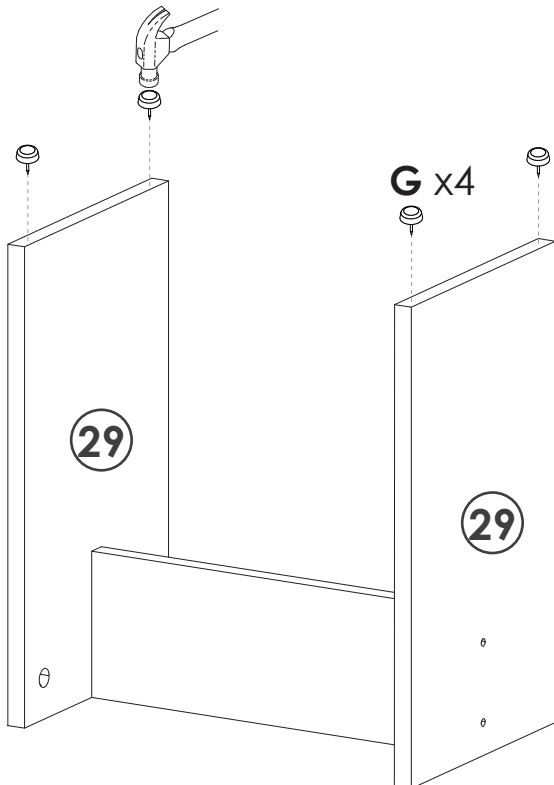
1



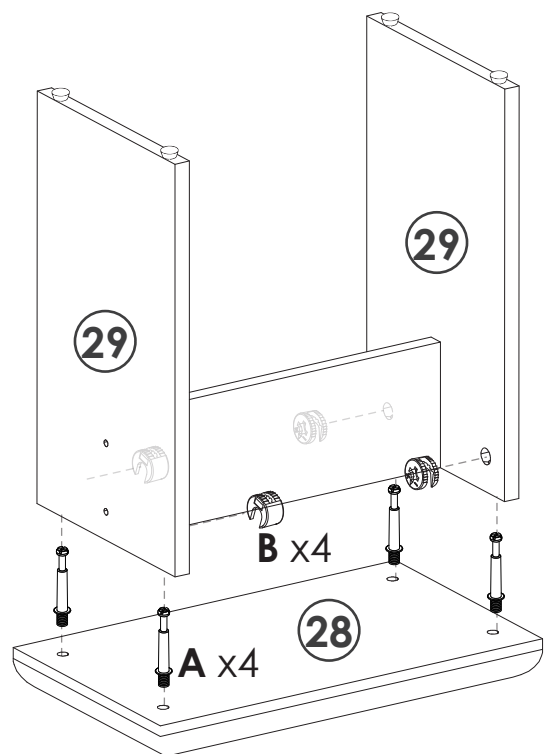
2

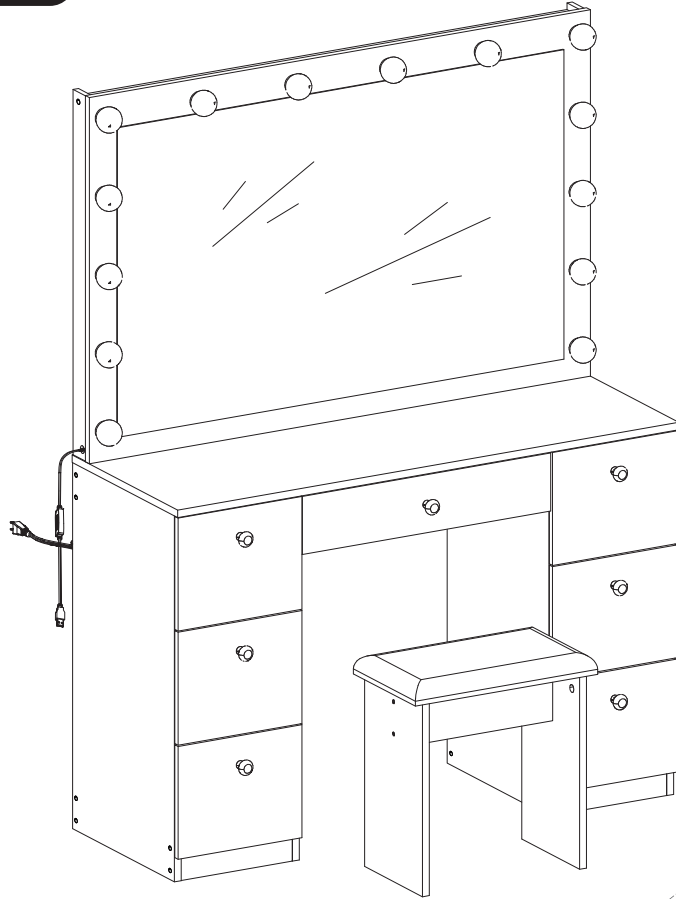


3



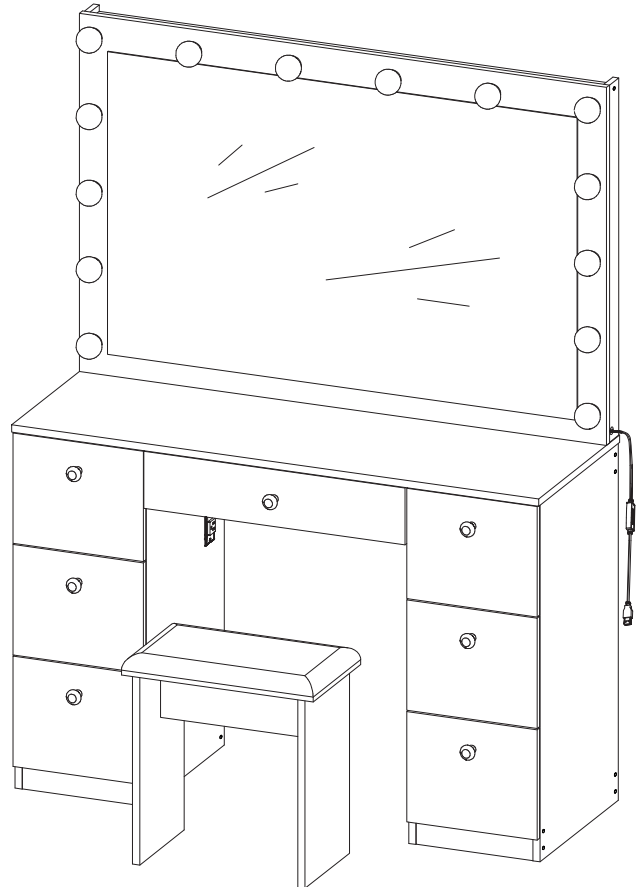
4





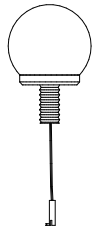
The light strip can be installed on the left or right according to your needs.

or



YOU WILL NEED

Q x1



x1 PC

Install the  
frist bulb

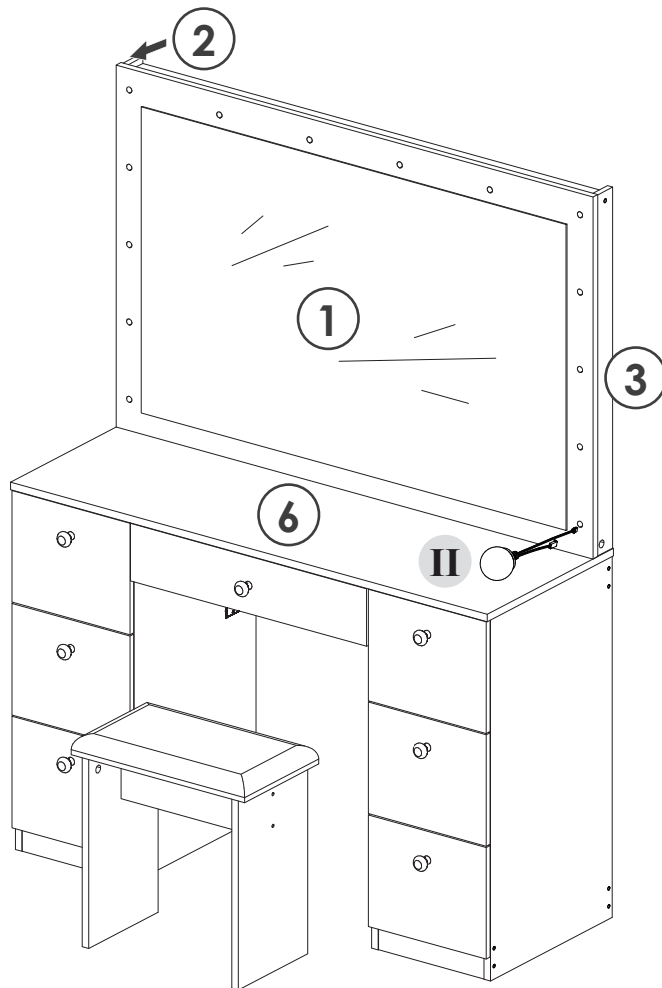
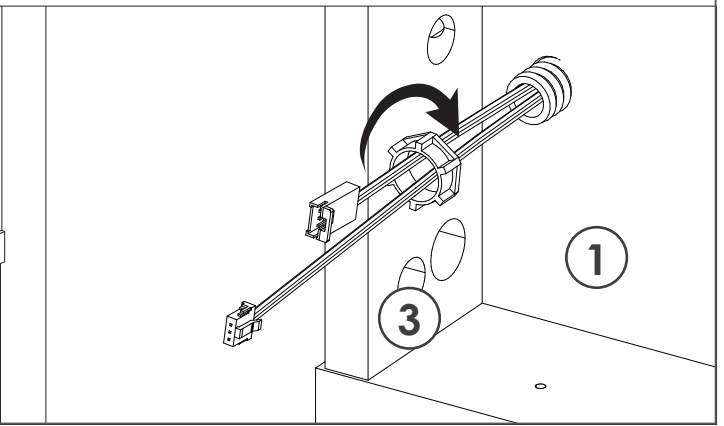
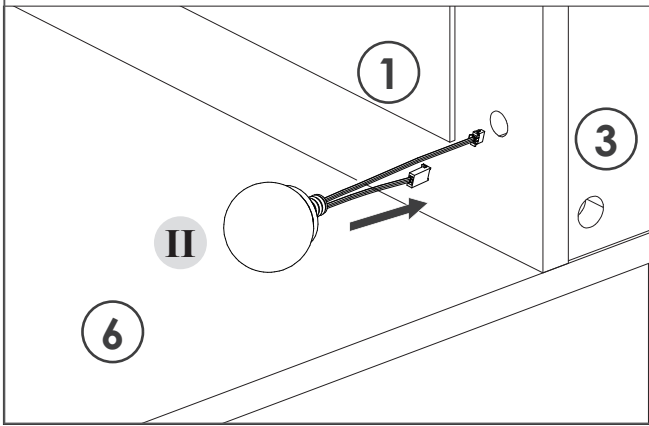
I



x13 PC

Install the  
other bulbs  
(13 pcs)

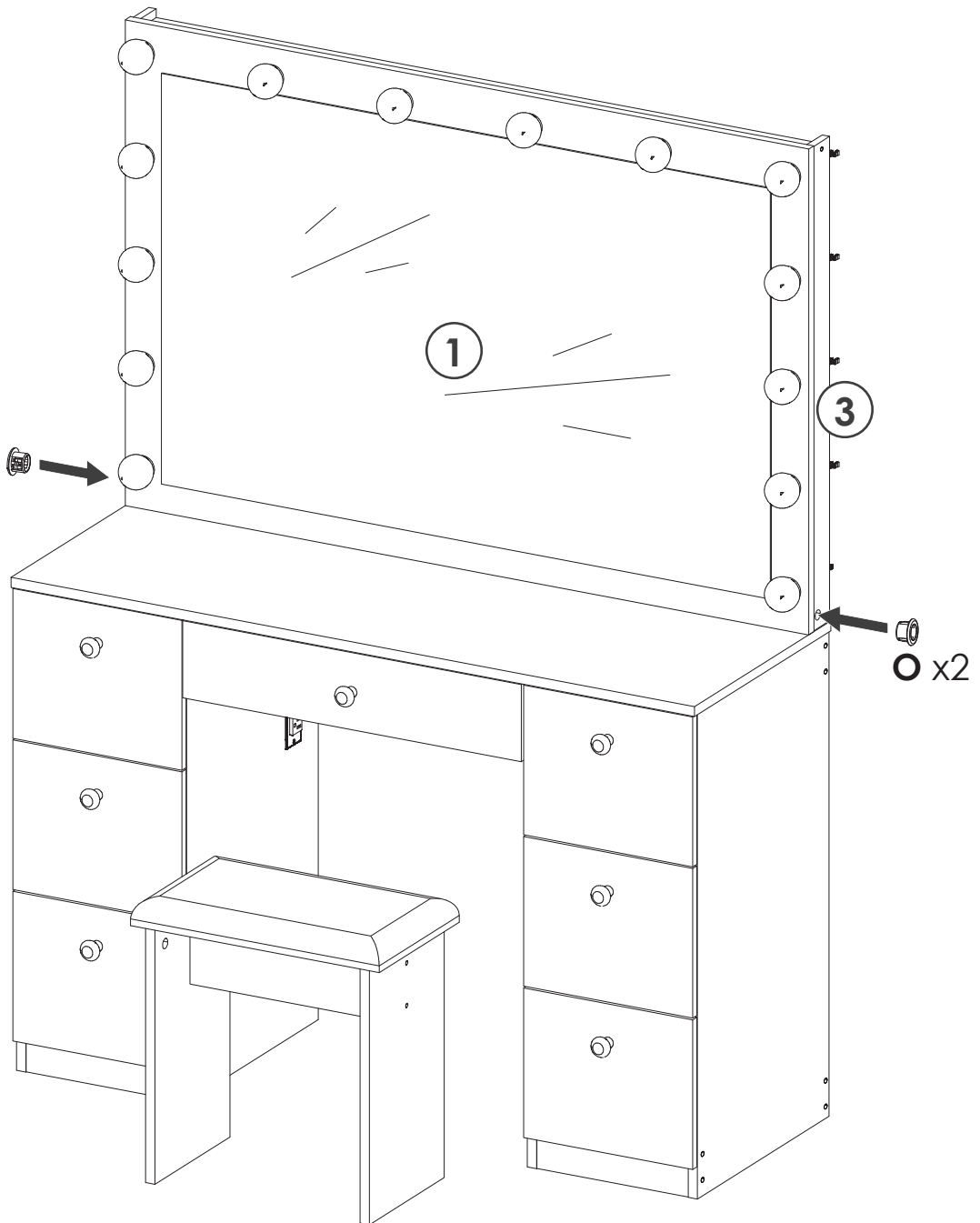
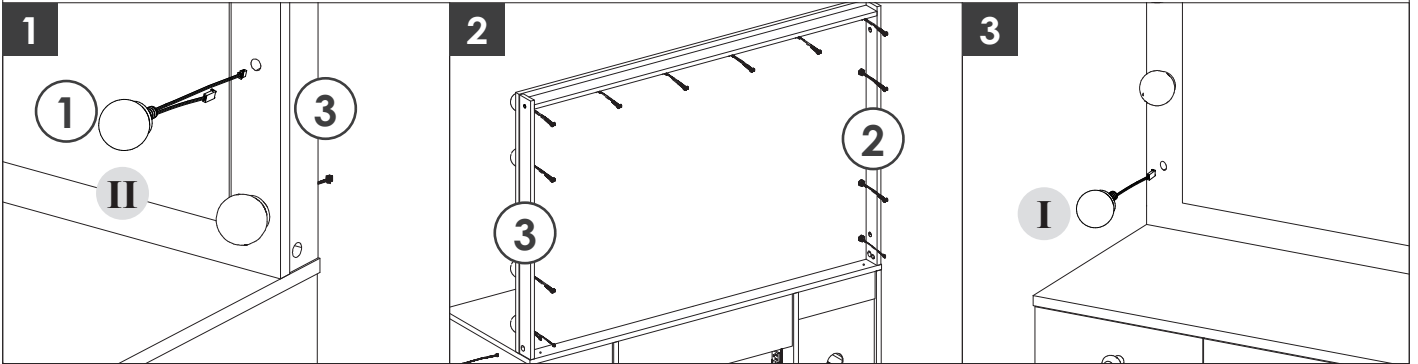
II

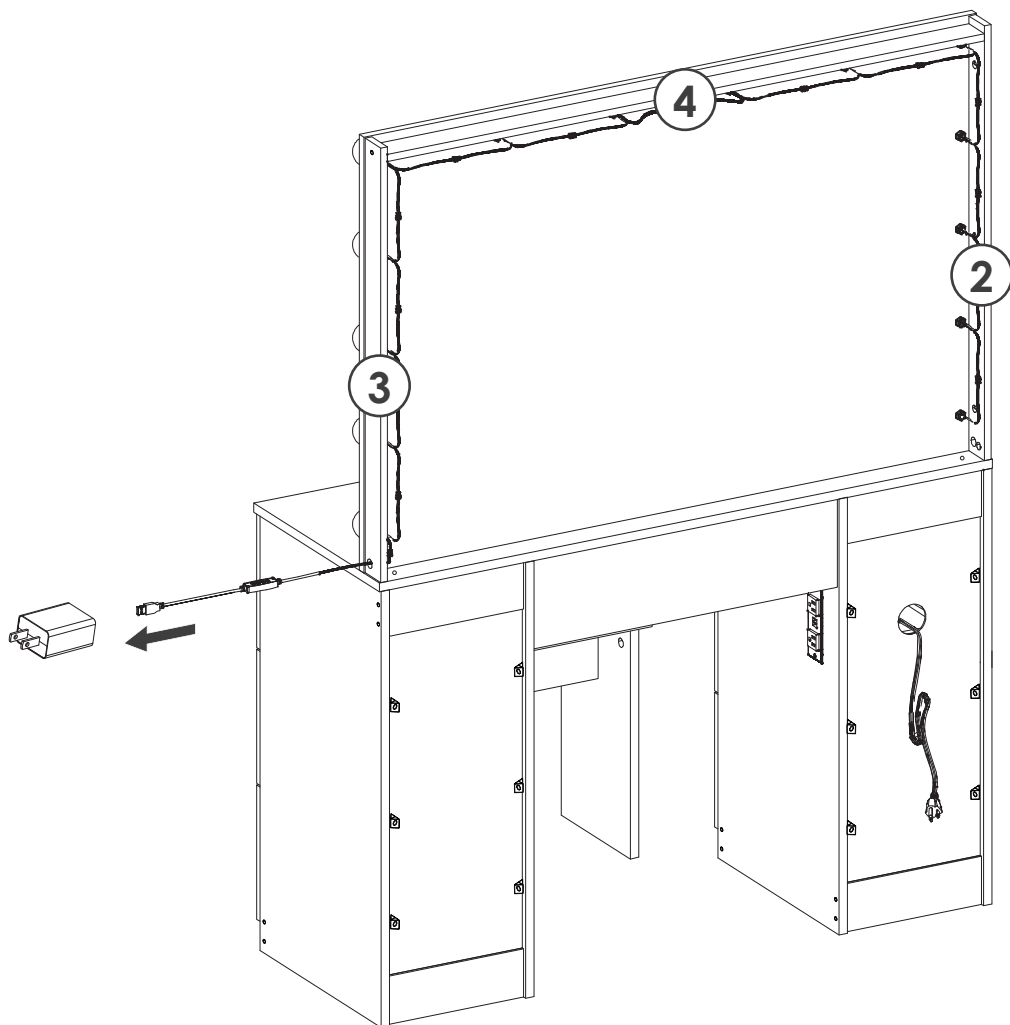
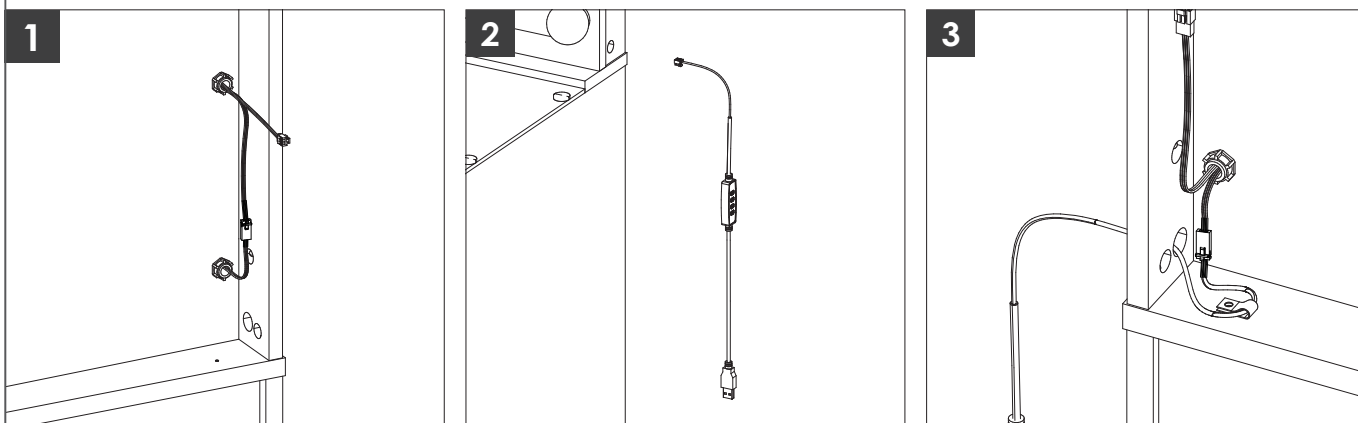
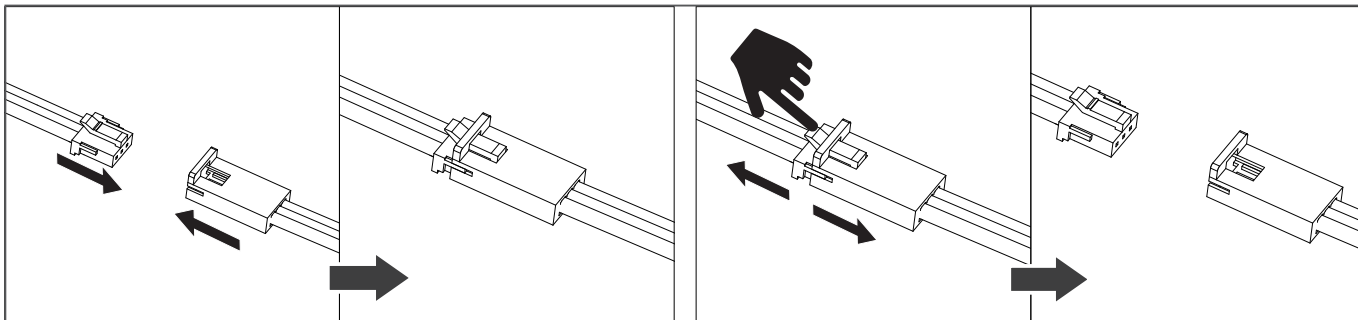


23

YOU WILL NEED

○ x2

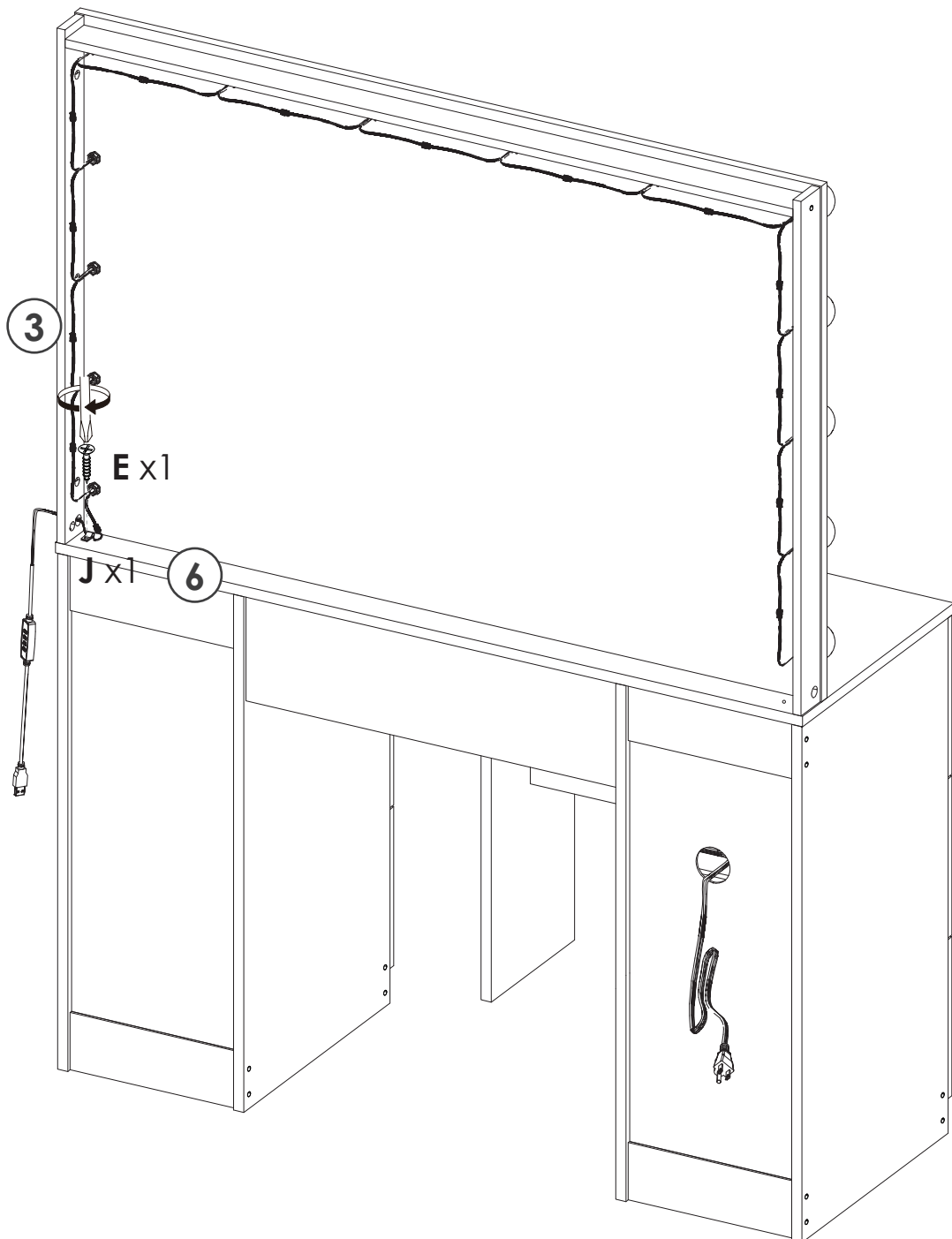
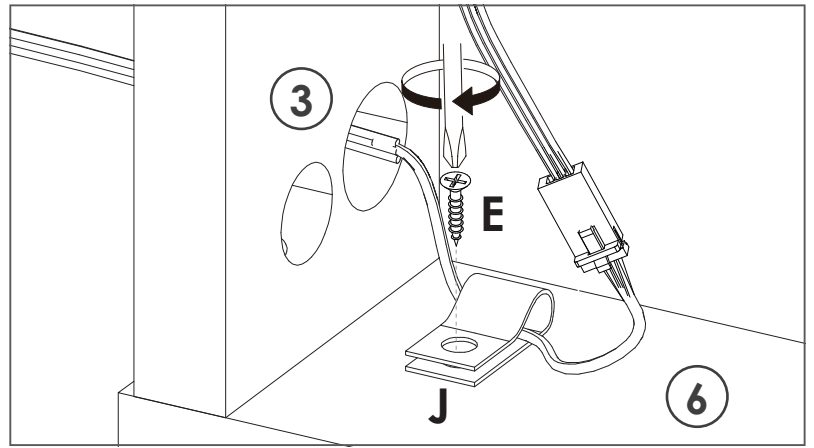




YOU WILL NEED

E x1

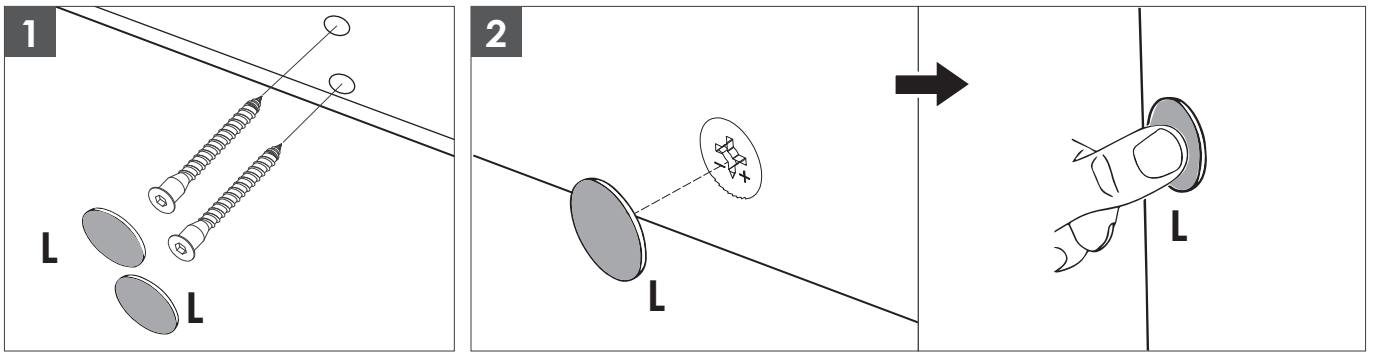
J x1



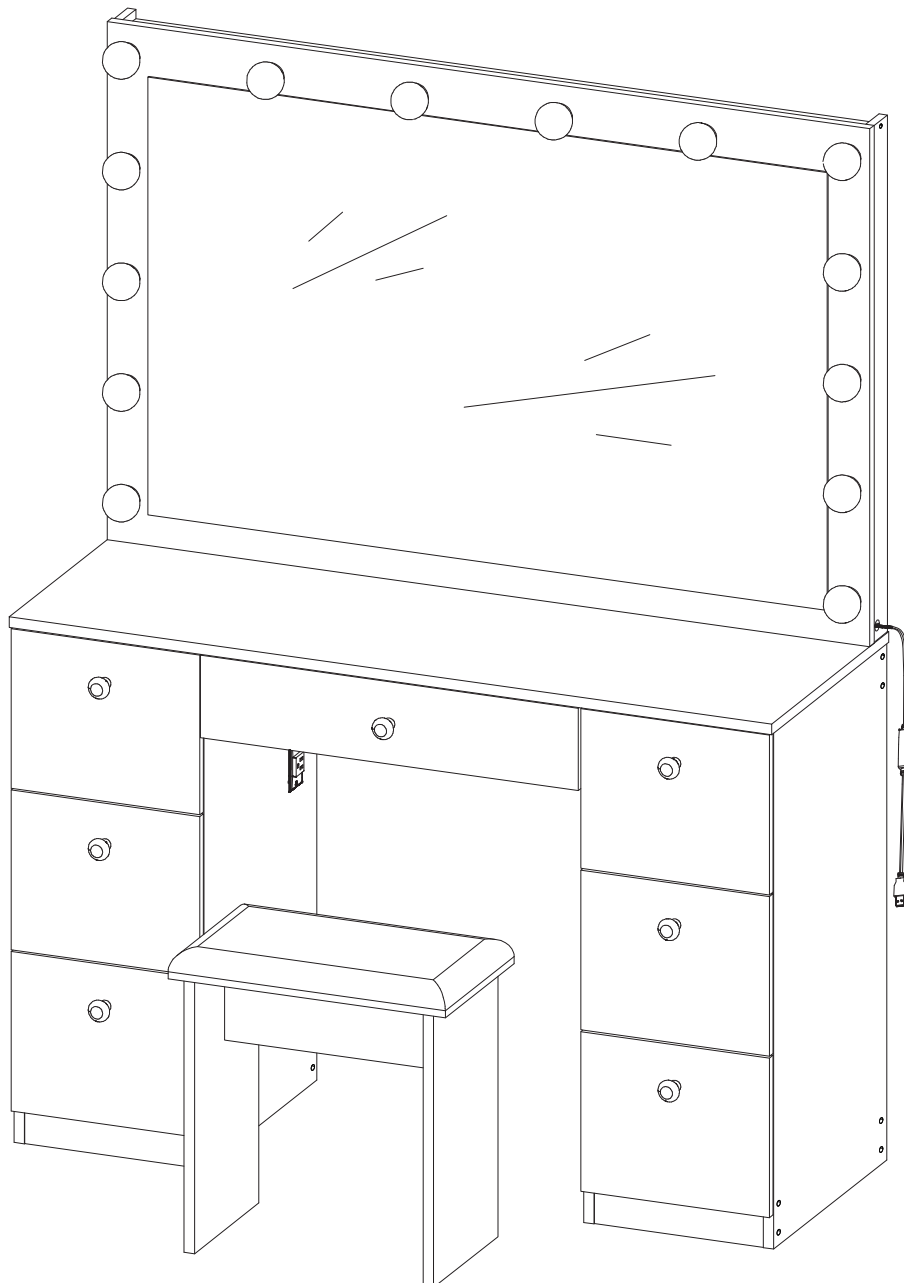
26

YOU WILL NEED

L x58



Beauty sticker **L**: Covers exposed screw holes.



## **WARRANTY**

We provide an **18-month** warranty on the product starting from the date of the original purchase. If the product has any manufacturing defect, please contact us through email with details about the problem. We will send you further information about the return or exchange.