

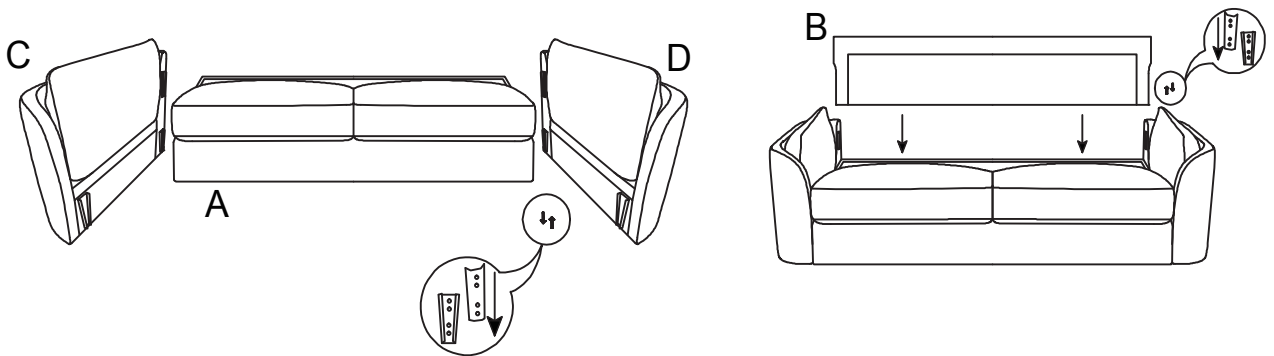
# Assembly Instruction

## 60553/60556

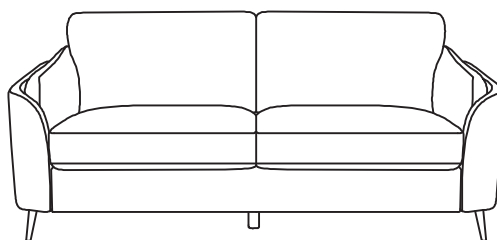
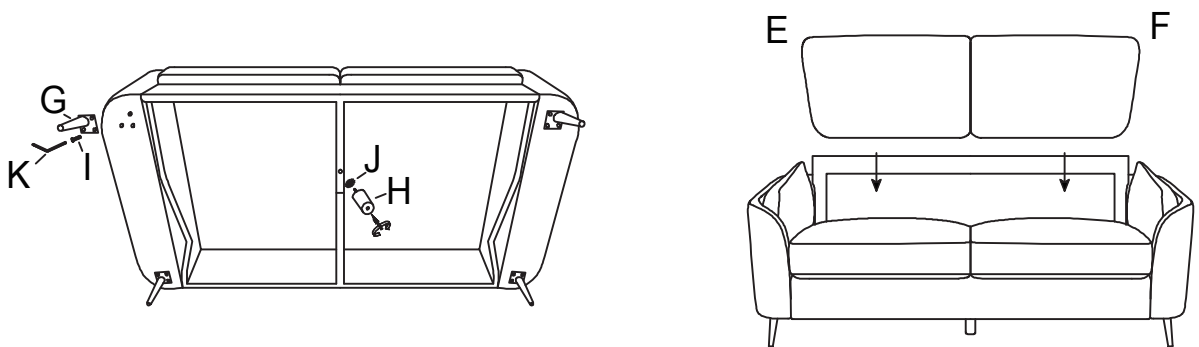
### COMPONENT LIST

NO.	DRAWING	QTY	NO.	DRAWING	QTY
A		1	B		1
C		1	D		1
E		1	F		1
G		4	H		1
I		12	J		1
K		1			

Step1.




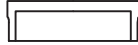







Step2.



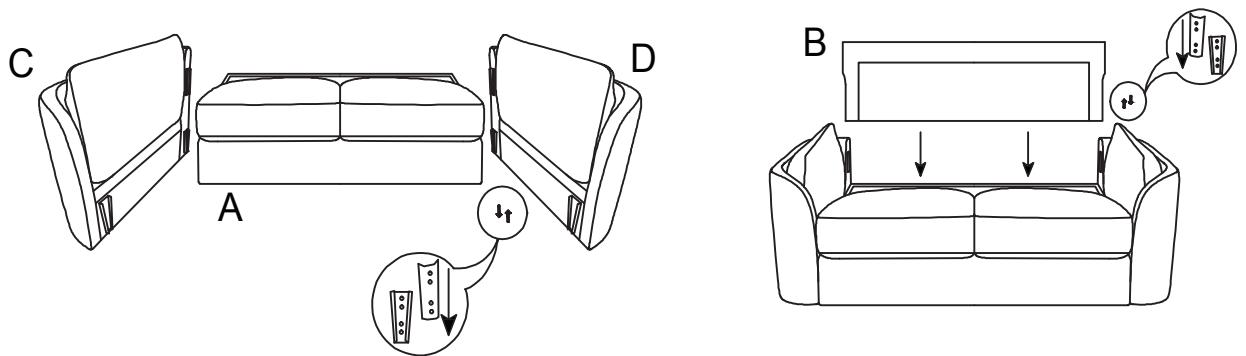
# Assembly Instruction

## 60552/60555

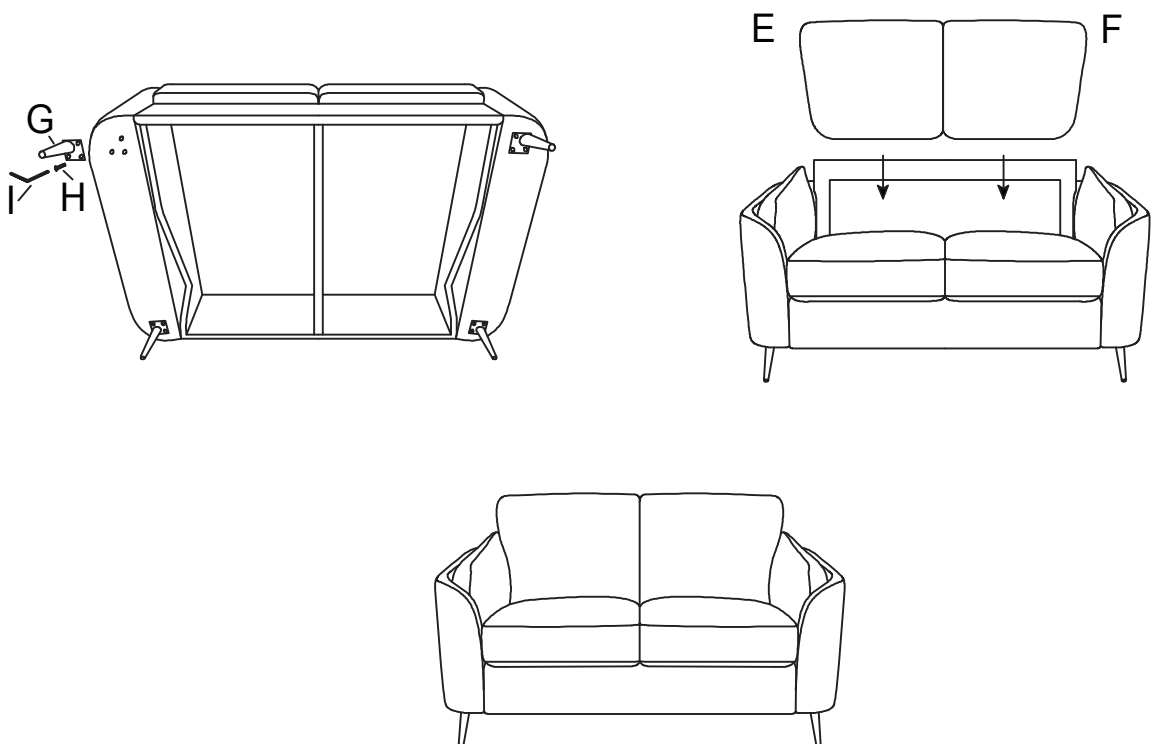
### COMPONENT LIST

NO.	DRAWING	QTY	NO.	DRAWING	QTY
A		1	B		1
C		1	D		1
E		1	F		1
G		4	H		12
I		1	J		1

Step1.











Step2.



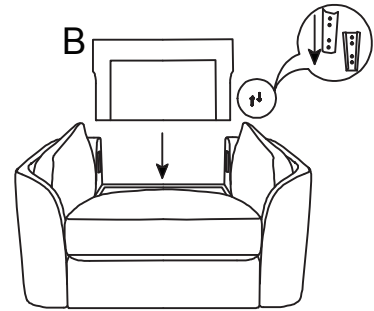
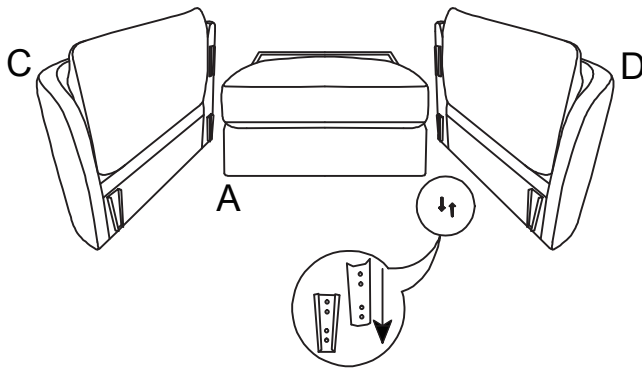
# Assembly Instruction

## 60551/60554

### COMPONENT LIST

NO.	DRAWING	QTY	NO.	DRAWING	QTY
A		1	B		1
C		1	D		1
E		1	F		4
G		1	H		12

Step1.



Step2.

