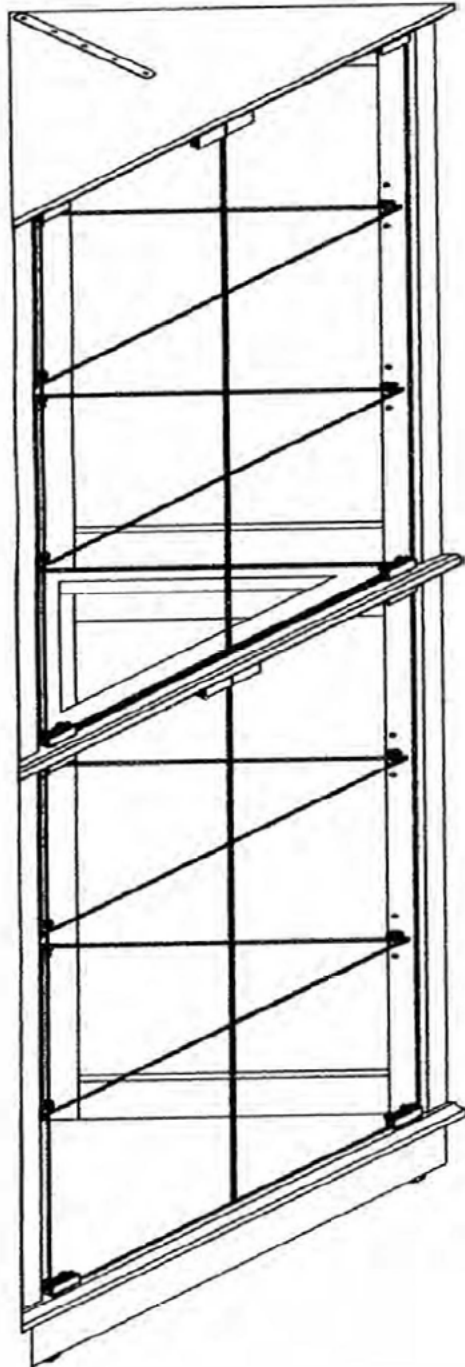
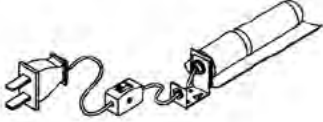
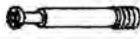

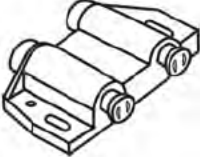

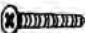

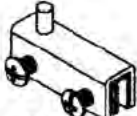
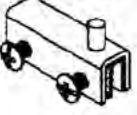
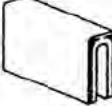





ASSEMBLY GUIDE



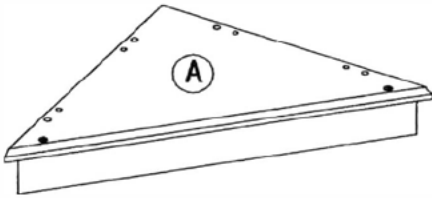
Note: This instruction booklet contains important safety information, please read and keep for future reference.

Hardware List

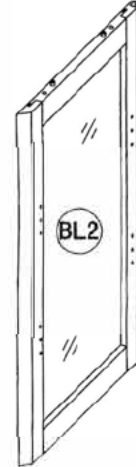
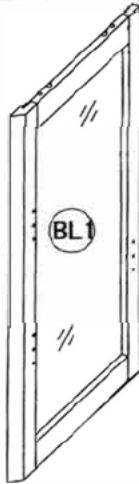
- (R1)LIGHT 1pc 
- (R2)CAM BOLT 16pcs 
- (R3)CAM LOCK 16pcs 
- (R4)MAGNET 2pcs 
- (R5)FLAT HEAD SCREW ST2.9X12 10pcs 
- (R6)FLAT HEAD SCREW ST2.9X16 10pcs 
- (R7)SHELF SUPPORT STUD 16 pcs 
- (R8)GLASS HINGE 4pcs 
- (R9)GLASS HINGE 4pcs 
- (R10)LATCH PLATE 4pcs 
- (R11)ADJUSTABLE FOOT 3pcs 
- (R12)PLASTIC SCREW ANCHOR 1PC 
- (R13)FLAT HEAD SCREW ST4X16 16pcs 

Parts List

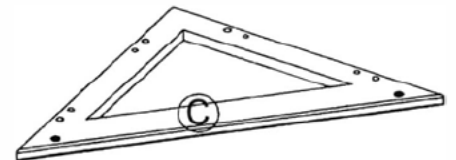
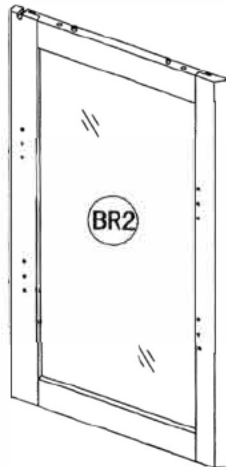
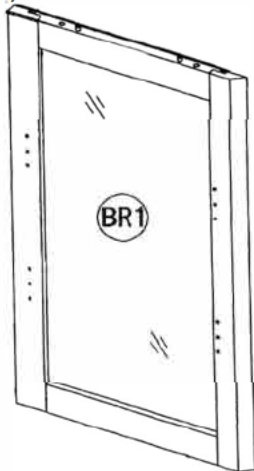
(A)BASE UNIT-1 PC



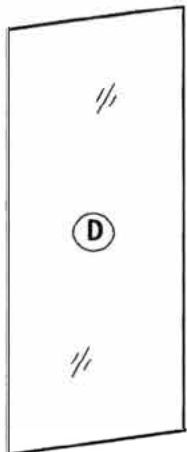
(BL1)LEFT BACK PANEL-1 PC (BL2)TOP LEFT BACK PANEL-1PC



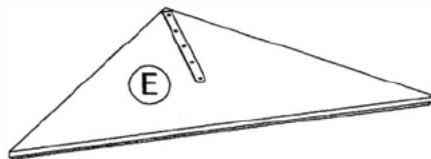
(BR1) RIGHT BACK PANEL-1PC (BR2)TOP RIGHT BACK PANEL-1PC (C)SHELF BOARD-1PC



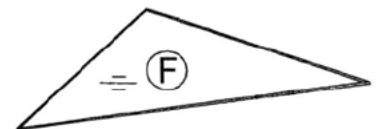
(D)DOOR-4PCS



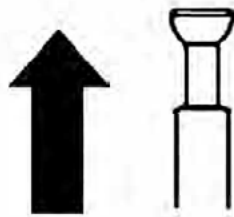
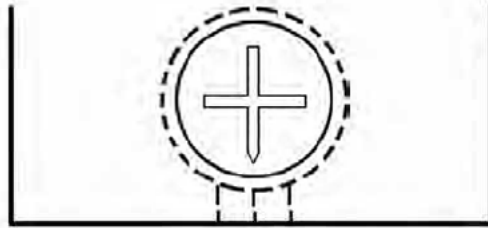
(E)COVER BOARD-1 PC



(F)SHELF-5PCS

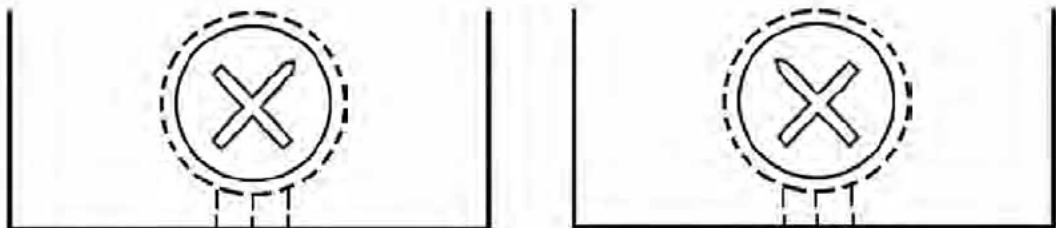


CAM LOCK SYSTEM



(1)

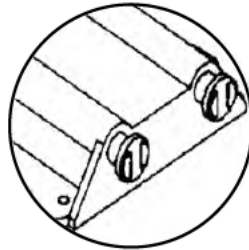
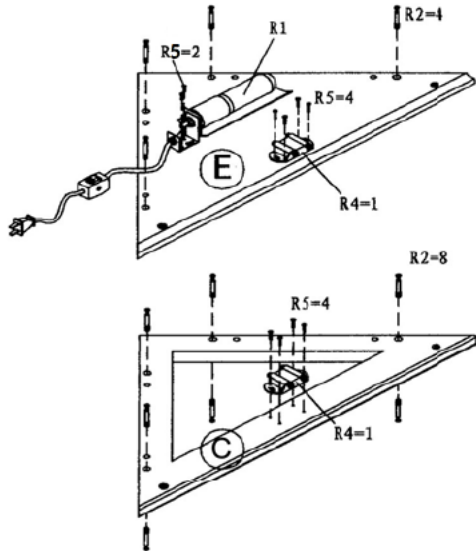
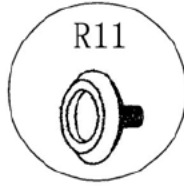
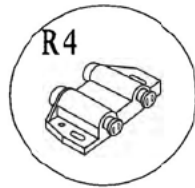
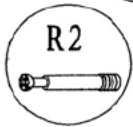
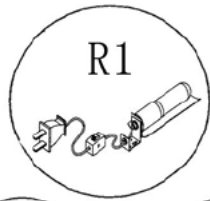
CORRECT



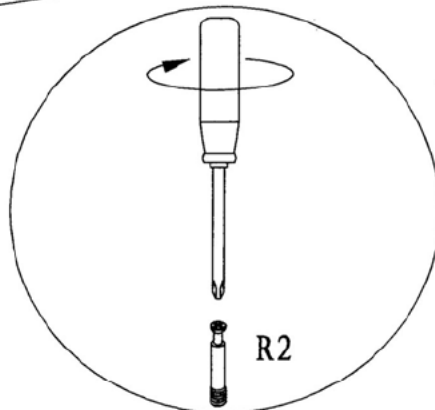
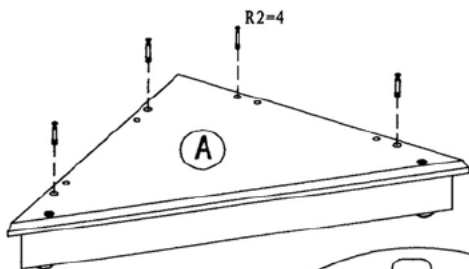
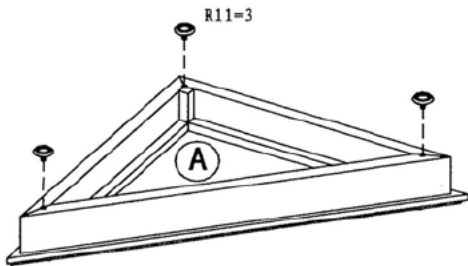
(2)

WRONG

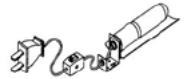
Ensure starting position is correct, adjust cam bolt by pushing or pulling during assembly. Turn clockwise until secure.



Note: This side faces the glass door.



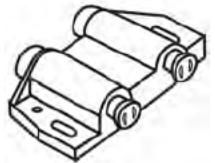
(R1)LIGHT:1PC



(R2)CAM BOLT:16PCS



(R4)MAGNET:2PCS



(R5)ST2.9X12:10PCS

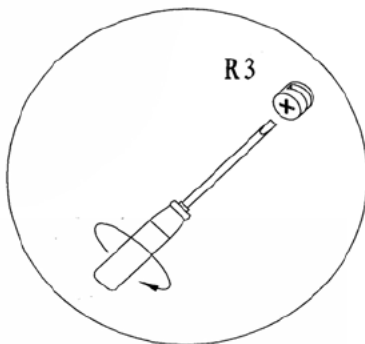
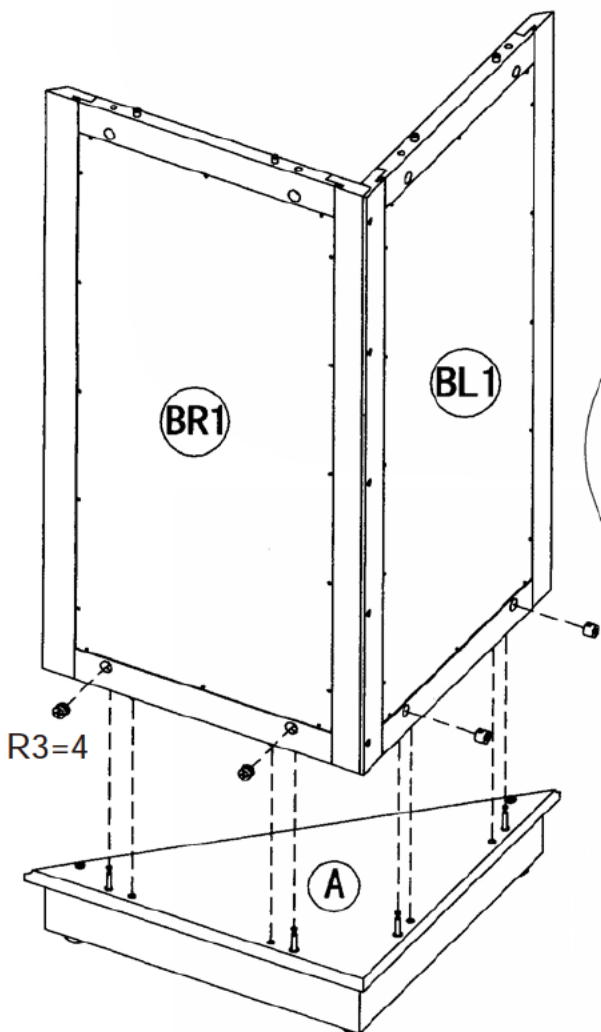
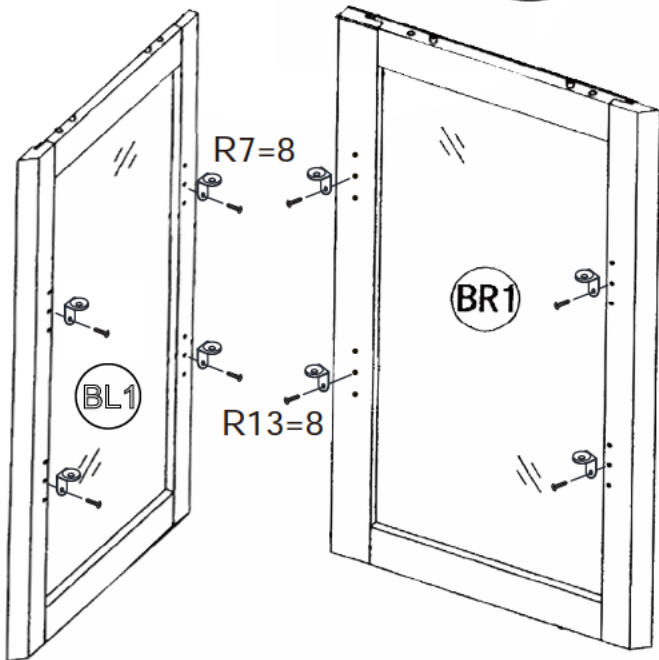
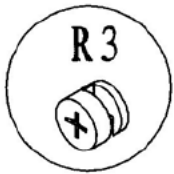


(R11)ADJUSTABLE FOOT:3PCS



1. a) Fasten light R1 to cover board E with 2 screw R5(ST2.9X12).
- b) Fasten 1 magnet R4 to cover board E with 4 screw R5 (ST2.9X12).
- c) Fasten 4 cam bolt R2 to cover board E.
- d) Fasten 1 magnet R4 to shelf board C with 4 screw R5 (ST2.9X12).
- e) Fasten 8 cam bolt R2 to shelf board C.
- f) Fasten 3 adjustable foot R11 to back of base unit A.
- g) Fasten 4 cam bolt R2 to base unit A.

Note: The magnetic latches are adjustable, please make sure they are in the right place to attach the door closely.



(R3)CAM LOCK:4PCS



(R7)SHELF SUPPORT
STUD:8PCS



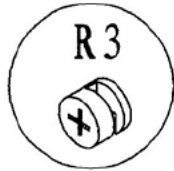
(R13)FLAT HEAD SCREW
ST4X16:8pcs



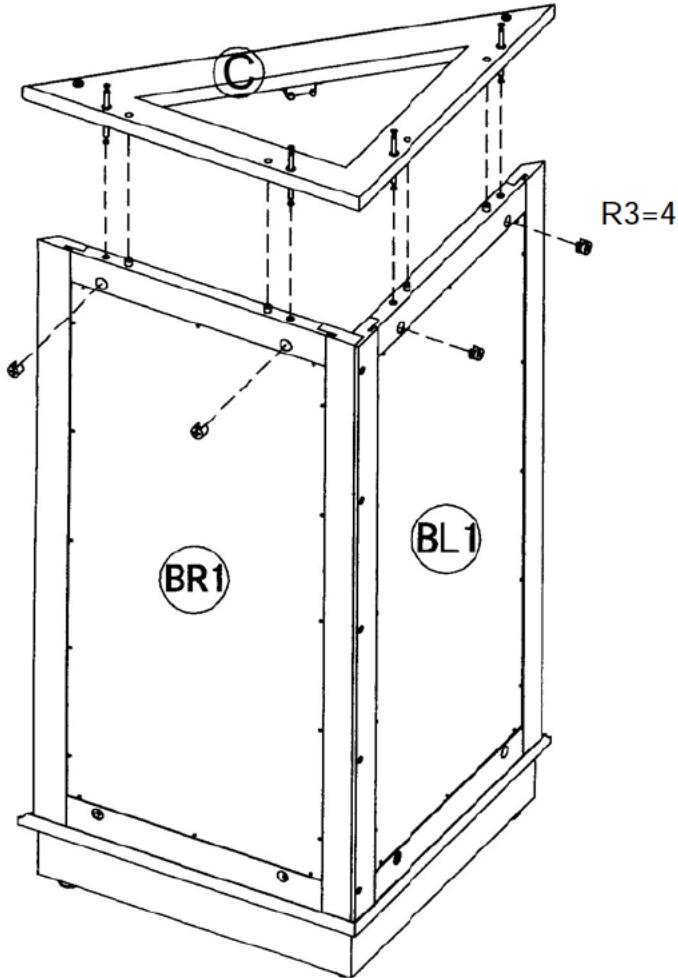
2.a)Fasten 8 shelf support stud R7
to left and right back panel
BL1 & BR1 with 8 screw R13
(ST4X16).

b)Attach left and right back
panel BL1&BR1 to base unit A.

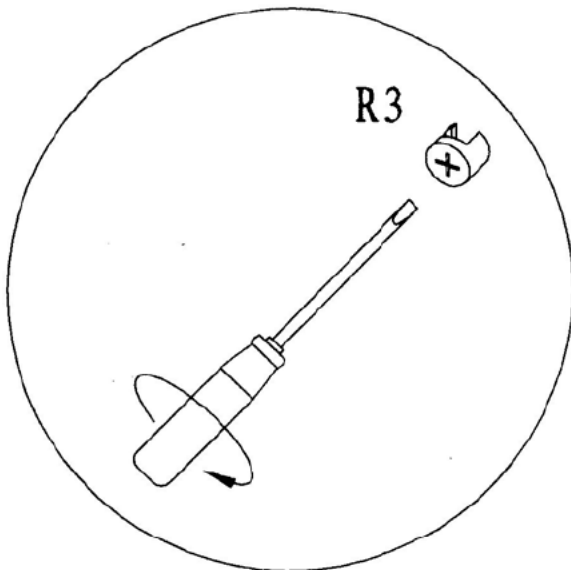
c)Fasten BL1&BR1 to A with 4
cam lock R3.

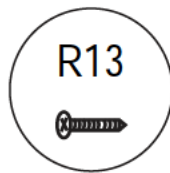


(R3)CAM LOCK:4PCS



3. a) Attach shelf board C to left and right back panel BL1&BR1.
- b) Fasten C to BL1&BR1 with 4 cam lock R3.





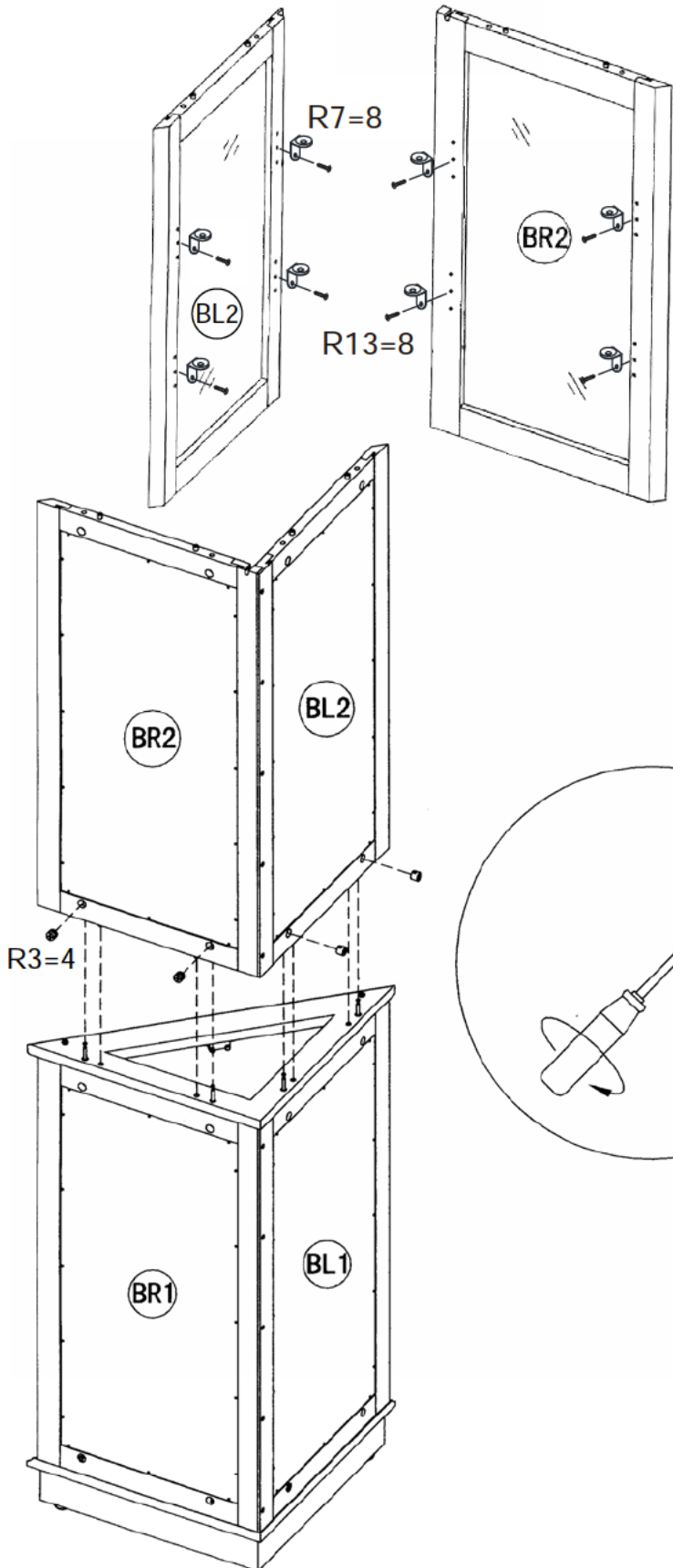
(R3)CAM LOCK:4PCS



(R7)SHELF SUPPORT STUD:8PCS



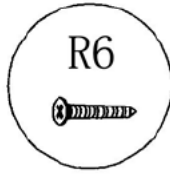
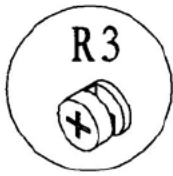
(R13)FLAT HEAD SCREW ST4X16:8pcs



4.a)Fasten 8 shelf support stud R7 to left and right back panel BL2 & BR2 with 8 screw R13 (ST4X16).

b)Attach top left and right back panel BL2&BR2 to left and right back panel BL1&BR1.

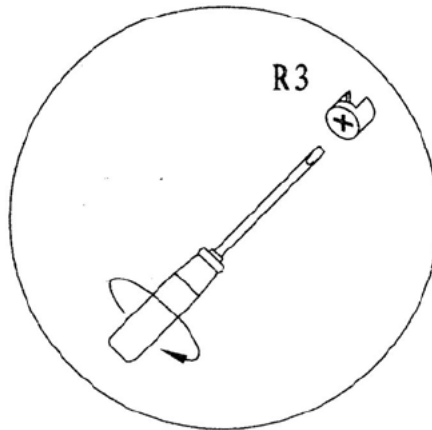
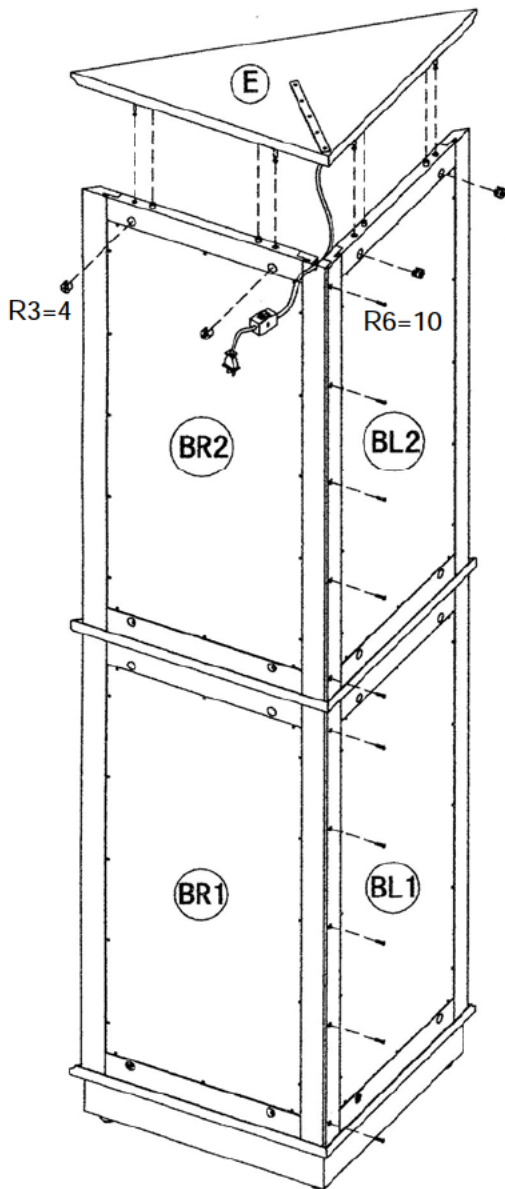
c)Fasten BL2&BR2 to BL1&BR1 with 4 cam lock R3.



(R3)CAM LOCK:4PCS



(R6)ST2.9X16:10PCS



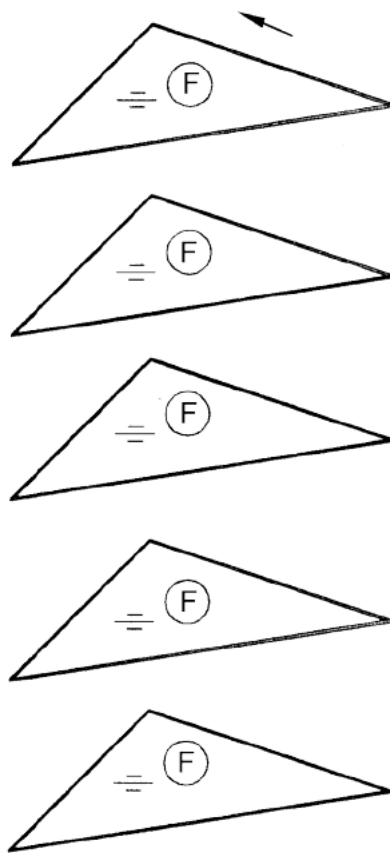
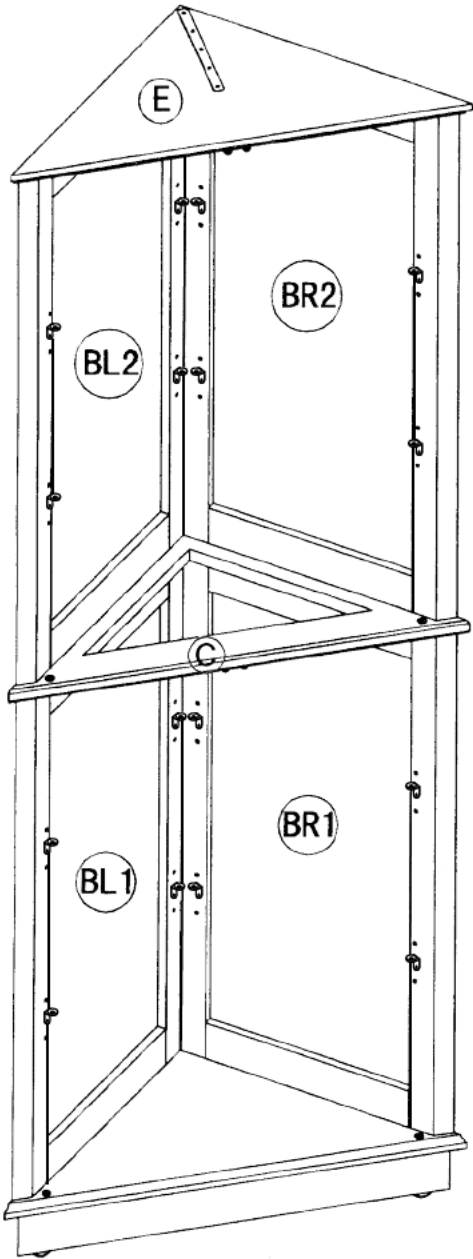
5. a) Attach cover board E to top left and right back panel BL2&BR2.

b) Fasten E to BL2&BR2 with 4 cam lock R3.

c) Fasten BL1 to BR1 with 5 screw R6(ST2.9X16).

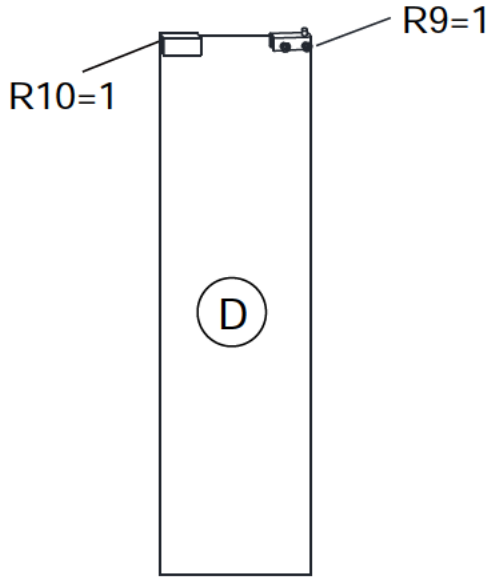
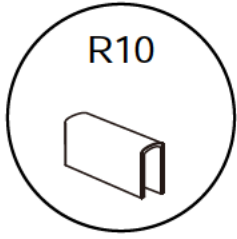
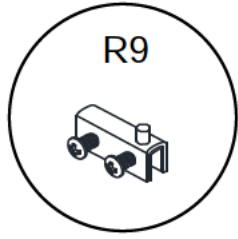
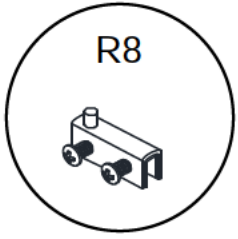
d) Fasten BL2 to BR2 with 5 screw R6(ST2.9X16).

Note: the electronic wire must go through the groove on top right back panel BR2 first.

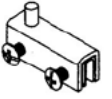


- 6.a) Put 4 shelf F on shelf support stud and hold them with sucker.
- b) Attach 1 shelf F on shelf board C.

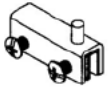
Note: Weight on glass shelves should not exceed 4kgs.



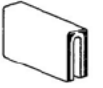
(R8)GLASS HINGE:2PCS



(R9)GLASS HINGE:2PCS



(R10)LATCH PLATE:2PCS



7.a)First fasten 1 latch plate R10 and 1 glass hinge R9 on the corners of door D.

b)Insert glass hinge R8 into the bottom hole on shelf board C.

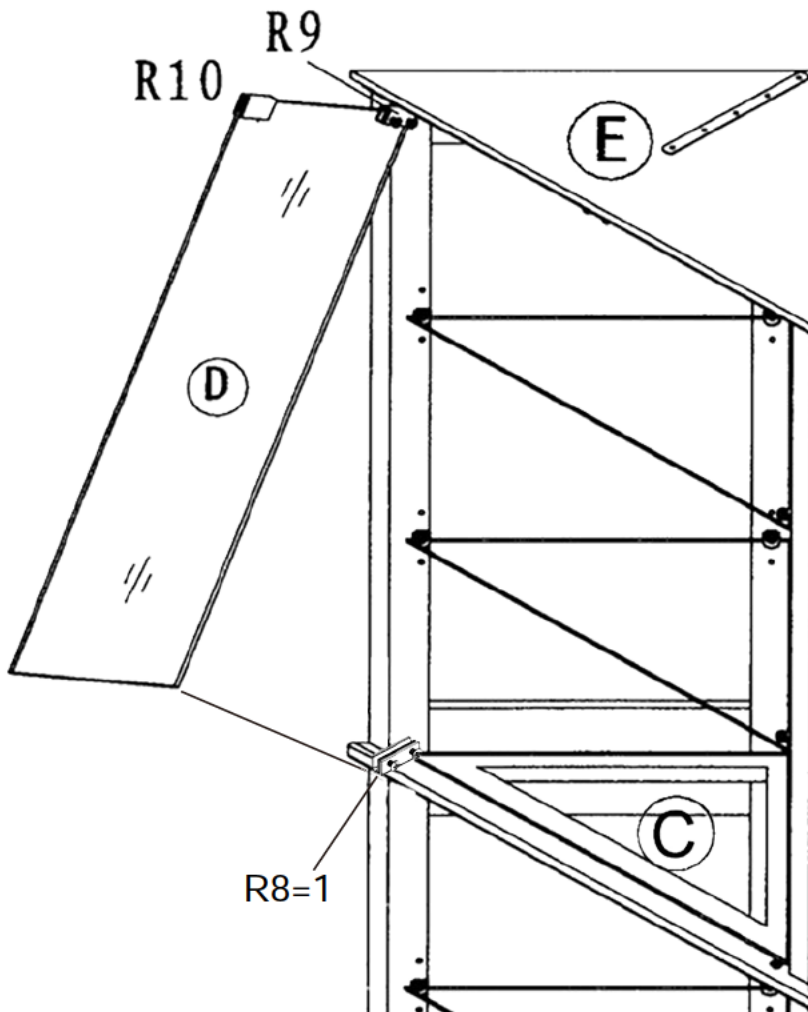
c)Insert glass hinge R9 into the top hole on cover board E.

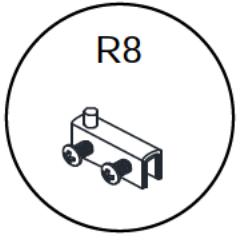
d)Slide the glass into R8, then fasten the screws.

e)Repeat the process for another left bottom door D.

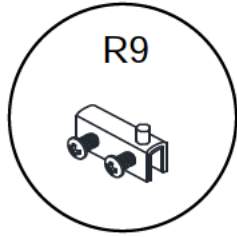
Note:The black washer on glass hinge R8 & R9 should be attached on the side with screws.

Glass hinge R8 & R9 should be attached close to the edge of the glass.

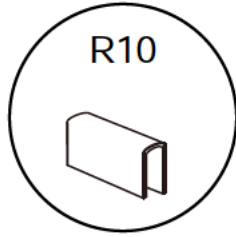




R8

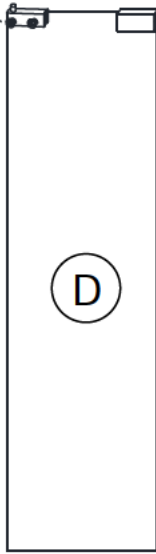


R9



R10

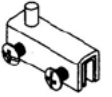
R8=1



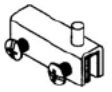
R10=1

D

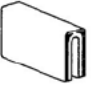
(R8)GLASS HINGE:2PCS



(R9)GLASS HINGE:2PCS



(R10)LATCH PLATE:2PCS



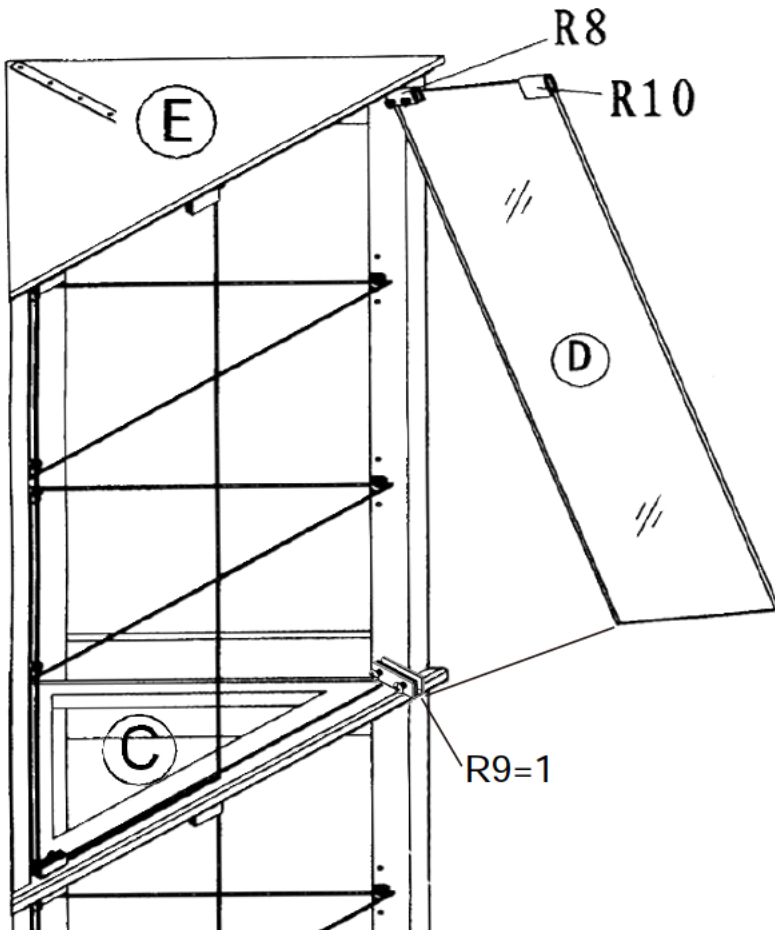
8.a)First fasten 1 latch plate R10 and 1 glass hinge R8 on the corners of door D.

b)Insert glass hinge R9 into the bottom hole on shelf board C.

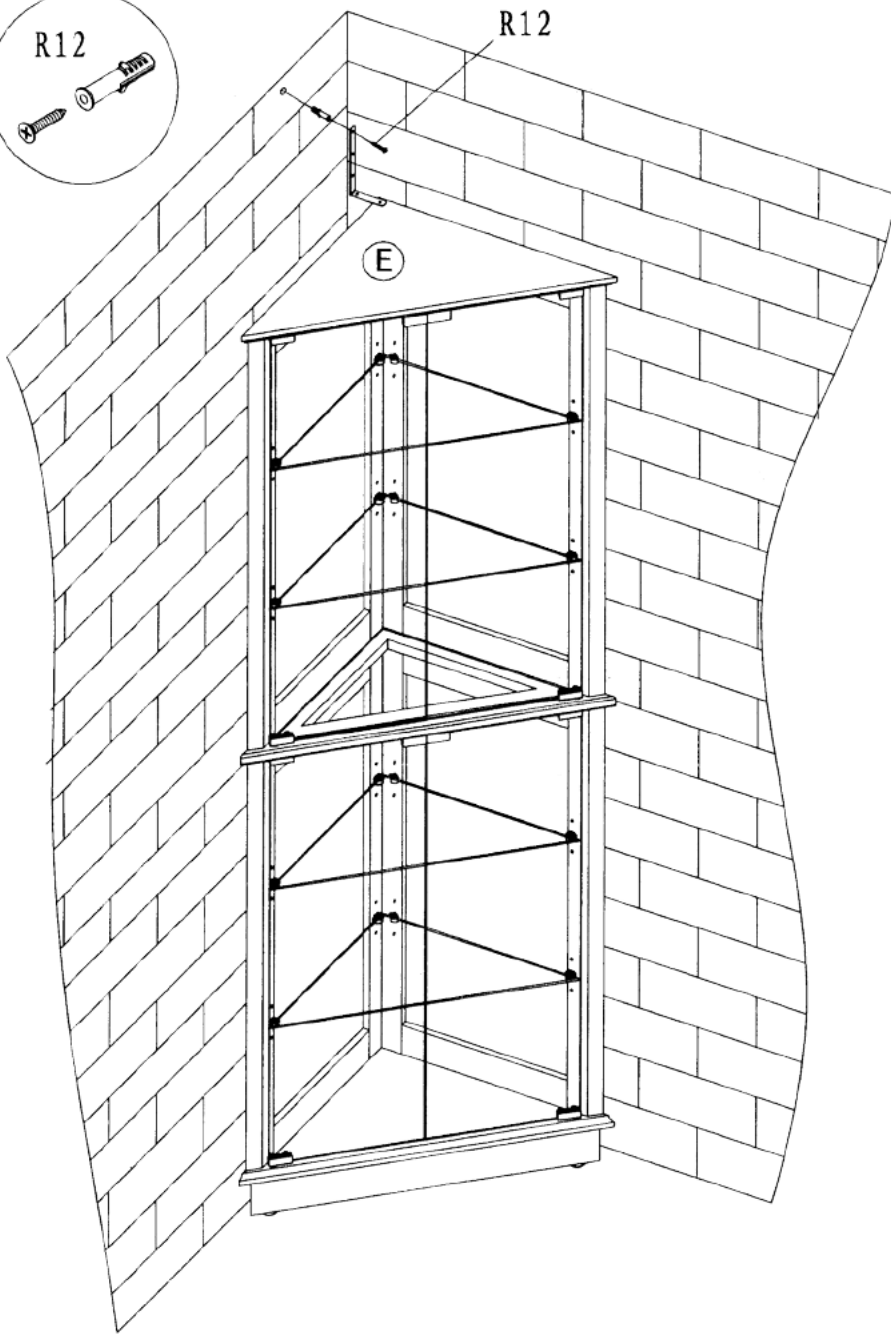
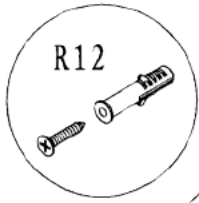
c)Insert glass hinge R8 into the top hole on cover board E.

d)Slide the glass into R9, then fasten the screws.

e)Repeat the process for another right bottom door D.



Note:You can loose all screws and move the glass slightly to make R8/R9/R10 in right position if latch plate R10 can't touch magnet properly. If R10 can't hold the glass tightly, just squeeze it.



(R12)PLASTIC SCREW
ANCHOR:1PC



9. In order to ensure that the cabinet is stable adjust the adjustable foot under the cabinet. As an added safety feature a support strap on cover board E has been provided, it must be attached to the wall, using plastic screw anchor R12.