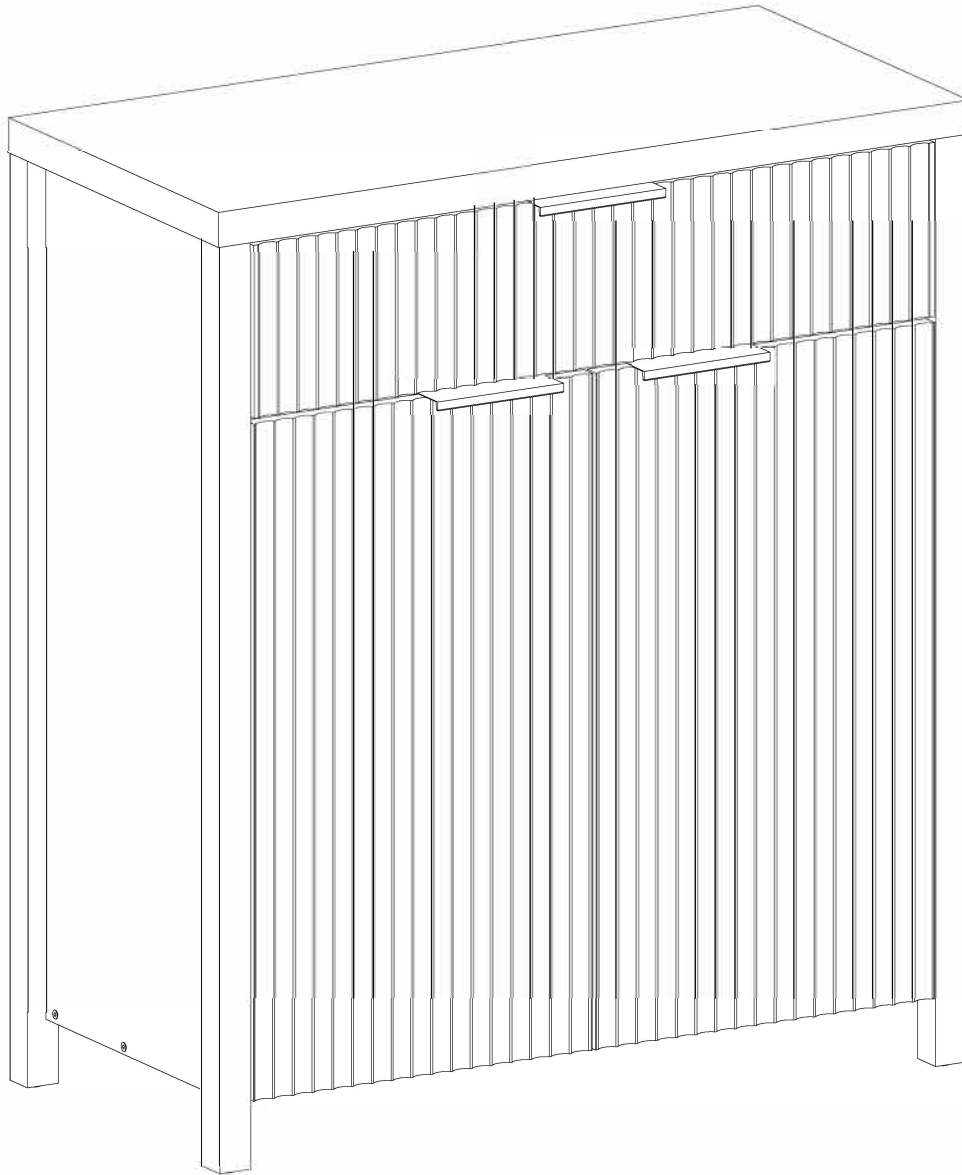


# ASSEMBLY INSTRUCTION

---

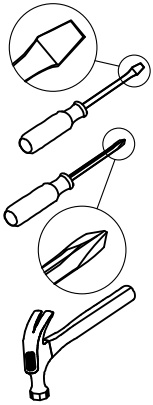


## **Sideboard Cabinet**

---

---

# Before You Start



- ✓ Read through each step carefully and follow the proper order
- ✓ Separate and count all your parts and hardware, If Parts are missing defective or having wrong parts in package, or Board Surface is broken, scratched or lack of some screw holes. You can contact us and we will get back to you within 24 hours. Or, you can reach us via after-sales email.
- ✓ Give yourself enough room for the assembly process
- ✓ Caution: If using a power drill or power screwdriver for screwing, please pay attention to slow down and stop when screw is tight. Failure to do so may result in stripping the screw. (Assembly speed can be increased by using electric screwdriver)

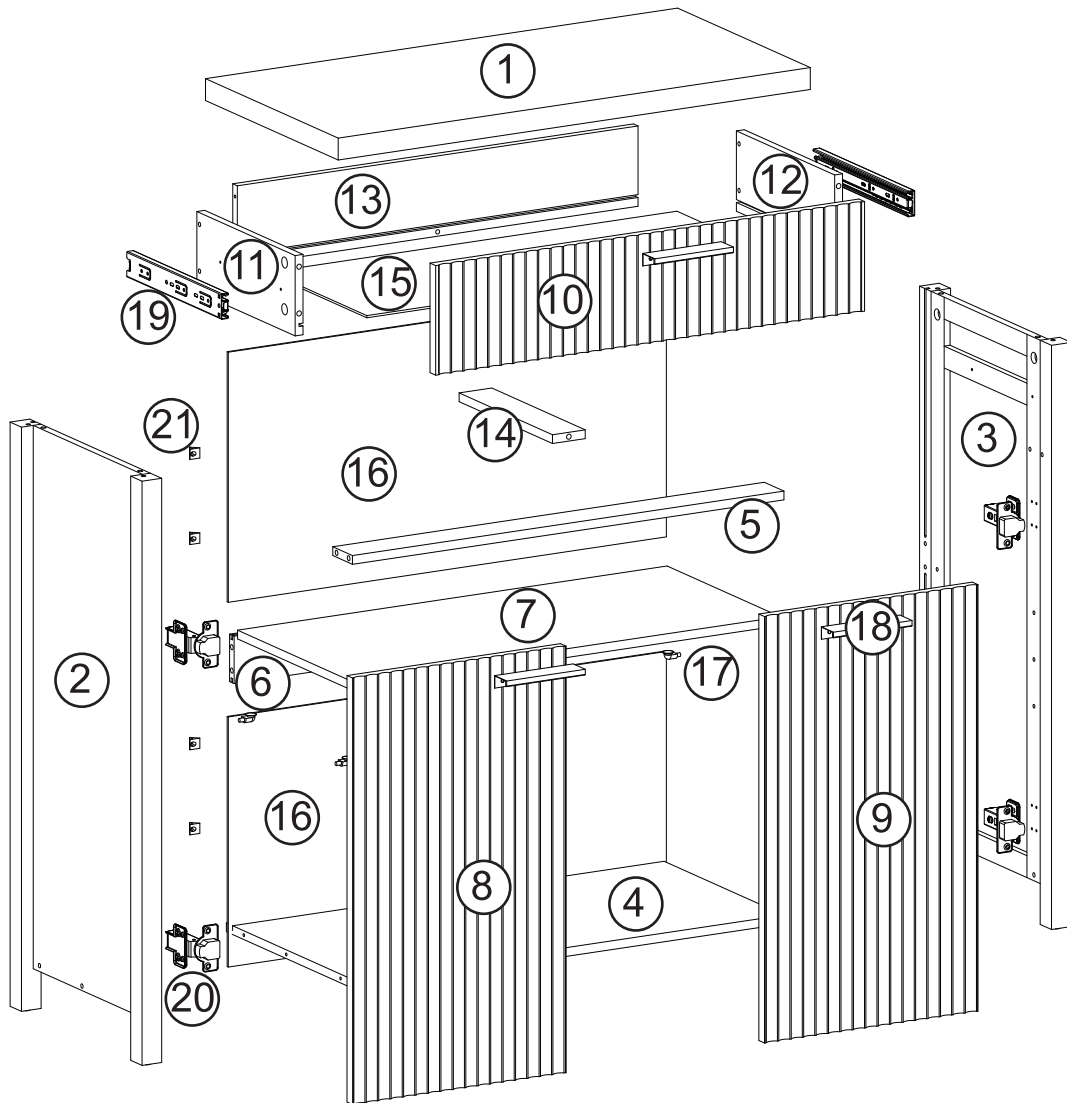
# Helpful Hints

## PEOPLE NEEDED FOR ASSEMBLY: 2

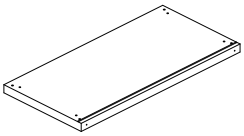
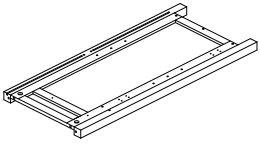
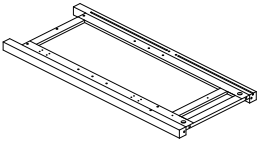
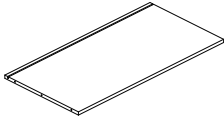
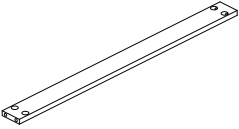
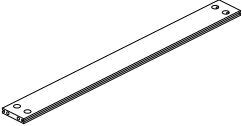
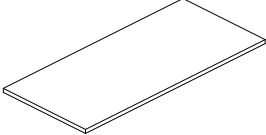
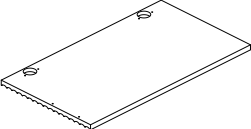
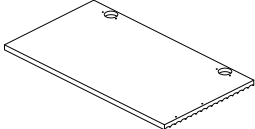
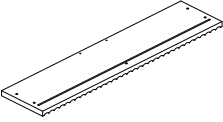
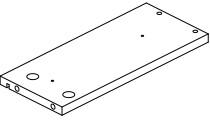
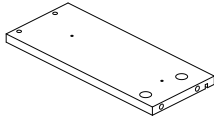
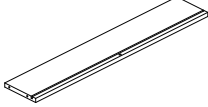
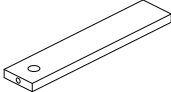
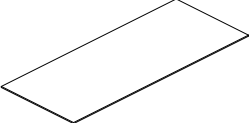
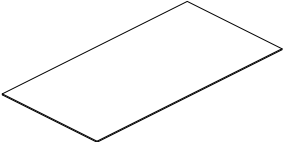
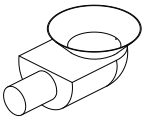
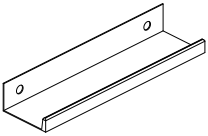
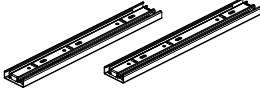
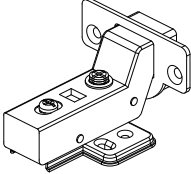
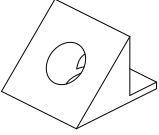
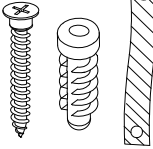
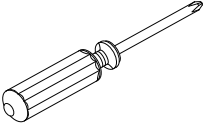
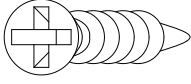
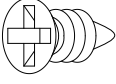

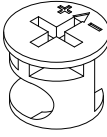
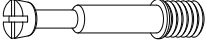

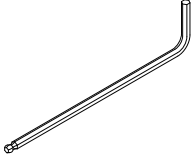
- Open your item in the area you plan to keep it to avoid excessive heavy lifting.
- Identify, sort and count the parts before attempting assembly.
- Do not make the screws too loose or too tight.
- The accessory bag contains some small accessories, which should be kept away from children.
- The remaining parts are spare parts.
- Do NOT use harsh chemicals or abrasive cleaners on this item. And Never push, pull, or drag your furniture.
- Young children can be seriously injured by tipping furniture. You must install the tipping restraint hardware with the unit ( No. 22) to prevent the unit from tipping, causing any accidents or damage. the tipping restraints are intended only as a deterrent, they are not a substitute for proper adult supervision.



Assembling furniture can be quite a challenging task, but why not challenge yourself? When you reach that moment of completion, you'll realize it wasn't so difficult after all.

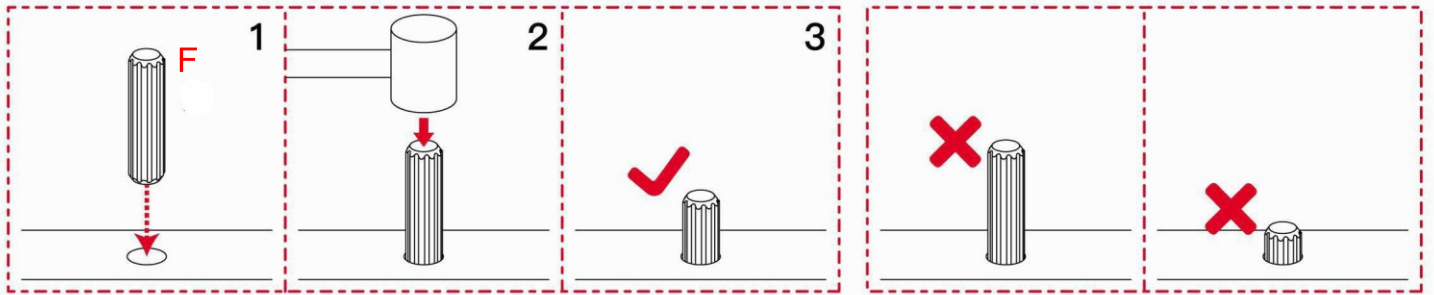


# Parts List / Teile Liste

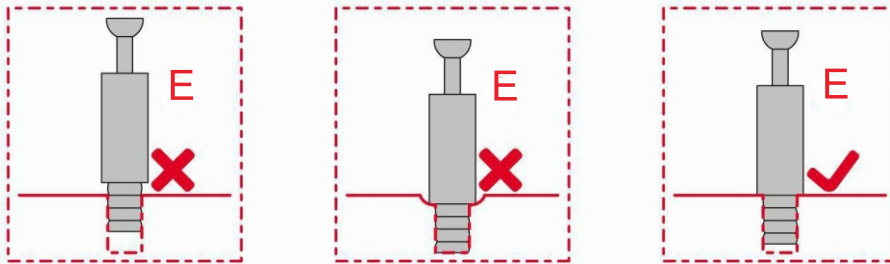
				
① x1	② x1	③ x1	④ x1	⑤ x1
				
⑥ x1	⑦ x1	⑧ x1	⑨ x1	⑩ x1
				
⑪ x1	⑫ x1	⑬ x1	⑭ x1	⑮ x1
				
⑯ x2	⑰ x4	⑱ x3	⑲ x1	⑳ x4
				
⑳ x12	㉒ x2	㉓ x1	∅3.5×15 ㉔ x12	∅3.5×10 ㉕ x40
				
∅5×48 ㉖ x11	∅15×9 ㉗ x17	∅6×35 ㉘ x17	∅6×30 ㉙ x4	M3 ㉚ x1

## How to Install Wood Dowel

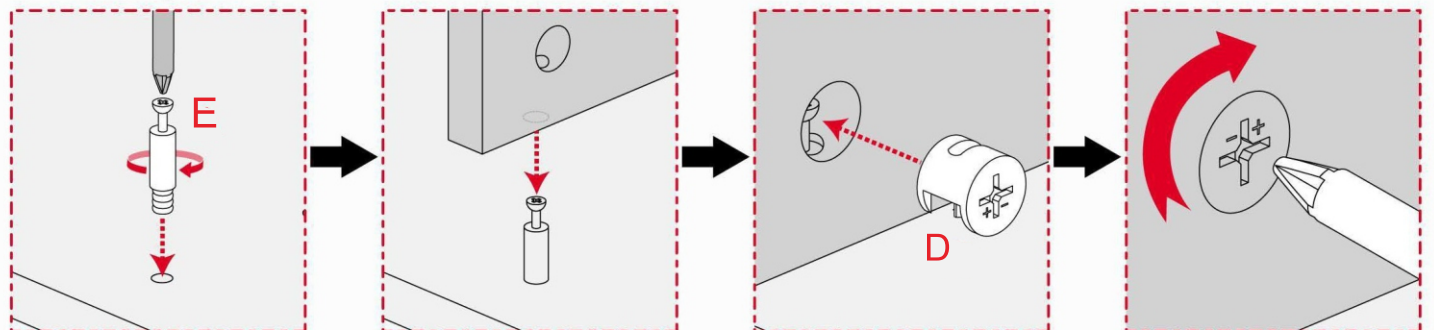
Insert the wood dowel [F] at least half way by tapping lightly with a rubber mallet, IF NECESSARY.



## CAM LOCK SYSTEM OPERATION



1. Screw the cam bolt [E] into the threaded insert on the panel.
2. Connect both panels together making sure cam bolt [E] goes into the pre-drilled large hole on the end of panel for cam lock [D].
3. Insert the cam lock [D] into the pre-drilled large hole on the panel. **Make sure the cross slot of cam lock [D] faces out.**
4. Rotate the cam lock [D] **clockwise** with a self-supplied phillips screwdriver to lock the cam bolt [E] in place.

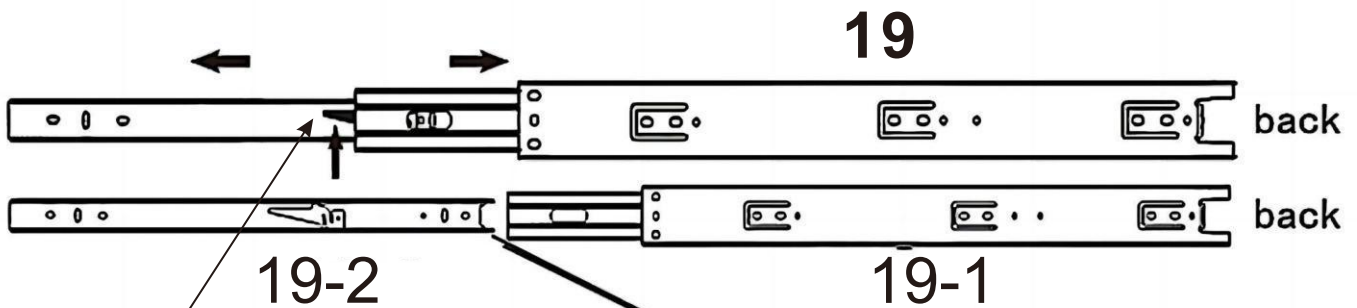




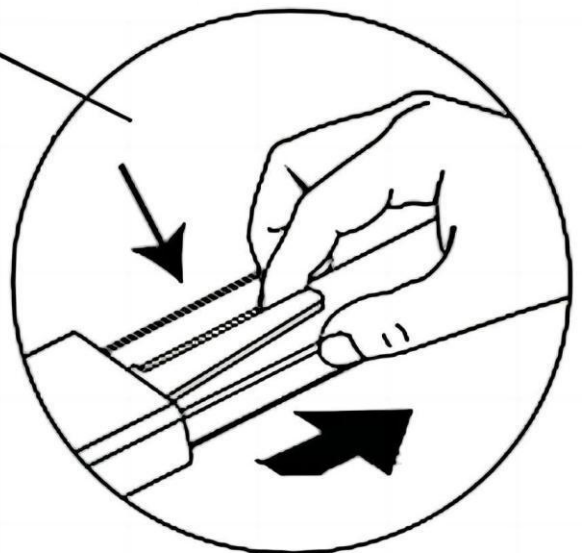
## Hardware installation demonstration

- Before installing the drawer rail, you need to separate the 19-1 and 19-2 first.

1. Place the 19 as shown in picture, Then Pull out the 19-2



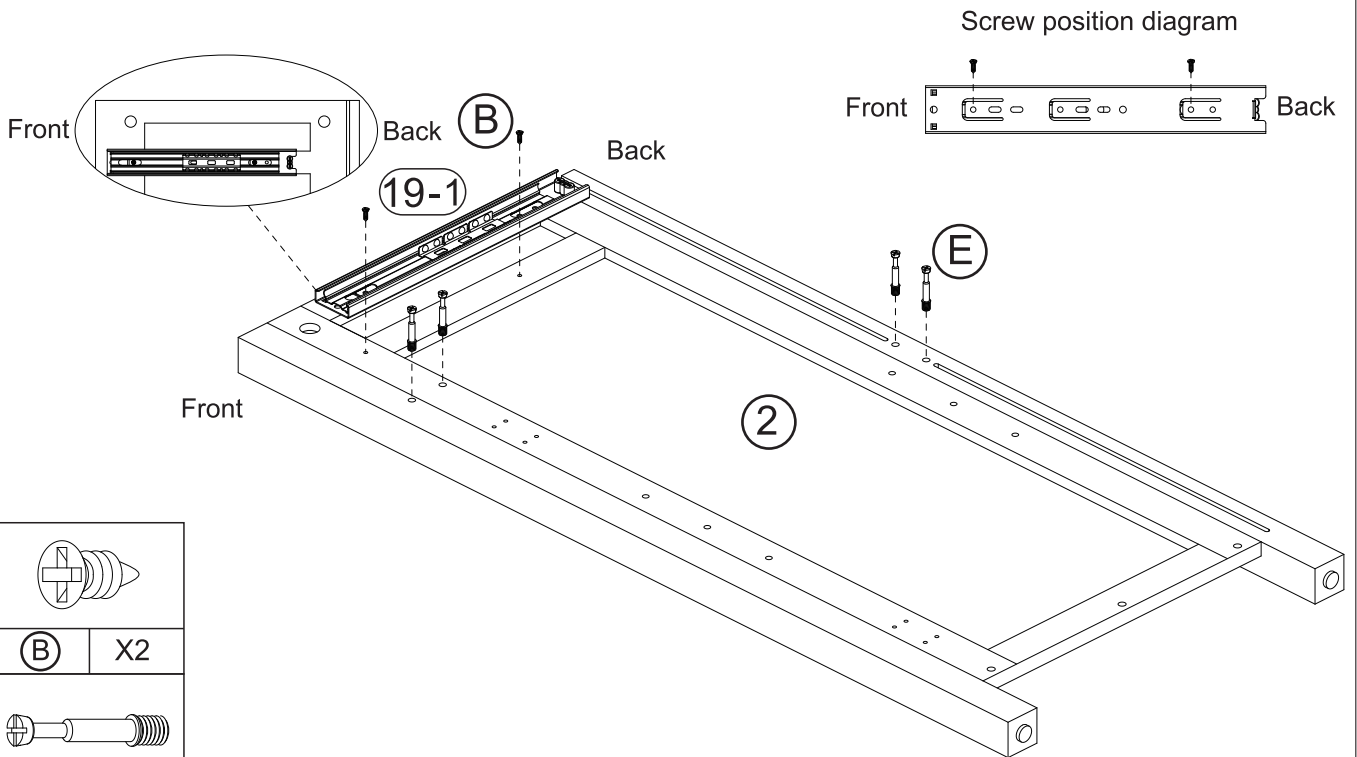
2. Find the latch position, press it and split

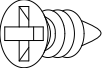
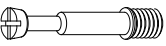


**Warm Reminder: Press it and split**

### STEP 1

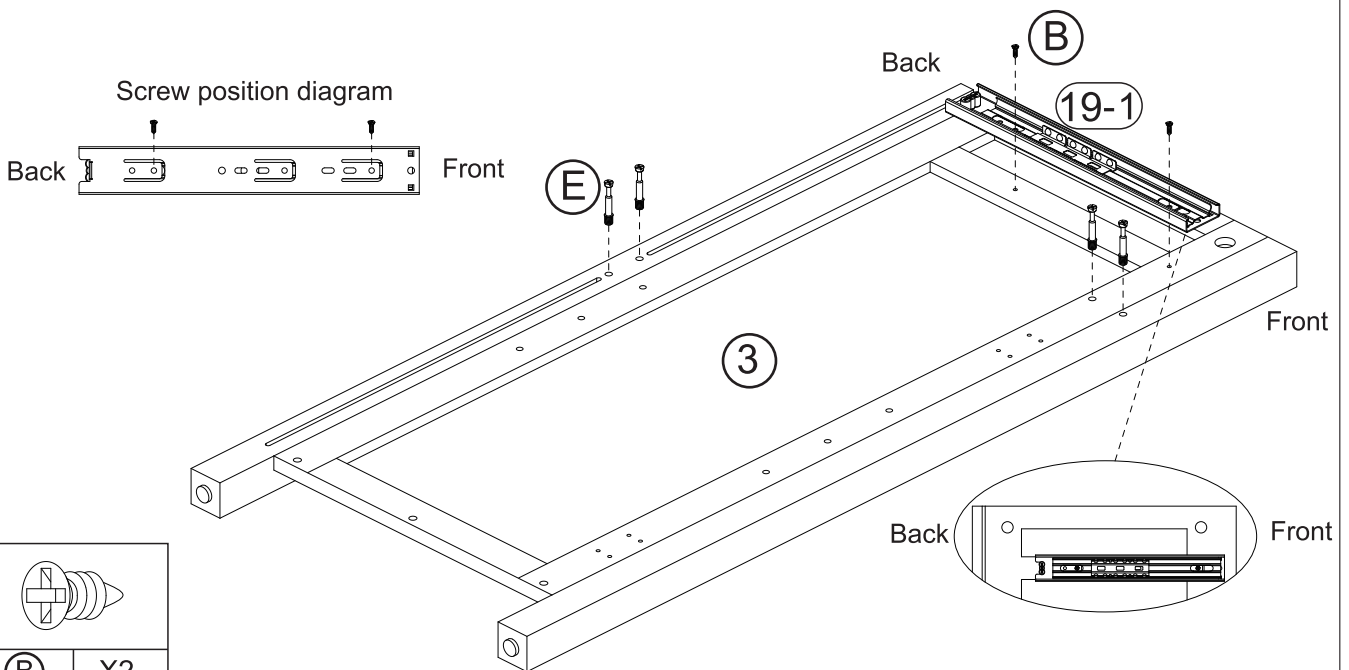
Use Screw B to install the rail (No. 19-1) on Panel No. 2, then fasten 4 Screw E into the corresponding holes. Before installing the rail, please follow the steps on Previous page to split the rail (No. 19) into two parts.

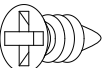
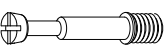


	
(B)	X2
	
(E)	X4

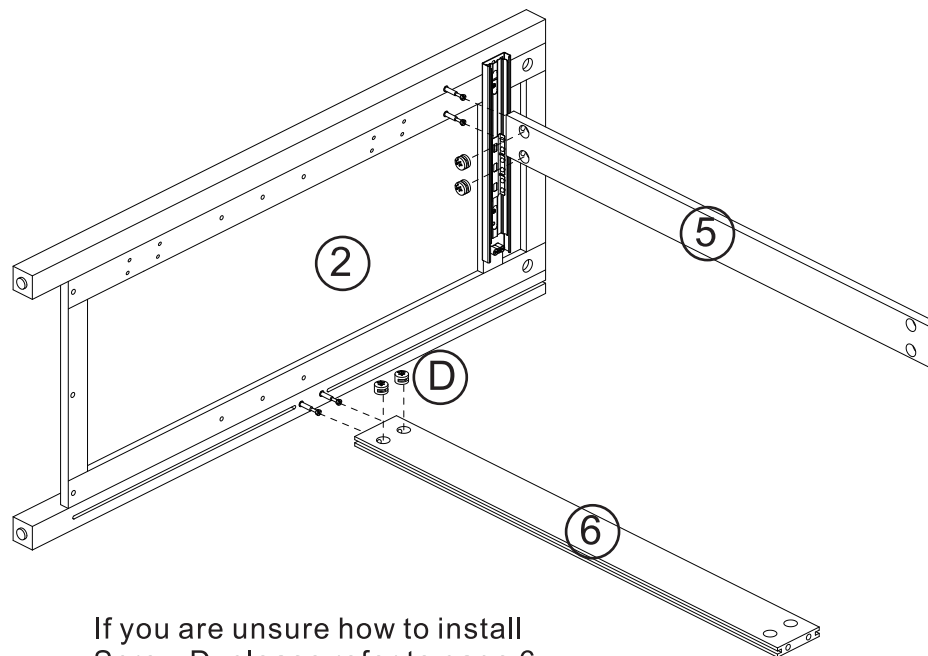
### STEP 2

Use Screw B to install the rail (No. 19-1) on Panel No. 3, then fasten 4 Screw E into the corresponding holes. Before installing the rail, please follow the steps on the previous page to split the rail (No. 19) into two parts.



	
(B)	X2
	
(E)	X4

**STEP 3** Use Screw D to attach Panel No. 5 and Panel No. 6 to Panel No. 2. When placing Screw D into the hole, please make sure the arrow on Screw D is pointing toward Screw E



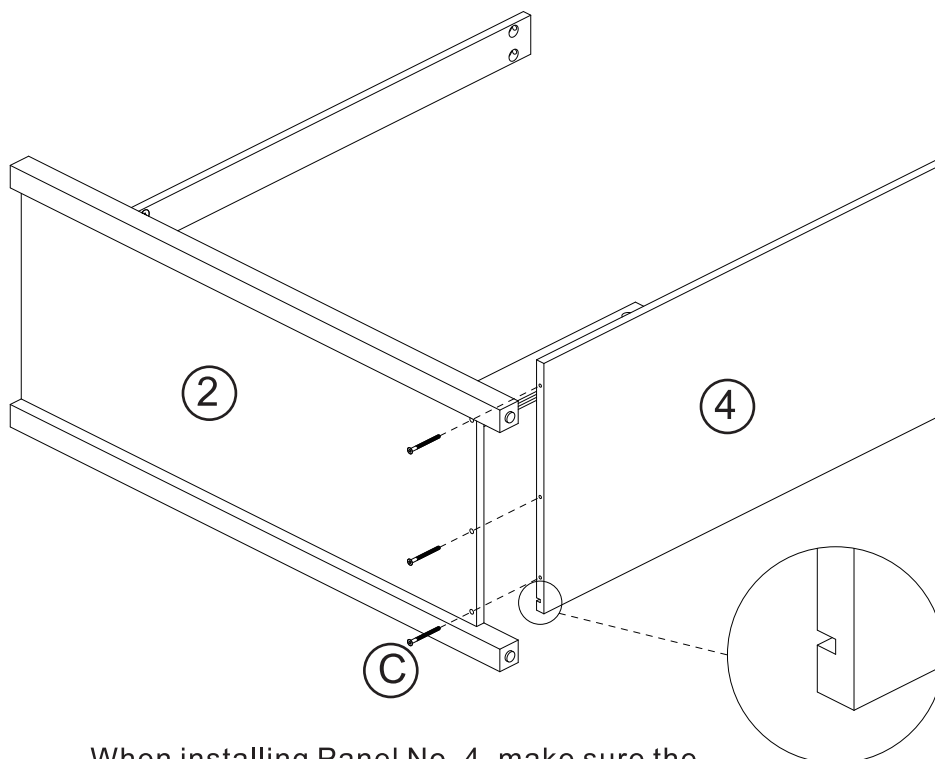
If you are unsure how to install Screw D, please refer to page 6.



D

X4

**STEP 4** Use Screw C to attach Panel No. 4 to Panel No. 2 (you will need Wrench G).



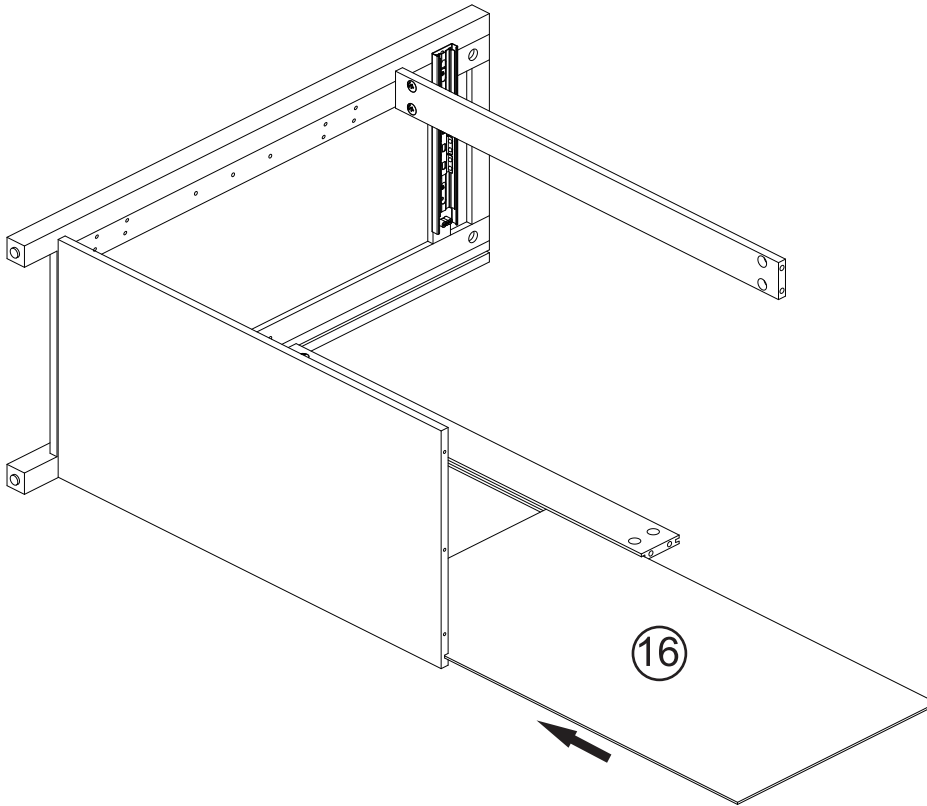
When installing Panel No. 4, make sure the grooved side is facing inward and positioned at the bottom (refer to the image).



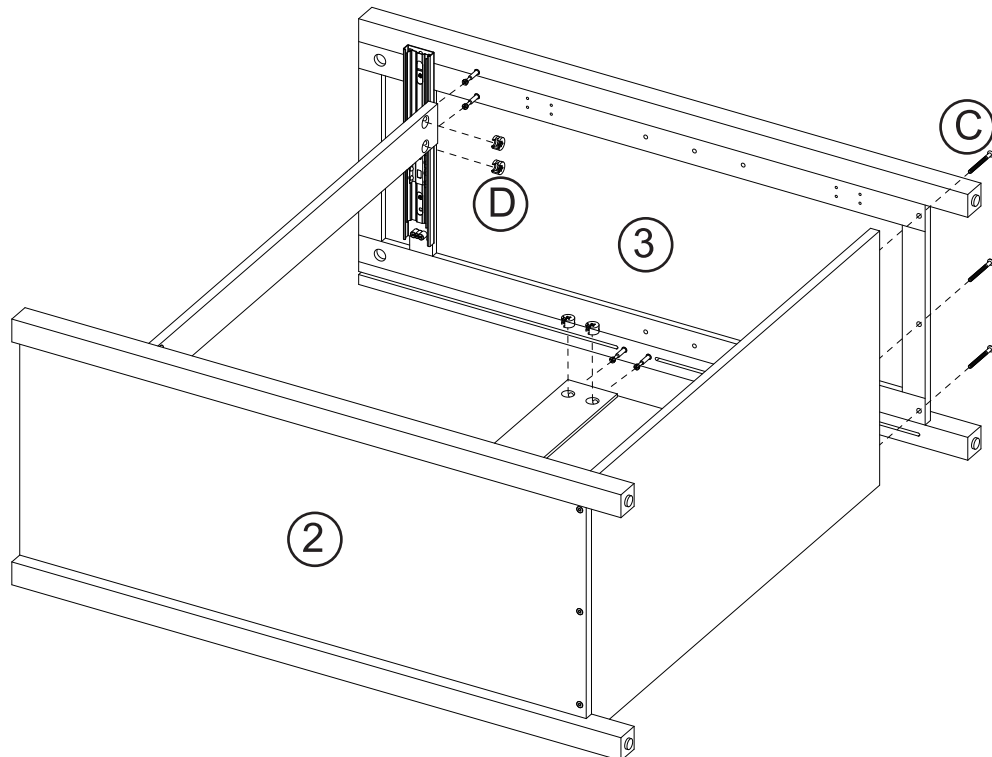
C



X3

**STEP 5** Insert Panel No. 16 into the grooves of Panel No. 4 and Panel No. 6, and ensure it is fully inserted.

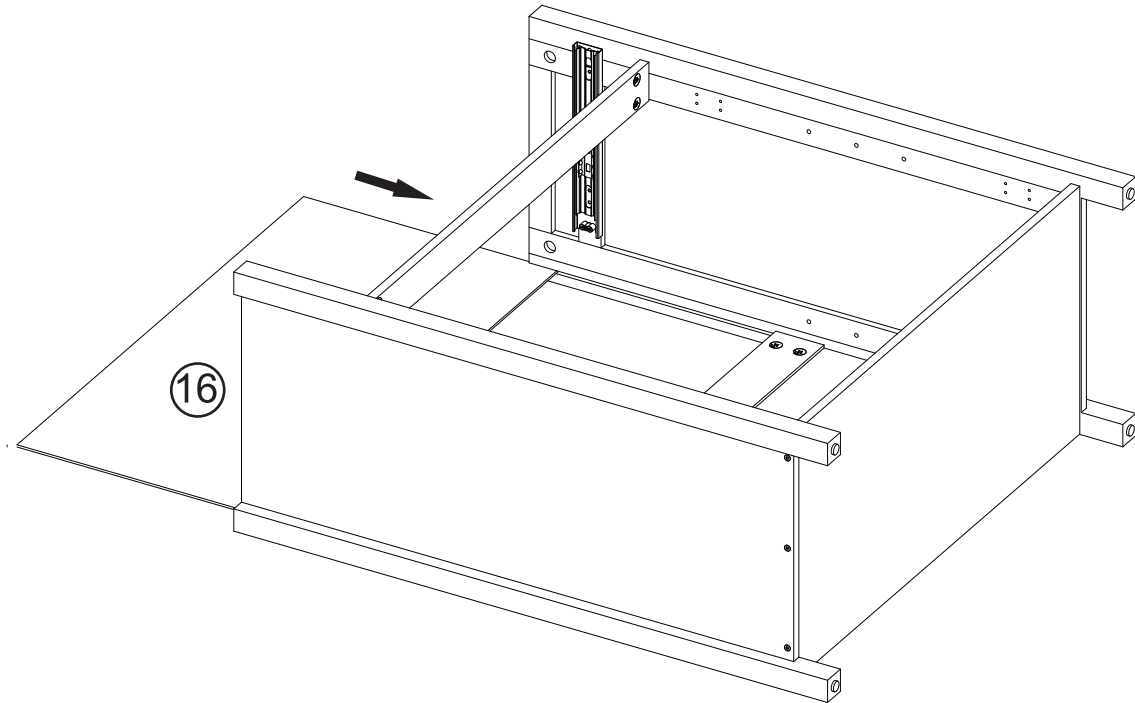


**STEP 6** Use 2 Screw C and 4 Screw D to attach Panel No. 3 to the cabinet. (When installing, make sure to insert Panel No. 16 into the groove of Panel No. 2 before tightening the screws.)

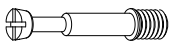
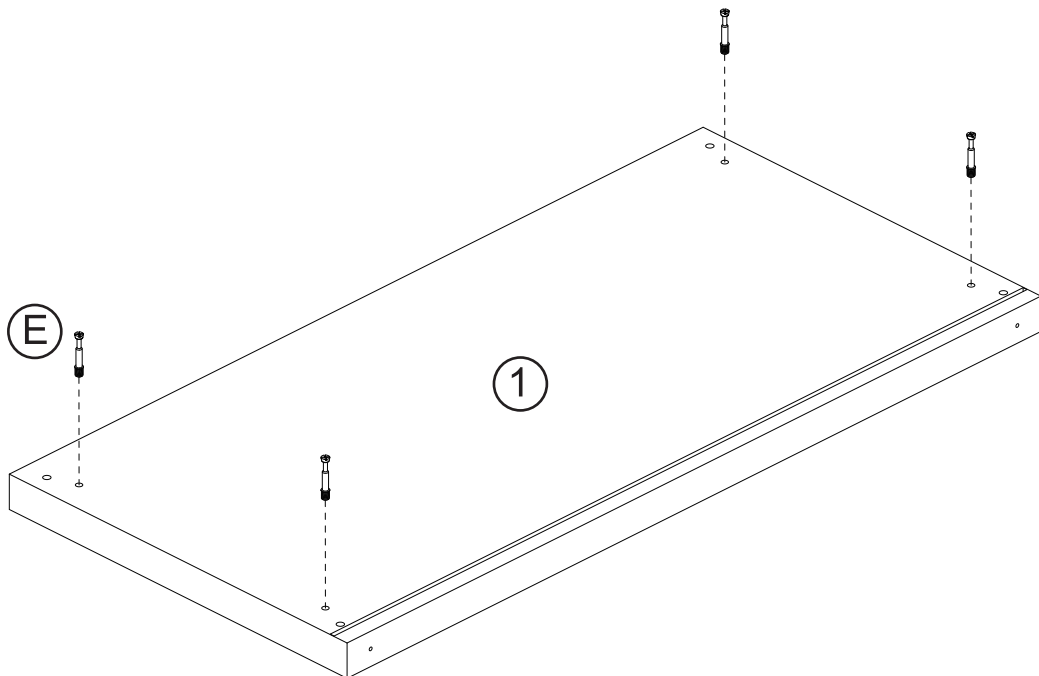


	
<b>C</b>	X3
	
<b>D</b>	X4

**STEP 7** Insert Panel No. 16 into the groove (you may stand the cabinet upright for installation if necessary).



**STEP 8** Fasten 4 Screw E into the corresponding holes

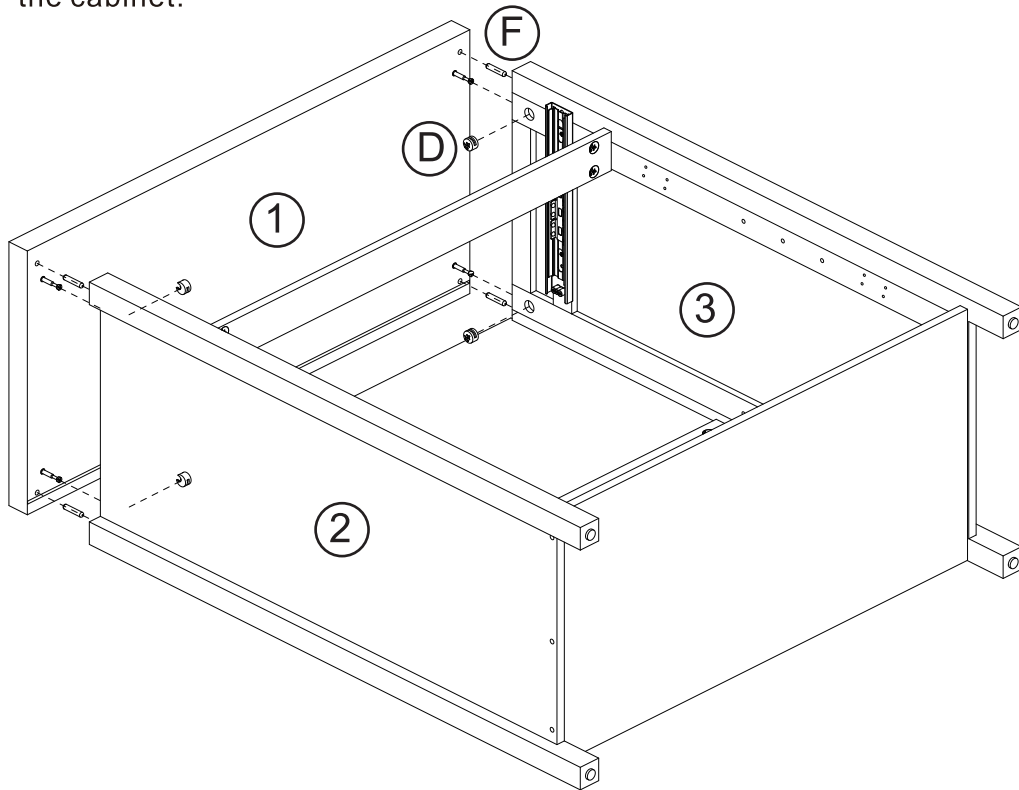


(E)

X4

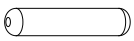
### STEP 9

Use 4 Screw D to attach Panel No. 1 to the cabinet, and make sure to place 4 Wood Dowels F, as this will help increase the stability of the cabinet.



(D)

X4

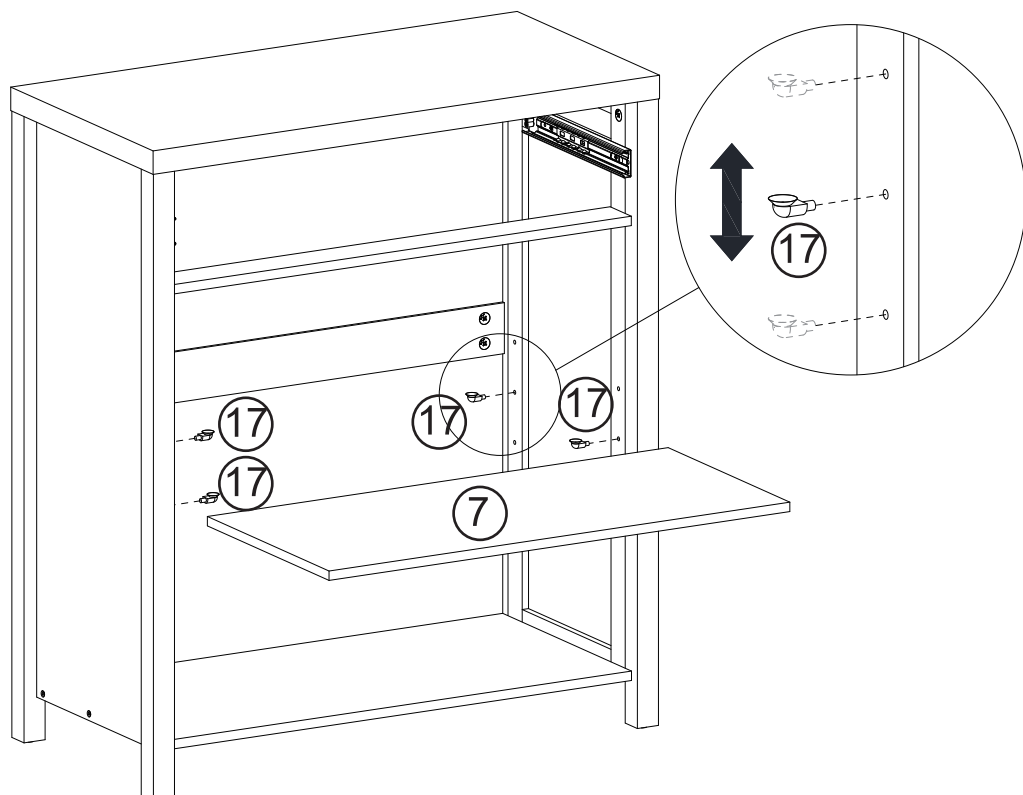


(F)

X4

### STEP 10

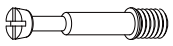
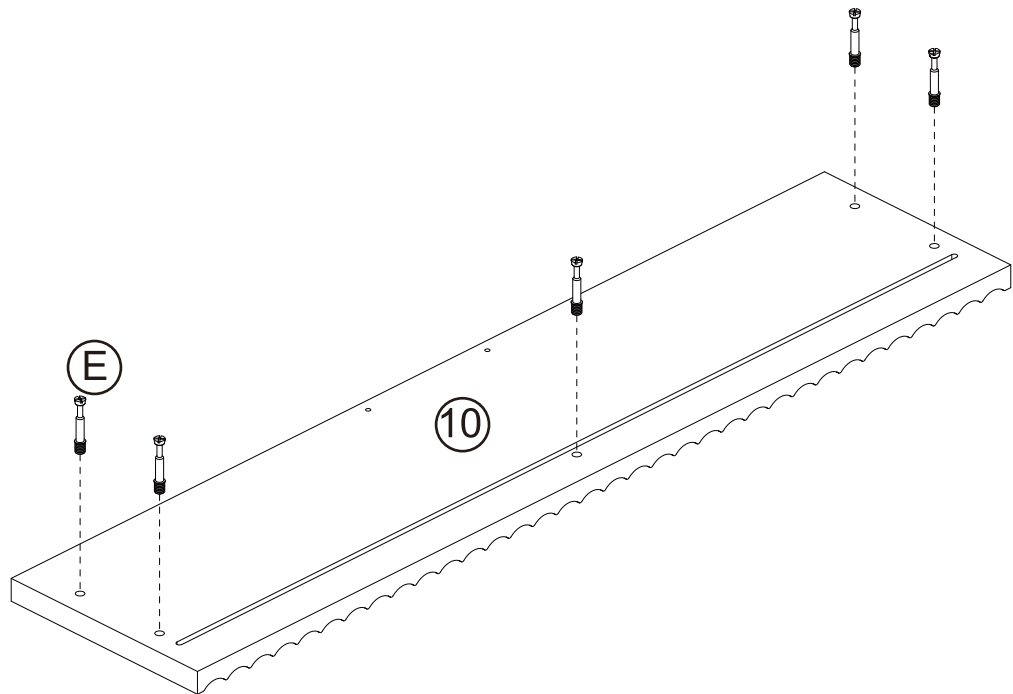
First, insert 4 Shelf Supports No. 17 into the corresponding holes, and then place Panel No. 7 on the shelf supports.



(17)

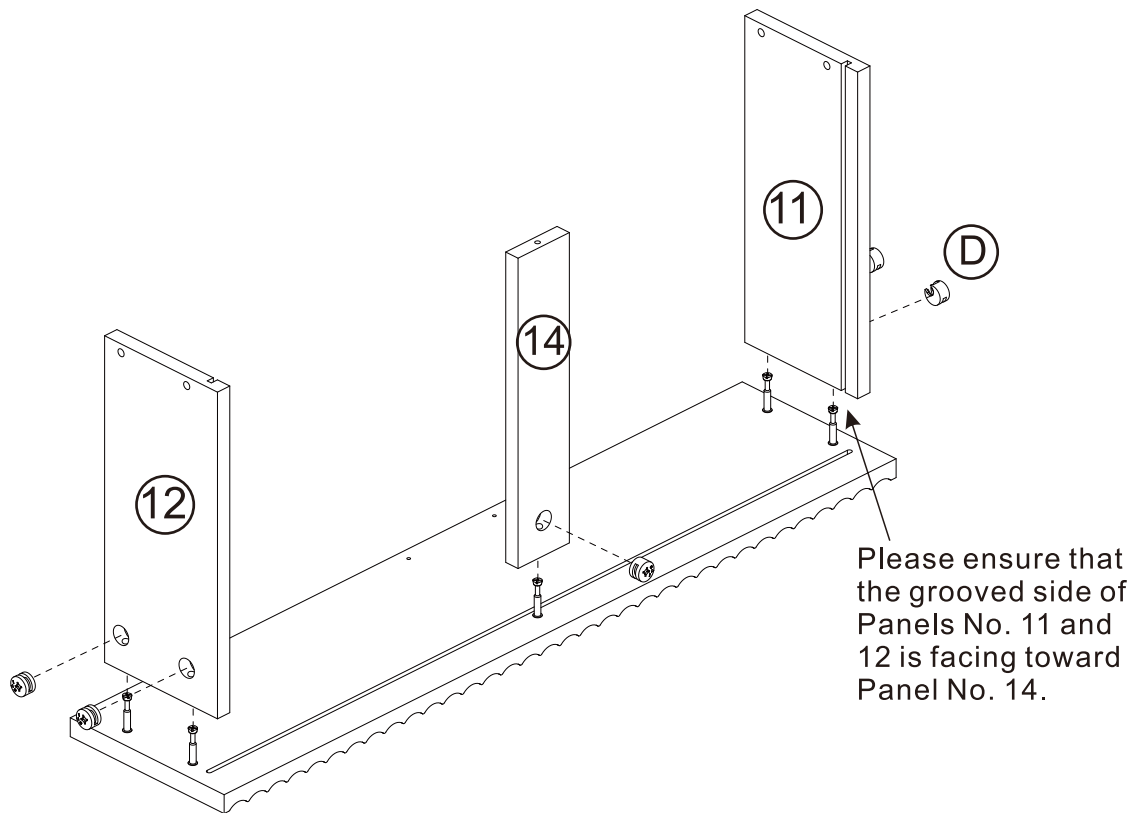
X4

**STEP 11** Install 5 Screw E into the corresponding holes of Panel No. 10.



(E) X5

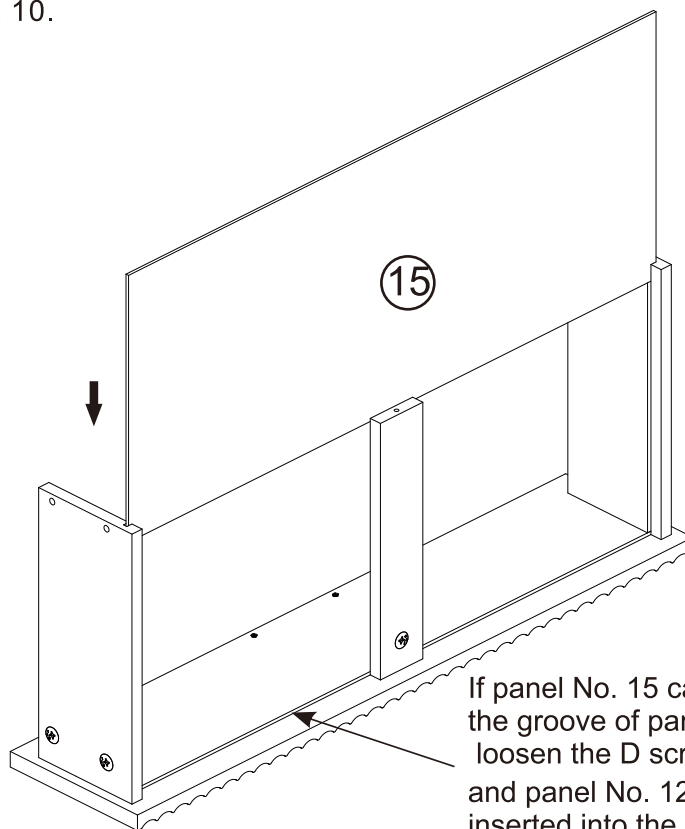
**STEP 12** Use 5 Screw D to attach Panels No. 11, 12, 14 to Panel No. 10.



(D) X5

**STEP 13**

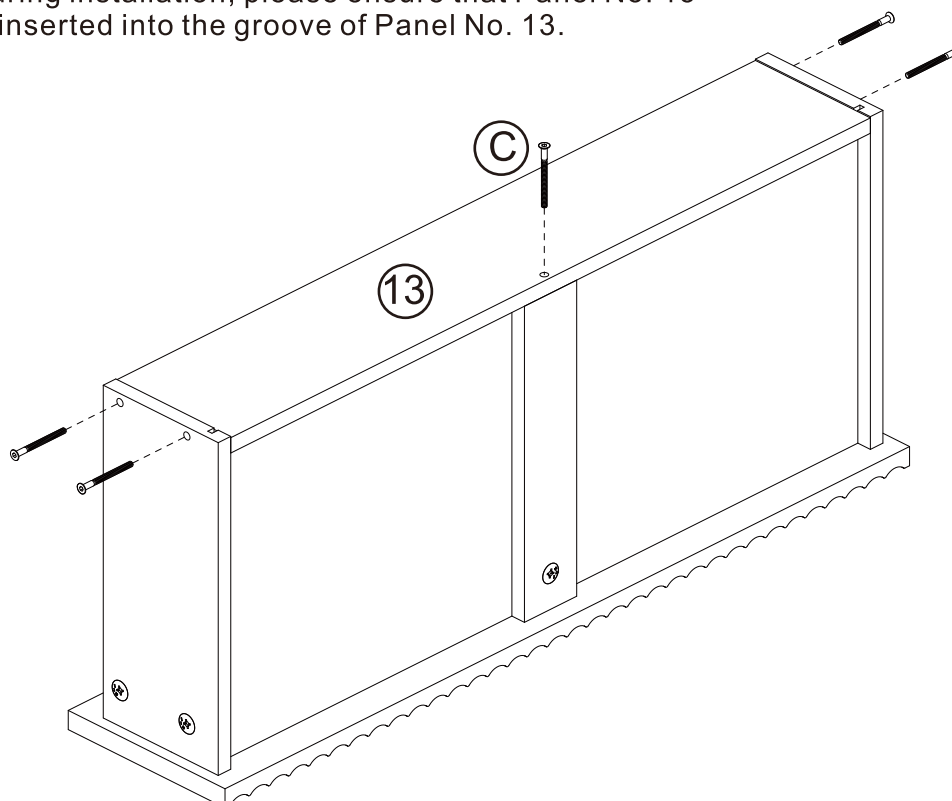
Insert Panel No. 15 into the grooves of Panels No. 11 and 12, Then ensuring it is fully inserted into the groove of Panel No. 10.



If panel No. 15 cannot be inserted into the groove of panel No. 10, you can first loosen the D screws on panel No. 11 and panel No. 12. Once panel No. 15 is inserted into the groove of panel No. 10, tighten the D screws.

**STEP 14**

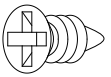
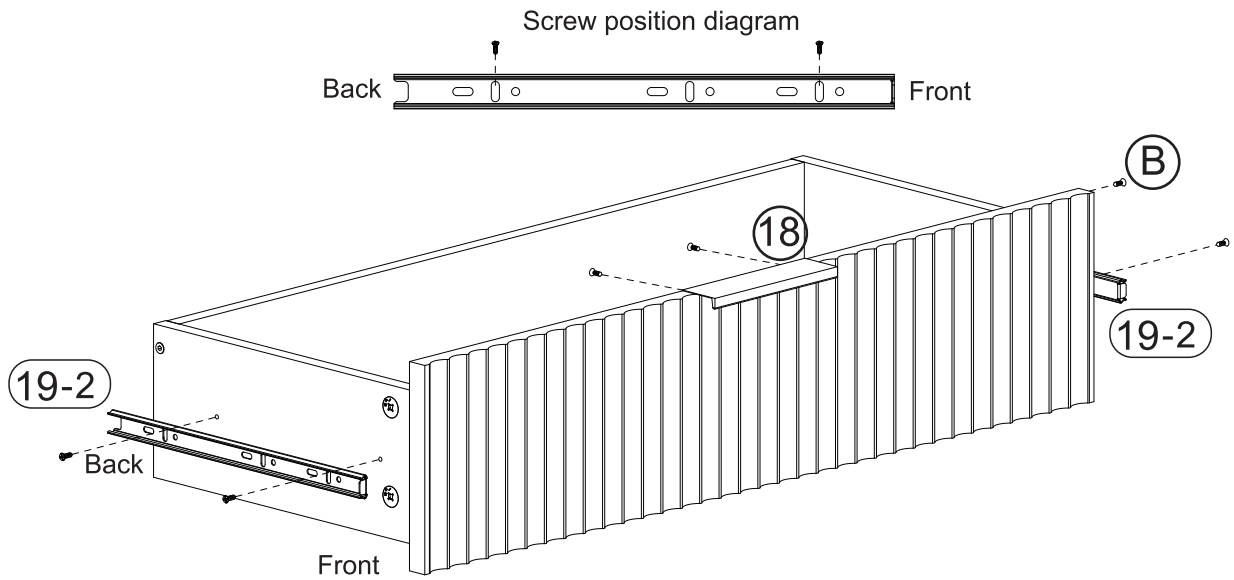
Use 5 Screw C to attach Panel No. 13 to the drawer. During installation, please ensure that Panel No. 15 is inserted into the groove of Panel No. 13.

**C**

X5

### STEP 15

Use 4 Screw B to attach the 2 rails (No. 19-2) to the sides of the drawer. When installing the screws, please ensure they are aligned with the corresponding holes.

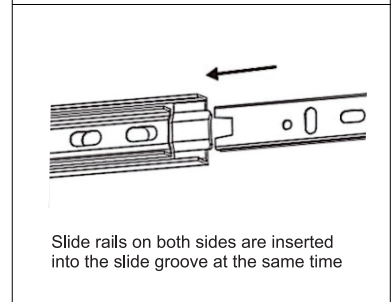
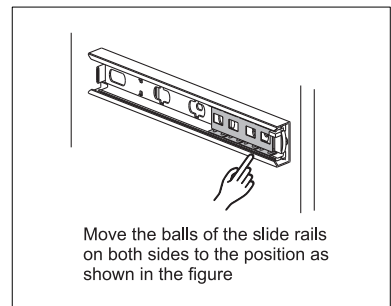
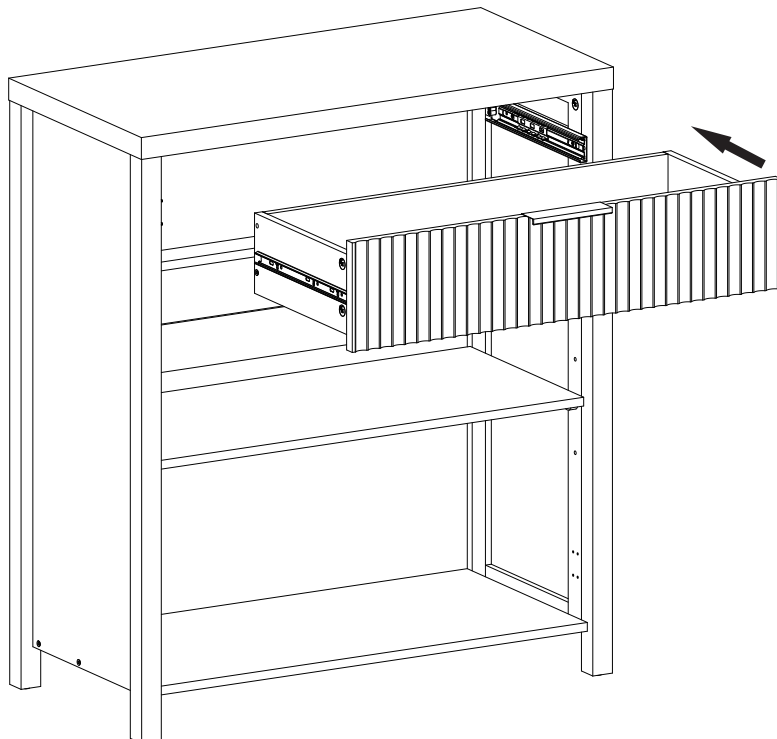


(B)

X6

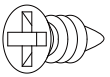
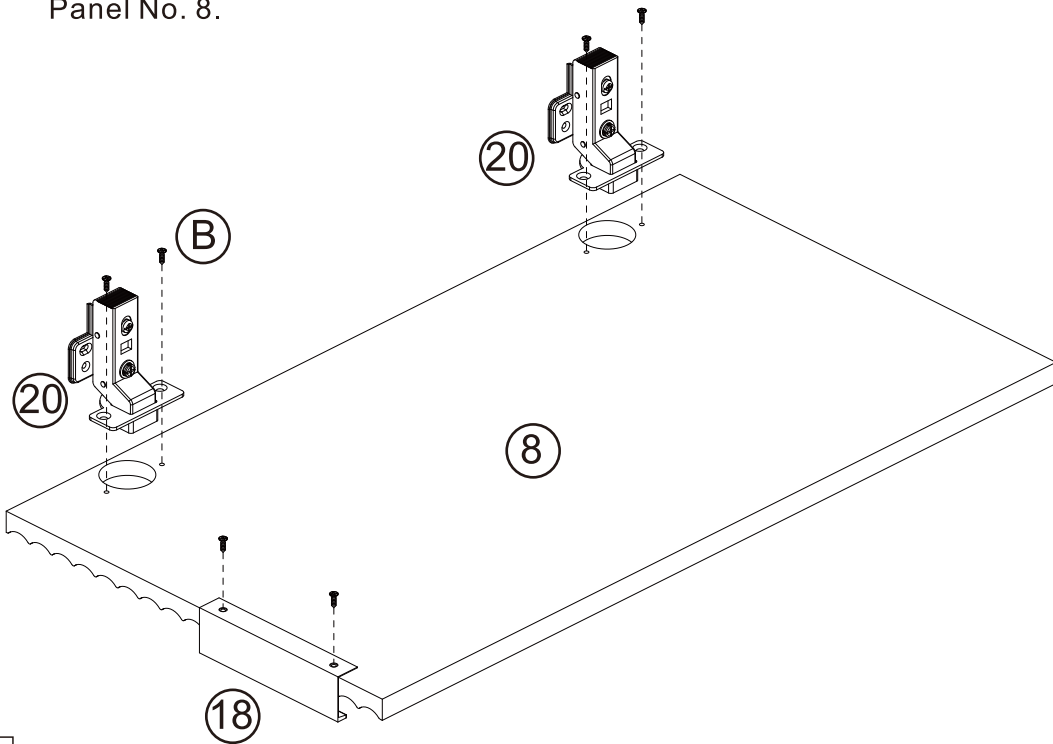
### STEP 16

Note: When assembling the inner rail (No. 19-2), first insert it into the plastic clip. Then, push the inner rail (No. 19-2) parallel to the outer rail (No. 19-1). Forcing it in can cause the rail balls to fall out or become deformed.



**STEP 17**

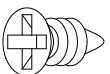
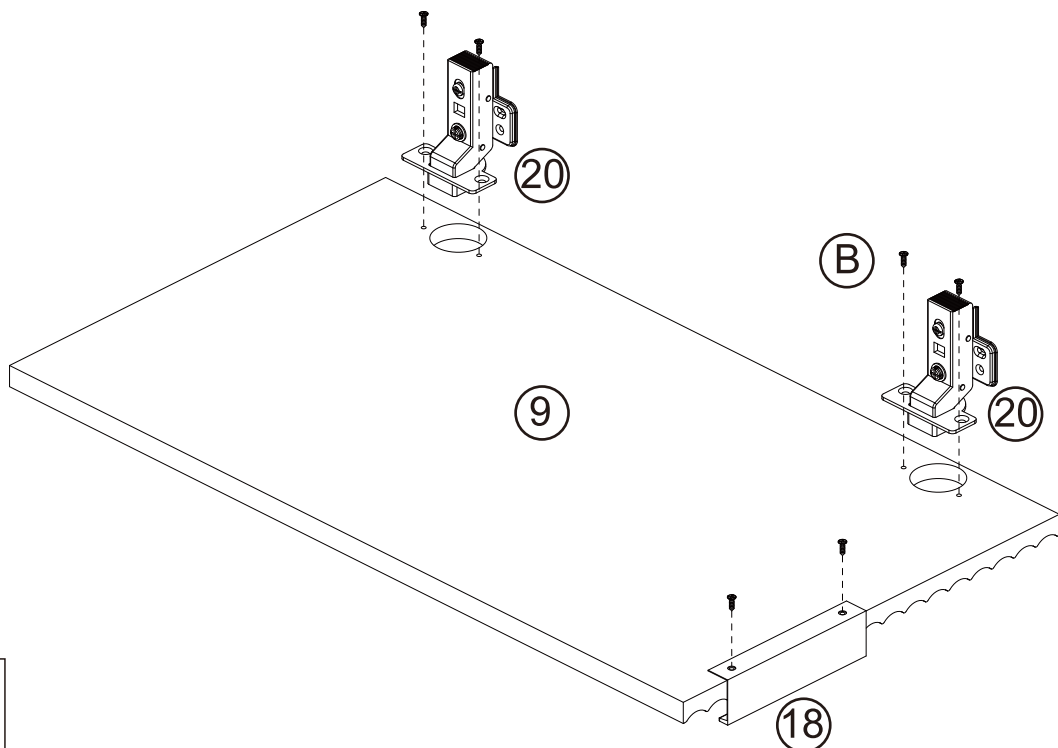
Use 4 Screw B to attach the hinge (No. 20) to Panel No. 8.  
Additionally, use 2 Screw B to assemble the handle (No. 18) onto  
Panel No. 8.

**(B)**

X6

**STEP 18**

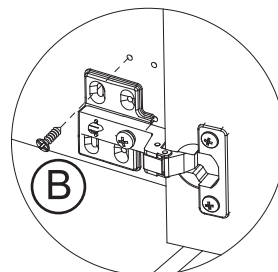
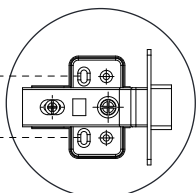
Use 4 Screw B to attach the hinge (No. 20) to Panel No. 9.  
Additionally, use 2 Screw B to assemble the handle (No. 18) onto Panel  
No. 9.

**(B)**

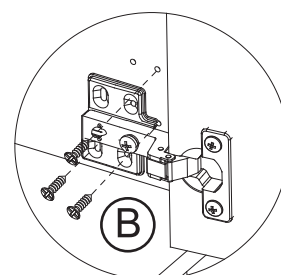
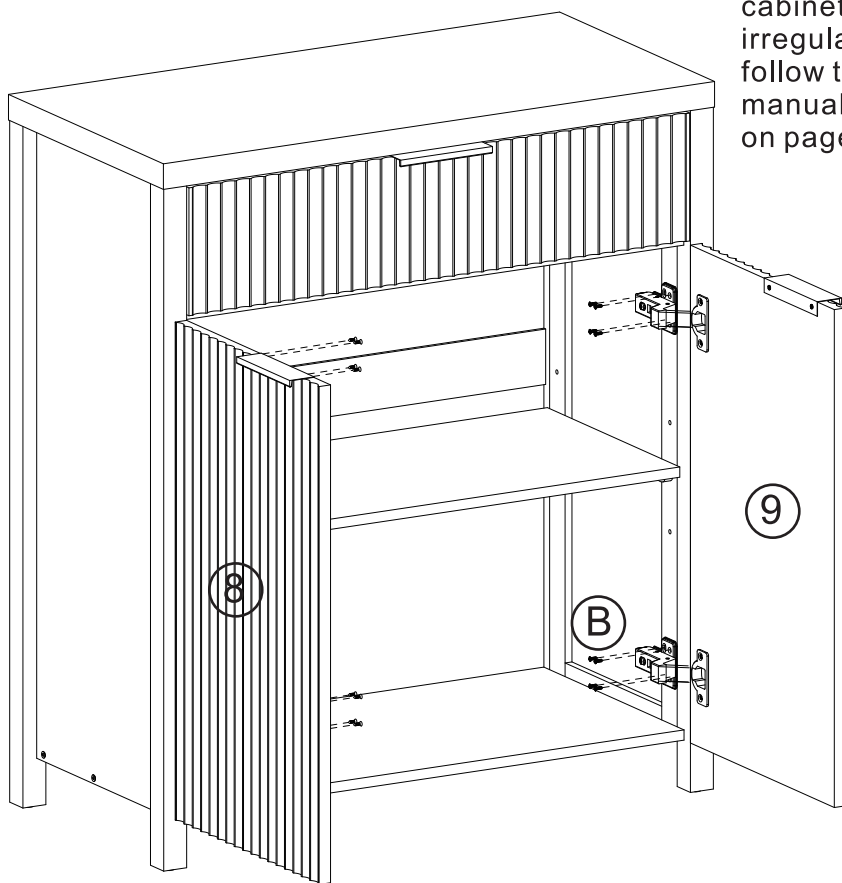
X6

**STEP 19** Attach the cabinet doors to the cabinet. Before installation, please make sure to open the hinges (No. 20).

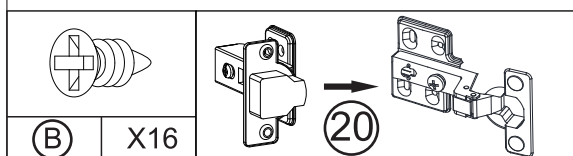
Pre-drilled

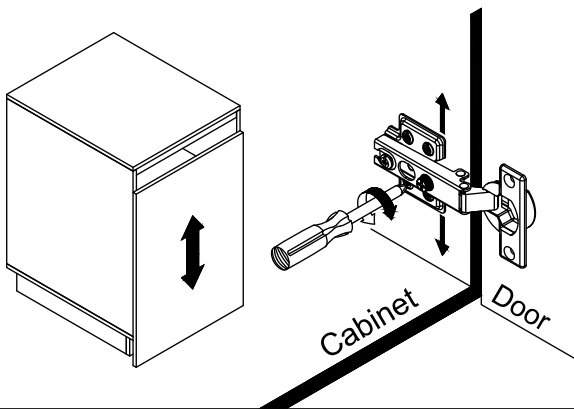
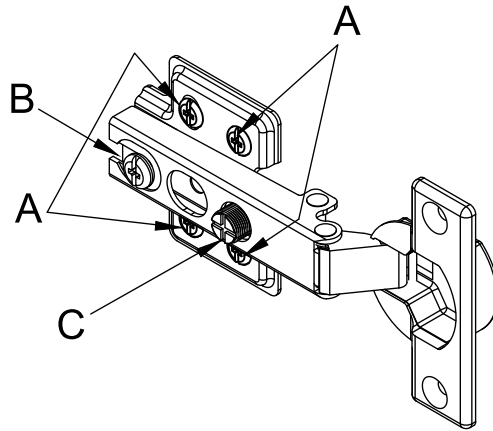


First, install 1 screw (No. B) in the pre-drilled hole of each of the hinges (No. 20) as indicated in the image, then close the cabinet door. If there is too much or irregular spacing in the door, please follow the steps on the next page of the manual (or refer to the instructional video on page three) to adjust the gap.



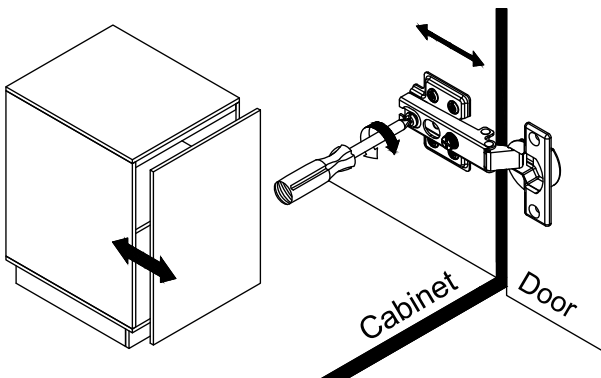
After adjusting the gap, you can lock the other 3 screws. (After adjusting the cabinet doors, there may be slight misalignment in the holes. You can proceed to tighten the screws directly into panel.)





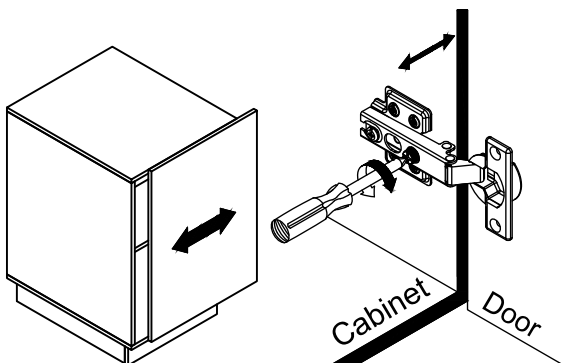
**To adjust the vertical height.**

Loosen the four screws "A" on both hinges. Two of them are usually in slotted holes which allows you to adjust up or down by a few mm. Then tighten back up.



**To adjust depth.**

Loosen screw "B" and adjust door, if the door can not be adjusted, please loosen screw "C", then try again. Tighten screw "B" and "C".

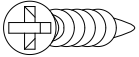
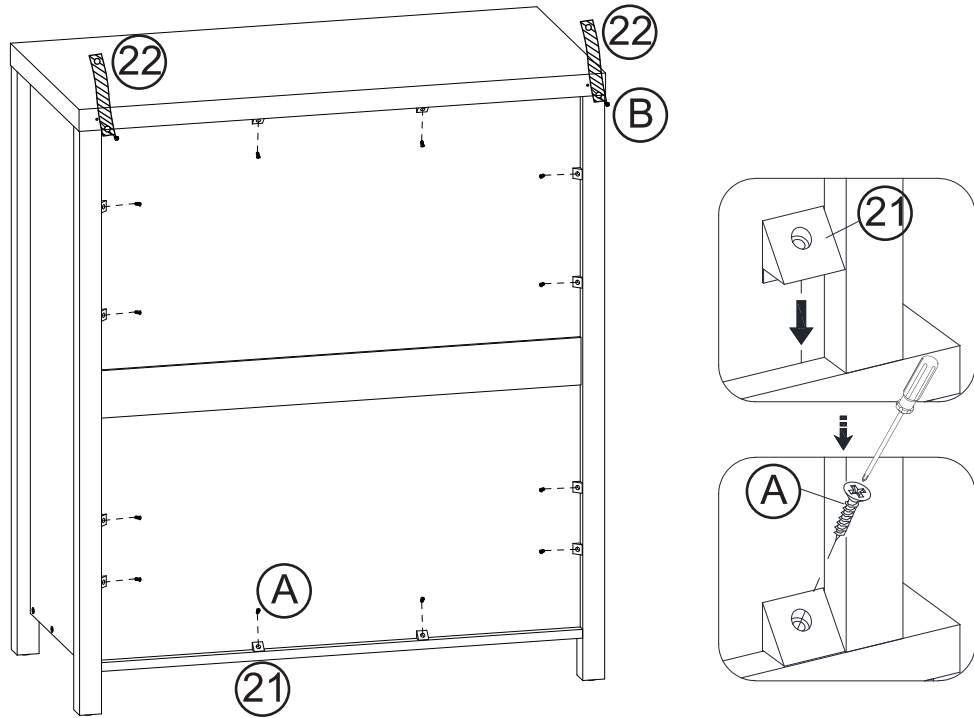


**To adjust side ways.**

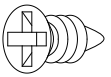
Turning the screw "C" on BOTH hinges on each door.

## STEP 20

Use 12 Screw A to install the back panel clips (No. 21) at the positions shown in the image. Installing the back panel clips will help enhance the stability of the entire cabinet.



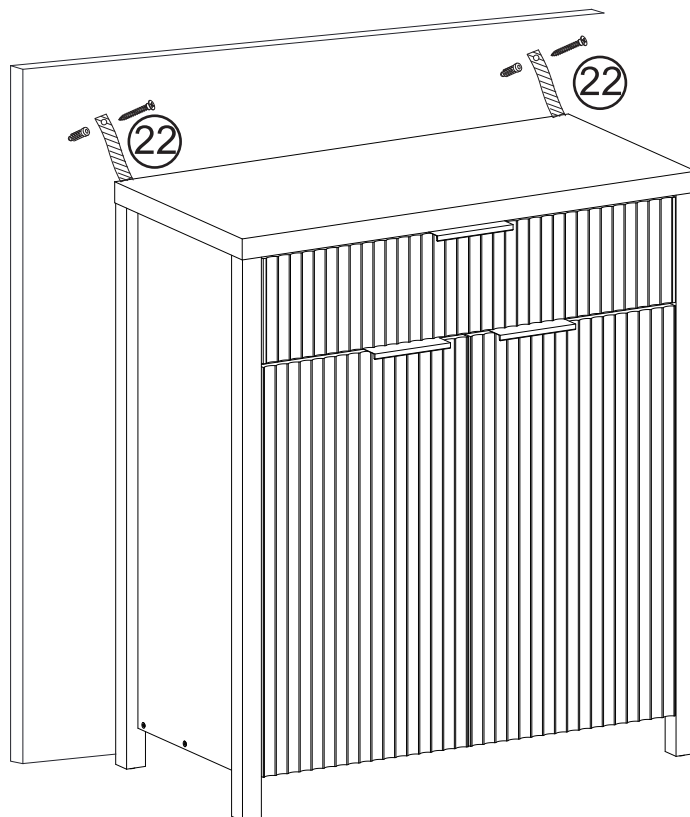
(A) X12

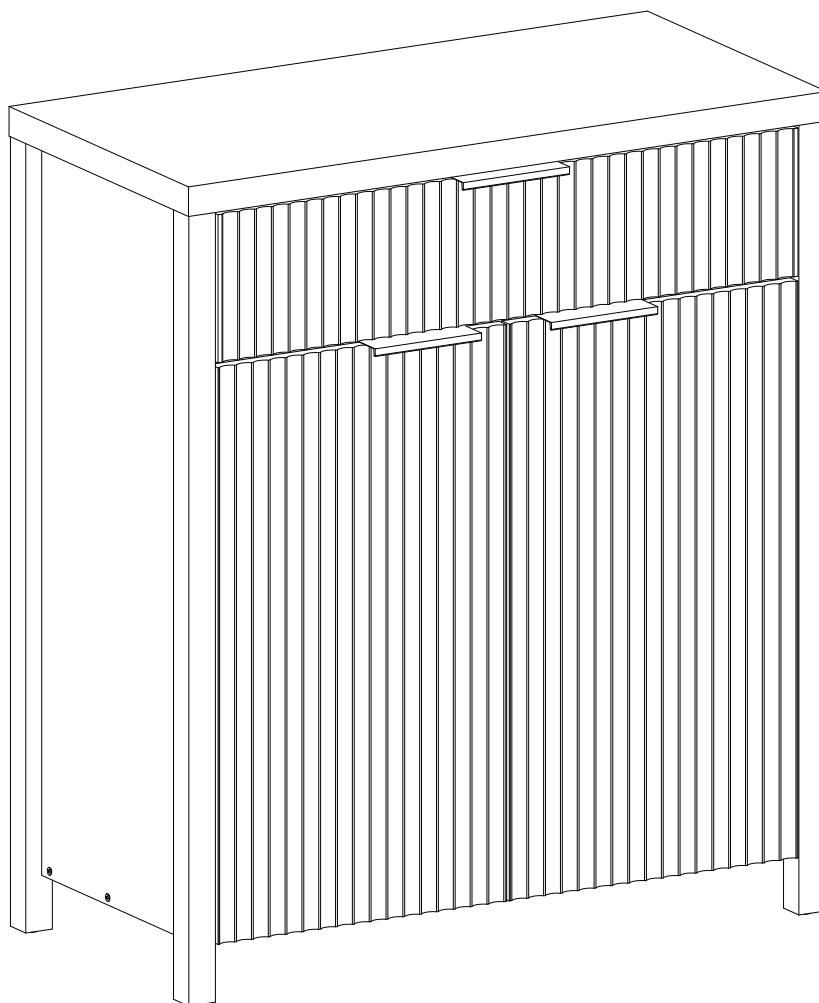


(B) X2

## STEP 21

Use the anti-tip strap (No. 22) to secure the sideboard to the wall, which helps prevent the cabinet from tipping over (especially if there are children, it is advisable to install it).





Wow, you assembled the sideboard incredibly well! It looks amazing.  
You really did it!  
You've completed a great challenge!