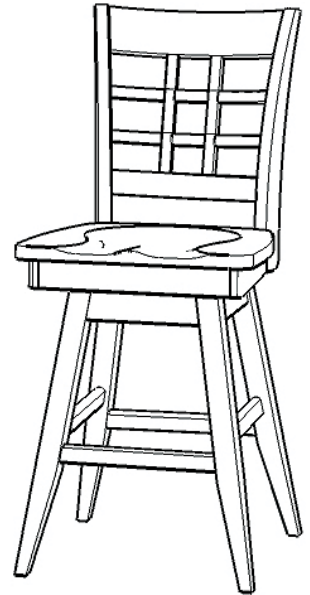


Counter Stool

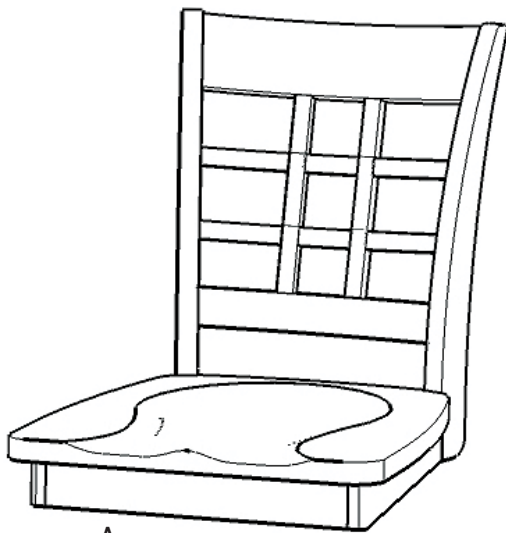
IMPORTANT NOTE

Carefully remove all the parts from the carton and put them individually on a soft cloth to prevent scratches or other damages occurring to the wood parts.

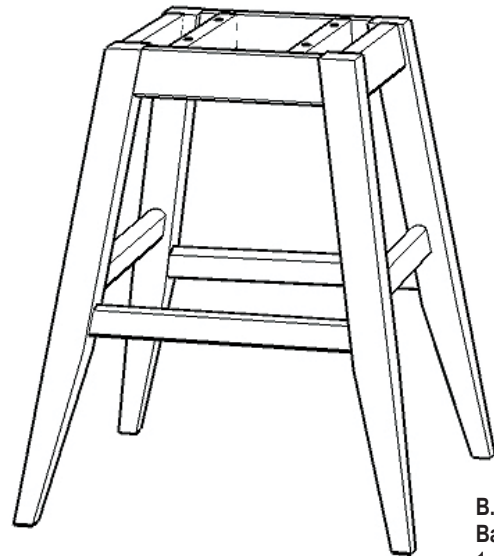
We have taken great care in the design of this product and request that you carefully and strictly follow our assembly instructions to ensure a completed product as it was designed.



PART LIST

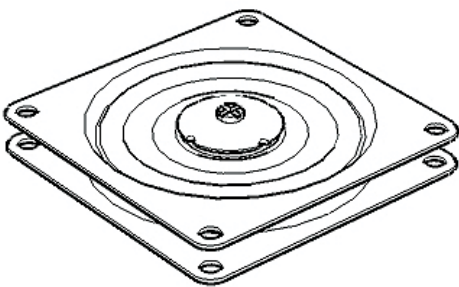


A.
Seat
1 pc.



B.
Base
1 pc.

HARDWARE LIST



Swivel
1 pc.



Hex Wrench
1 pc.



Small Hex Wrench
1 pc.



Spring Washer
8 pcs. (+ 1 extra)



Head Cap Bolt
8 pcs. (+ 1 extra)

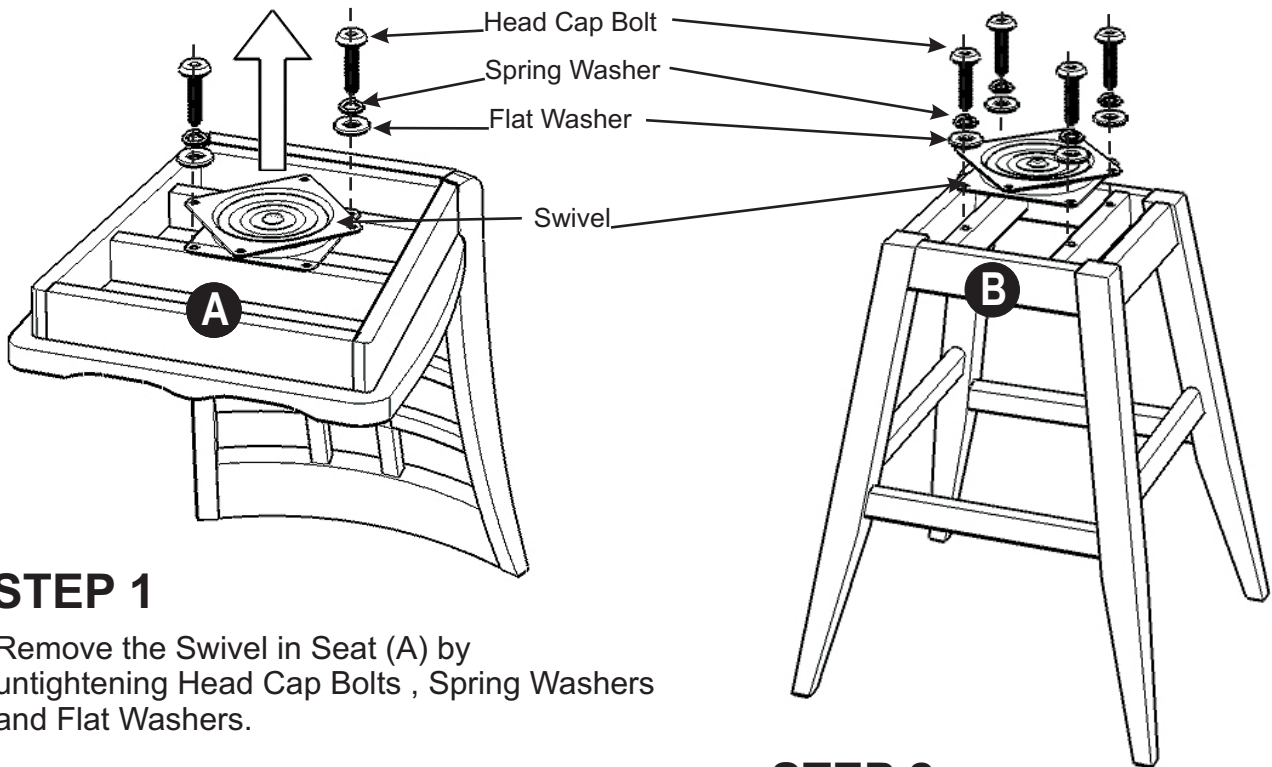


Flat Washer
8 pcs. (+ 1 extra)

Assembly Instructions 2/2

IMPORTANT

You should keep Hex Wrench in a safe place as you may need to tighten the Head Cap Bolts in the future.

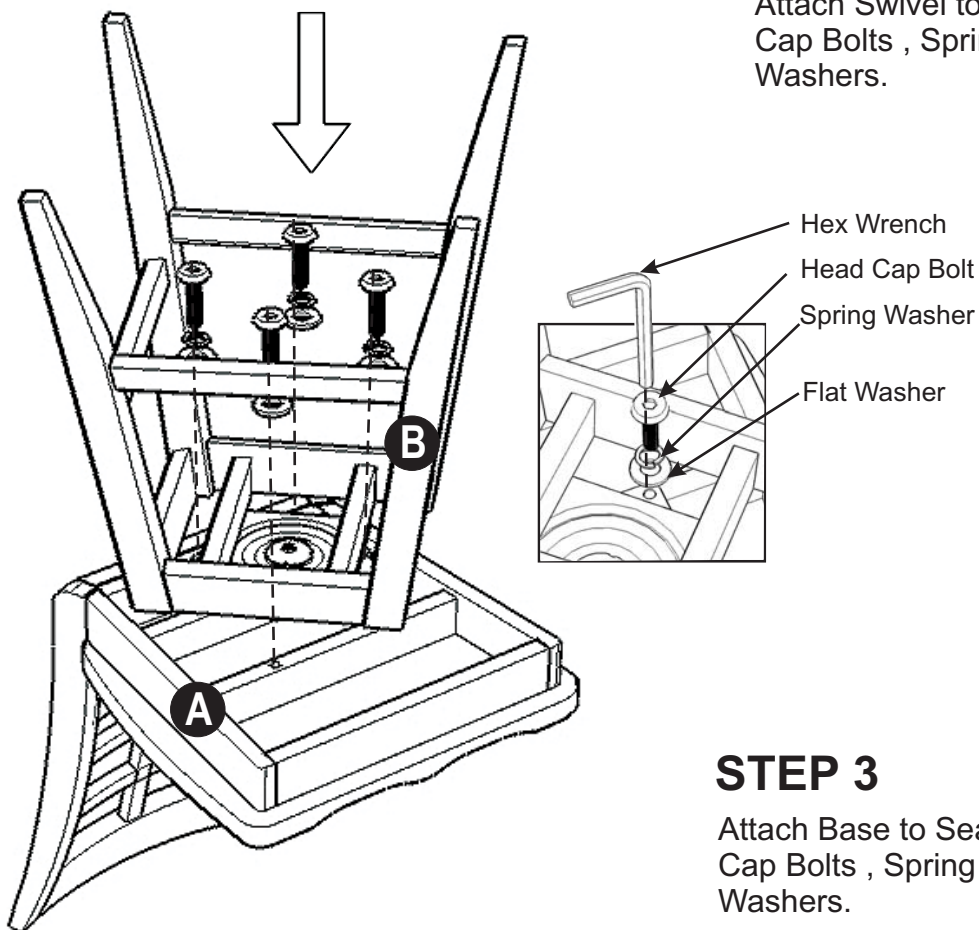


STEP 1

Remove the Swivel in Seat (A) by untightening Head Cap Bolts , Spring Washers and Flat Washers.

STEP 2

Attach Swivel to Base (B) with Head Cap Bolts , Spring Washers and Flat Washers.



STEP 3

Attach Base to Seat (A) with Head Cap Bolts , Spring Washers and Flat Washers.