

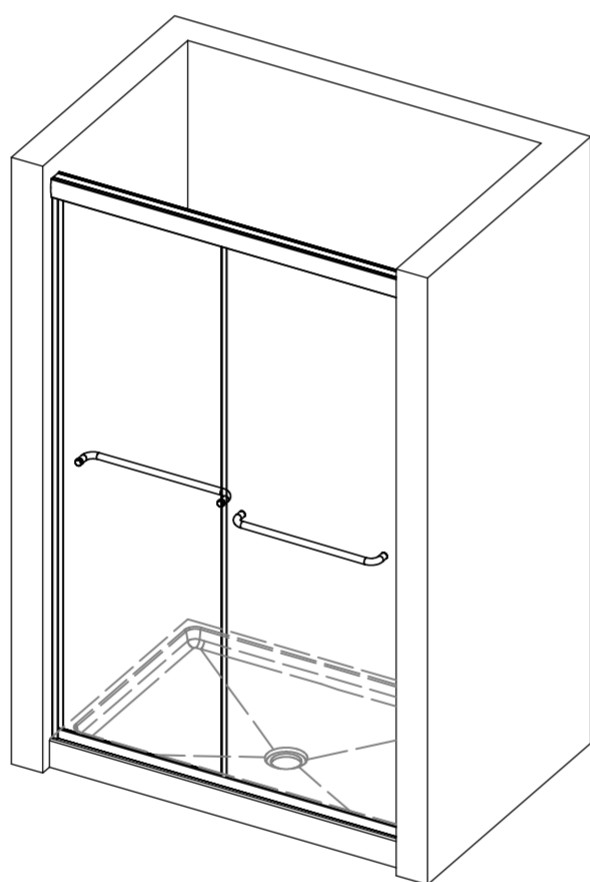
Shower Door
1/4" glass (6mm)

INSTALLATION GUIDE

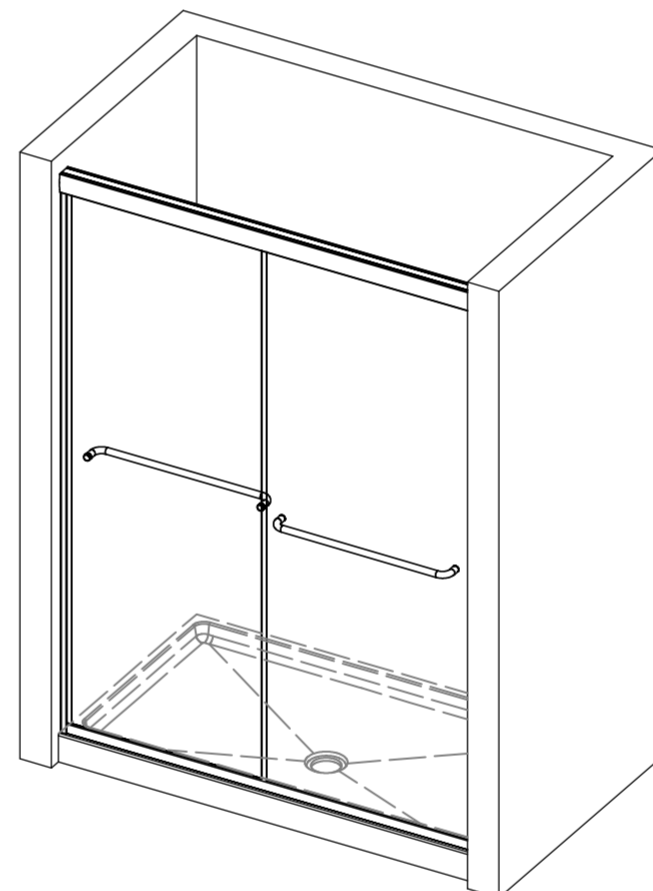
CAUTION: To reduce the risk of breakage, keep corner protectors on glass while installing. Keep corner protectors for use in case future adjustments are needed. Consult your local plumbing codes prior to installation.

Recommended Clearance Heights for Installation:
58 inches (147.3 cm)、 70 inches (177.8 cm)

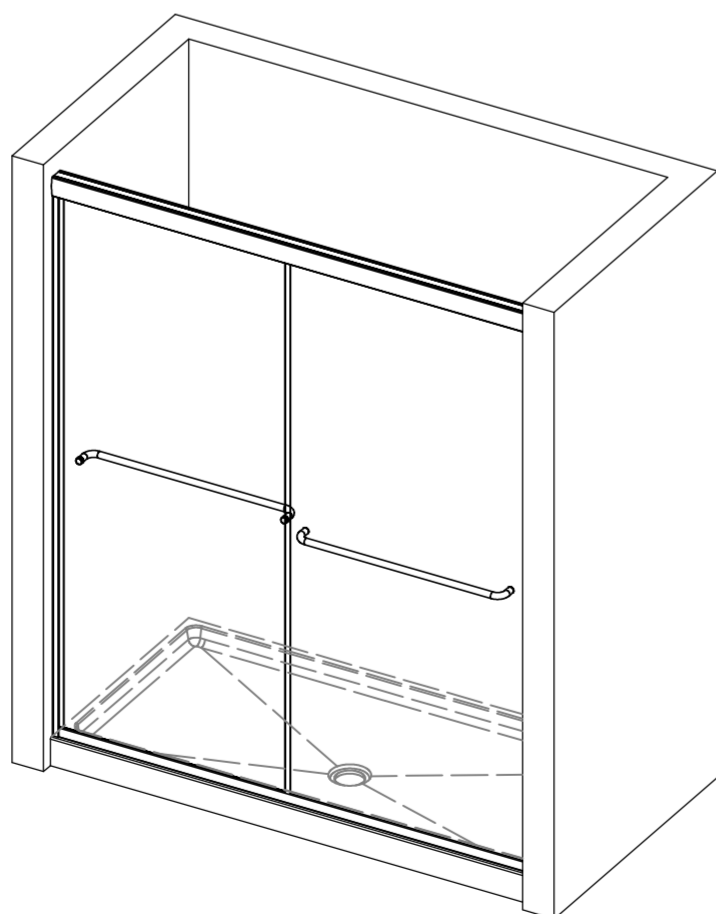
Recommended Width for Installation:
60-inch enclosure:
58 - 60 inches (147.3- 152.4 cm)
54-inch enclosure:
52 - 54 inches (132.1- 137.2 cm)
48-inch enclosure:
46 - 48 inches (116.8- 121.9 cm)



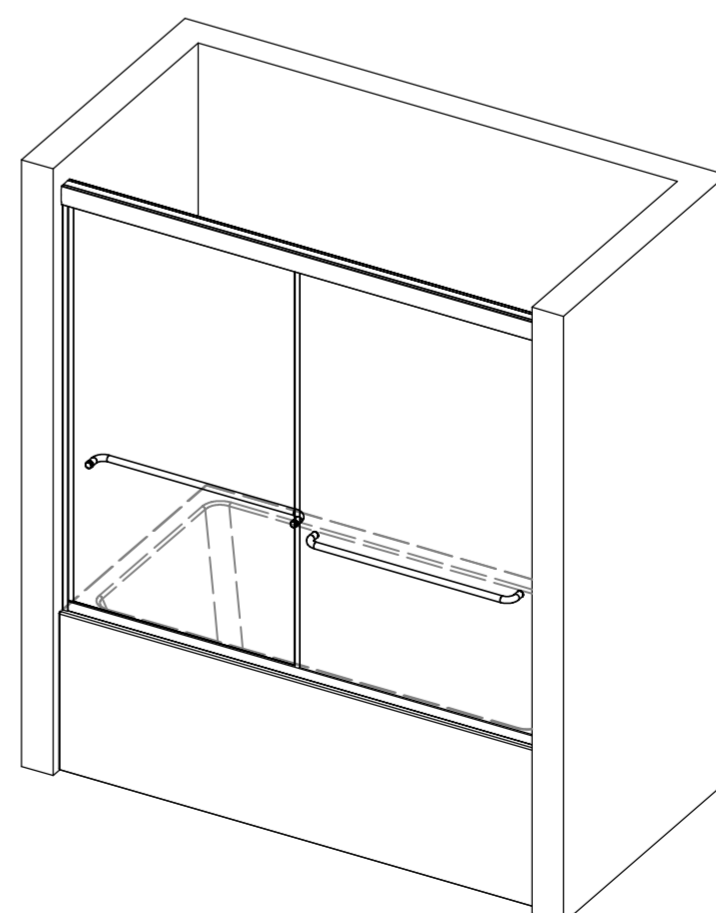
48X70 inch Enclosure



54X70 inch Enclosure



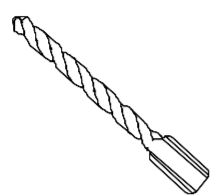
60X70 inch Enclosure



60X58 inch Enclosure

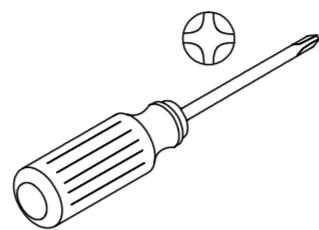
TOOLS REQUIRED

Drill Bits

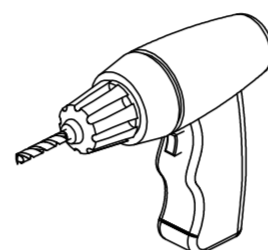


Ø1/4" (6mm) & Ø1/8" (3mm) dia.
HSS

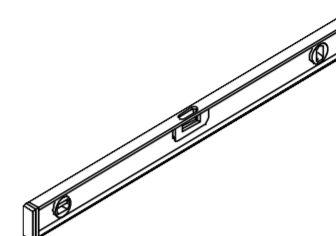
Screw Driver



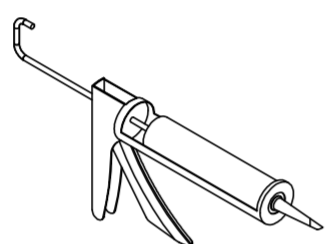
Drill



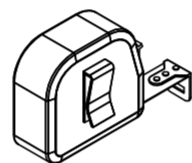
Level



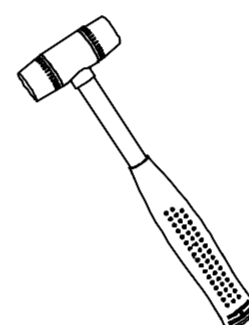
Silicone



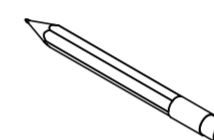
Measuring Tape



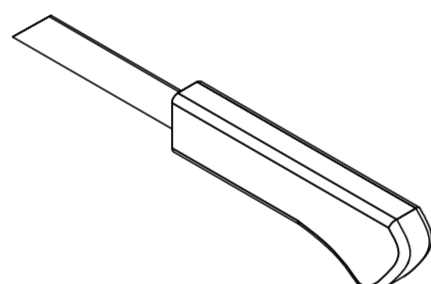
Soft Head Hammer



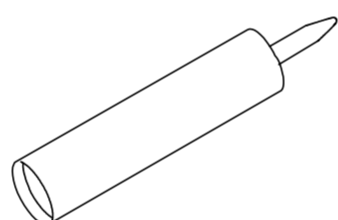
Pencil



Knife



Sealant



MASONRY DRILL BIT FOR TILE Ø6mm



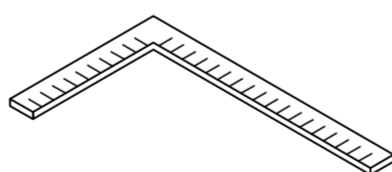
Safety Glasses



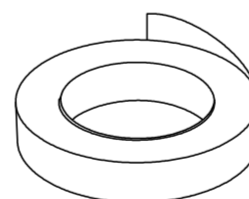
Glove



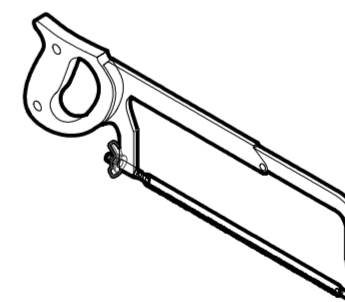
Carpenter's Squarer



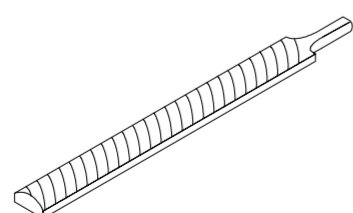
Masking or painter's tape



Hack Saw



Metal File



CAUTION: When cutting or drilling metal components or when handling glass, to reduce the risk of personal injury, protective eye wear, gloves, and closed-toe shoes are required.

SAFETY INFORMATION

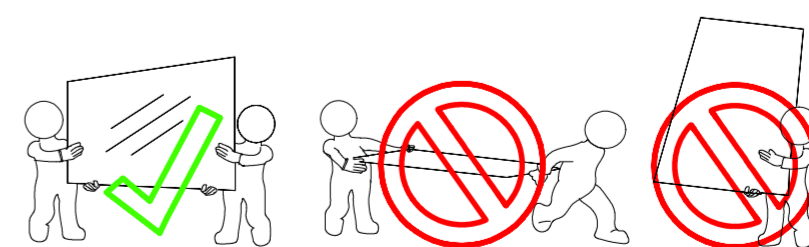
CAUTION

Please carefully read the following important safety information before handling or installing this shower. There is a risk of serious injury while handling this product.

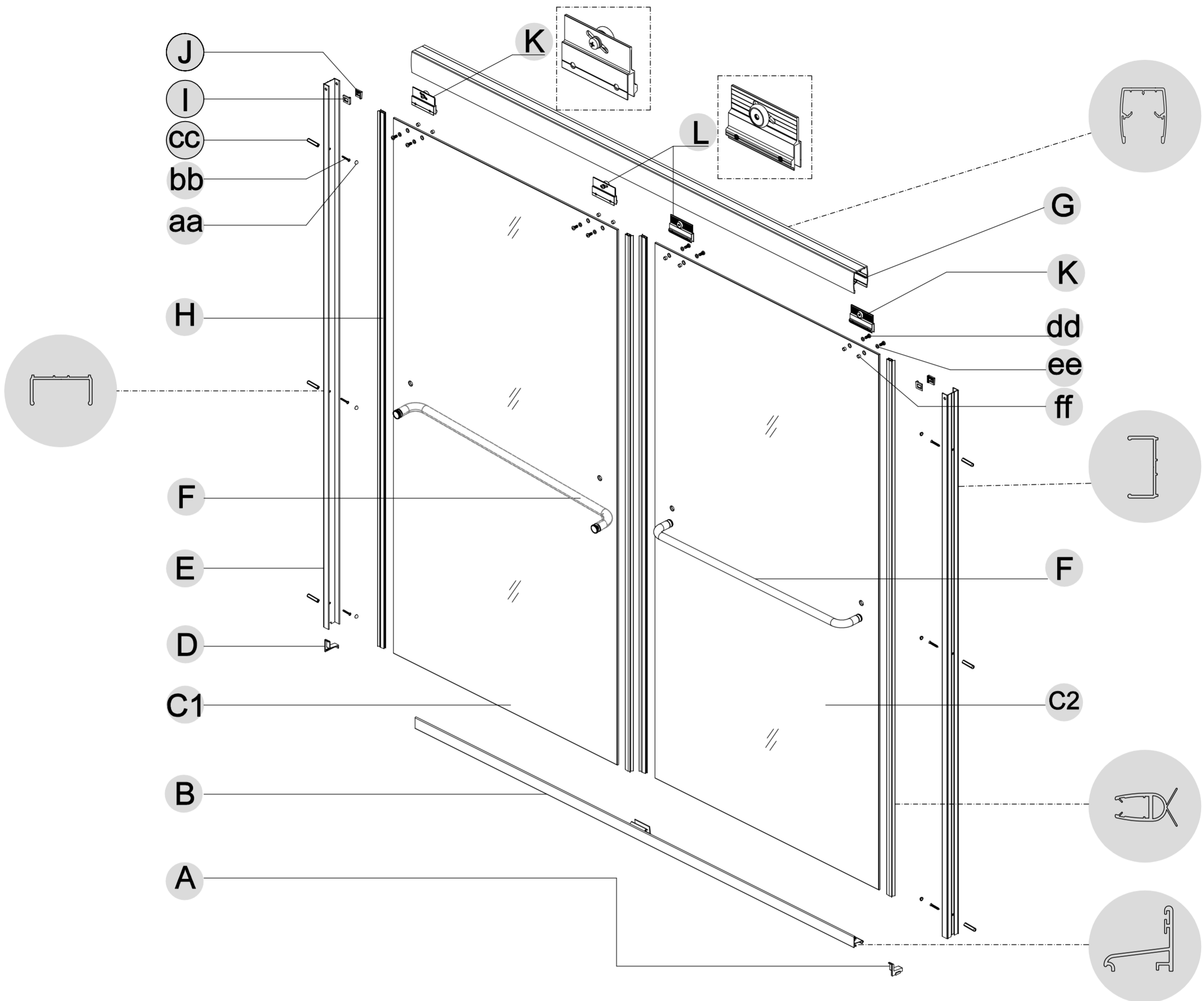
To minimize these risks, please note:

- Always wear safety glasses and gloves while handling.
- Always follow the installation instructions.
- Inspect glass for damage before installation.
- Extreme caution should be taken while handling the glass during installation as the tempered glass may shatter if in contact with a hard surface.
 - Do not cut or modify the tempered glass as it will shatter if cut.
 - Carefully remove product from packaging and keep packaging until installation is complete.
 - Inspect all parts for damage or missing; if there is damage or part missing to the unit prior to installation, please contact customer service at the number provided in this guide.
 - Cover the drain with tape to prevent the loss of small parts.
 - The shower base and finished walls should be installed before beginning the shower door installation.
 - During the installation, protect the shower floor with a drop cloth to avoid damage.
 - This product should be installed by two people who are familiar with construction requirements. Professional installation is recommended!
 - Keep this installation manual for future reference.

NOTE: Two people should perform this installation.



DOOR ASSEMBLY



CARTON PARTS IDENTIFICATION

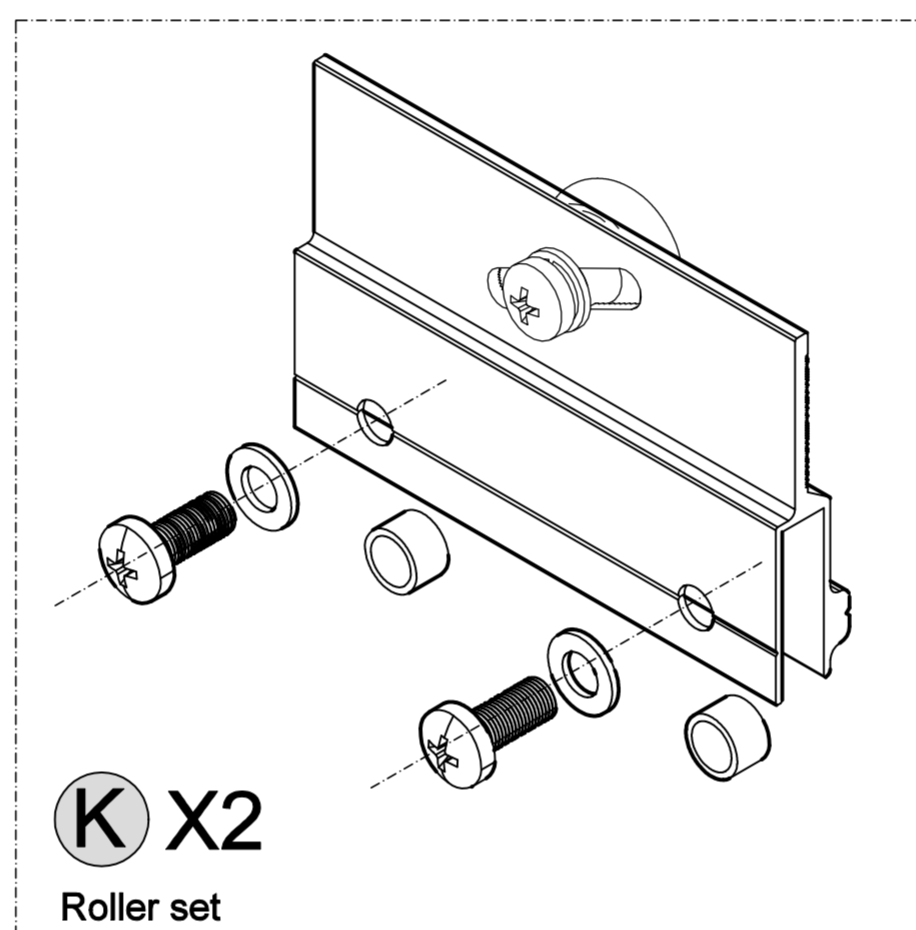
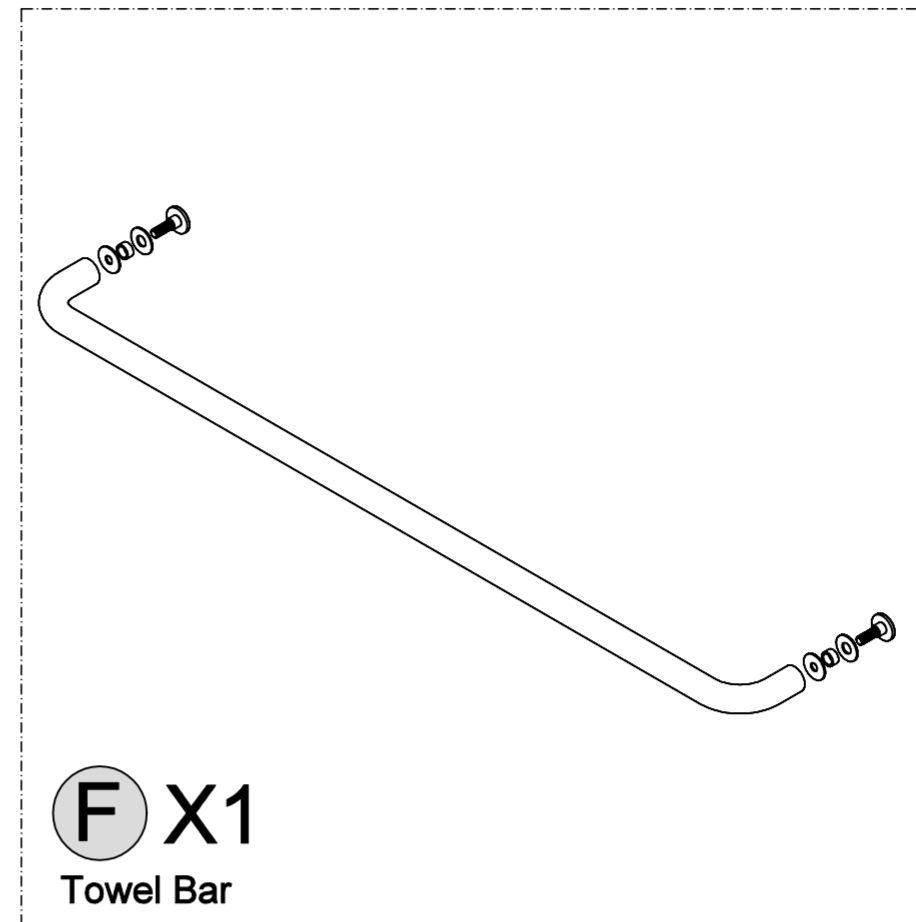
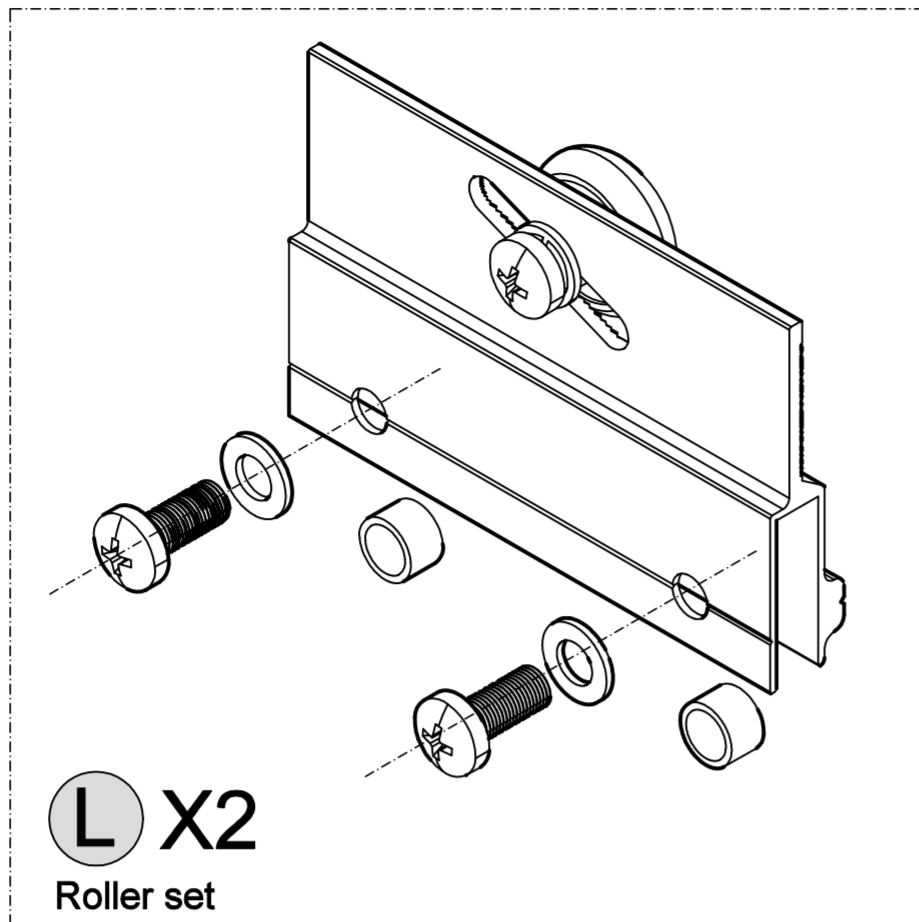
See following pages for detailed component diagrams

PART#	DESCRIPTION	QTY
A	Bottom threshold cap (R)	1
B	Bottom Rail	1
C1	Inside Door panel	1
C2	Outside Door panel	1
D	Bottom threshold cap (L)	1
E	Wall Jamb	2
F	Towel Bar	2

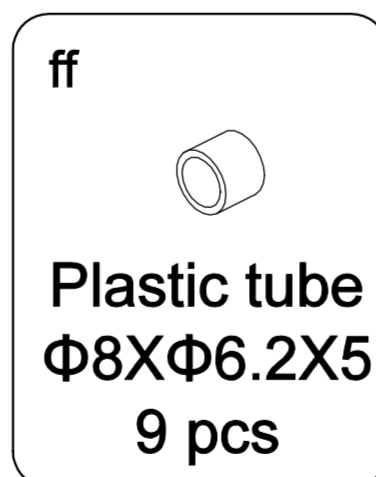
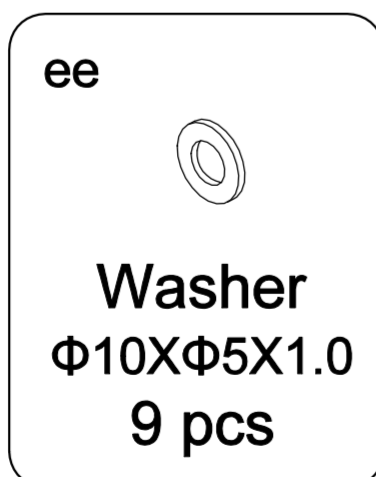
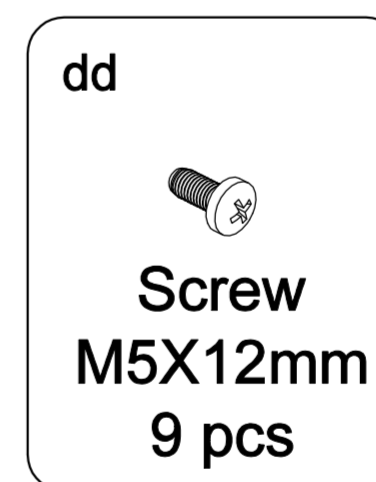
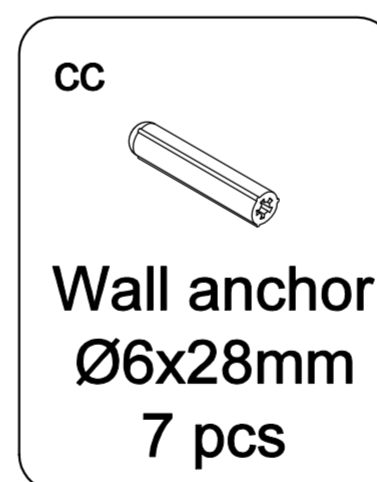
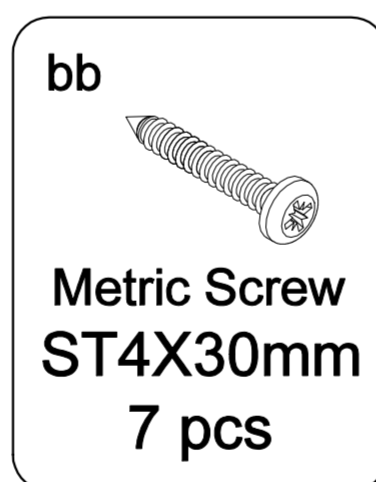
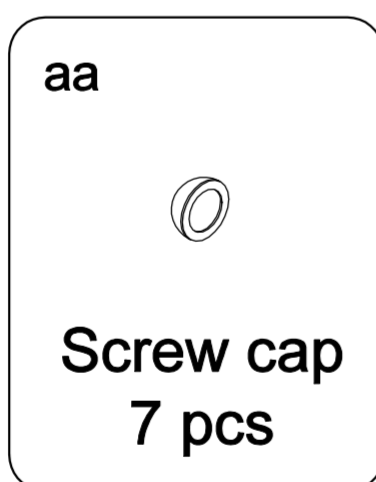
PART#	DESCRIPTION	QTY
G	Upper Guide Rail	1
H	PVC seal	4
I	Upper guide rail lock(L)	2
J	Upper guide rail lock(R)	2
K	Roller set (L)	2
L	Roller set (R)	2

CARTON PARTS IDENTIFICATION

See following pages for detailed component diagrams



HARDWARE CONTENT



Additional spare parts are included.

**NOTE: Inspect all parts for missing prior to installation!
Contact us for any part missing.**

Model Specific Preparation

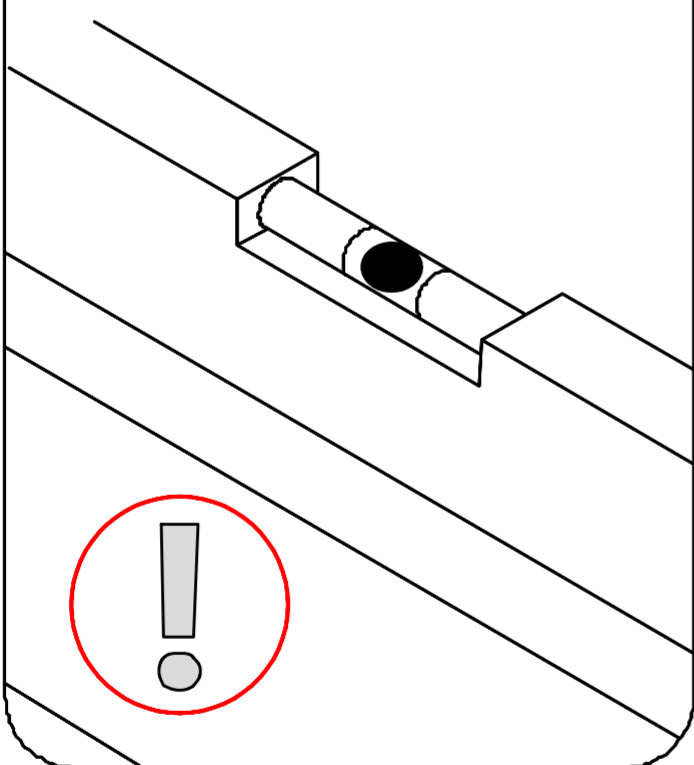


REQUIRED:

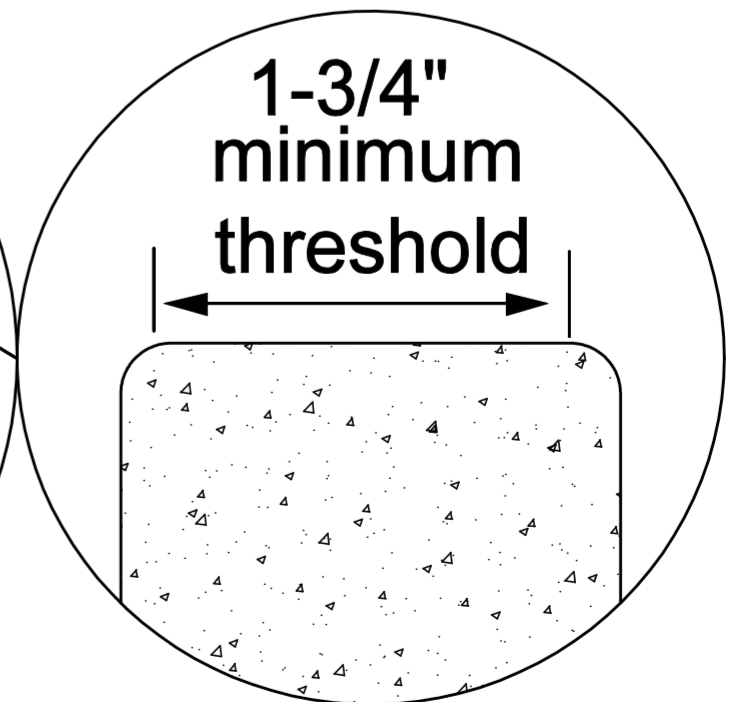
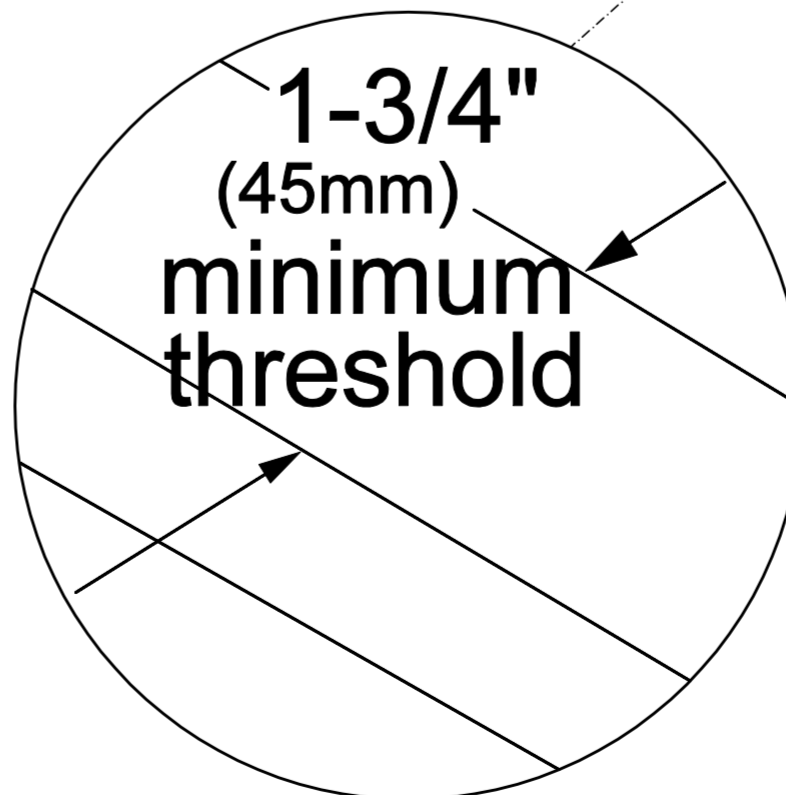
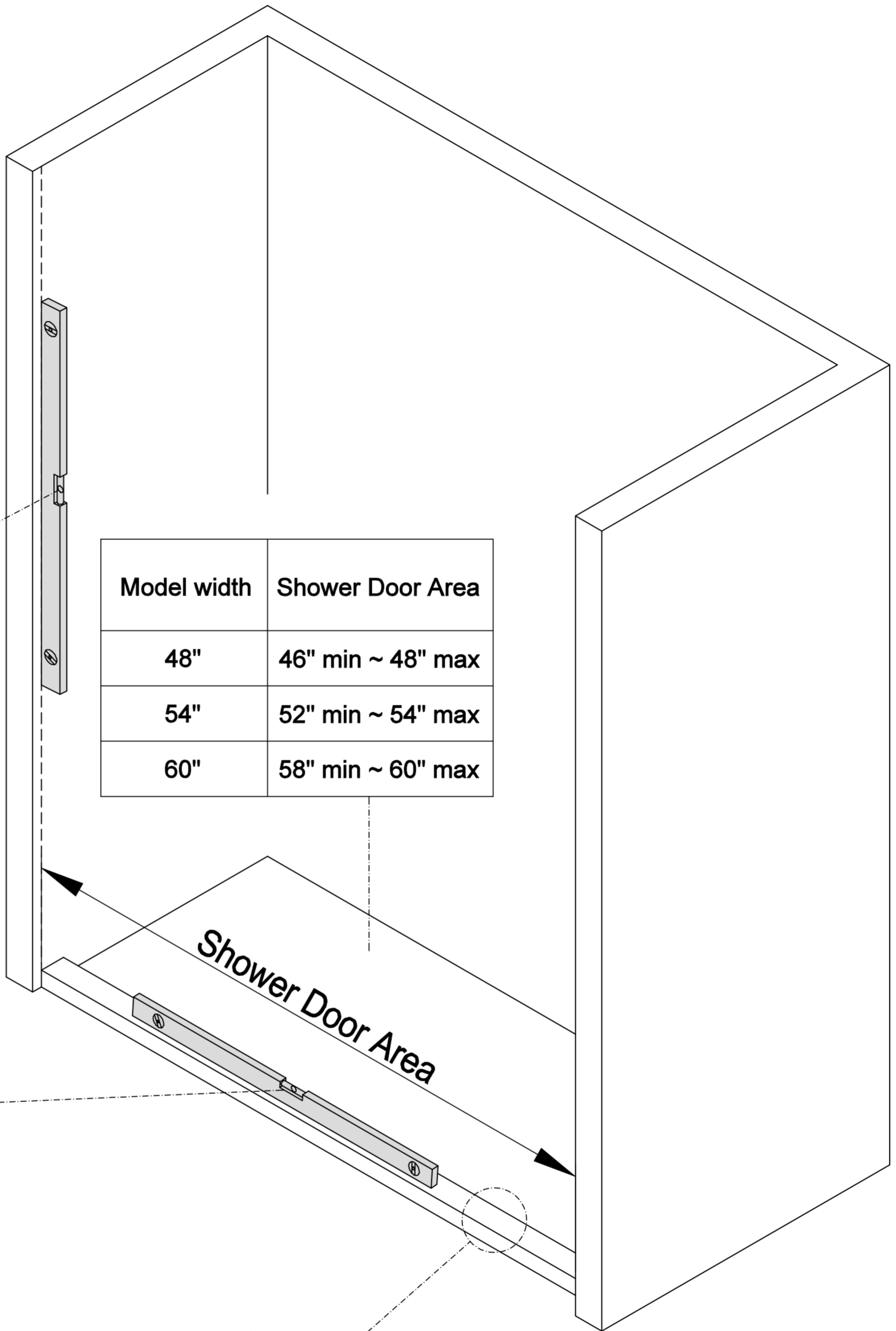
Verify threshold and wall with a level.

1/4" (6mm)
Out-of-Plumb
Adjustment within
the Wall Profile.

Threshold must be level.



Model width	Shower Door Area
48"	46" min ~ 48" max
54"	52" min ~ 54" max
60"	58" min ~ 60" max

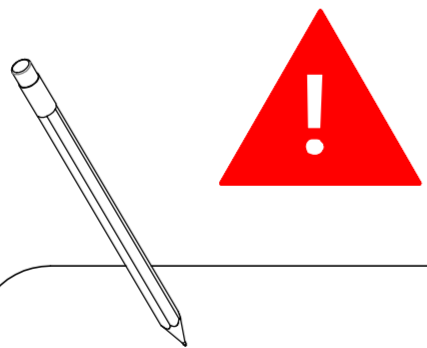
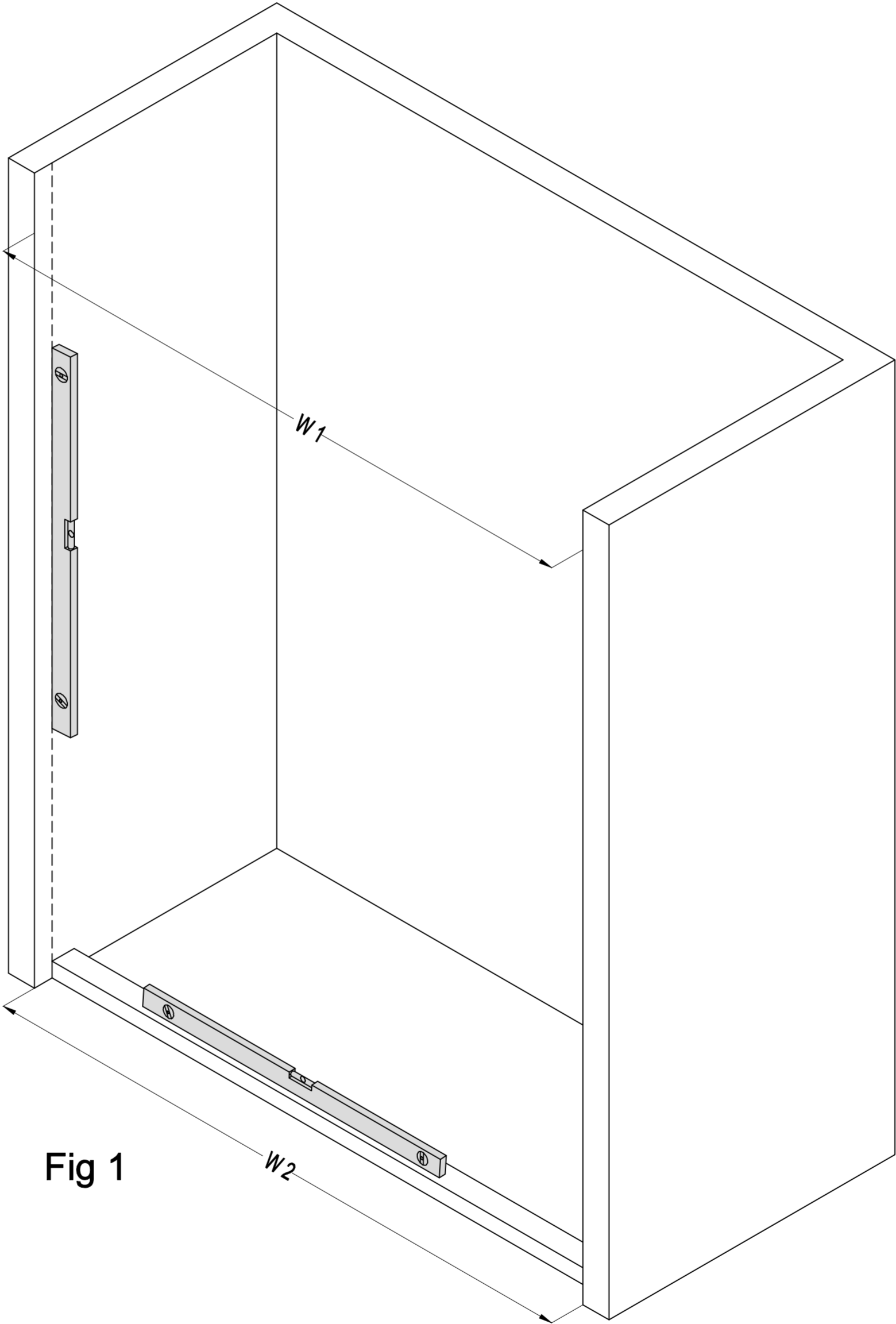


1

Measure the finished opening width.

NOTE

- 1. Measure the finished opening width at the bottom and at the model height. Use these dimensions as "W1" (top) and "W2" (bottom) in step #2.
- 2. Also check the threshold for level and the walls for plumb. (Fig 1)



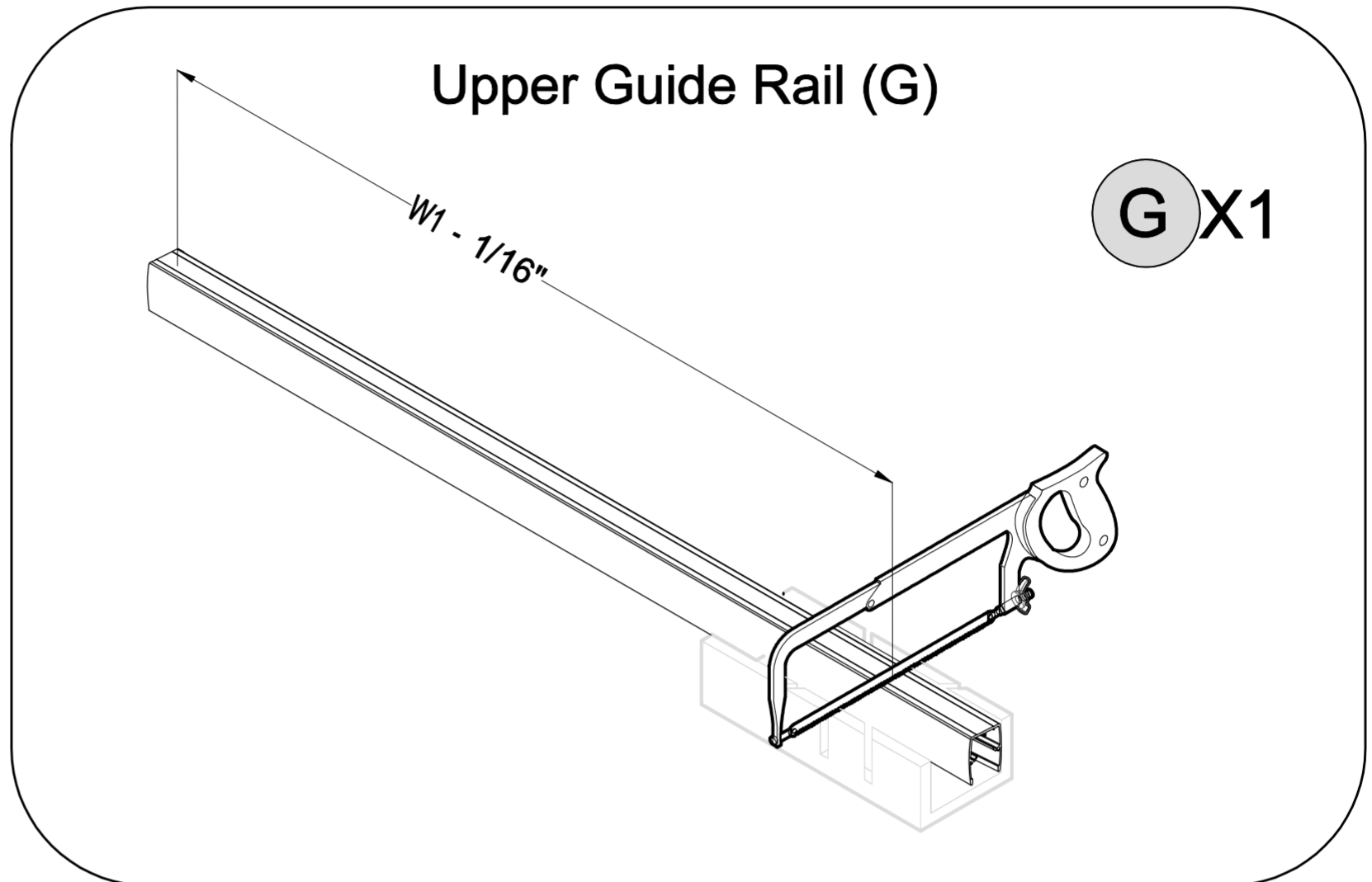
_____ Finished opening top (W1)

_____ Finished opening bottom (W2)

2

Cut the Upper Guide Rail (G) and the Bottom Rail (B) to fit your finished opening using either a miter saw or a hacksaw

Cut the Upper Guide Rail (M) to: "W1" (top) dimension - 1/16"



Cut the Bottom Rail (B) to: "W2"(bottom) dimension - 9/16"

Use a metal file to remove any burrs from the cut ends.

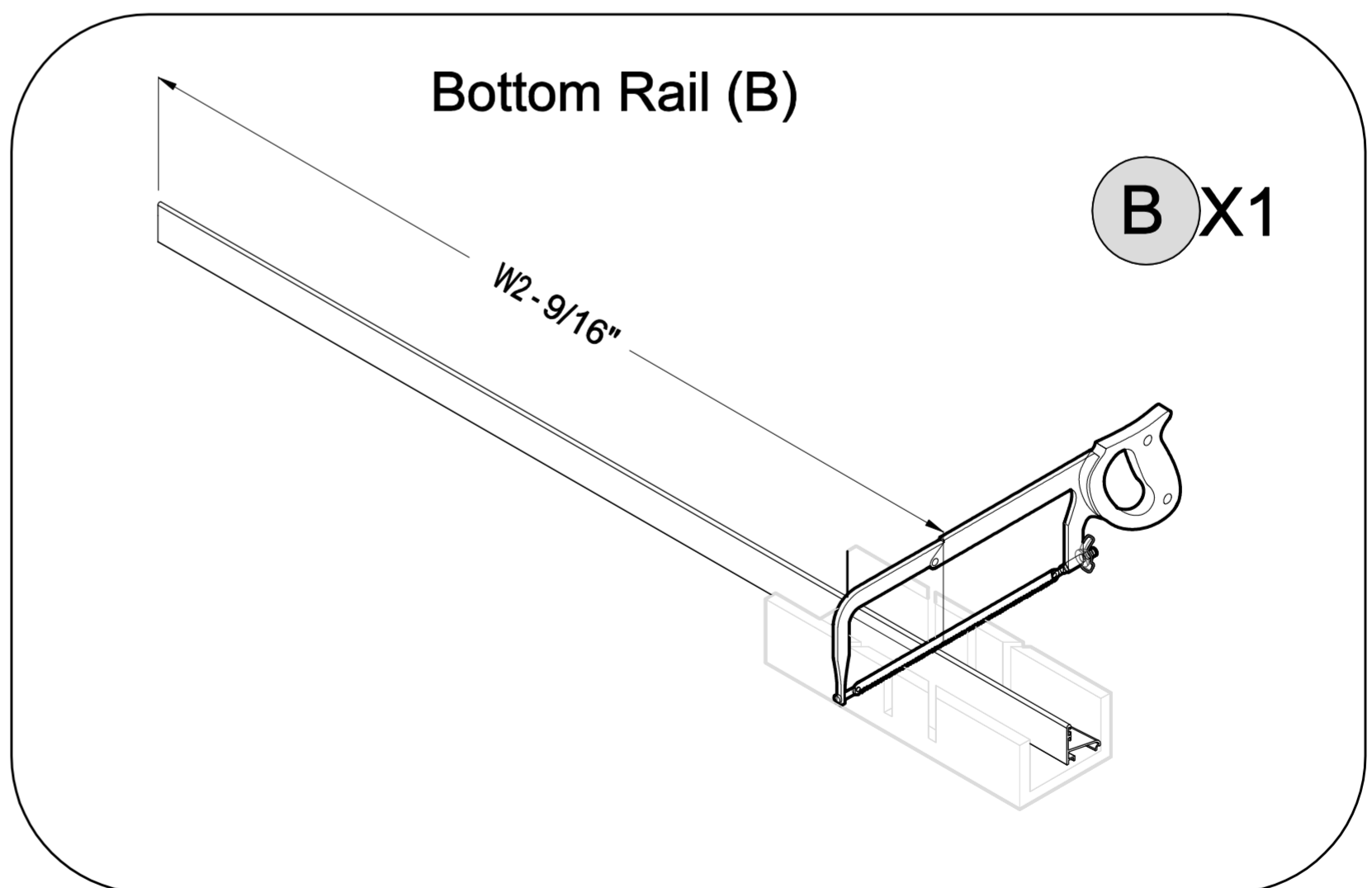
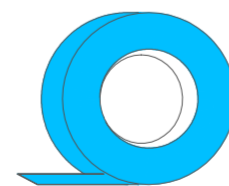
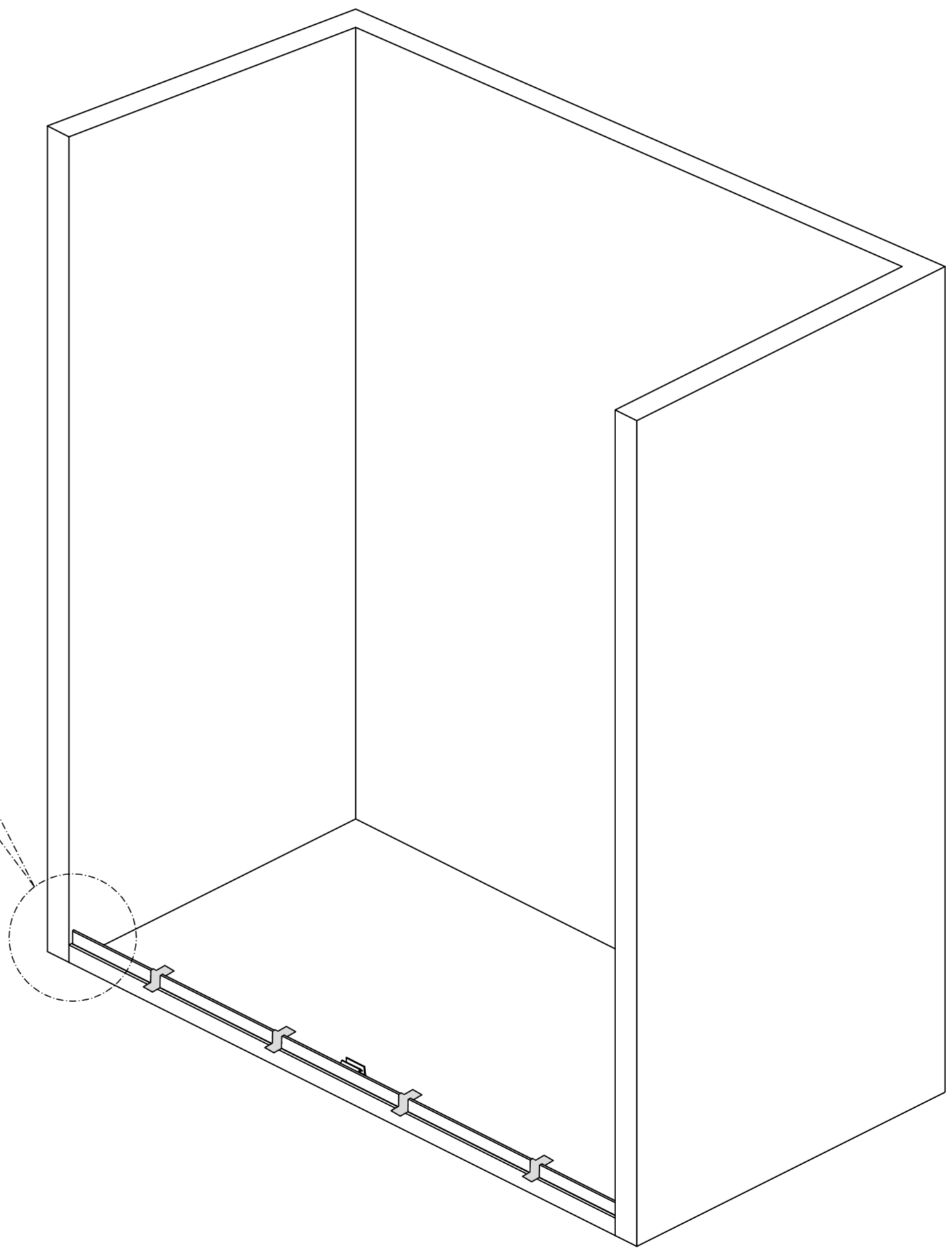
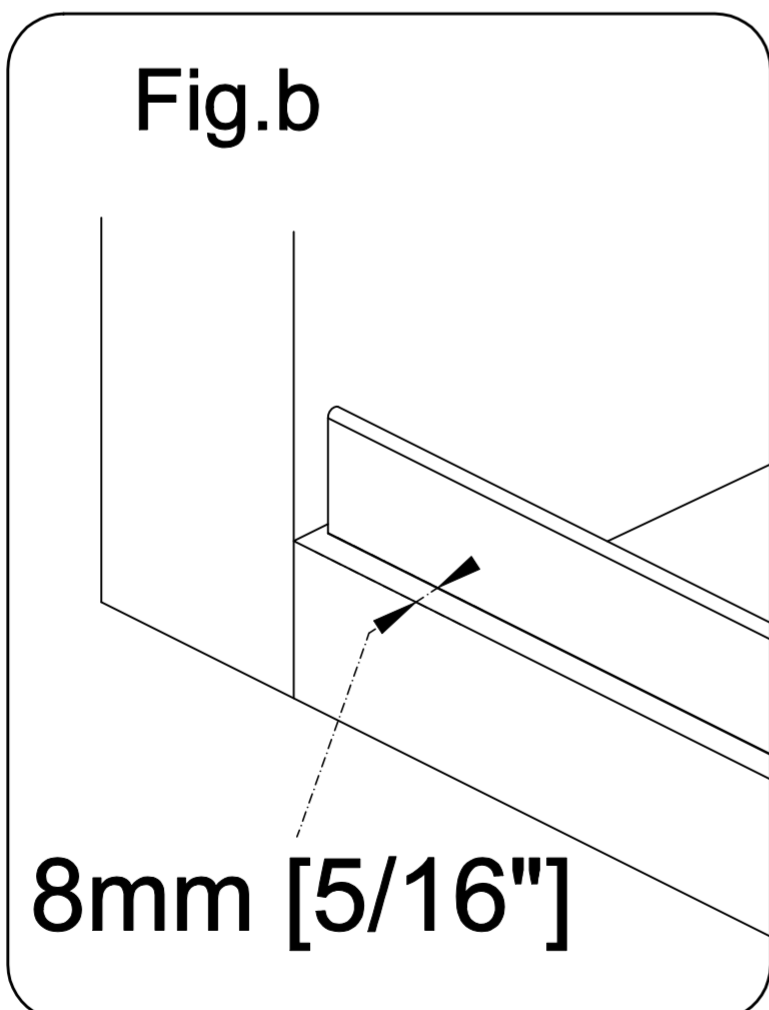
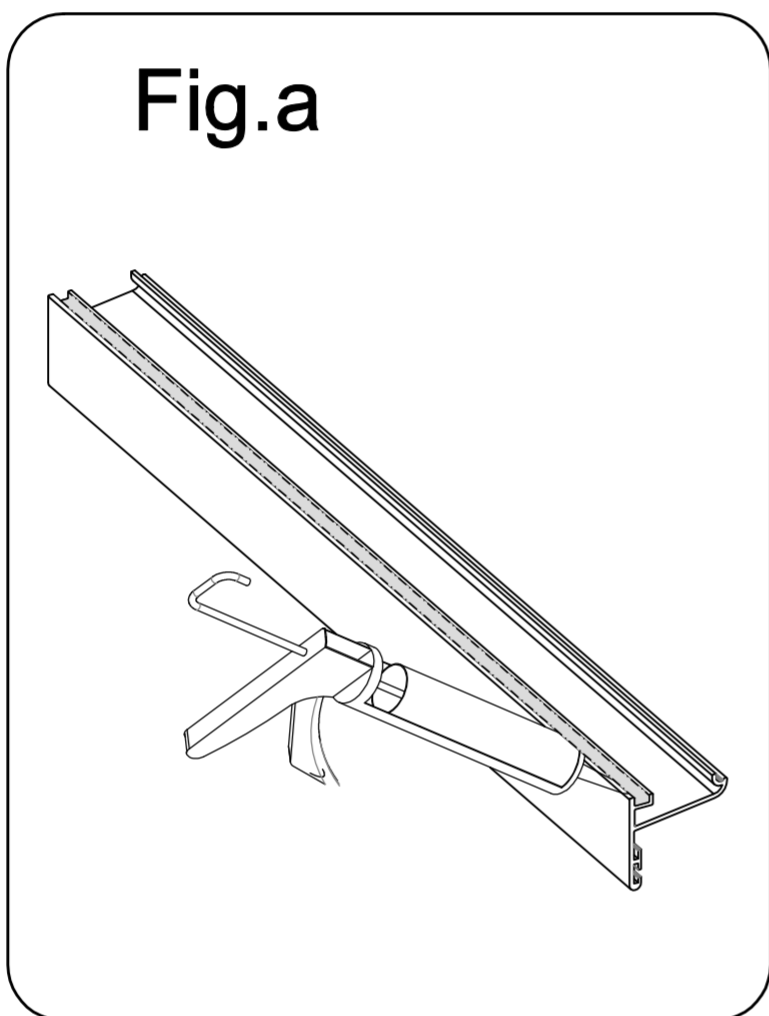


Fig 2

3 Bottom Rail(B) Installation

NOTE

1. Apply silicone into the groove along the entire length of the Bottom Rail(B) as Fig a;
2. Measure in 5/16" from the outside of the Bottom Rail(B) as Fig.b.



Use Painter's Tape to hold the Water seal tight in position while the silicone cures.

4-1 Wall Jamb(E) Installation

NOTE

1. Attach the Cap(A & D) to Wall Jamb(E) as Fig.a;
2. Attach the Wall Jamb(E) to Bottom Rail(B) as Fig.b;
3. Please note one end with 2 side holes faces up. Mark the location of the holes as Fig.c;
4. Drill the holes as Fig.d;



- If a stud is presented behind the wall:
drill a $\varnothing 1/8"$ (3mm) pilot hole into the stud and use the ST4.0 x 30mm Screws (bb)
- OR
- If no stud is presented behind the wall:
drill a $\varnothing 1/4"$ (6mm) hole and insert the Wall Anchors (cc) and use the ST4.0 x 30mm Screws (bb).

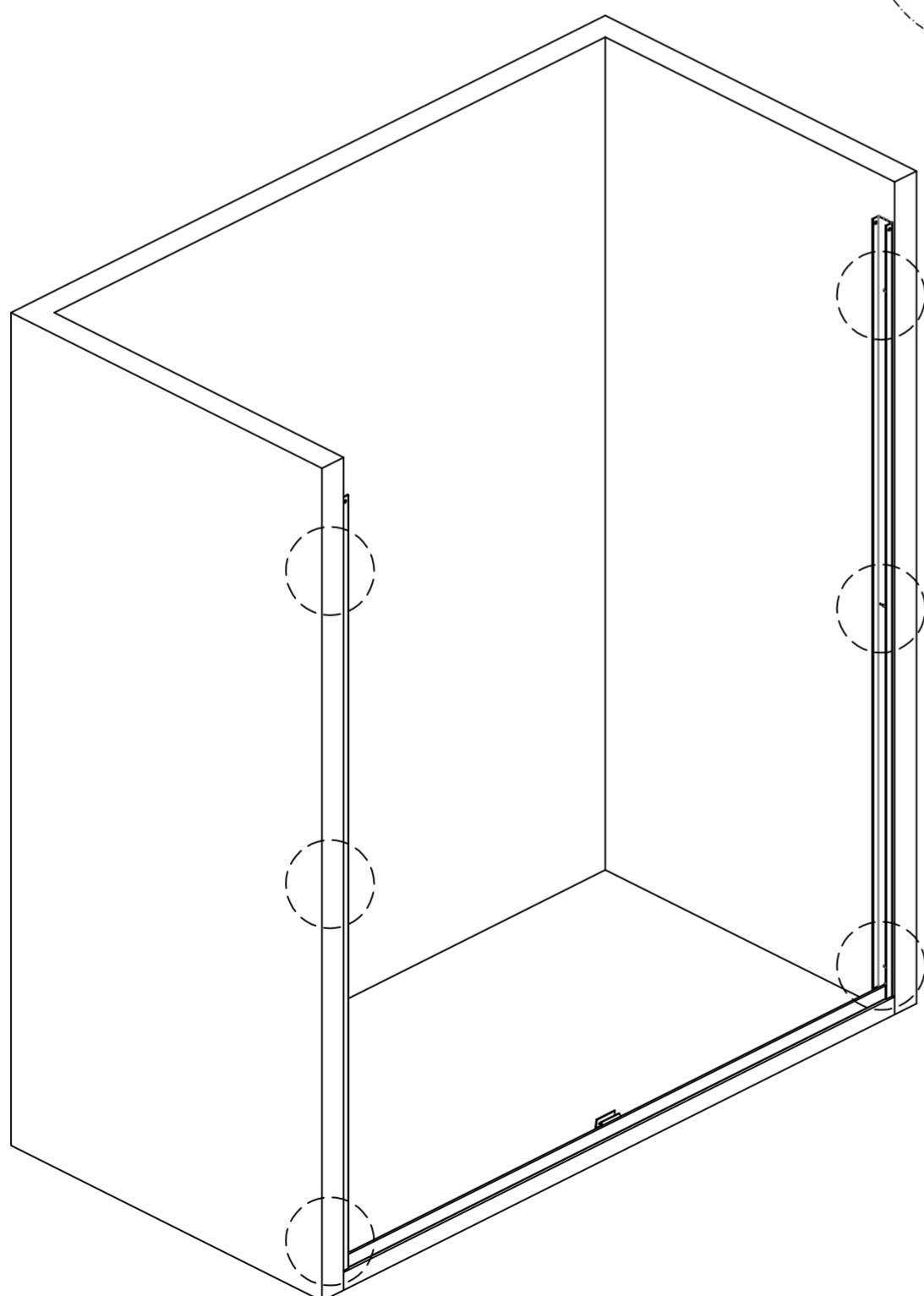


Fig.a.1

Fig.a.2

Fig.a

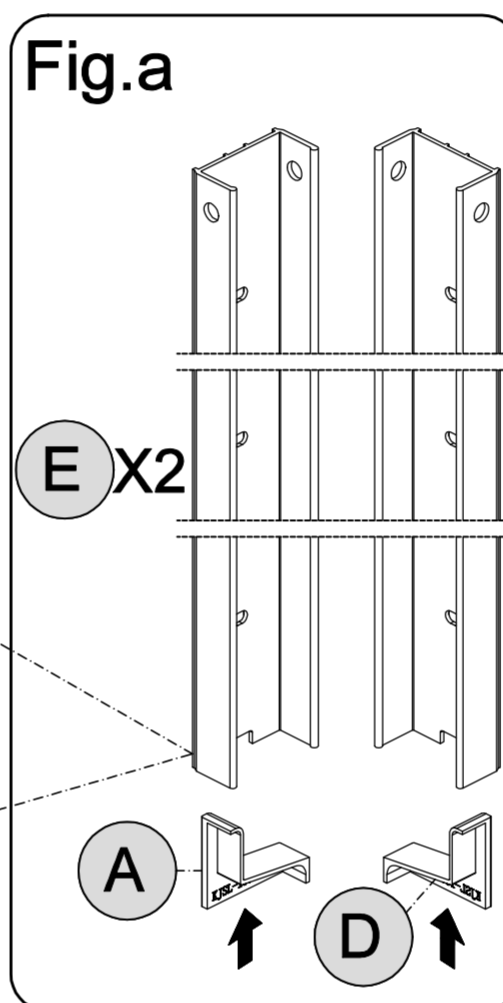


Fig.b

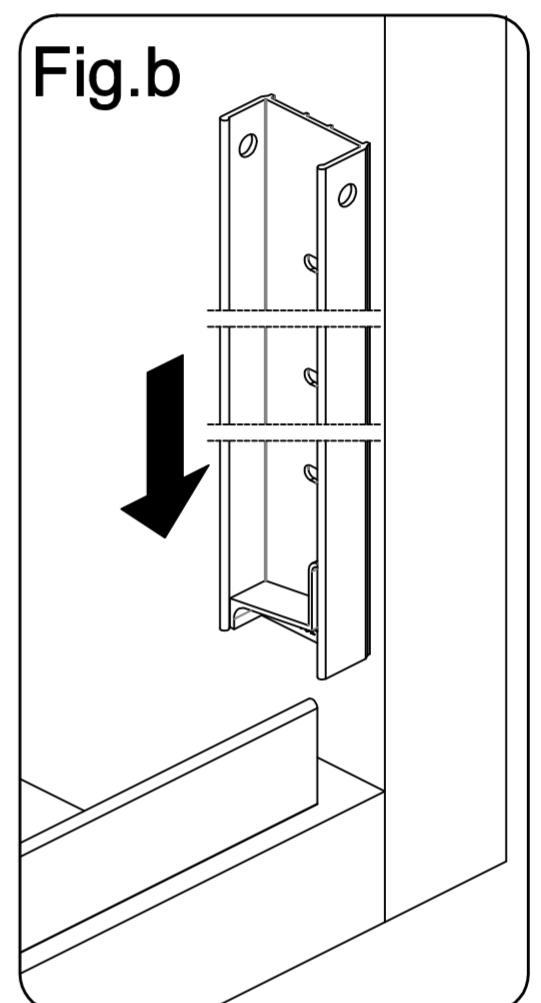


Fig.c

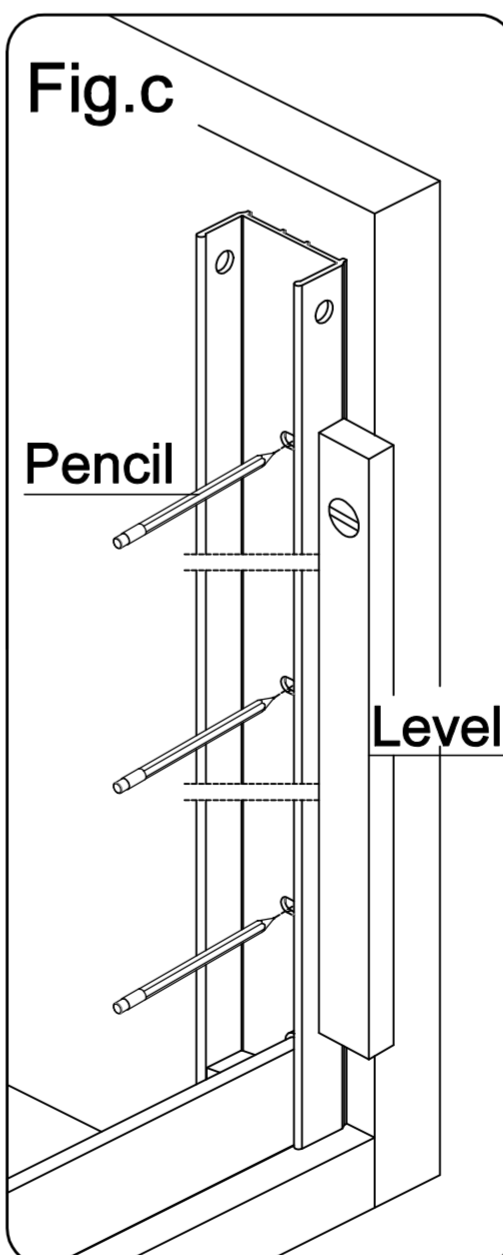
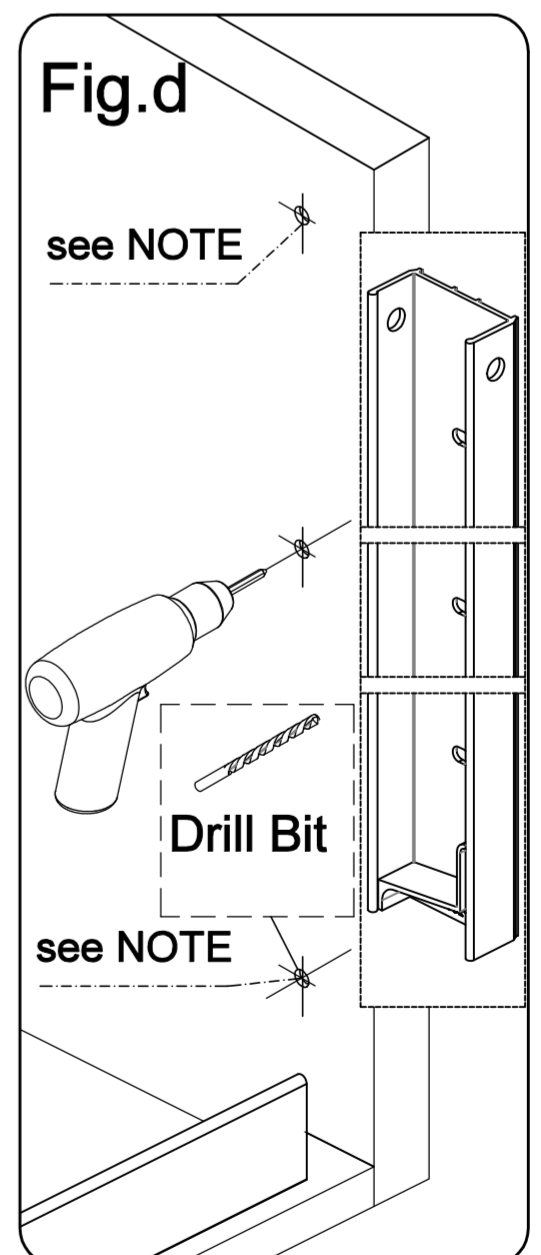


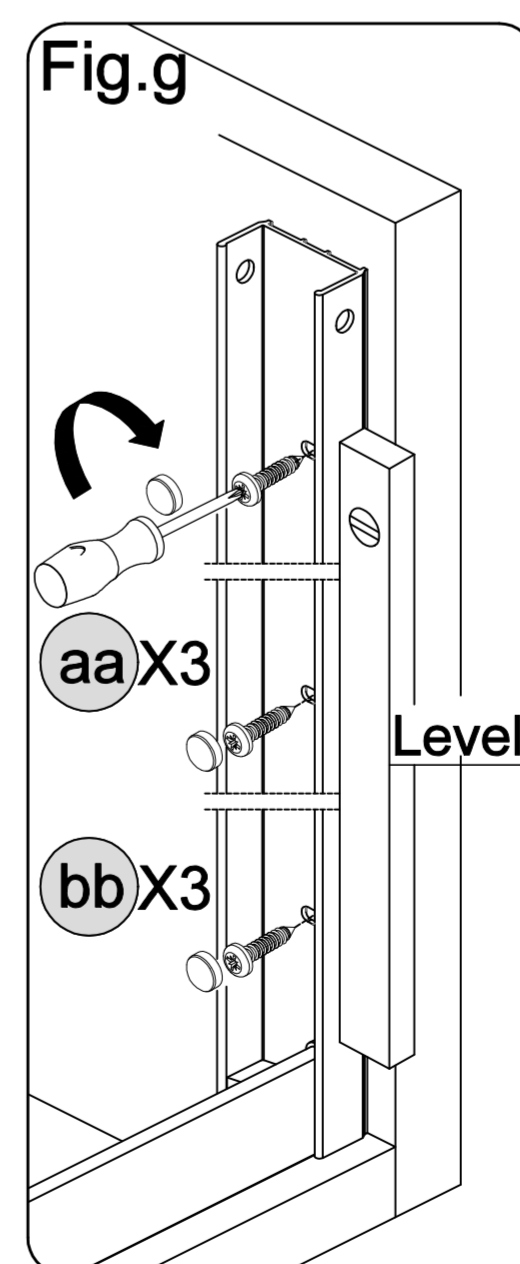
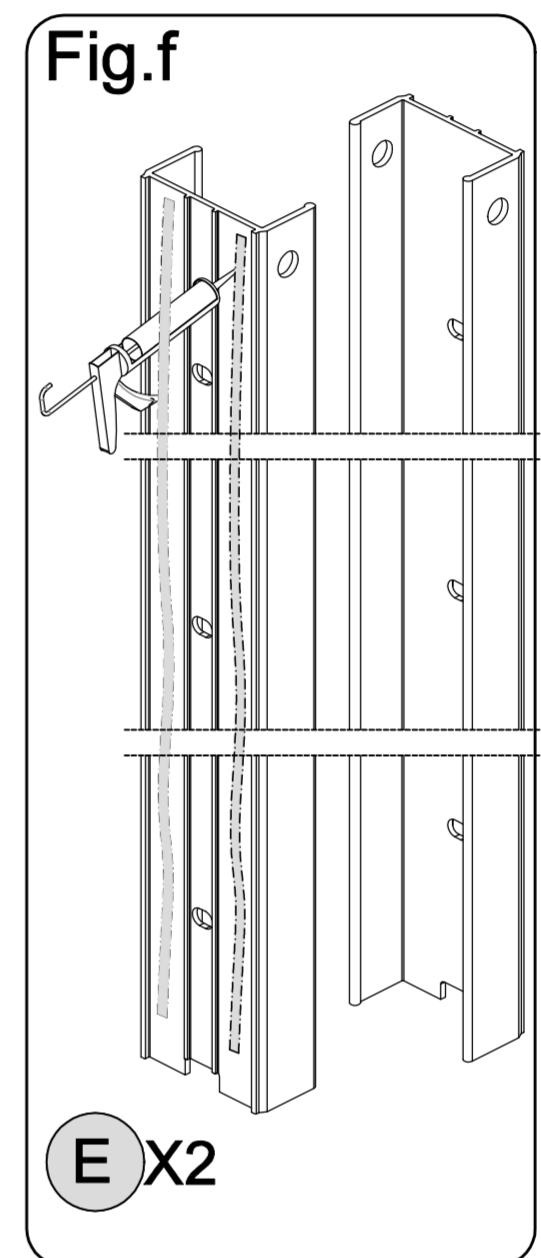
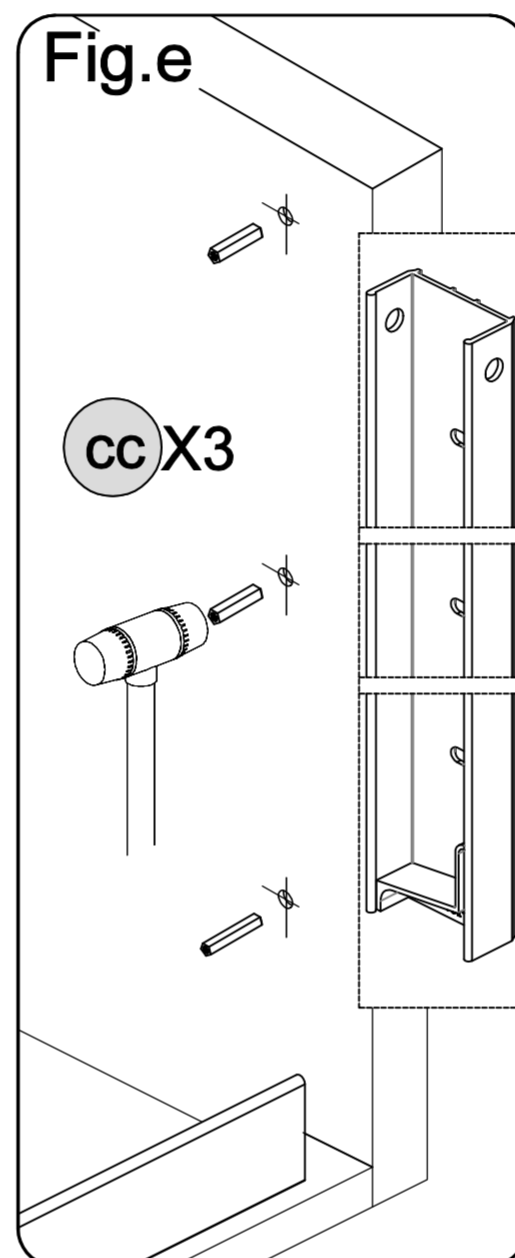
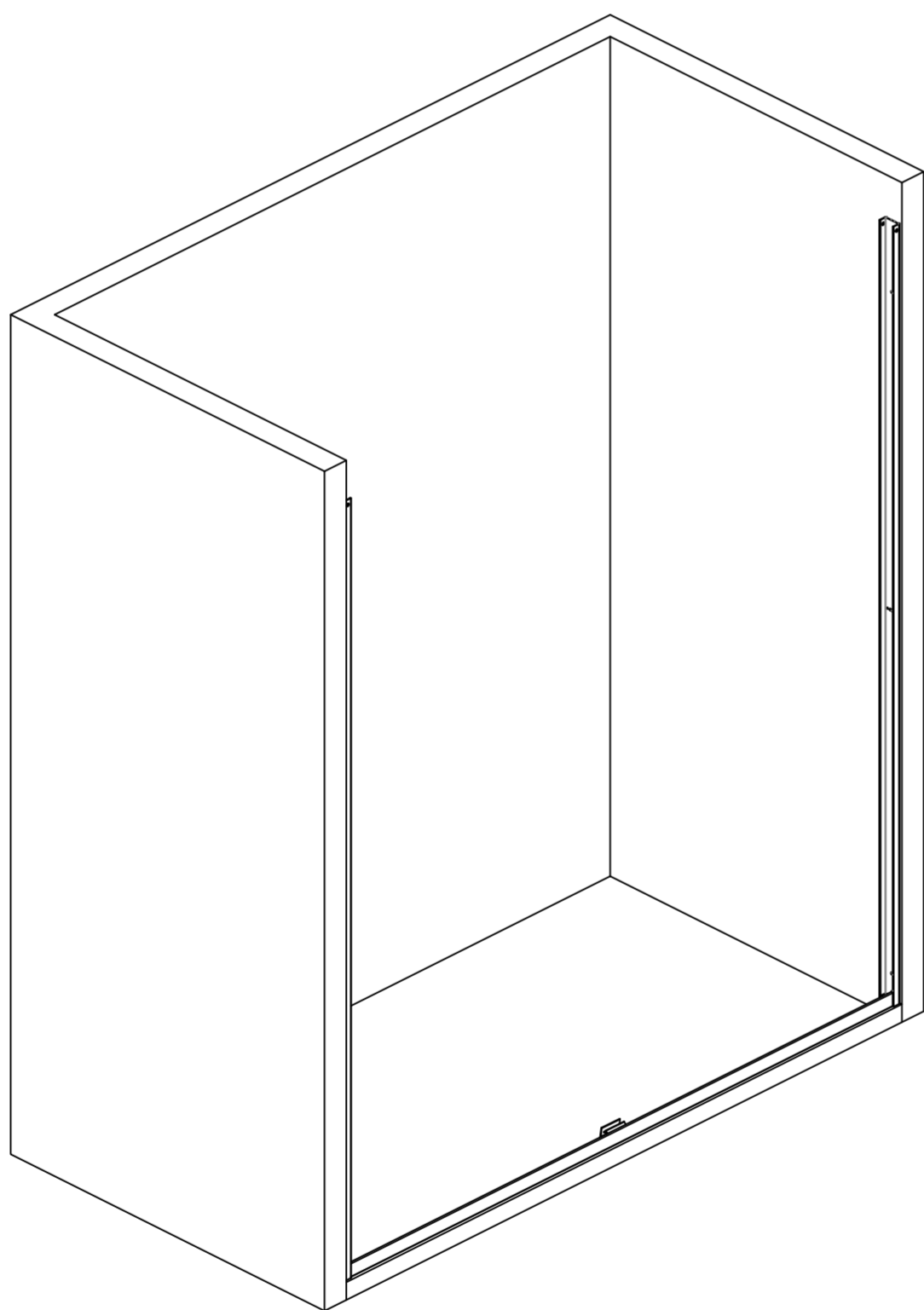
Fig.d



4-2 Wall Jamb(E) Installation

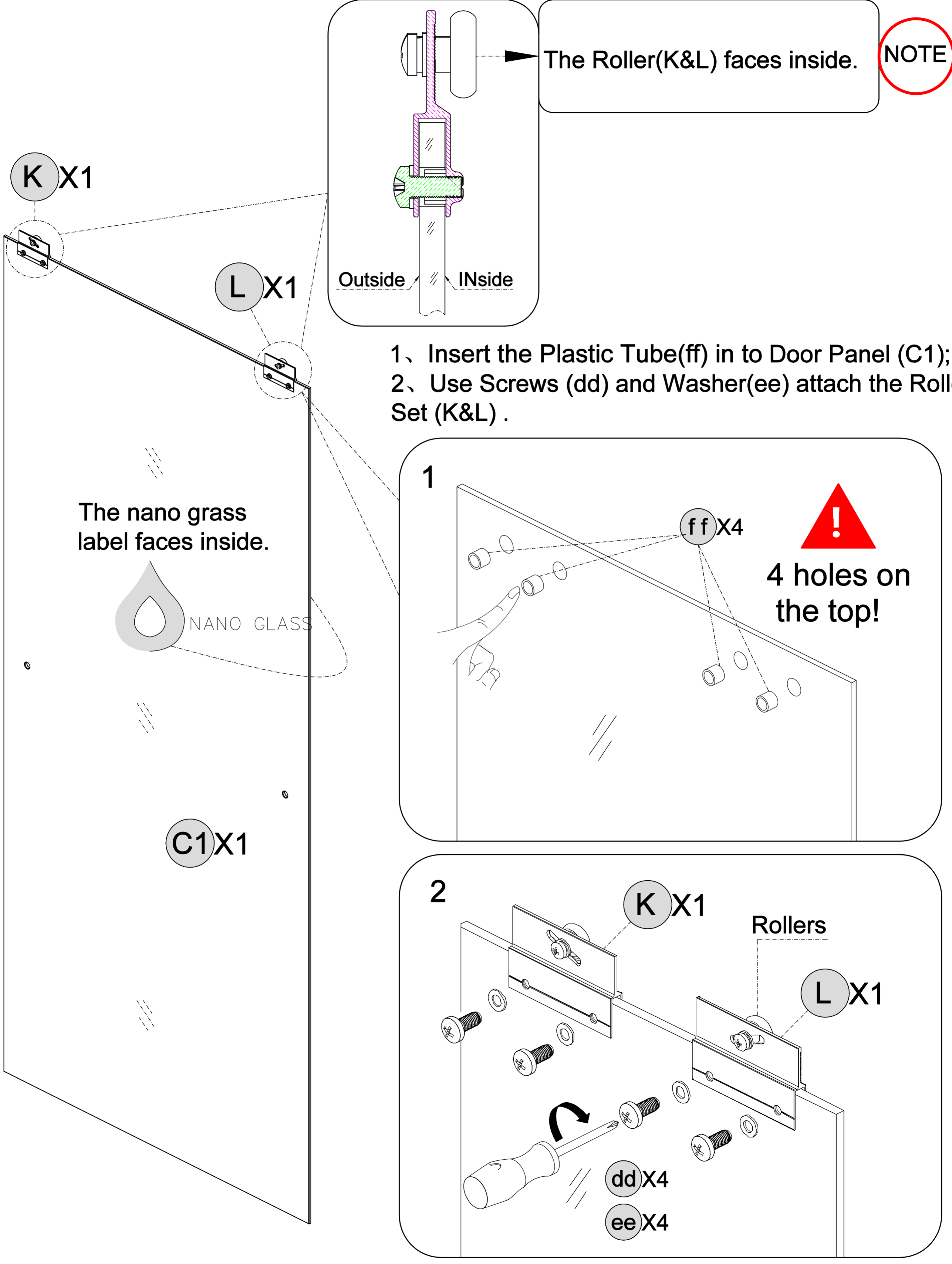
NOTE

- 1.If necessary insert the Wall Anchors (cc) as Fig.e;
- 2.Apply silicone into the groove along the entire length of the Wall Jamb(E) as Fig f;
- 3.Attach the Wall Jamb(E) to the wall as Fig g.



5

The Roller(K&L) Installation on the Inside Door Panel (C1)



1. Insert the Plastic Tube(ff) in to Door Panel (C1);
2. Use Screws (dd) and Washer(ee) attach the Roller Set (K&L) .

6

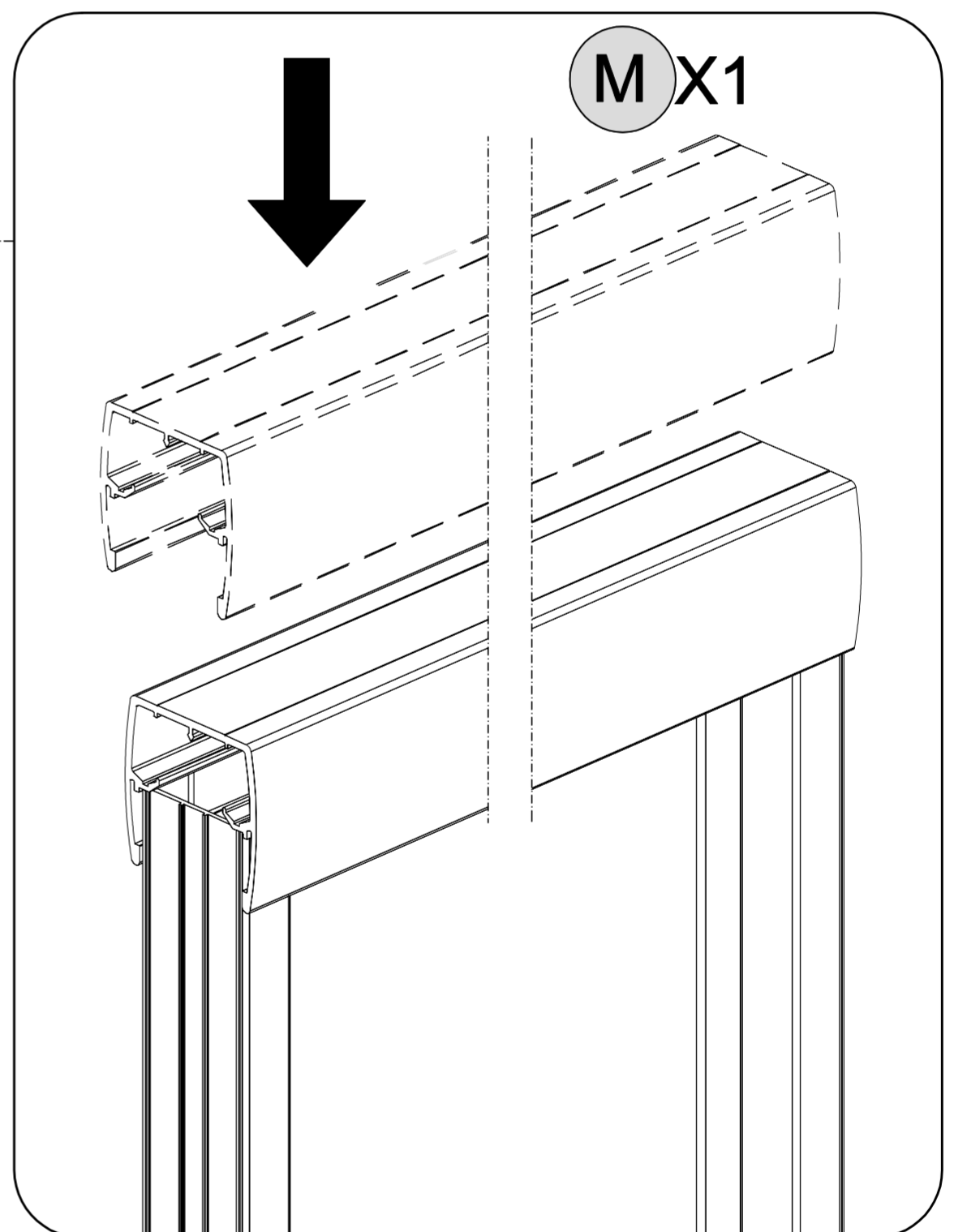
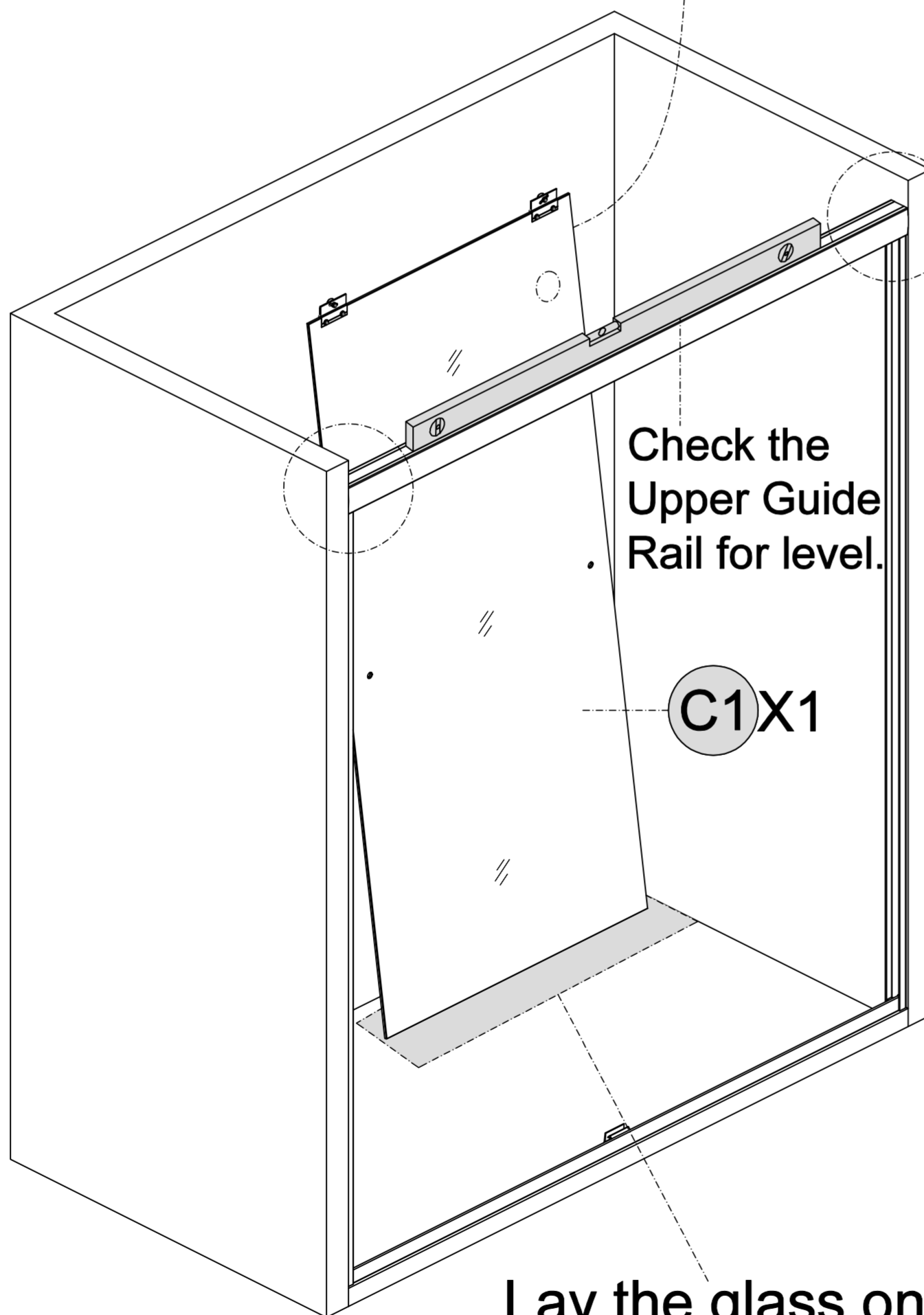
Upper Guide Rail (M) Installation

NOTE Put Inside Glass Panel(C1) inside the shower place before install the Upper Guide Rail(M), and the green label faces outside.

The NANO GLASS lable faces inside;The Roller faces inside.



Insert the Upper Guide Rail(M) into the installed Wall Jamb(E).

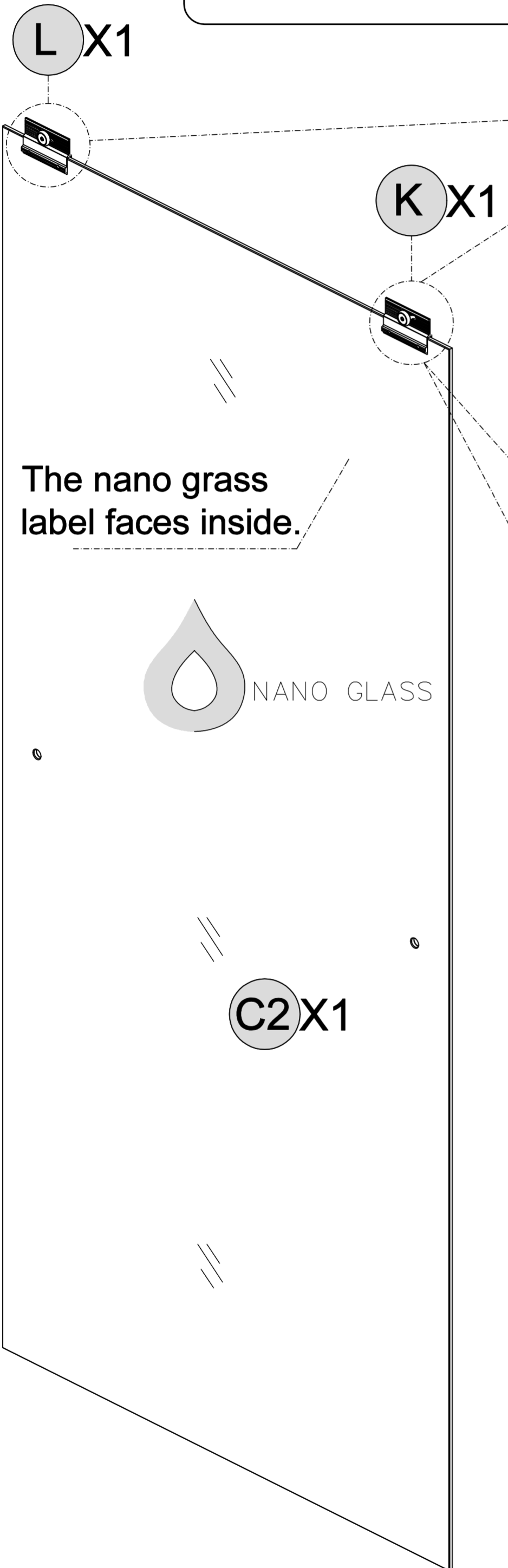
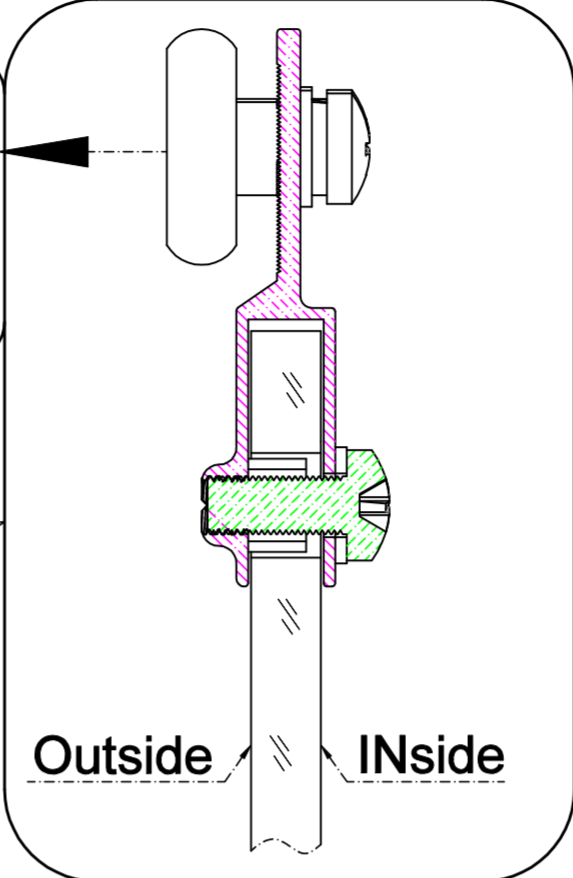


Lay the glass on a soft padded surface!

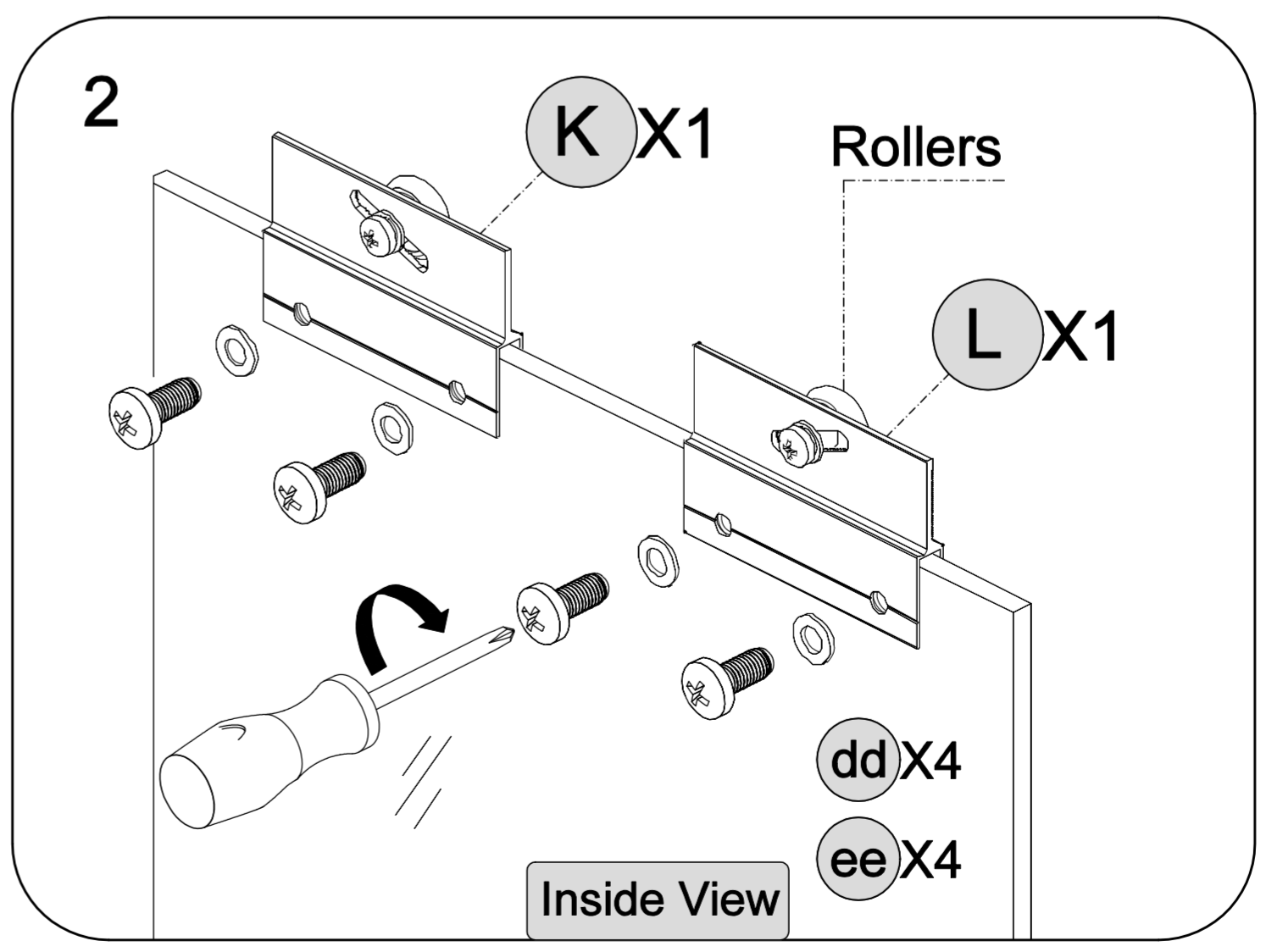
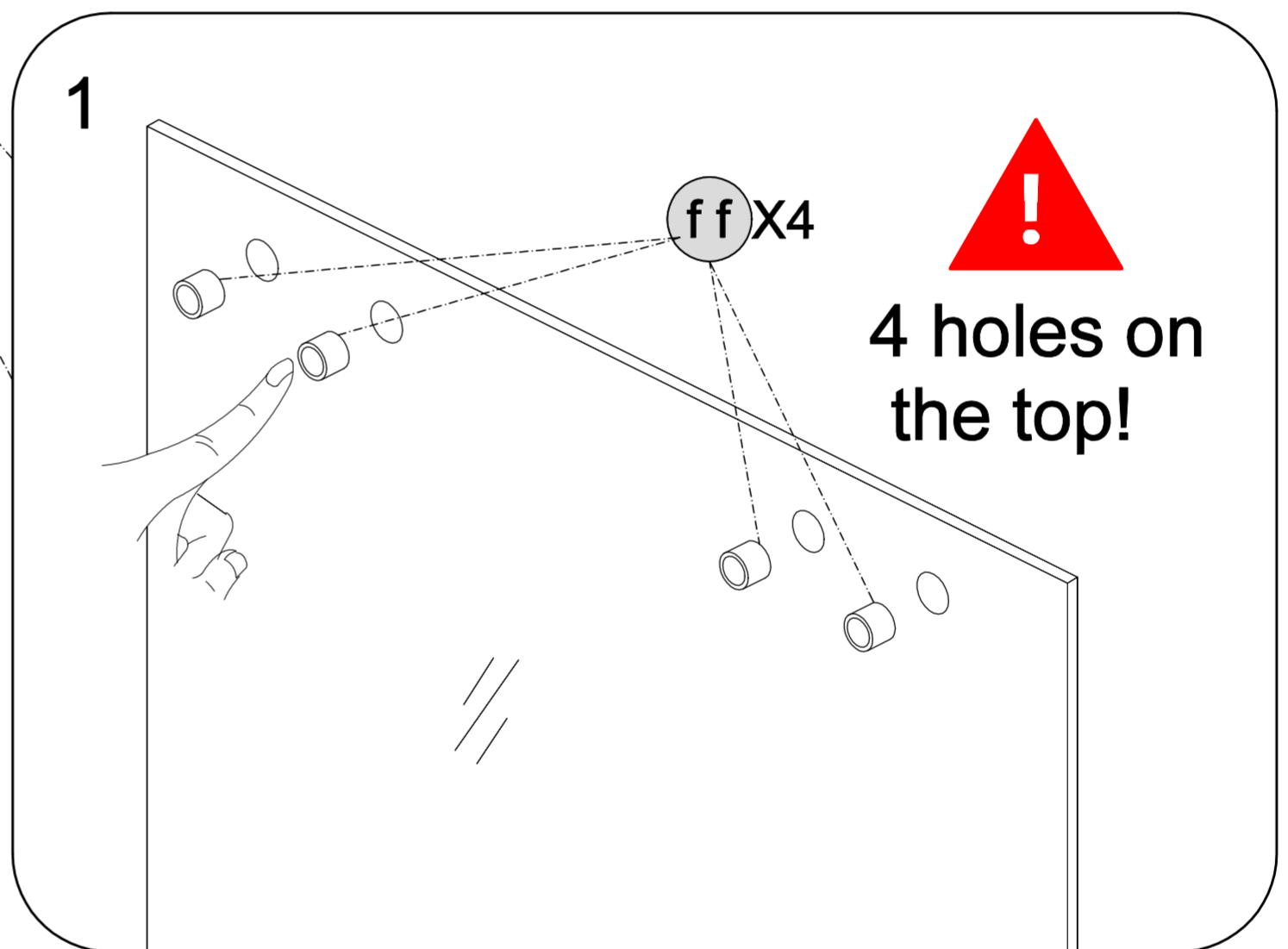
7

The Roller(K&L) Installation on the Outside Door Panel (C2)

NOTE The Roller(K&L) faces Outside.

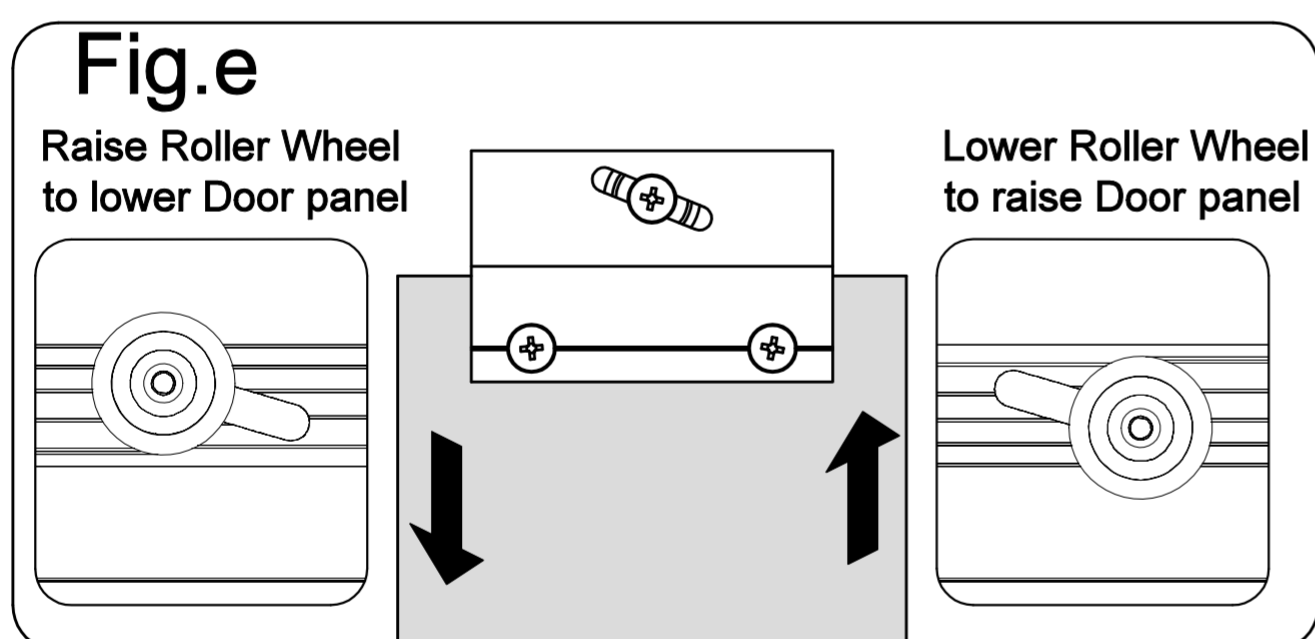
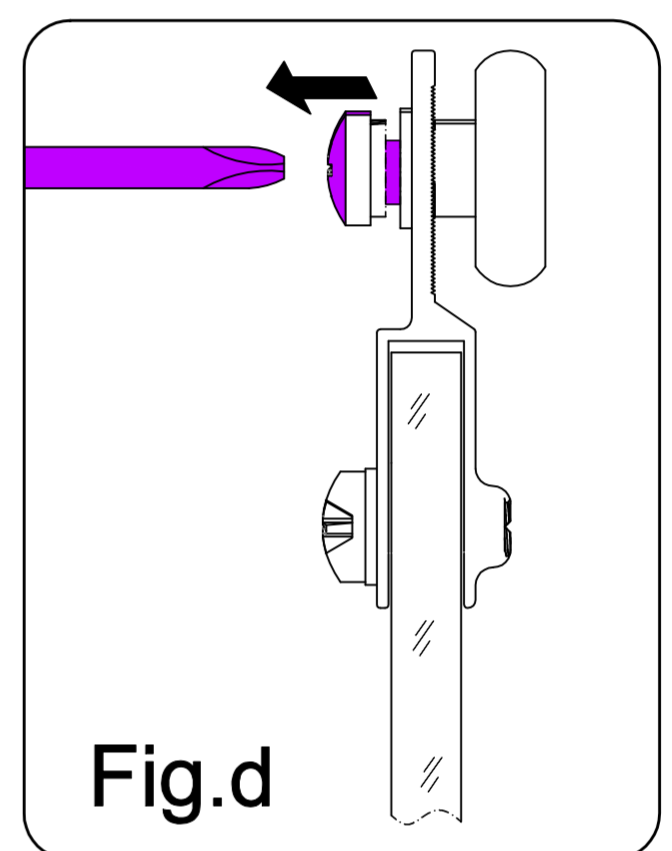
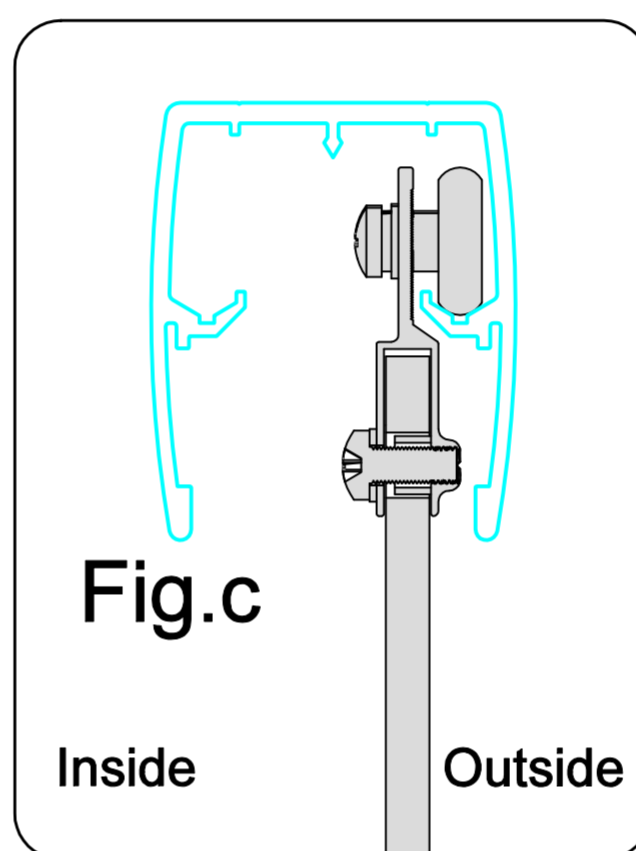
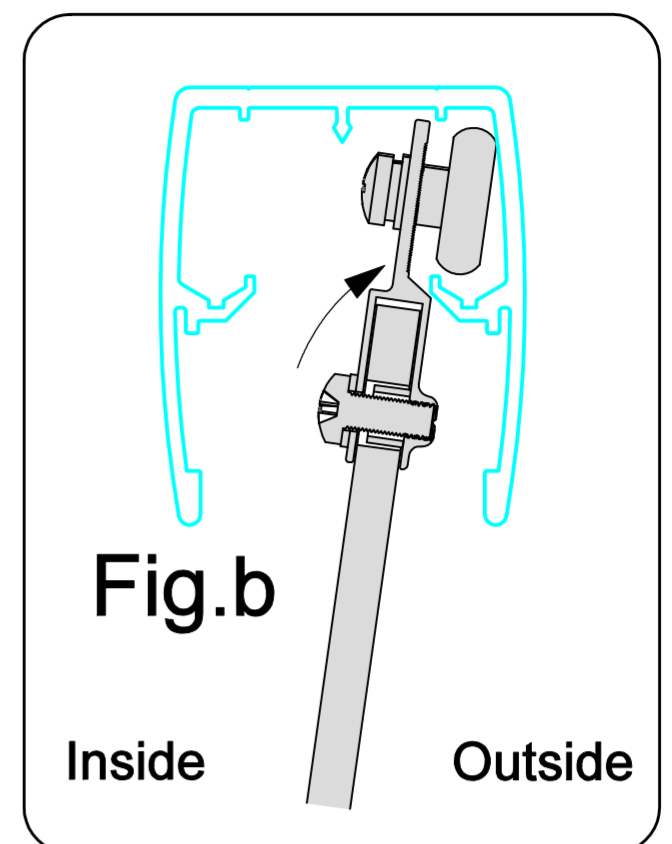
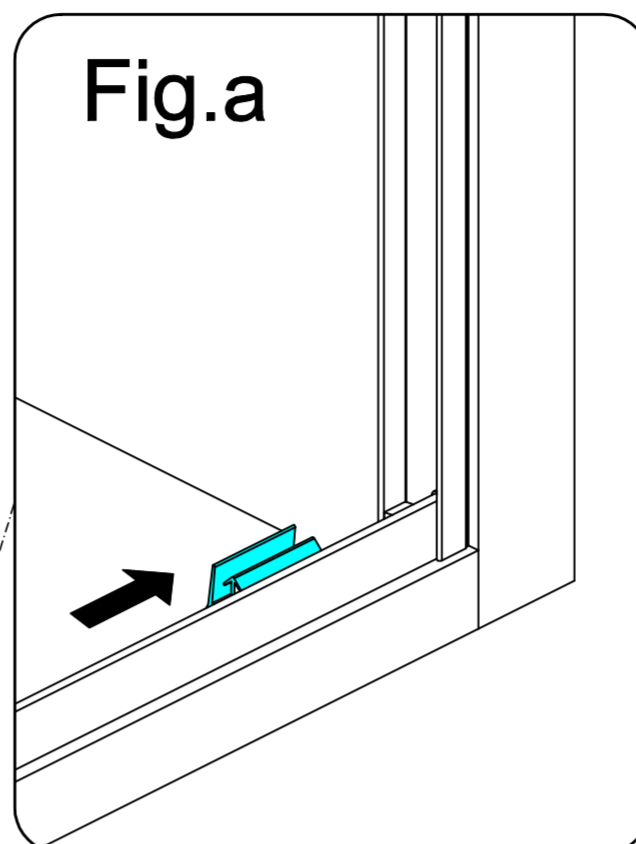
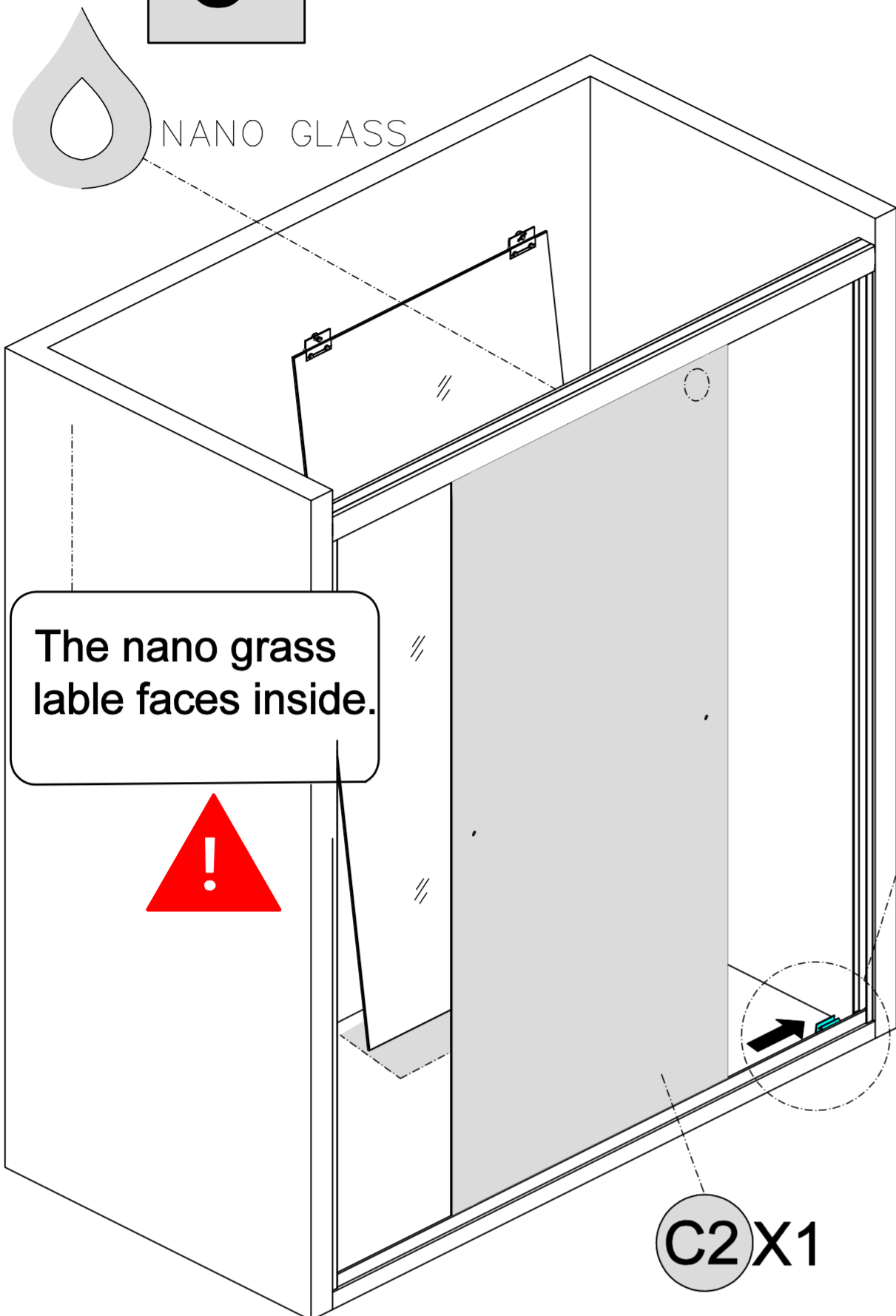


1. Insert the Plastic Tube(ff) in to Door Panel (C2);
2. Use the Screws (dd) and Washer(ee) attach the Roller Set (K&L) .



8

Outside Door panel(C2) Installation



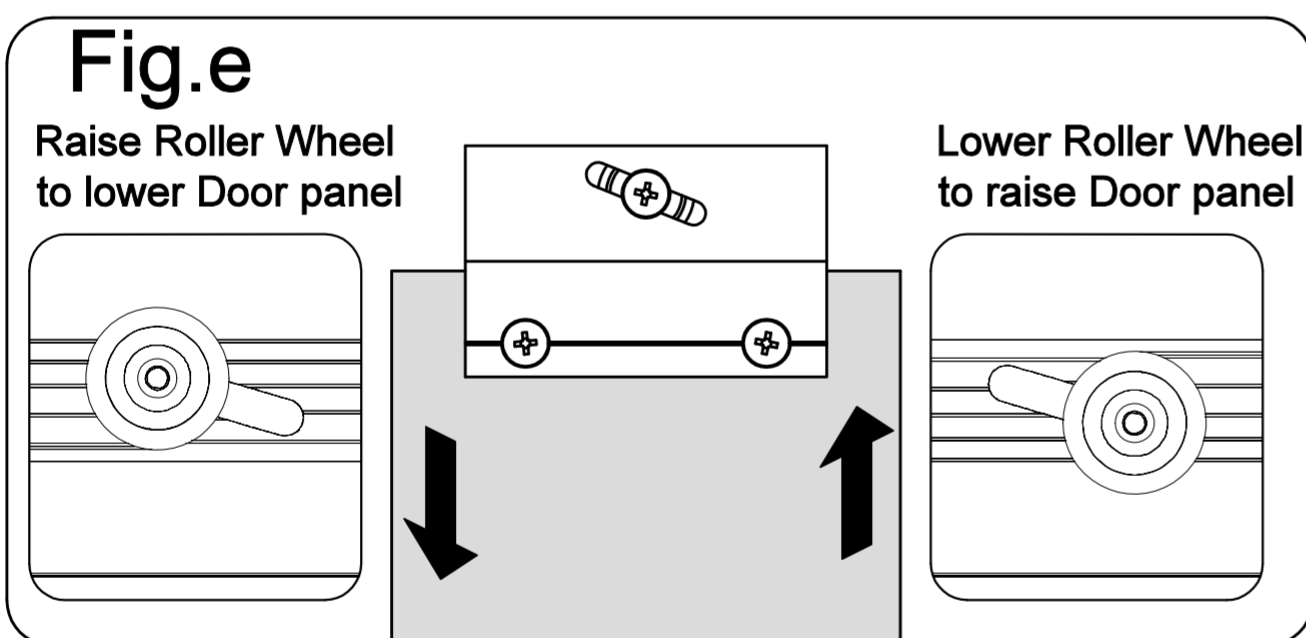
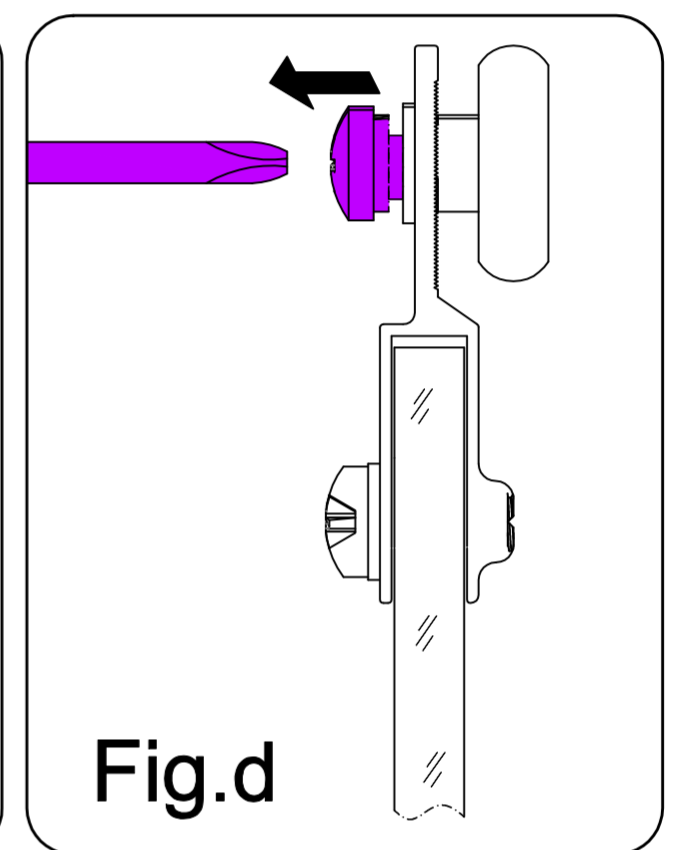
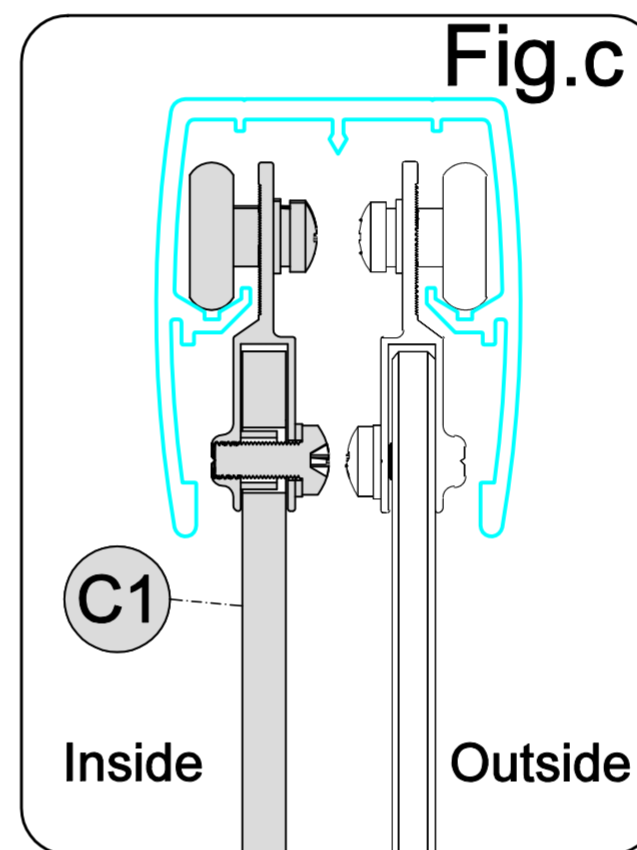
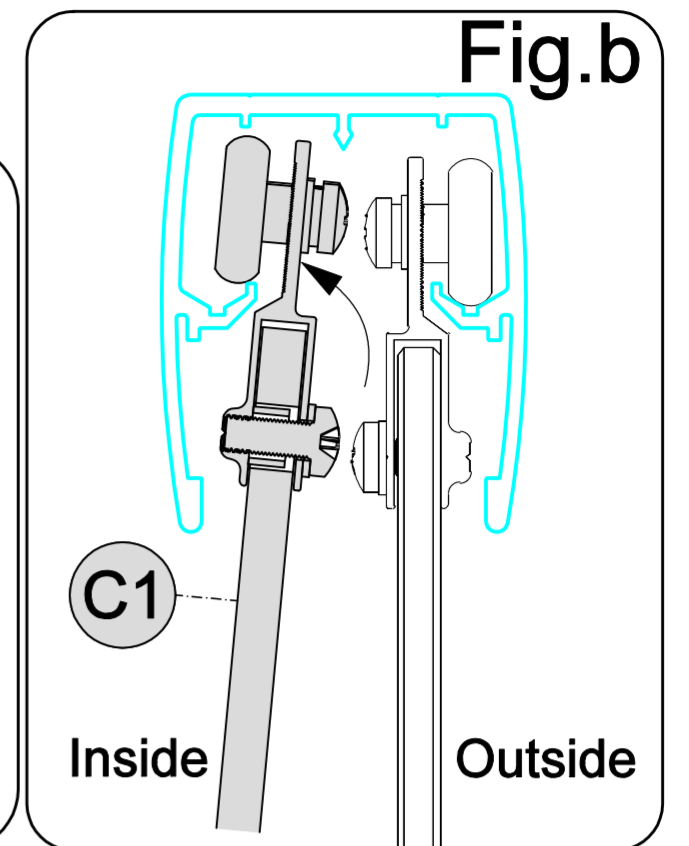
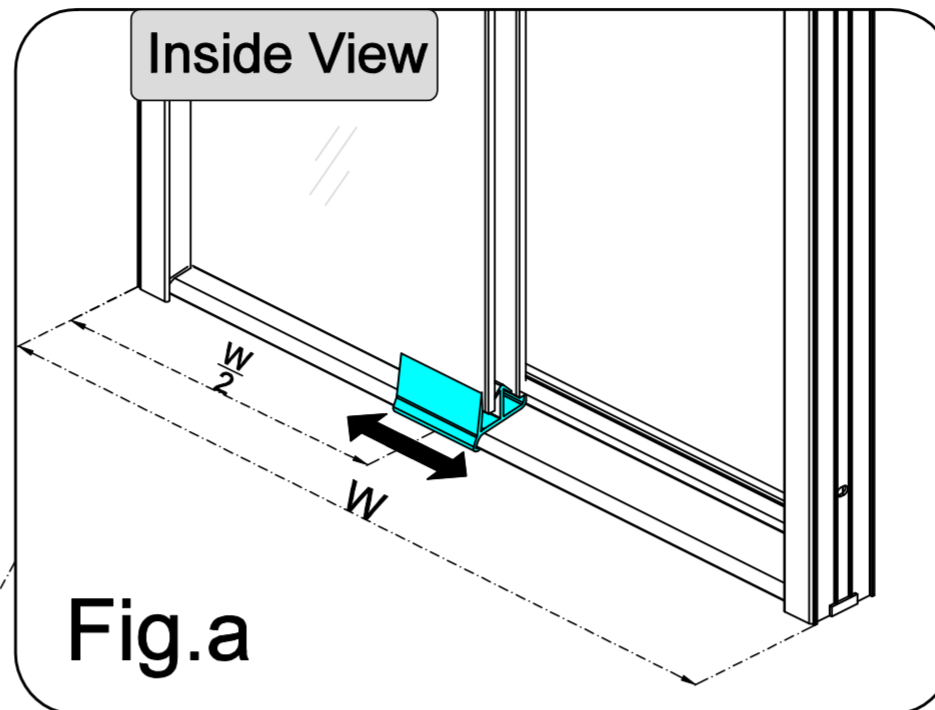
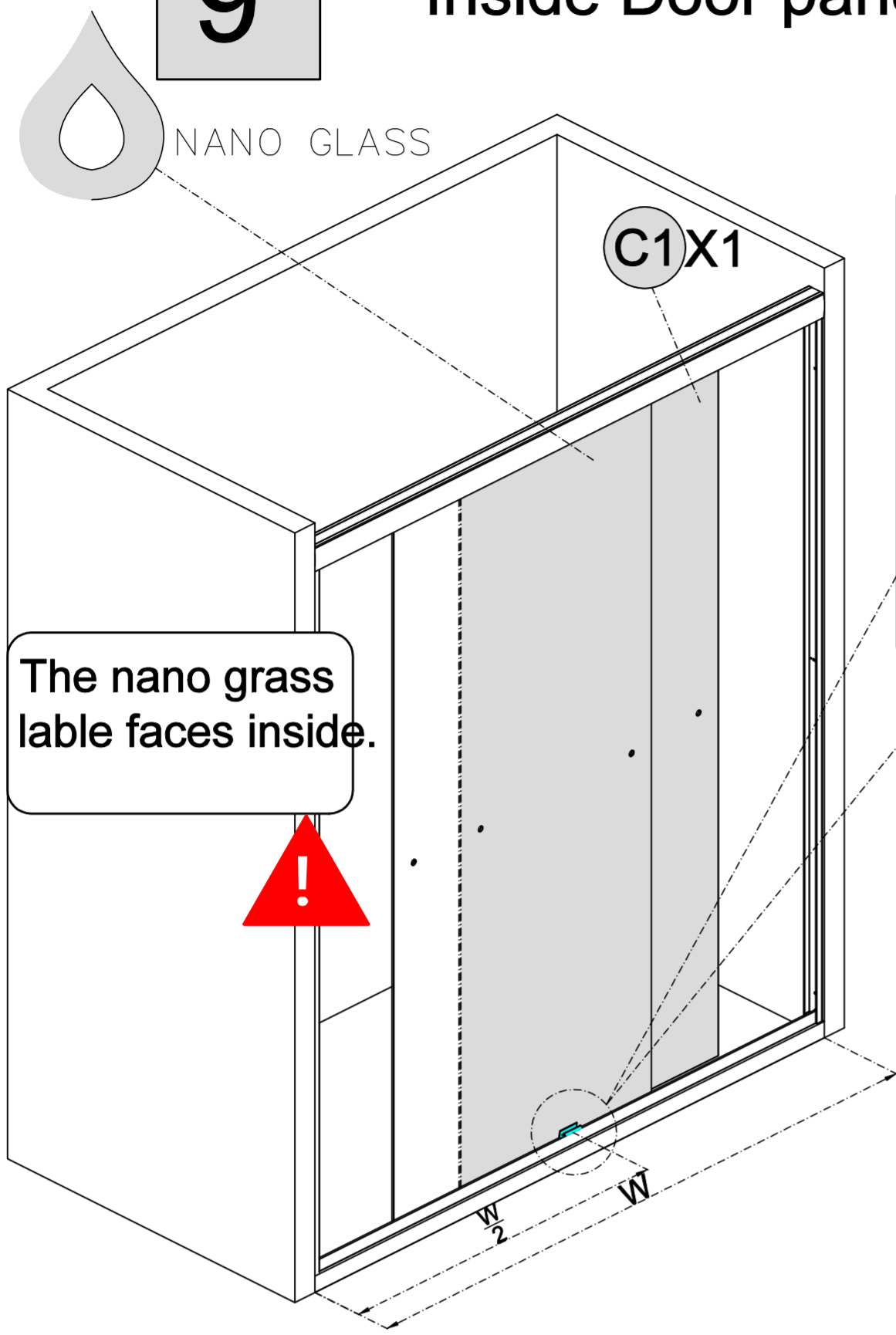
1. Move the bottom guide slider of the Bottom Rail(B) to the side as Fig.a;
2. Insert the Outside Door Panel(C2) into the Upper Guide Rail(M) as Fig.b and Fig.c .

NOTE

- DO NOT install the towel bars on the glass until instructed.
 DO NOT lift the glass using the towel bars;
1. The Roller Wheels (K & L) can be adjusted to better align the vertical edges of the Door Glass with the Wall Profiles if needed, to prevent leaks;
 2. In order to adjust the Roller Wheels (K & L), remove that door from the Upper Guide Rail (M). Please make sure the glass is put on the padded surface;
 3. Unscrew the screw first with Phillips Screw Driver as Fig.d ;
 4. Adjusting a Roller Wheel up (higher in the slot) will lower the door glass, and adjusting a Roller Wheel down (lower in the slot) will raise the door glass as Fig.e;
 5. Tighten the screw, put the door on the guide rail, gently move the door and observe the door whether aligns with the Wall Jamb(E);
 6. Repeat step 2-5 until the door aligns with the Wall Jamb(E).

9

Inside Door panel(C1) Installation



1. Move the bottom guide slider to the middle as Fig.a;
2. Insert the Inside Door Panel into the Upper Guide Rail(M) as Fig.b and Fig.c;

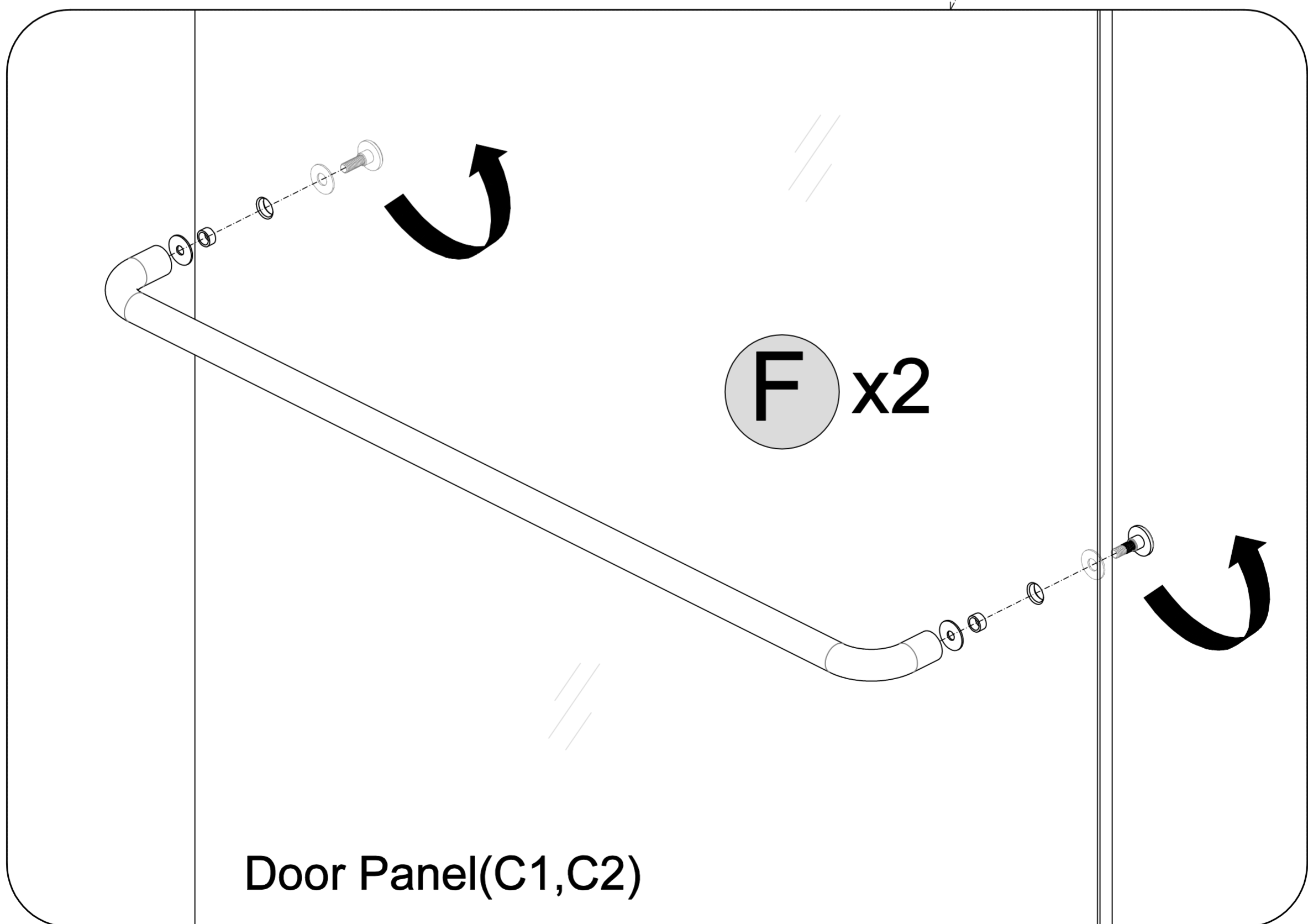
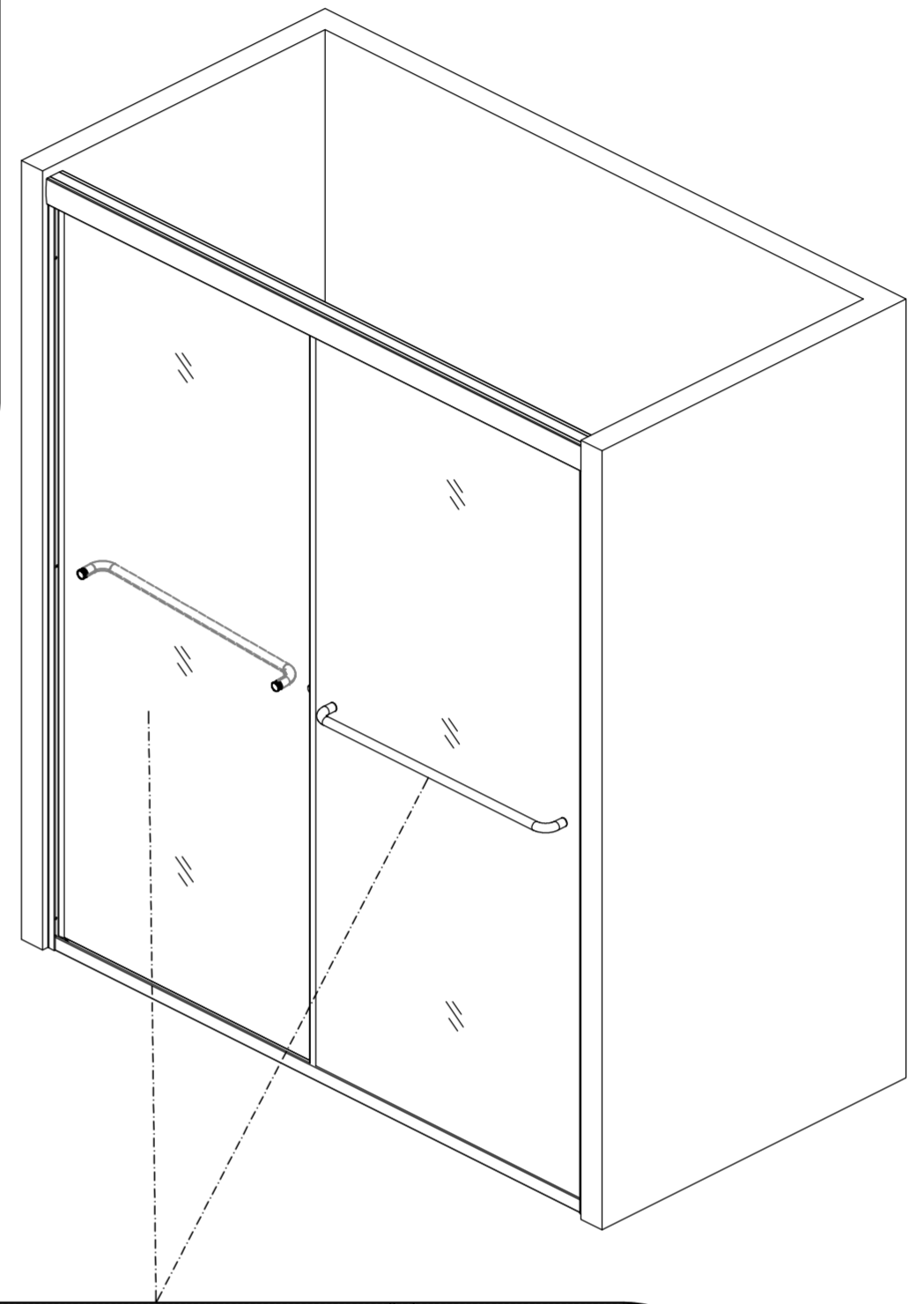
NOTE

- DO NOT install the towel bars on the glass until instructed.
 DO NOT lift the glass using the towel bars;
1. The Roller Wheels (K & L) can be adjusted to better align the vertical edges of the Door Glass with the Wall Profiles if needed, to prevent leaks;
 2. In order to adjust the Roller Wheels (K & L), remove that door from the Upper Guide Rail (M). Please make sure the glass is put on the padded surface;
 3. Unscrew the screw first with Phillips Screw Driver as Fig.d ;
 4. Adjusting a Roller Wheel up (higher in the slot) will lower the door glass, and adjusting a Roller Wheel down (lower in the slot) will raise the door glass as Fig.e;
 5. Tighten the screw, put the door on the guide rail, gently move the door and observe the door whether aligns with the Wall Jamb(E);
 6. Repeat step 2-5 until the door aligns with the Wall Jamb(E).

10 Towel Bar (F) Installation

NOTE

Attach the Towel Bar (F) to the Door Panel(C1,C2) . Be sure to use all of the supplied rubber gaskets to protect the glass.

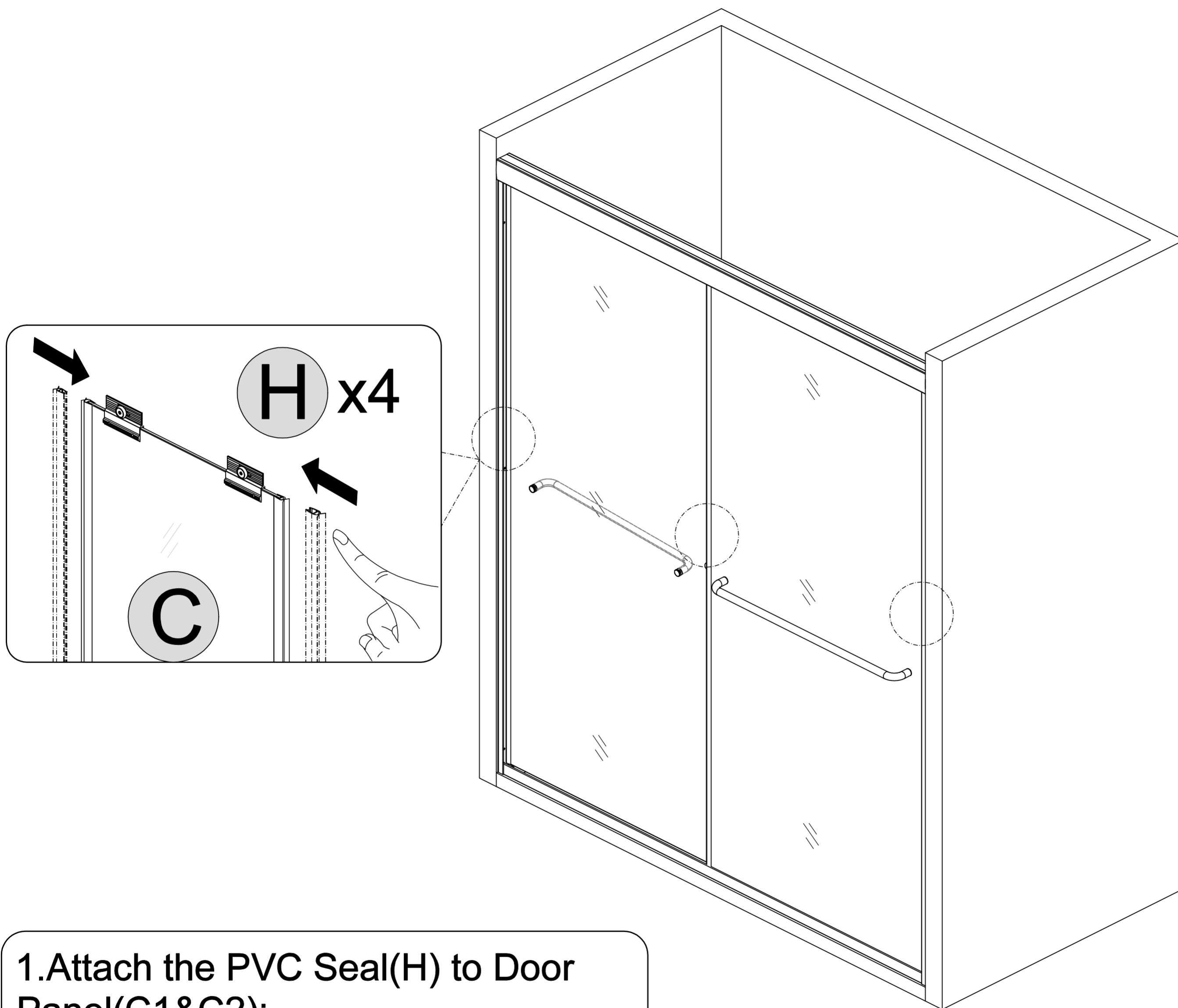


11

Attach the PVC Seal(H) to Door Panel(C1&C2)

NOTE

2 pieces on each door.



1. Attach the PVC Seal(H) to Door Panel(C1&C2);
2. Seal is same height as Door Panel(C1&C2).



12

Attach the Lock(I & J) to Upper guide rail(M) .

NOTE

Put one lock into the track of the Upper Guide rail(M) , and then move the lock to the side until the tab of the lock goes inside the hole of the Wall Jamb(E). Repeat this installation to install all 4 locks as Fig. a

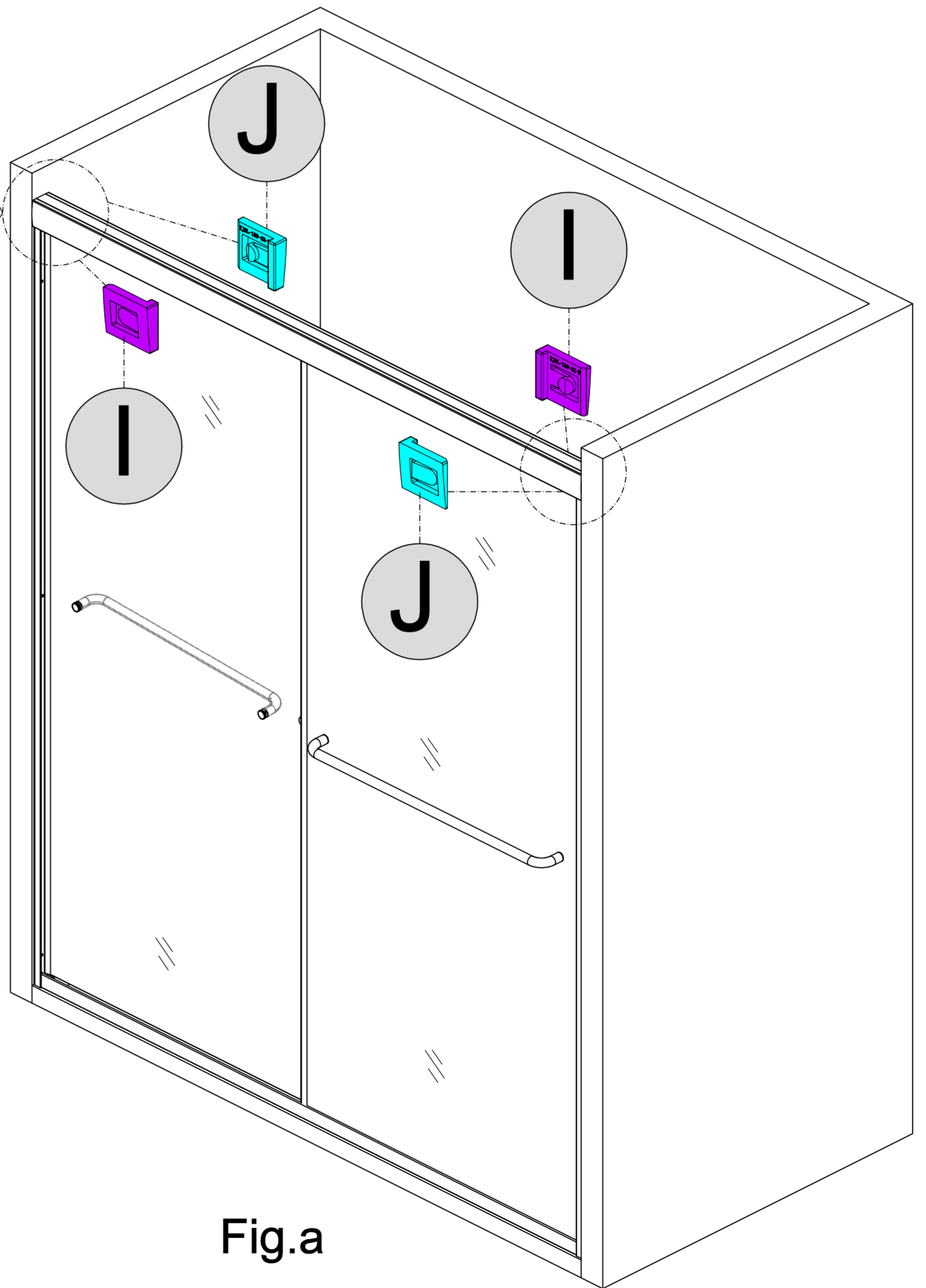
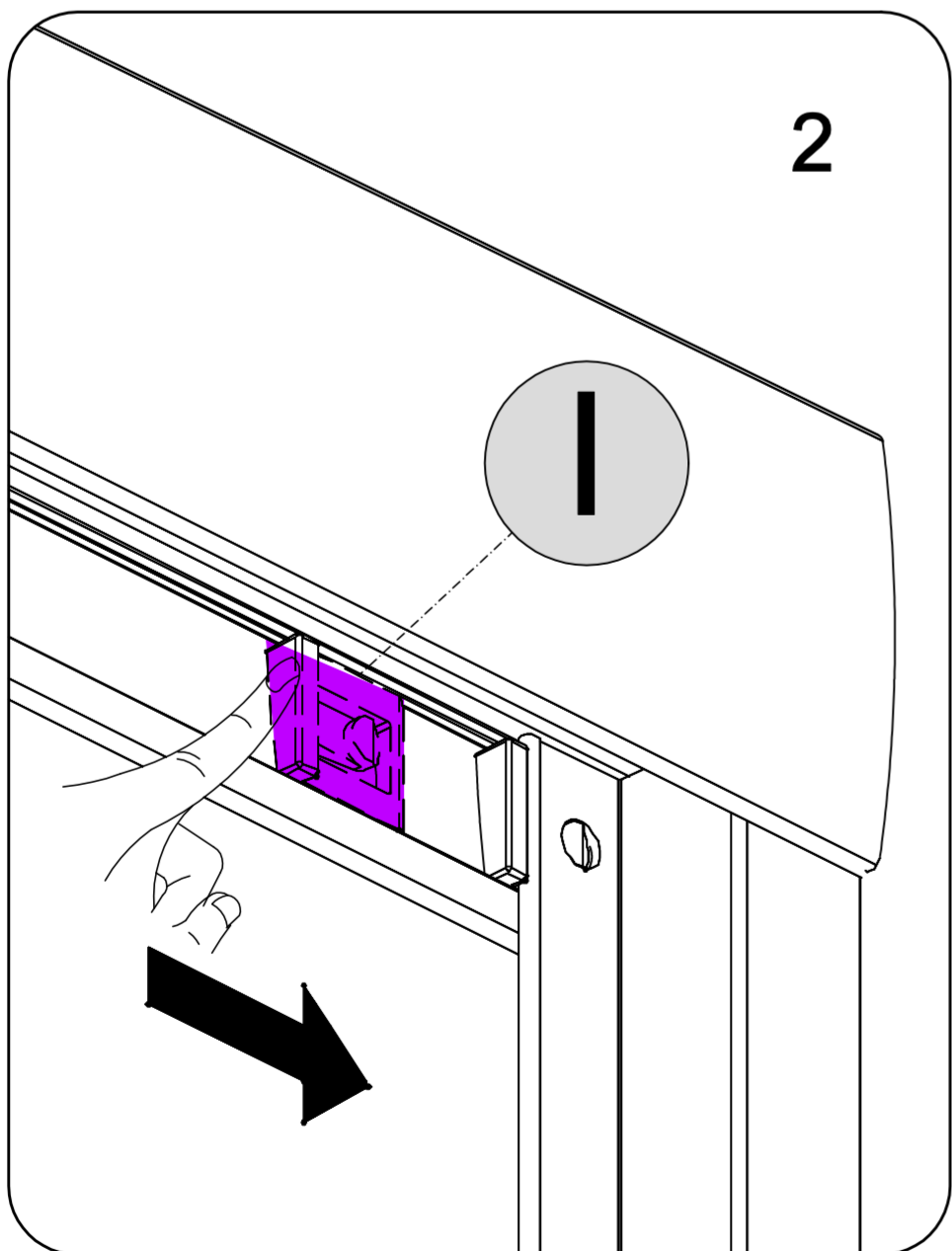
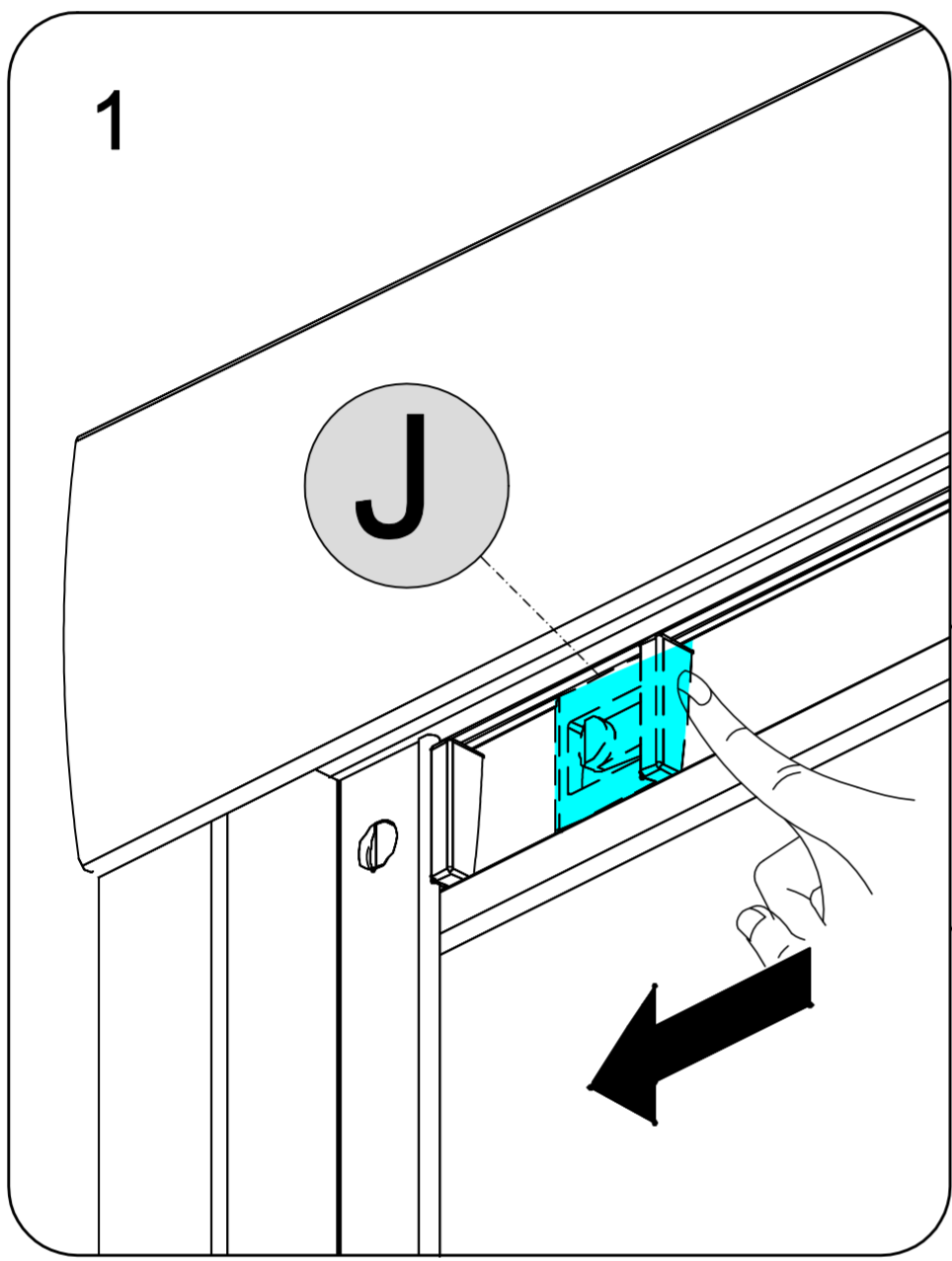


Fig.a

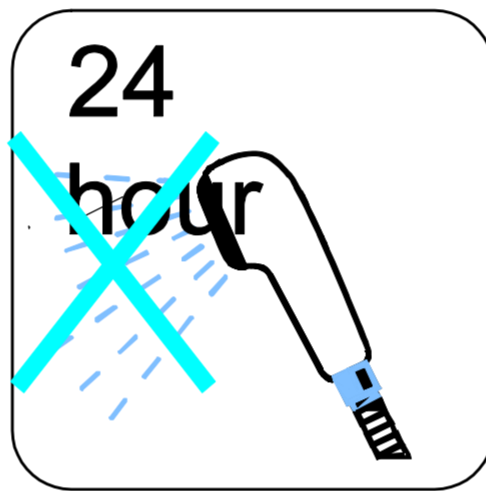
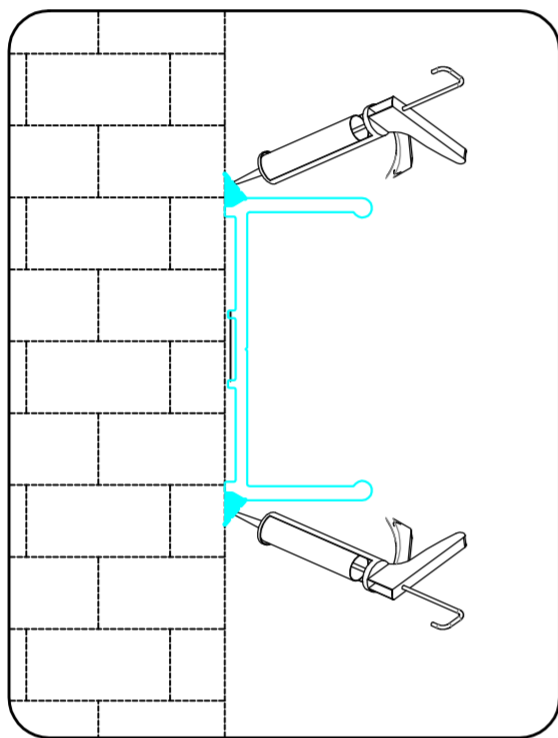
13 SEALING

NOTE The surfaces need to be clean and free of debris before applying silicone.

NOTE Ensure that the Shower door closes tightly and opens smoothly. Apply a good quality silicone sealant along the wall Jamb(E) and Bottom Rail(B) .

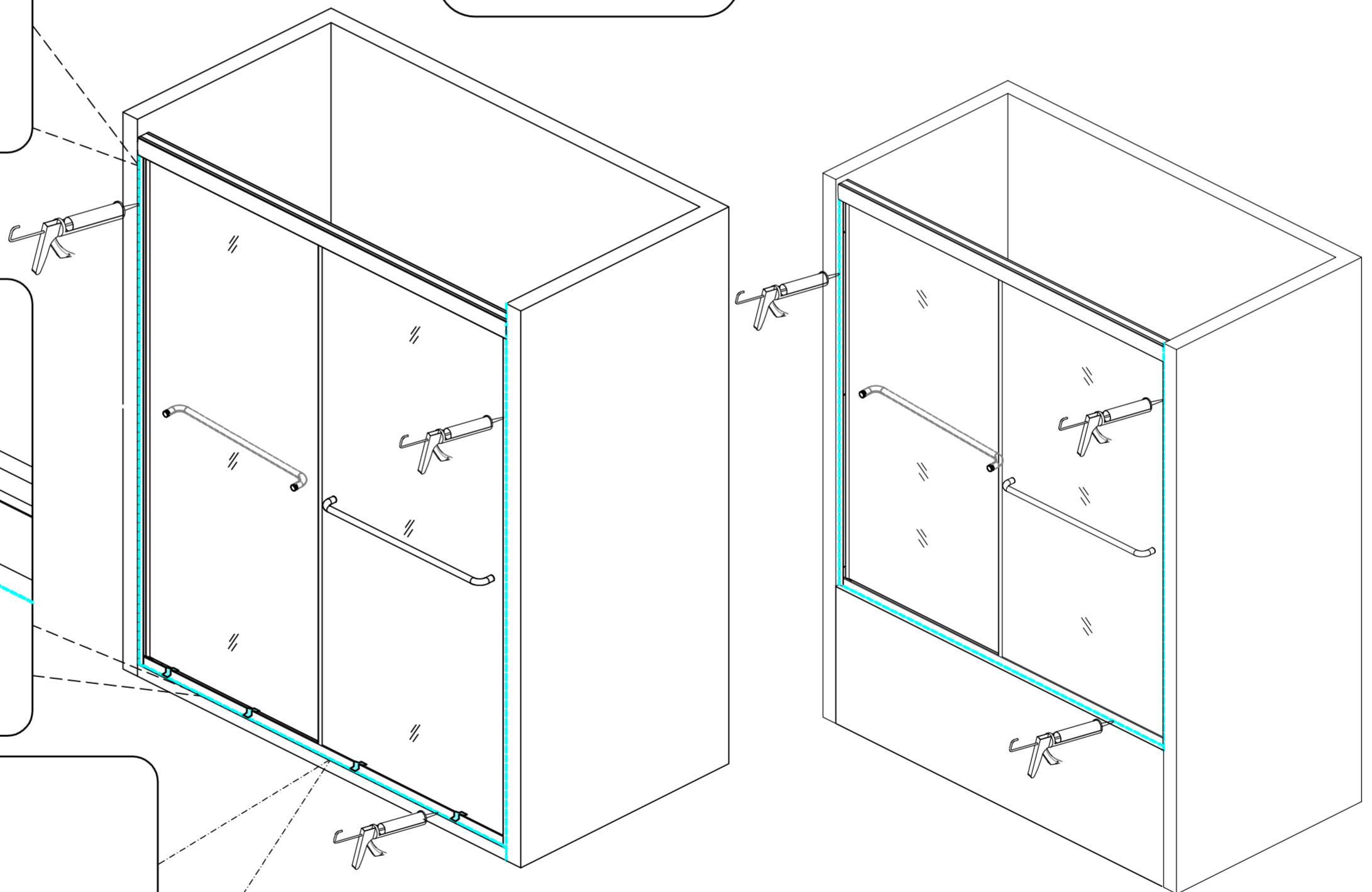
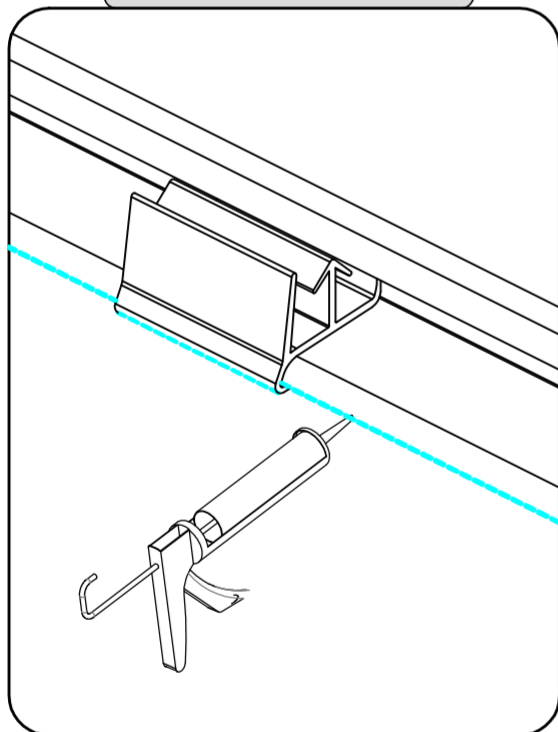


Allow 24 hours for the silicone to cure before using the shower.

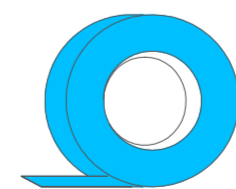
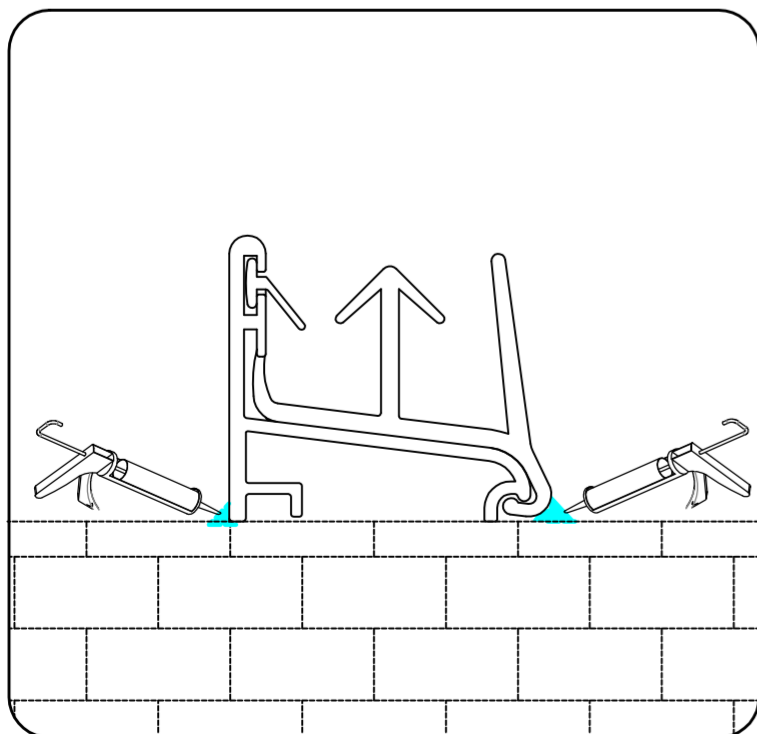


! Apply Silicone Sealant, (not supplied).

Inside View



Apply silicone around the bottom rail.



Use Painter's Tape to hold the Water seal tight in position while the silicone cures.