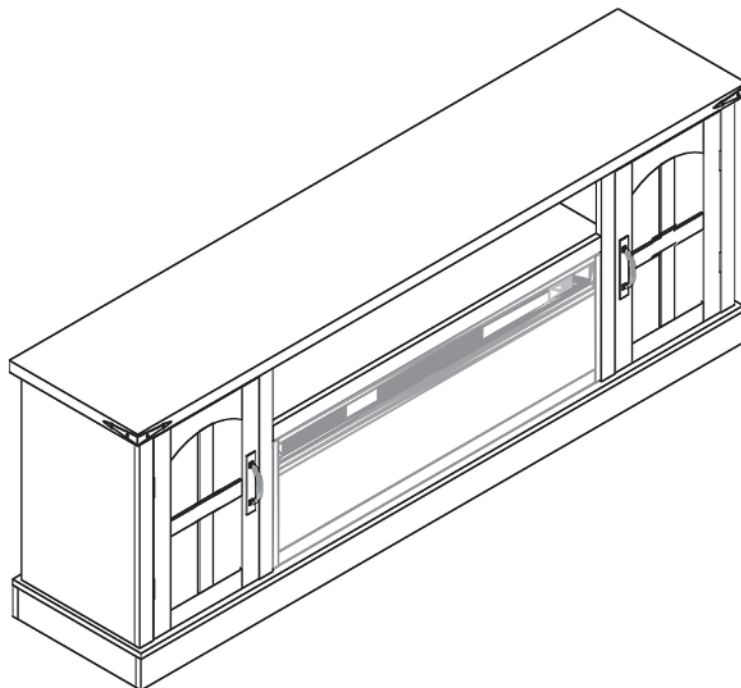
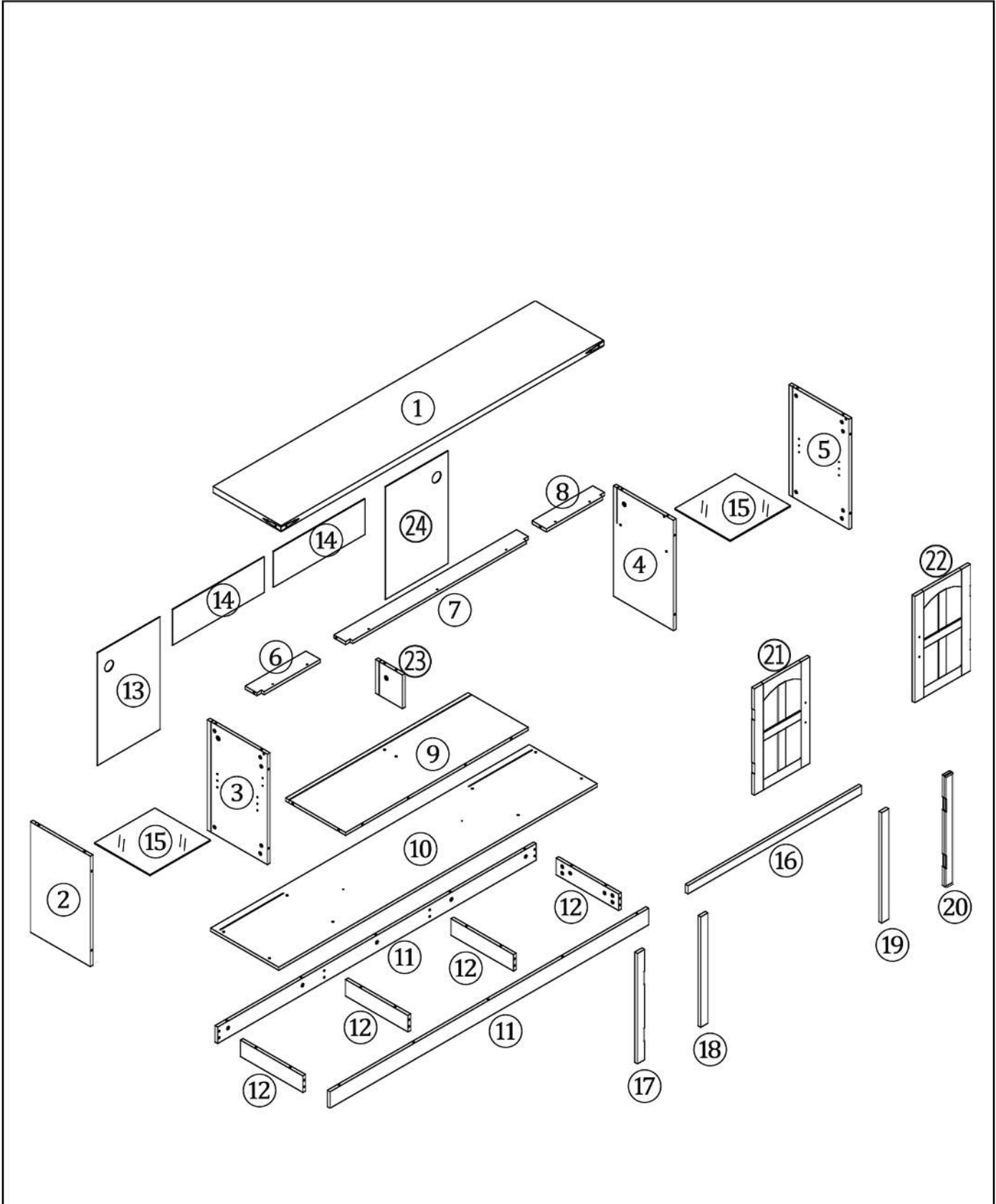



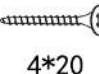



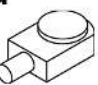
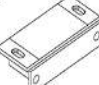








ASSEMBLY INSTRUCTION

- Please follow the instructions to assemble the items correctly.
- Please ensure the safety of the glass when assembling.
- Do not make the screws too loose or too tight.
- As shown in the figure, Insert the screw into the hole.
The arrow in the picture, Then rotate 90° or 180° clockwise.
- The accessory bag contains some small accessories, which should be kept away from children.
- The remaining parts are spare parts.
- Warm reminder white backboard please install the white side inward
- The operating instruction of RGB light is included in the package , please read it carefully when assembling



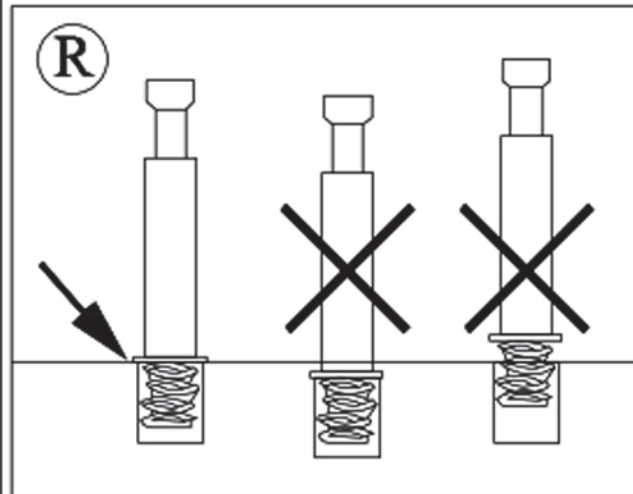
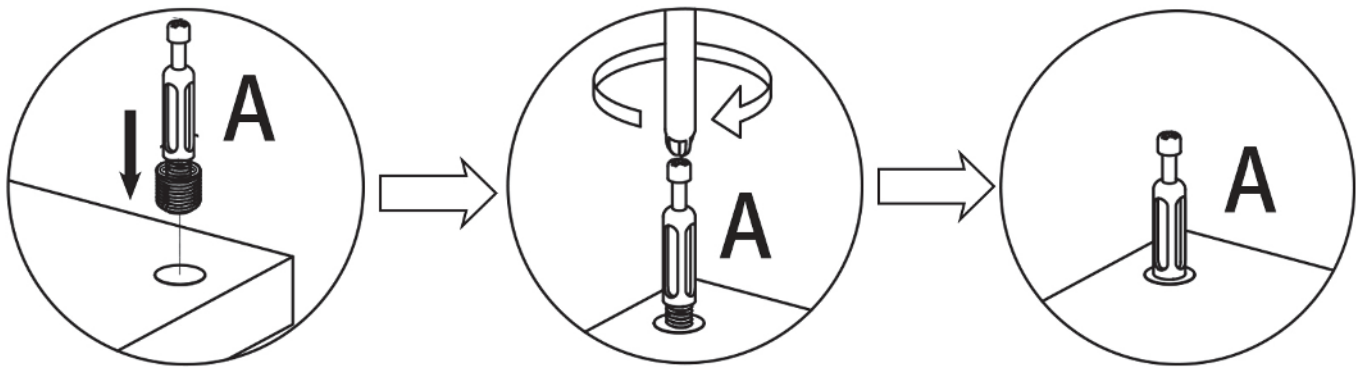


A  70pcs	B  70pcs	C  3.5*14 52pcs	C6  4*20 7pcs	E  8*40 6pcs	F  2pcs	F1  4*22 4pcs	G  8pcs	O  2pcs
I3  4pcs	Y  16pcs	AG  1pcs	AM  Decorative paper 28pcs	 LED	 fireplace			



Hardware installation demonstration

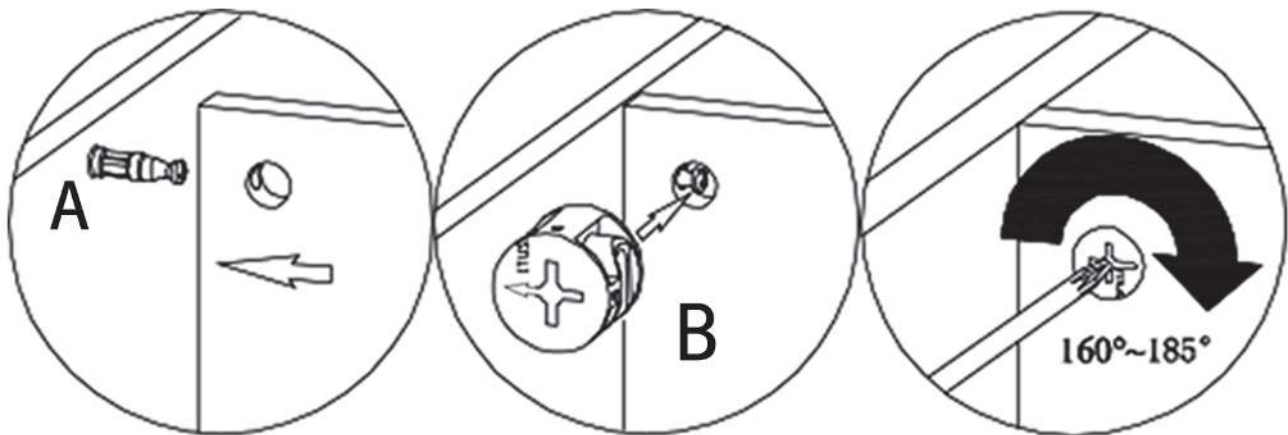
- Please make sure "A" hardware tightened and can't be pulled out



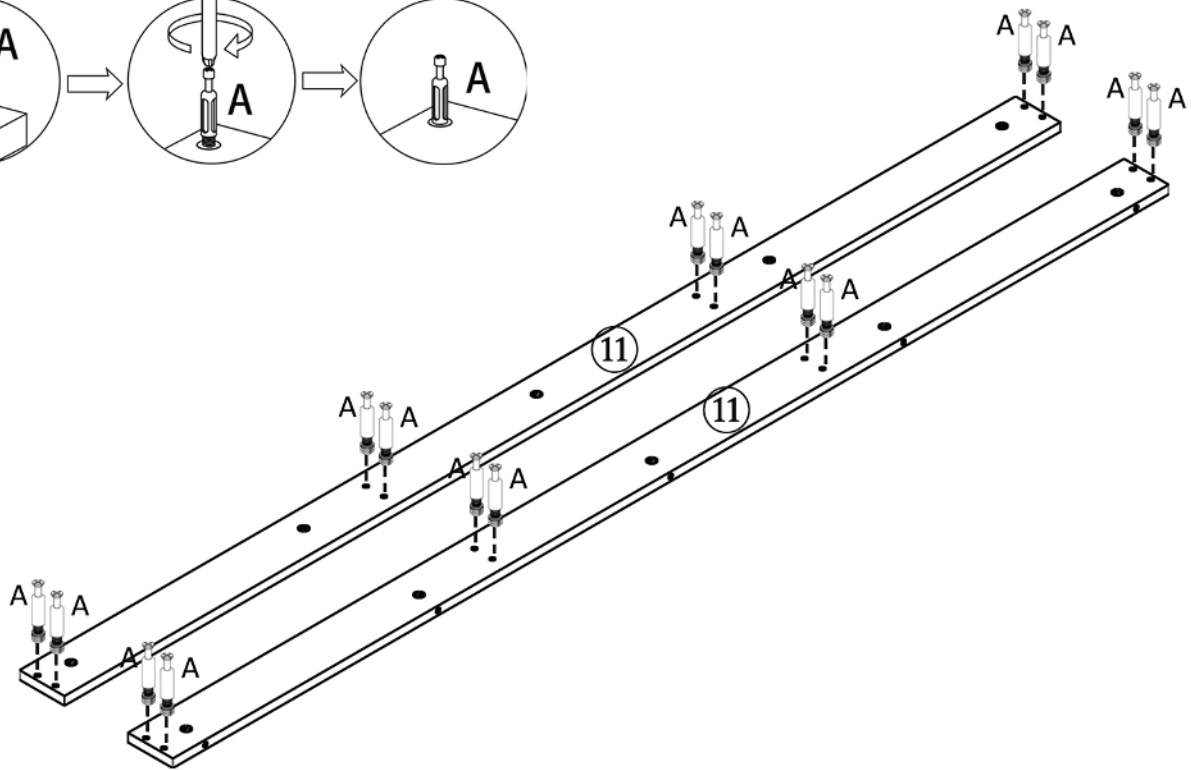
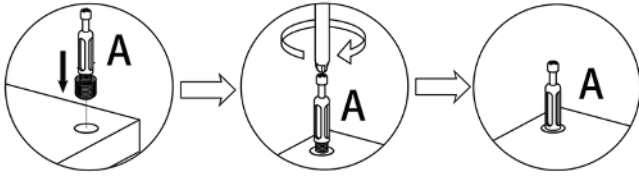


Hardware installation demonstration

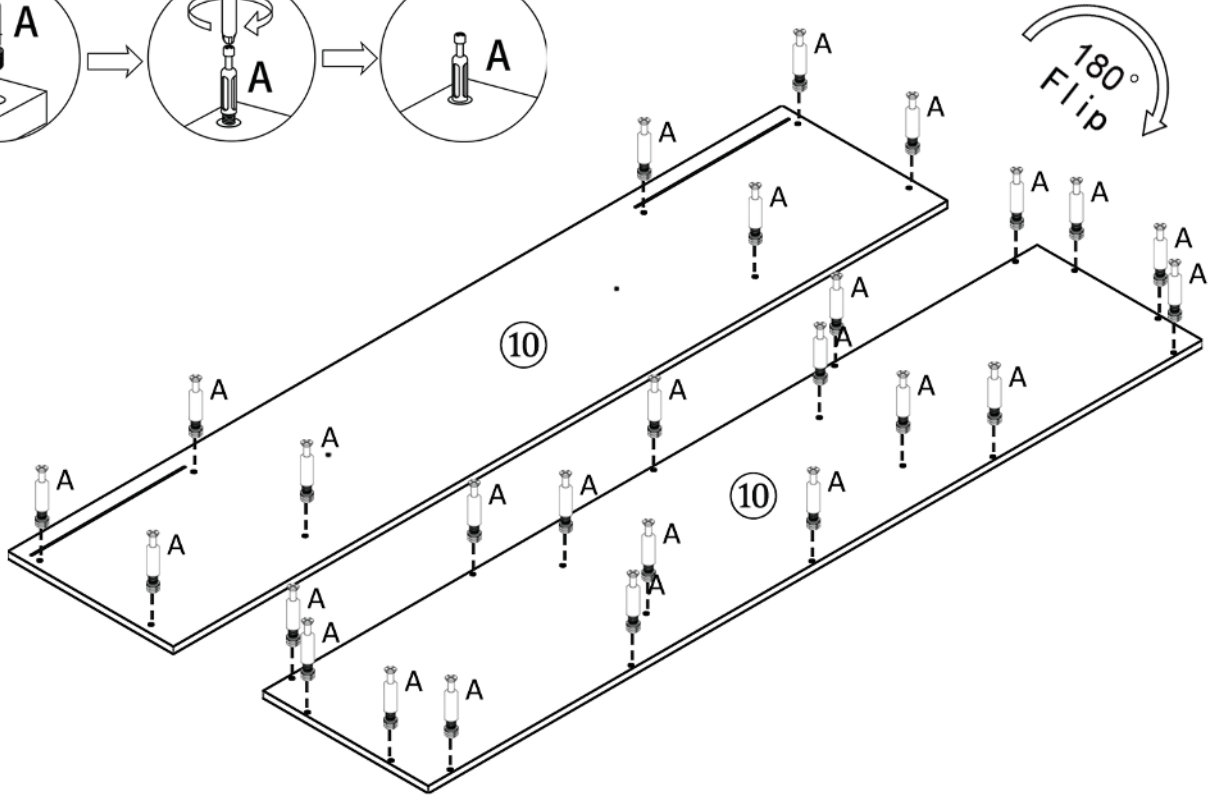
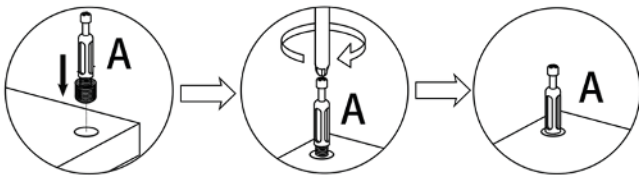
- When inserting cam ensure arrowhead on cam points toward to the hole on the panel edge



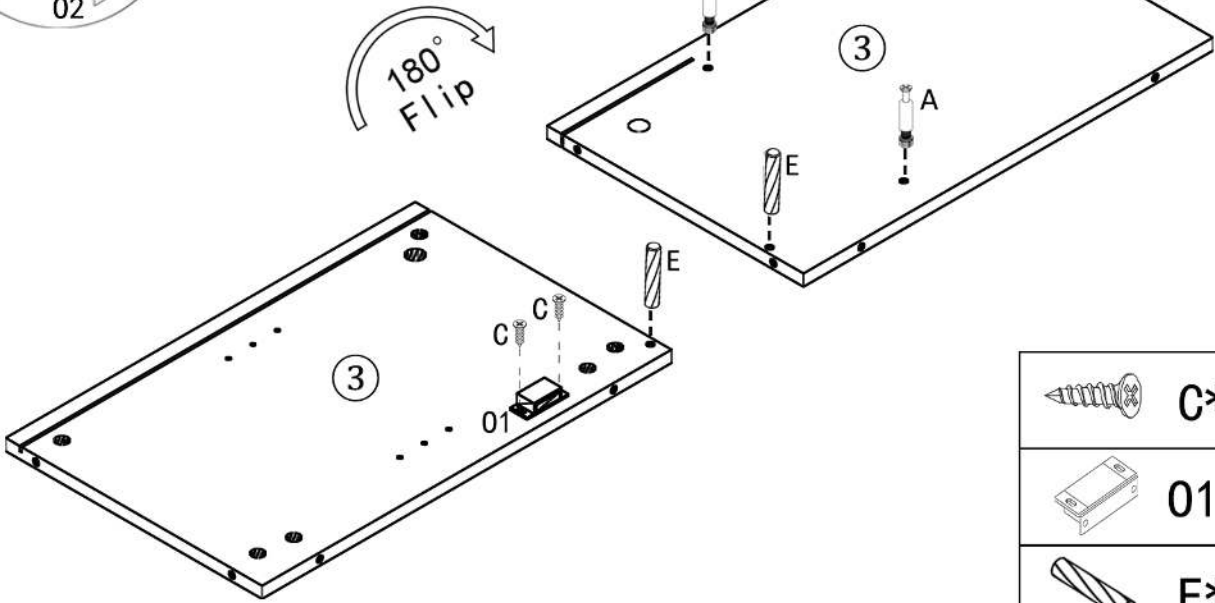
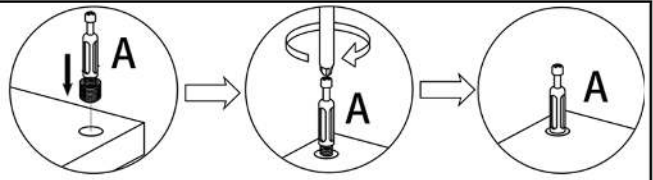
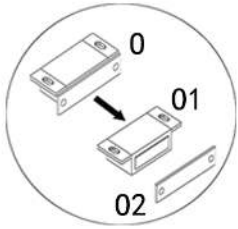
STEP 1







STEP 2

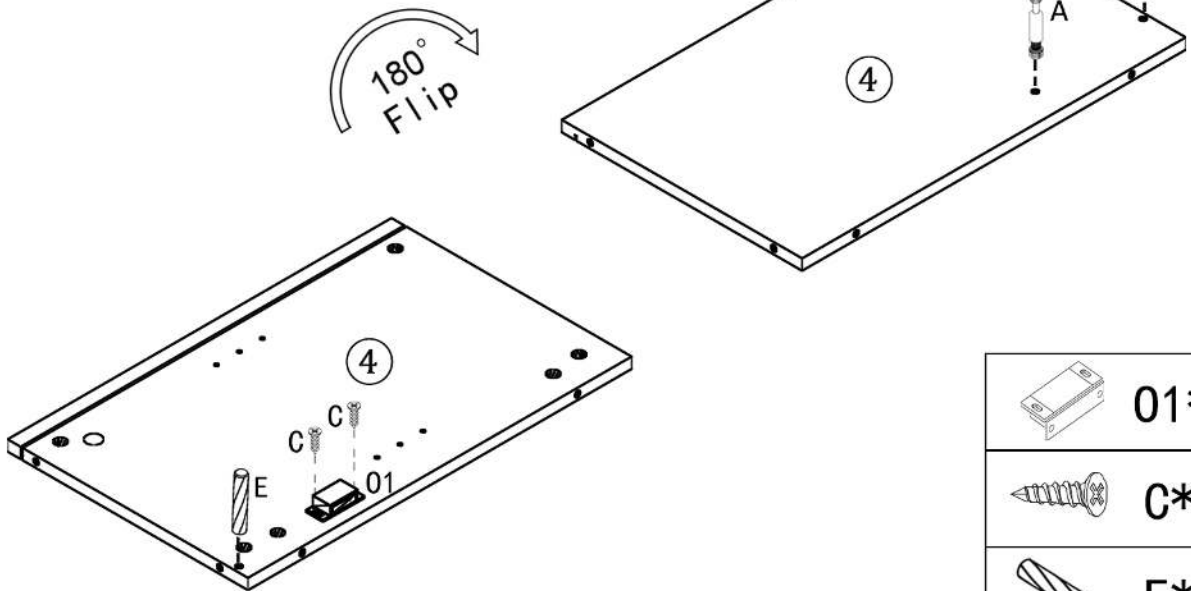
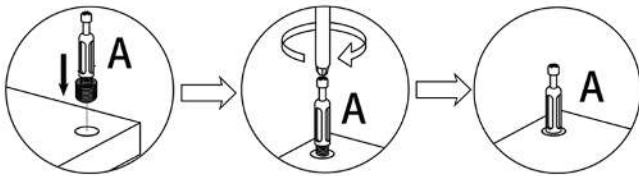


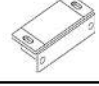



STEP 3



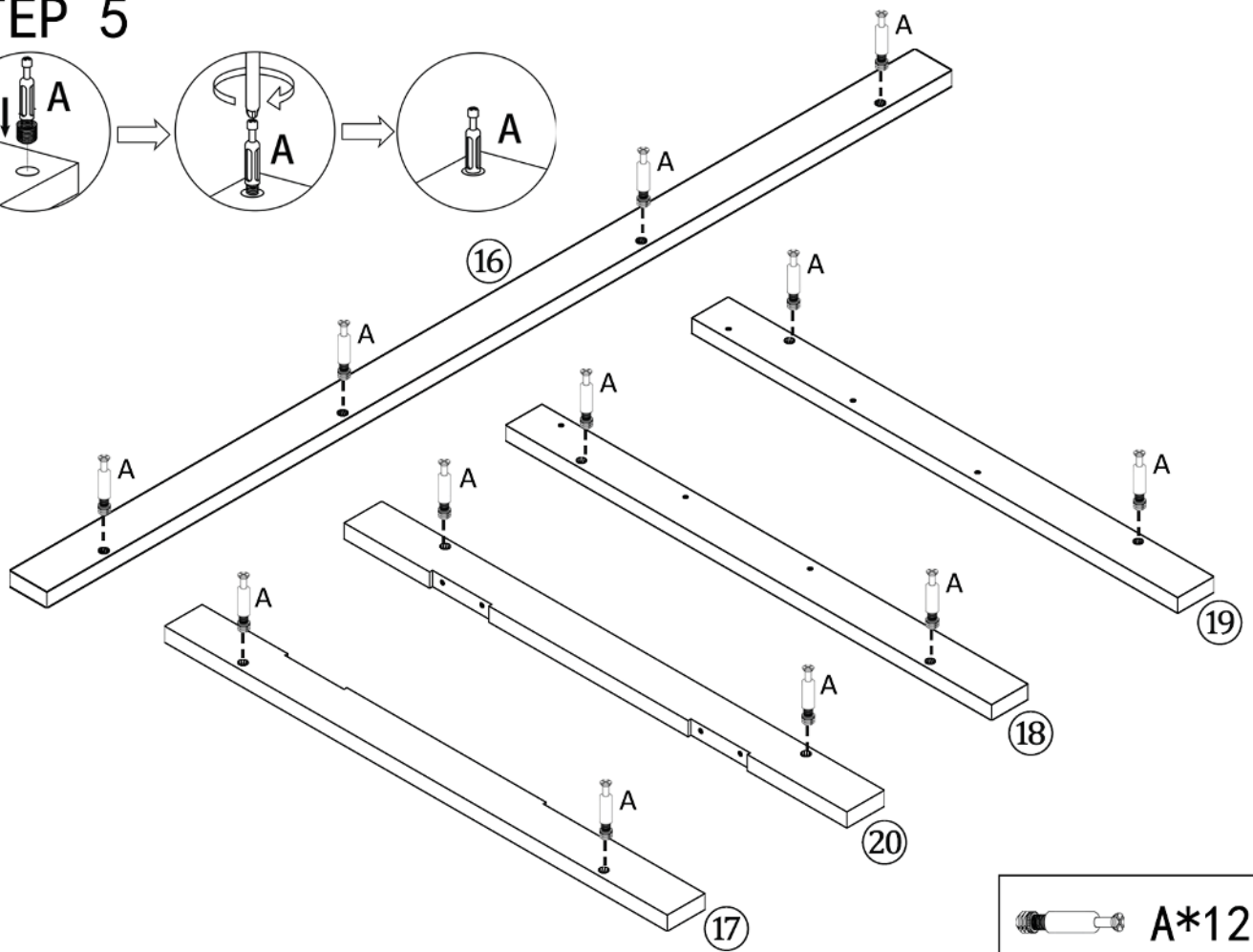
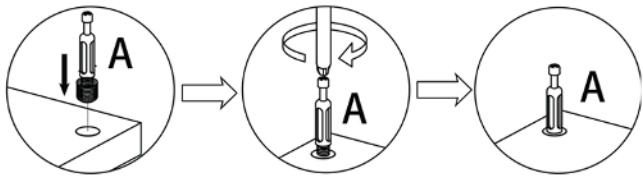
	C*2
	01*1
	E*2
	A*2

STEP 4

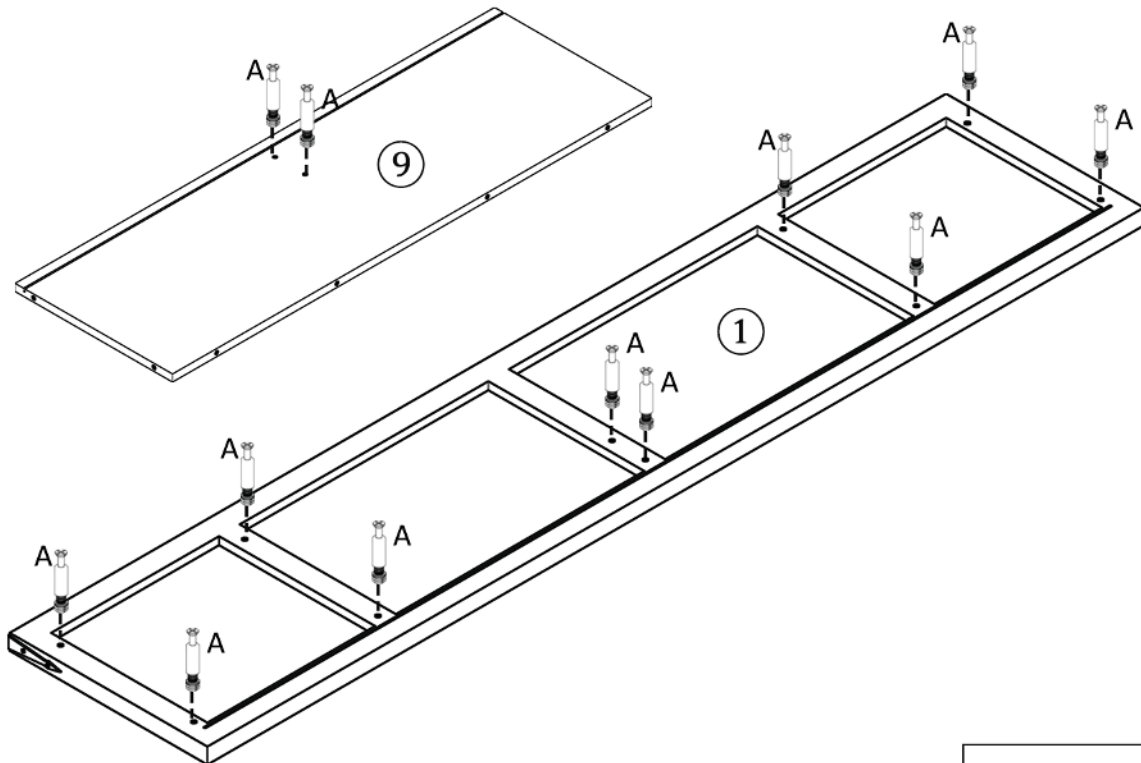
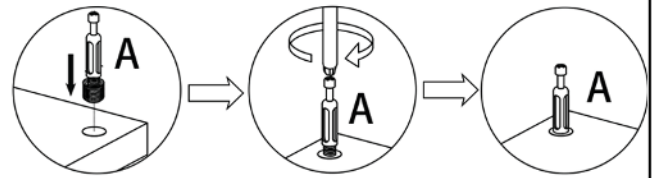


	01*1
	C*2
	E*2
	A*2

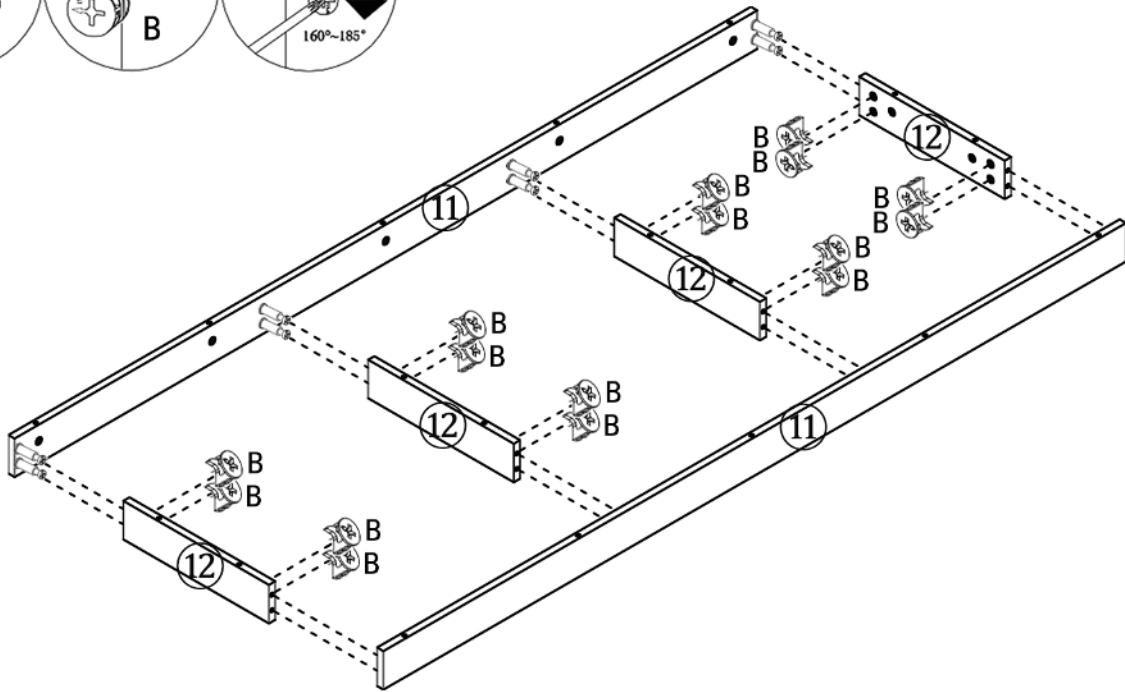
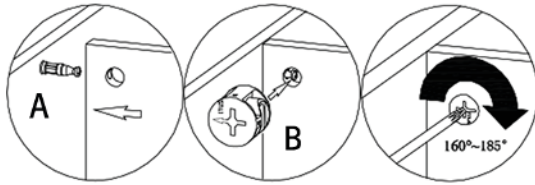
STEP 5



STEP 6

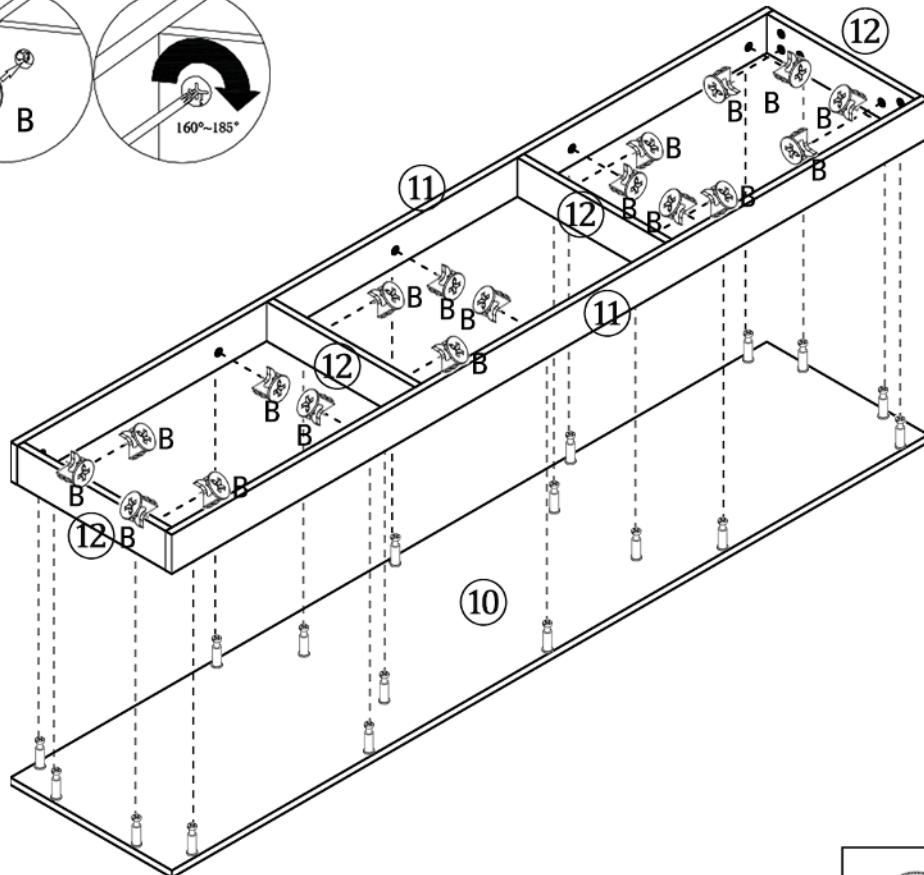
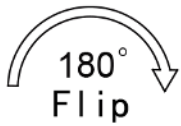
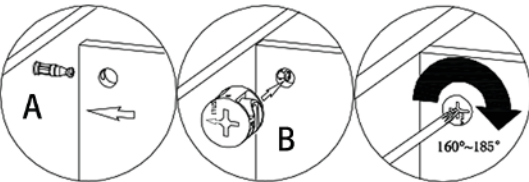


STEP 7



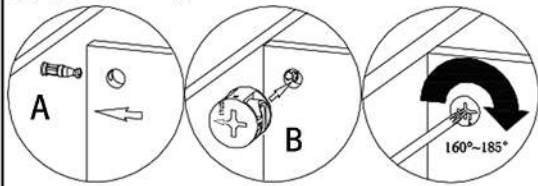
B*16

STEP 8

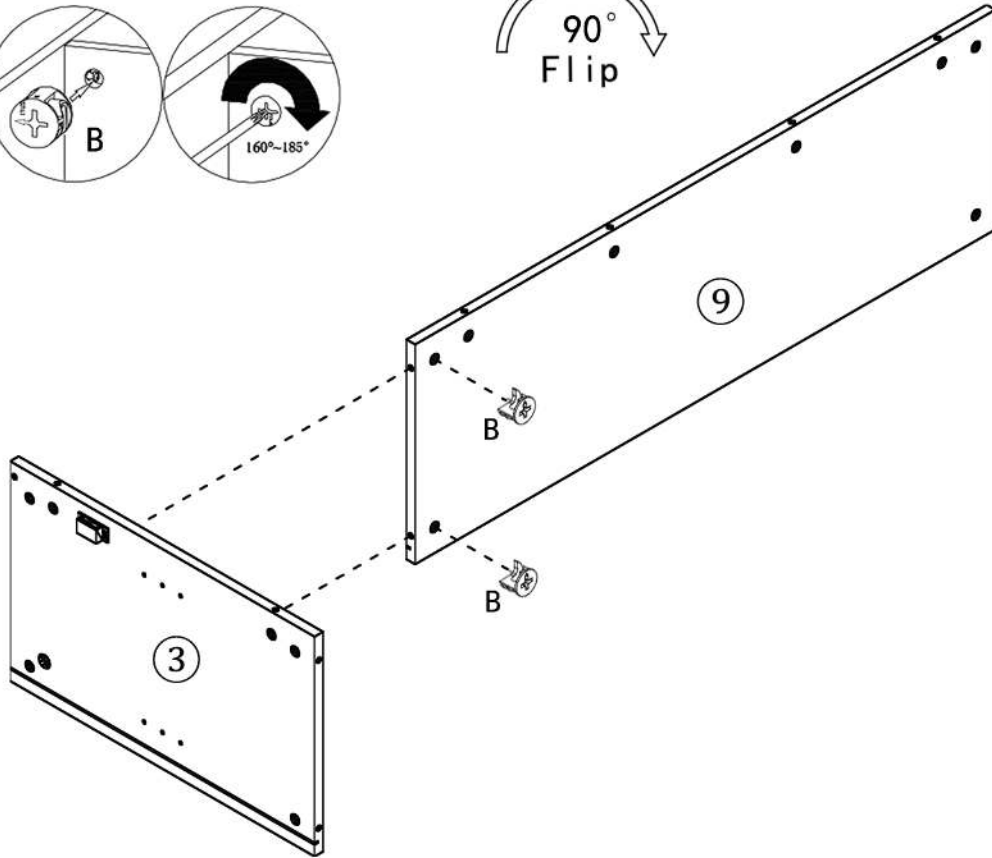


B*18

STEP 9

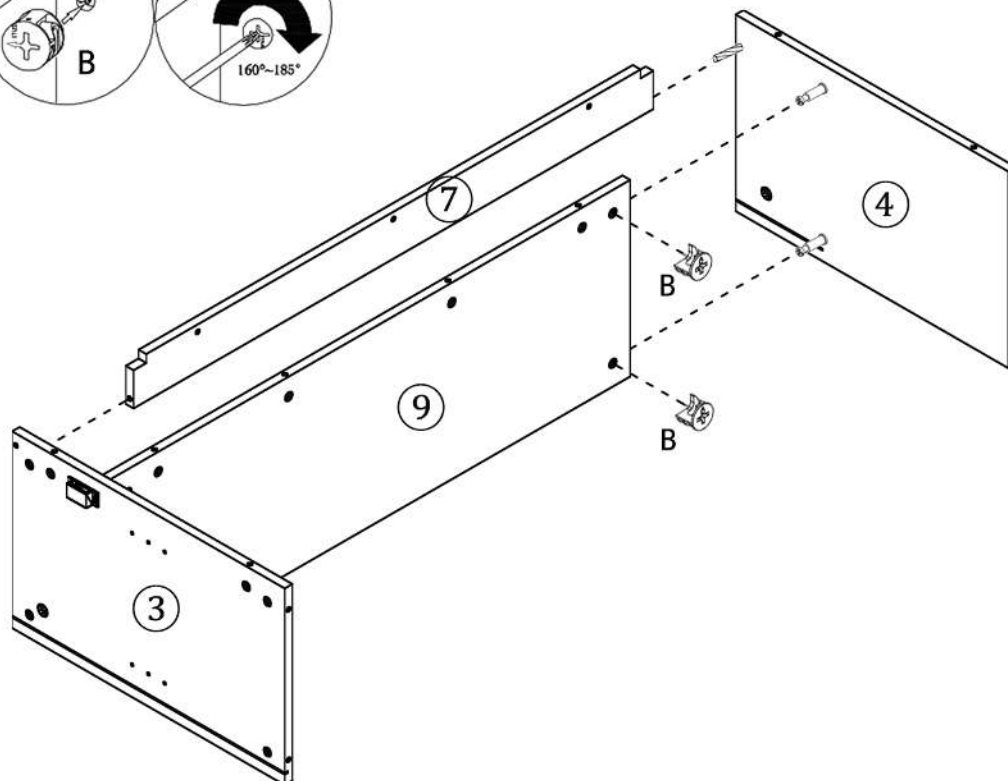
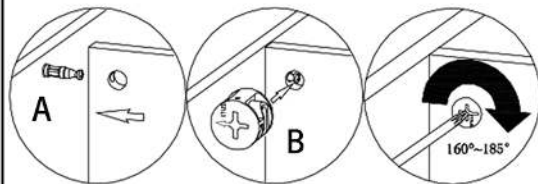


90°
Flip



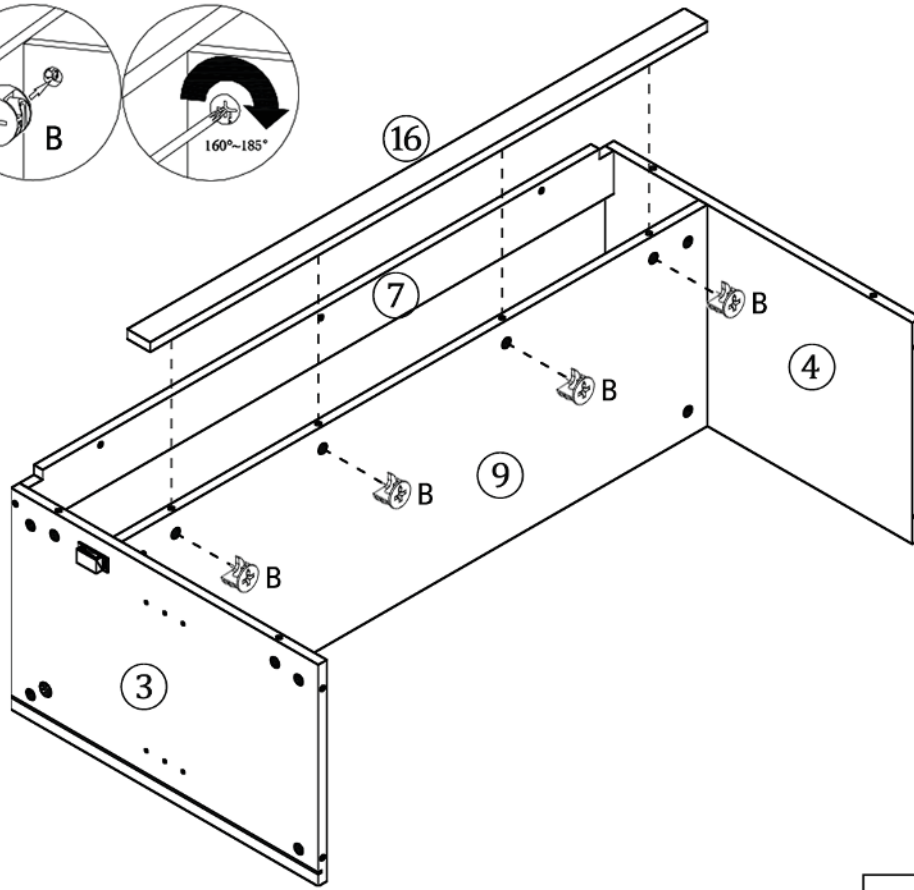
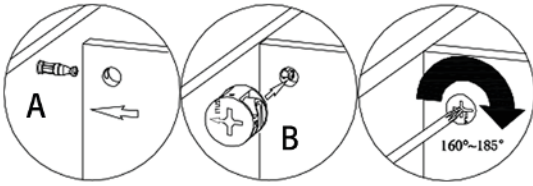
B*2

STEP 10



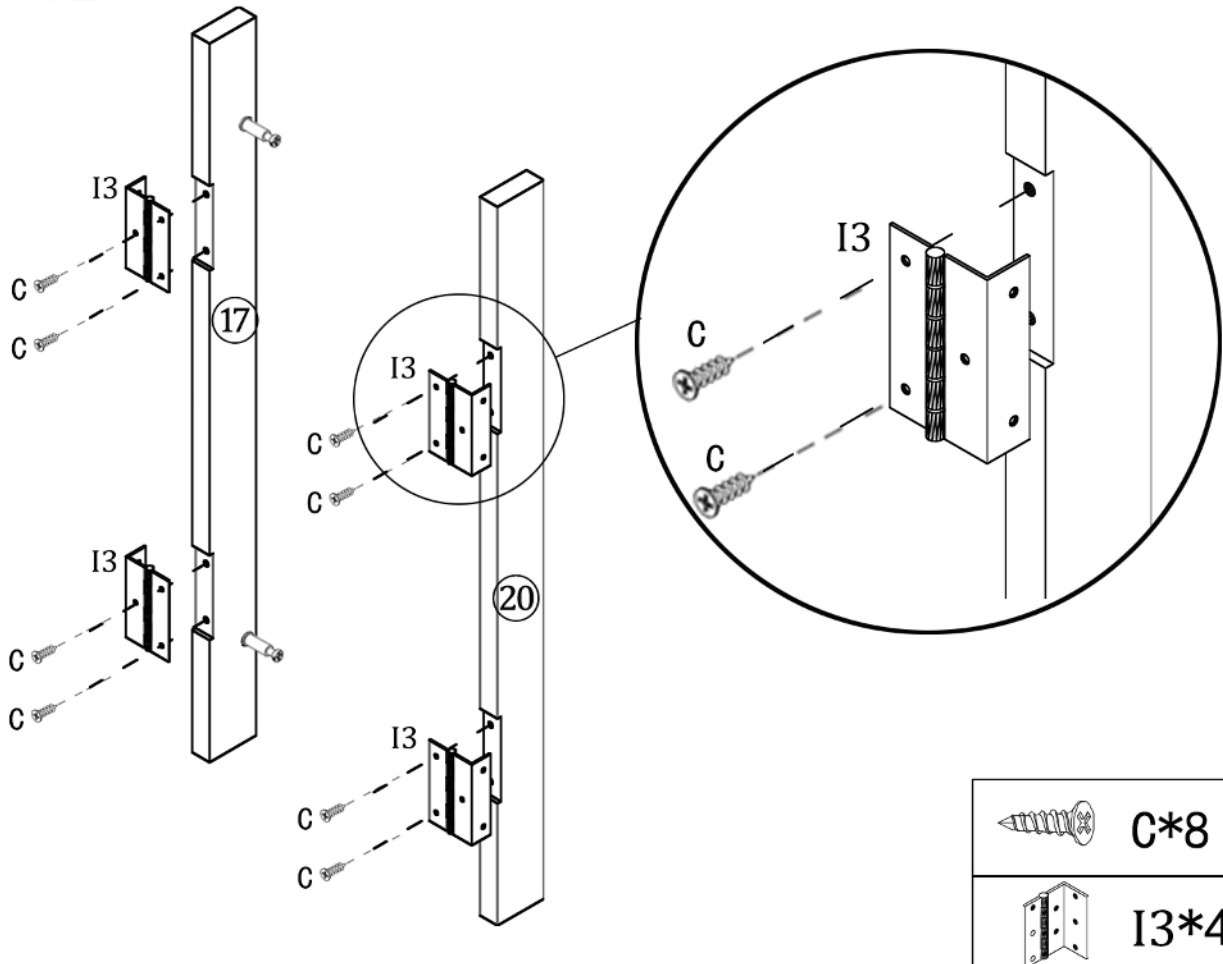
B*2

STEP 11



B*4

STEP 12

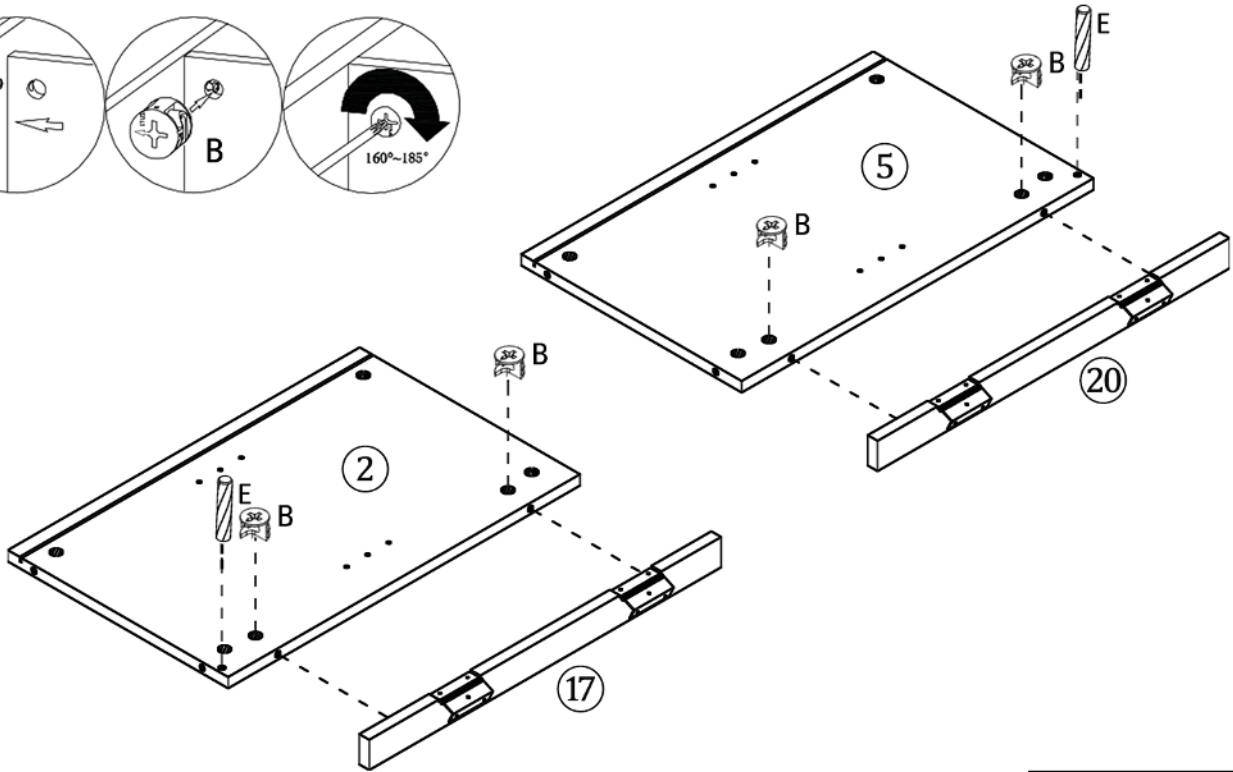
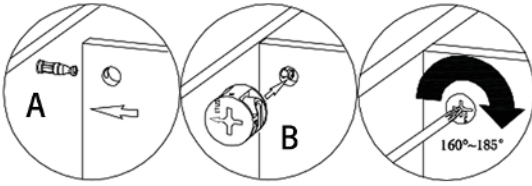




C*8



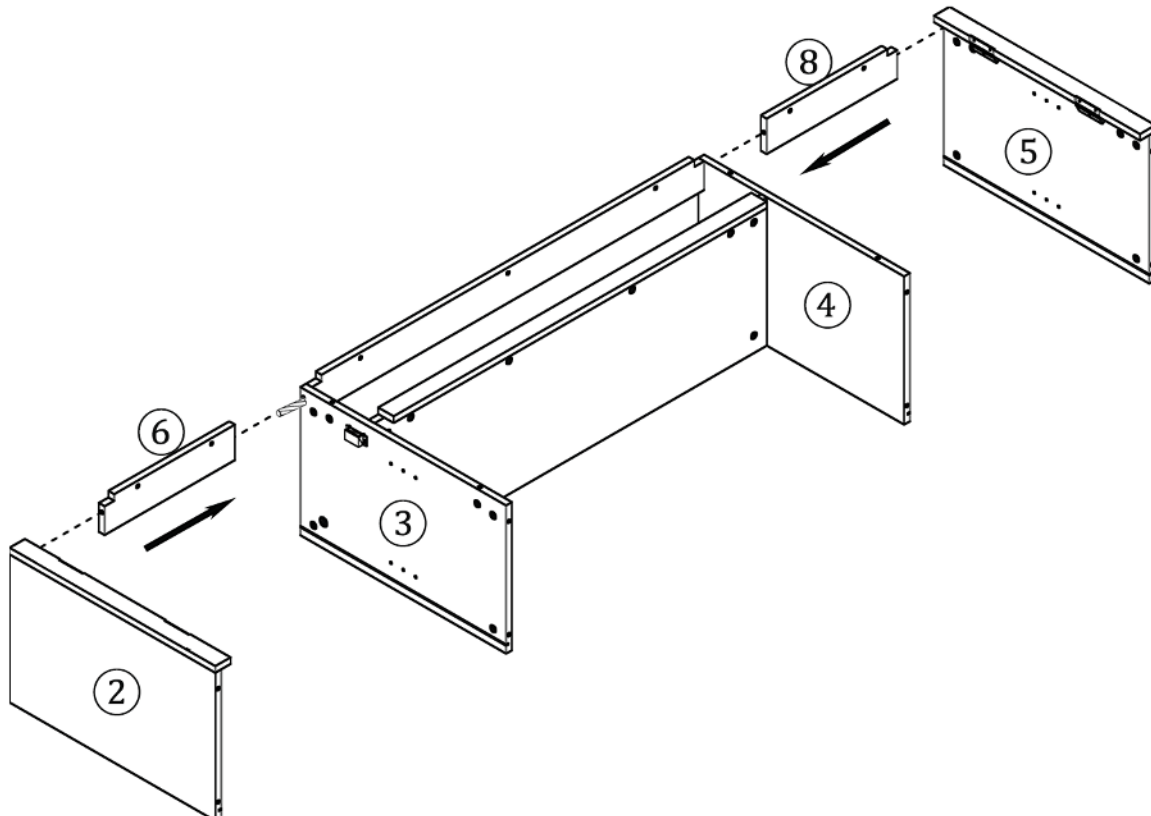
I3*4

STEP 13

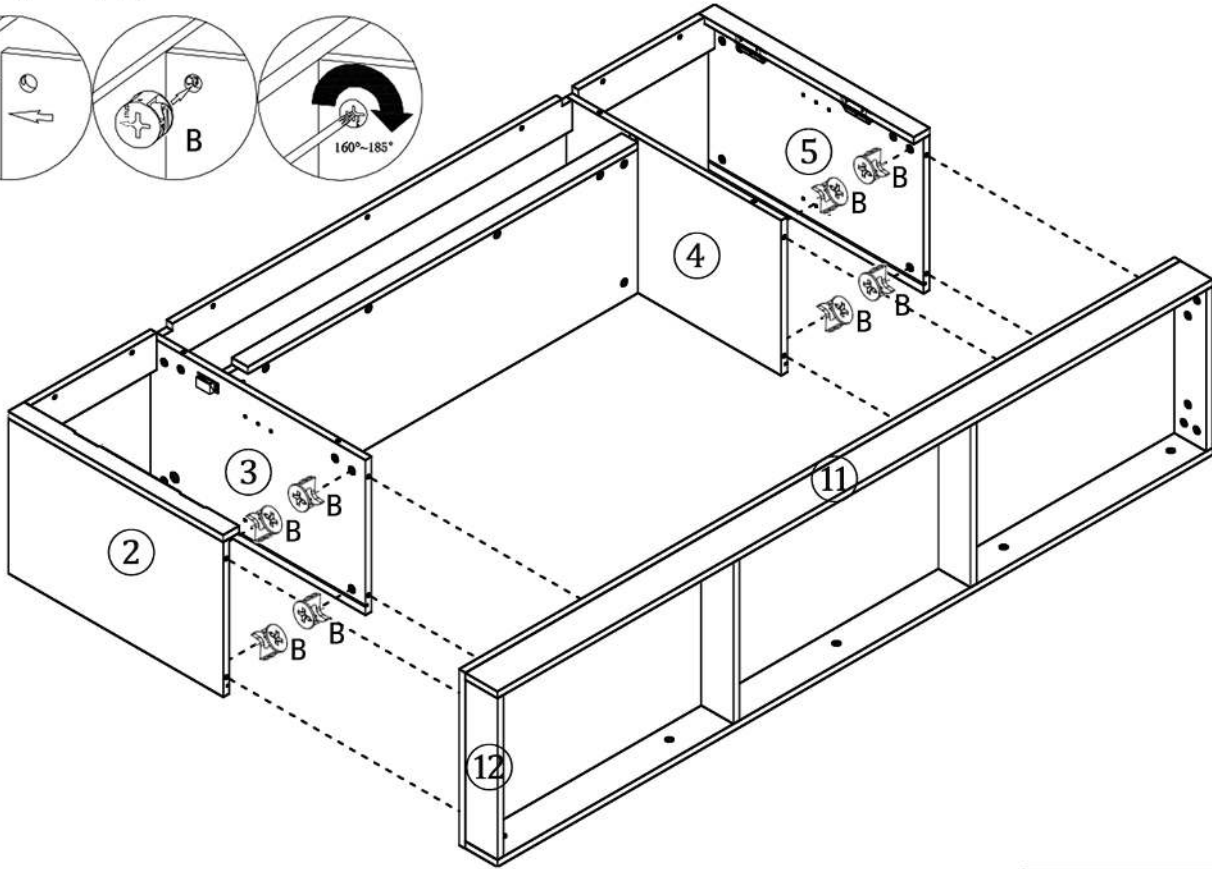
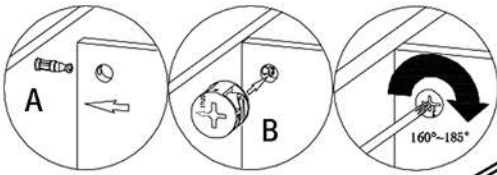


	E*2
	B*4

STEP 14

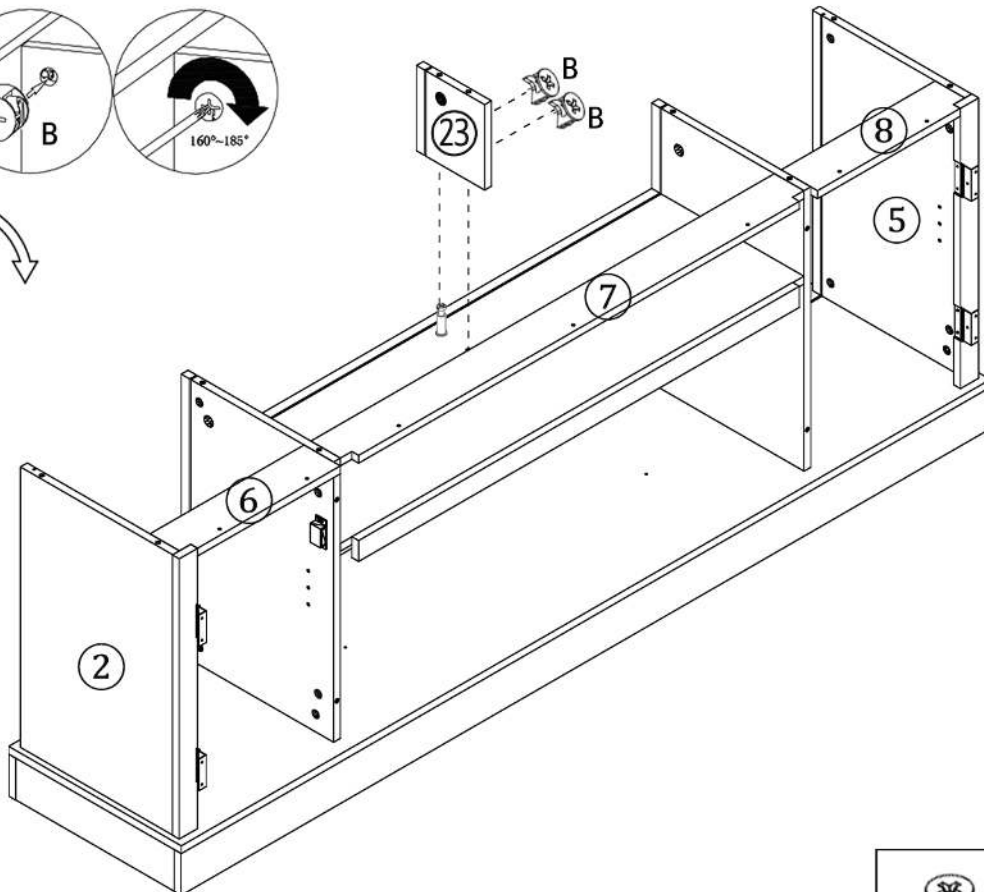
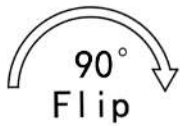
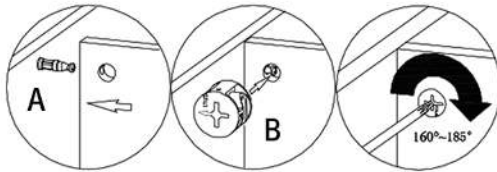


STEP 15



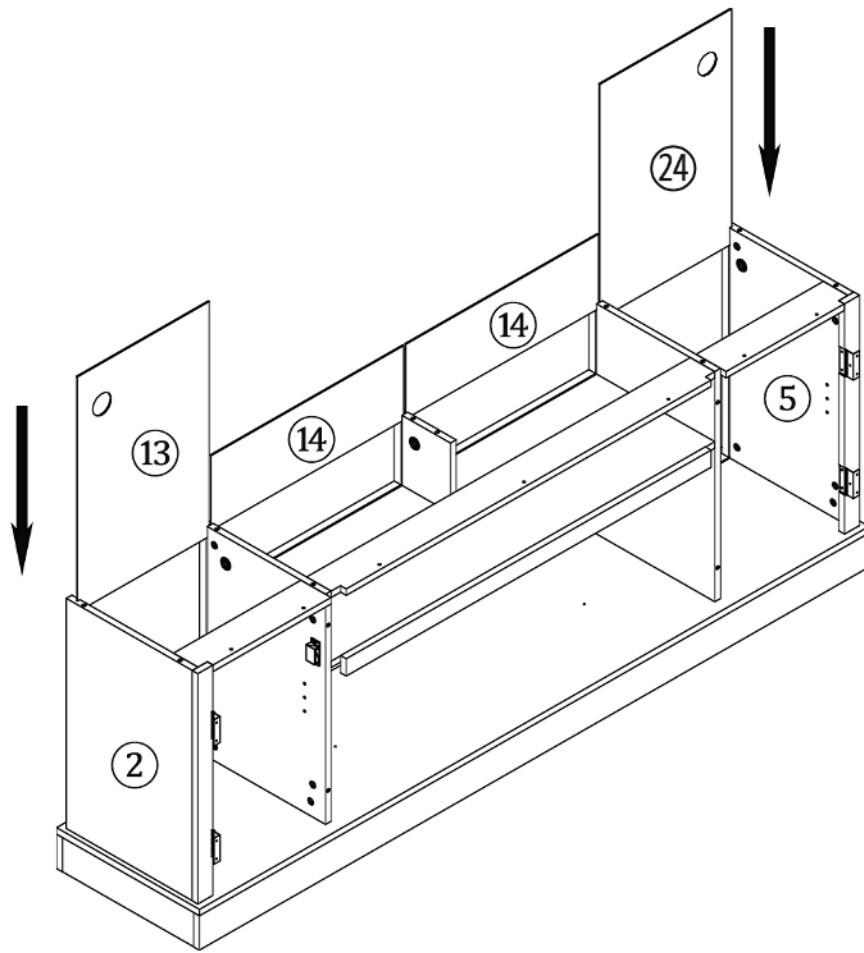
B*8

STEP 16

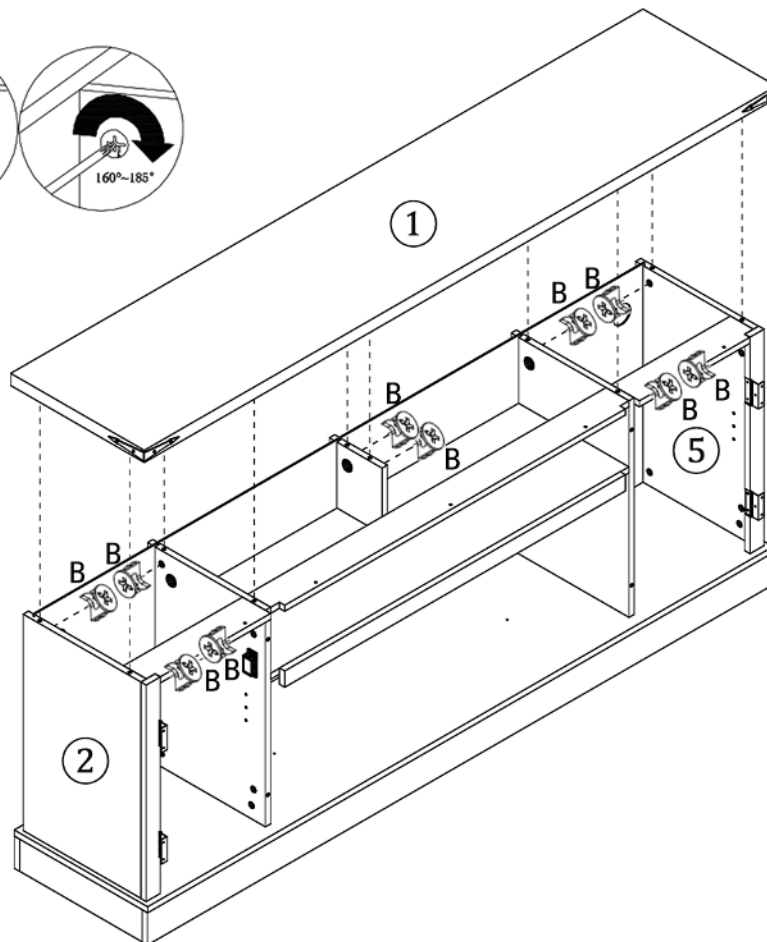
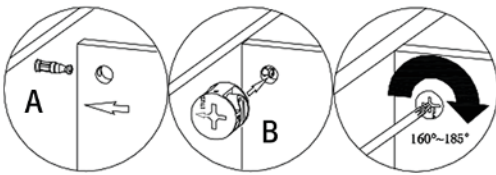


B*2

STEP 17

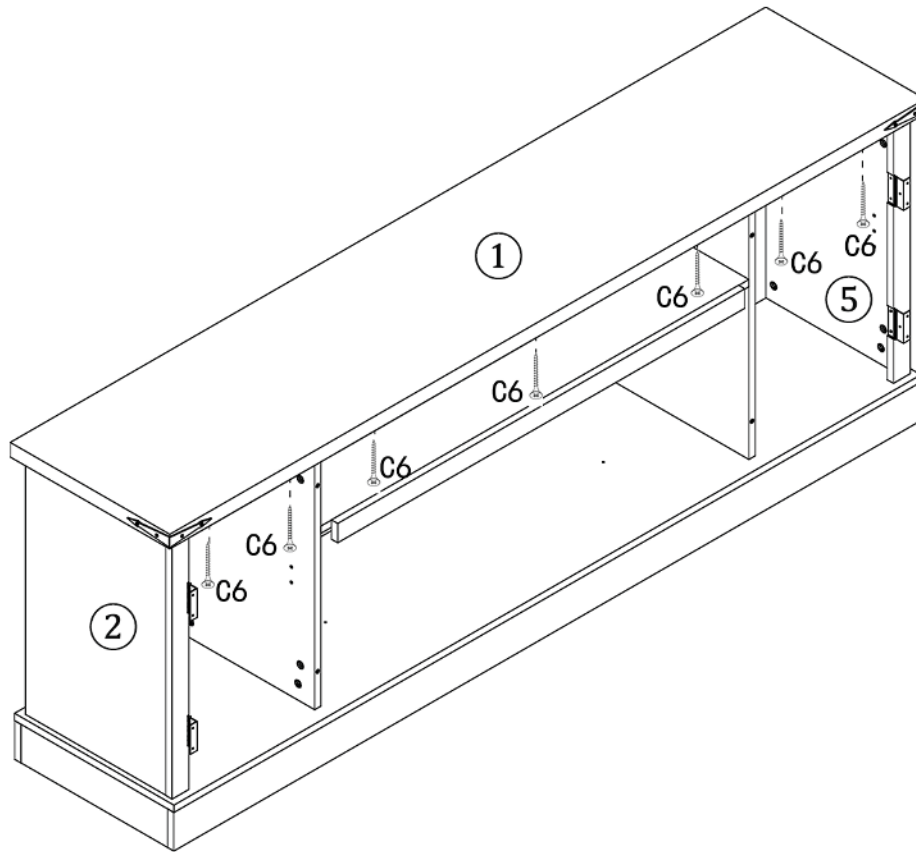


STEP 18

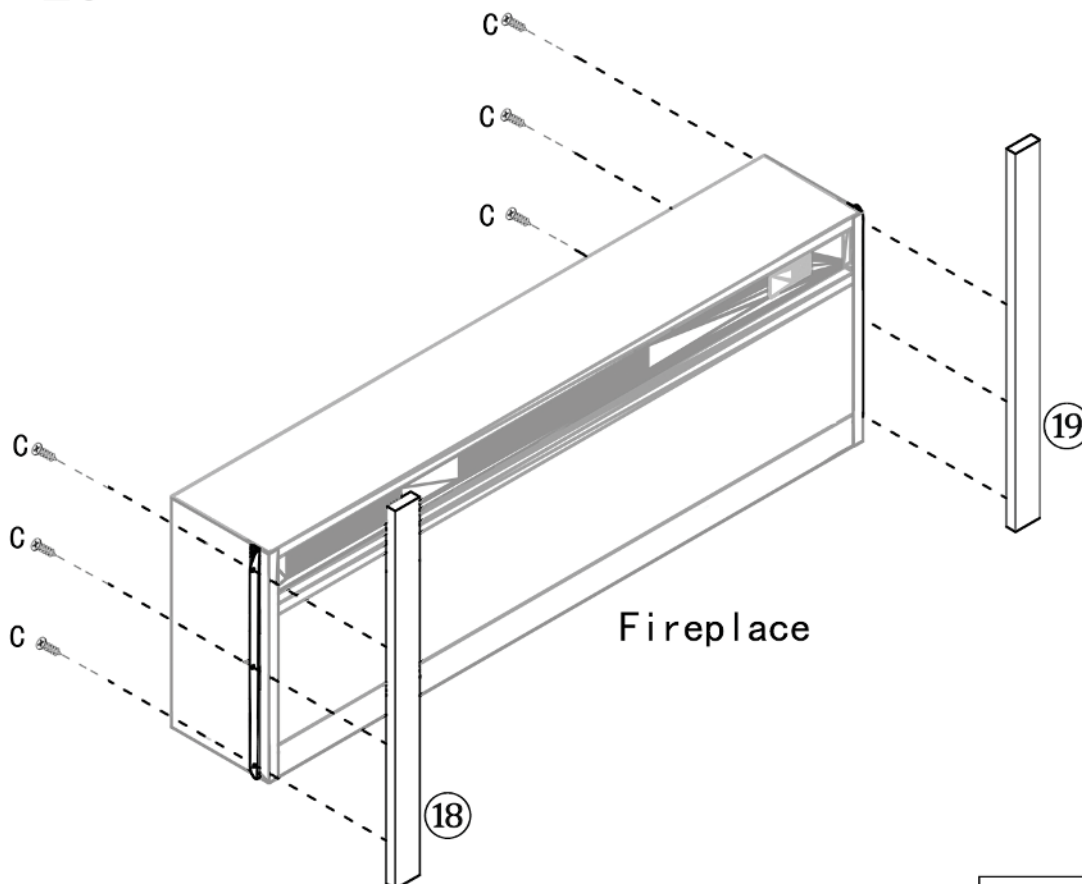


B*10

STEP 19



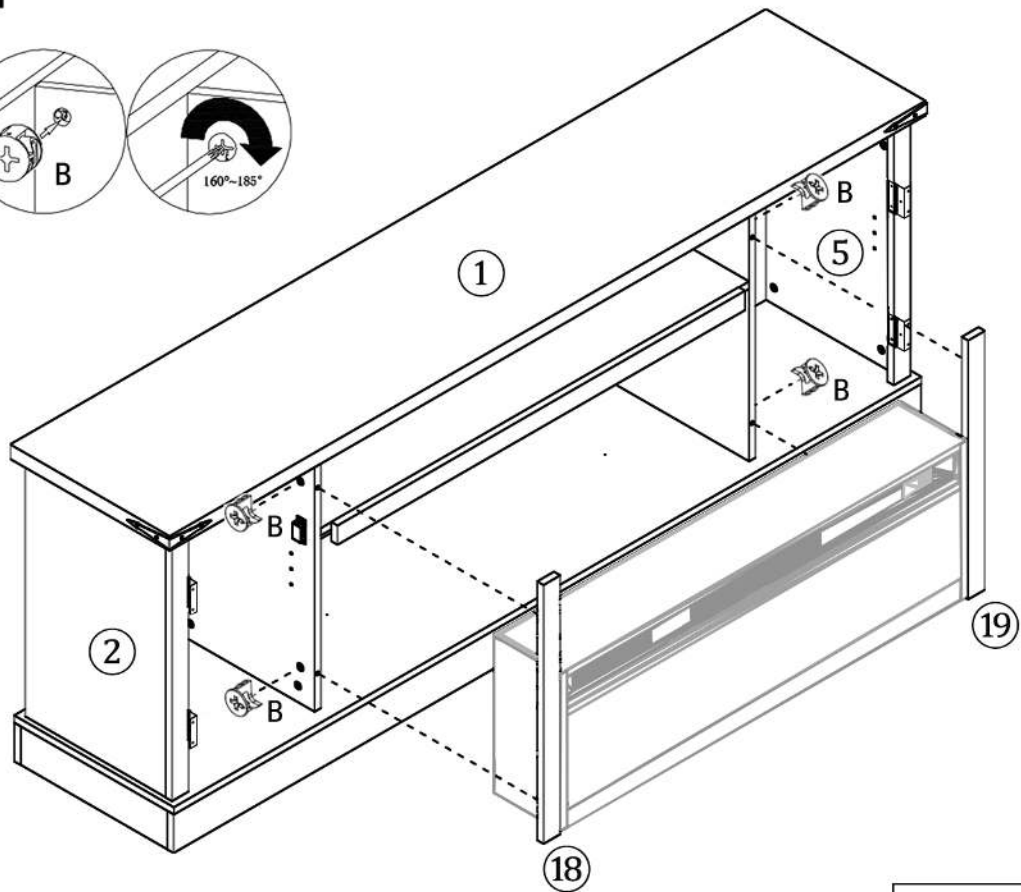
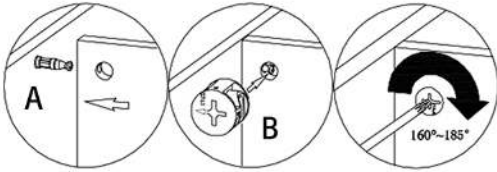
STEP 20



Please refer to the mantelpiece instructions to put the crystal in the fireplace first

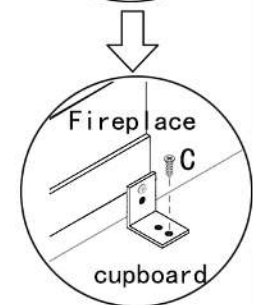
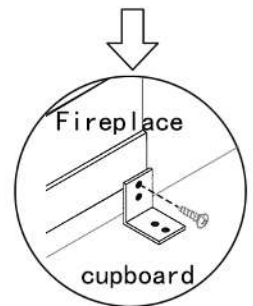
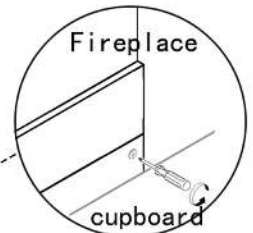
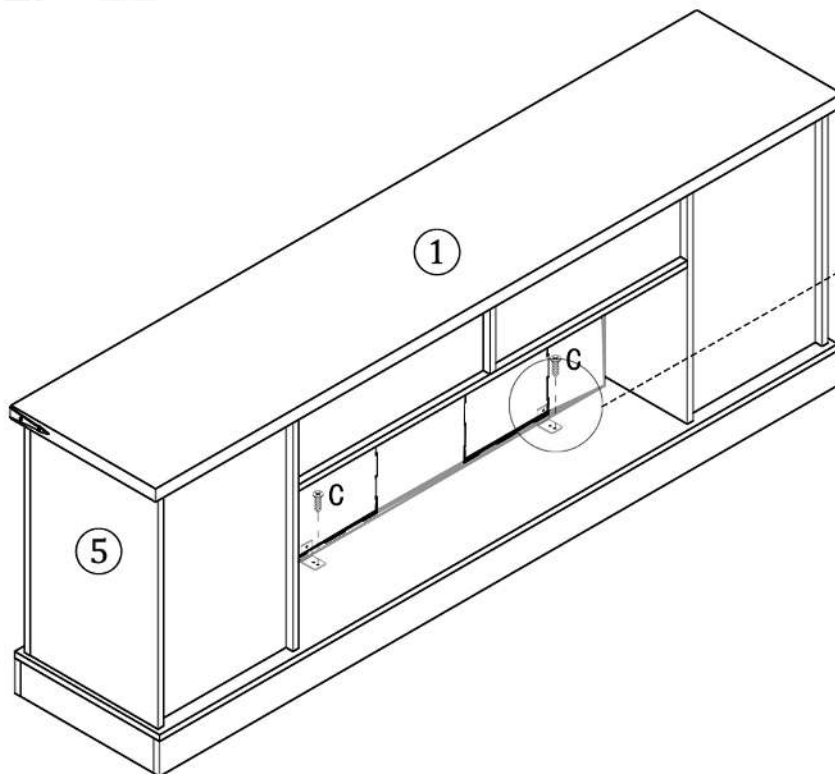


STEP 21



B*4

STEP 22

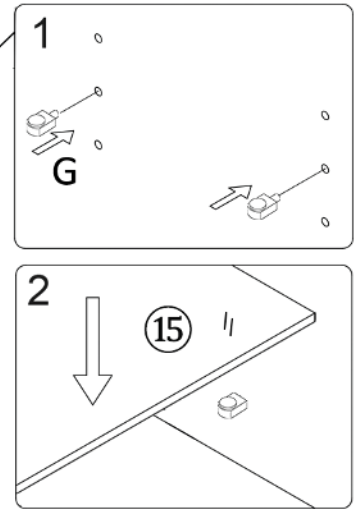
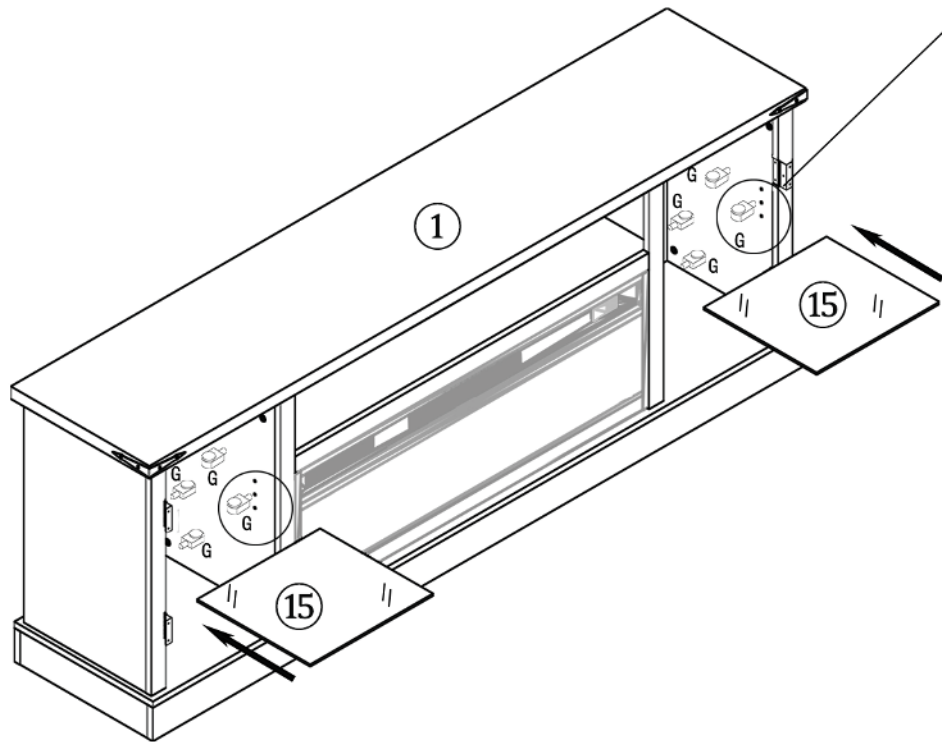


1. Unscrew the screw first
2. Tighten the screws on the fireplace
3. Secure cabinets and fireplaces with accessory C

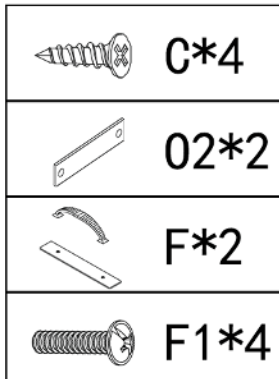
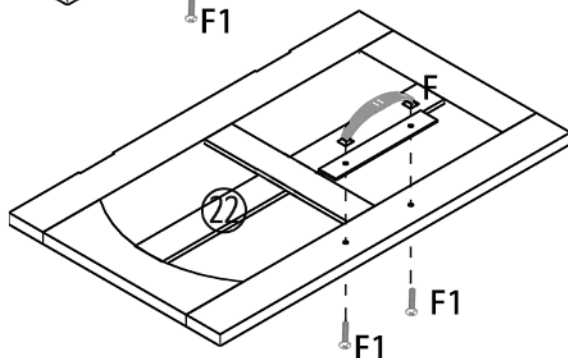
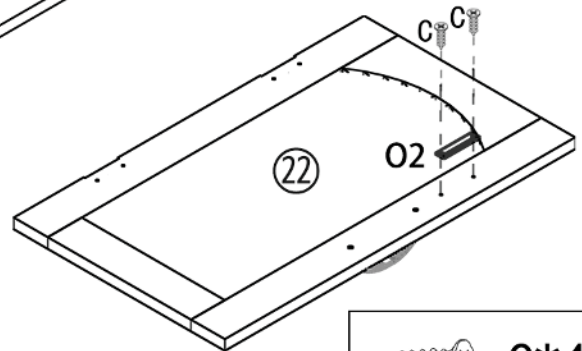
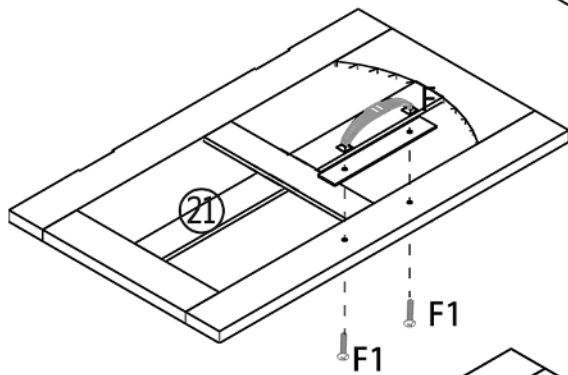
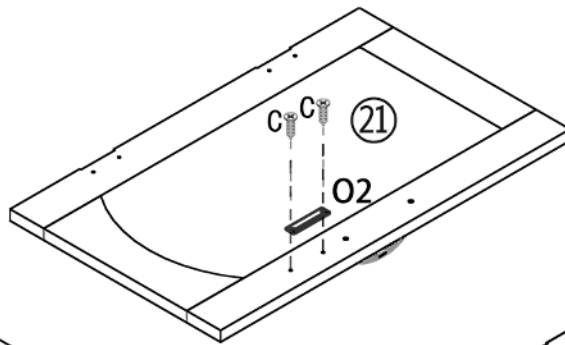
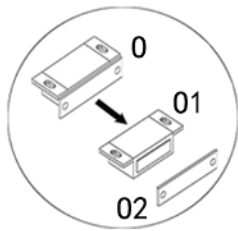


C*2

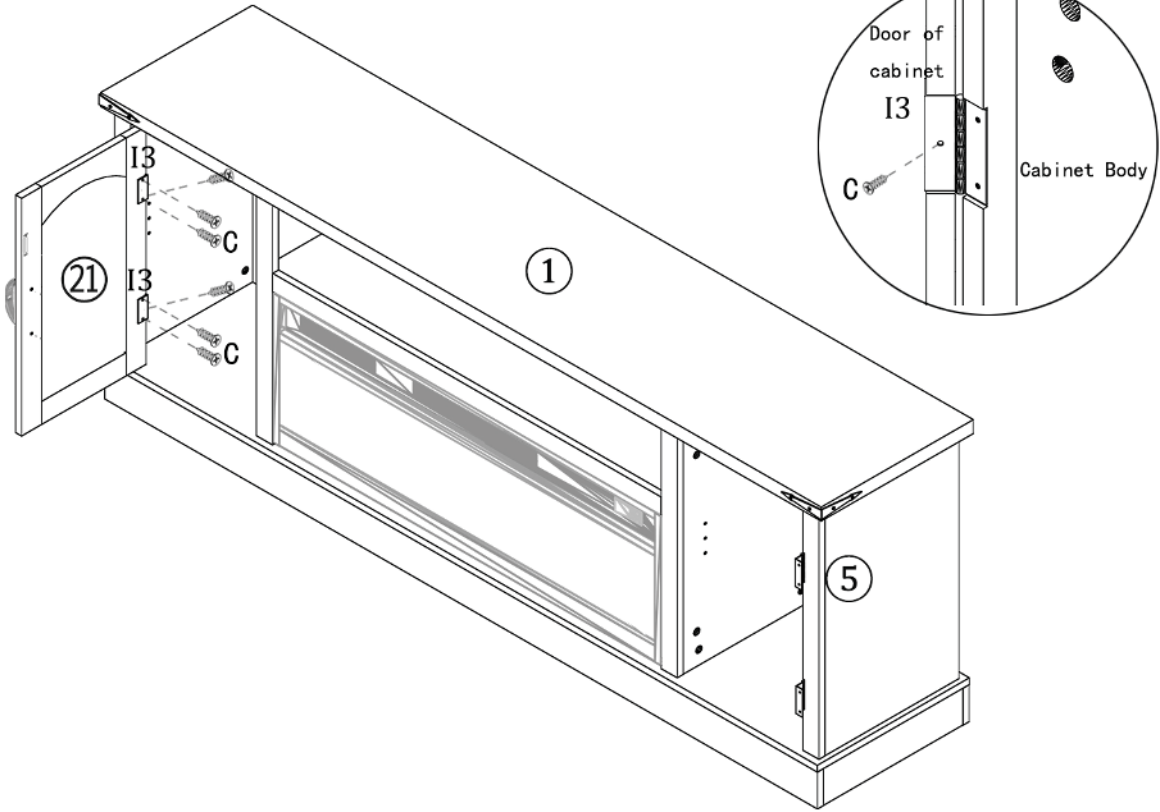
STEP 23



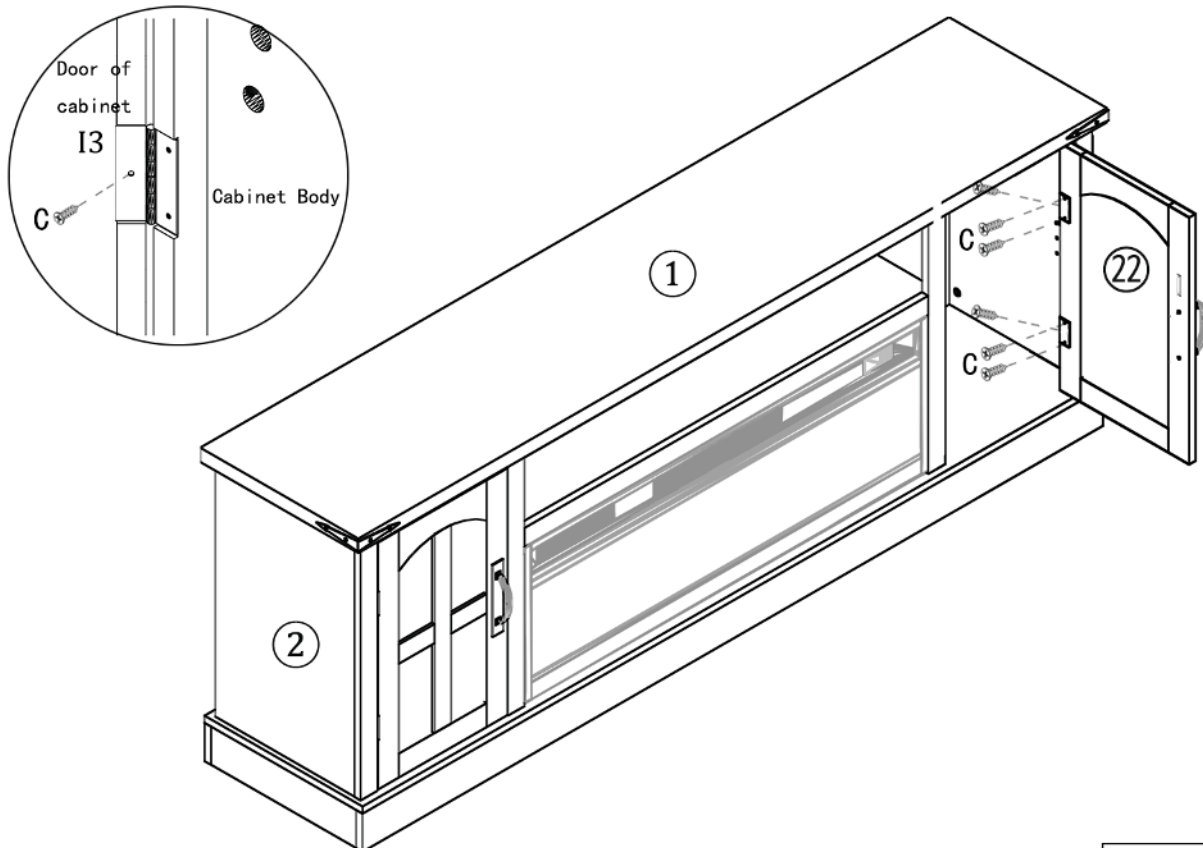
STEP 24



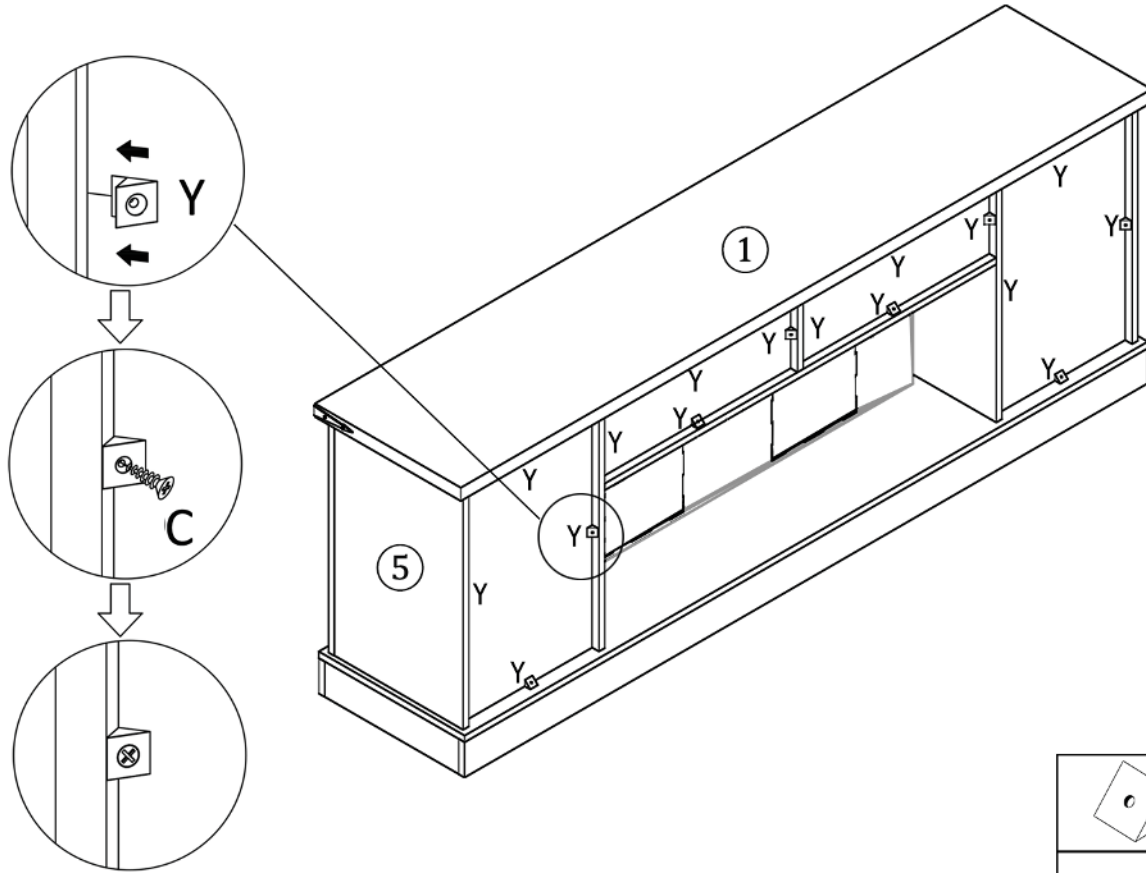
STEP 25



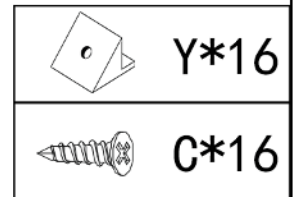
STEP 26



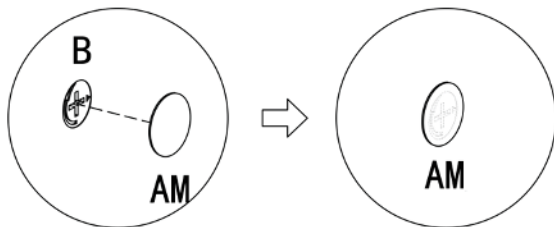
STEP 27



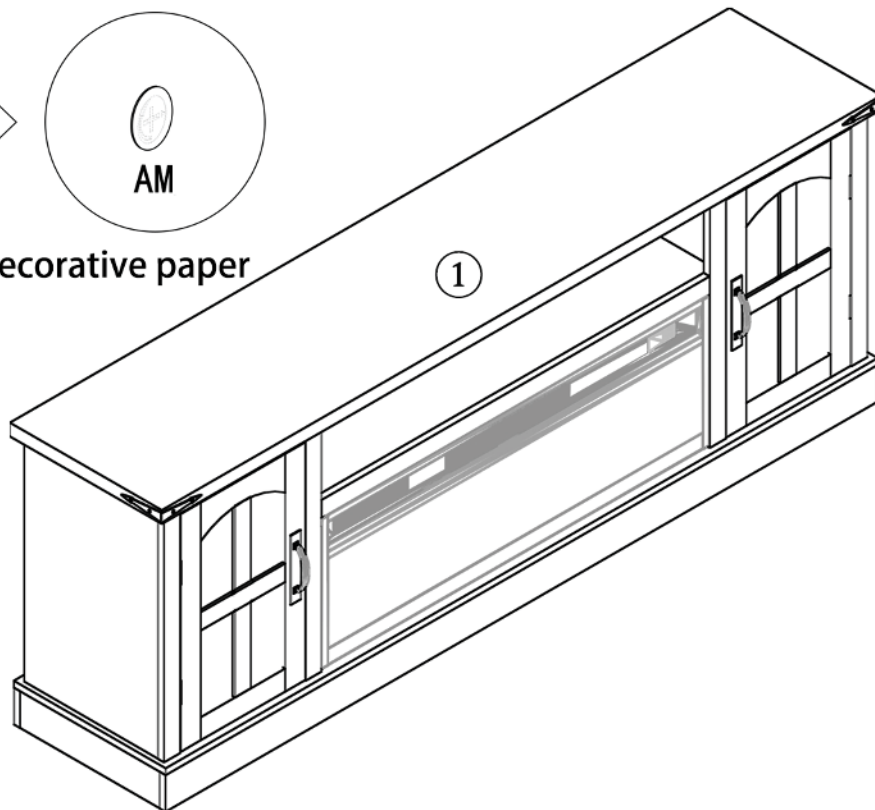
Use tools to install if necessary



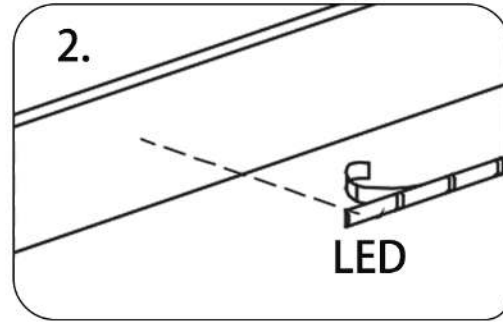
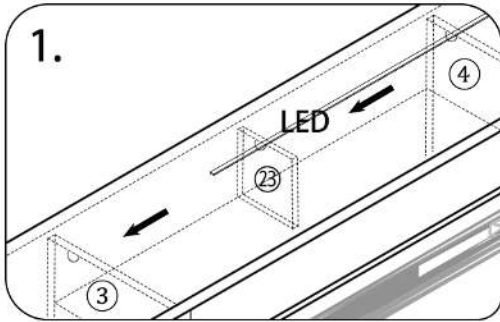
STEP 28



Please stick the decorative paper on the hole



STEP 29



1. Please thread the LED light strip through the wire passing holes on board No. 3, board No. 23 and board No. 4.
2. Stick the light strip.

