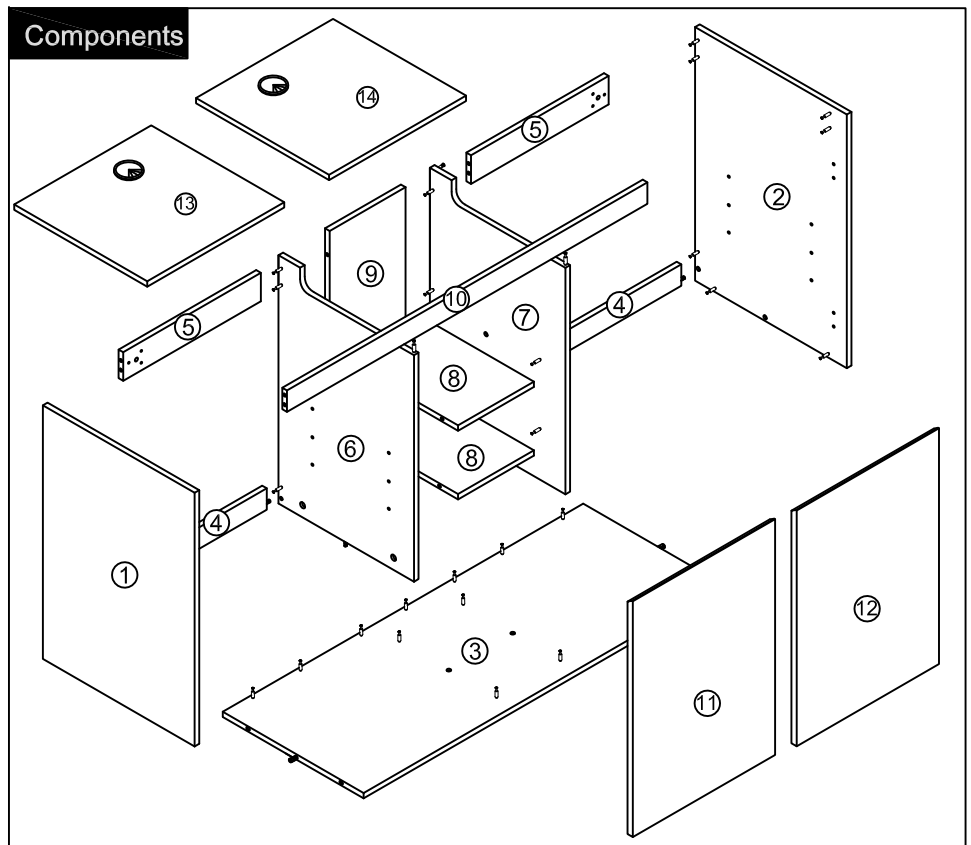
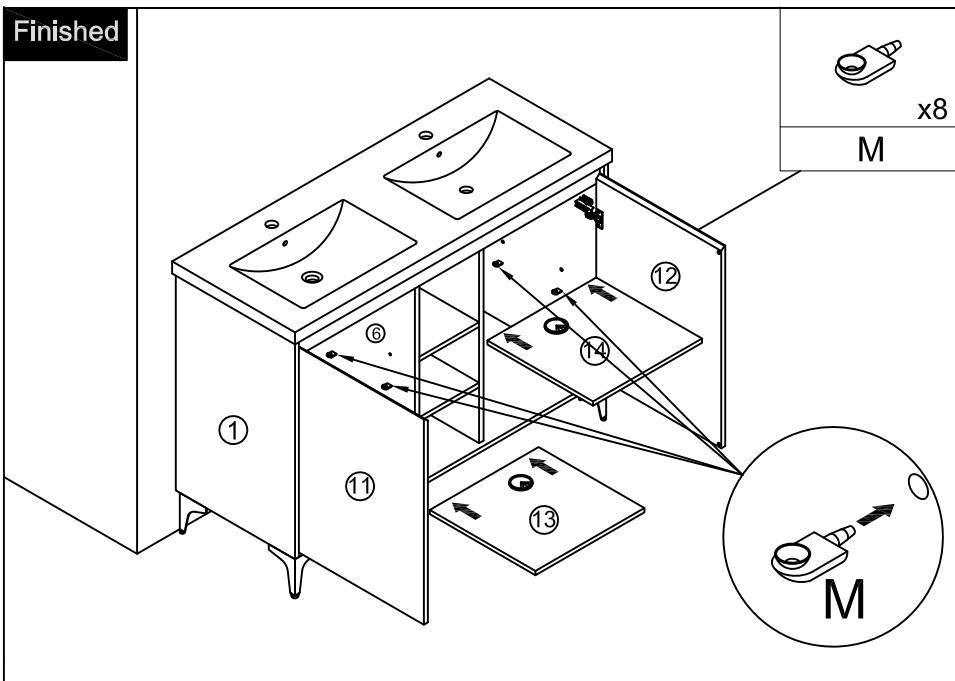
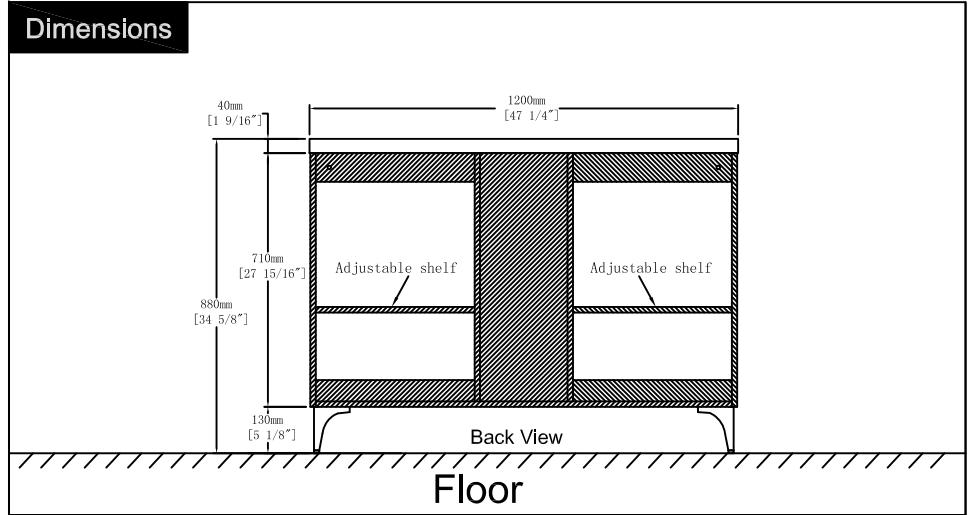
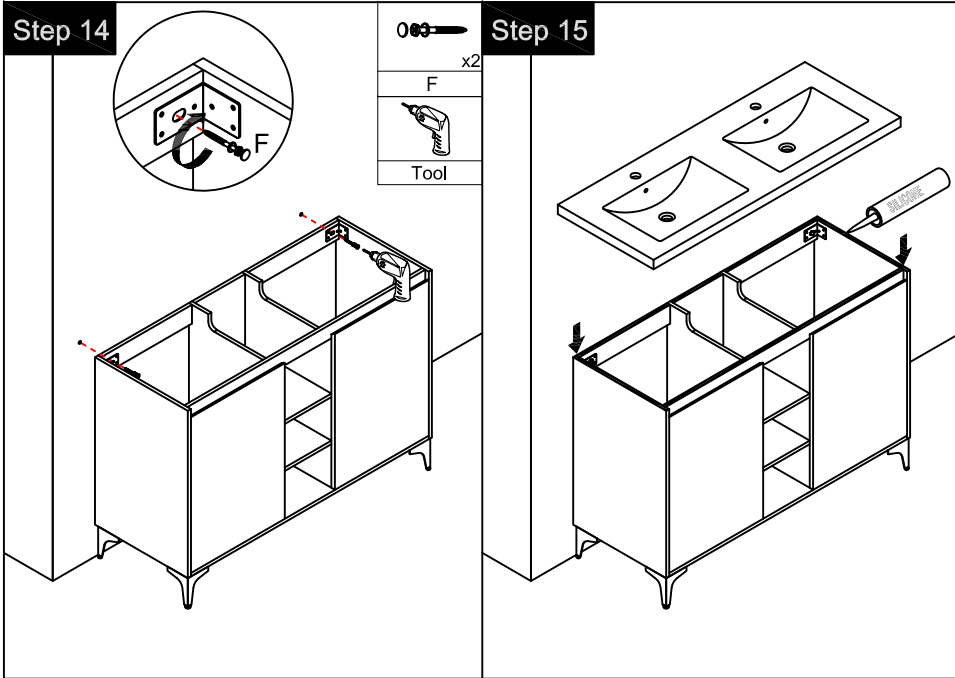


Thank you for shopping with us!

We encourage you to take a few minutes to go through this booklet. It contains important information on installation and care tips to keep your furniture looking as good as new.



Step 1

	x3
B	
	x3
C	
	x1
N	

Attention: Cam lock arrow point to the steel rod.

Notes: Screw installation depth as shown

Step 2

Note: The D parts are used for these two holes

	x4
B	
	x4
C	
	x2
D	
	x1
N	

first step second step third step

Step 11

	x4
I	
($\varnothing 4 \times 14\text{mm}$)	
	x24
A	
	x4
L	
	Tool

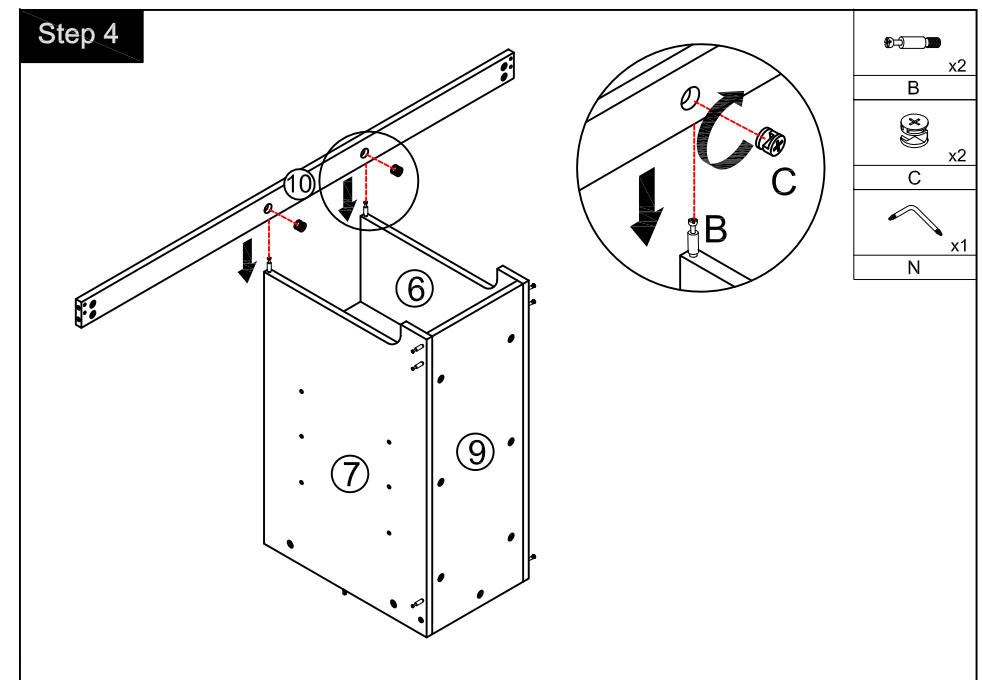
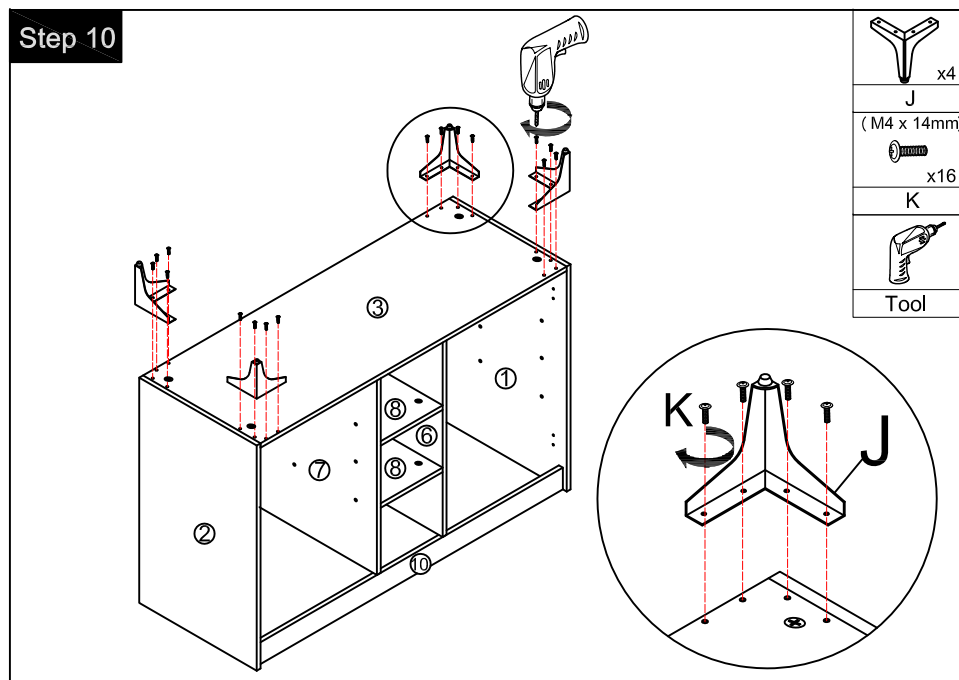
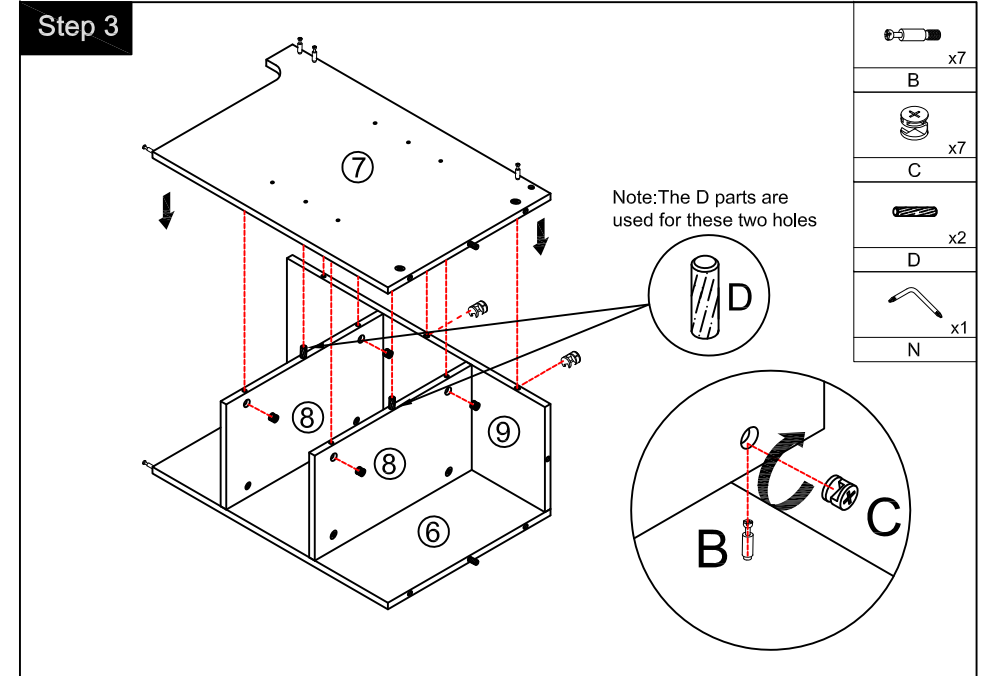
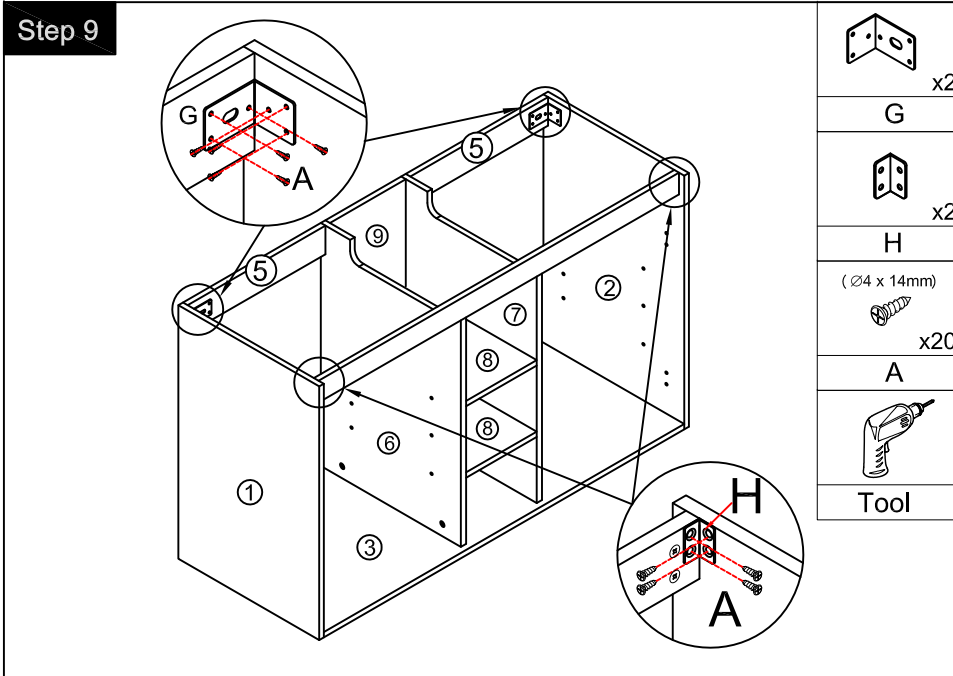
You can adjust the doors by tightening or loosening the screws on the hinge.

Step 12

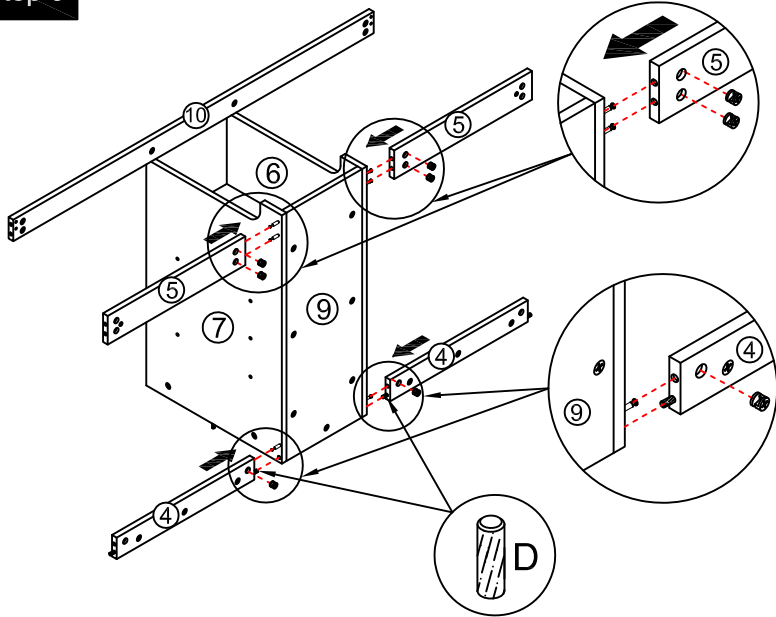
$\varnothing 10$

Step 13

Tool



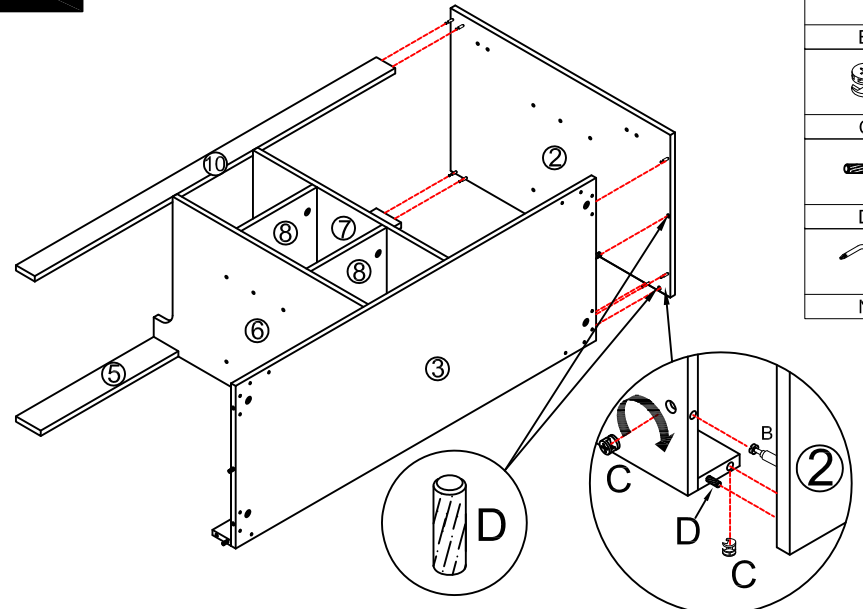
Step 5



	x6
	B
	x6
	x2
	x1

Note: The D parts are used for these two holes

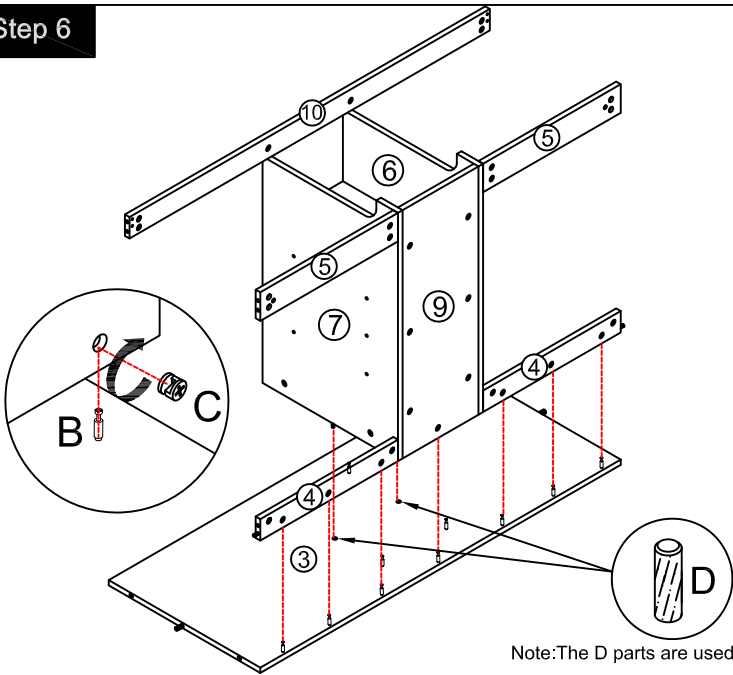
Step 7



	x7
	B
	x7
	x2
	x1

Note: The D parts are used for these two holes

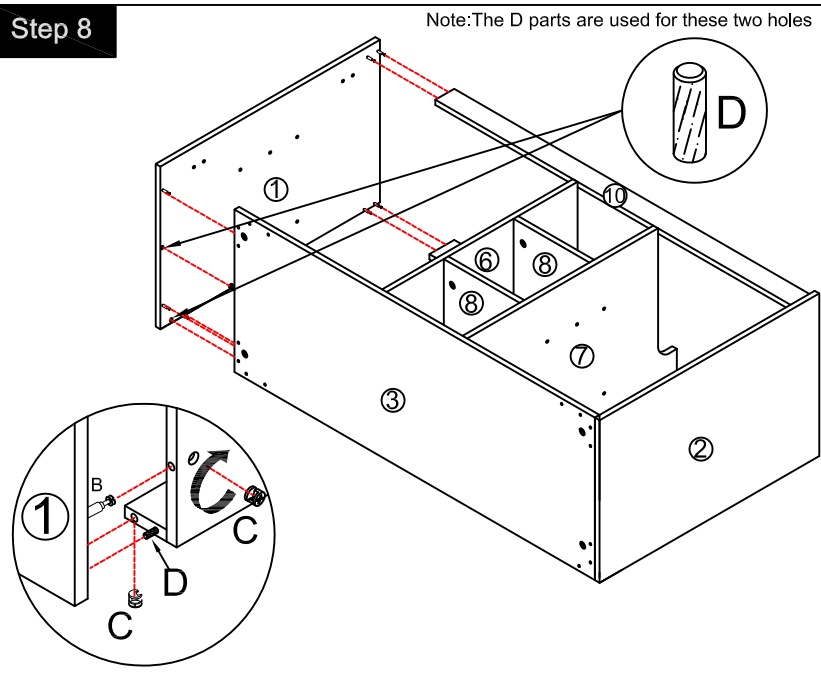
Step 6



	x11
	B
	x11
	x2
	x1

Note: The D parts are used for these two holes

Step 8



Note: The D parts are used for these two holes

	x7
	B
	x7
	x2
	x1