

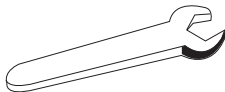

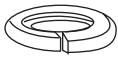
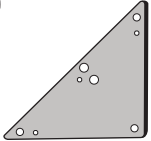

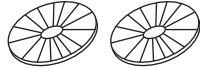


Assembly Instructions
Seri Bed
Queen Size

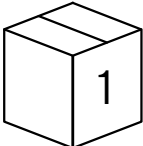
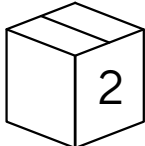
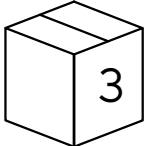


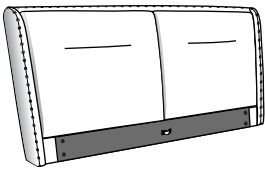
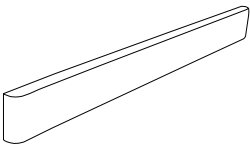
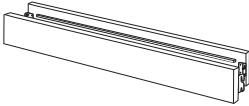

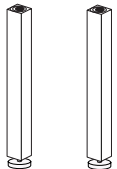
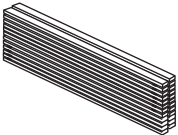
Assembly Items

<p>A</p>  <p>M4 Allen Key x 1pc</p>	<p>B</p>  <p>M5 Allen Key x 1pc</p>	<p>C</p>  <p>M13 Spanner x 1pc</p>	<p>D</p>  <p>M8 Nut x 2pcs</p>
<p>E</p>  <p>M8 Spring Washer x 2pcs</p>	<p>F</p>  <p>Triangle Bracket x 2pcs</p>	<p>G</p>  <p>Legs x 4pcs</p>	<p>H</p>  <p>Plastic Washer x 4pcs</p>

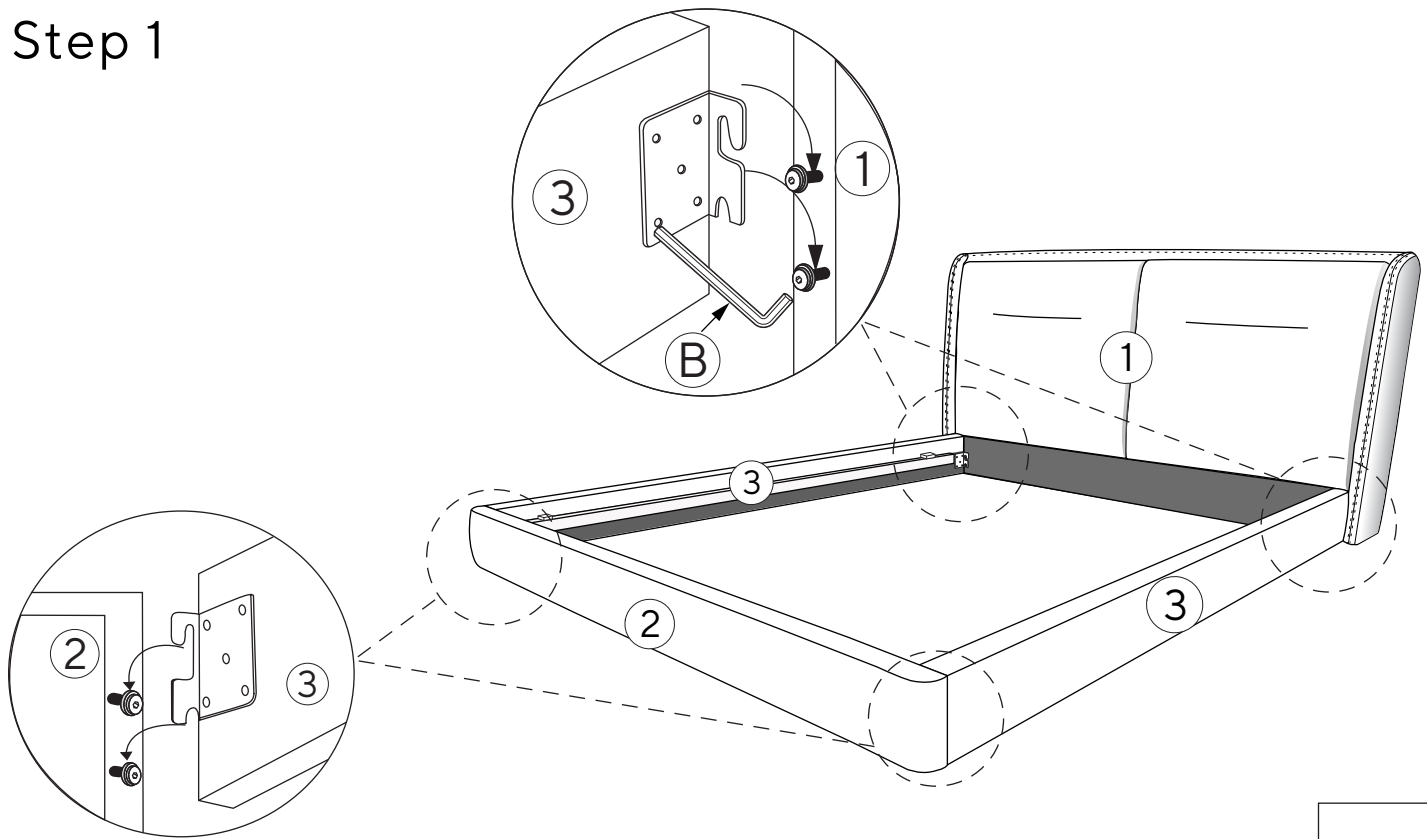
Parts List

Numbered parts can be found in the following numbered boxes

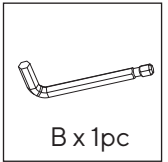
 <p>1</p>	 <p>Assembly items pack</p> <p>2 3 4 5</p>	 <p>3</p> <p>6</p>
--	---	---

<p>1</p>  <p>Headboard x 1pc</p>	<p>2</p>  <p>Footboard x 1pc</p>	<p>3</p>  <p>Side Rails x 2pcs</p>	<p>4</p>  <p>Center Rail x 1pc</p>
<p>5</p>  <p>Support Legs x 2pcs</p>	<p>6</p>  <p>Slats x 1 set</p>		

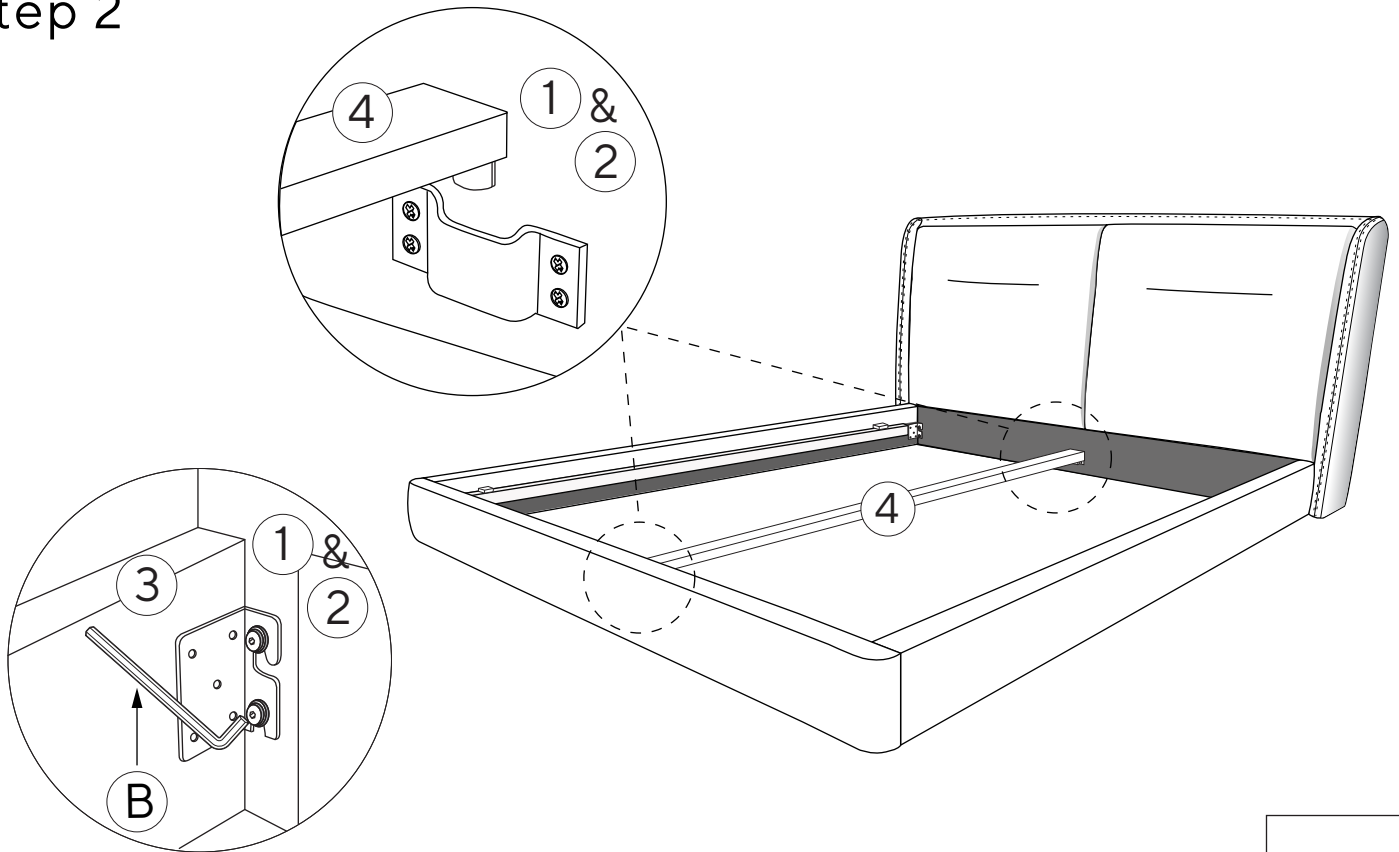
Step 1



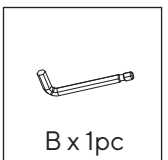
*Loosely secure parts until you have installed the Center rail (4) on next step



Step 2

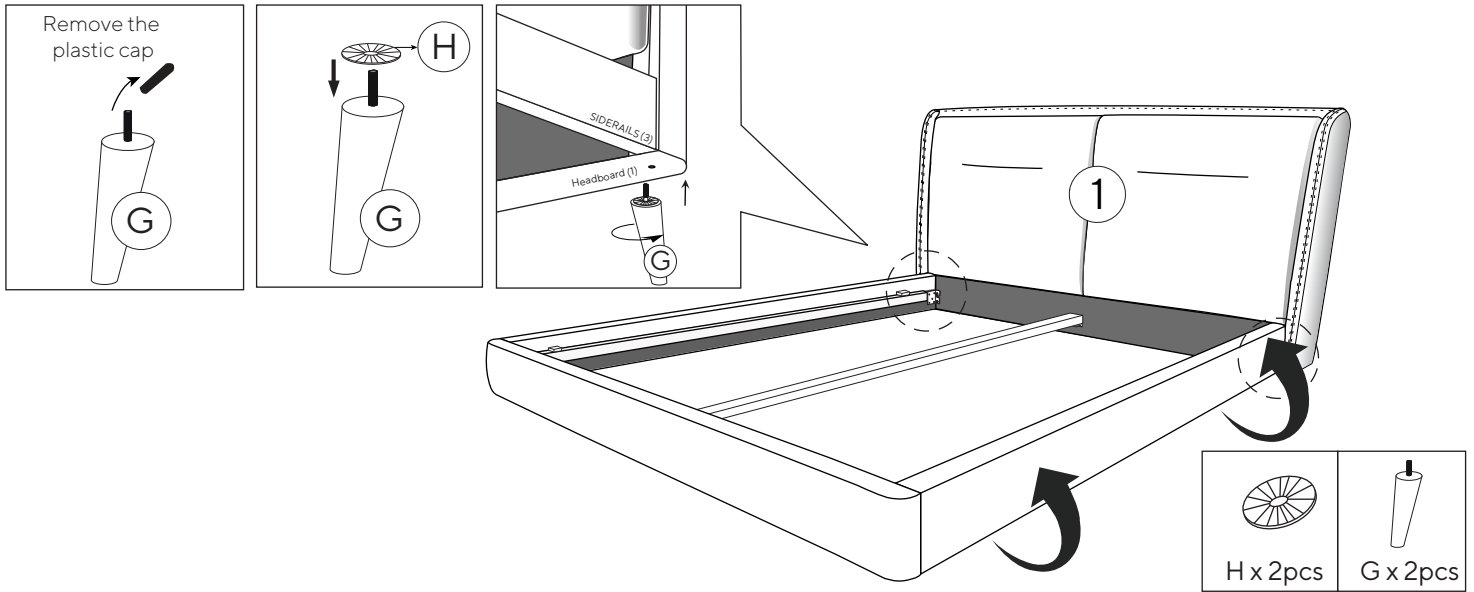


*Tighten all bolts

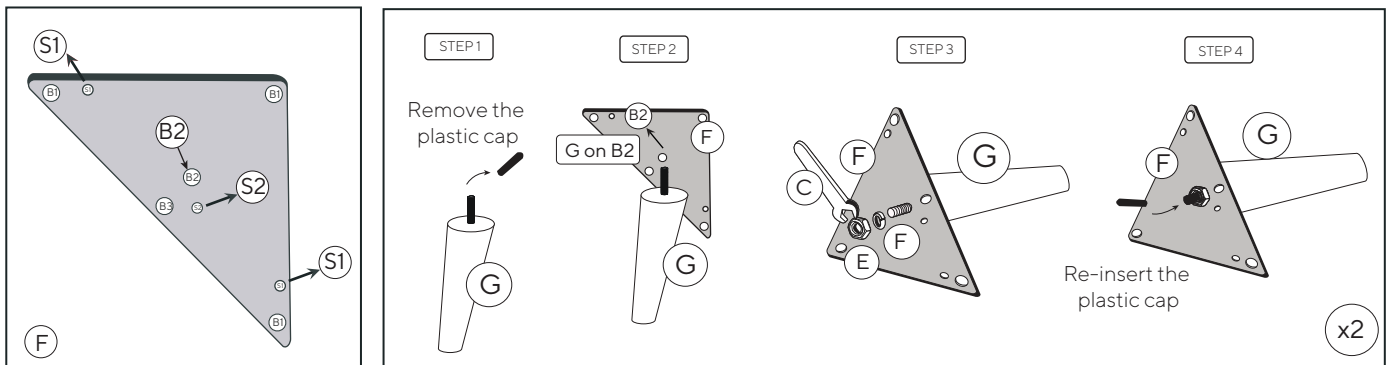


Step 3

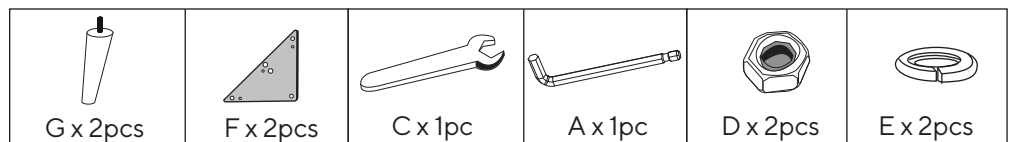
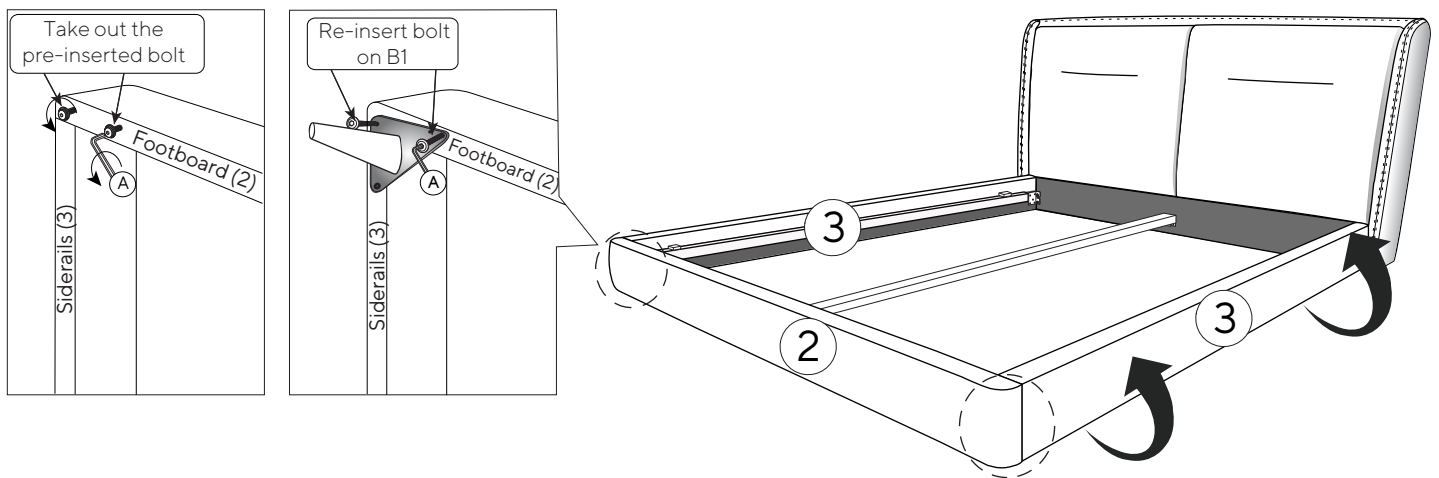
Headboard



Step 4

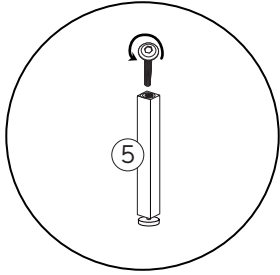


Footboard (2)/Siderails (3)

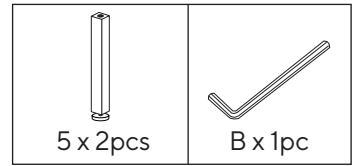
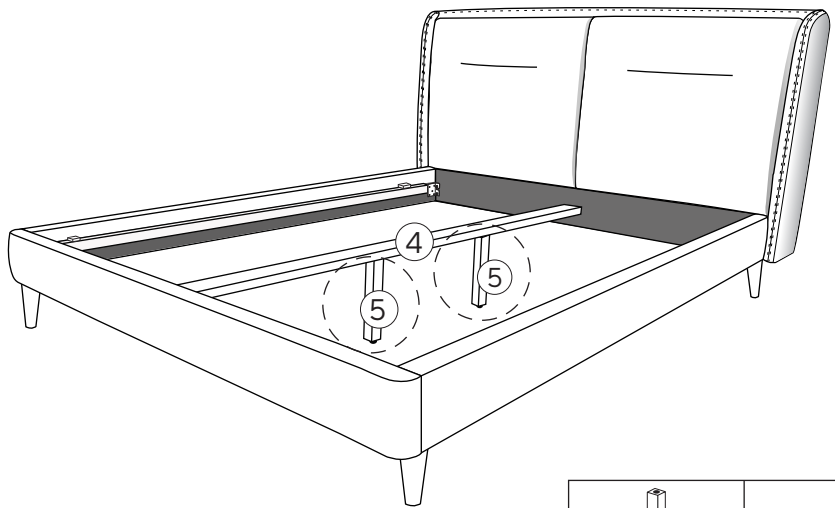
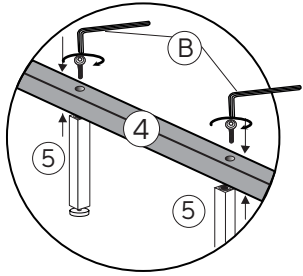


Step 5

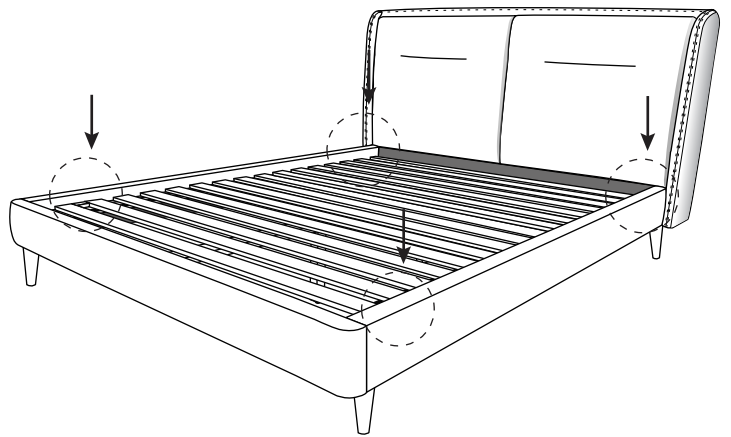
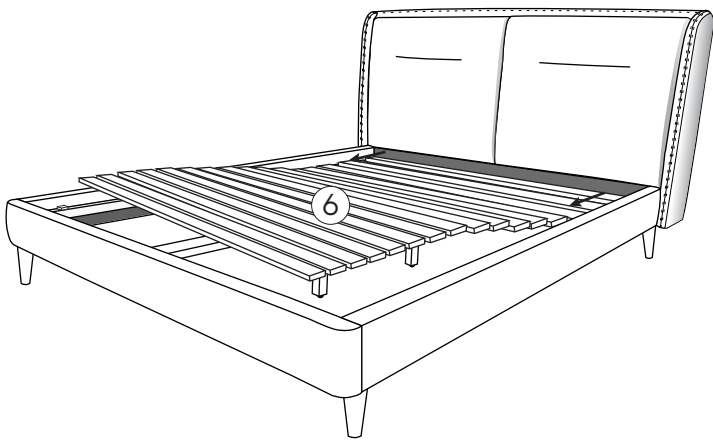
Take-out
Pre-inserted Bolt



Re-insert the Pre-inserted Bolt
passes through Center Rail



Step 6



Your bed is ready.

