

ONE PIECE / TWO-PIECE TOILET INSTALLATION INSTRUCTION

1. Installation Notes

Please read this manual carefully before installation.



The instructions contain installation, maintenance and service information.

This manual is intended for use by end users

The shape of the parts in the manual is for reference only, please refer to the actual product.

2. Packing List

ONE PIECE TOILET	TWO-PIECE TOILET
<p>Water tank accessories: 1 set Cover mounting kit: 2 sets Cover: 1 set Toilet : 1 set Wax seal: 1 piece</p>	<p>① Water tank accessories : 1 set ② Tank cover: 1 ③ Water tank: 1 ④ Cover: 1 set ⑤ Water tank installation rubber pad: 1 ⑥ Water tank locking kit: 2 sets ⑦ Cover locking assembly: 2 sets ⑧ Toilet: 1 ⑨ Wax seal: 1 piece</p>

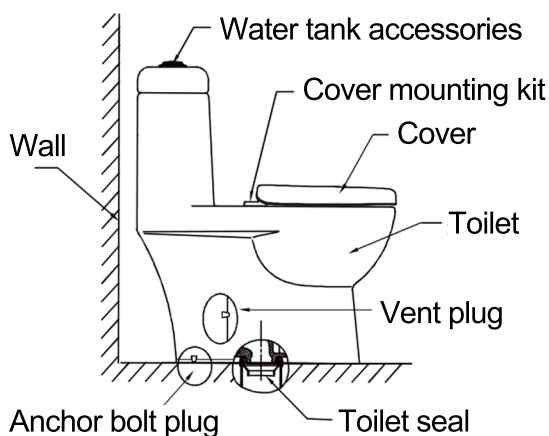


Tools Needed:

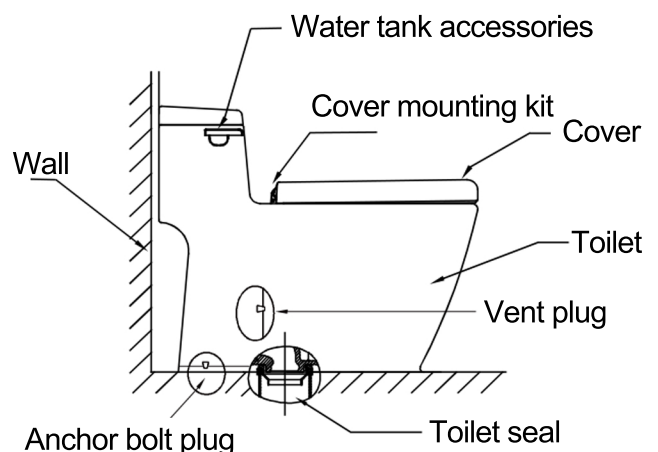
adjustable wrench, levelling instrument, tape measure, Phillips screwdriver, flat-blade screwdriver

Accessories Needed:

water inlet pipe, angle valve

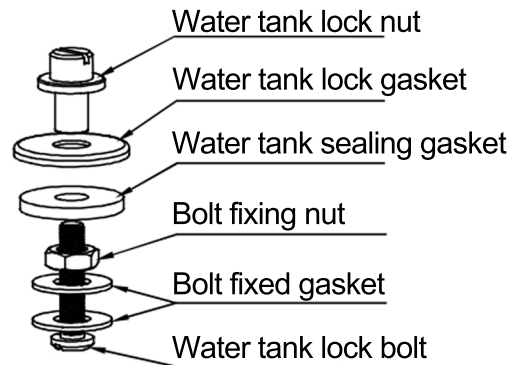
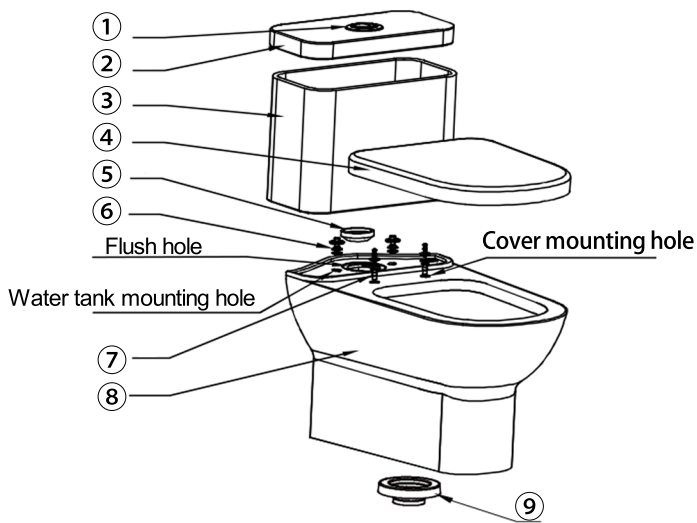


Top press toilet



Side pull toilet

ONE PIECE / TWO-PIECE TOILET INSTALLATION INSTRUCTION



Water tank accessories

3. Accessories installation

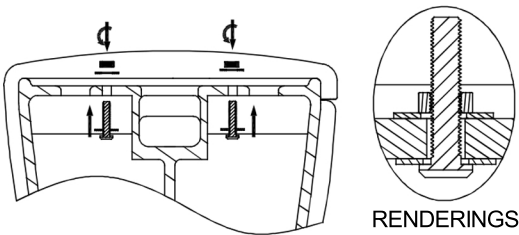


The accessories of the water tank have been installed at the factory.
Please do not adjust the accessories inside.
If you adjust it, the flushing effect may not be good.

I > Install the cover on the toilet according to the cover installation instructions in the cover box.

II > Installation of water tank.

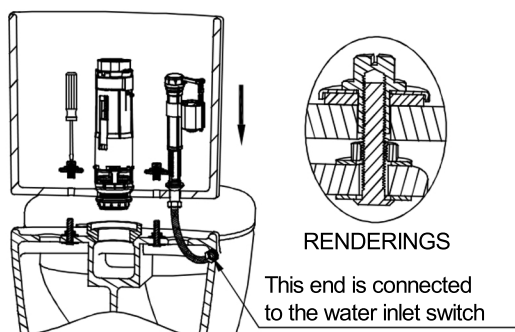
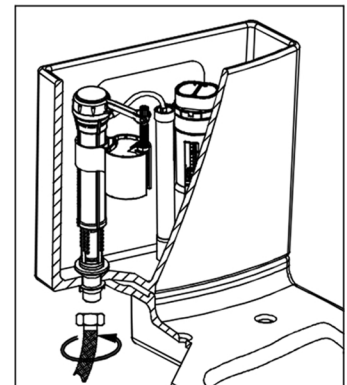
*The installation of the water tank is limited to the split toilet.



RENDERINGS

Insert the bolt fixing gasket into the water tank locking bolt, then insert the water tank locking bolt into the water tank mounting hole on the toilet, then insert a bolt fixing gasket, and tighten the bolt fixing nut with a wrench to make the water tank locking bolt Fixed.

Thread the inlet pipe nut into the inlet valve nipple.
(Note: Do not use excessive force, otherwise it may damage the water inlet valve joint and cause water leakage.)



RENDERINGS

Attach the installation rubber pad to the drain outlet of the water tank, press the water tank tightly to seal the water tank with the toilet flush outlet, and screw the water tank lock nut with the water tank lock washer and the water tank sealing washer into the water tank lock bolt. Adjust the tank and tighten the tank lock nut.

ONE PIECE / TWO-PIECE TOILET INSTALLATION INSTRUCTION

4.Toilet installation

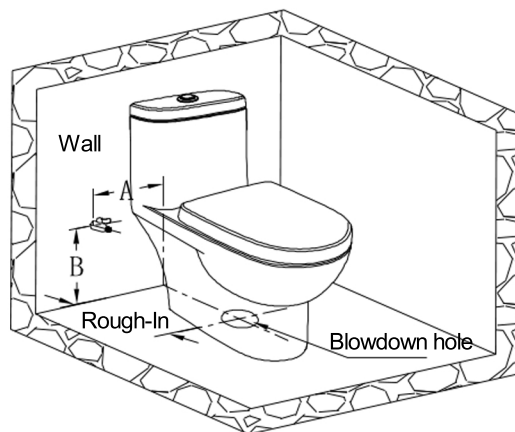
I> Determination of installation location

When installing the toilet, please remove the water tank cover to prevent the water tank cover from falling and damage.

Pit distance: refers to the distance from the finished wall to the center of the drain hole on the ground

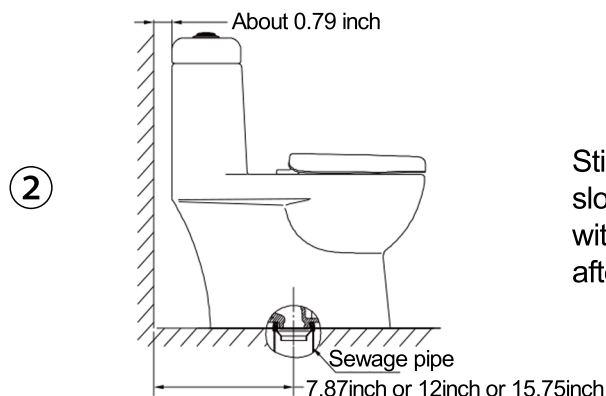
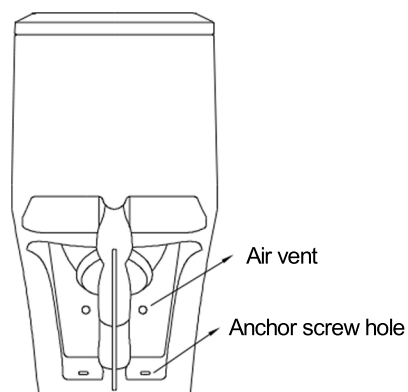
A: It refers to the distance from the water supply switch to the center line of the ground drain hole, which is about 7.78 inch ~ 9.84 inch.

B: refers to the distance from the water inlet switch to the ground, about 4.53 inch.



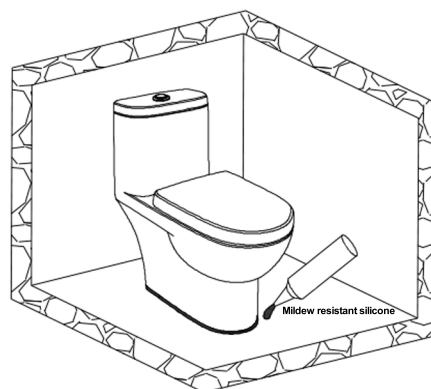
II>Installation

- 1 Insert the vent plug and anchor bolt plug into the vent hole and anchor bolt hole respectively on. (This part is limited to floor mounted toilet with air vent and anchor bolt hole)



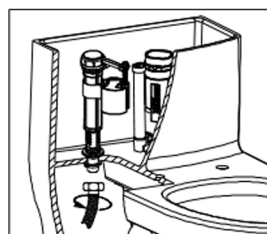
Stick the toilet sealing ring (wax seal) to the drain hole outlet toilet slowly move the toilet, so that the drain outlet of the toilet is aligned with the drain pipe on the ground, and the toilet should not shake after pressing.

- 2
- 3 Apply anti mildew silicone evenly around the bottom of the toilet to make it more stable. (Please note that it is prohibited to use any cement for installation and epoxy resin adhesive for installation.)



5.Connection of water supply switch

Screw the nut of the water pipe into the threaded joint of the water valve, (Note: Do not use too much force, otherwise it may damage the water valve joint and cause water leakage.) Then slowly turn on the water supply switch.



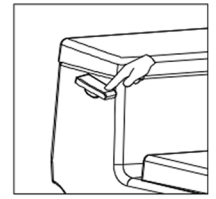
Turn on the water supply switch

ONE PIECE / TWO-PIECE TOILET INSTALLATION INSTRUCTION

6.Toilet flushing test

Press the button (wrench) switch to flush the toilet

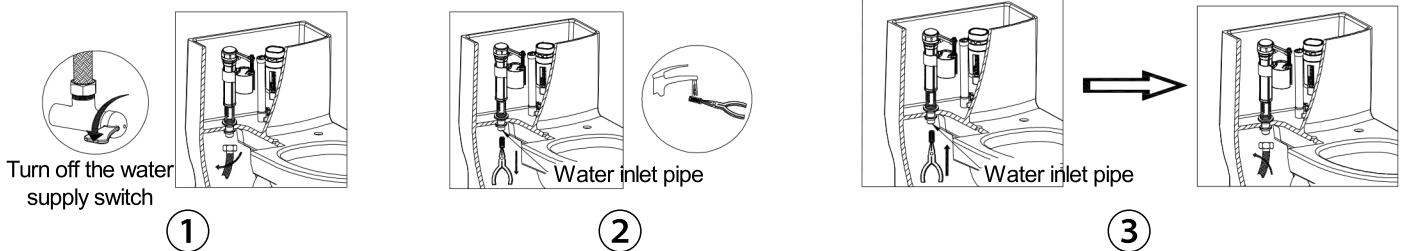
If there is no flushing, please confirm whether the water supply switch is turned on.



7.Maintenance of accessories

I> Maintenance of water inlet valve

Because of the water quality problem, the water inlet valve may enter slowly or cannot enter after being used for a period of time. Please clean the filter screen in the inlet valve regularly according to the following methods.



- ① Close the water supply switch and screw the water supply pipe nut out of the water inlet valve connector.
- ② Remove the filter screen from the water inlet pipe and clean the filter screen with water.
- ③ Insert the filter into the water inlet pipe of the water inlet valve, then tighten the water supply pipe nut, and then turn on the water supply switch.

II> Maintenance of button (wrench)

During use, the button (wrench) shall not contact with hard objects to avoid scratching the surface of the button (wrench).

When there are water drops on the button (wrench), please use a soft cloth to gently dry it.

III> Maintenance of cover plate

Do not use too much force to prevent the cover from being damaged.

Do not stand on the cover plate to prevent it from cracking and hurting people.

When removing stains, gently wipe with a soft damp cloth.

After washing with a neutral detergent (such as soap powder), dry it with a clean cloth.

Instructions for using the toilet

1. If the water quality in the place where you live is hard, please keep the flushing hole clean to ensure that the toilet flushes normally. It is recommended to clean it with detergent once a week, use a long-handled brush to clean the flushing hole, and try to extend into the sewage pipe for washing to prevent the accumulation of minerals. Most toilet cleaners will not damage the ceramic glaze on the toilet surface, but please follow the toilet cleaner manufacturer's instructions.
2. Please do not throw plastic bags, rags, leftovers and other objects that may cause pipe blockage into the toilet to prevent the flush pipe from being blocked.

⚠ Warning

- 1.The cleaning agent used in ceramics shall comply with the national standards.
- 2.Do not use detergents in the tank: detergents containing chlorine (calcium hypochlorite) can severely damage the equipment in the tank, causing leakage or causing damage to the structure of the house.
- 3.Information is based on all latest product conditions at the time of printing, and the company reserves the right to change product features, packaging or availability at any time without notice.
- 4.This toilet is forbidden to use any cement installation, and our company is not responsible for any rupture of the toilet caused by cement installation.
- 5.The water tank accessories have been installed at the factory. Please do not adjust the accessories inside without authorization. All adverse consequences caused by adjusting the accessories inside are borne by the customer.
- 6.Water supply pressure requirements of the water inlet pipe: 0.05MPa~0.8MPa.