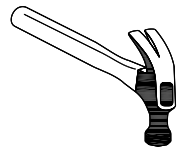
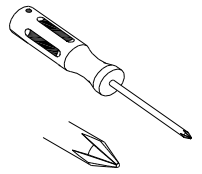
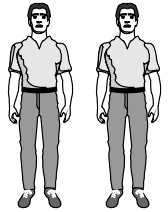


ASSEMBLY INSTRUCTIONS

SIX DRAWER CHEST



02:00 Hs



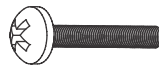
HARDWARE INCLUDED



A - 8,0x30
Qty. 82
SPARE +2



B - 4,0x30
Qty. 101
SPARE +2



C - M4x22
Qty. 12
SPARE +1



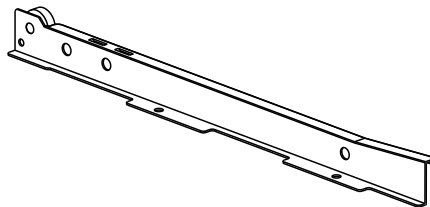
D - 4,0x14
Qty. 24
SPARE +2



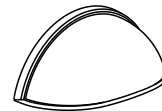
E - 3,5x16
Qty. 24
SPARE +2



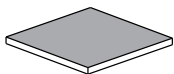
F - Slide Left 330mm
Qty. 06



G - Slide Right 330mm
Qty. 06



H - Drawer Knob
Qty. 06



I - 25x25 Sticker Ribbon
Qty. 06

Anti-Tip Kit



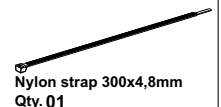
4,0x30 Screw
Qty. 02



3,5x14 Screw
Qty. 02



Plastic wall bracket
Qty. 02

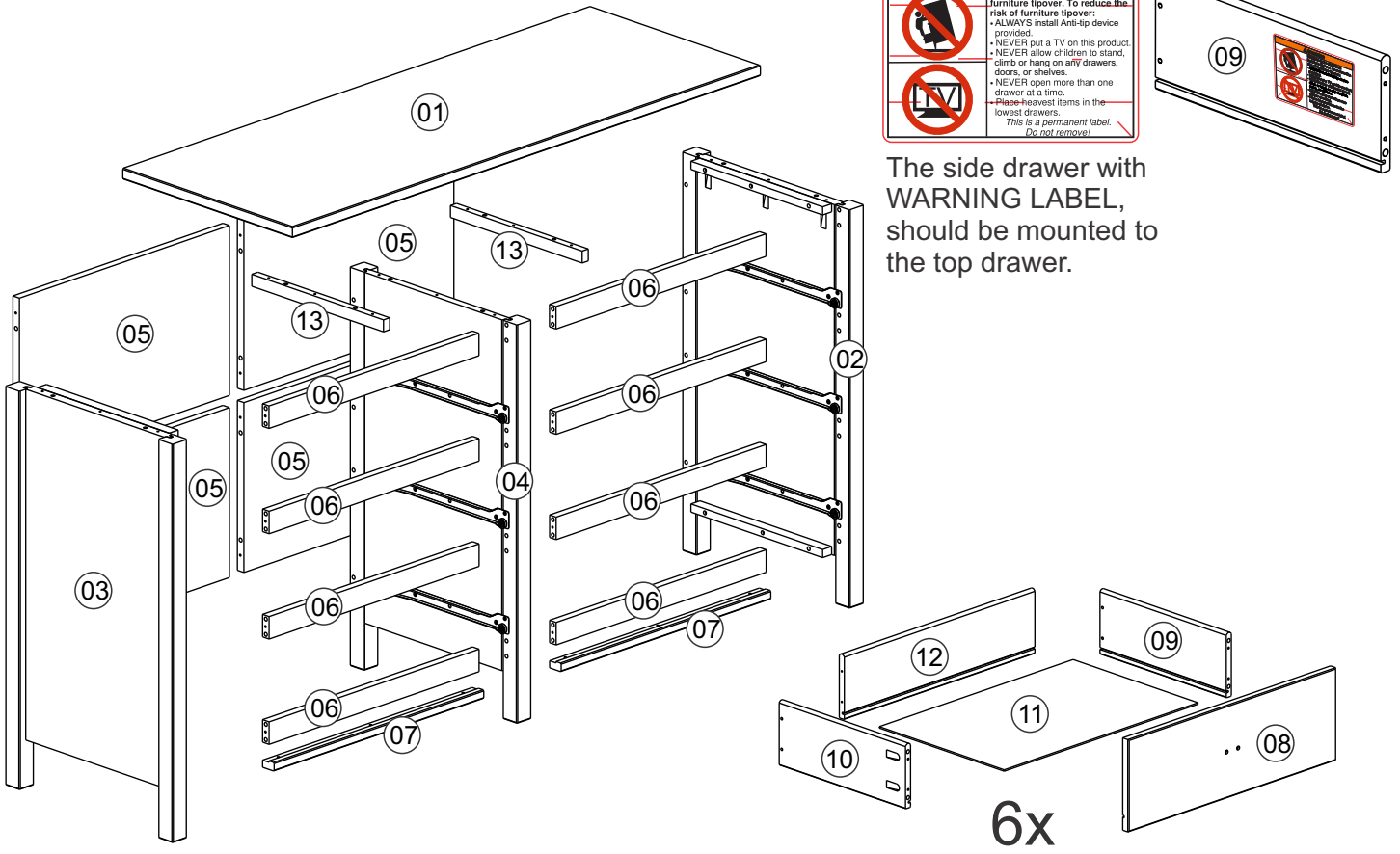


Nylon strap 300x4,8mm
Qty. 01

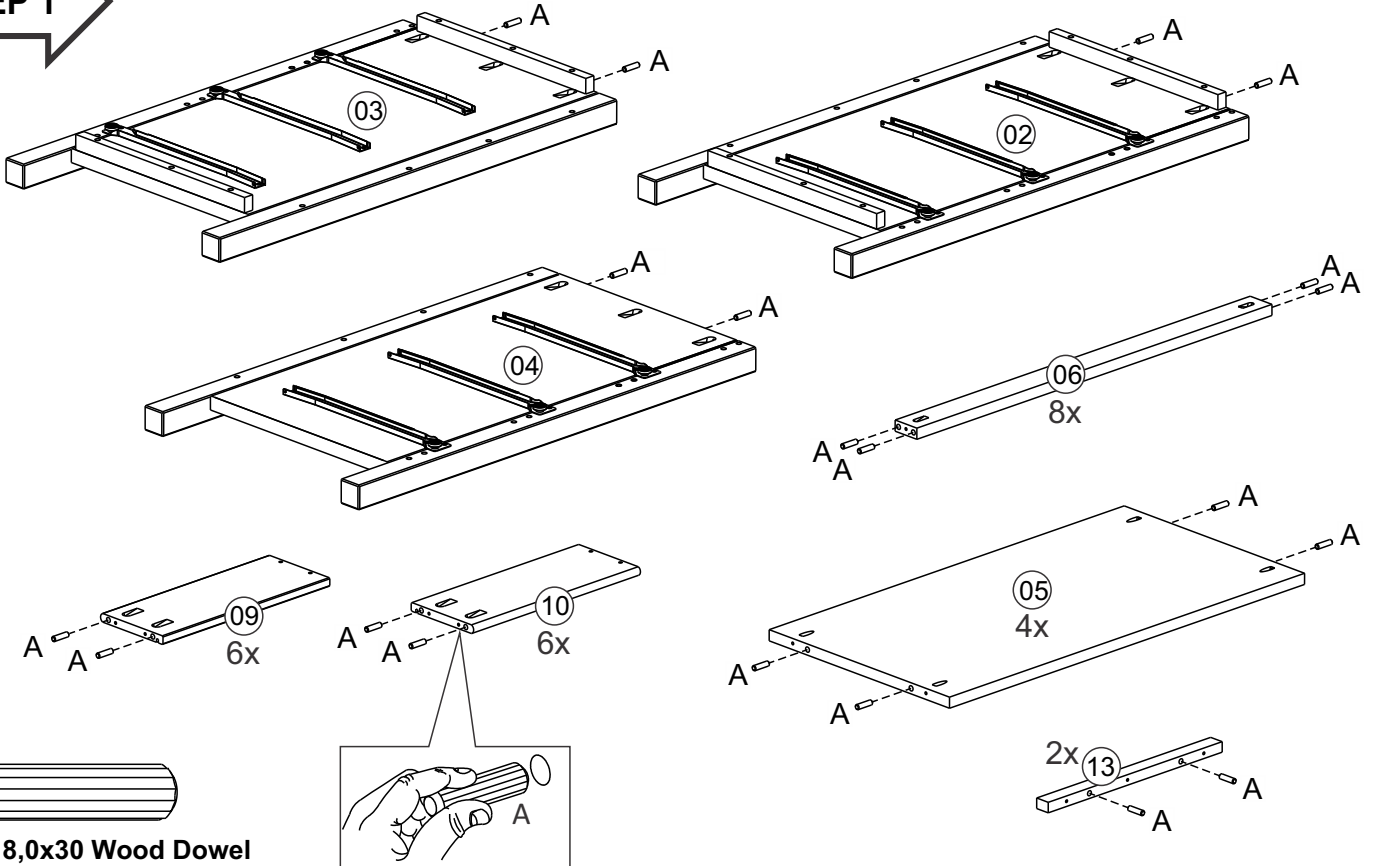


Plastic screw anchor 6mm
Qty. 02

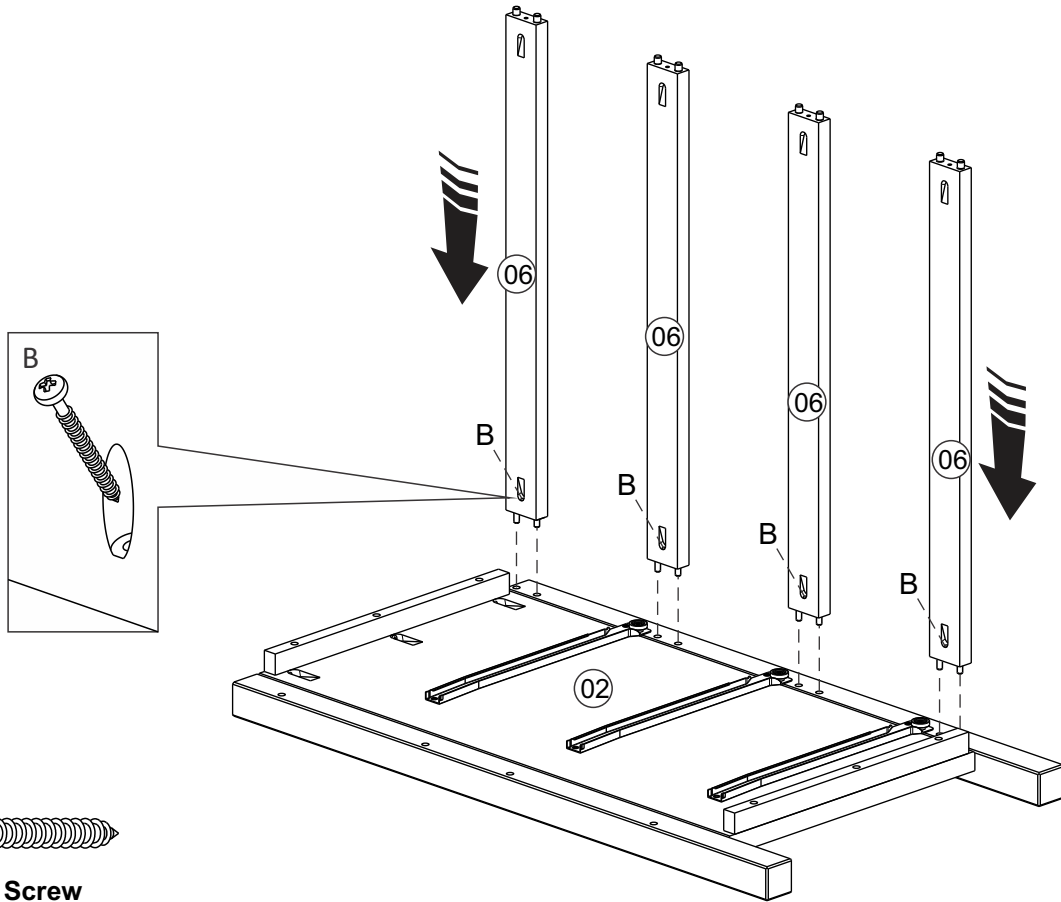
PARTS INCLUDED



STEP 1

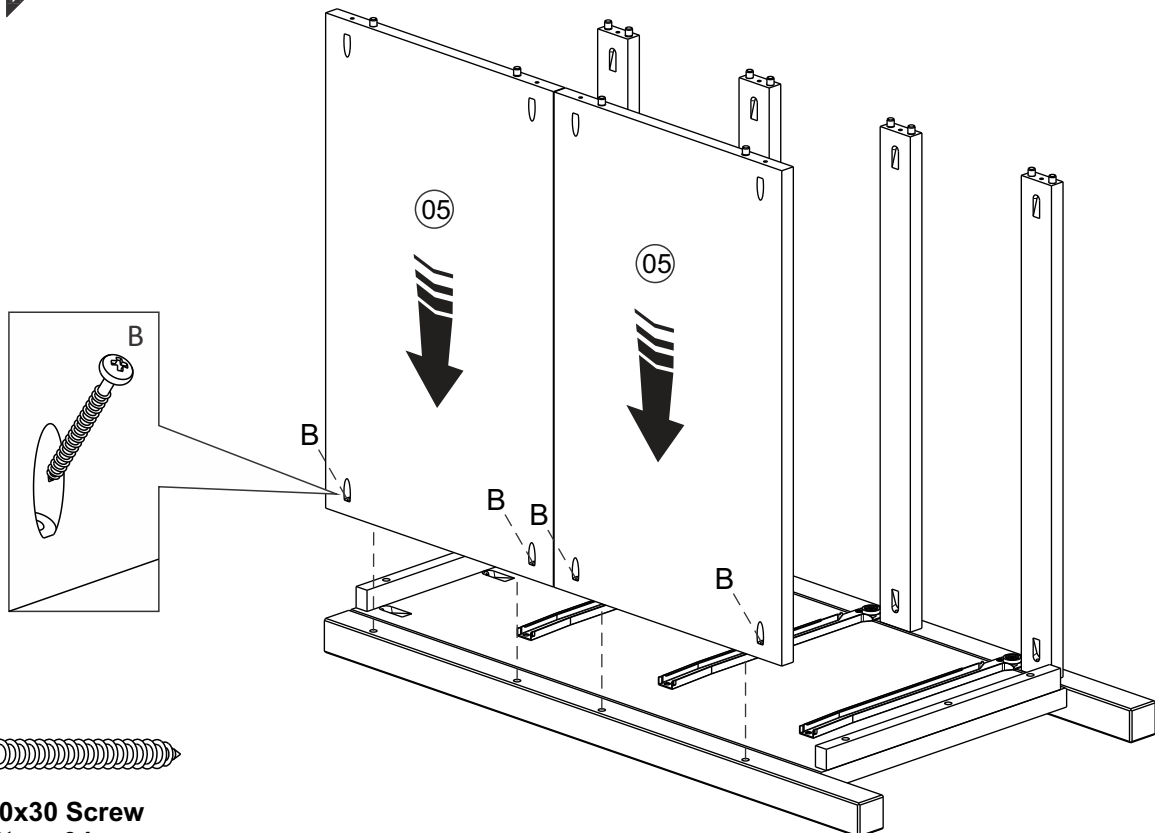


STEP 2



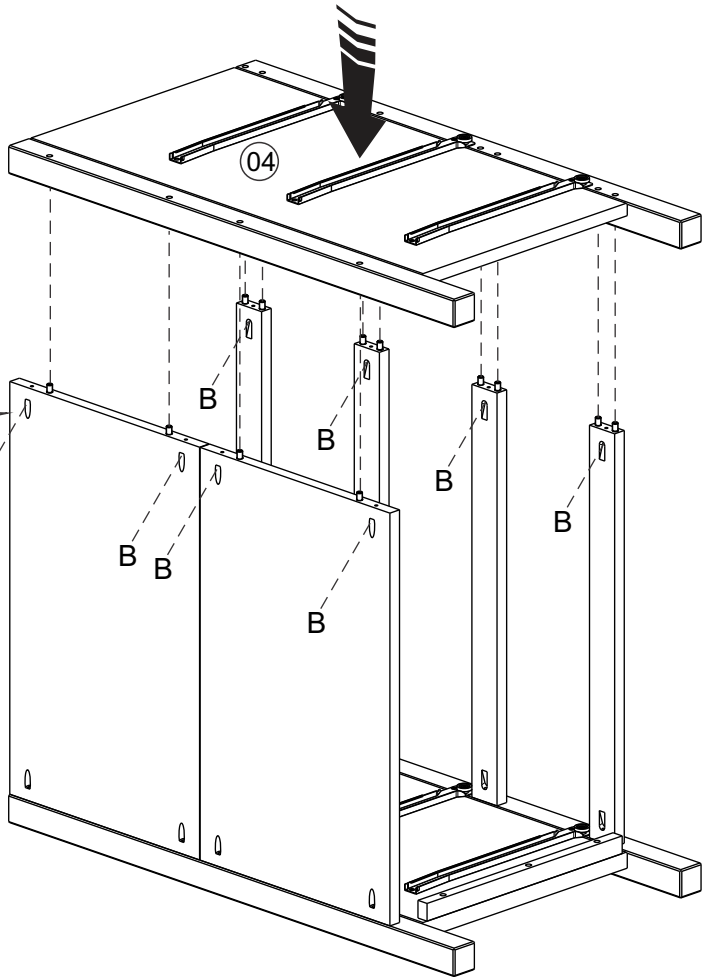
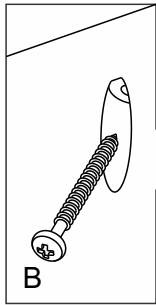
B - 4,0x30 Screw
Qty. 04

STEP 3



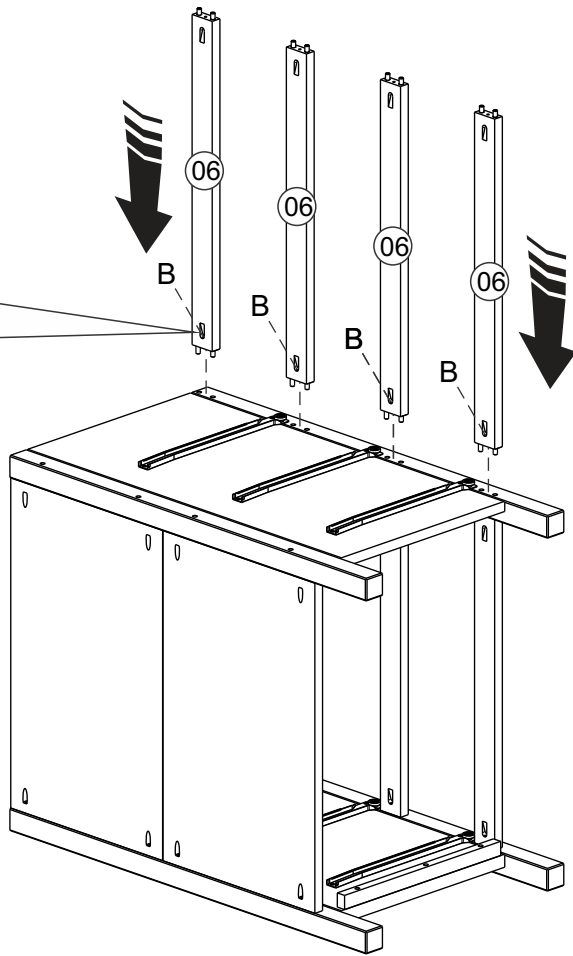
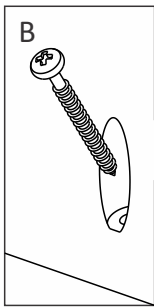
B - 4,0x30 Screw
Qty. 04

STEP 4



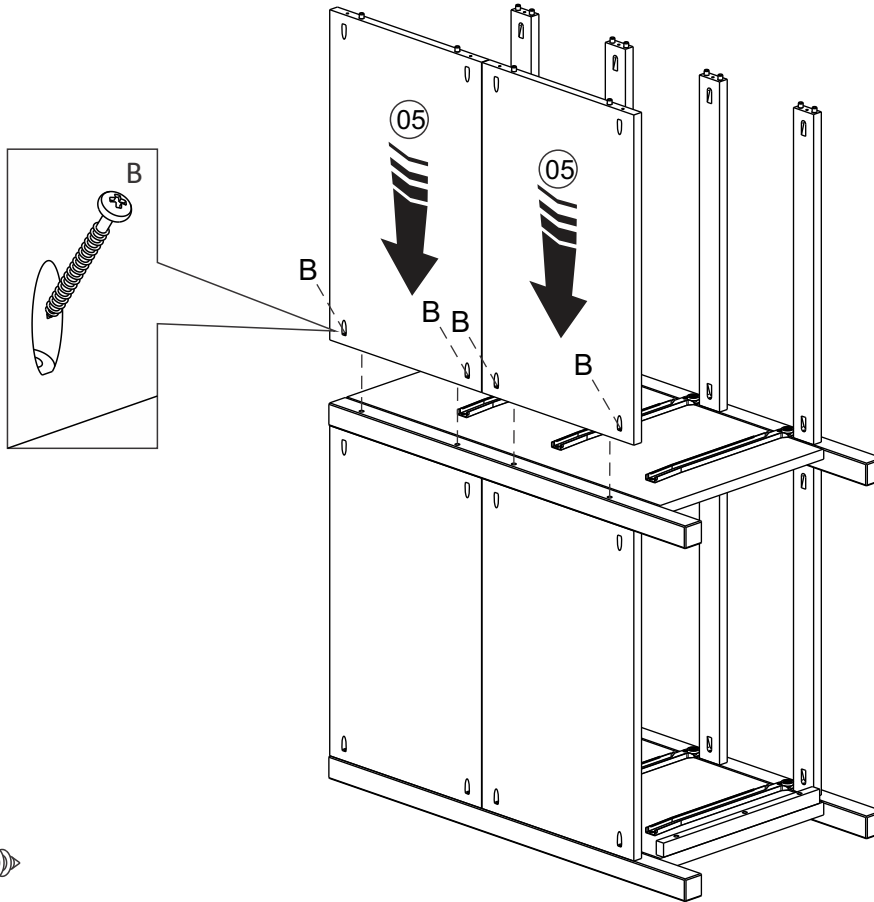
B - 4,0x30 Screw
Qty. 08

STEP 5



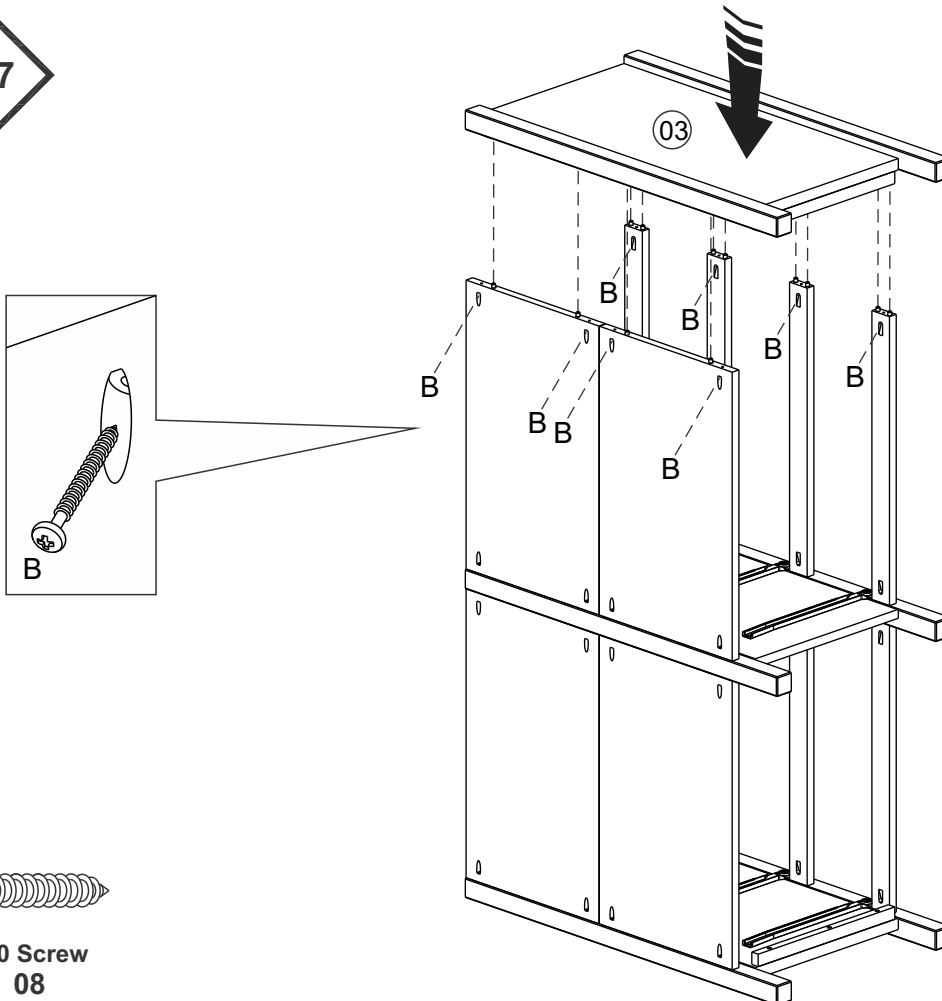
B - 4,0x30 Screw
Qty. 04

STEP 6



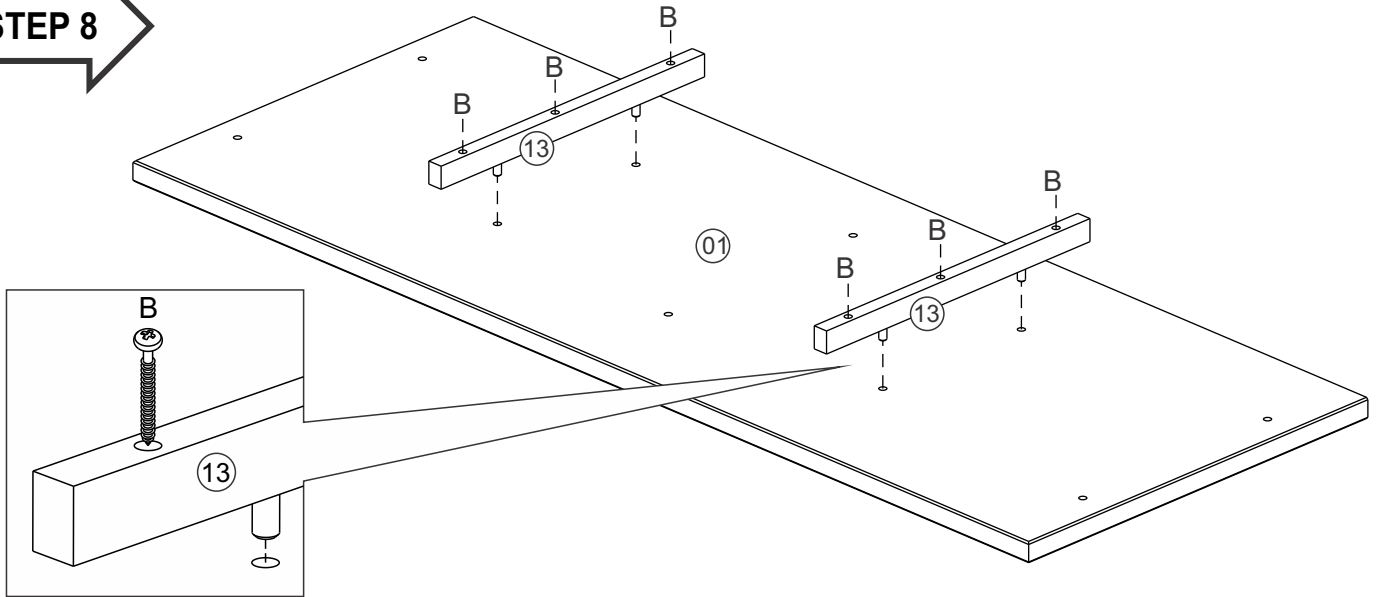
B - 4,0x30 Screw
Qty. 04

STEP 7



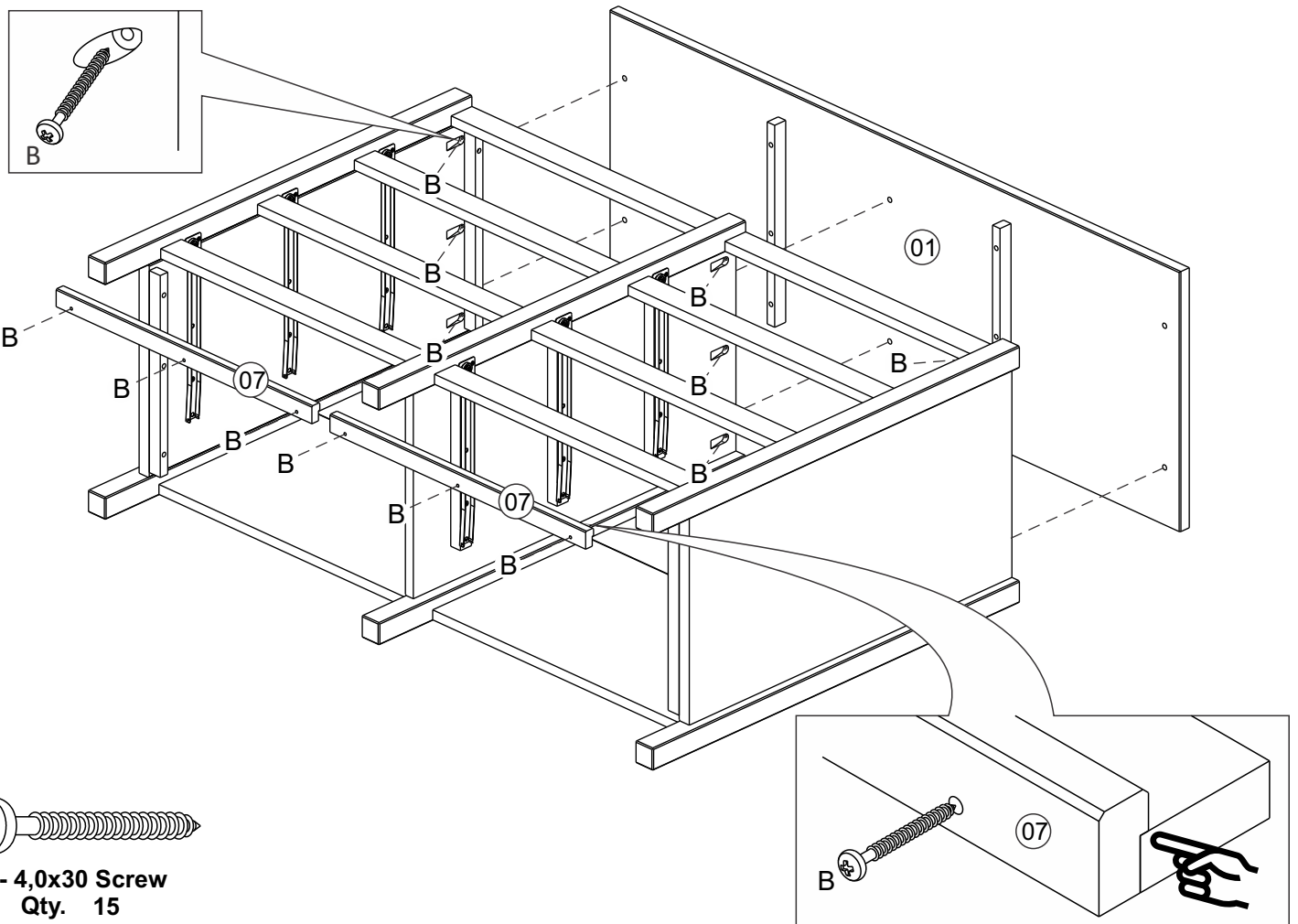
B - 4,0x30 Screw
Qty. 08

STEP 8



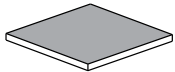
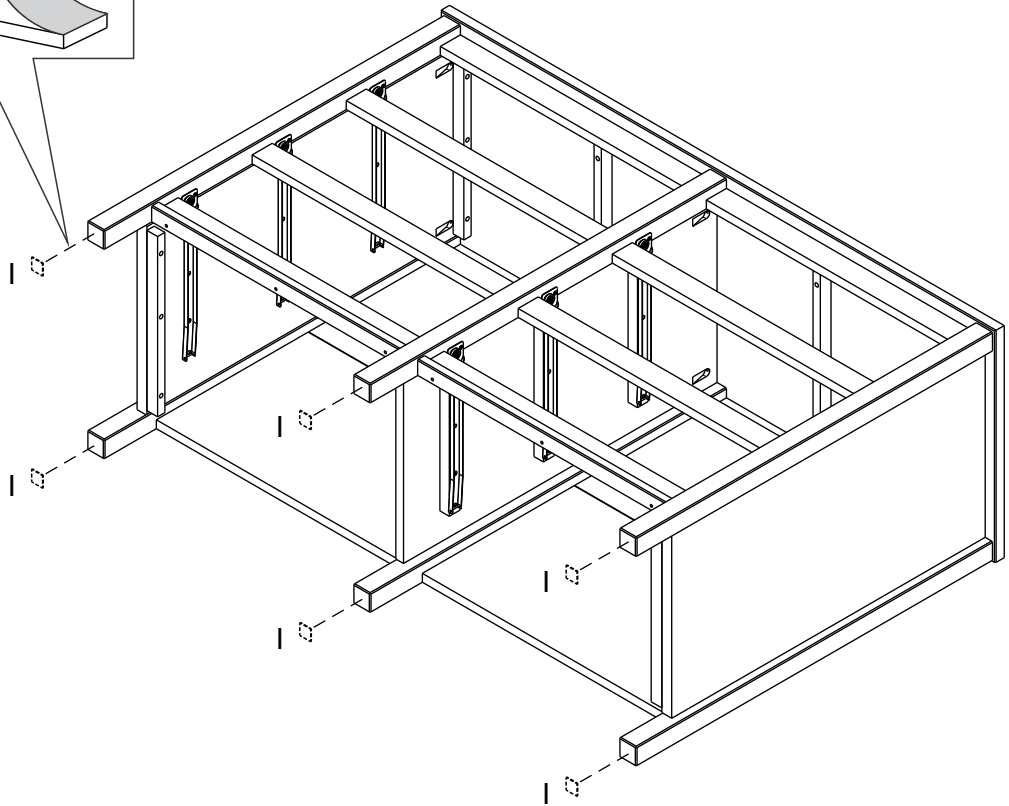
B - 4,0x30 Screw
Qty. 06

STEP 9



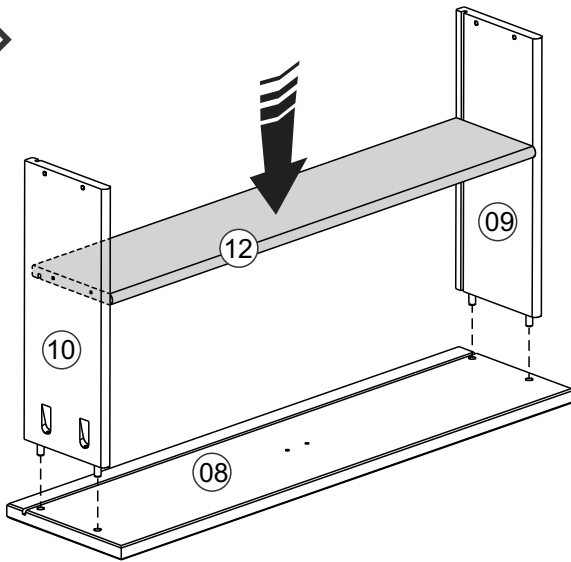
B - 4,0x30 Screw
Qty. 15

STEP 10

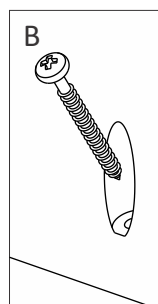
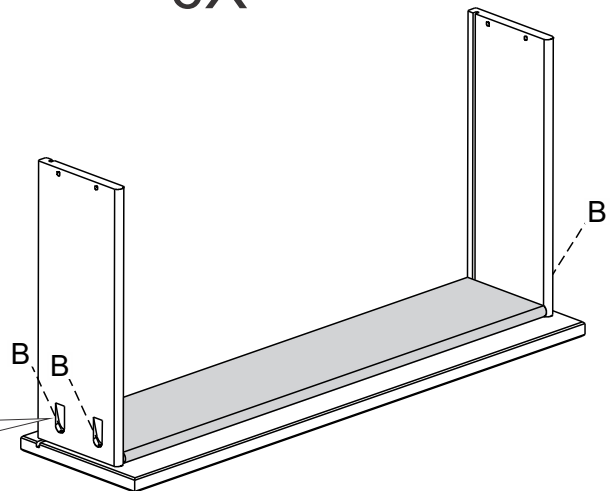


I - 25x25 Sticker Ribbon
Qty. 06

STEP 11

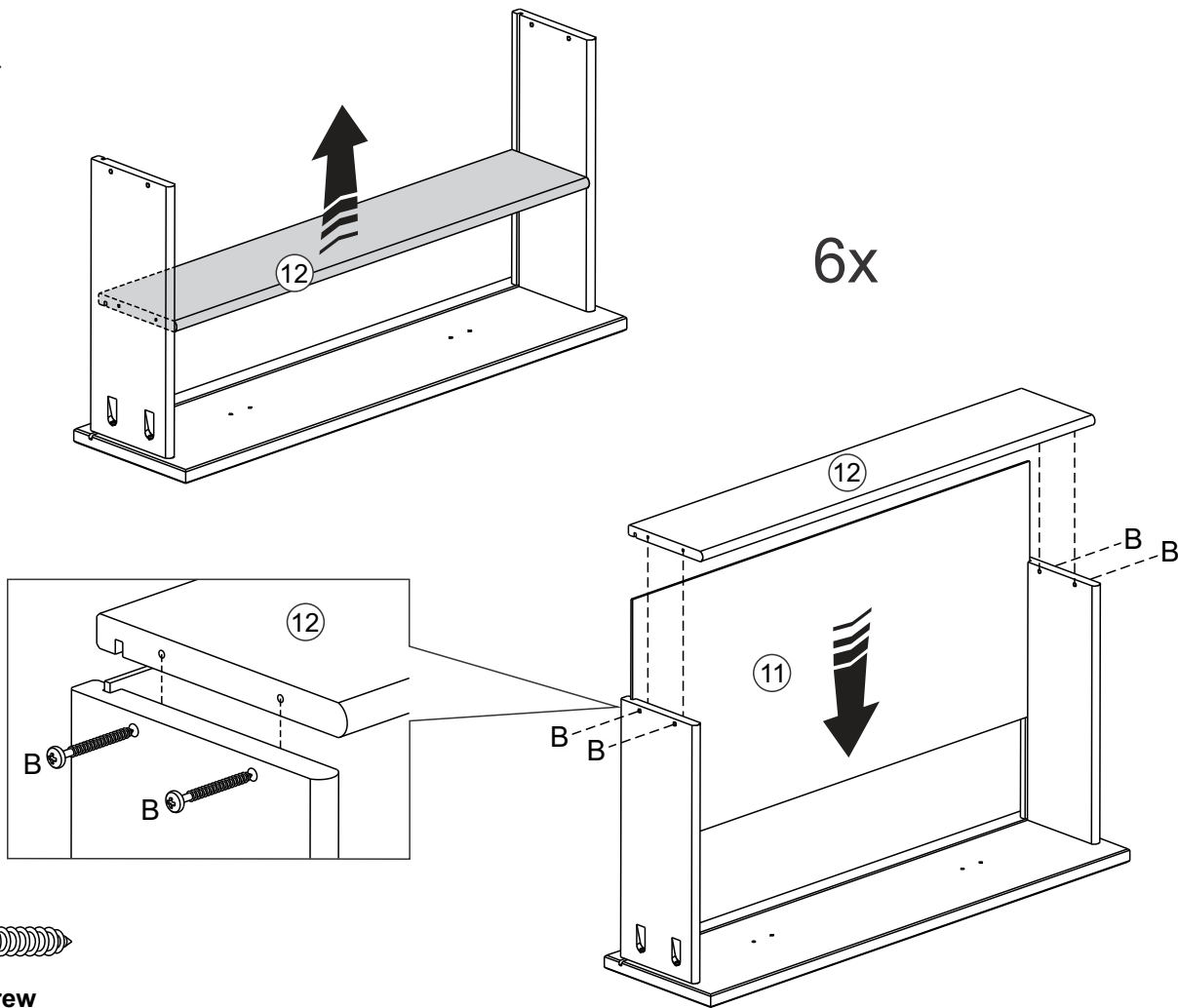


6X



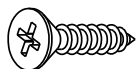
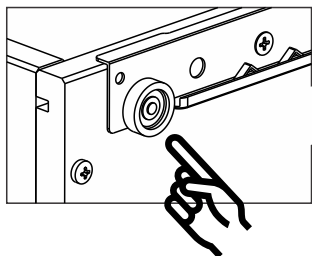
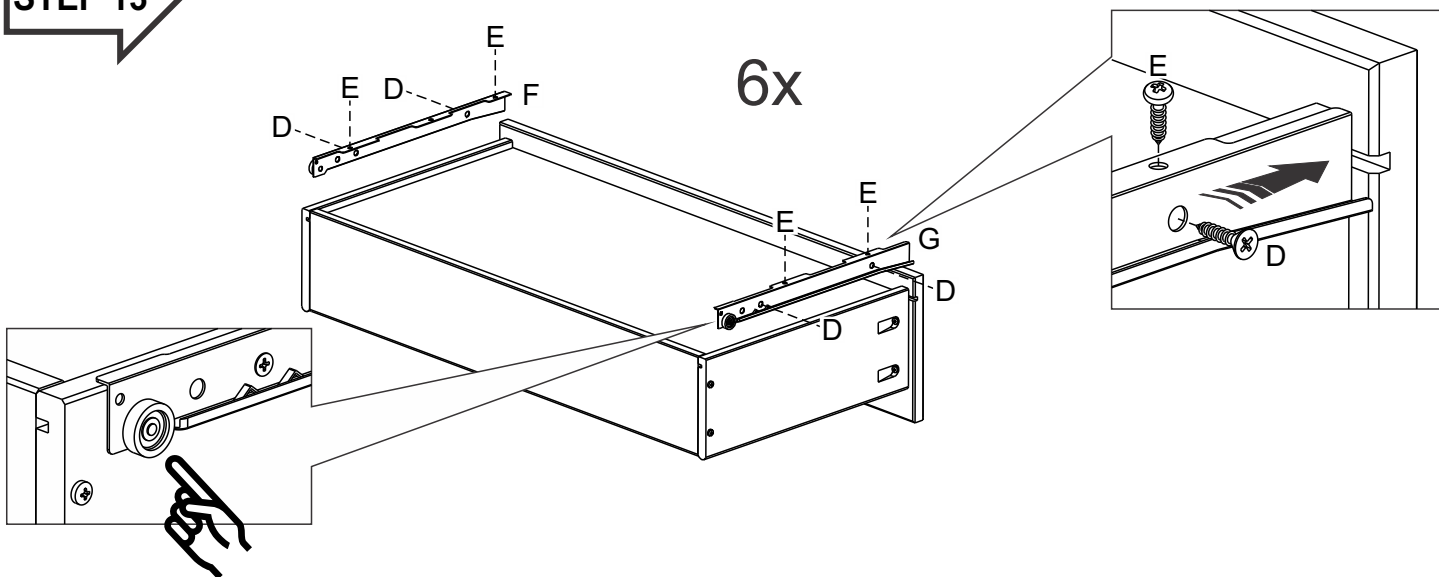
B - 4,0x30 Screw
Qty. 24

STEP 12



B - 4,0x30 Screw
Qty. 24

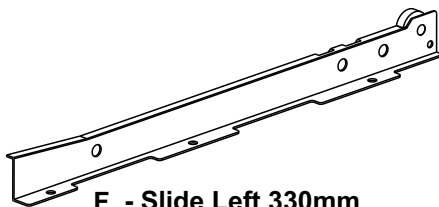
STEP 13



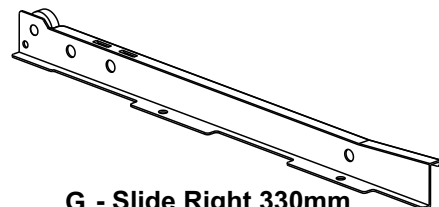
D - 4,0x14 Screw
Qty. 24



E - 3,5x16 Screw
Qty. 24

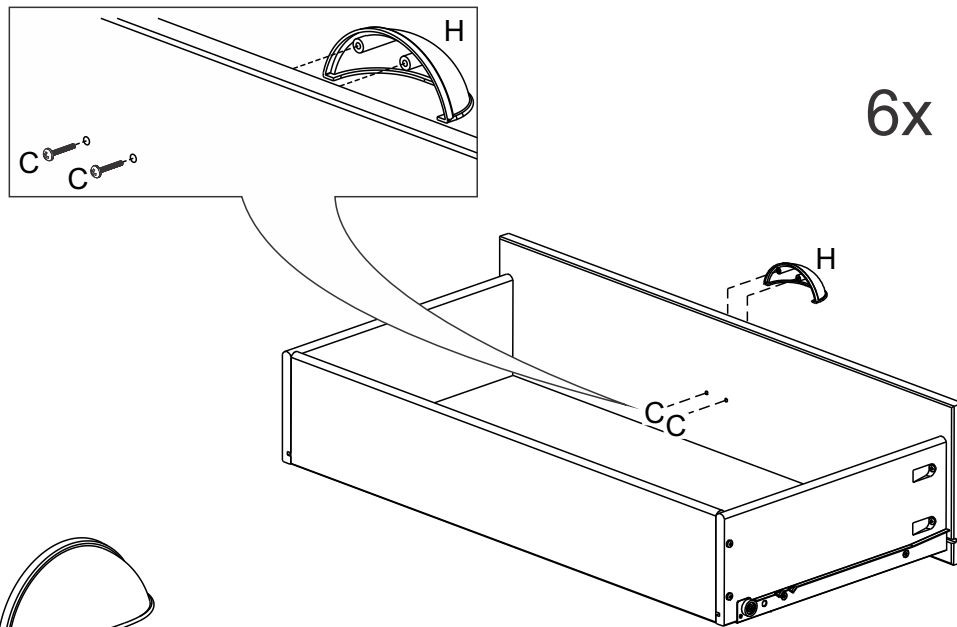


F - Slide Left 330mm
Qty. 06



G - Slide Right 330mm
Qty. 06

STEP 14



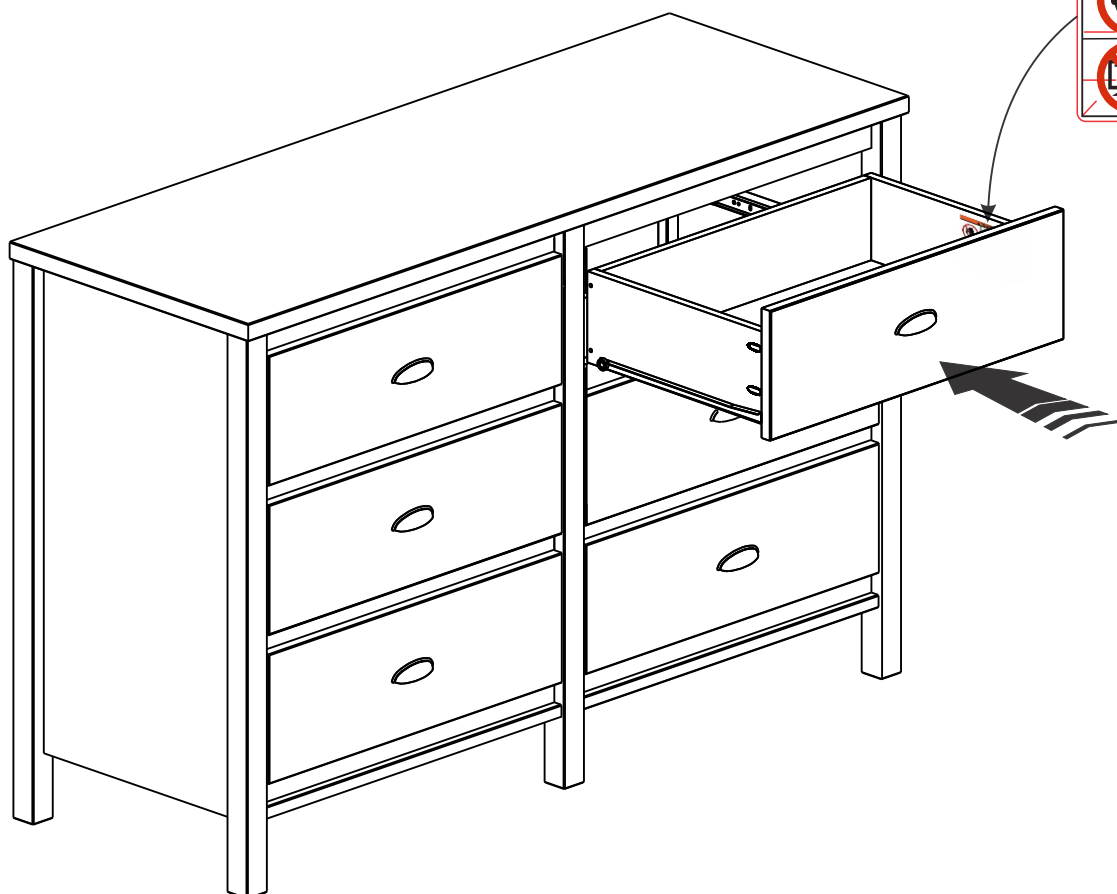
6x



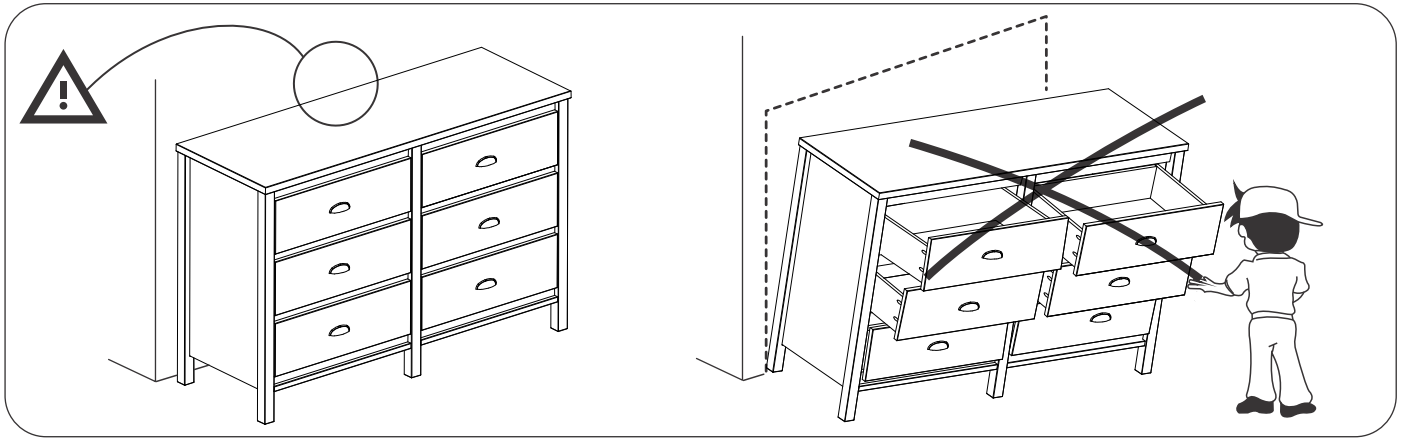
C - M4x22 Screw
Qty. 12

H - Drawer Knob
Qty. 06

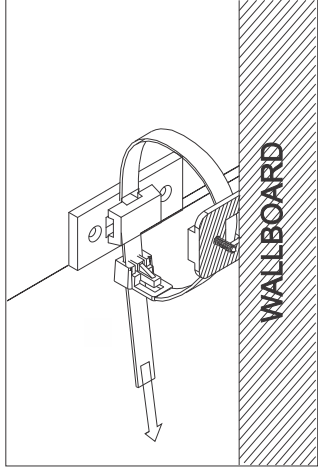
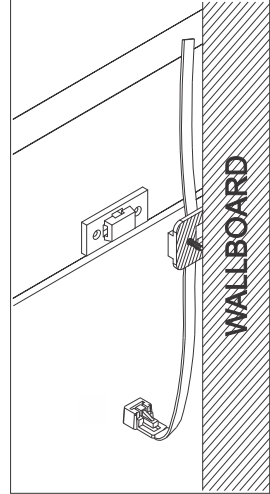
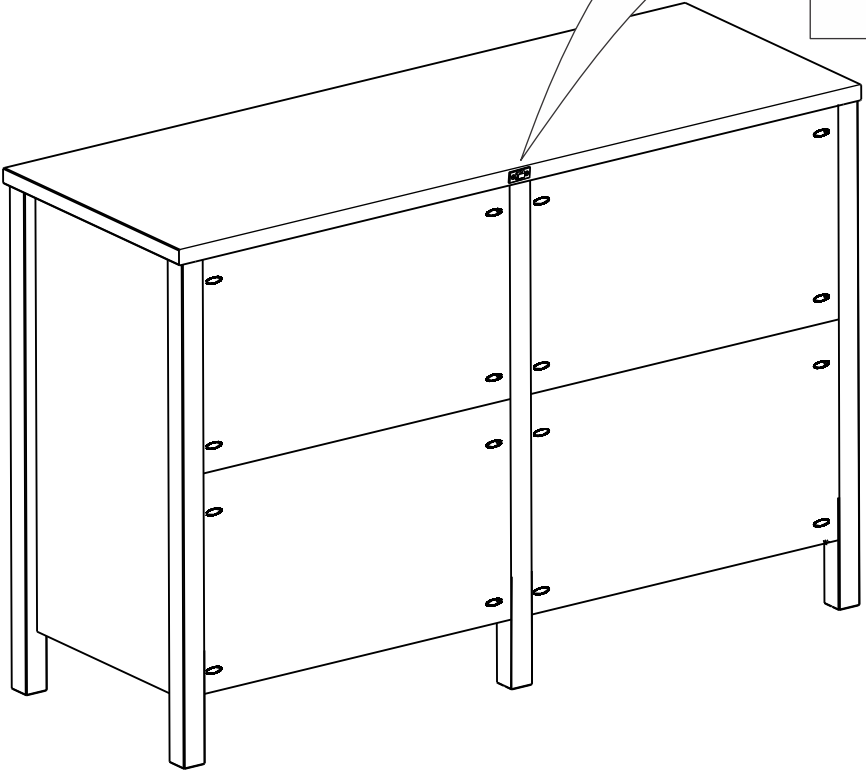
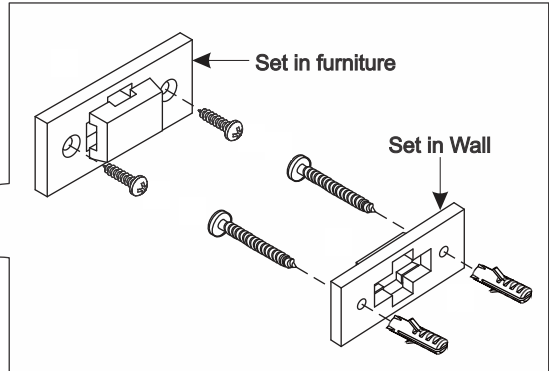
STEP 15

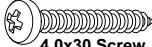

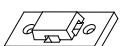




⚠ WARNING	
Children have died from furniture tipover. To reduce the risk of furniture tipover:	
	<ul style="list-style-type: none"> • ALWAYS install Anti-tip device provided. • NEVER put a TV on this product. • NEVER allow children to stand, climb or hang on any drawers, doors, or shelves. • NEVER open more than one drawer at a time. • Place heaviest items in the lowest drawers.
	<p>This is a permanent label. Do not remove!</p>



Anti-Tip Kit



- Anti-Tip Kit**
-  4,0x30 Screw
Qty. 02
 -  3,5x14 Screw
Qty. 02
 -  Plastic wall bracket
Qty. 02
 -  Nylon strap 300x4,8mm
Qty. 01
 -  Plastic screw anchor 6mm
Qty. 02