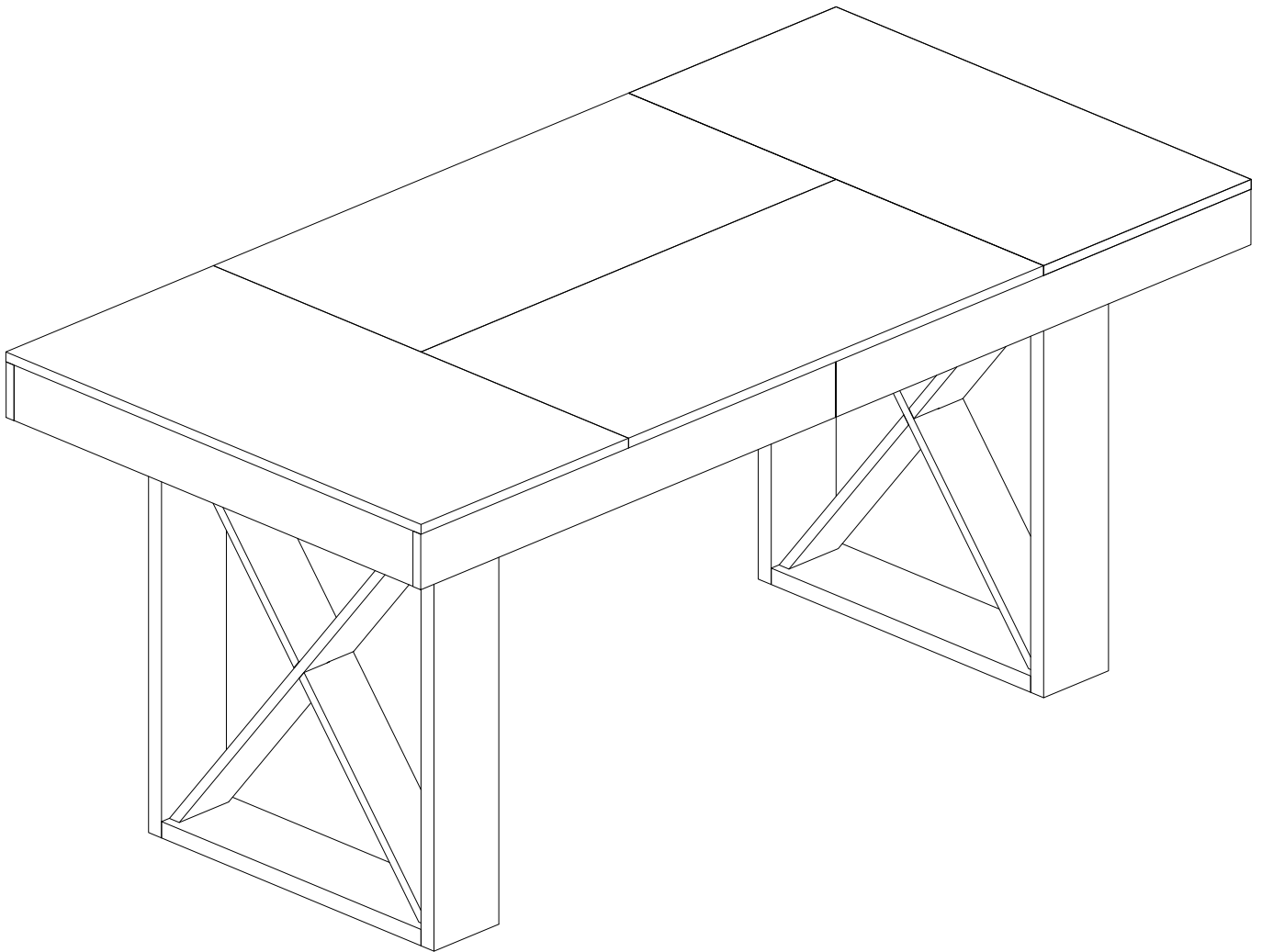


Tribesigns

DESIGNED FOR LIFE

Assembly Instructions



**Dining Table
Computer Desk**

Model No.
HOGA-YC0017

 **LITTLE TREE**
Little Tree by Tribesigns

www.tribesigns.com



Contact Us

We're here to help you.




Your satisfaction is our top priority. If you encounter any issues with this product, such as missing or damaged parts, we're here to help. Please retain the original packaging and take photos of the packaging and the product, then contact us as soon as possible.

Warm Tips

1. Carefully read these instructions and keep them for future reference.
2. Check the parts list and confirm everything's there before starting assembly.
3. When assembling, put all parts on a soft, smooth surface like a carpet to avoid scratches.
4. Don't fully tighten screws until all parts are confirmed in place to avoid misalignment.

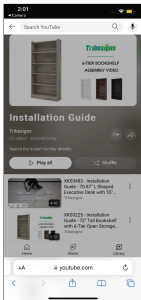
How to Get the Assembly Video

Step 1 Scan the QR code.



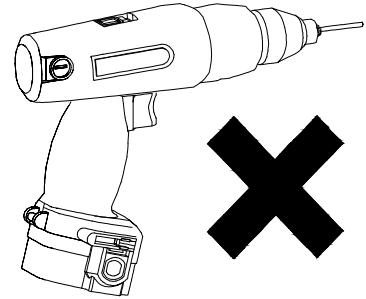
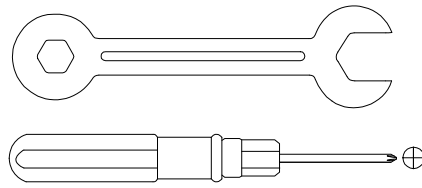
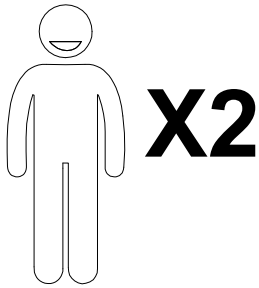
Installation Video

Step 2 Search with the Model No. (on the bottom left corner of the title page)



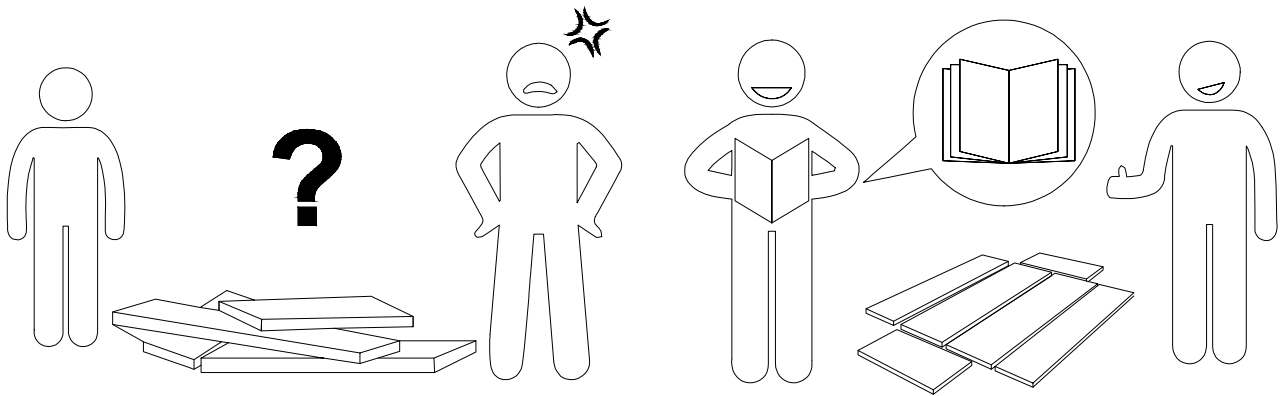
HOGA-YC0017

Note: If you can't find the assembly video, please contact us.



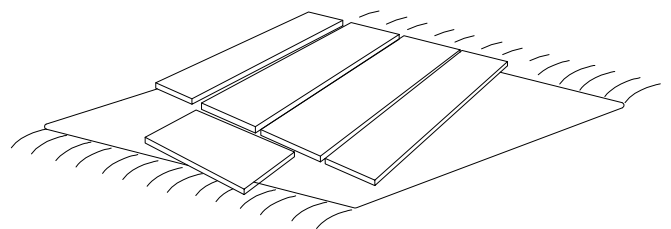
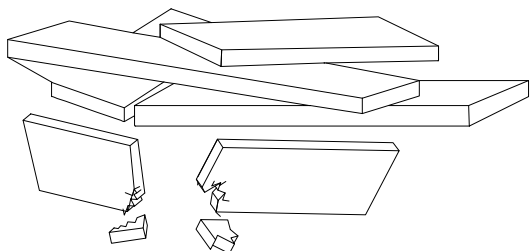
We recommend using hand tools for assembly.

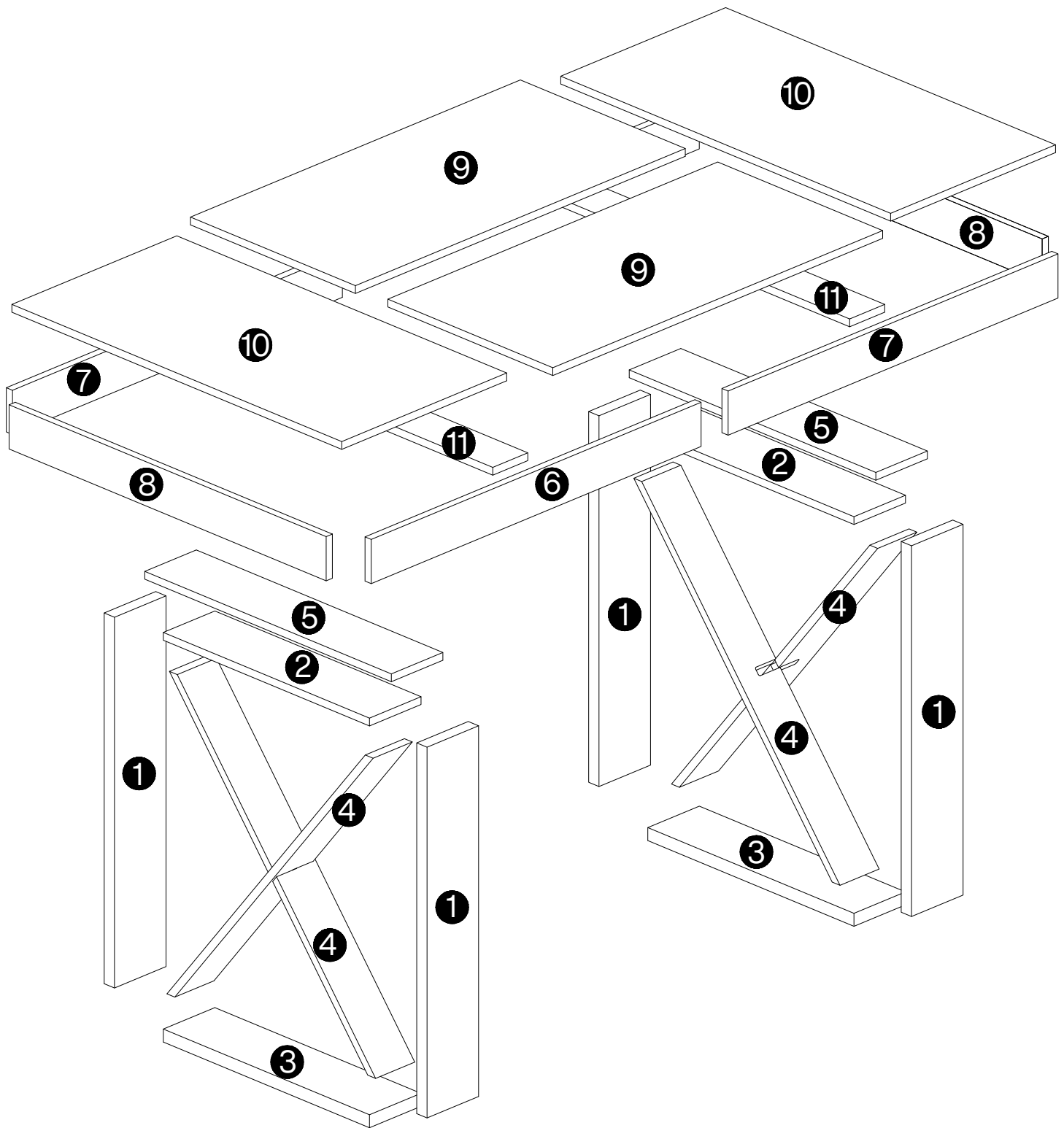
If an electric screwdriver is used, reduce power and torque to avoid damage to the product.



AVOID SCRATCHES

In order to avoid scratching, this furniture should be assembled on a soft surface, such as a rug.



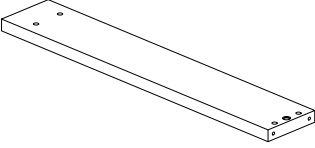
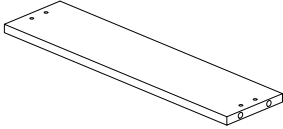
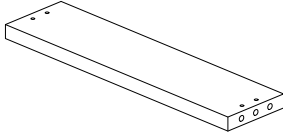
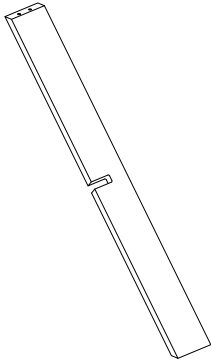
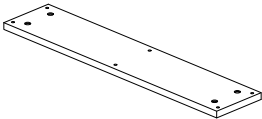
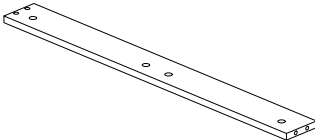
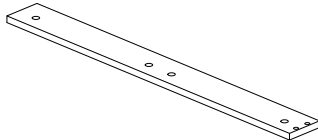
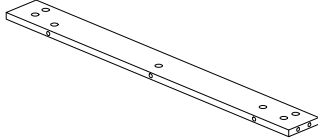
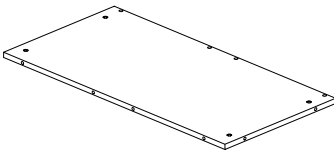
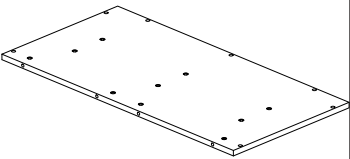
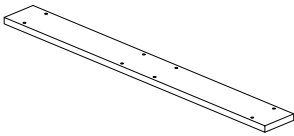


⚠ Caution

Make sure all parts are included. Most board parts are labeled or stamped on the raw edge. Contact us for a free replacement if you encounter any damaged or missing parts.

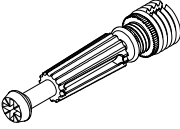
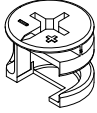
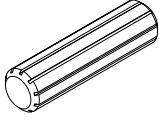
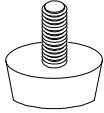
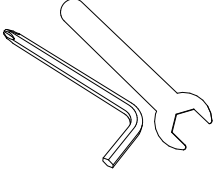
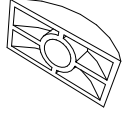


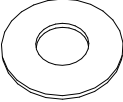

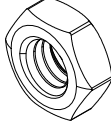
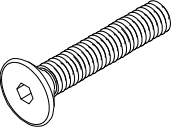
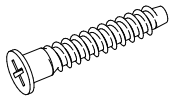
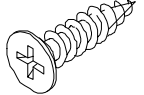
Parts List

<p>1</p>  <p>4 pcs</p>	<p>2</p>  <p>2 pcs</p>	<p>3</p>  <p>2 pcs</p>	<p>4</p>  <p>4 pcs</p>
<p>5</p>  <p>2 pcs</p>	<p>6</p>  <p>2 pcs</p>	<p>7</p>  <p>2 pcs</p>	<p>8</p>  <p>2 pcs</p>
<p>9</p>  <p>2 pcs</p>	<p>10</p>  <p>2 pcs</p>	<p>11</p>  <p>2 pcs</p>	



Hardware List

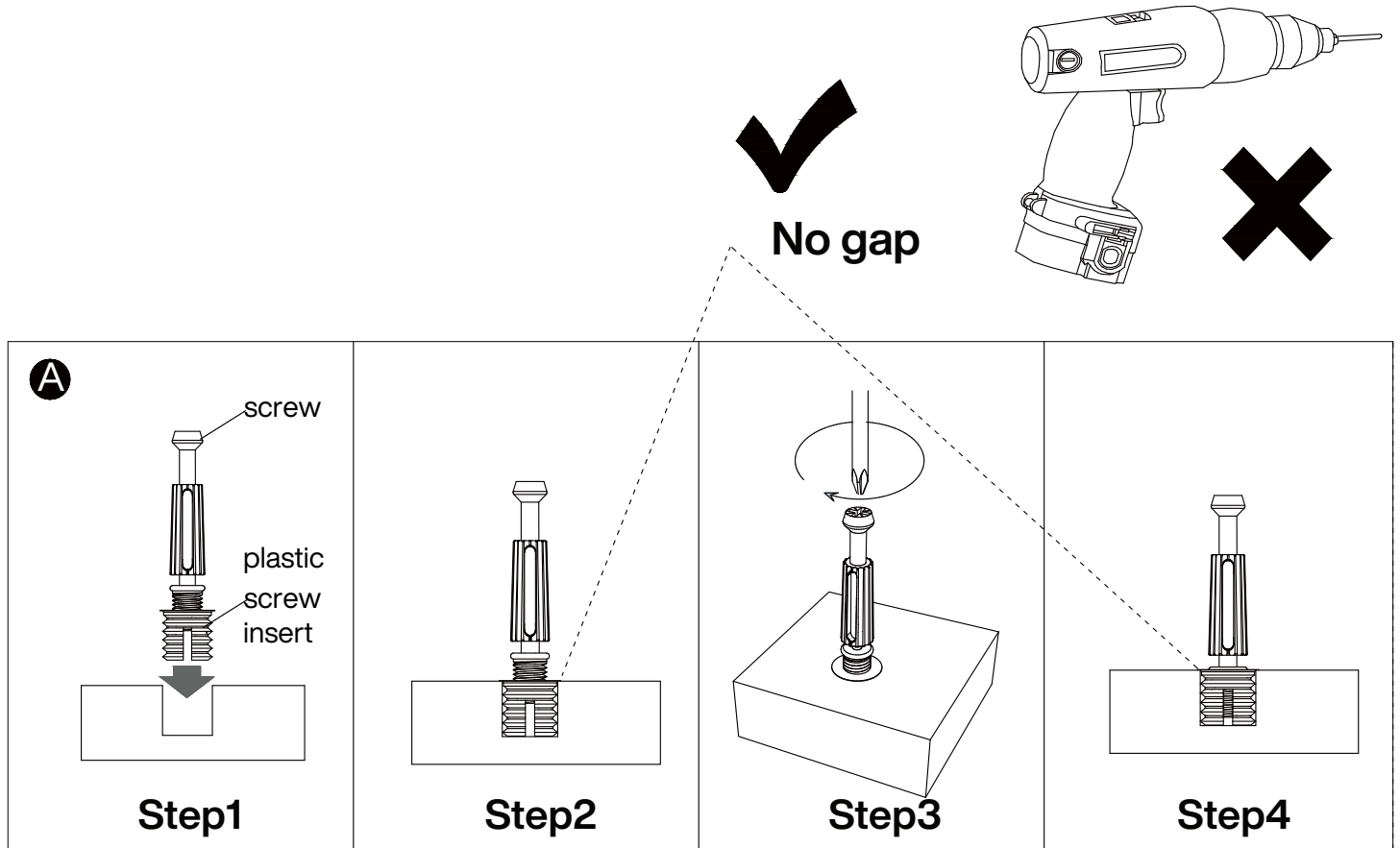
A	B	C	D	E	F
					
M6x40mm	Ø15x12mm	M8x30mm	M6x15mm		
38pcs	38 pcs	24 pcs	8 pcs	1 pc+1 pcs	4 pcs

G	H	I	J	K	L
					
	M8x70mm	M8x5mm	M6x25mm	M7x38mm	M3.5x25mm
4 pcs	4 pcs	4 pcs	28 pcs	8 pcs	16 pcs

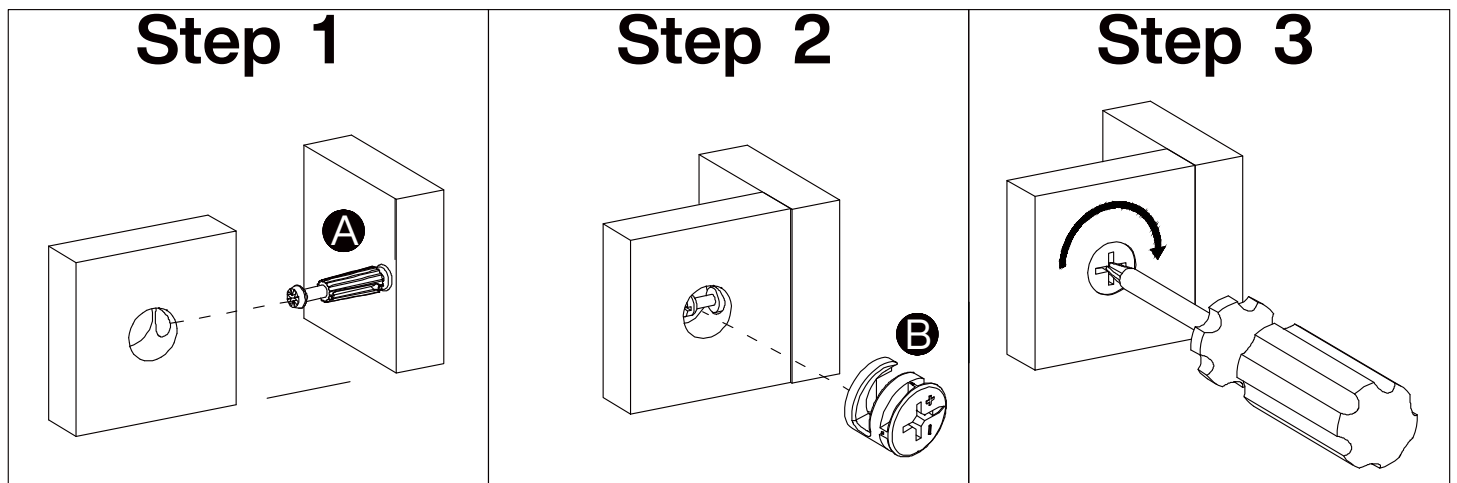


Installation of Cams and Pins

Step 1-2: Align the plastic part with the mounting hole and press it in. If you can't press it in, loosen the screw counter clockwise or completely remove the screw from the plastic part and try again.
Step 3-4: After pressing the plastic part into place, use a screwdriver to tighten the screw clockwise.

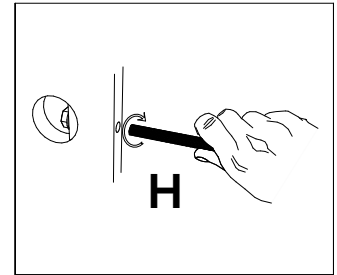
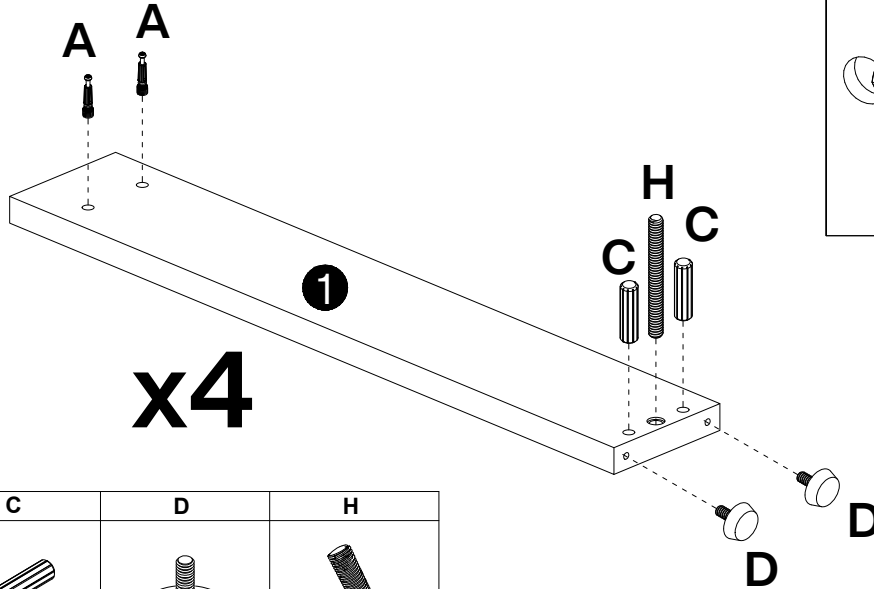
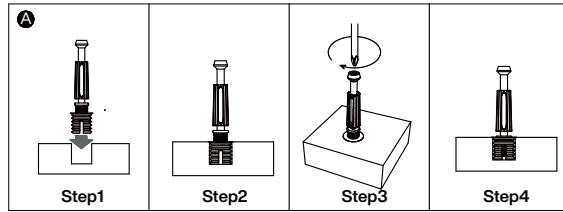


Screw the pin into the hole. Set the cams correctly by aligning the head of the cams with the lock pins. Lock the cam by turning the cam head with a screwdriver until it is tightened. Please do not use an electric screwdriver to assemble the unit.



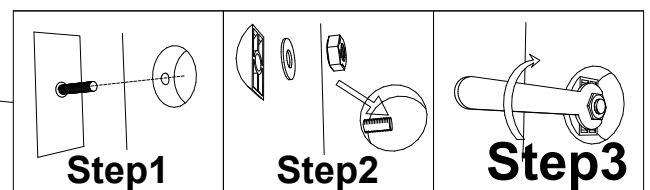
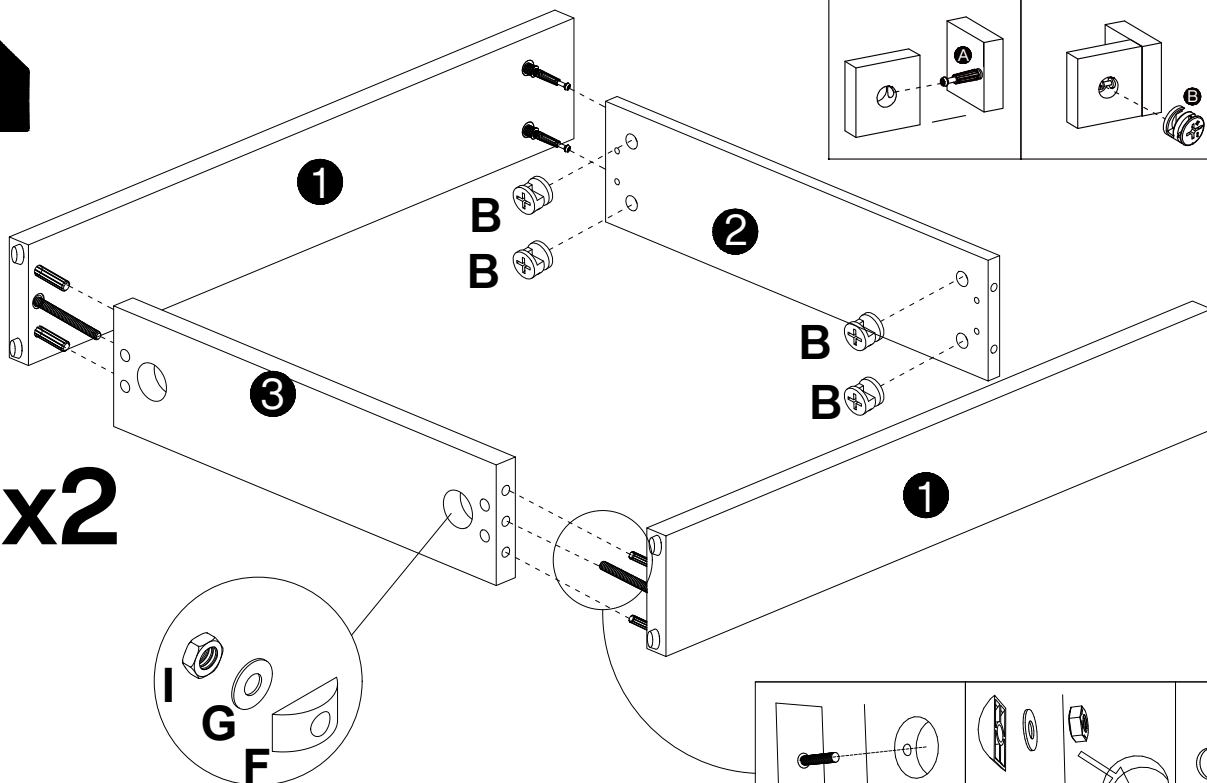
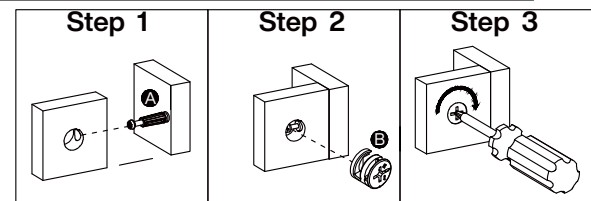


1



A	C	D	H
M6x40mm 8 pcs	M8x30mm 8 pcs	Ø20xM6x15mm 8 pcs	M8x70mm 4 pcs

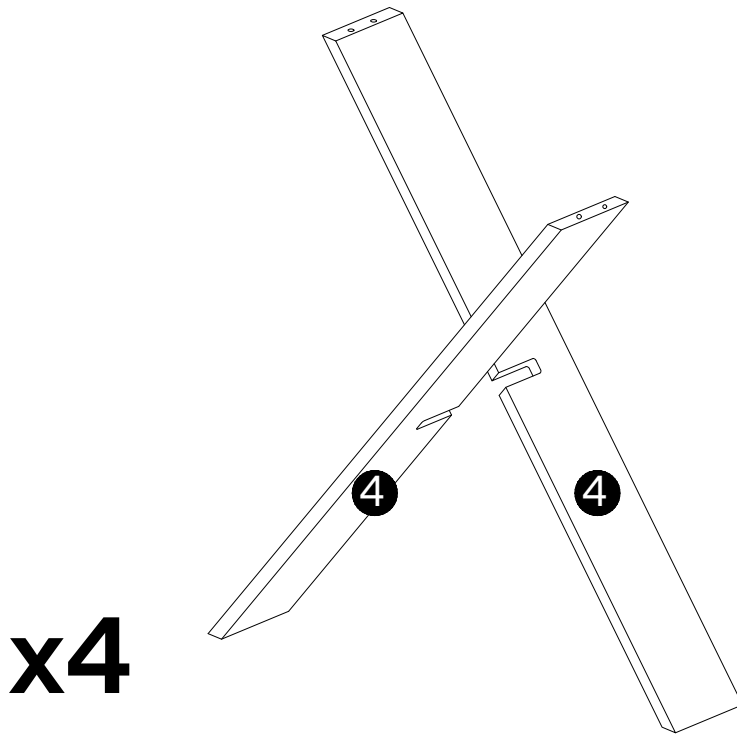
2



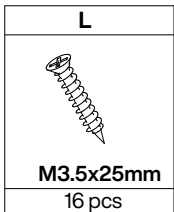
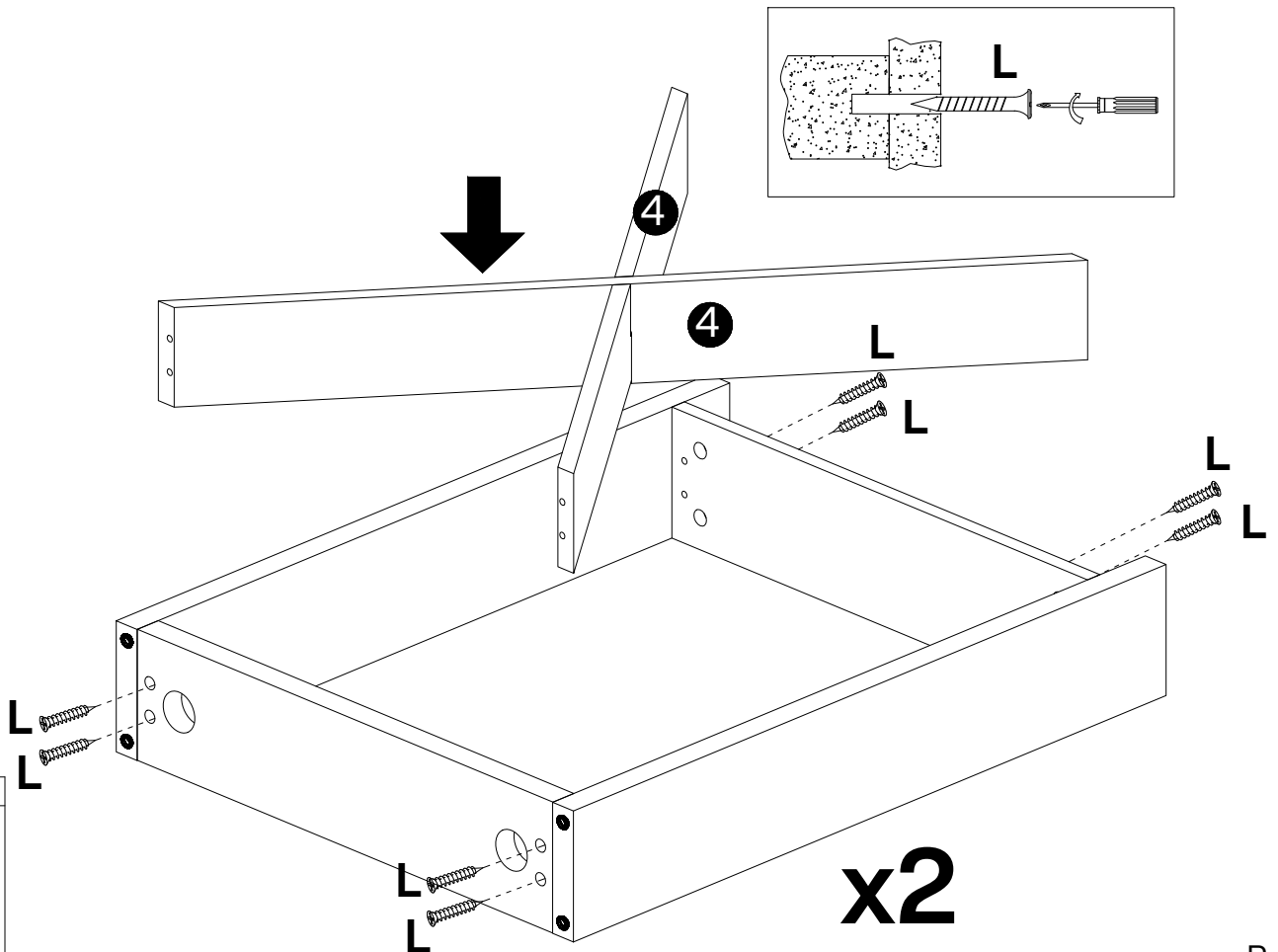
B	E	F	G	I
Ø15x12mm 8 pcs	1 pc	4 pcs	4 pcs	4 pcs



3

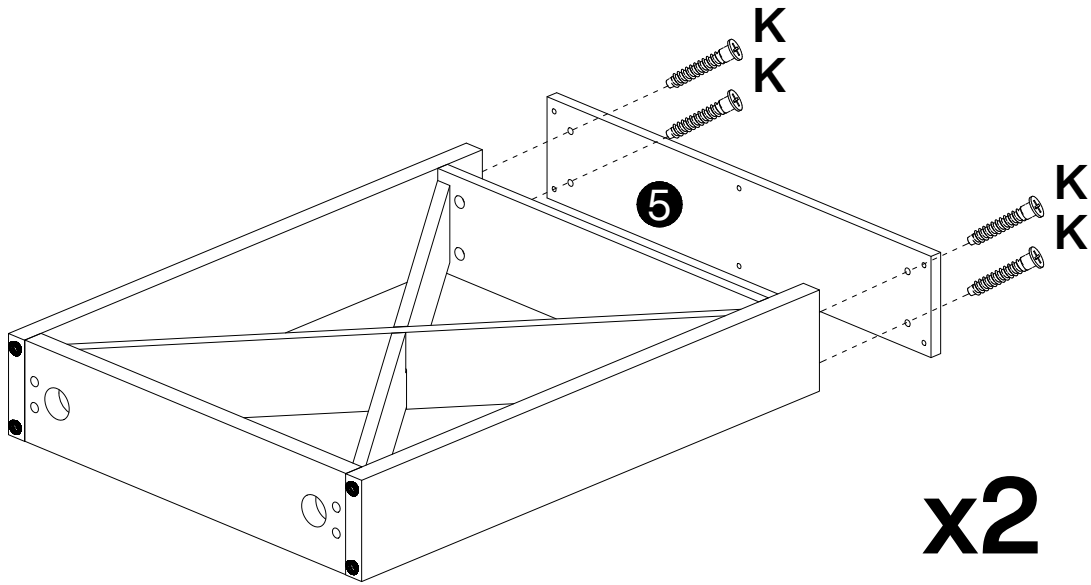
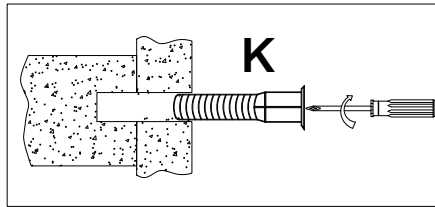



4






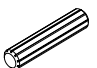
5

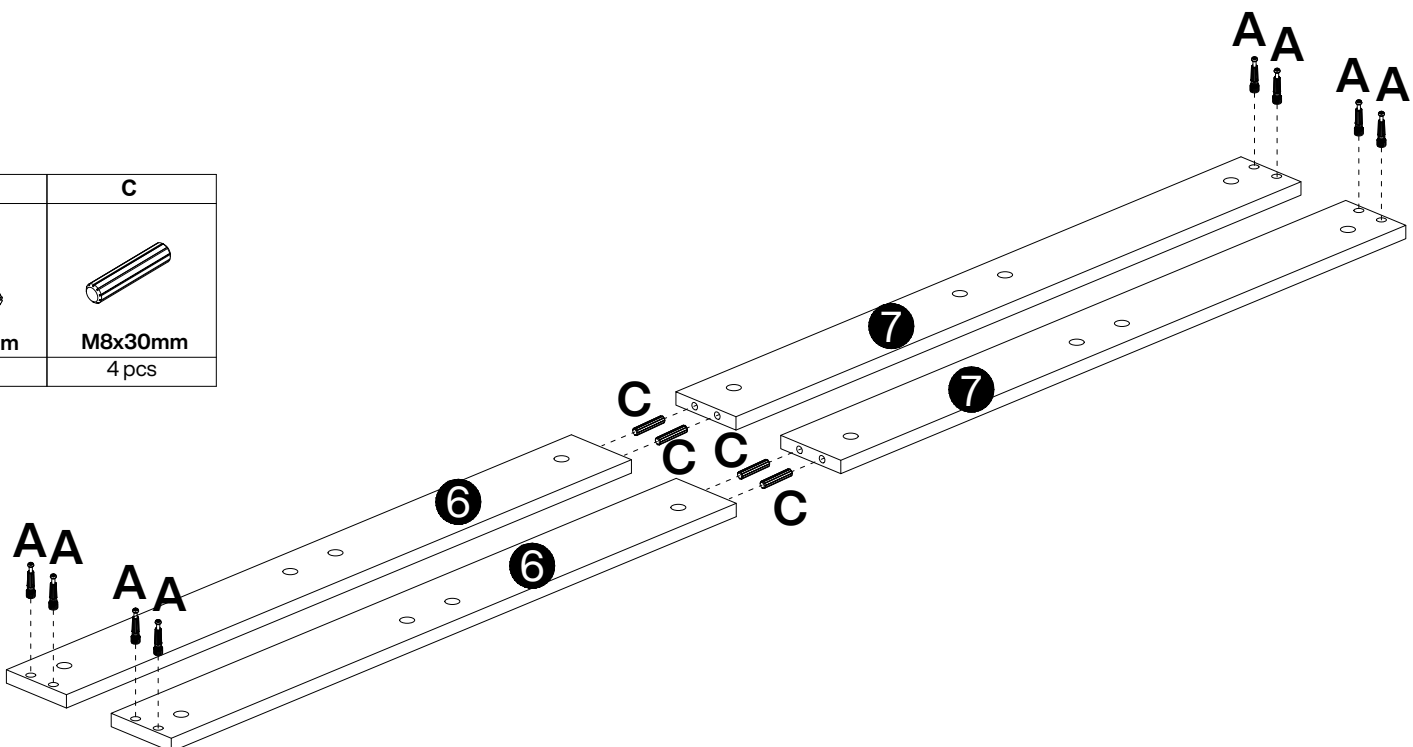


K

M7x38mm
8 pcs

x2

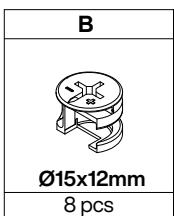
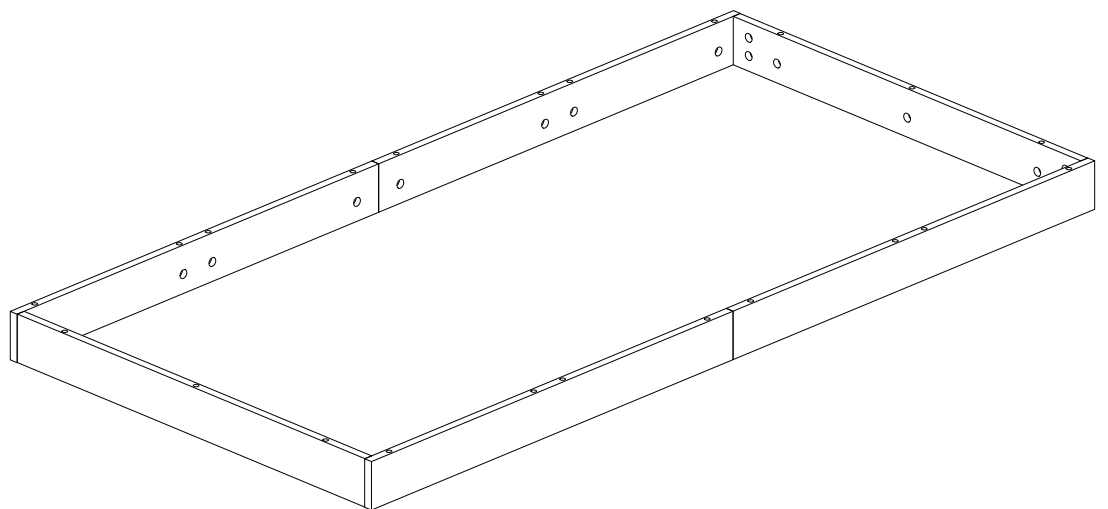
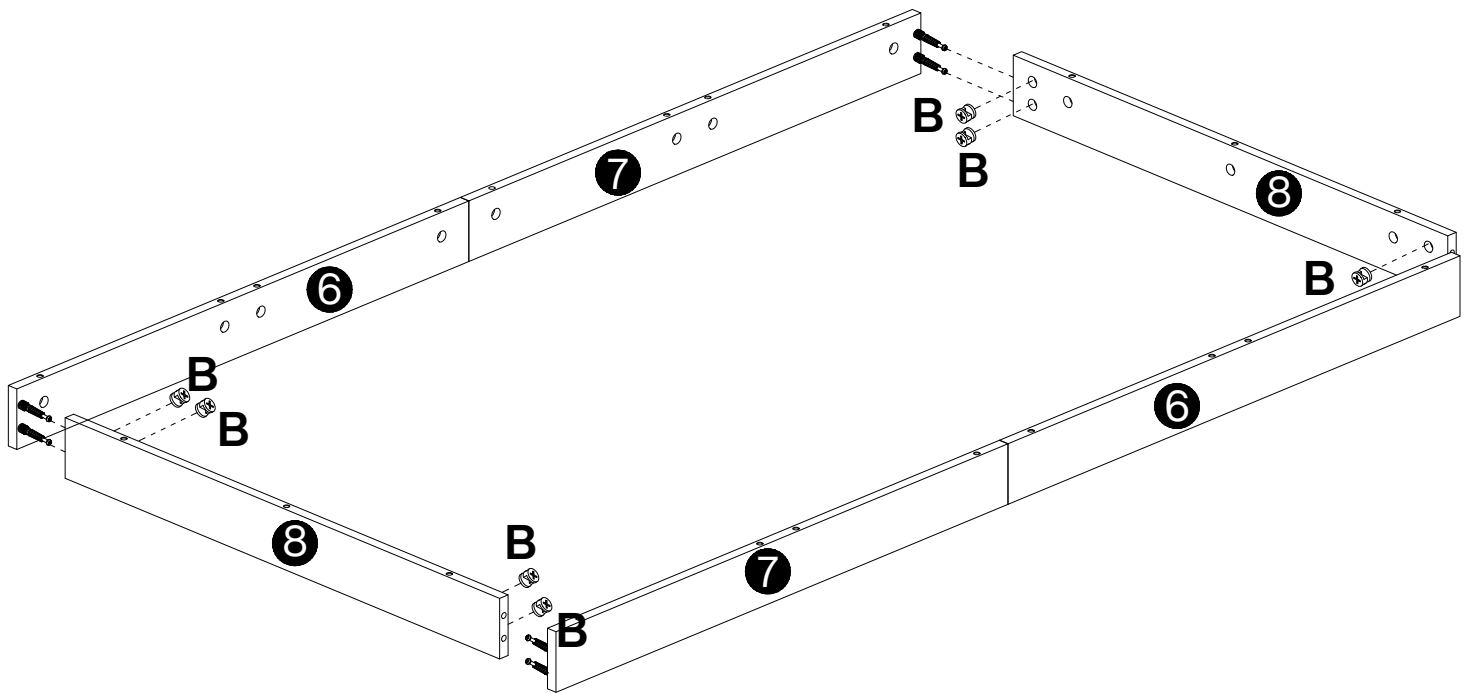
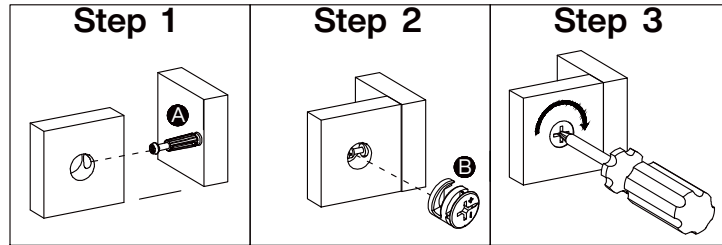
6

A	C
	
M6x40mm	M8x30mm
8 pcs	4 pcs



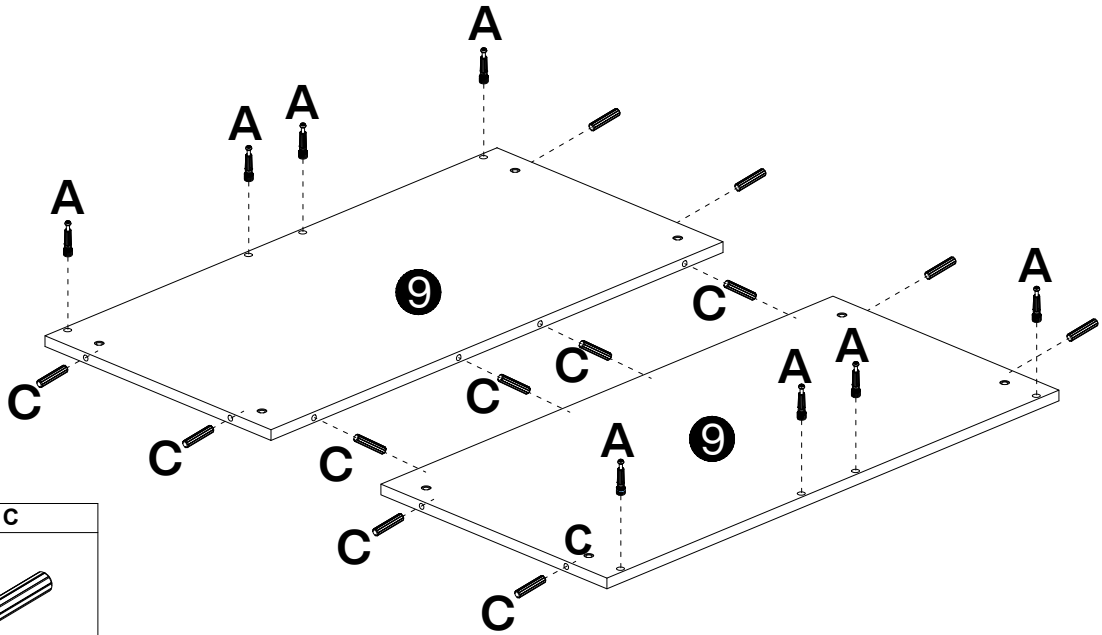
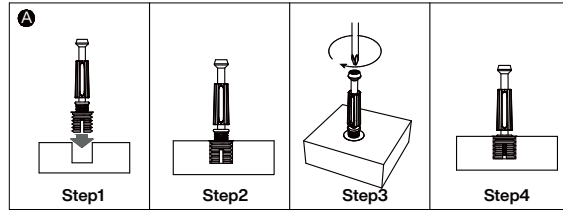


7



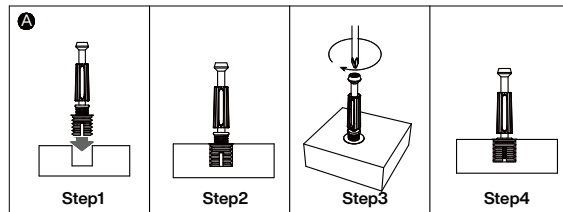


8

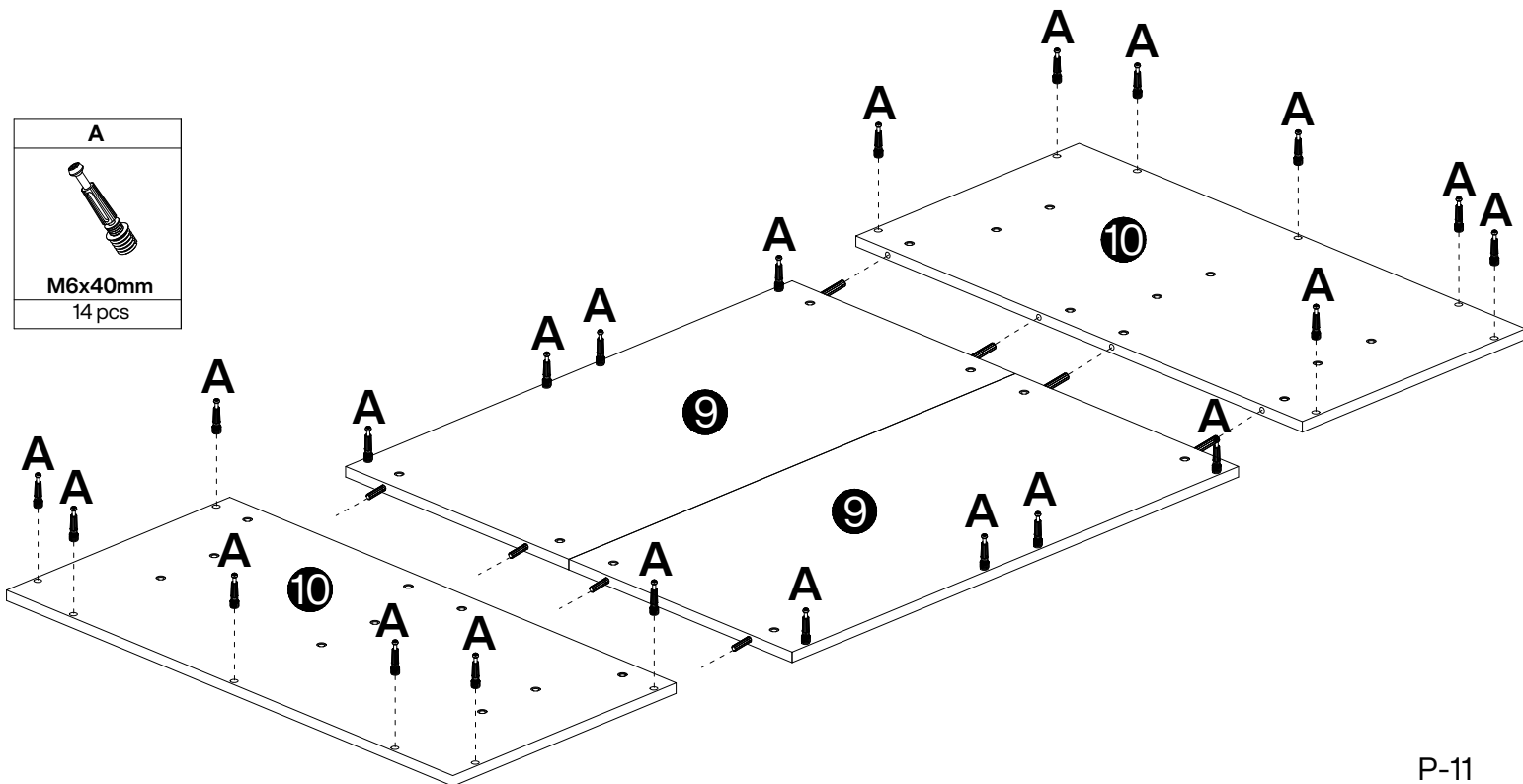


A	C
M6x40mm 8 pcs	M8x30mm 12 pcs

9

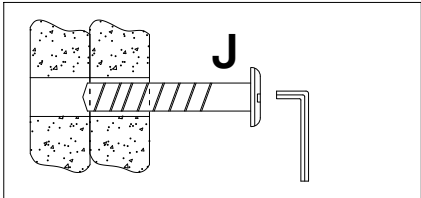
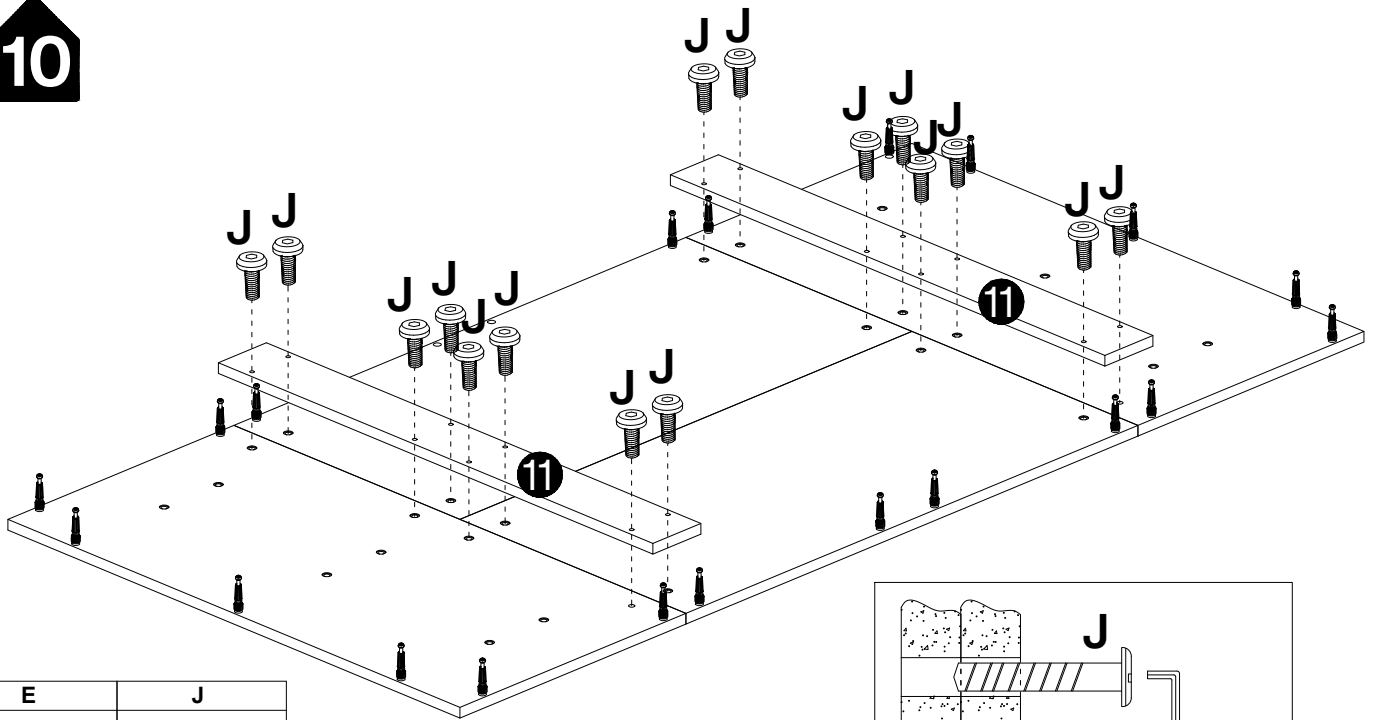



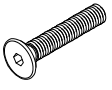
A
M6x40mm 14 pcs



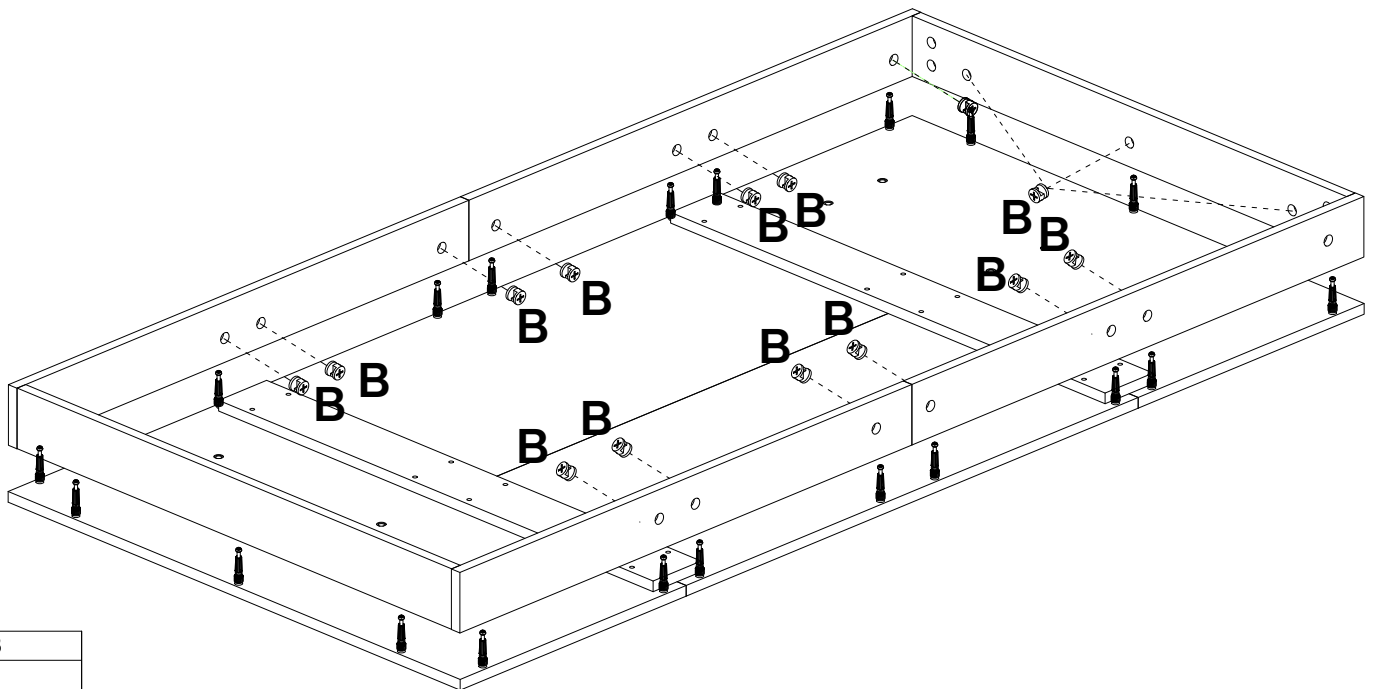
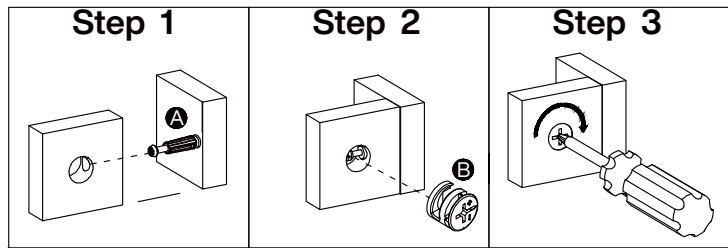


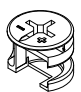
10



E	J
	
1 pc	M6x25mm 16 pcs

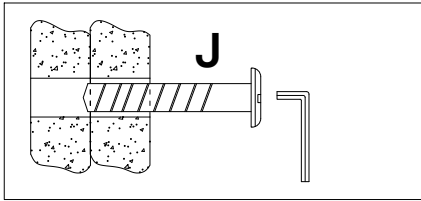
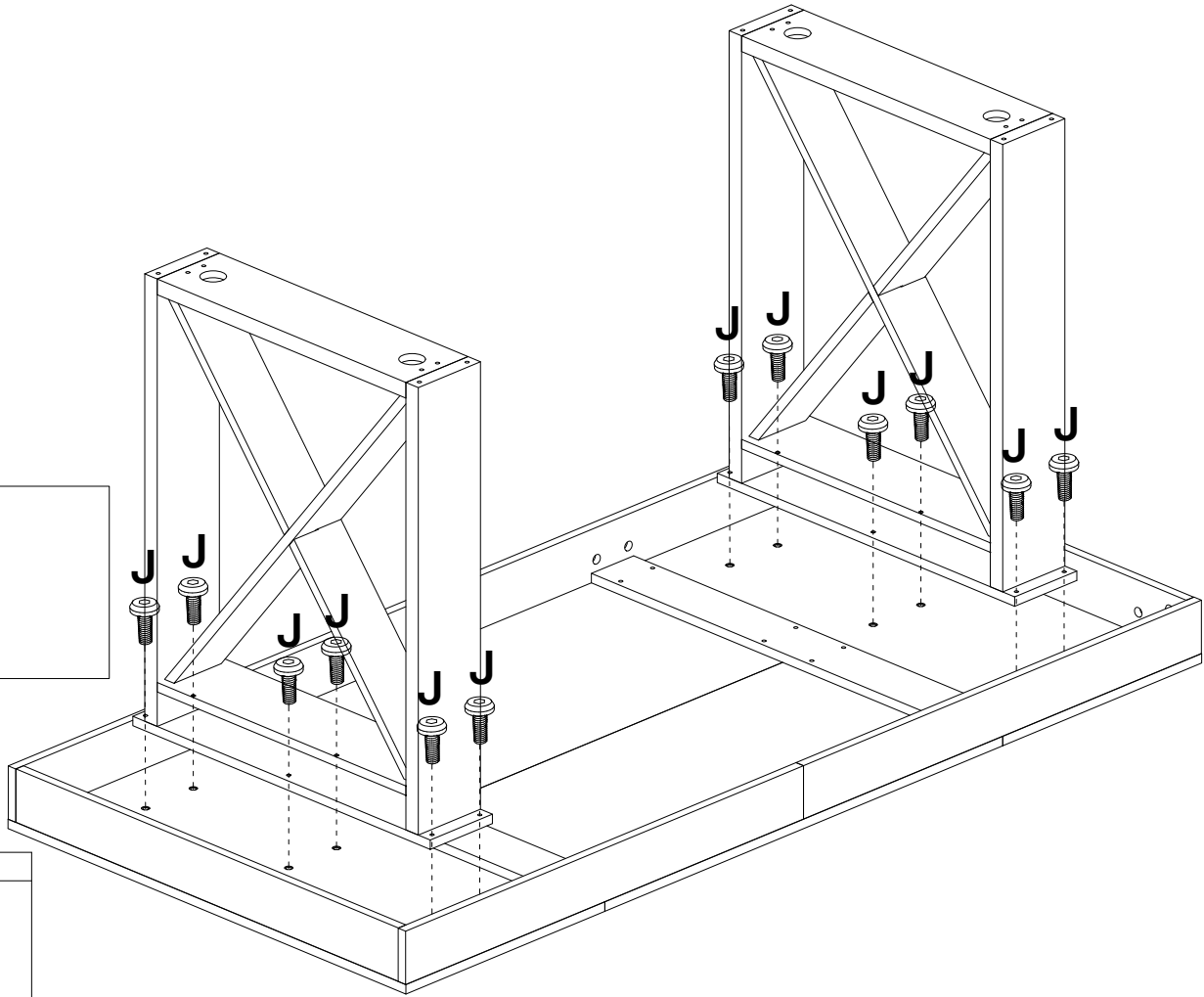
11


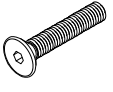


B

Ø15x12mm 22 pcs

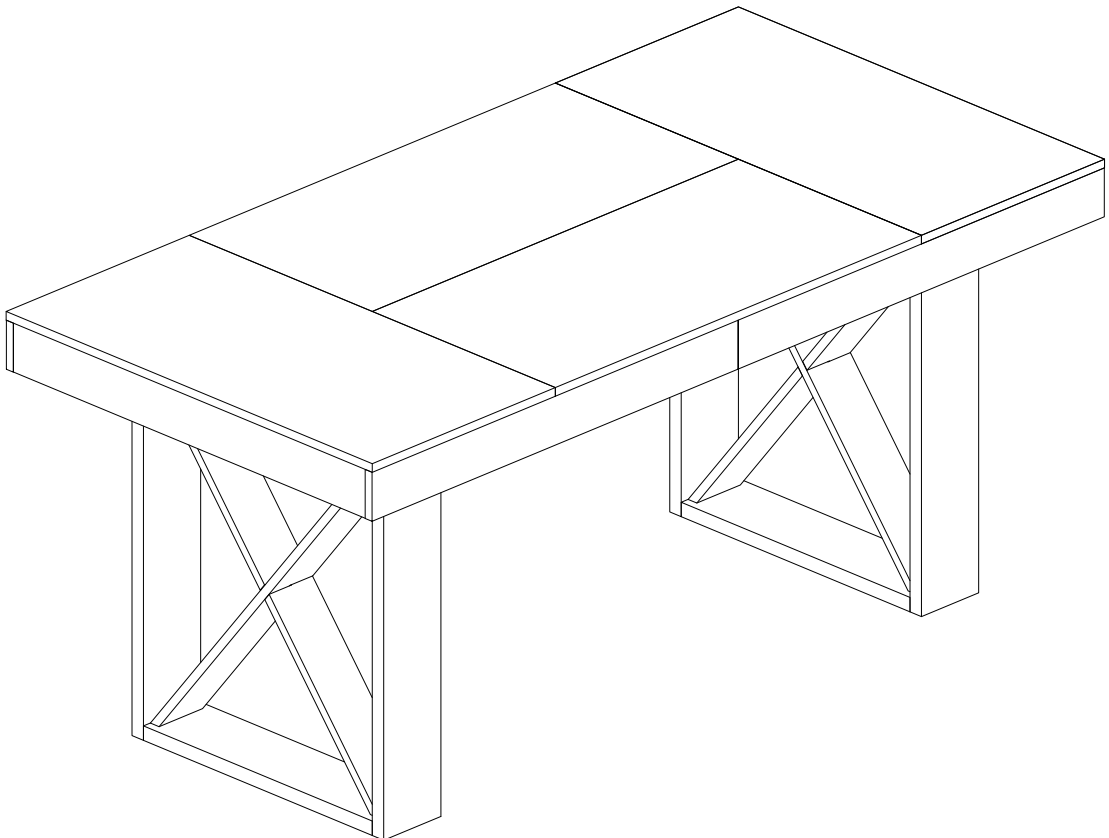


12



E	J
	
1 pc	M6x25mm 12 pcs

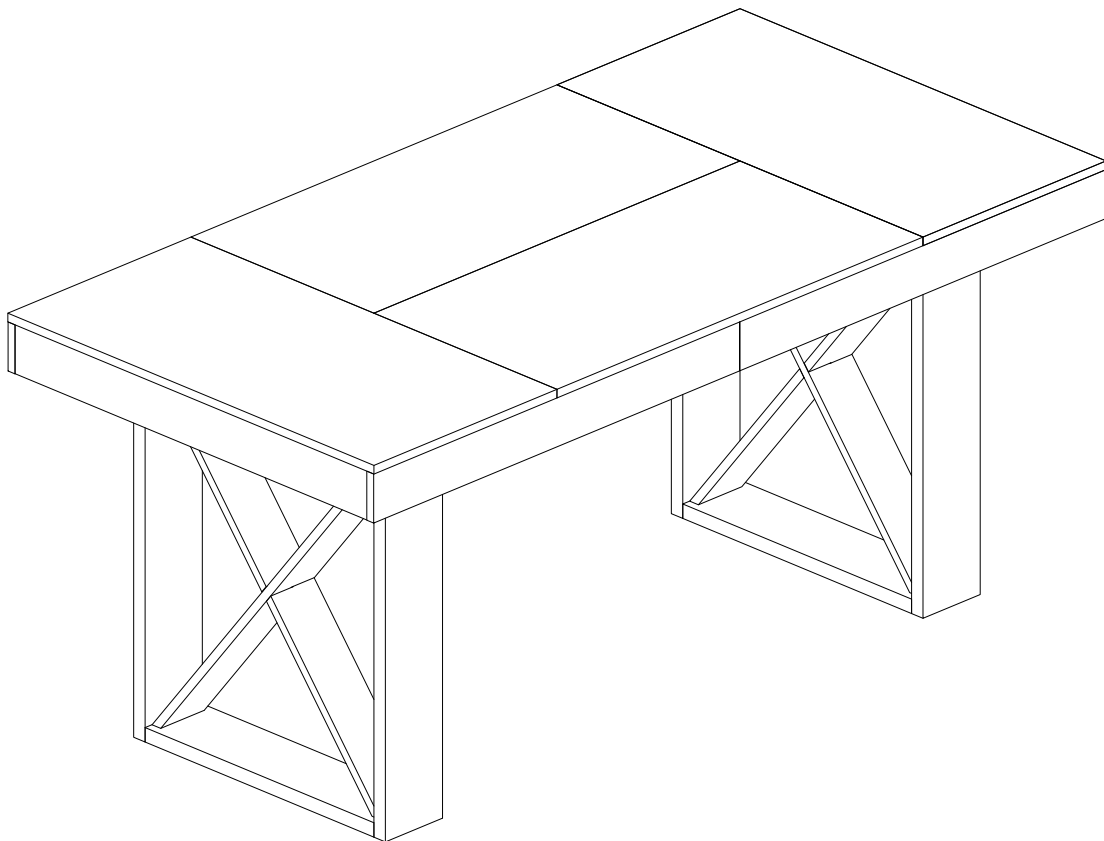
13





DESIGNED FOR LIFE

Thank you for your support !



Contact our customer service team



support@tribesigns.com
www.tribesigns.com



1-424-220-6888
7 AM to 8 PM EST,
Monday to Friday

Follow Tribesigns



Facebook



Instagram



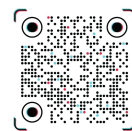
Pinterest



Twitter



YouTube



TikTok



WhatsApp