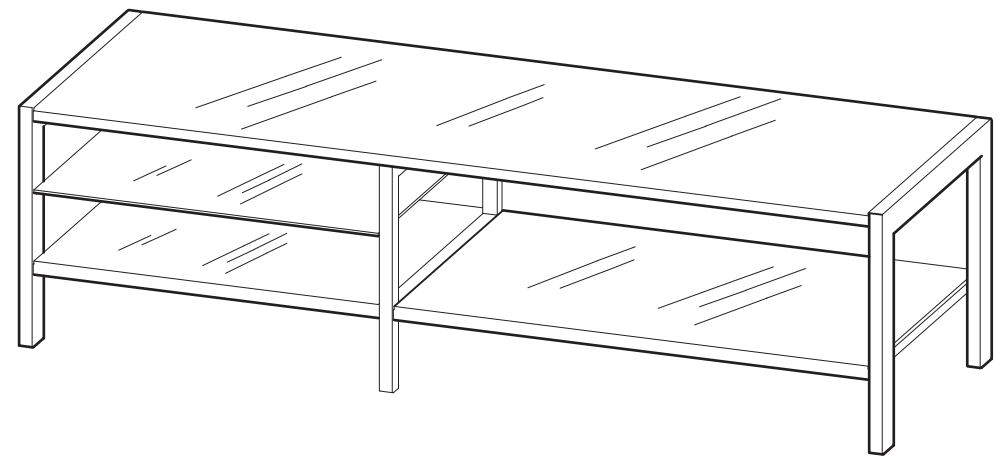
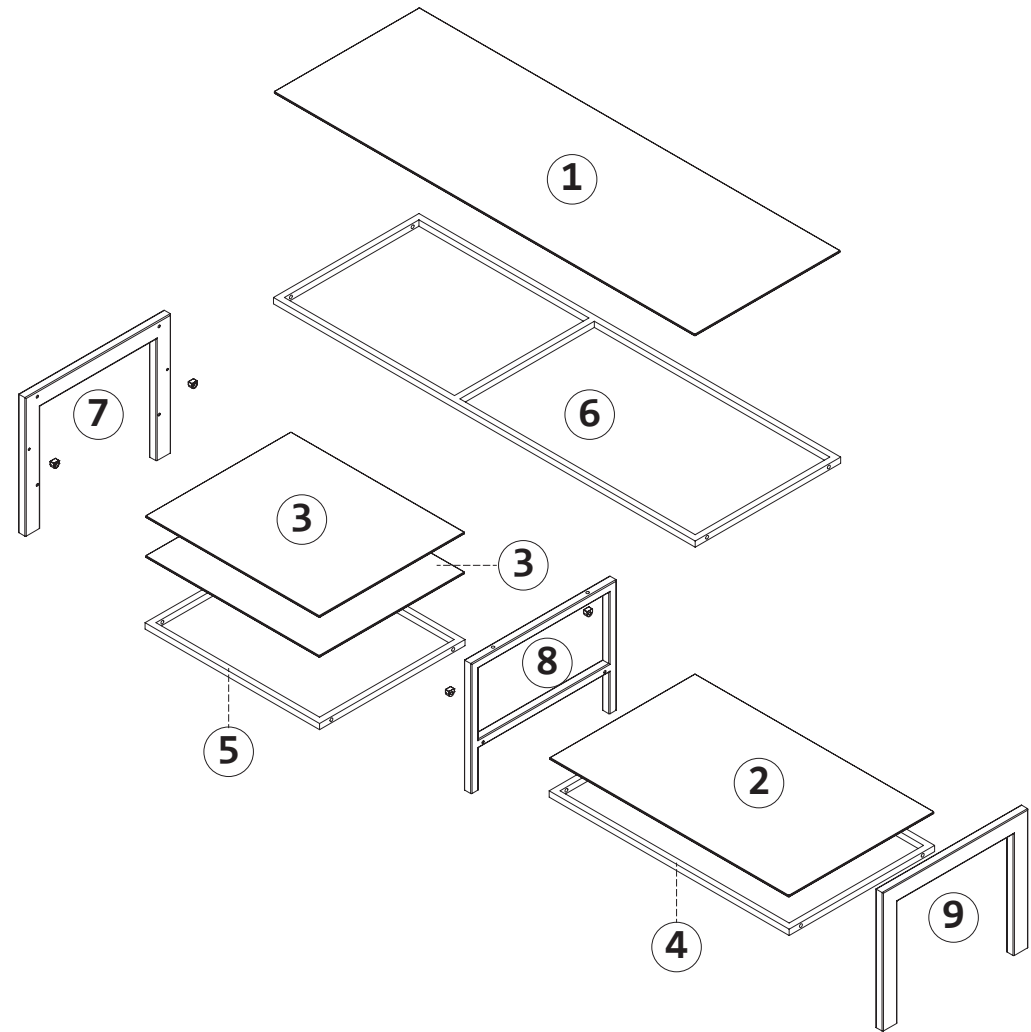
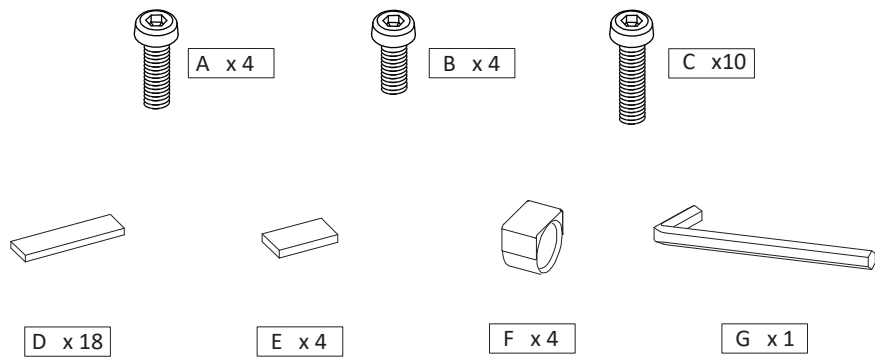
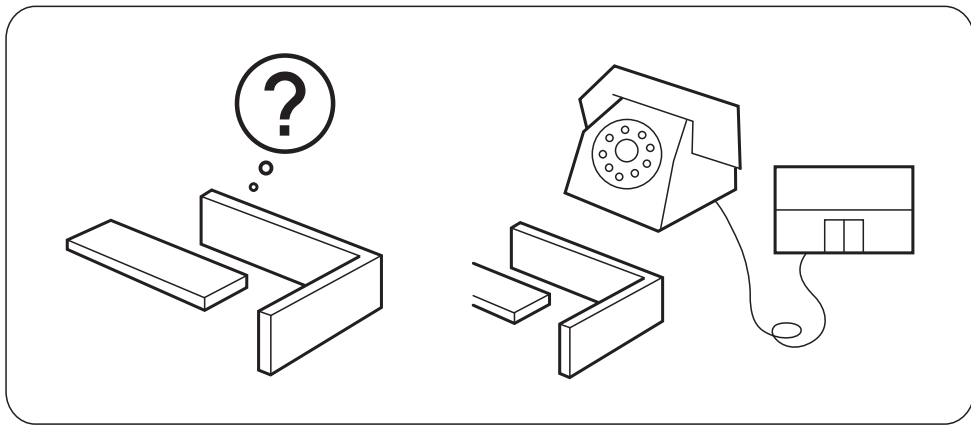


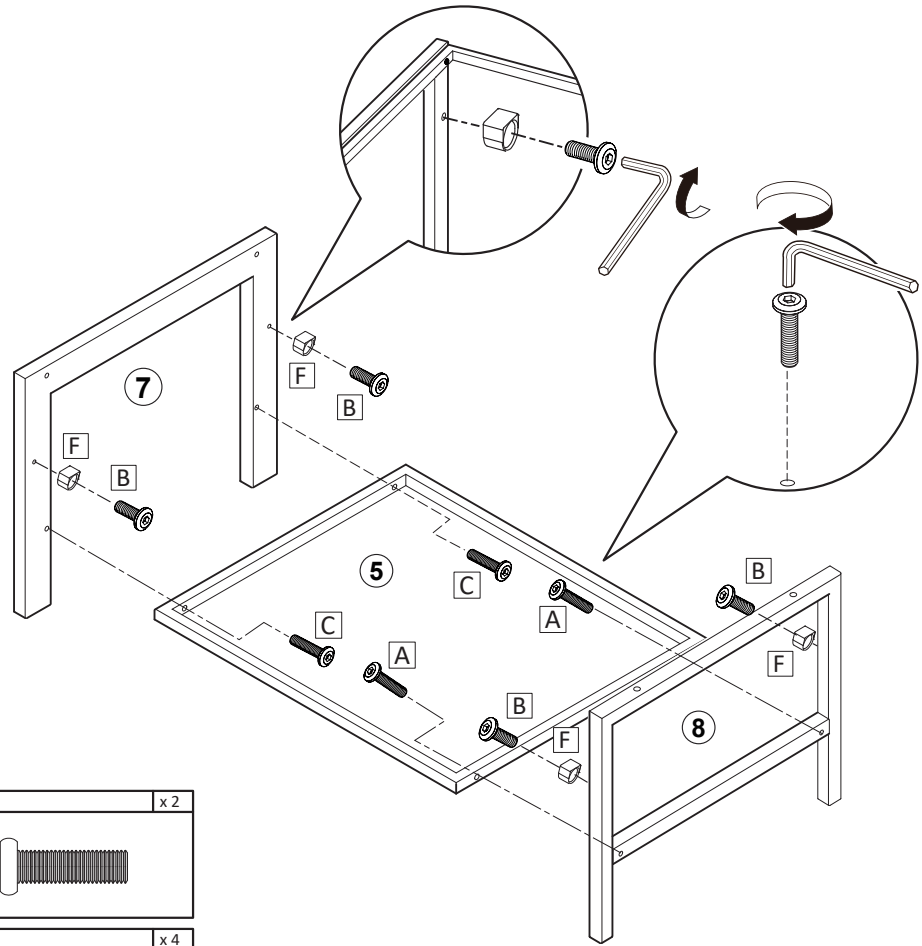
CBHOME

CB12240

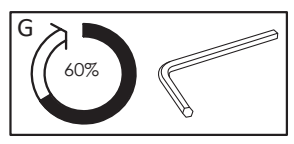




1



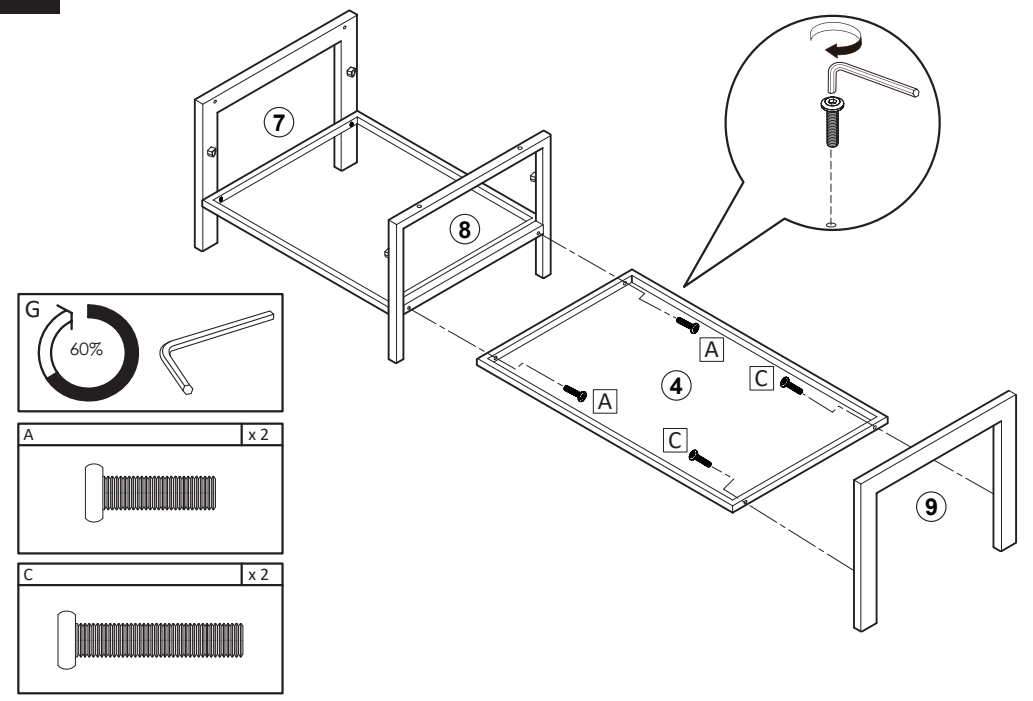
- A x 2
- B x 4
- C x 2
- F x 4
- G x 1



4

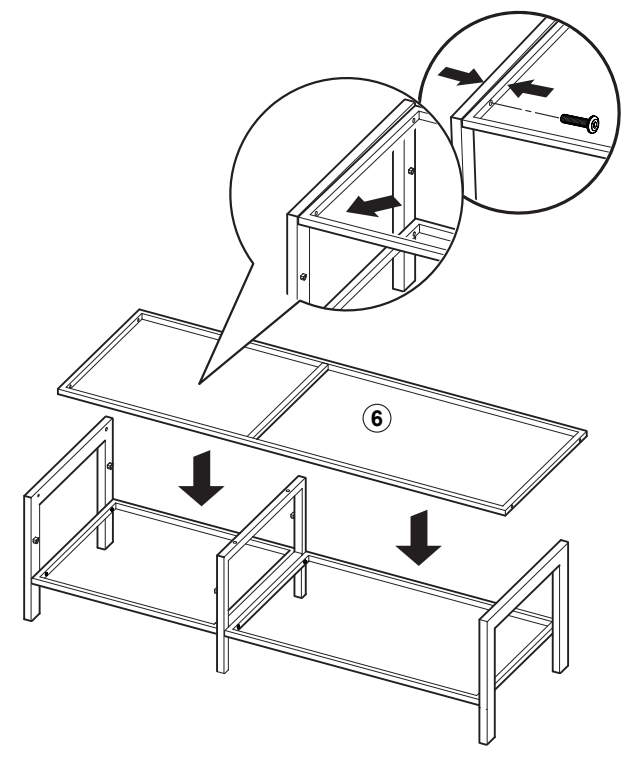
CB12240

2



- G 60%
- A x 2
- C x 2

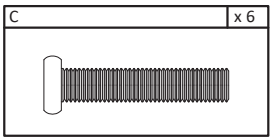
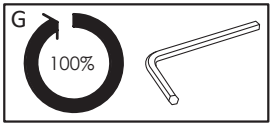
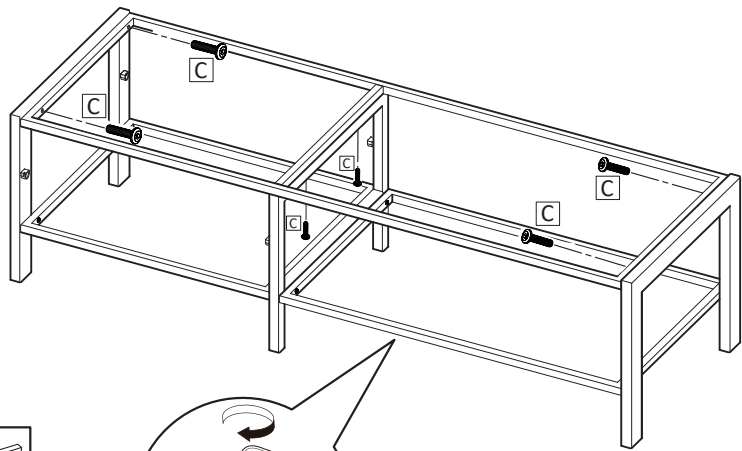
3



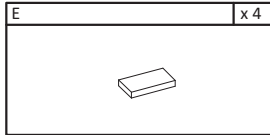
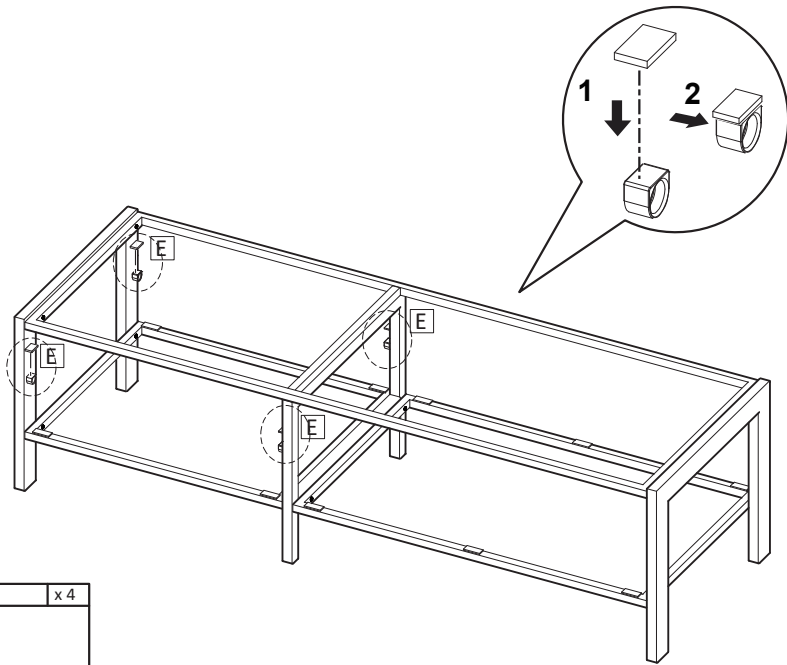
CB12240

5

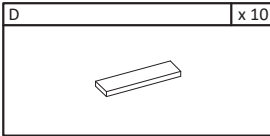
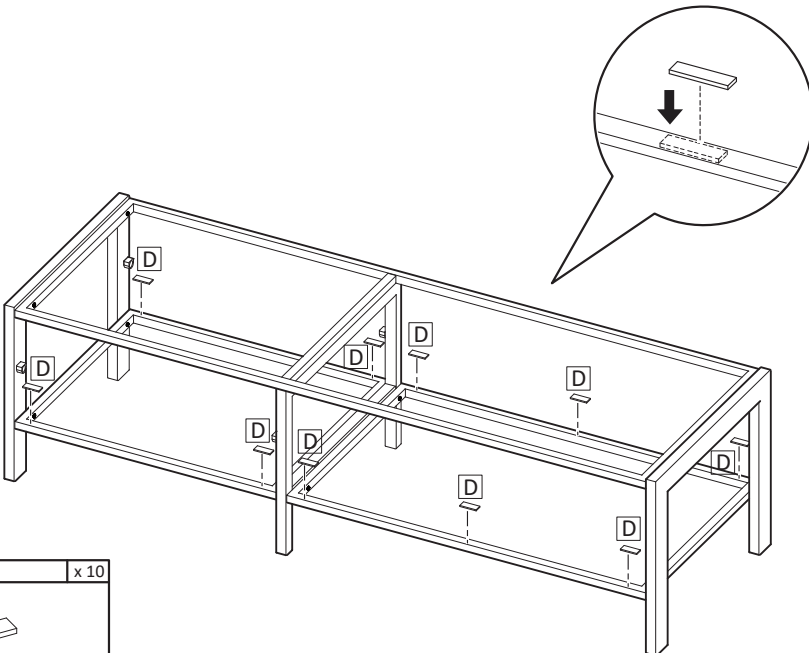
4



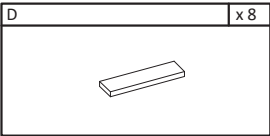
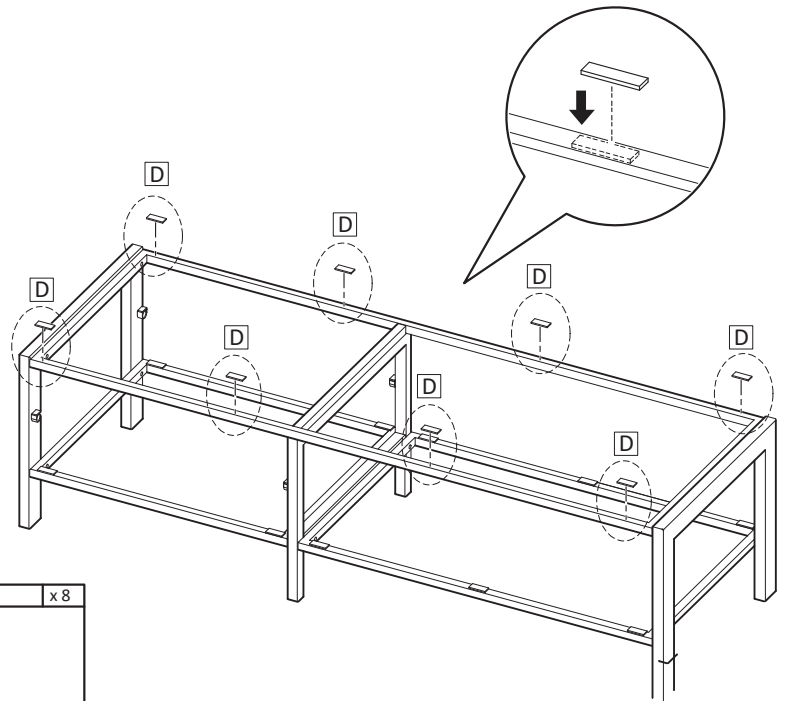
6



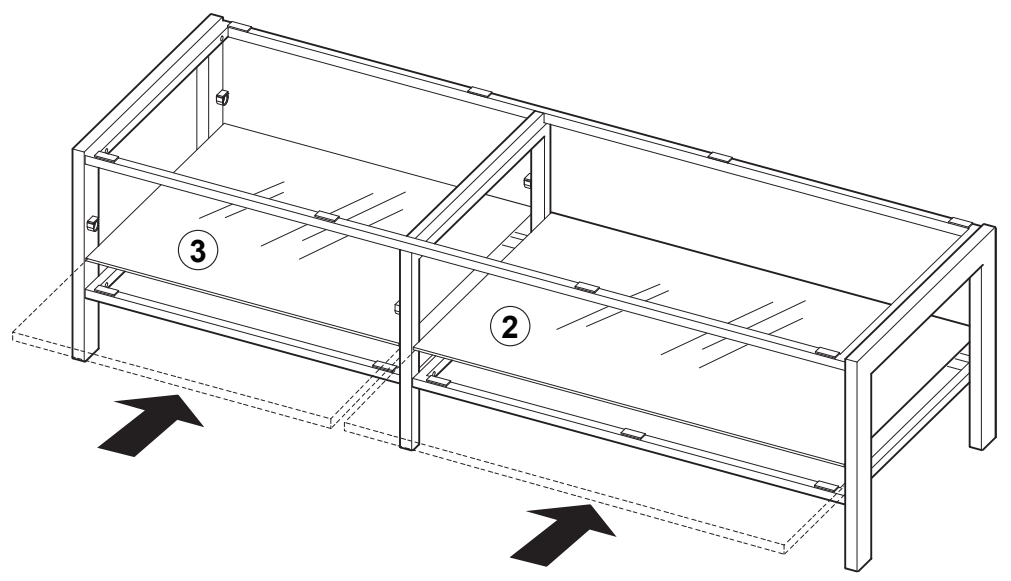
5



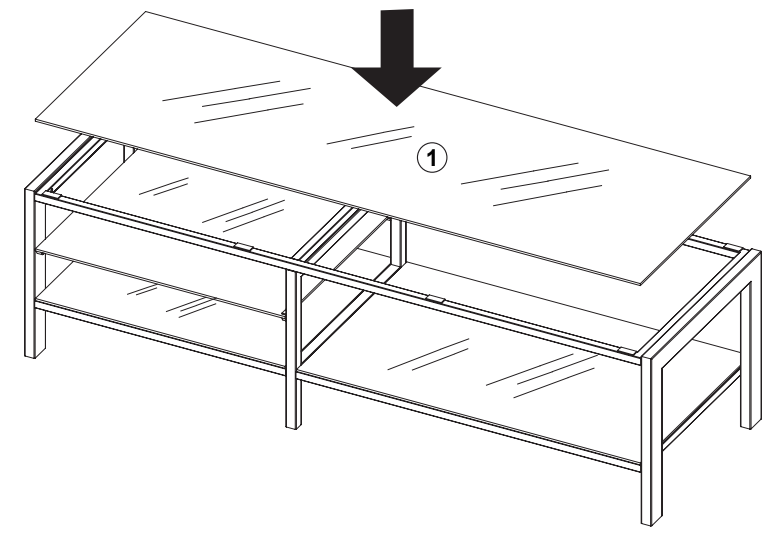
7



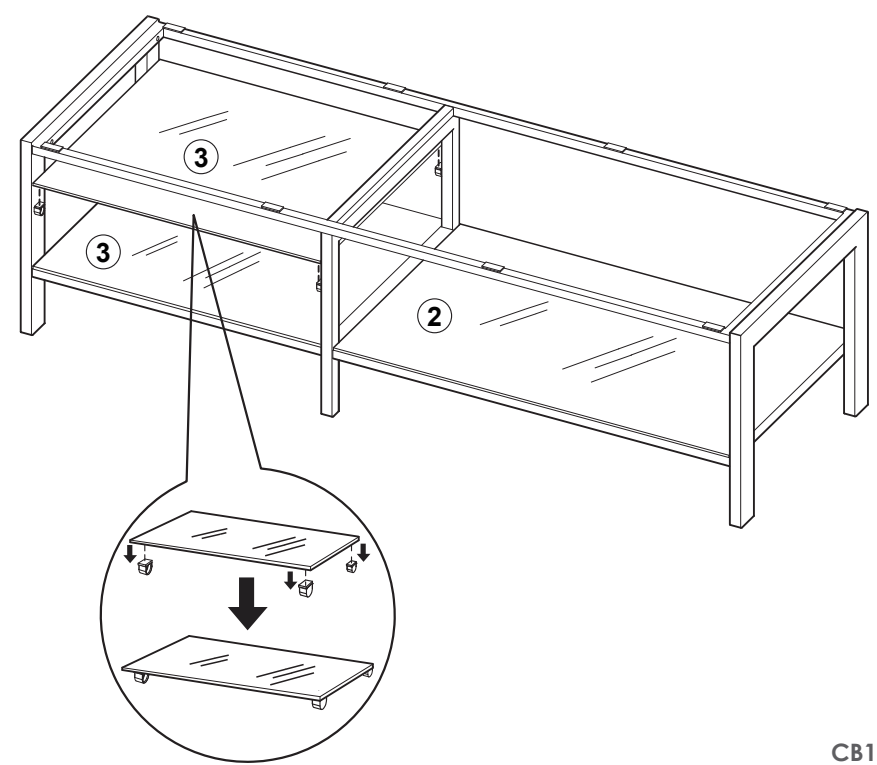
8



10



9



11

