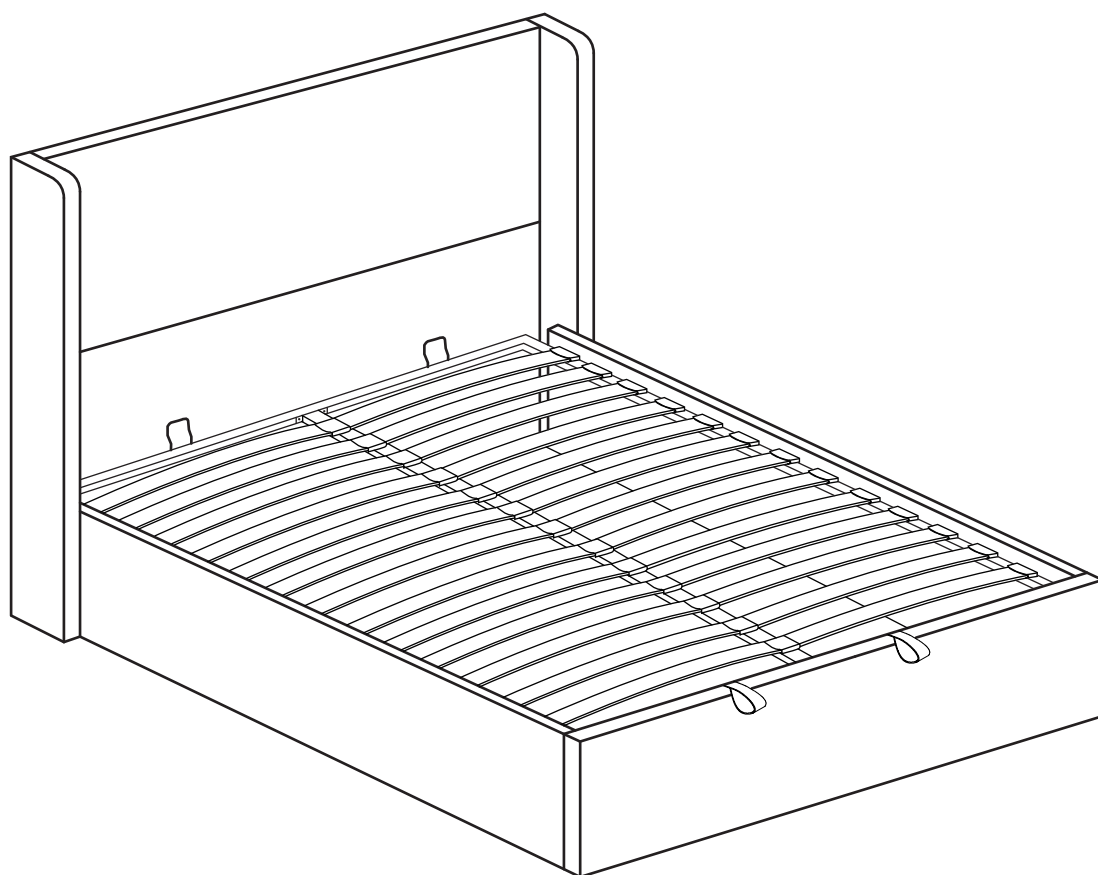
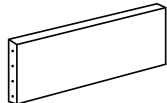
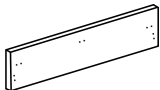
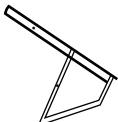
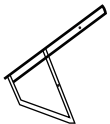

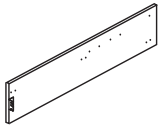
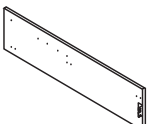





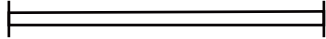


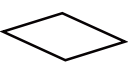
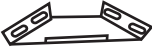
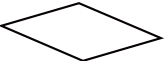


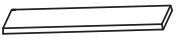


aykah

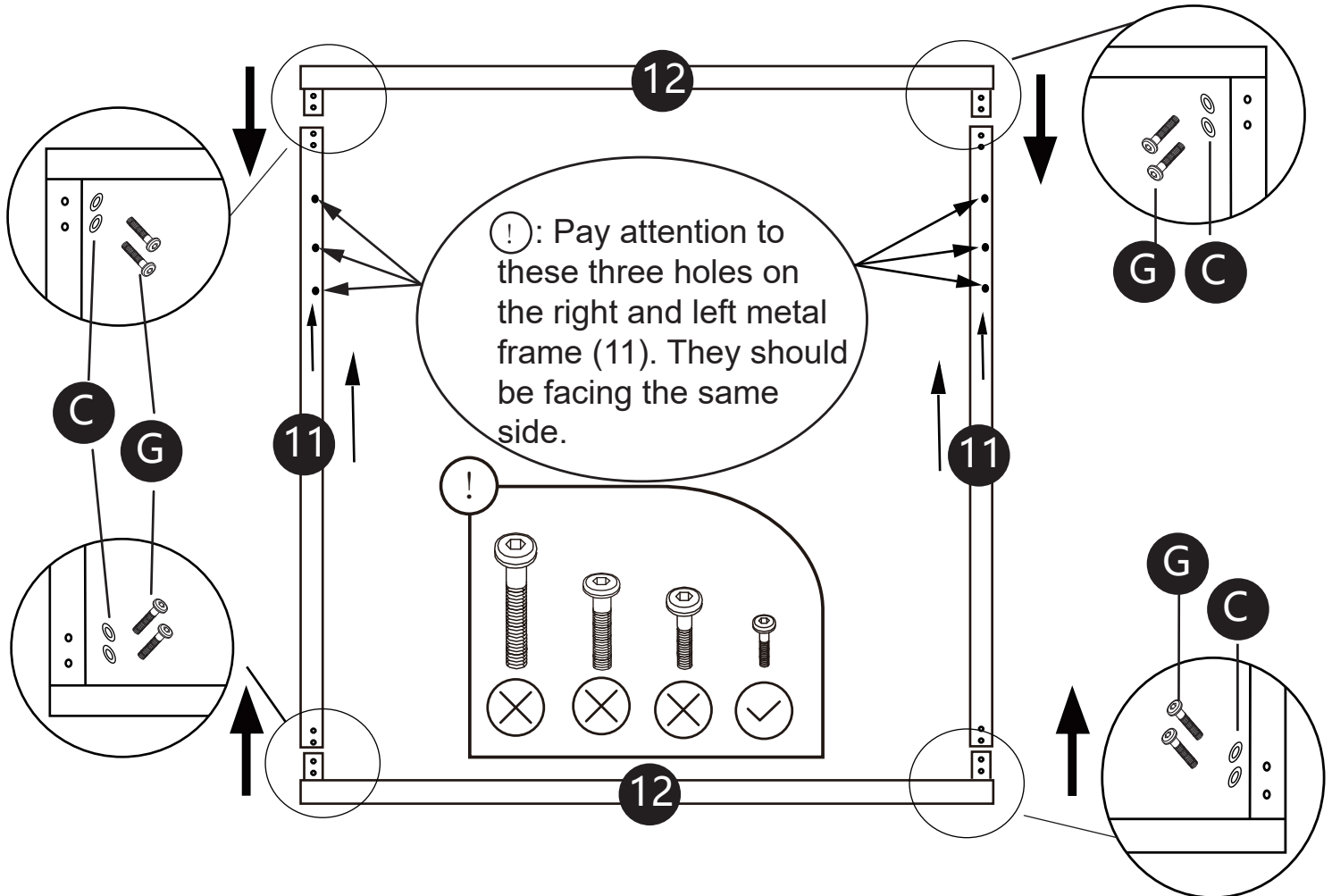
AURA ASSEMBLY SHEET



PARTS INVENTORY		
ID	DESCRIPTION	QTY
1	Headboard 	1
2	Footboard 	1
3	Left Hydraulic 	1
4	Right Hydraulic 	1
5	Gas Lift 	2
6	Left Side Rail 	1
7	Right Side Rail 	1
8	Wood Slat 	30
9	Single Close Ended Clip 	30
10	Double Open-Ended Clip 	15
11	Right and Left Metal Frame 	2

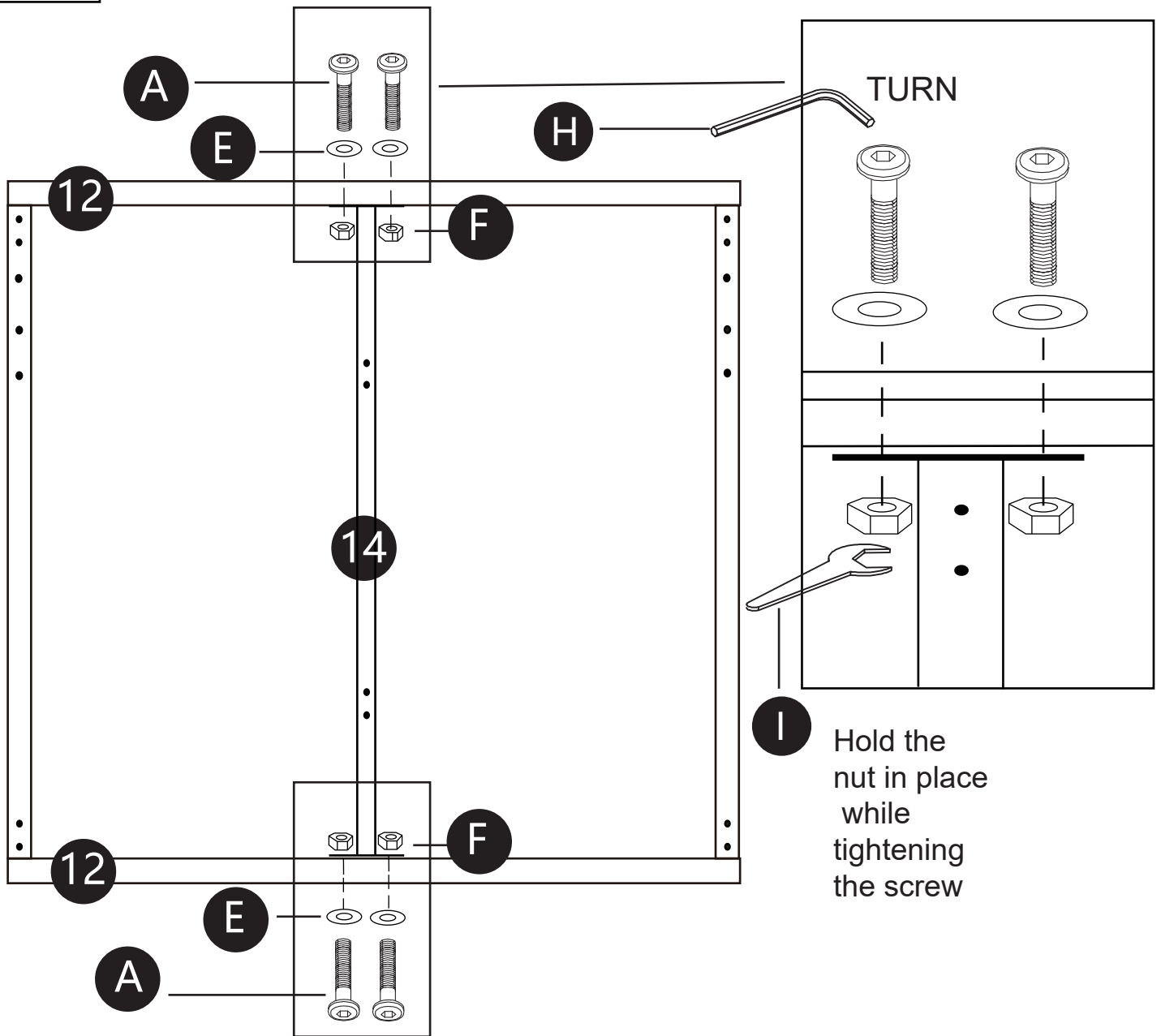
PARTS INVENTORY		
ID	DESCRIPTION	QTY
12	Up and Down Metal Frame 	2
13	Side Rail Connector 	2
14	Center Frame 	1
15	Center Floating Leg 	2
16	Headboard Back Non-woven Cloth 	1
17	Corner Bracket 	2
18	Bottom Non-woven Cloth 	1
19	Footboard Middle Bracket 	1
20	Left Headboard Wing 	1
21	Right Headboard Wing 	1

STEP 1

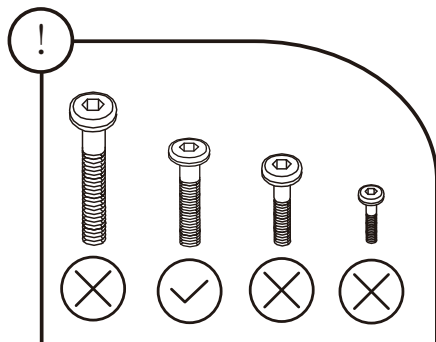


Step 1 : Attach parts 11 and 12 using hardware C and G.

STEP 2



I Hold the nut in place while tightening the screw

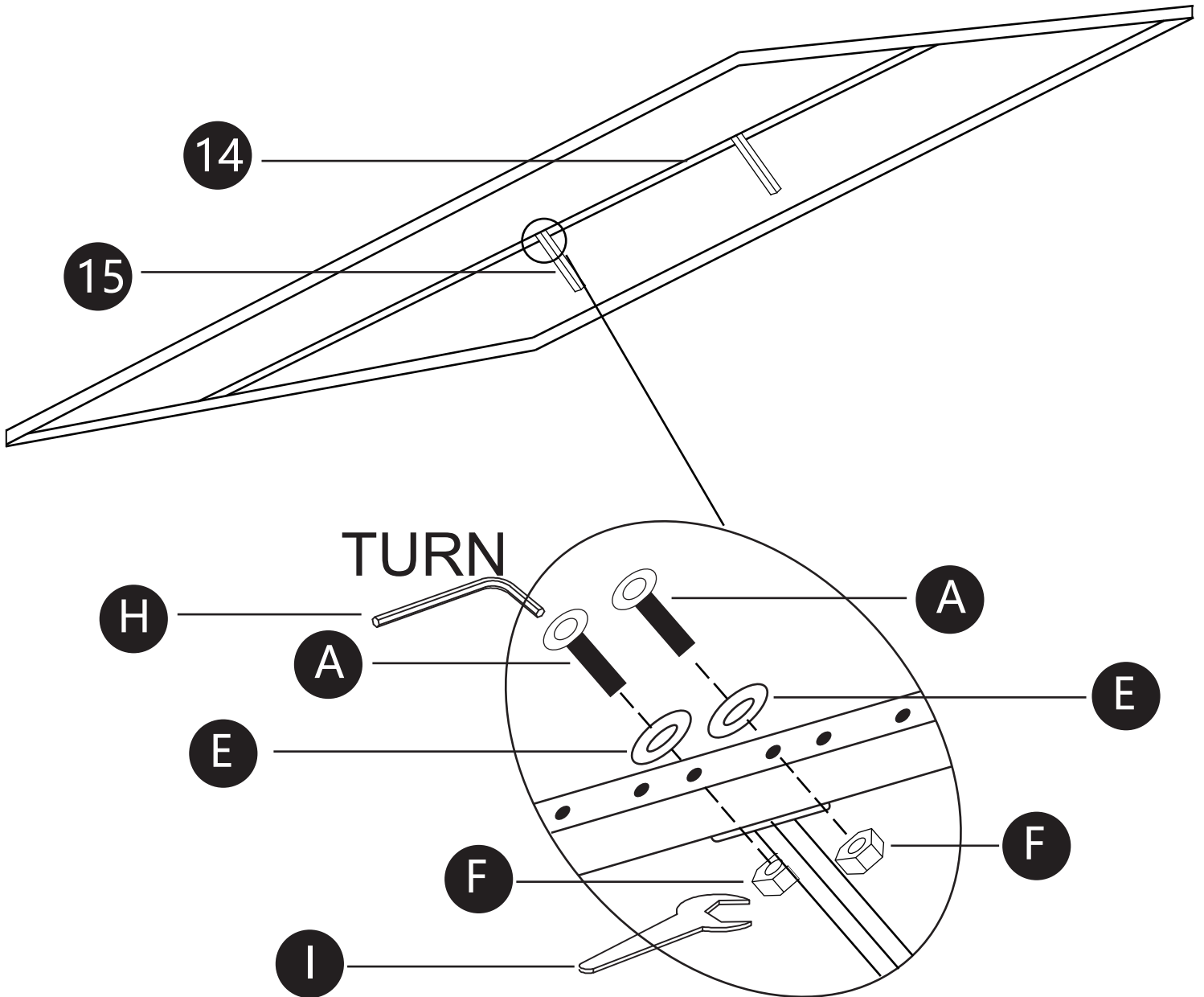


NOTE: Pay attention to the metal bars—they should be facing the right way up.

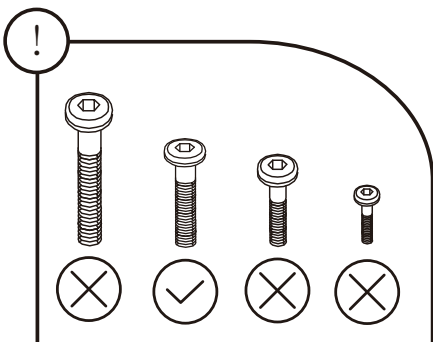
Step 2 : Attach part 14 to both sides of part 12, using hardware A, E and F.

STEP 3

step 3: Flip the metal frame so the side with multiple holes is facing up. Align and attach the support legs (15) to part (14) using hardware A, E, and F, as shown in the photo.

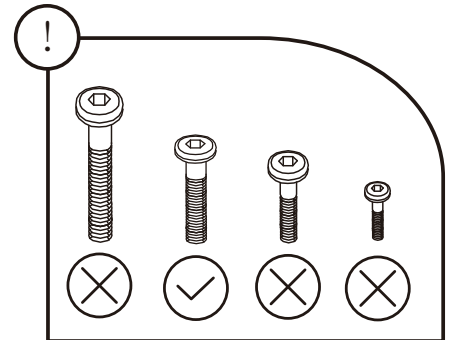
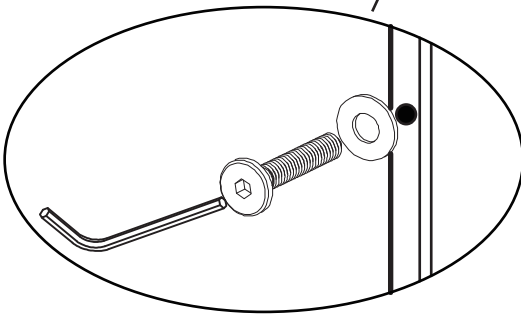
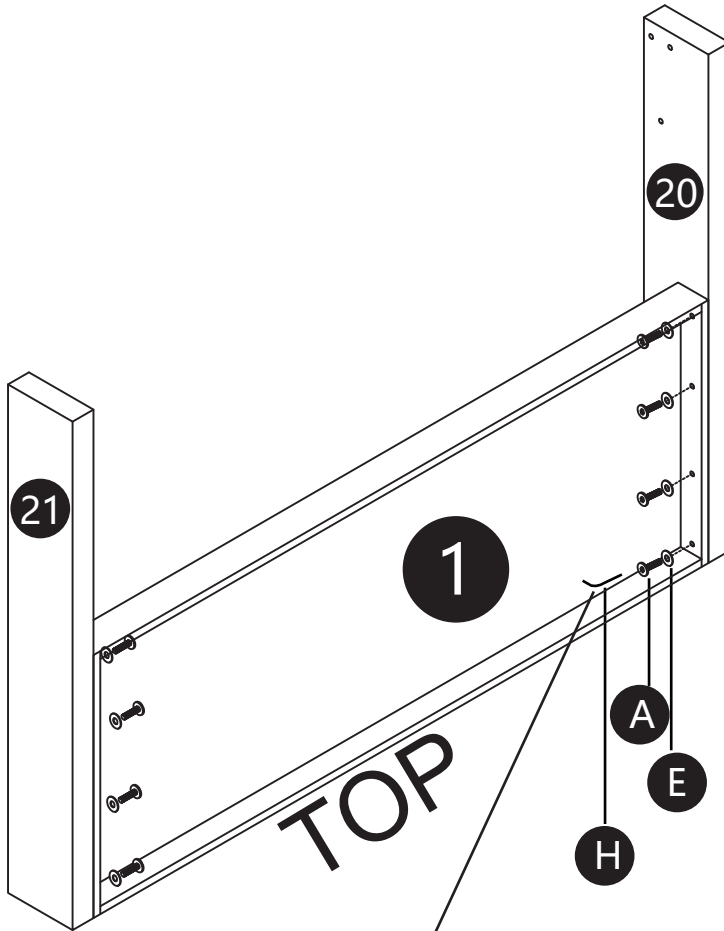


Hold the nut in place while tightening the screw



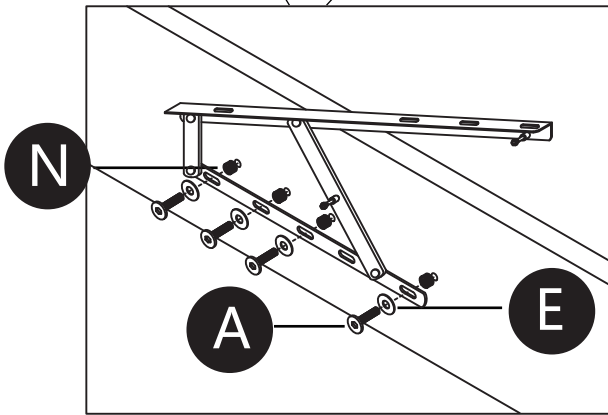
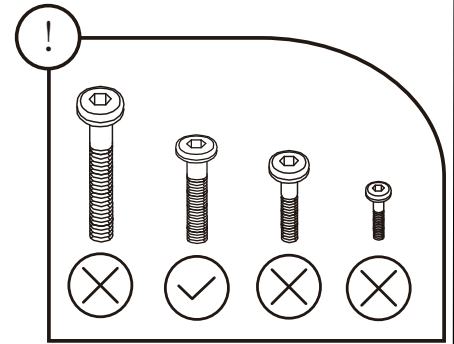
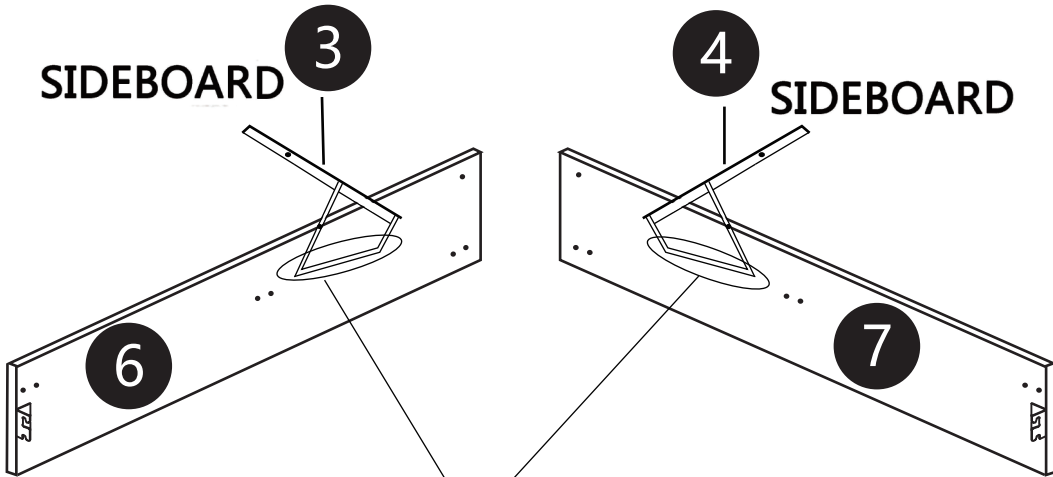
Once the frame has been assembled keep it aside. We will be using it again in Step 13.

STEP 4



Step 4: Attach wings 20 and 21 to the headboard using hardware parts H, A and E.

STEP 5

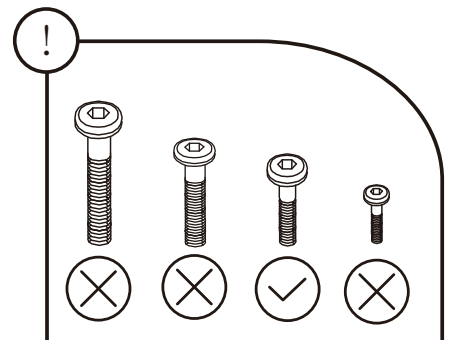
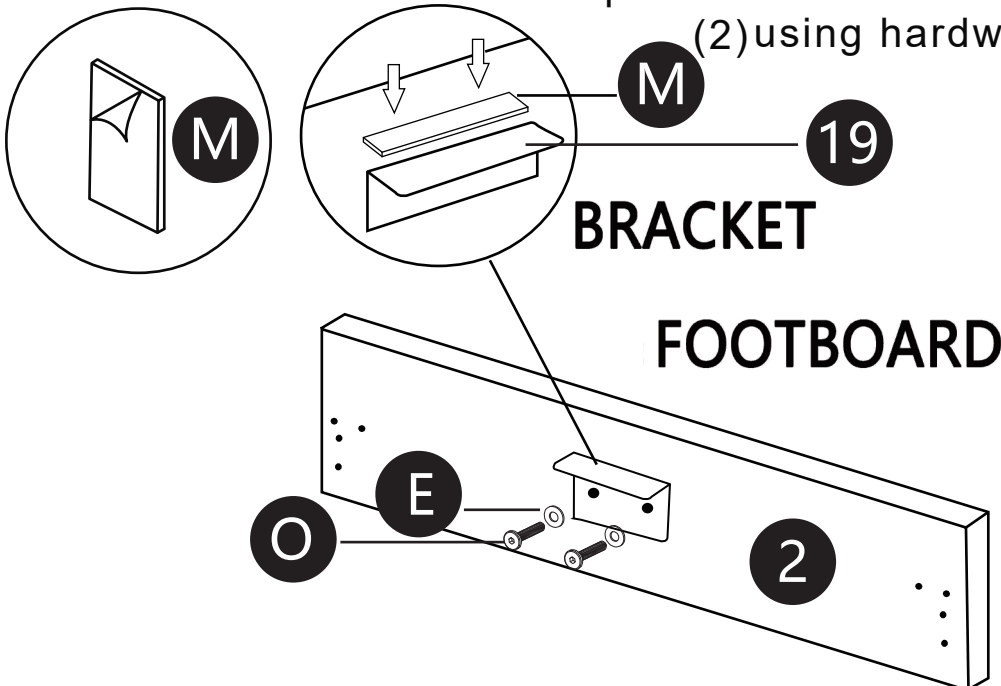


Step 5: Attach the gas lift mechanism (3 and 4) to the side rails 6 and 7 using hardware N, E and A.

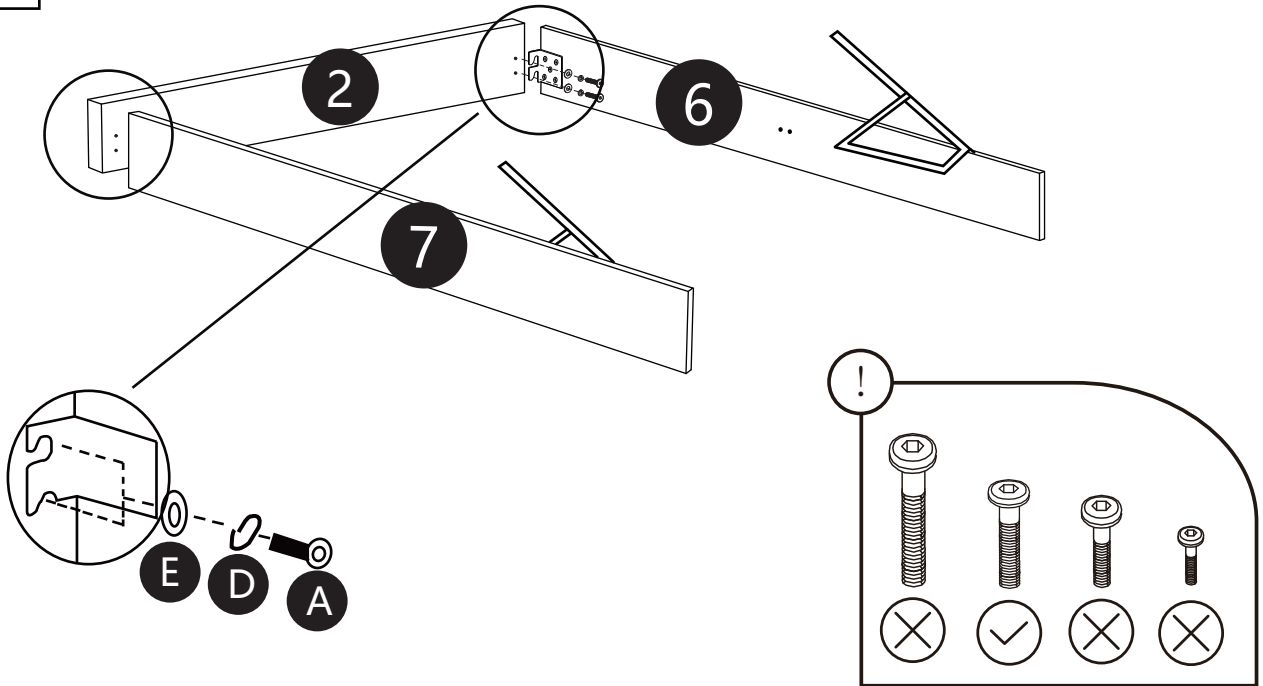
STEP 6

! stick the felt(M) on top of the bracket

Step 6: Attach bracket (19) to footboard (2) using hardware O and E.

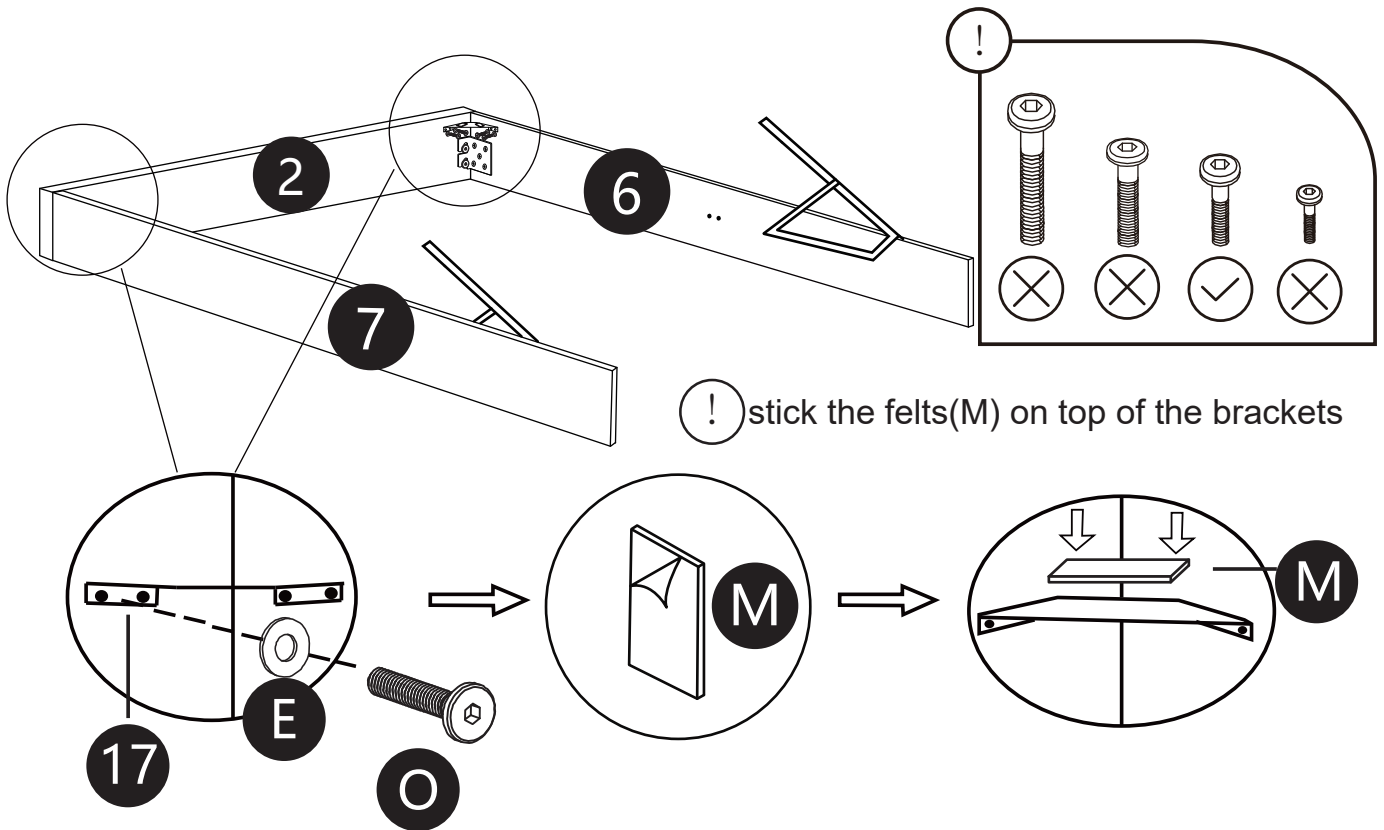


STEP 7



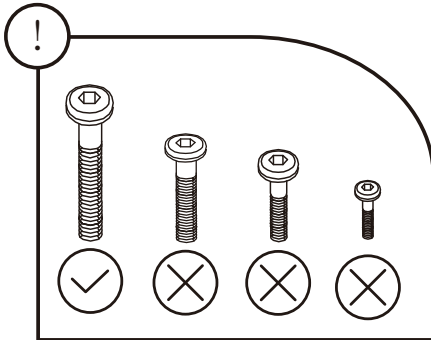
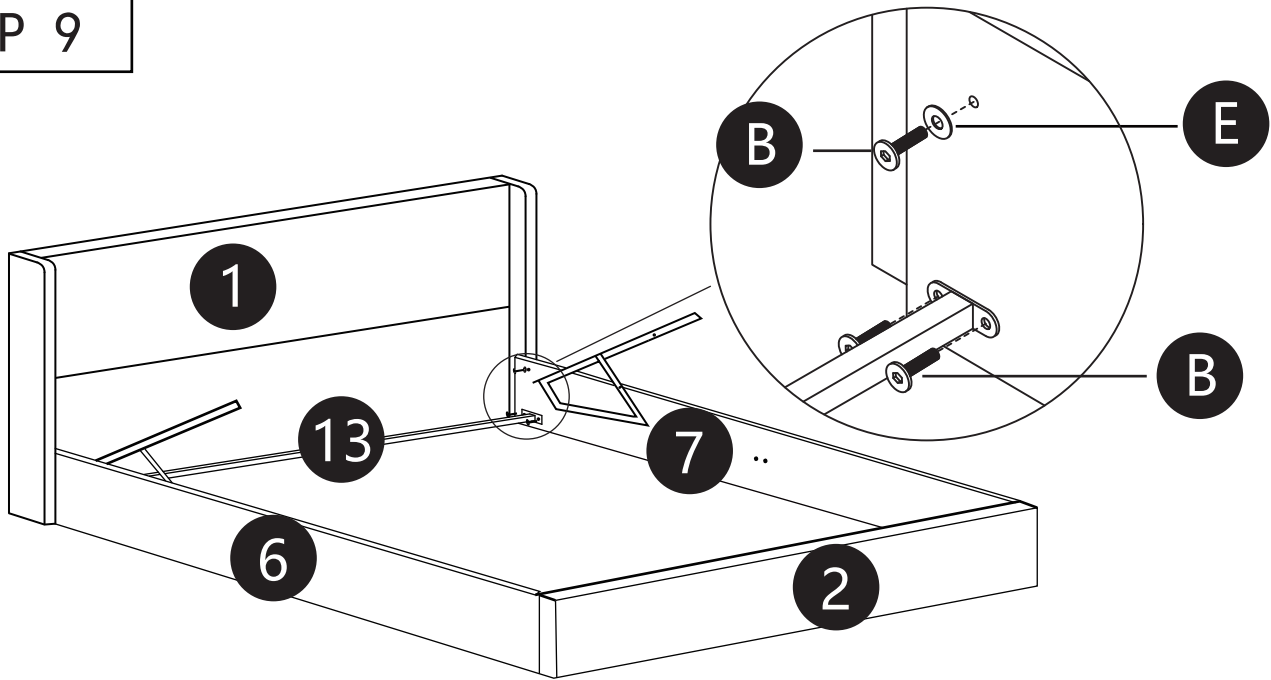
Step 7: Attach the side rails (6 and 7) to the footboard (2), using hardware E, D and A.

STEP 8



Step 8: Attach the corner brackets (17) to connect the side rails (6 and 7) to the footboard (2), using hardware E and O .

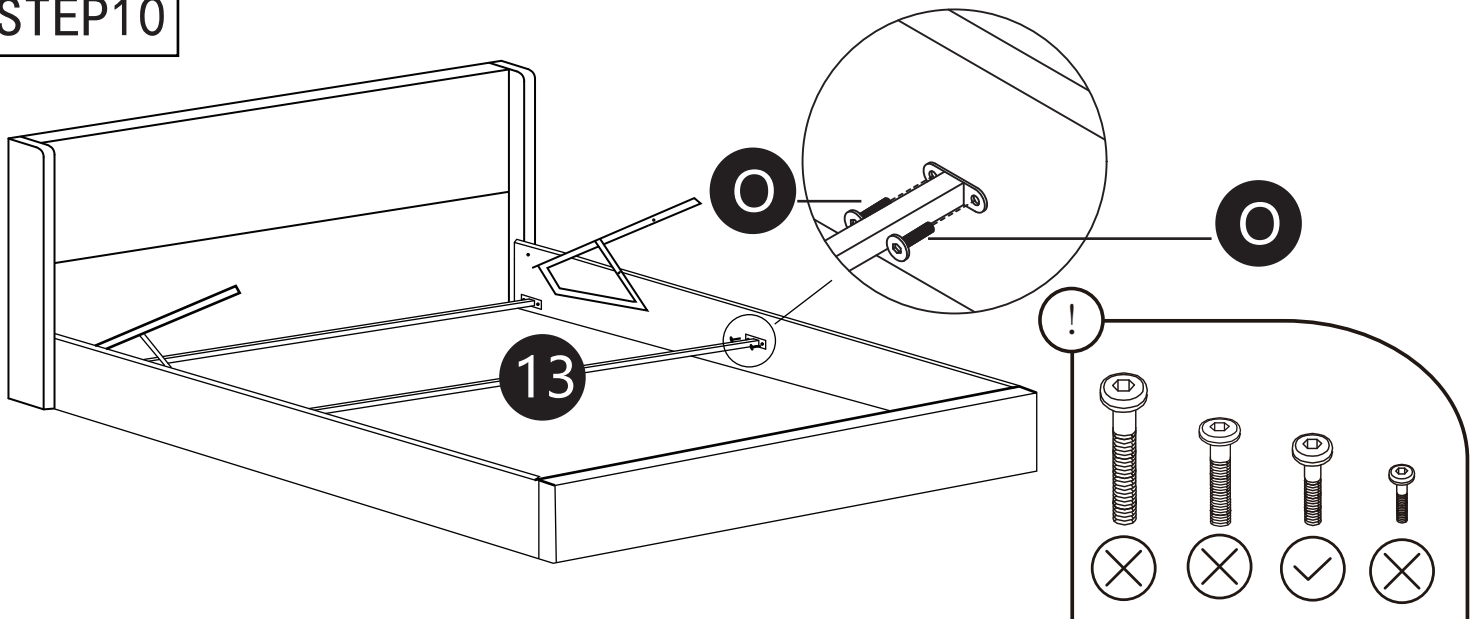
STEP 9



NOTE: Lift the sideboard slightly to align the holes with the headboard.

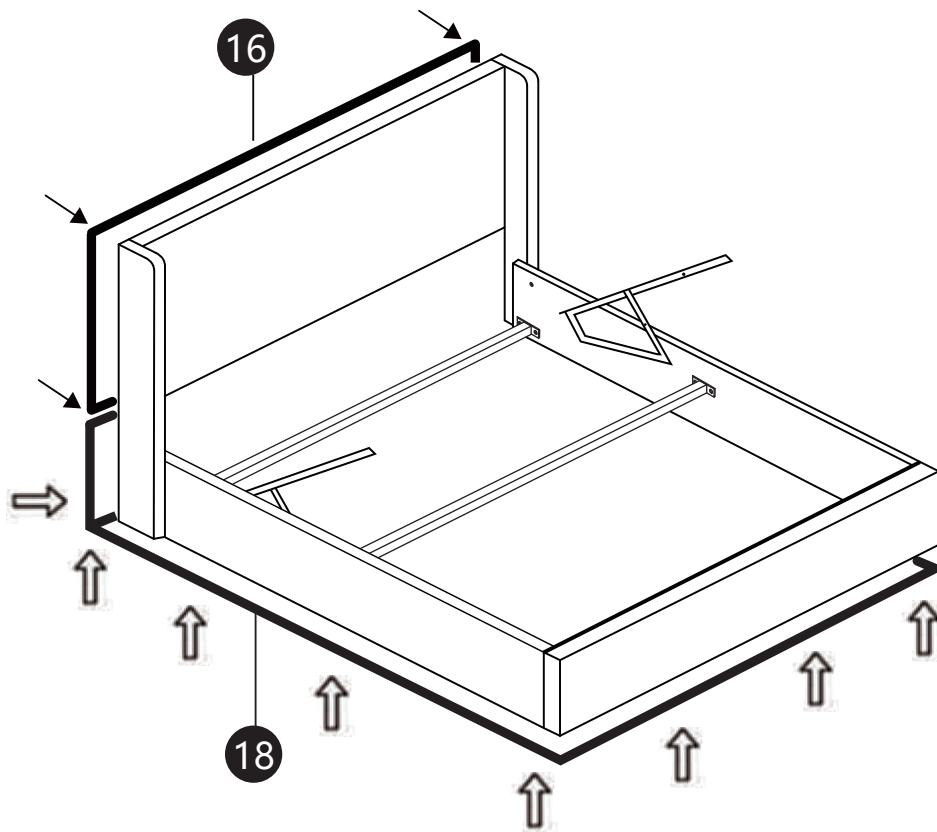
Step 9: Attach side rail connector (13) to the side rails (6 and 7) and headboard (1) using parts B and E.

STEP 10

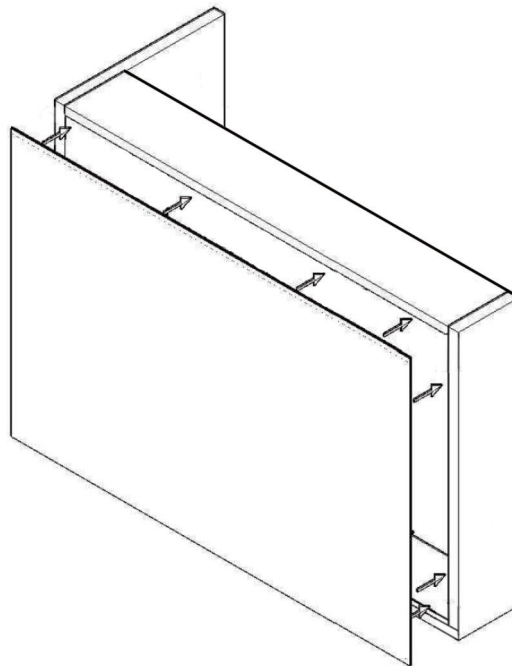


Step 10: Attach the second side rail connector (13) to the centre of both side rails (6 and 7) using hardware O.

STEP 11



NOTE: part 18 cloth will be attached underneath the headboard.

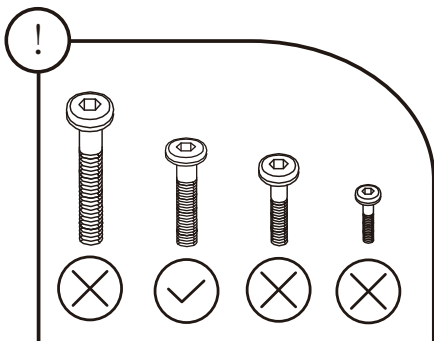
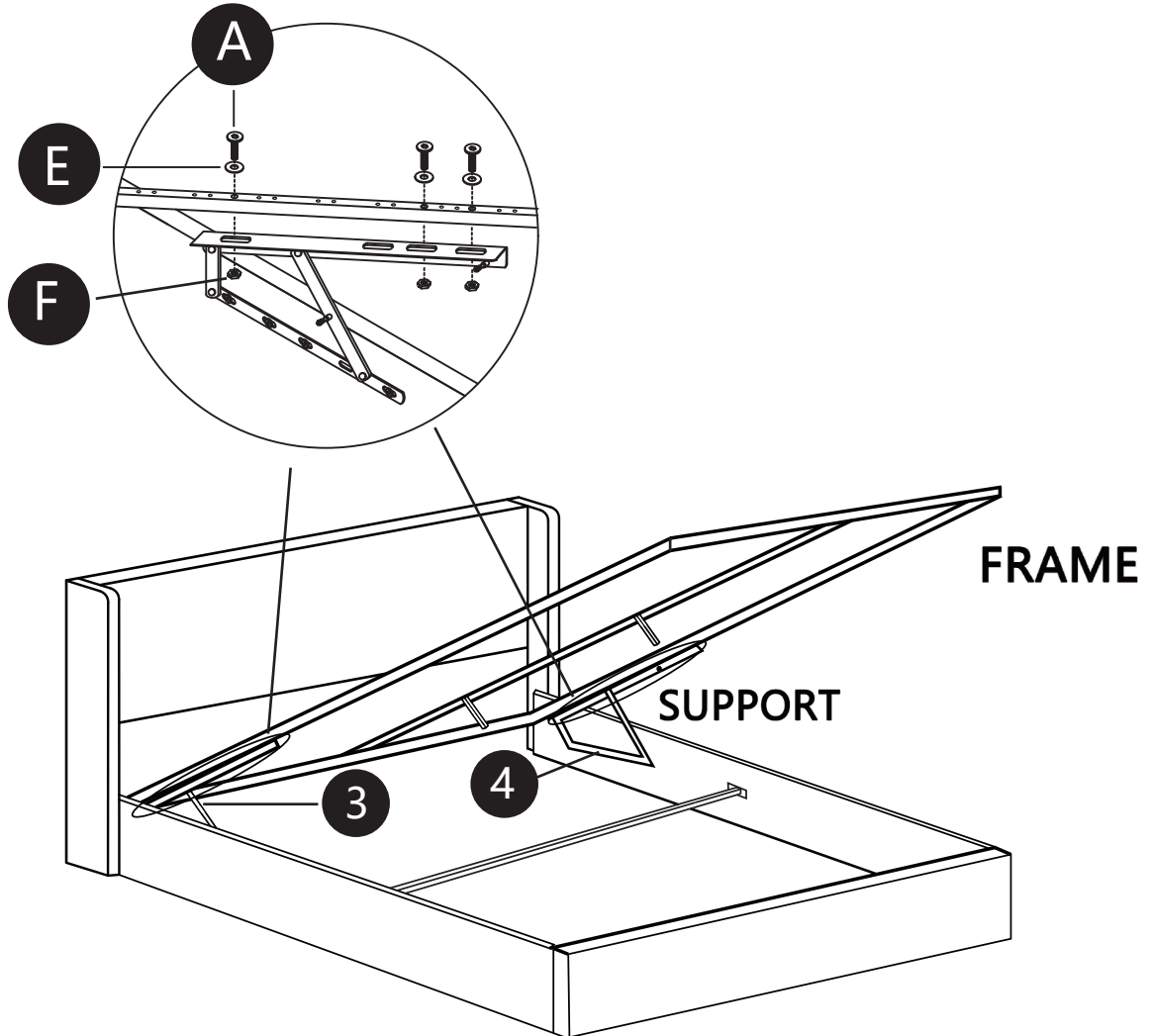


Step 11a : Attach the non-woven fabric (18) to the bed. Start from the bottom of the bed and go halfway behind the headboard.

Step 11b : Attach the non-woven fabric (16) to the back of the headboard.

STEP 12a

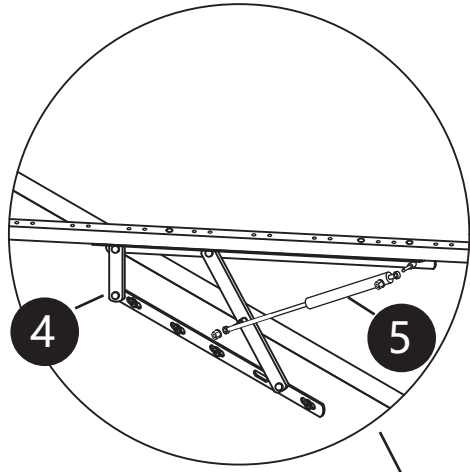
Step 12a: Attach the frame that you built in the previous steps to the gas lift mechanism at a 45° angle (meaning it should be slanted as shown in the picture) using hardware A, E and F.



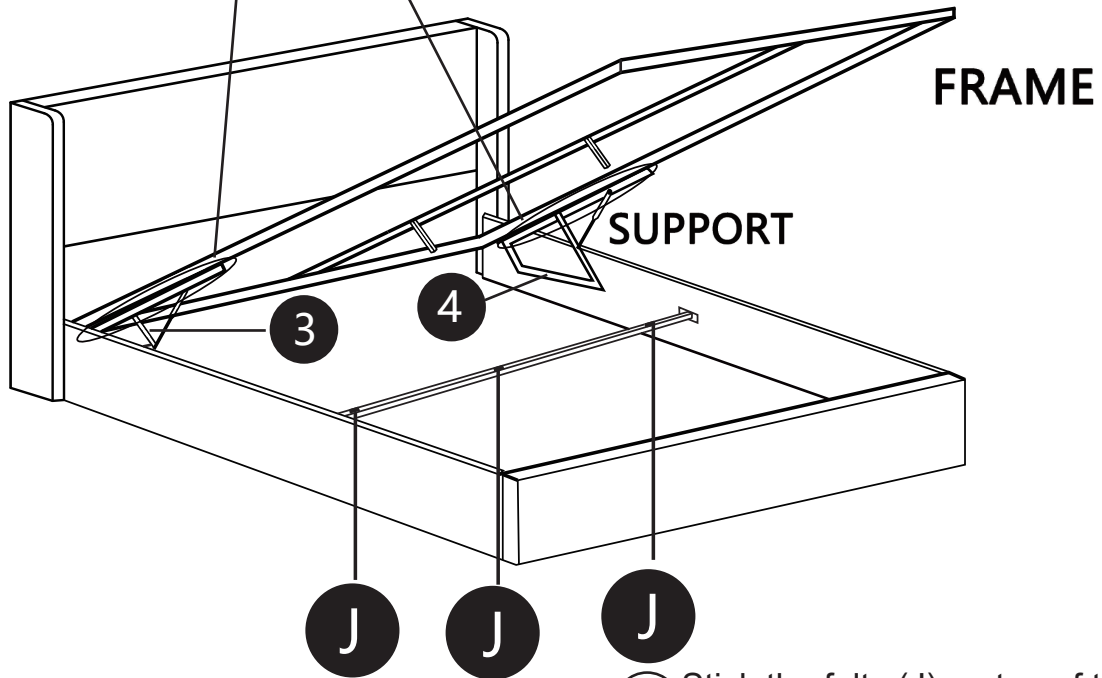
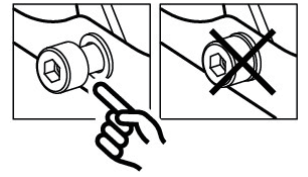
If you're unsure which three holes to use to connect the metal frame, please check the back of the metal tube (part 11) — you will see the three holes visible there.

STEP 12b

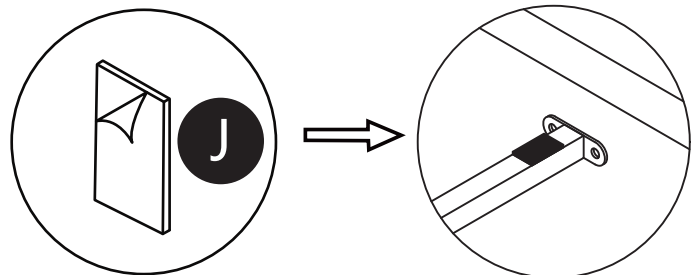
Unscrew the nut on the left and right hydraulics (3 and 4) and attach the gas lifts (5). Screw the nut back on.



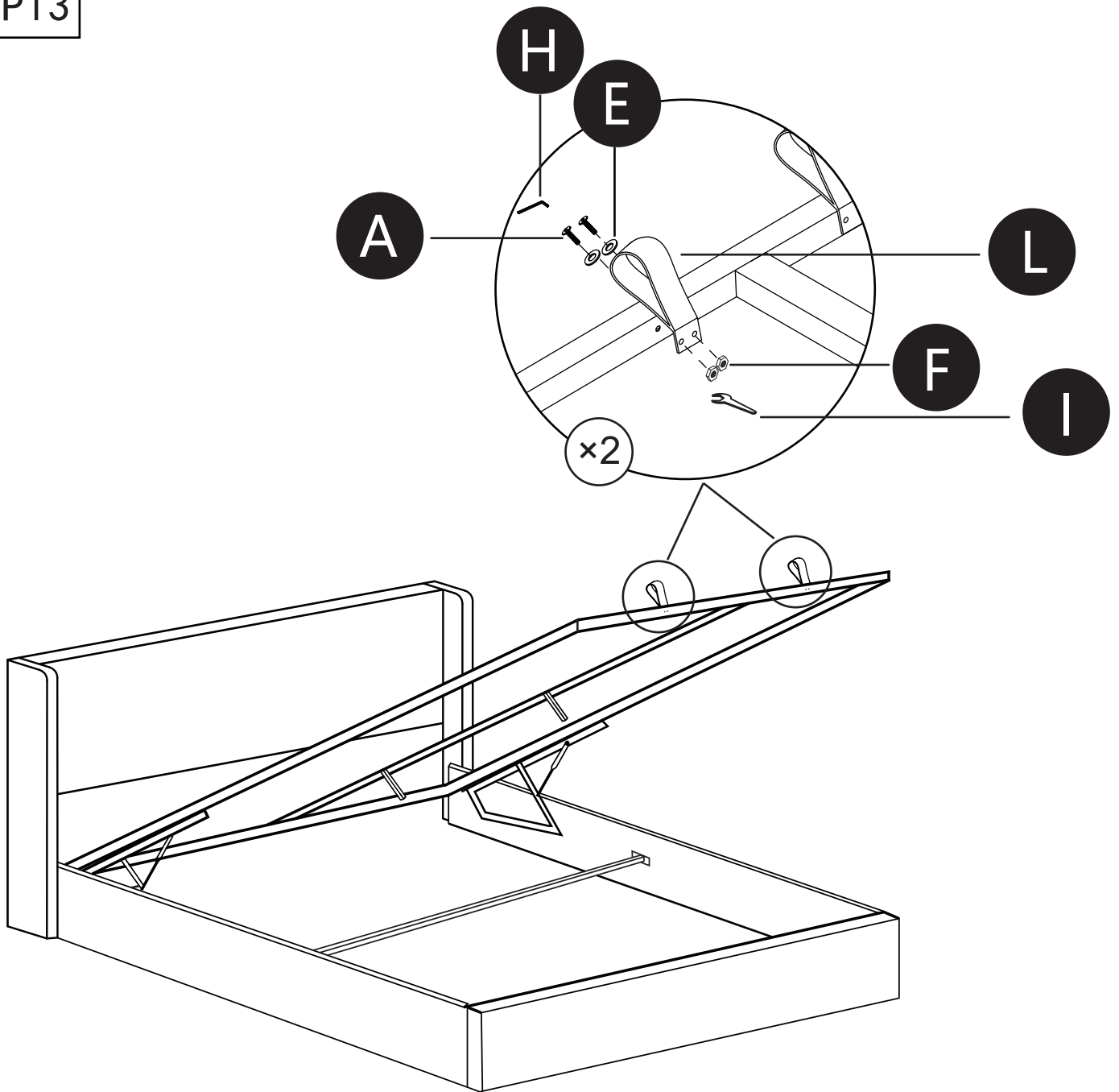
The nut should only be tightened by hand and will not go all the way in. No tools needed.



! Stick the felts (J) on top of the metal bar. Align the felts with the frame bars.



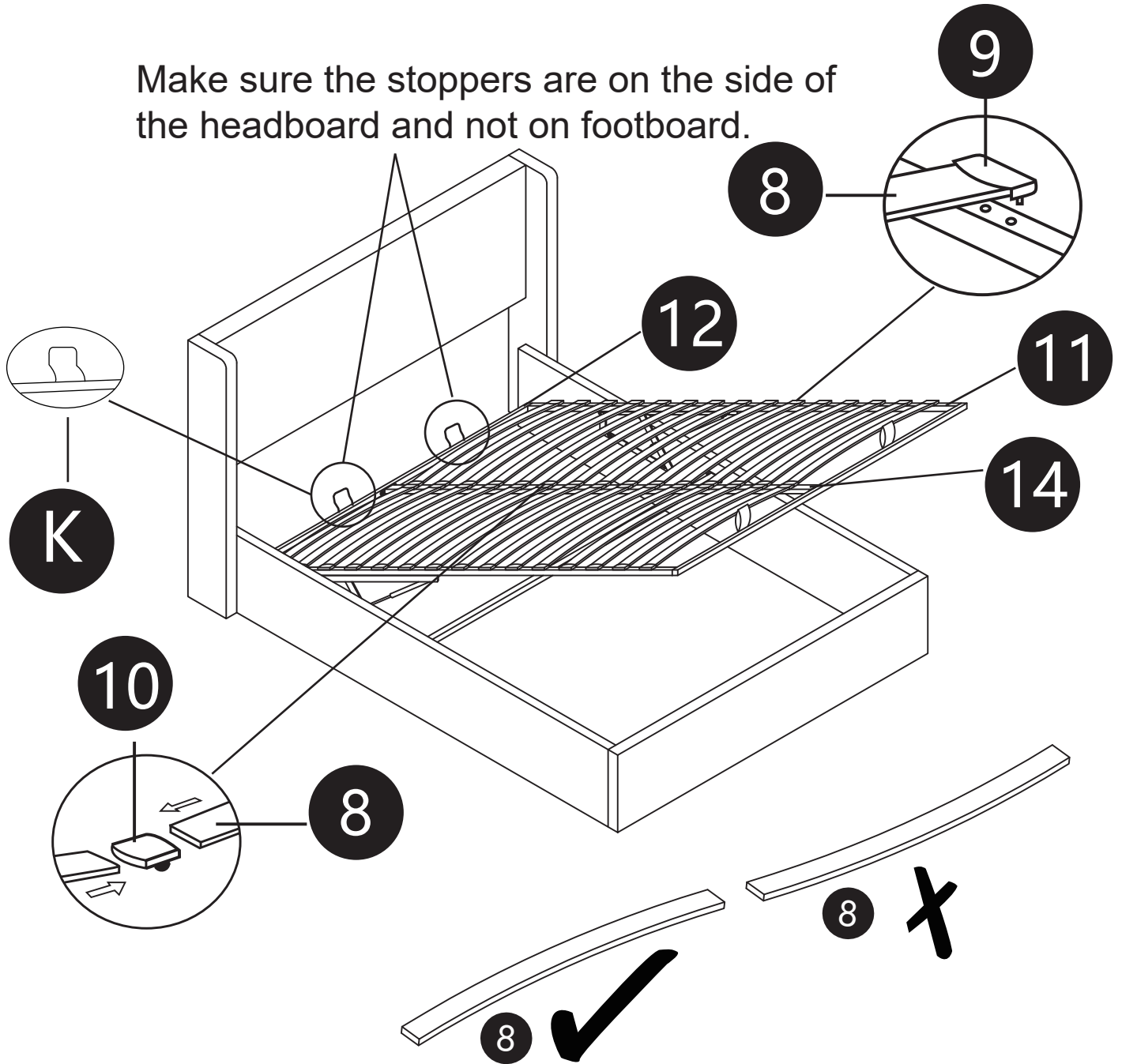
STEP 13



Step 13: Attach the gas lift ribbons (L) to the metal frame (12) using parts A, E and F. Use part I to hold bolts F in place and use part H (allen key) to tighten the screws.

STEP14

Make sure the stoppers are on the side of the headboard and not on footboard.



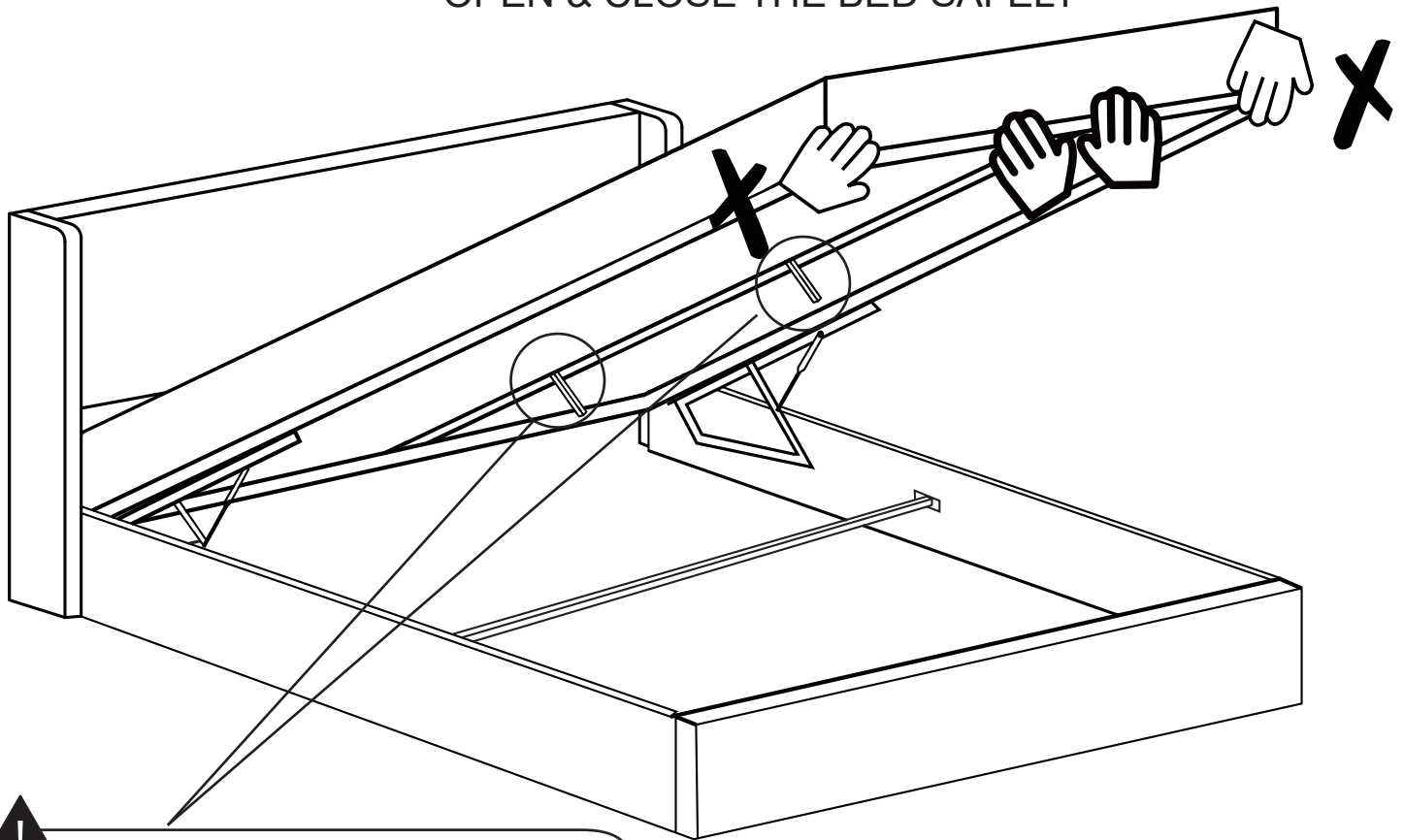
Step 14(a): Attach the slats (8) to the plastic clips and insert them into the holes of the metal bars (11 and 14). Clips open from both sides (10) will be attached to the middle bar (14), and clips open from one side (9) will be attached to the side bars (11).

Step 14(b): Attach the mattress stoppers part K to part 12.

NOTE: Ensure the slats are curved upwards when attaching them to the clips. Incorrect attachment may lead to breakage.

STEP 15

ONCE THE MATTRESS IS ON TOP, YOU CAN
OPEN & CLOSE THE BED SAFELY



! Do not fully open the adjustable part of the support legs. Please leave at least 1-2cm of space between the legs and the floor.

X DO NOT
PUSH DOWN ON ONE
OR EITHER SIDE

✓ PUSH DOWN FROM
THE MIDDLE USING
BOTH HANDS

Step 15:

Once all the nuts and bolts are tightened firmly, the first time you close the lifting mechanism, push down with extra pressure to force open the seals on the pistons.

This will feel like a lot of pressure, so be firm and it will close!

NOTE: The gaslift function works when you have a mattress on it. If you don't have a mattress on it, there is a possibility it will not stay down.

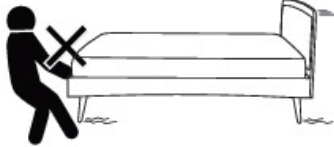
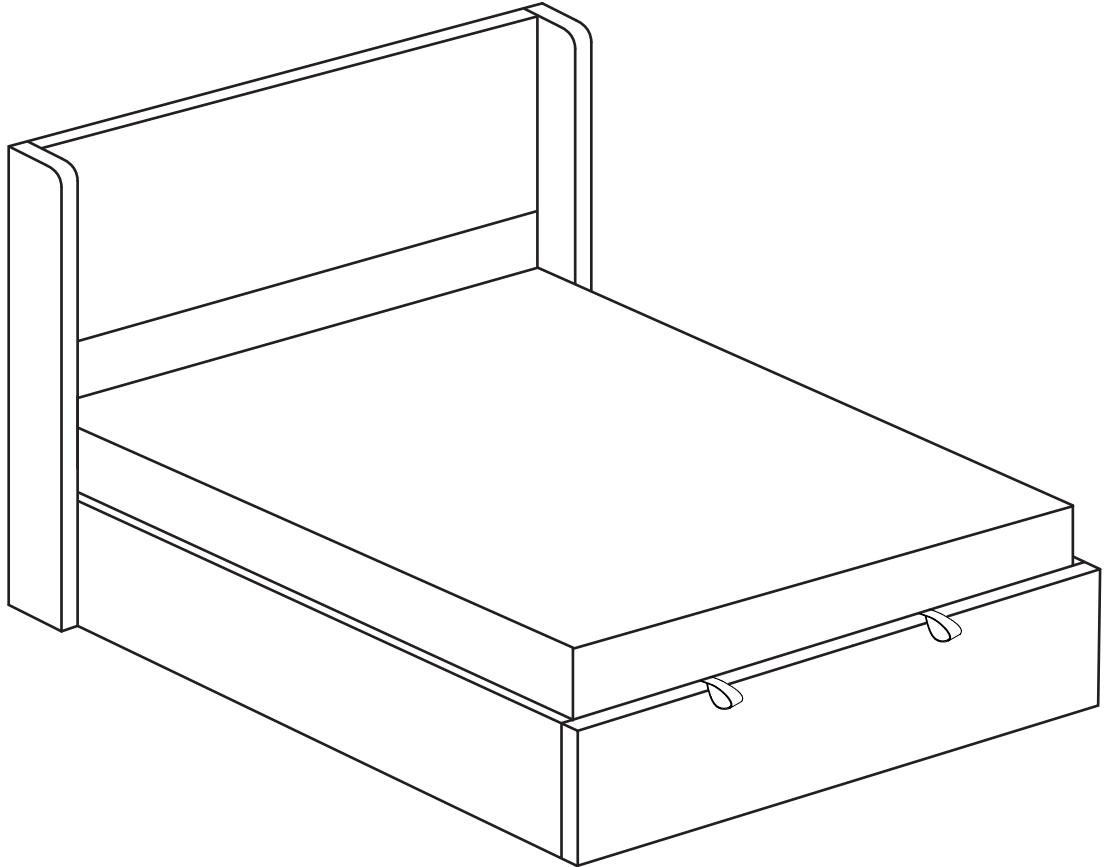
STEP 16



SAFETY WARNING: Please do not allow children or pets inside the storage area.



SAFETY WARNING: Please be careful when lifting the bed frame. Only lift with the mattress on top. To be operated by adults only.



DO NOT DRAG BED, ALWAYS LIFT WITH AT LEAST TWO PEOPLE BEFORE MOVING



SAFETY WARNING: Please do not press down on the mattress when the bed frame is in the lift up position. The bed frame top must only be closed by using both center handles.

