

Installation & Assembly

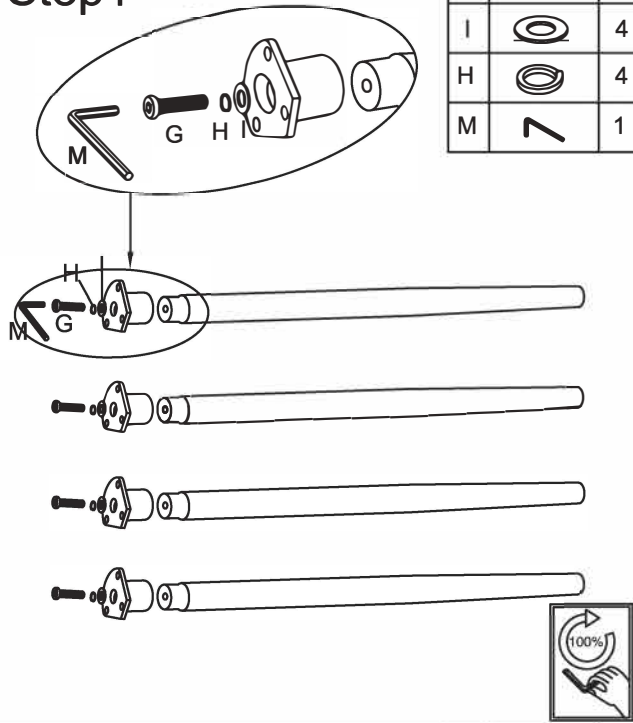


Attention: Please Tear The Table Top Cover Off Until Finish The Full Assemble Step To Avoid Scratching.

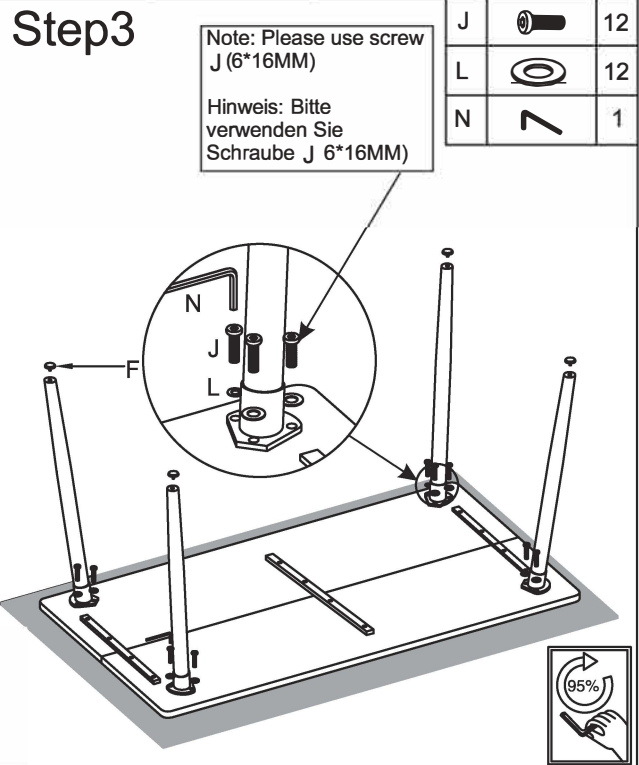
Maintenance: Use the Wet Cloth To Make It Clear IF Dirty.

Ax2 	Bx4 	Cx4 	Dx2 	Mx1 	Nx1 		
Ex1 	Fx4 	Gx4 10x35MM	Hx4 MM10	SPARE(Ersatzteile)			
				Fx1 	Gx1 10x35MM	Hx1 MM10	Ix1 10x20x1.5MM
Ix4 10x20x1.5MM	Jx12 6x16MM	Kx12 6x20MM	Lx24 10x16x1.5MM	Jx1 6x16MM	Kx1 6x20MM	Lx1 10x16x1.5MM	

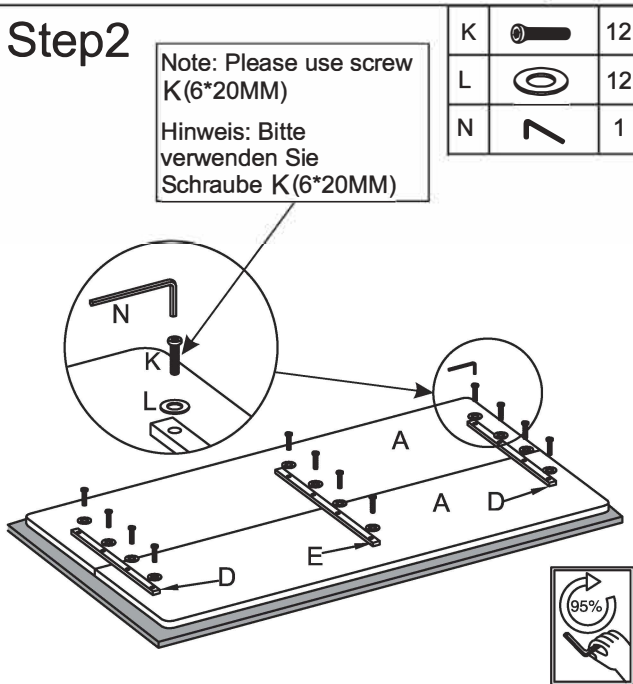
Step1



Step3



Step2



Step4

