

Instruction Manual

Please save this manual for future reference.

Product Name:	Farmhouse White 48" W Console and Entry Table







his product has been manufactured with the highest standards of safety and quality.

PLEASE READ ALL INSTRUCTIONS BEFORE ASSEMBLY.

Unpack all parts from the packaging inside the carton to ensure there are no missing or damaged parts. Do not attempt to assemble or use the product if any parts are missing or damaged.

CARTON CONTENTS:

Hardware:


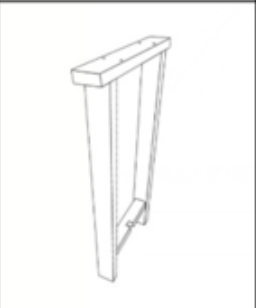



Ⓐ X1	Ⓑ X8	Ⓒ X2	Ⓓ X8	Ⓔ X2	Ⓕ X1
 Ø5	 Ø8×40 mm	 Ø6×45 mm	 M8x18	 M6x16	 Ø4

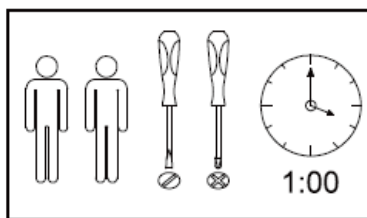
Instruction Manual

Please save this manual for future reference.

Product Name:	Farmhouse White 48" W Console and Entry Table

Panels:

① X1	② X2	③ X2	④ X2	⑤ X1
				



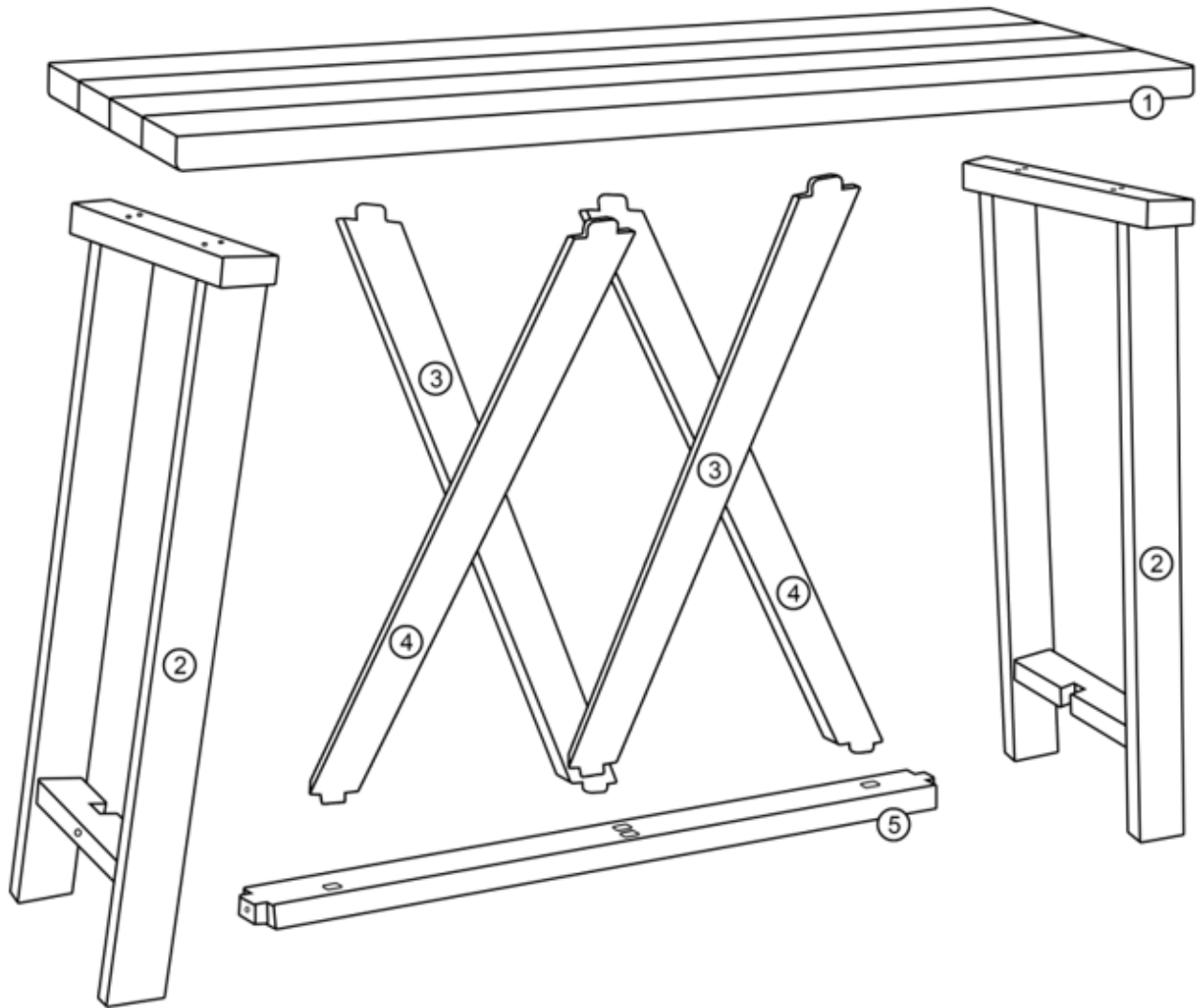
Tools required for assembly: Allen Wrench (if using power tools, use with care)

Instruction Manual

Please save this manual for future reference.

Product Name:	Farmhouse White 48" W Console and Entry Table

Assembly:






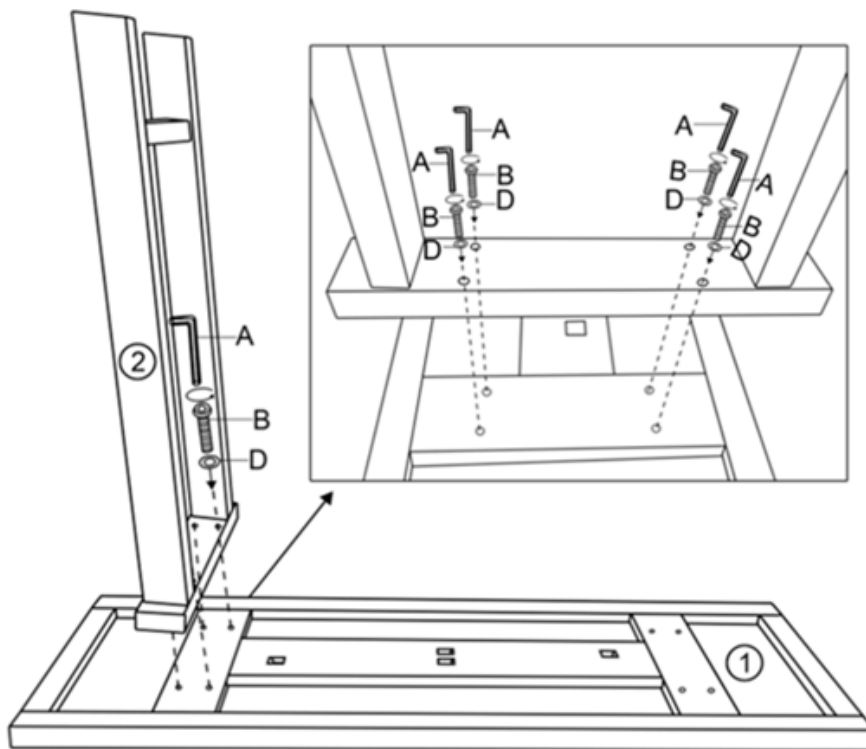
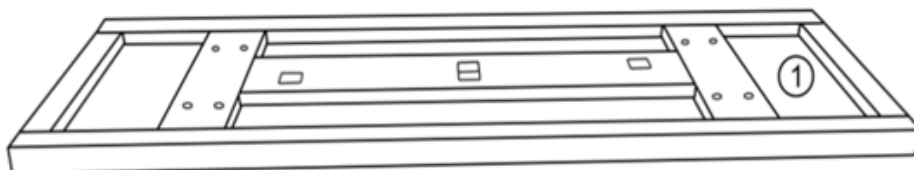
Instruction Manual

Please save this manual for future reference.

Product Name:	Farmhouse White 48" W Console and Entry Table

Step 1 – Place the tabletop (pane 1) upside down on a soft surface to prevent scratching the top. Assemble the ladder leg 2 to panel 1 with hardware B and D.

Ⓐ X1	Ⓑ X4	Ⓓ X4
		

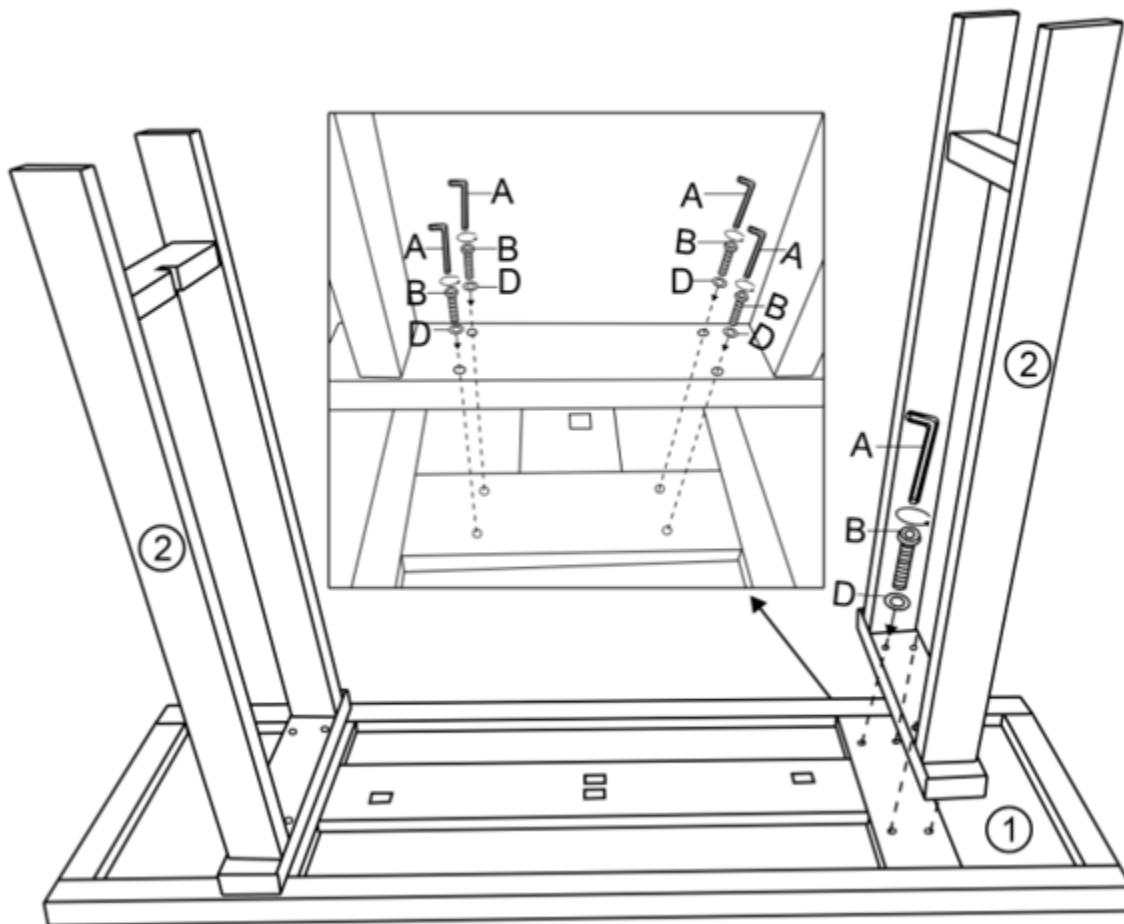


Instruction Manual

Please save this manual for future reference.

Product Name:	Farmhouse White 48" W Console and Entry Table

Step 2: Assemble the other ladder leg 2 to panel 1 with hardware B and D. The legs should both be angled outwards.

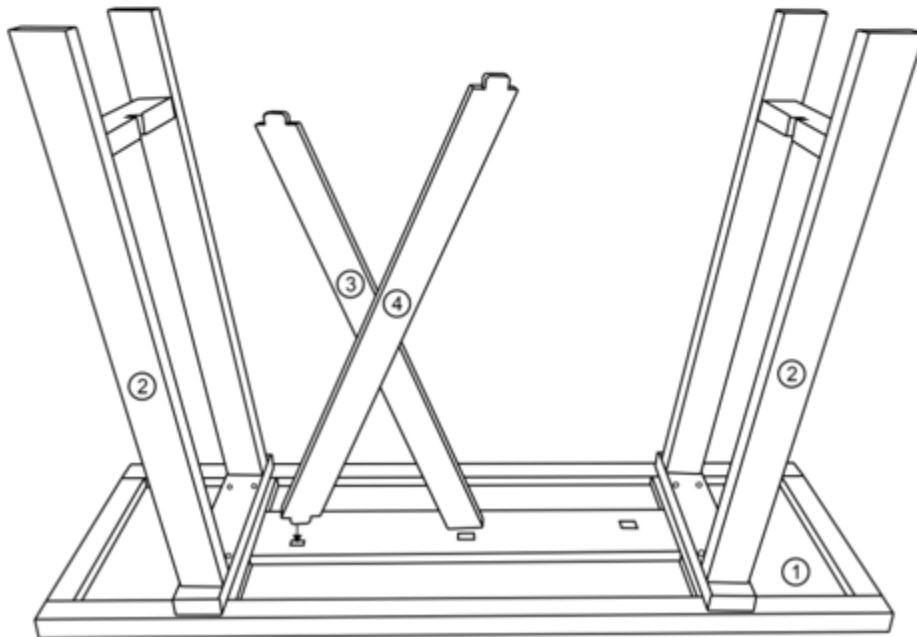
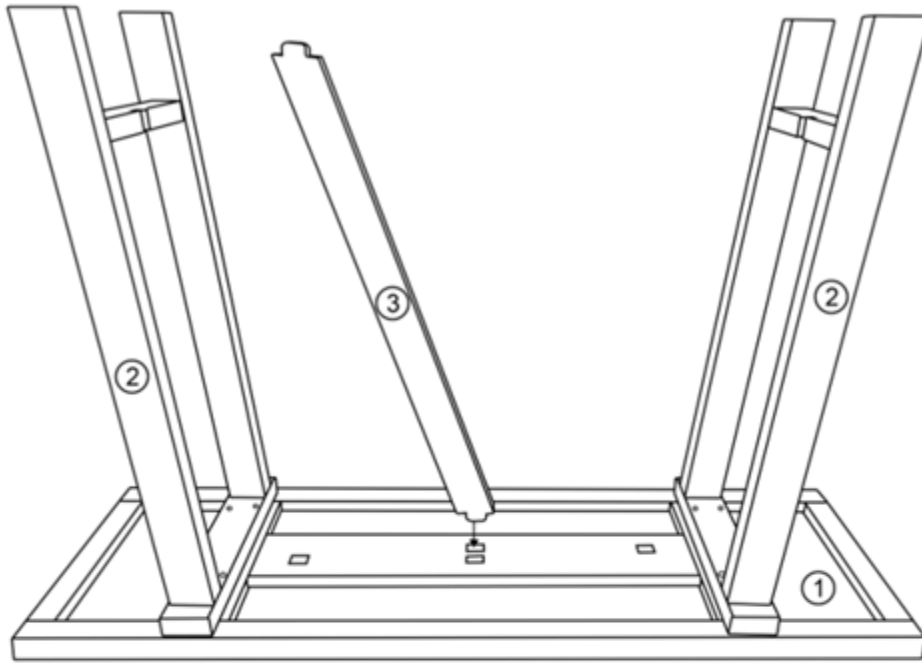


Instruction Manual

Please save this manual for future reference.

Product Name:	Farmhouse White 48" W Console and Entry Table

Step 3: Insert panel 3 into the middle section of the tabletop underside. And panel 4 into the left side of the tabletop, crossing it over to panel 3

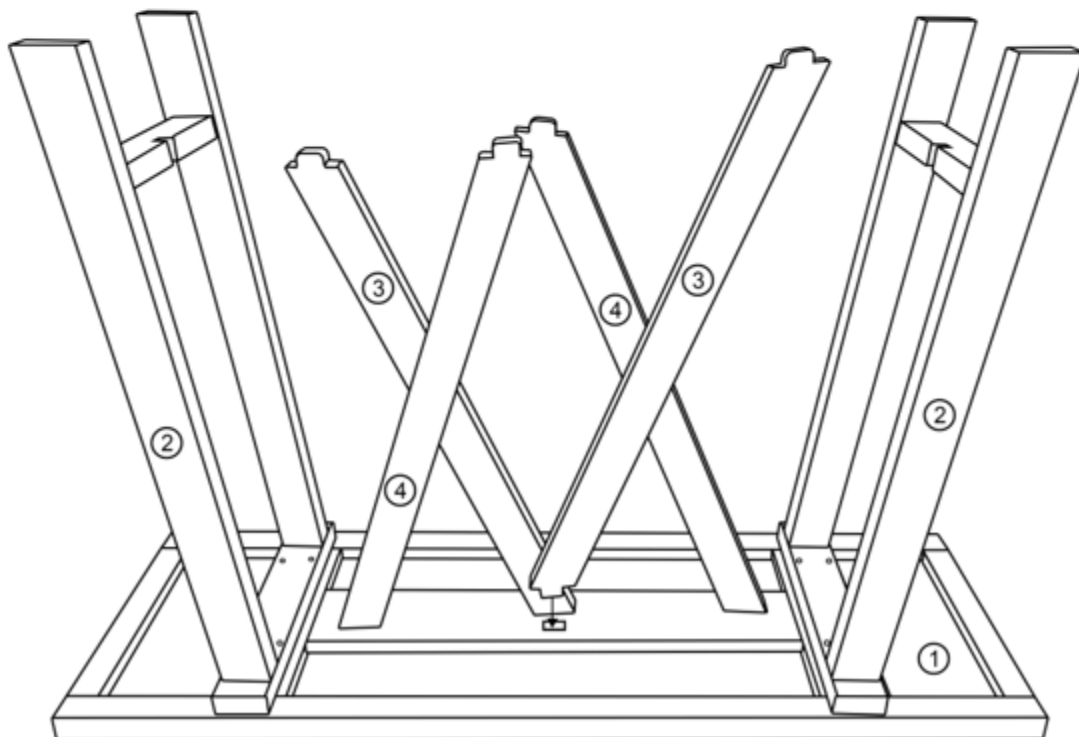
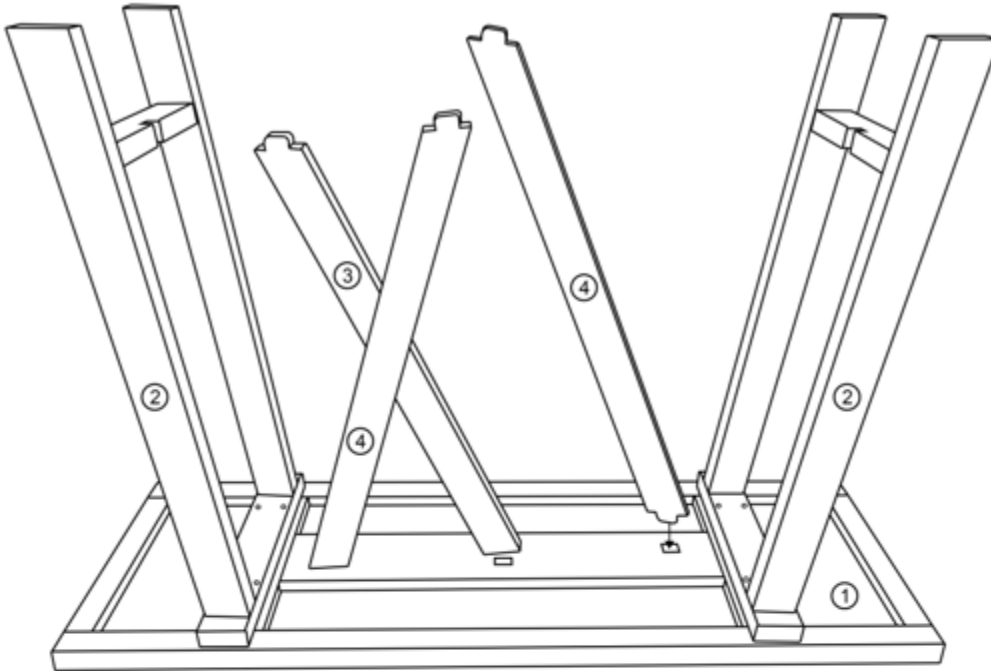


Instruction Manual

Please save this manual for future reference.

Product Name:	Farmhouse White 48" W Console and Entry Table

Step 4: Do the same thing on the right side of the table with second group of panels 3 and 4 as illustrated below.






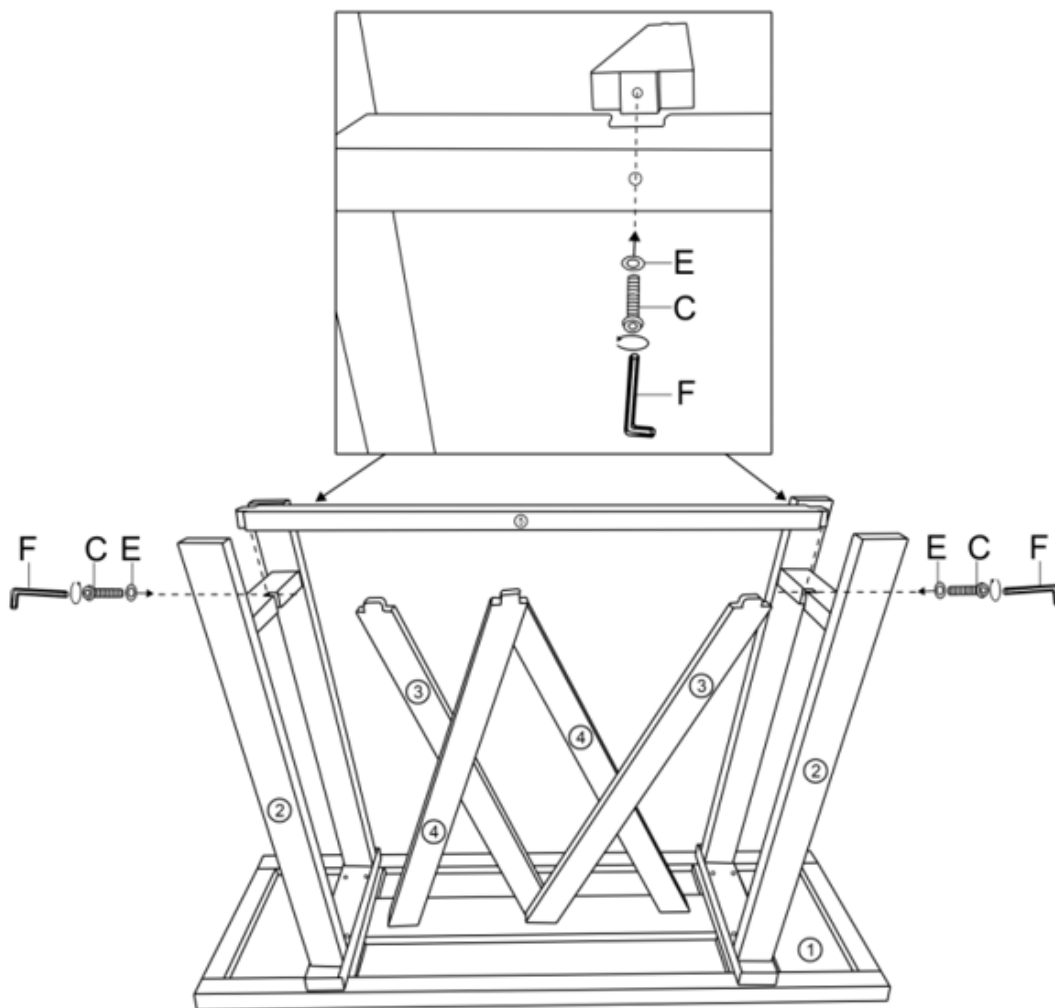
Instruction Manual

Please save this manual for future reference.


Product Name:	Farmhouse White 48" W Console and Entry Table

Step 5: Line up the crossbar (panel 5) with the center notches in the legs and secure with the hardware C and E. Secure panels 3 and 4 into the notches of the crossbar (panel 5).

ⓕ X1	Ⓒ X2	Ⓔ X2
		



With 2 people, carefully flip the table upright and gently shake to ensure it is stable. Tighten hardware as needed.

 **Warning:** DO NOT sit or stand on the table as this may damage the product and cause serious bodily injury.