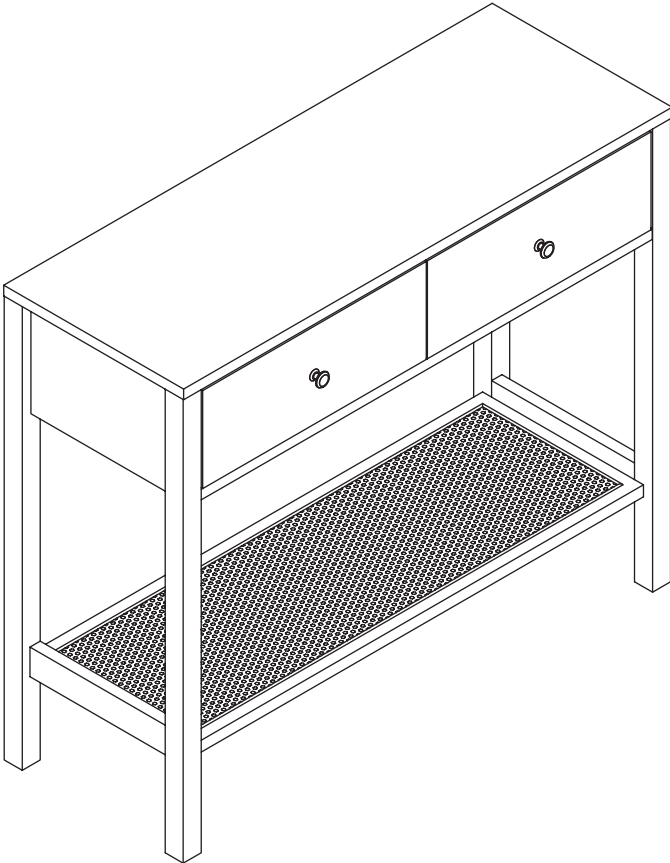


CONSOLE TABLE



CONTENTS

Safety and care advice	1
Components – parts	2
Components – fittings	3
Assembly instructions	4
Copyright	13

⚠ SAFETY AND CARE ADVICE ⚠

PLEASE READ THESE INSTRUCTIONS CAREFULLY AND KEEP FOR FUTURE REFERENCE

Warning: This unit weighs approximately 21kg. Please lift with care.

- Check you have all the components and tools listed on pages 2 and 3.
- Remove all fittings from the plastic bags and separate them into their groups.
- Keep children and animals away from the work area, small parts could choke if swallowed.
- Make sure you have enough space to layout the parts before starting.
- Do not stand or put weight on the product, this could cause damage.
- Assemble the item as close to its final position (in the same room) as possible.

·Assemble on a soft level surface to avoid damaging the unit or your floor (use opened out unit carton).



·We do not recommend the use of power drill/drivers **for inserting screws**, as this could damage the unit. Only use hand screwdrivers.

·**Safety note:** If there is any chance of this unit being pulled over by children etc. it is recommended that the unit is secured to a wall using suitable fixings .

·Dispose of all packaging carefully and responsibly.

CARE AND MAINTENANCE

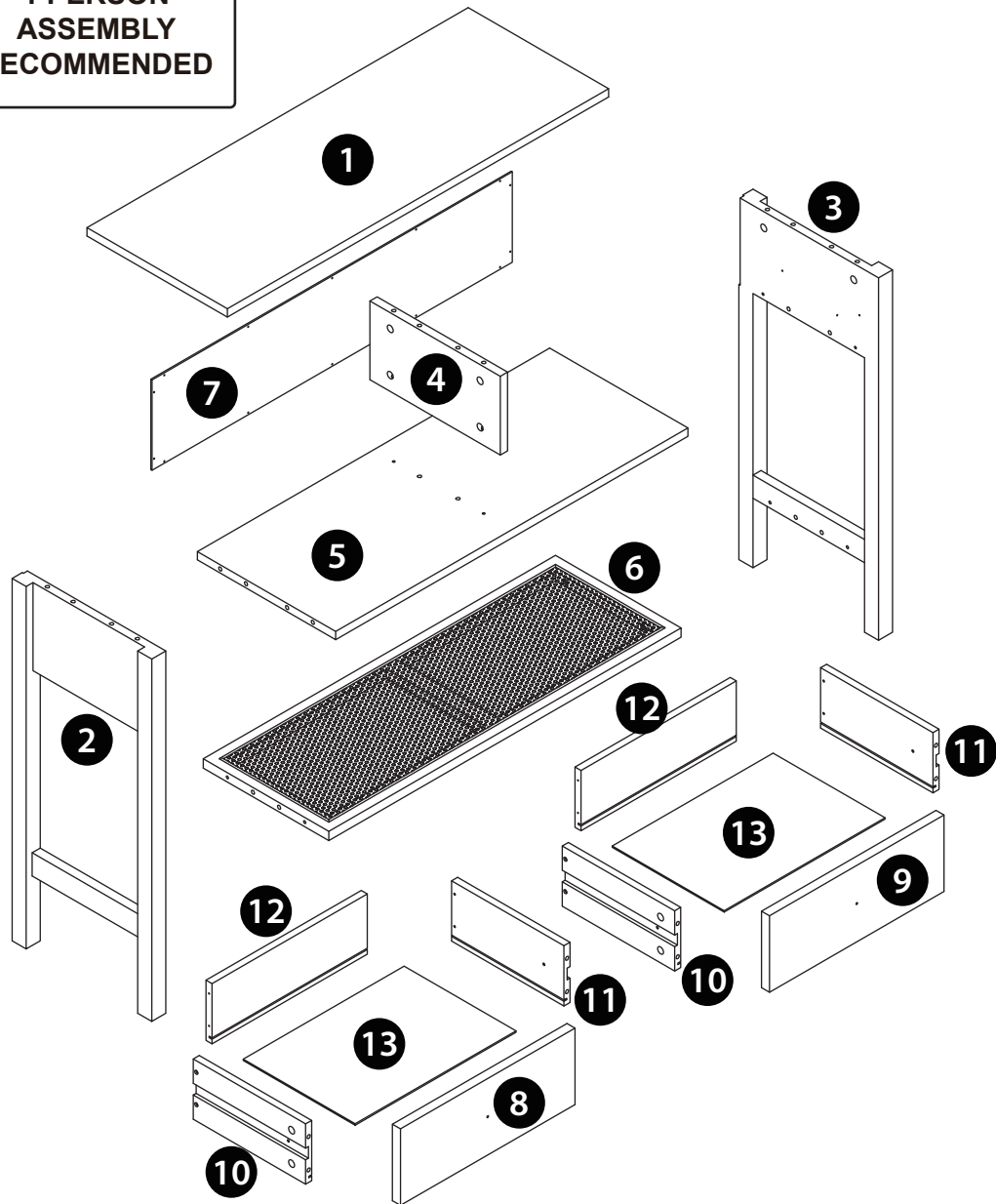
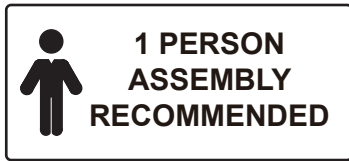
- Only clean using a damp cloth and mild detergent, do not use bleach or abrasive cleaners.
- From time to time check that there are no loose screws on this unit.

·This product should not be discarded with household waste. Take to your local authority waste disposal center.

Note: *If required the next page can be cut out and used as reference throughout the assembly. Keep this page with these instructions for future reference*

COMPONENTS — PARTS

Please check you have all the parts listed below:



PARTS LIST

1	Top Panel	x1	8	Drawer Left Front Panel	x1
2	Left Side Panel	x1	9	Drawer Right Front Panel	x1
3	Right Side Panel	x1	10	Drawer Right Side Panel	x2
4	Middle panel	x1	11	Drawer Left Side Panel	x2
5	Bottom Panel	x1	12	Drawer Back Panel	x2
6	Bottom Shelf	x1	13	Drawer Bottom Panel	x2
7	Back Panel	x1			



COMPONENTS — FITTINGS

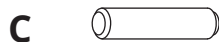
Please check you have all the fittings listed below:



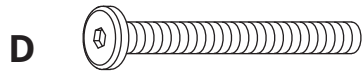
Metal Dowel x 20



Lock (Ø15x10mm) x 20



Wooden Dowel (Ø8x30mm) x 16



Screw (Ø6x50mm) x 4



Flat Washer (M6) x 4



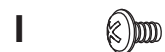
Spring Washer (M6) x 4



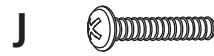
Screw (Ø3.5x30mm) x 8



Screw (Ø3.5x12mm) x 9



Metal Slide -Screw x 4



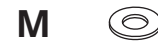
Handle Screw (Ø4x25mm) x 2



Handle x 2



Antitip Strap x 1



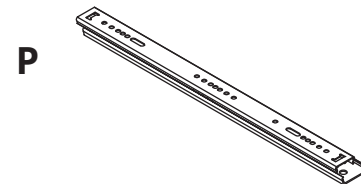
Small Flat Washer (M4) x 1



Foot pad x 4



Allen Key (M4) x 1

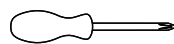


Metal Slide x 4

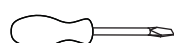


Screw (Ø2.2x12mm) x 14

TOOLS NEEDED
(We don't provide)



Phillips Screwdriver x 1

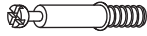




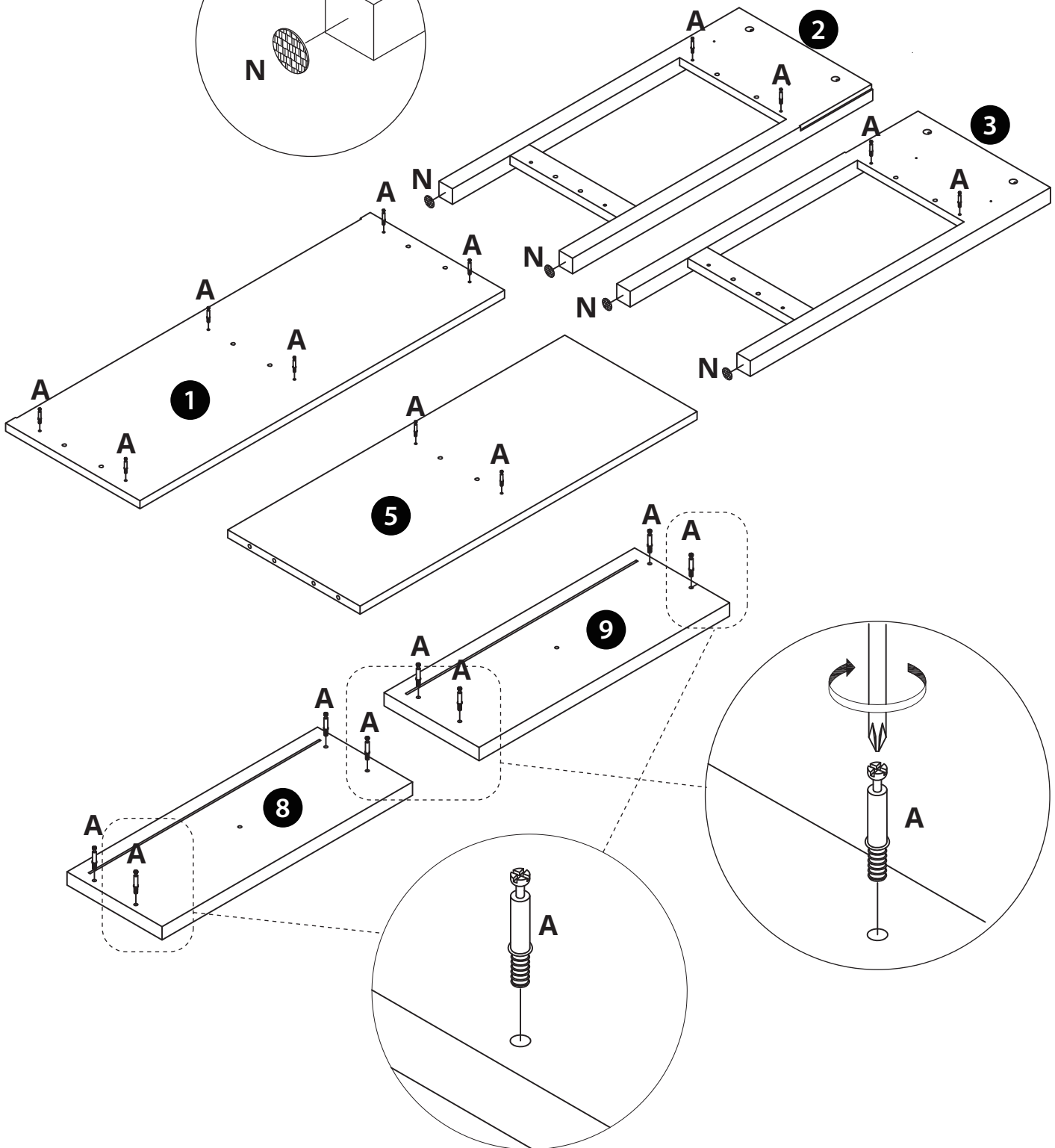
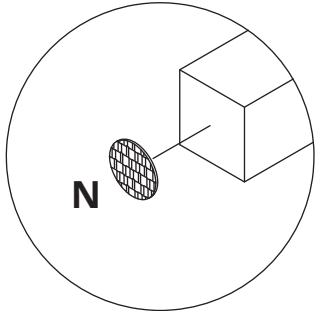
Flat head Screwdriver x 1



ASSEMBLY INSTRUCTIONS



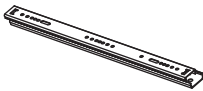
Step 1

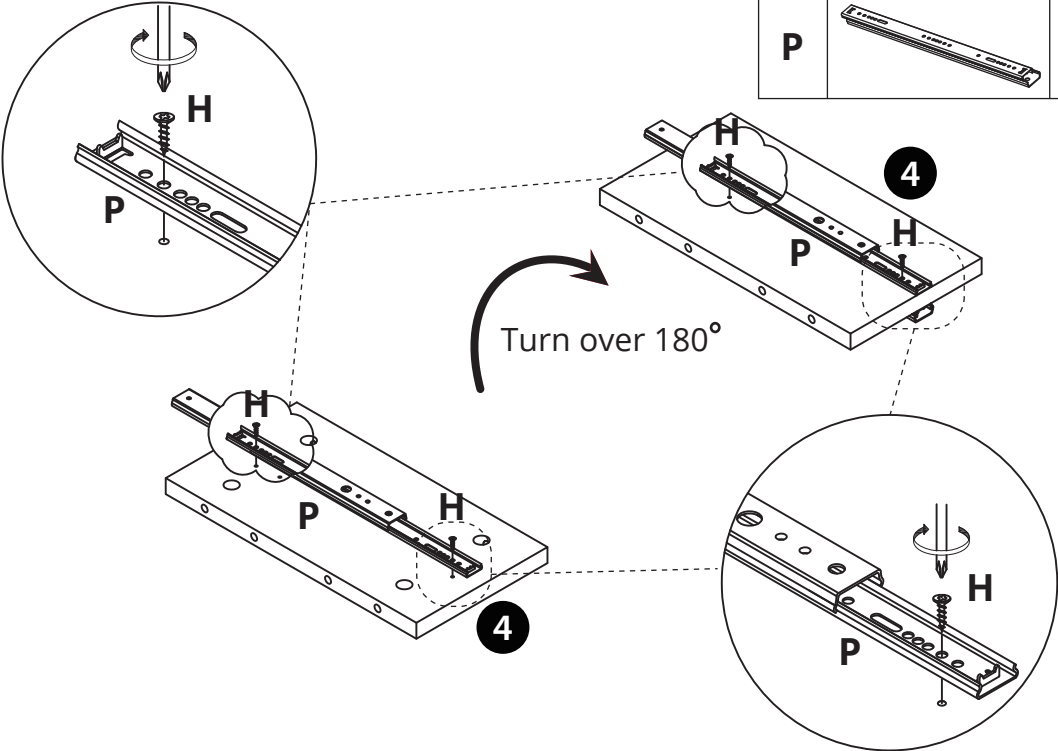
A		20	
N		4	





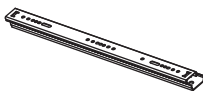
ASSEMBLY INSTRUCTIONS

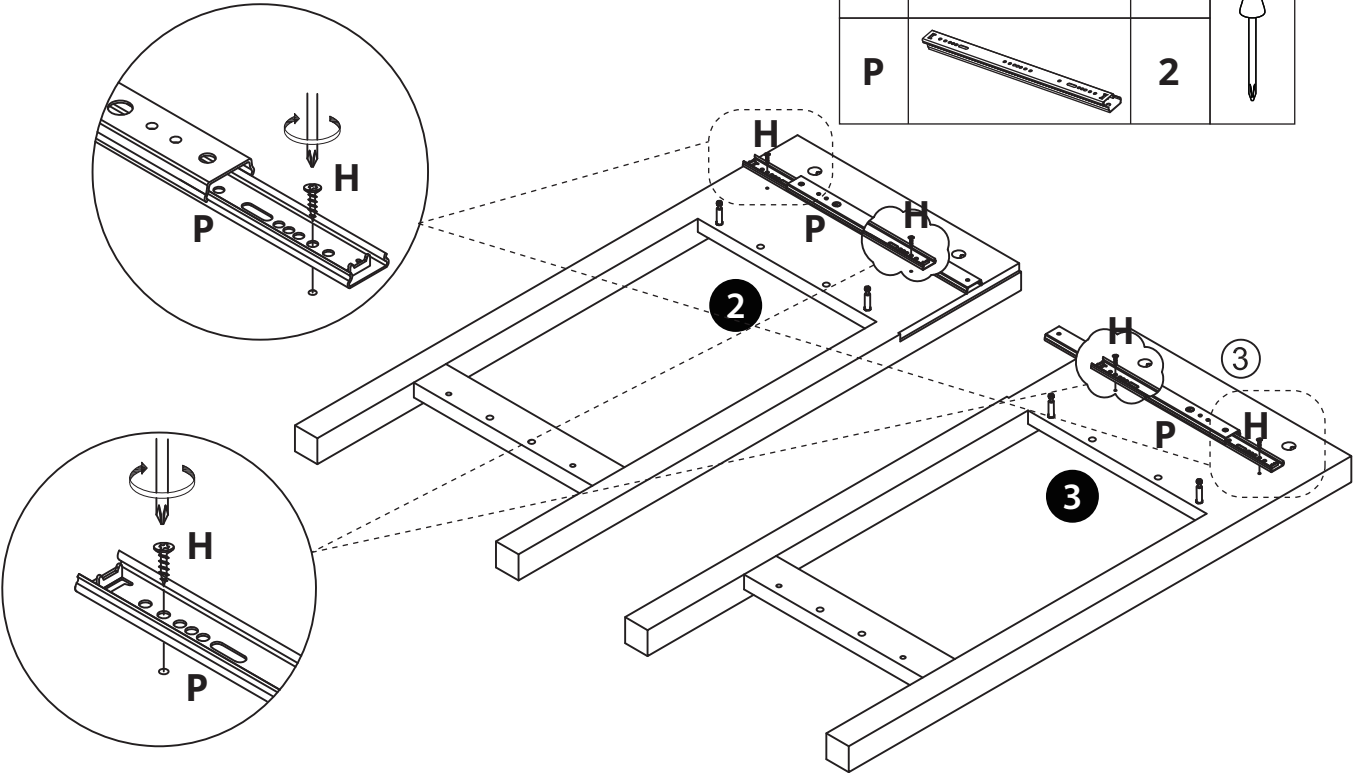
Step 2

H		4	
P		2	



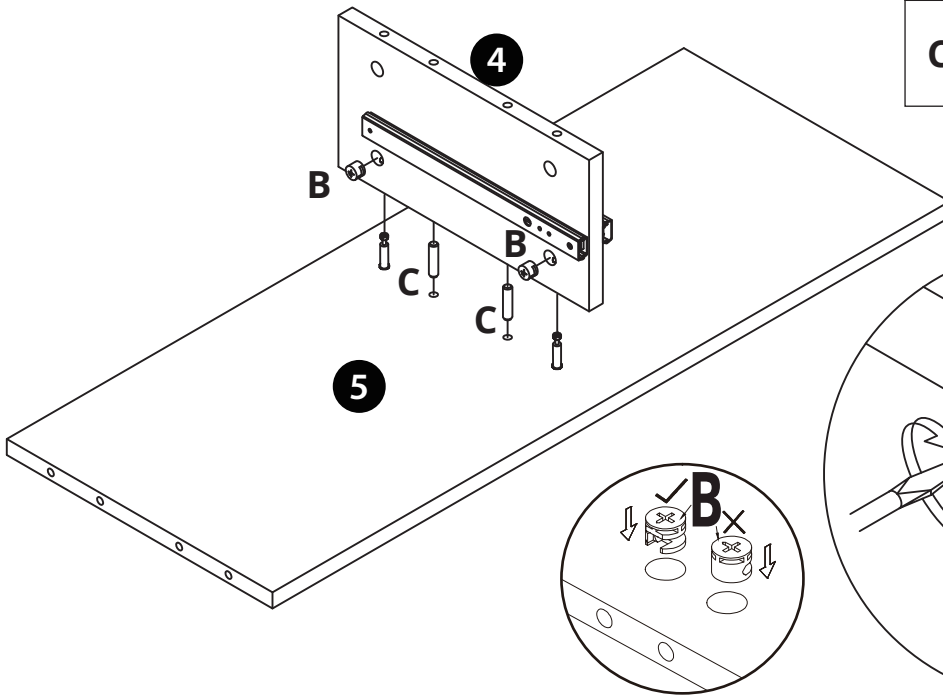
Step 3


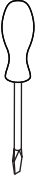
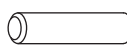
H		4	
P		2	



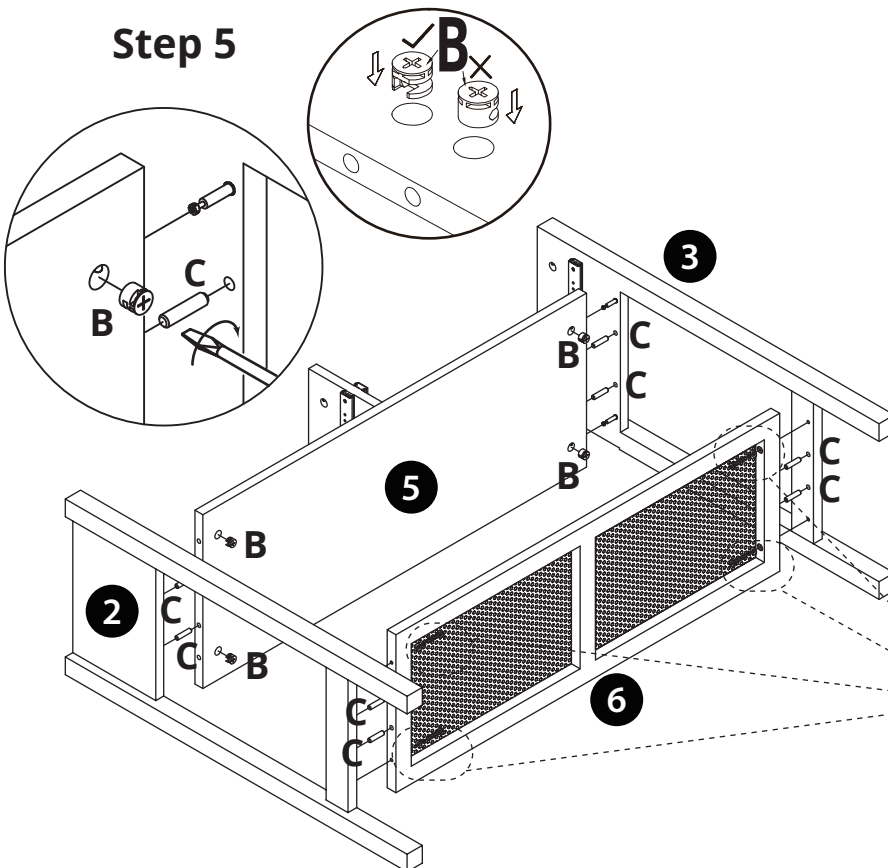
ASSEMBLY INSTRUCTIONS


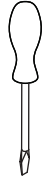
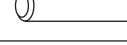
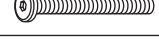



Step 4

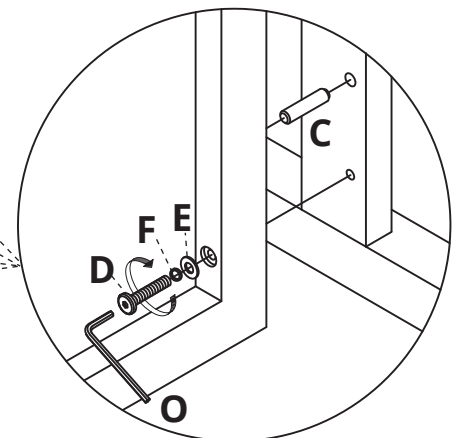


B		2	
C		2	

Step 5

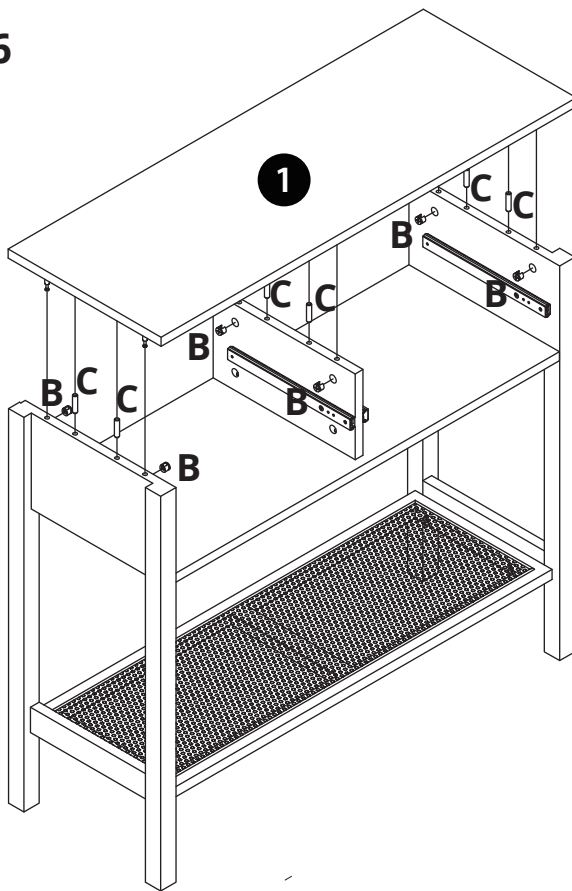


B		4	
C		8	
D		4	
E		4	
F		4	
O		1	

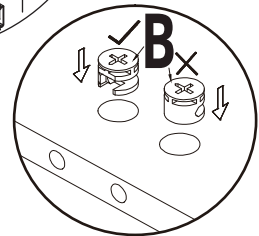
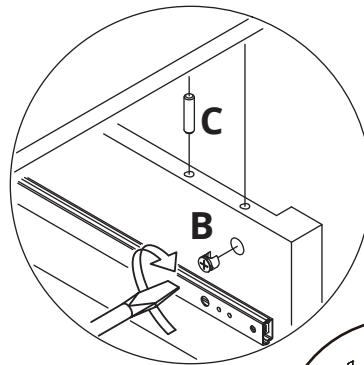


ASSEMBLY INSTRUCTIONS

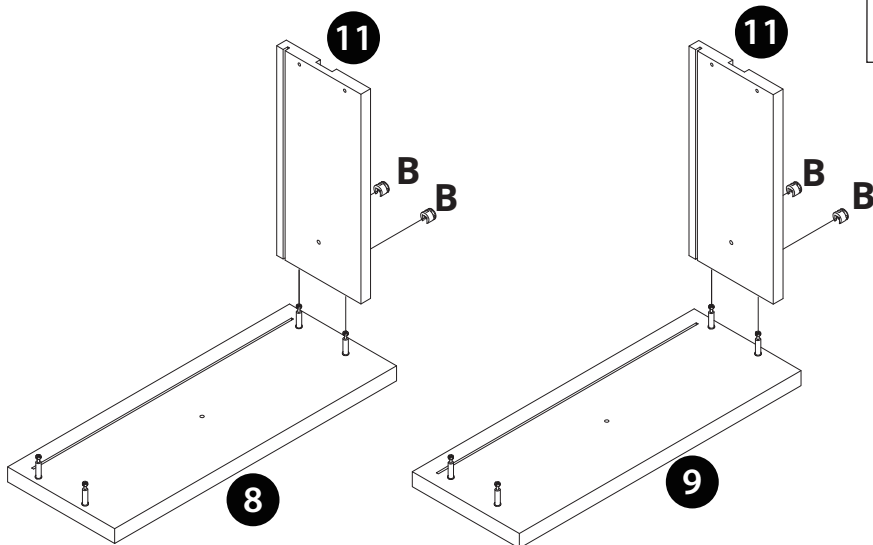
Step 6



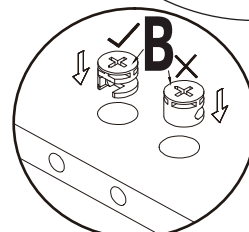
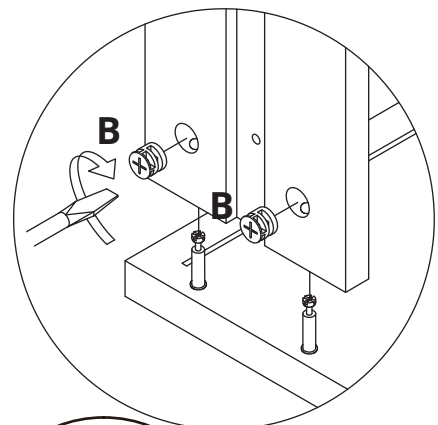
B		6	
C		6	



Step 7

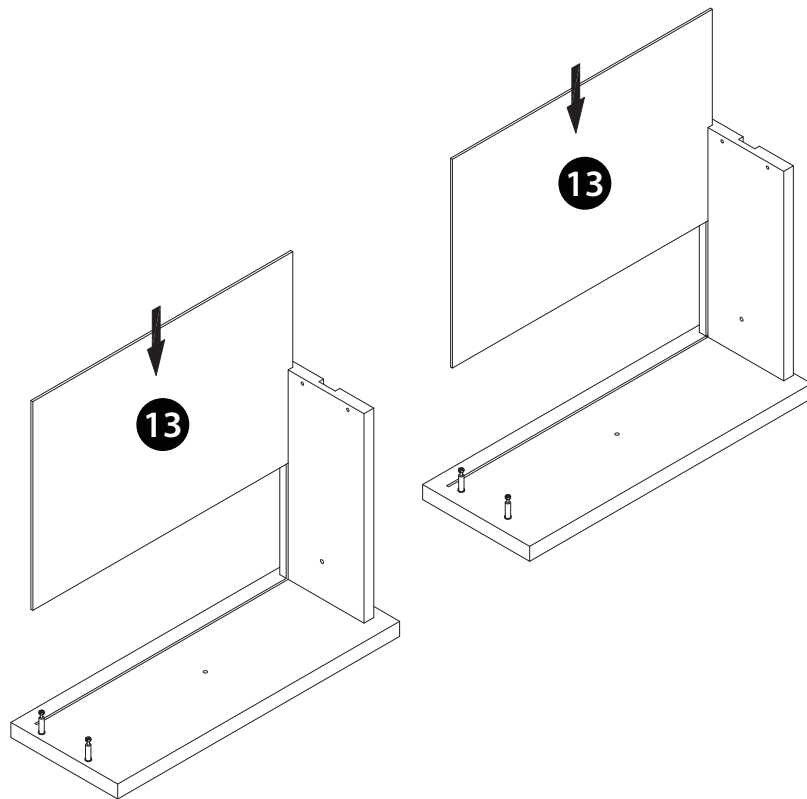


B		4	
---	--	---	--

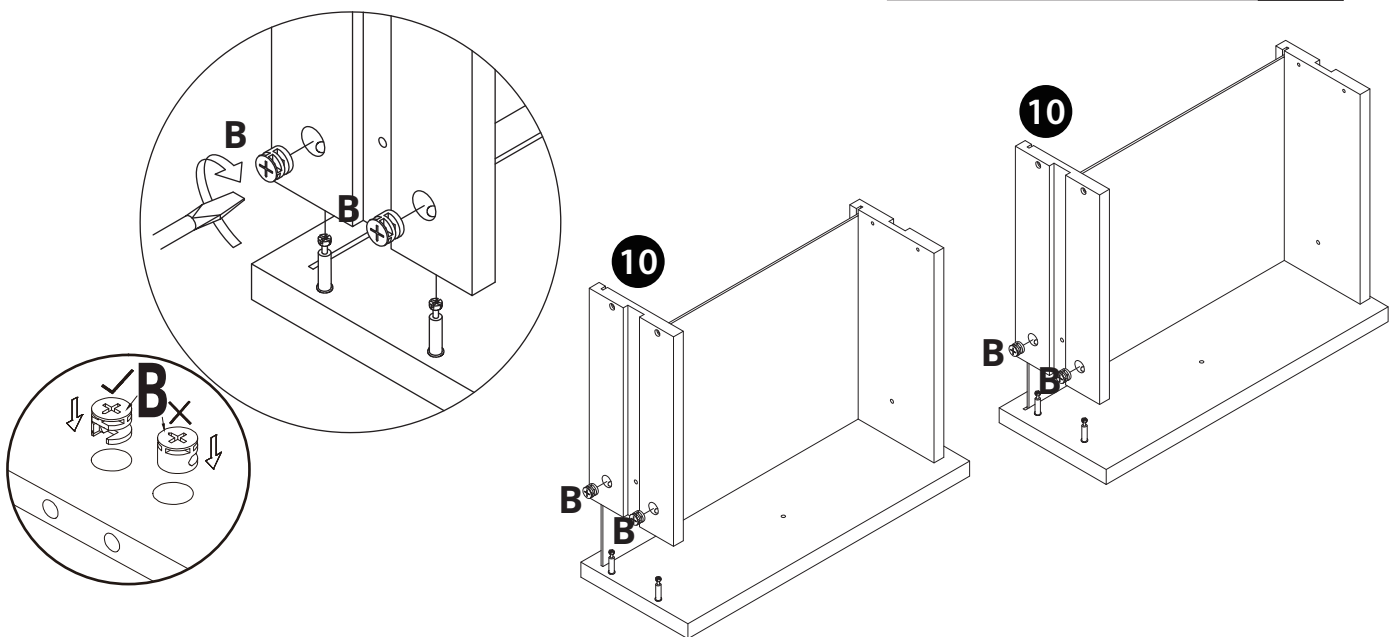
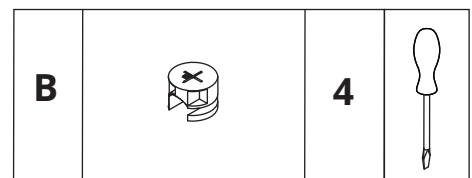


ASSEMBLY INSTRUCTIONS

Step 8

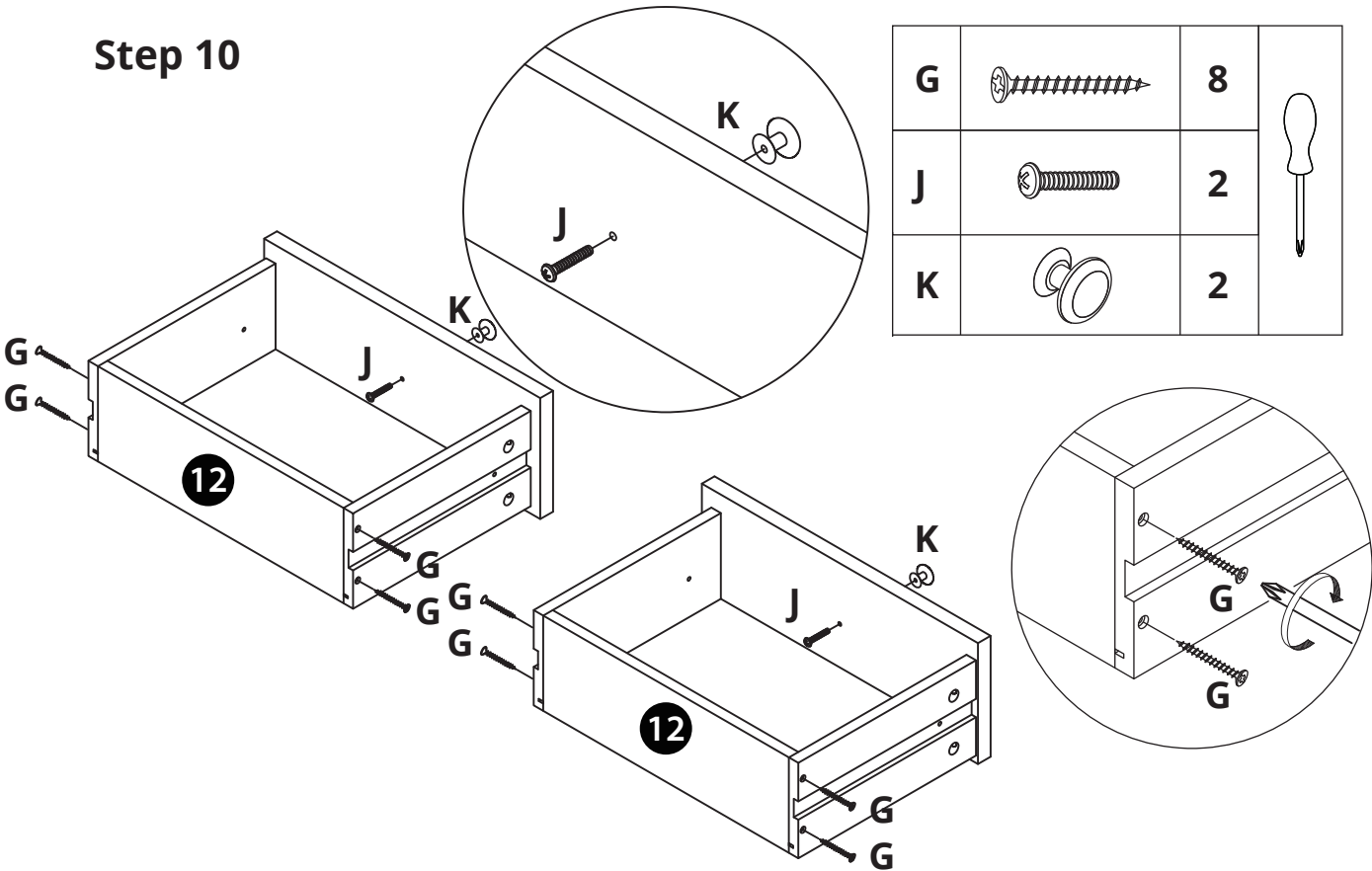


Step 9

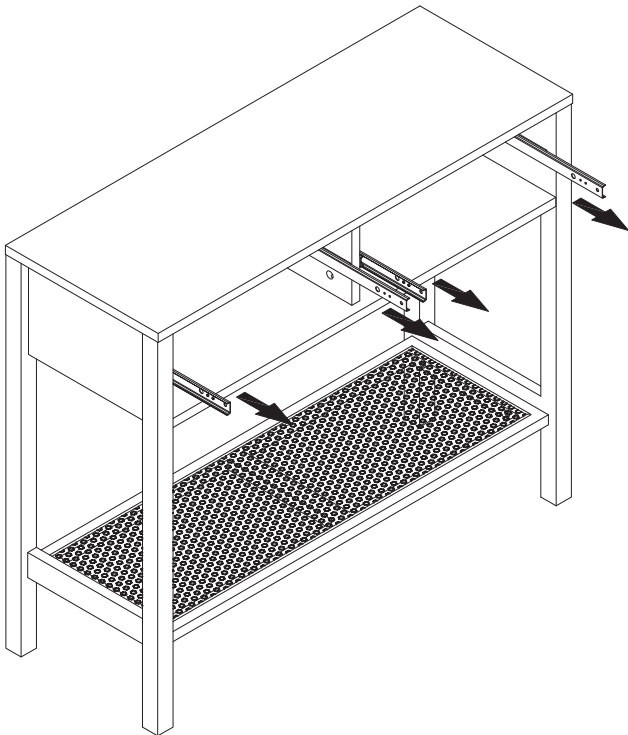


ASSEMBLY INSTRUCTIONS

Step 10

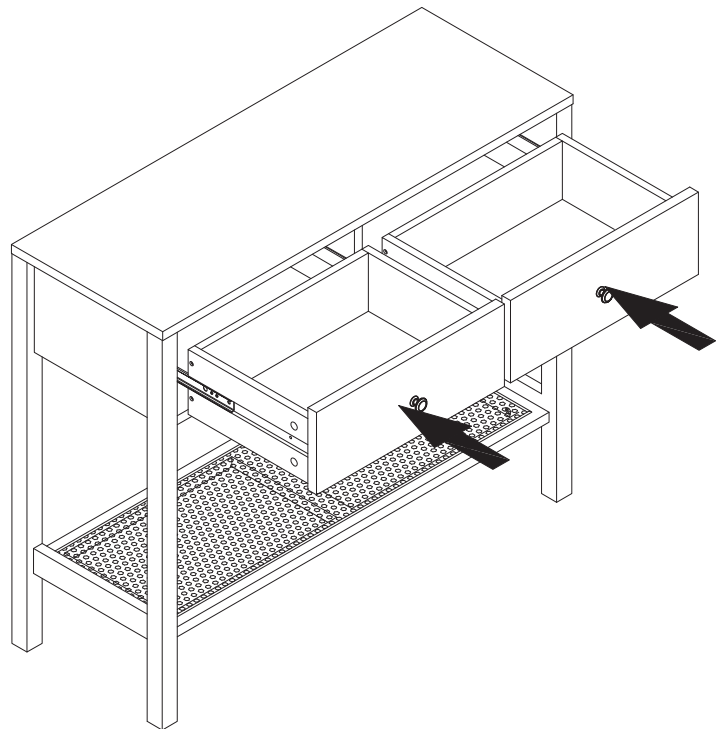
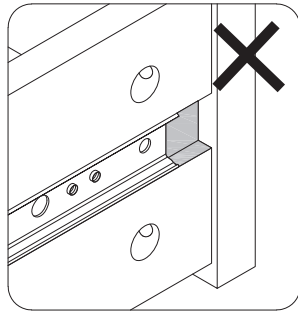
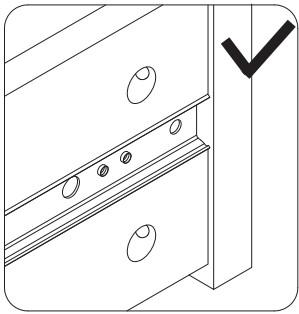


Step 11

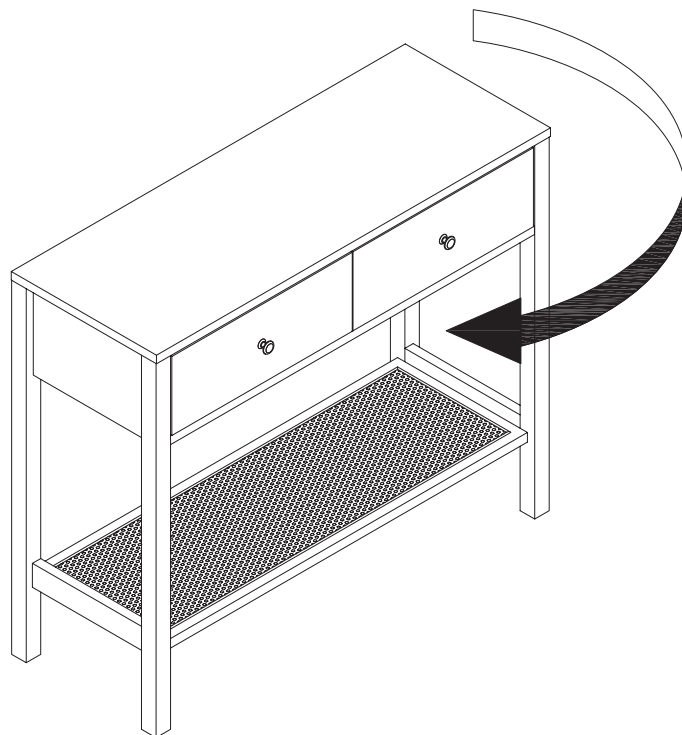


ASSEMBLY INSTRUCTIONS

Step 12



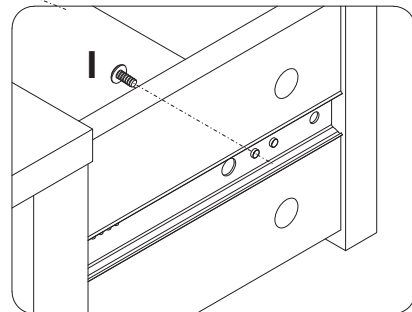
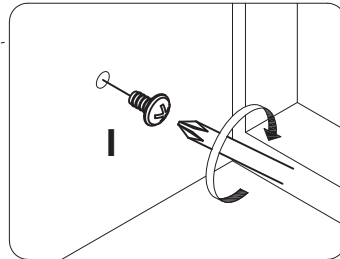
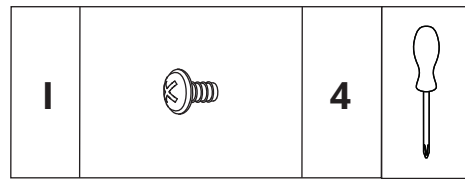
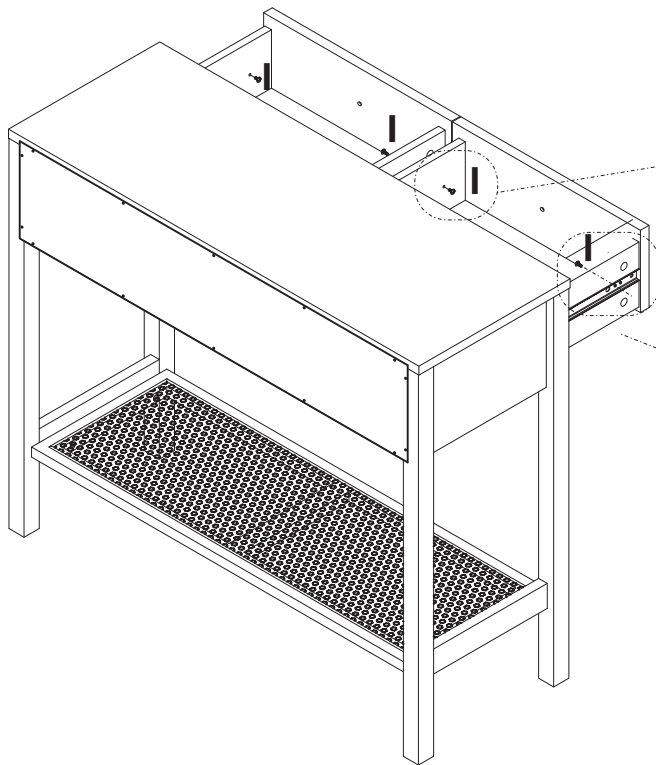
Step 13



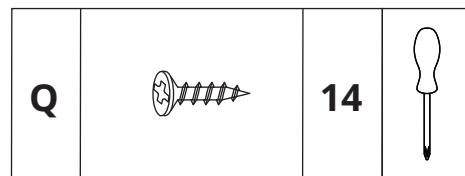
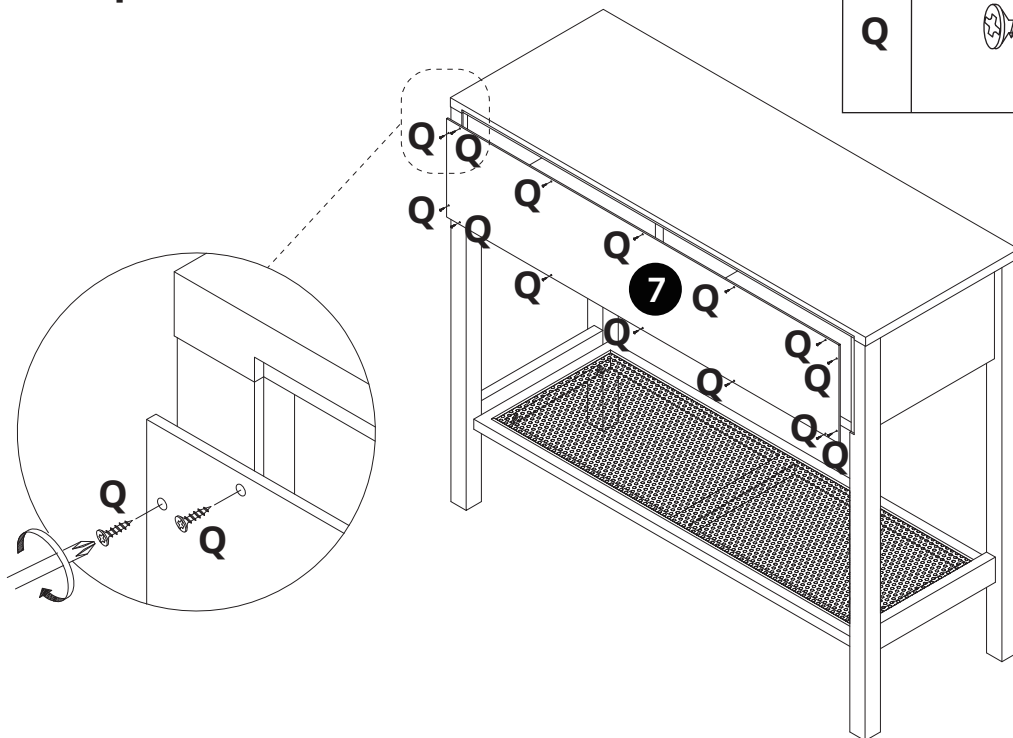
Rotate 180°

ASSEMBLY INSTRUCTIONS

Step 14

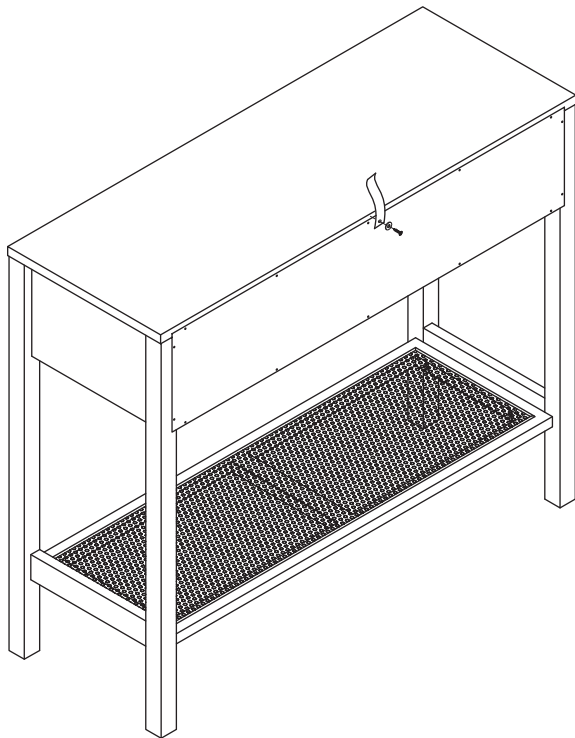


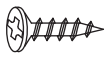



Step 15

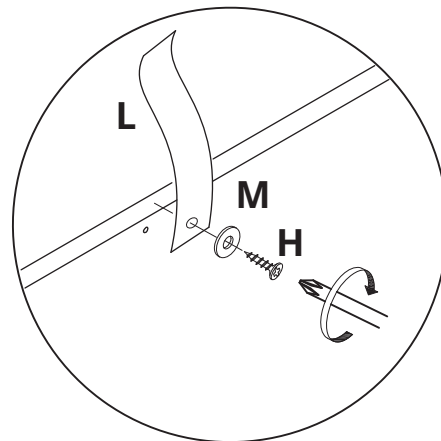


ASSEMBLY INSTRUCTIONS

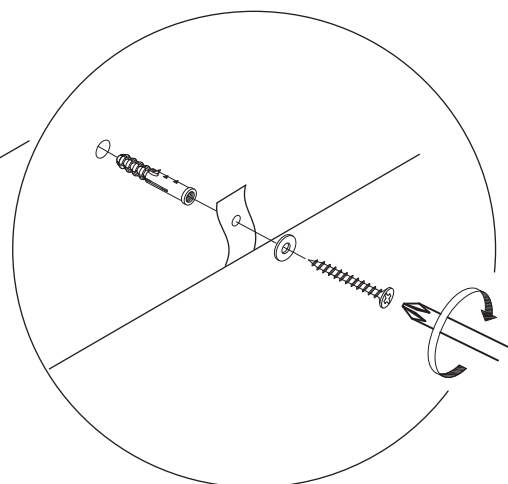
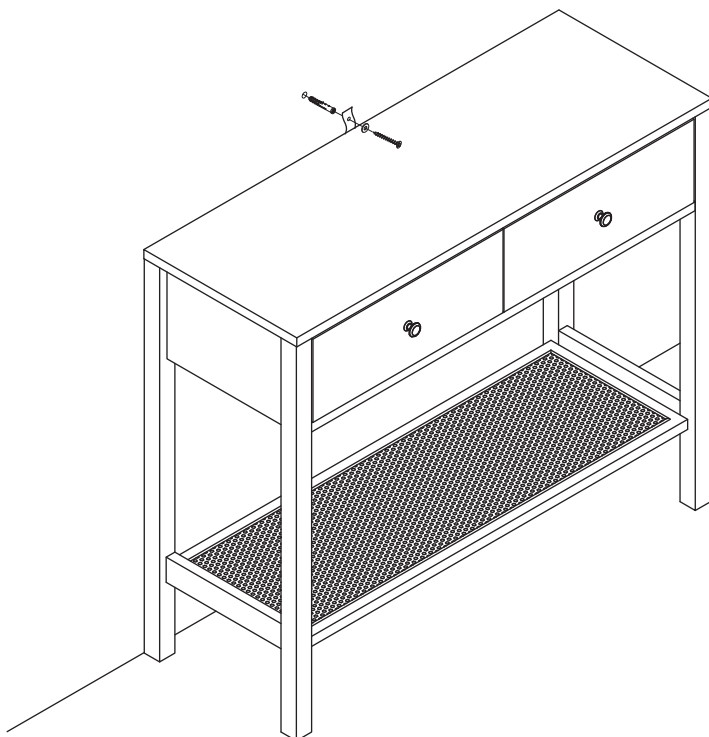
Step 16



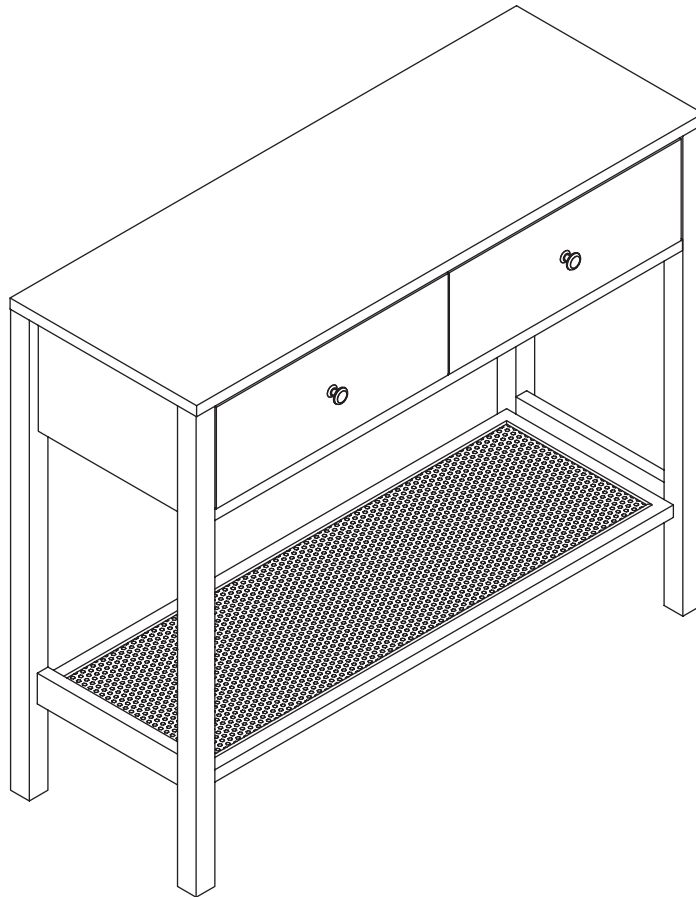
H		1	
L		1	
M		1	



Step 17



ASSEMBLY INSTRUCTIONS



Congratulations! Now you have finished assembling the product.